



US00D889329S

(12) **United States Design Patent**  
**Heinemann**

(10) **Patent No.:** **US D889,329 S**

(45) **Date of Patent:** **\*\* Jul. 7, 2020**

- (54) **REAR AUTOMOBILE BUMPER**
- (71) Applicant: **BRABUS GmbH**, Bottrop (DE)
- (72) Inventor: **Andreas Heinemann**, Burg (DE)
- (73) Assignee: **BRABUS GmbH** (DE)
- (\*\*) Term: **15 Years**
- (21) Appl. No.: **29/677,316**
- (22) Filed: **Jan. 18, 2019**
- (51) **LOC (12) Cl.** ..... **12-16**
- (52) **U.S. Cl.**  
USPC ..... **D12/169**
- (58) **Field of Classification Search**  
USPC .... D12/169, 164, 196, 171, 163, 86, 90-92;  
293/102, 113, 115, 117, 120; 296/180.1,  
296/180.2  
CPC ..... B60R 19/02; B60R 19/04; B62D 25/08  
See application file for complete search history.

- D754,575 S \* 4/2016 Varga ..... D12/169
- D801,891 S \* 11/2017 Scheinhutte ..... D12/169
- D805,444 S \* 12/2017 Villamizar ..... D12/169
- D817,822 S \* 5/2018 Platto ..... D12/169
- D863,148 S \* 10/2019 Woodhouse ..... D12/169
- D863,149 S \* 10/2019 Luke ..... D12/169
- D873,732 S \* 1/2020 Gillam ..... D12/169

\* cited by examiner

*Primary Examiner* — Melody N Brown

(74) *Attorney, Agent, or Firm* — McCarter & English, LLP

(57) **CLAIM**

The ornamental design for a rear automobile bumper, as shown and described.

**DESCRIPTION**

FIG. 1 is a perspective view of a rear automobile bumper showing my new design;  
FIG. 2 is a right side view thereof;  
FIG. 3 is a left side view thereof;  
FIG. 4 is a front view thereof;  
FIG. 5 is a rear view thereof;  
FIG. 6 is a top view thereof; and,  
FIG. 7 is a bottom view thereof.

**1 Claim, 7 Drawing Sheets**

- (56) **References Cited**  
U.S. PATENT DOCUMENTS  
D713,305 S \* 9/2014 Sperling ..... D12/169  
D721,621 S \* 1/2015 Platto ..... D12/169

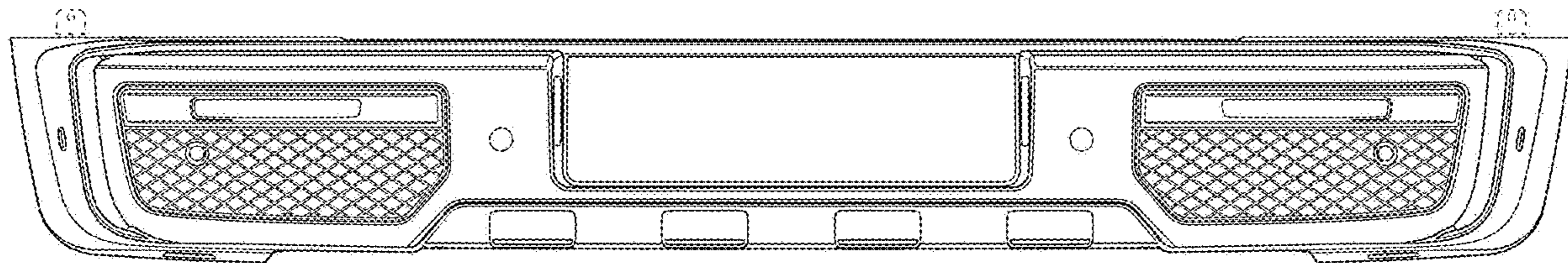


FIG. 1

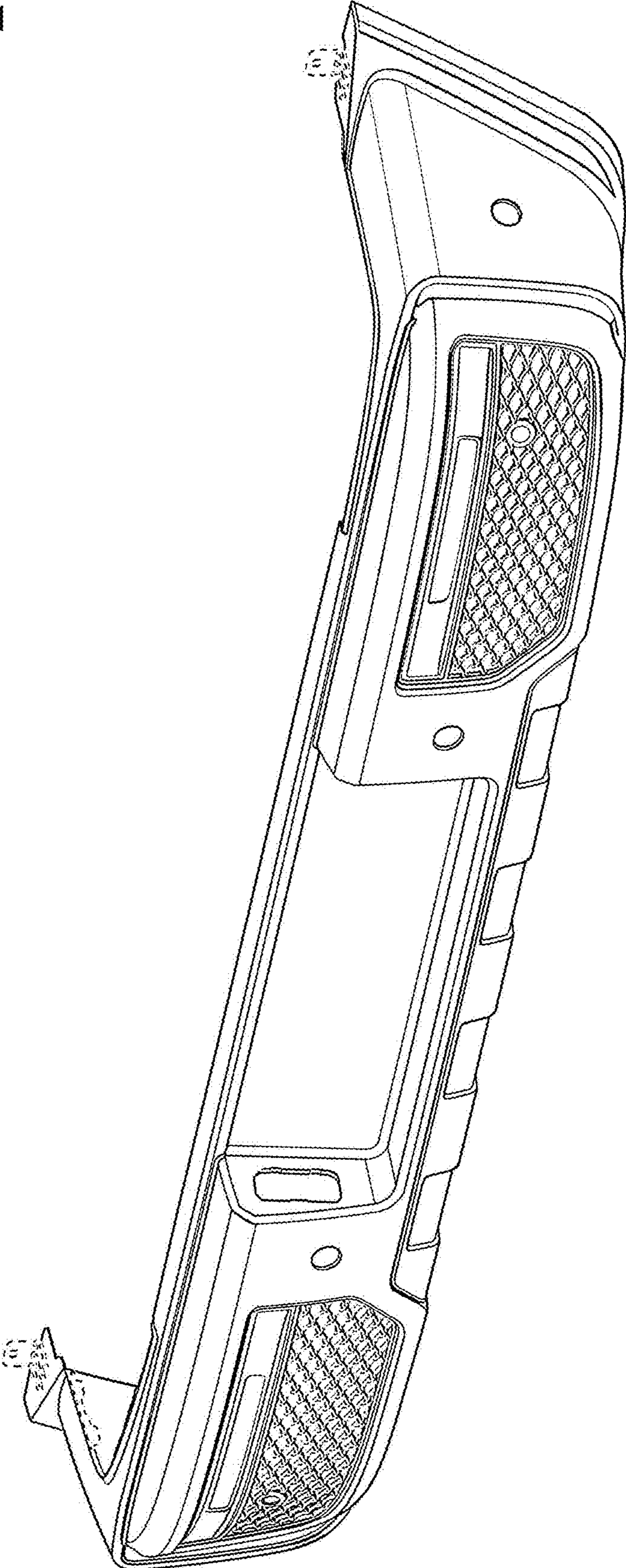


FIG. 2

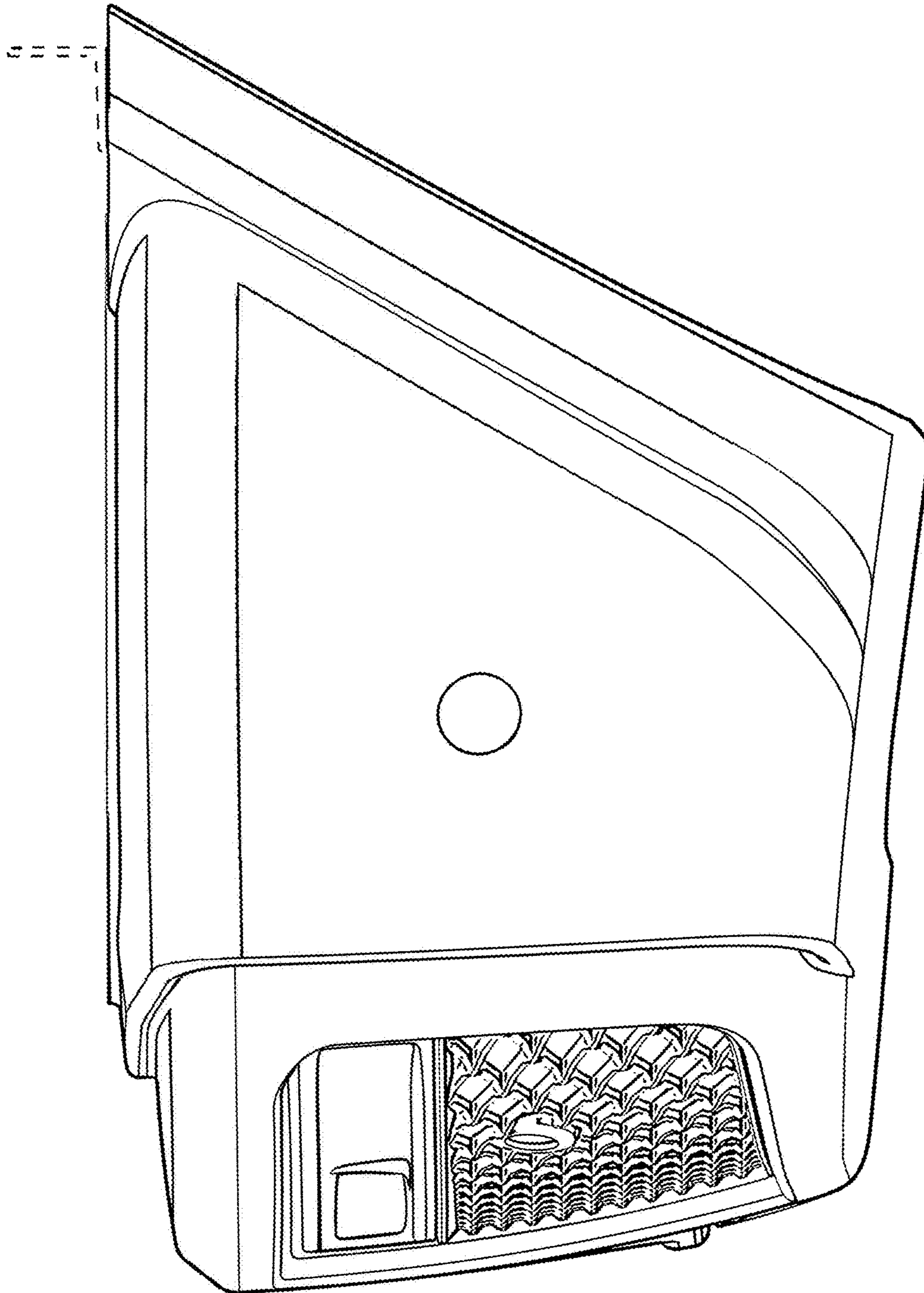




FIG. 3

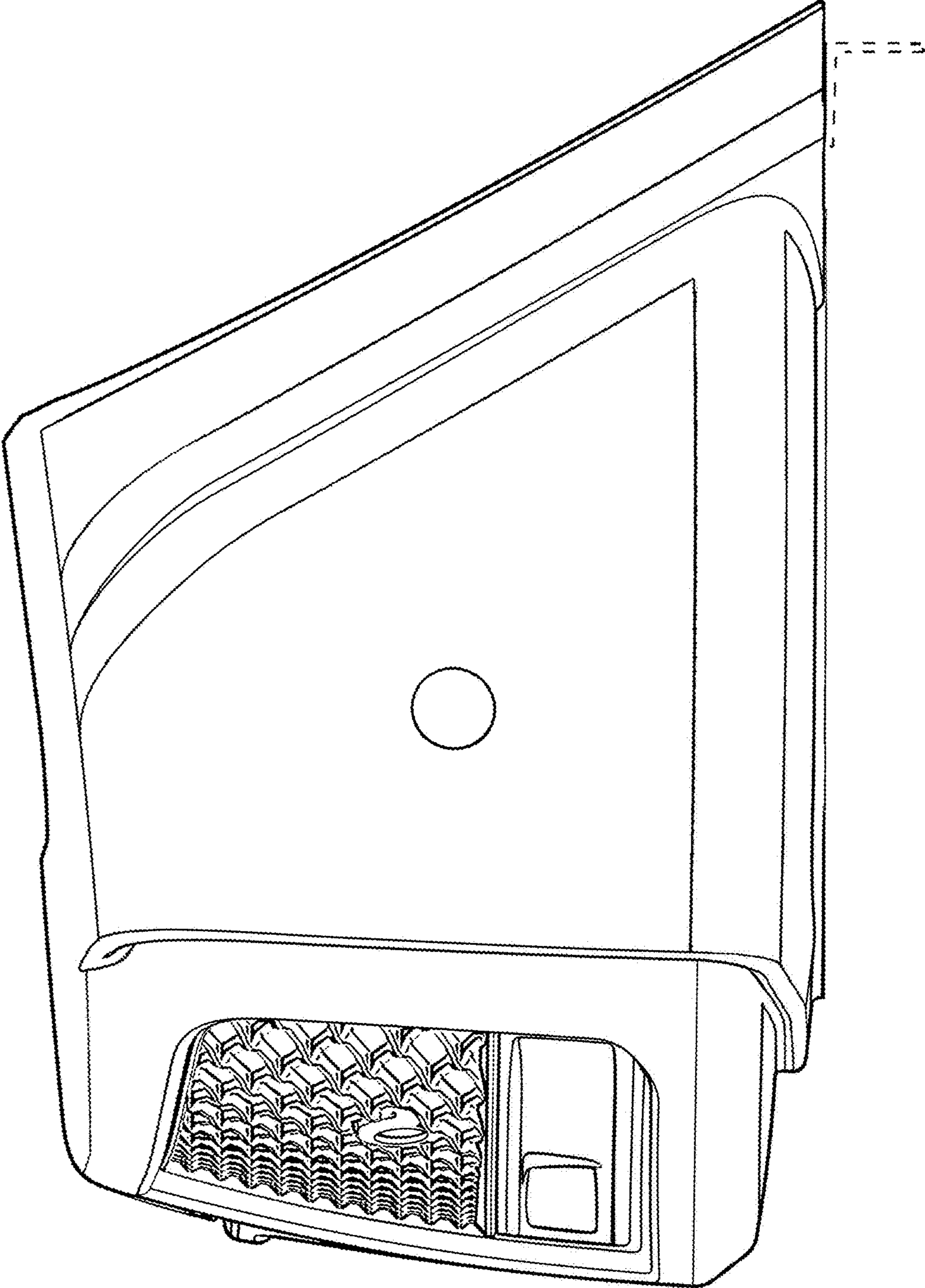


FIG. 4

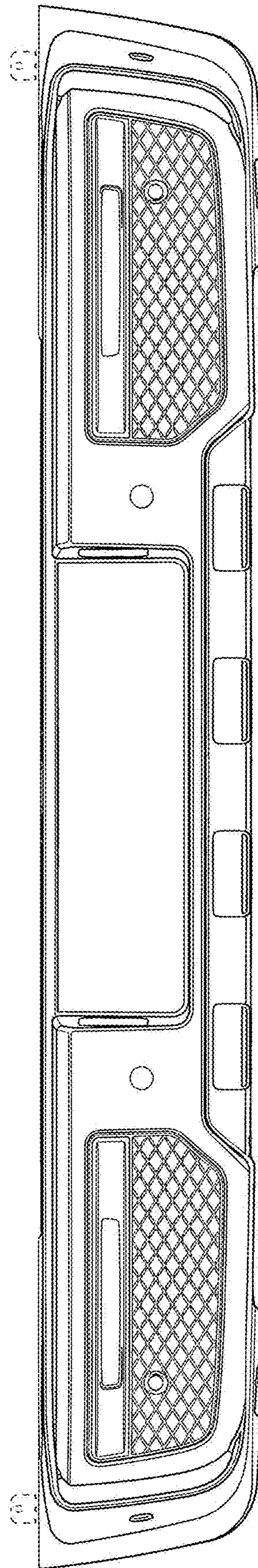


FIG. 5

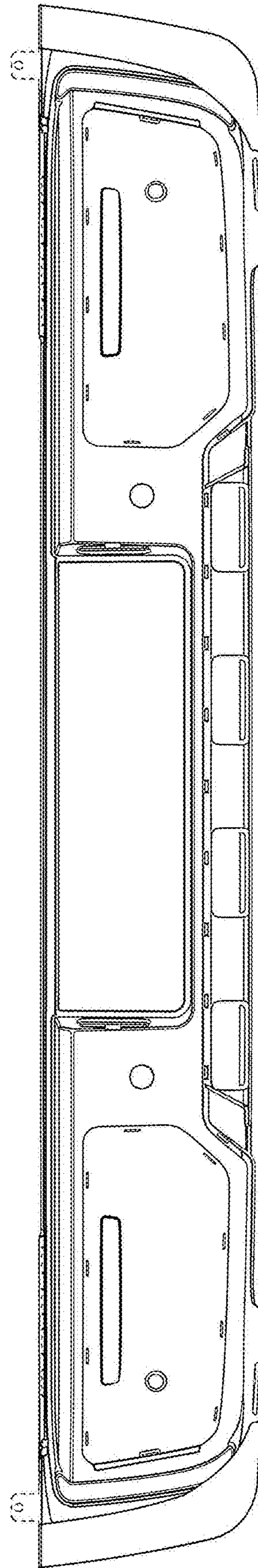


FIG. 6

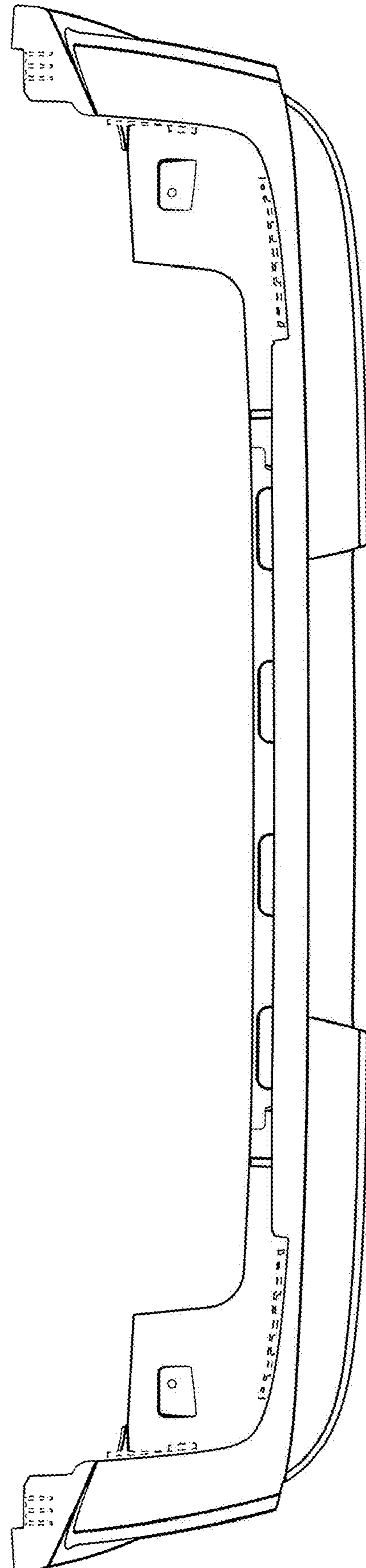
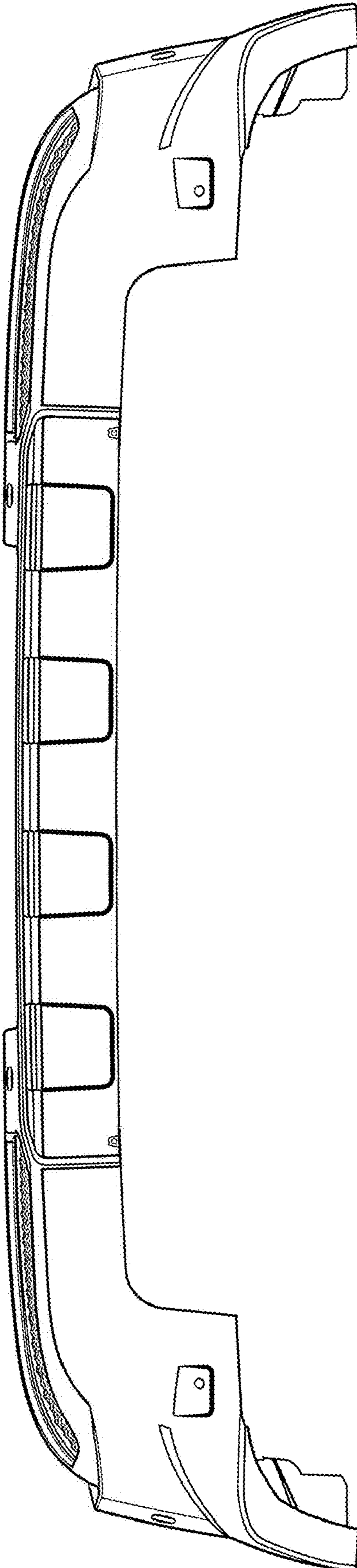




FIG. 7





UNITED STATES PATENT AND TRADEMARK OFFICE  
**CERTIFICATE OF CORRECTION**


PATENT NO. : D889,329 S  
APPLICATION NO. : 29/677316  
DATED : July 7, 2020  
INVENTOR(S) : Andreas Heinemann

Page 1 of 1

It is certified that error appears in the above-identified patent and that said Letters Patent is hereby corrected as shown below:

On the Title Page

Item (30), please include:  
July 20, 2018 (EP) 005509569

Signed and Sealed this  
Twenty-third Day of May, 2023  
  
Katherine Kelly Vidal  
Director of the United States Patent and Trademark Office