



US00D889328S

(12) **United States Design Patent** (10) **Patent No.:** **US D889,328 S**  
**Harriton et al.** (45) **Date of Patent:** **\*\* Jul. 7, 2020**

(54) **VEHICLE FRONT BUMPER**

(56) **References Cited**

(71) Applicant: **StreetCar ORV, LLC**, Wixom, MI (US)  
(72) Inventors: **David Harriton**, Missoula, MT (US);  
**Mark Stouffer**, Oakland Township, MI (US)  
(73) Assignee: **StreetCar ORV LLC**, Wixom, MI (US)  
(\*\*) Term: **15 Years**

U.S. PATENT DOCUMENTS

D690,631 S \* 10/2013 Kazama ..... D12/169  
D841,535 S \* 2/2019 Buckingham ..... D12/169  
D841,536 S \* 2/2019 Ojea ..... D12/169

\* cited by examiner

*Primary Examiner* — Melody N Brown  
(74) *Attorney, Agent, or Firm* — Quinn IP Law

(57) **CLAIM**

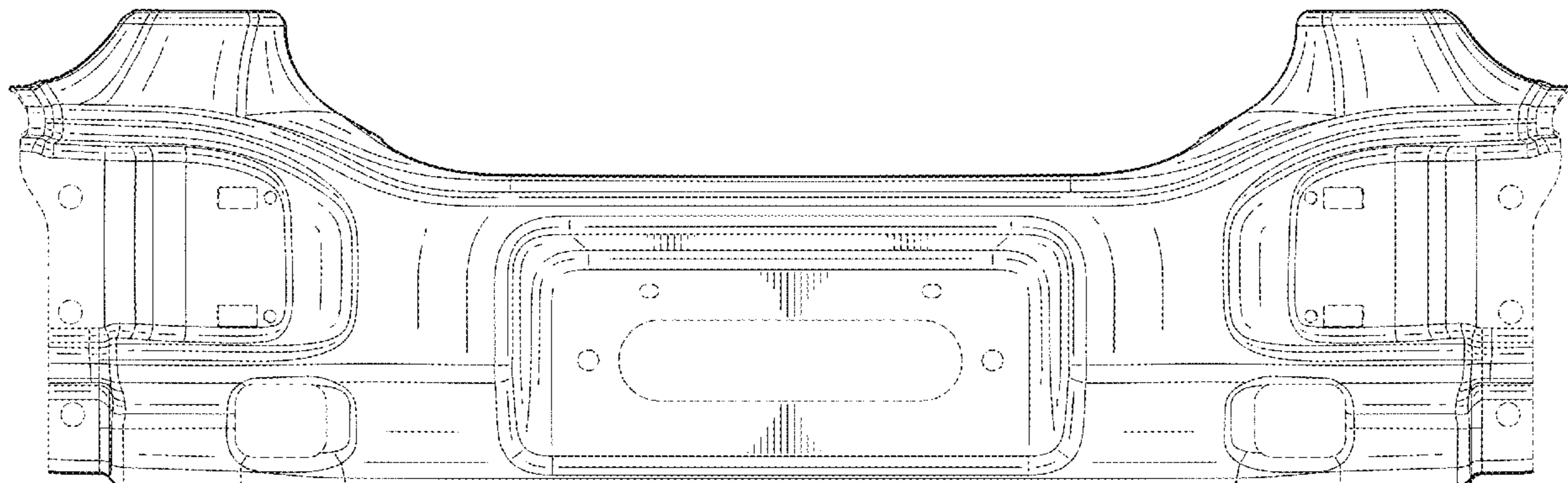
We claim the ornamental design for a vehicle front bumper, as shown and described.

**DESCRIPTION**

(21) Appl. No.: **29/668,410**  
(22) Filed: **Oct. 30, 2018**  
(51) **LOC (12) Cl.** ..... **12-16**  
(52) **U.S. Cl.**  
USPC ..... **D12/169**  
(58) **Field of Classification Search**  
USPC .... D12/169, 164, 196, 171, 163, 86, 90-92;  
293/102, 113, 115, 117, 120; 296/180.1,  
296/180.2  
CPC ..... B60R 19/02; B60R 19/04; B62D 25/08  
See application file for complete search history.

FIG. 1 is a top, front, and left side perspective view of a vehicle front bumper showing our new design; FIG. 2 is a front elevational view thereof; FIG. 3 is a rear elevational view thereof; FIG. 4 is a right side elevational view thereof; FIG. 5 is a left side elevational view thereof; FIG. 6 is a top plan view of thereof; FIG. 7 is a bottom plan view thereof; and, FIG. 8 is a rear perspective view thereof. The broken lines represent structure or features that form no part of the claimed design.

**1 Claim, 5 Drawing Sheets**



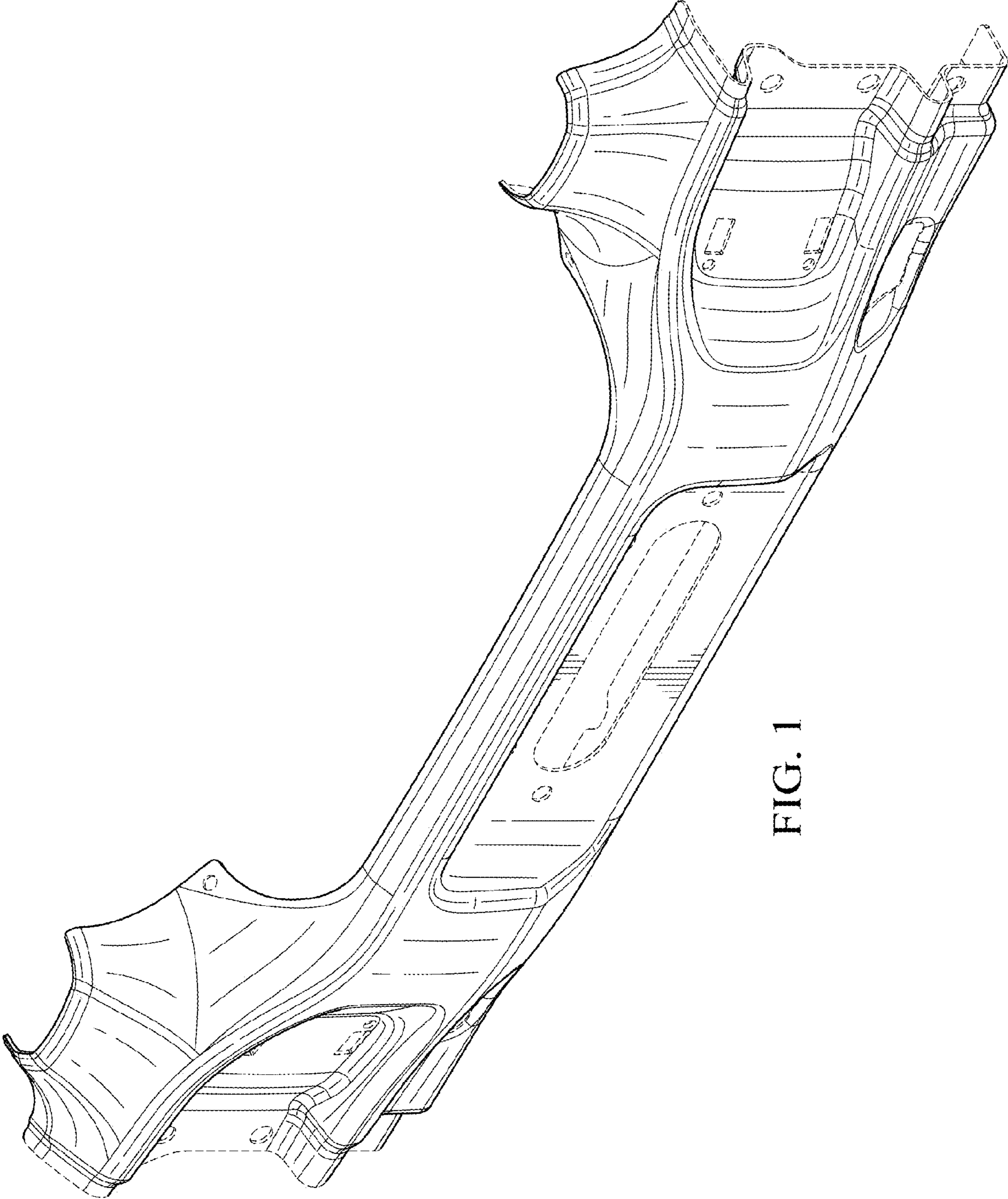


FIG. 1

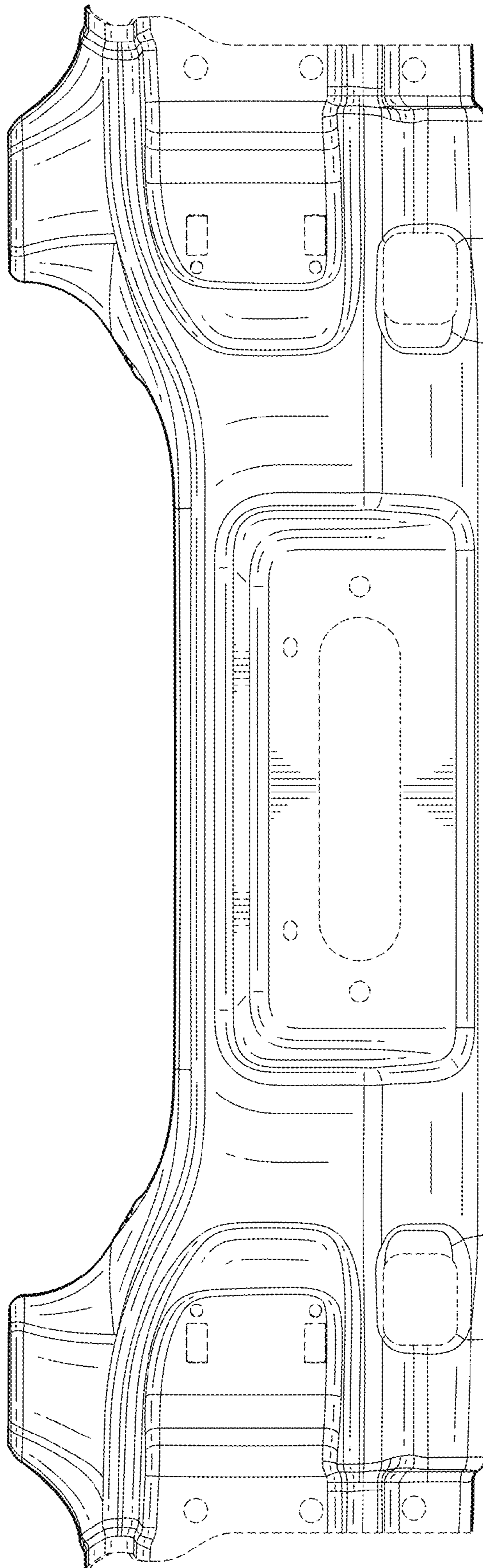


FIG. 2

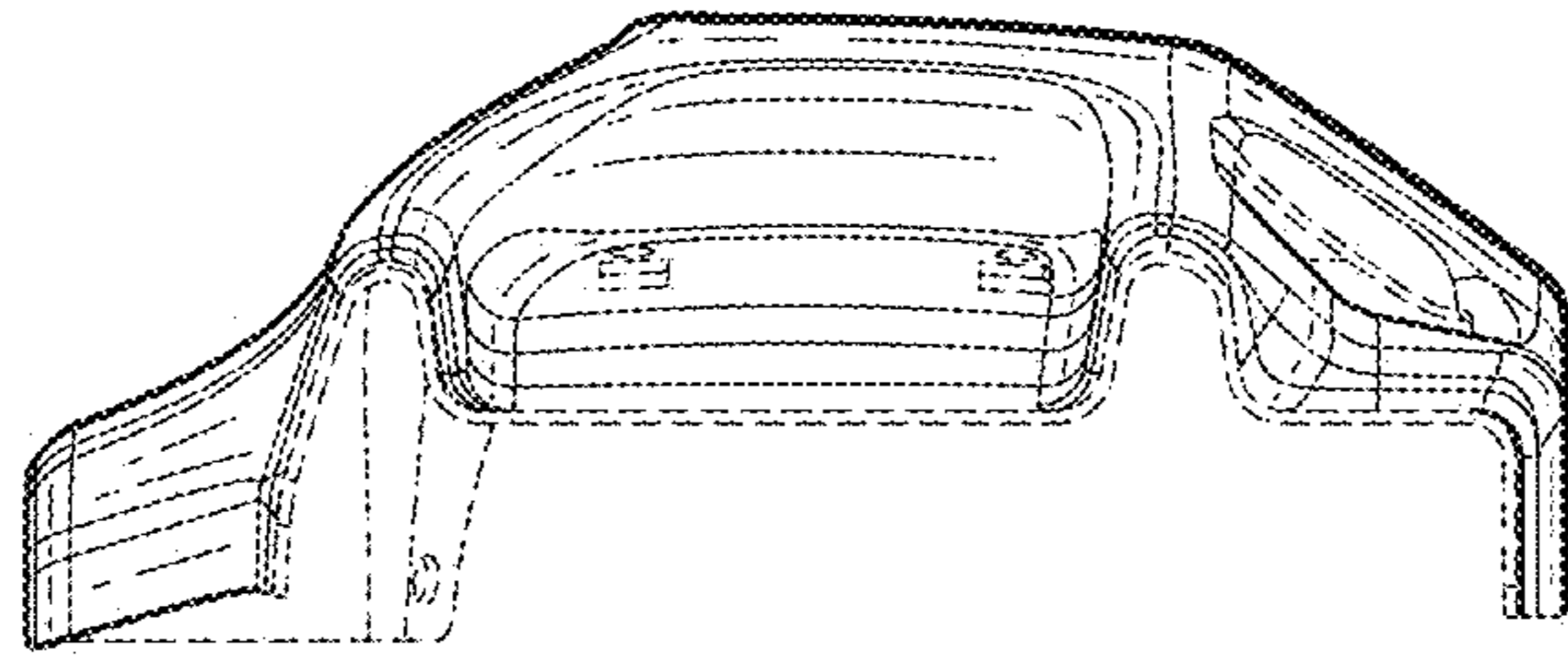


FIG. 5

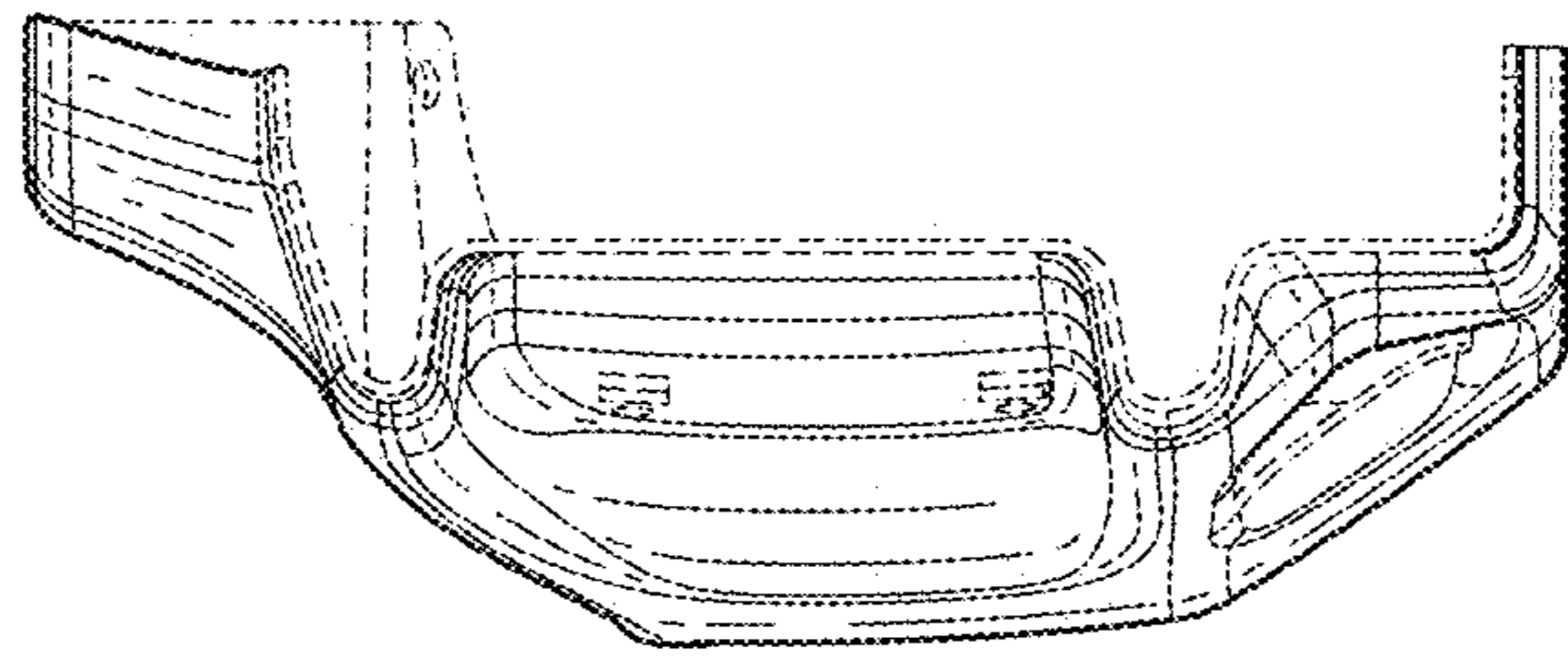


FIG. 4

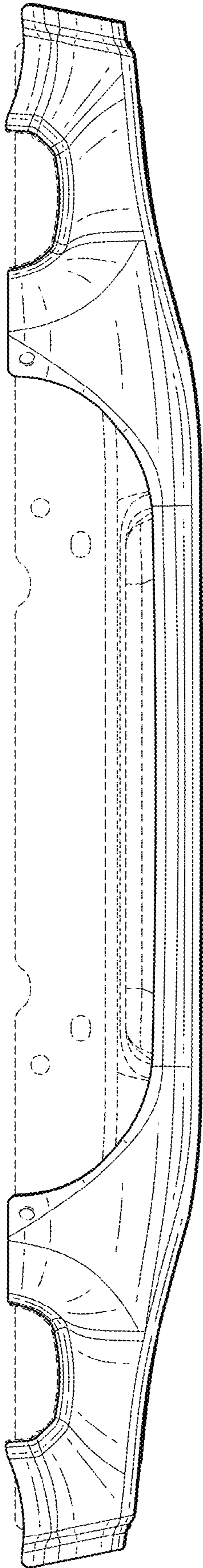


FIG. 6

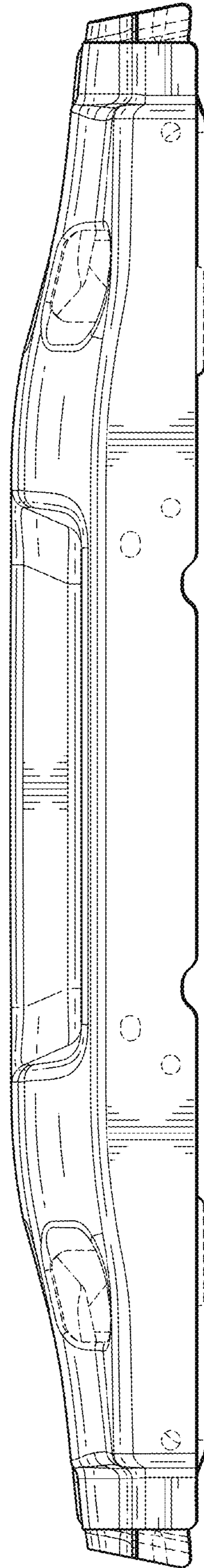


FIG. 7

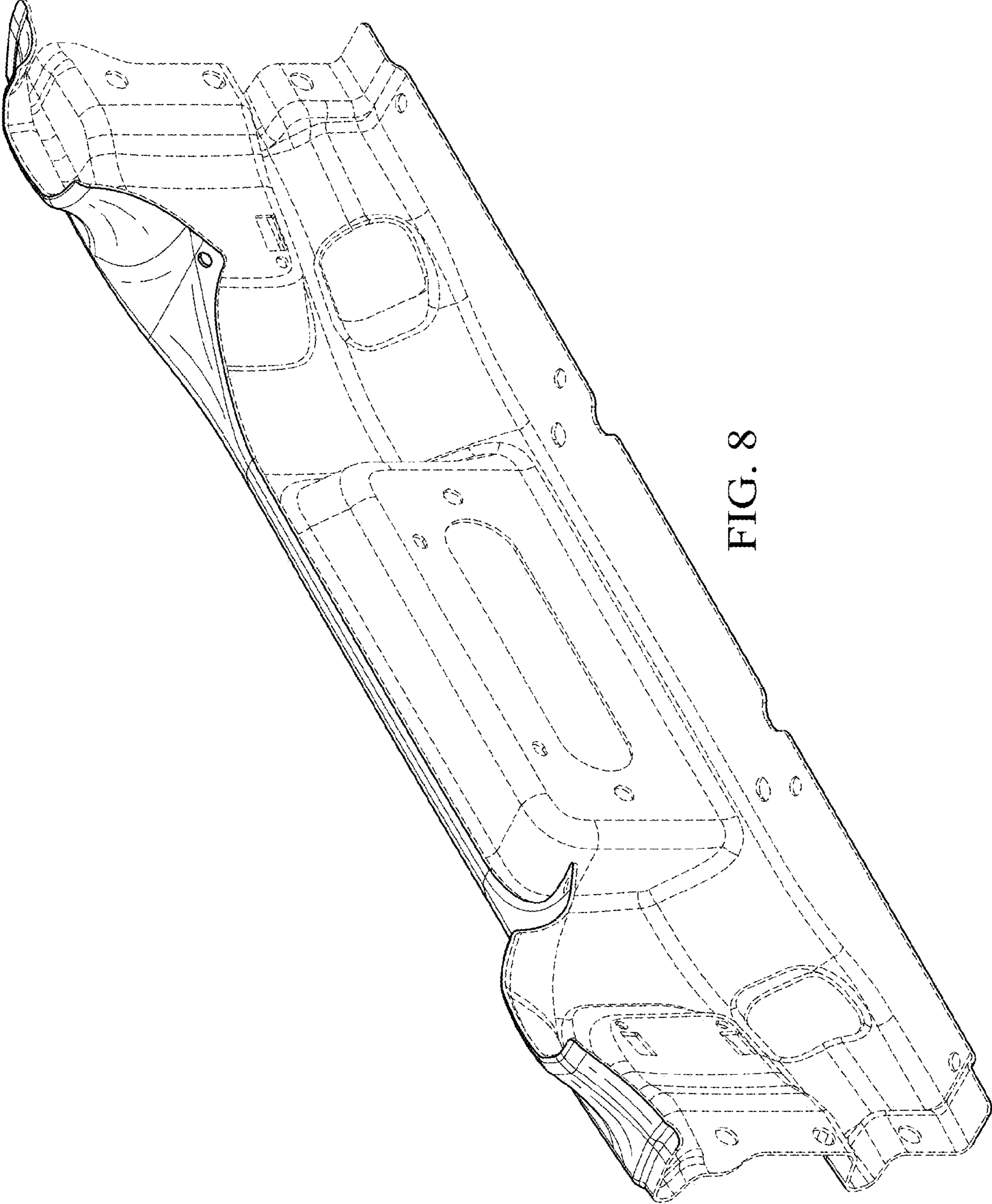


FIG. 8