



US00D889326S

(12) **United States Design Patent** (10) **Patent No.:** **US D889,326 S**  
**Manzoni** (45) **Date of Patent:** **\*\* Jul. 7, 2020**

(54) **CAR BUMPER**  
(71) Applicant: **FERRARI S.P.A.**, Modena (IT)  
(72) Inventor: **Flavio Manzoni**, Maranello (IT)  
(73) Assignee: **FERRARI S.P.A.**, Modena (IT)  
(\*\*) Term: **15 Years**

D805,975 S \* 12/2017 Dharmawan ..... D12/181  
D815,009 S \* 4/2018 Valencia Pollex ..... D12/209  
D820,176 S \* 6/2018 Hamburger ..... D12/173  
D823,224 S \* 7/2018 Nakamura ..... D12/211  
D826,126 S \* 8/2018 Valencia Pollex ..... D12/209  
D827,494 S \* 9/2018 Manzoni ..... D12/88  
D834,998 S \* 12/2018 Manzoni ..... D12/88  
D838,210 S \* 1/2019 Howse ..... D12/92  
D840,321 S \* 2/2019 Kikuchi ..... D12/211  
D856,194 S \* 8/2019 Saleen ..... D12/92

(21) Appl. No.: **35/506,306**  
(22) Filed: **Jul. 18, 2018**

\* cited by examiner

(80) **Hague Agreement Data**  
Int. Filing Date: **Jul. 18, 2018**  
Int. Reg. No.: **DM/103181**  
Int. Reg. Date: **Jul. 18, 2018**  
Int. Reg. Pub. Date: **Jan. 18, 2019**

*Primary Examiner* — George D. Kirschbaum  
(74) *Attorney, Agent, or Firm* — Cowan, Liebowitz & Latman, P.C.; Anastasia Zhadina

(30) **Foreign Application Priority Data**

Jan. 19, 2018 (EM) ..... 004672921

(51) **LOC (12) Cl.** ..... **12-16**

(52) **U.S. Cl.**  
USPC ..... **D12/163**

(58) **Field of Classification Search**  
USPC ..... D12/88, 92, 211, 209, 181, 173, 163  
See application file for complete search history.

(57) **CLAIM**

The ornamental design for a car bumper, as shown and described.

(56) **References Cited**

**U.S. PATENT DOCUMENTS**

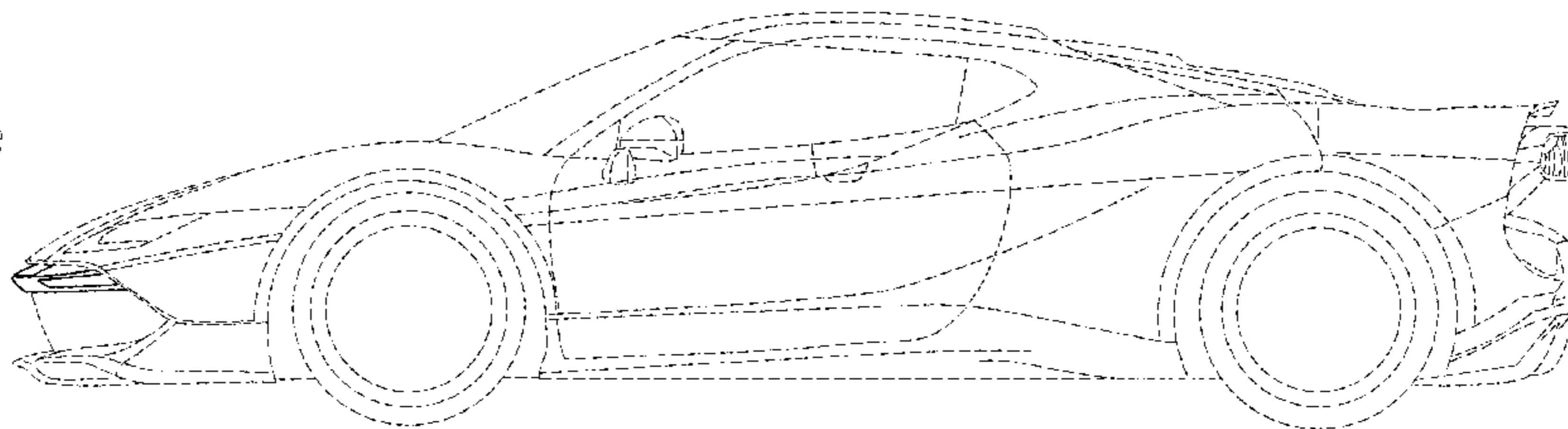
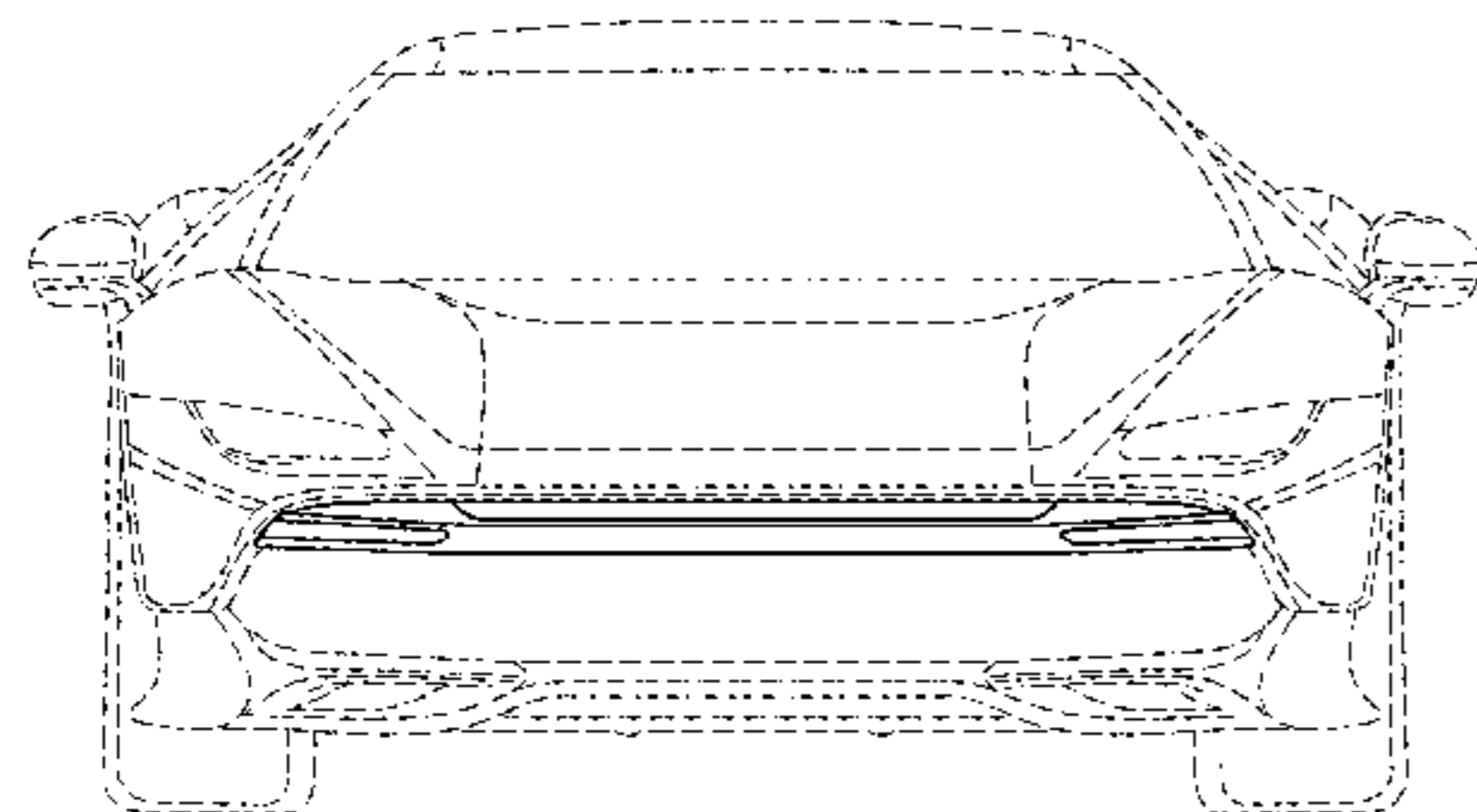
D617,683 S \* 6/2010 Beneggi ..... D12/92  
D791,668 S \* 7/2017 Murase ..... D12/209

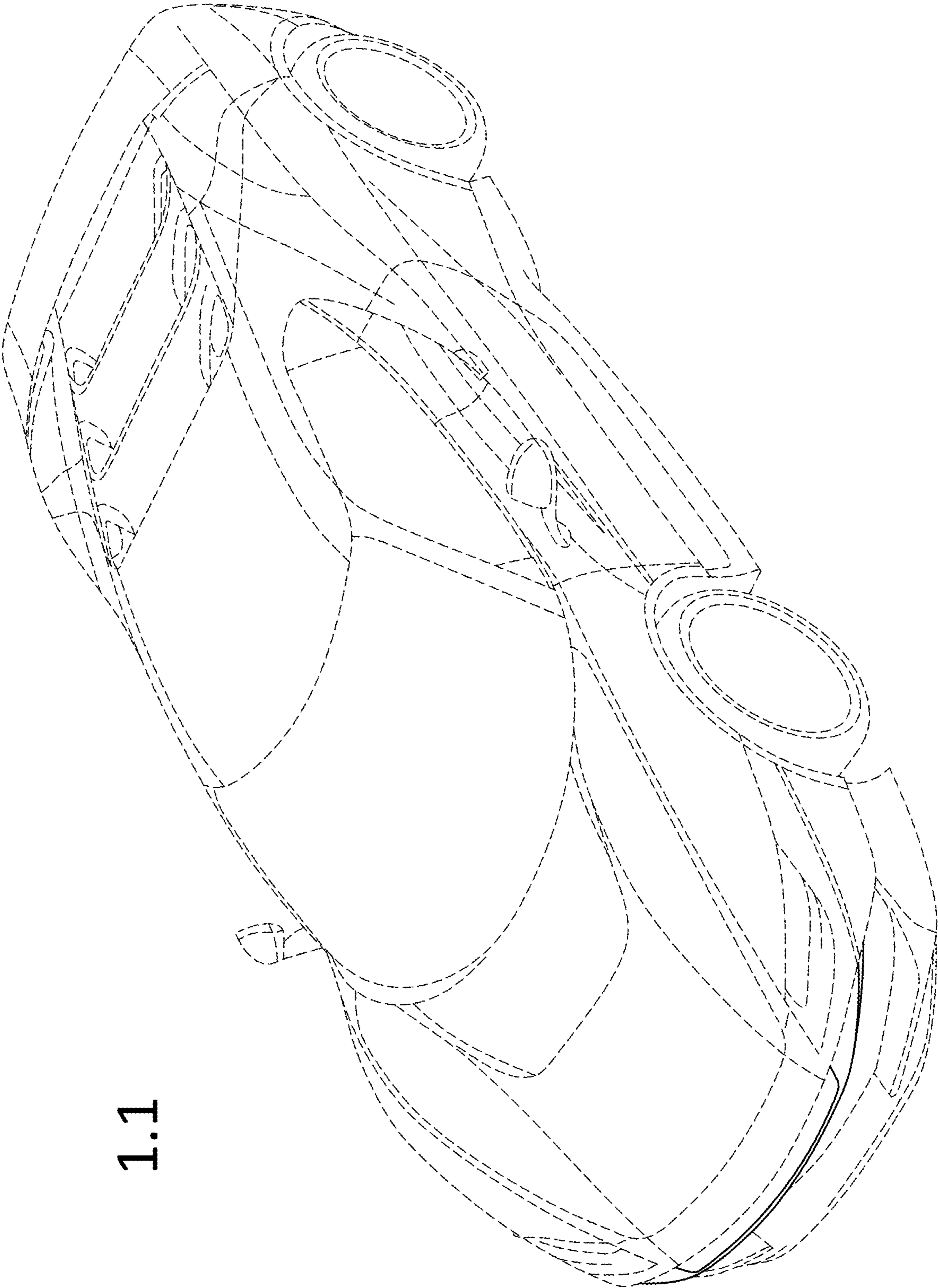
**DESCRIPTION**

- 1. Parts of cars
- 1.1 : Front perspective view
- 1.2 : Front
- 1.3 : Left
- 1.4 : Top
- 1.5 : Bottom

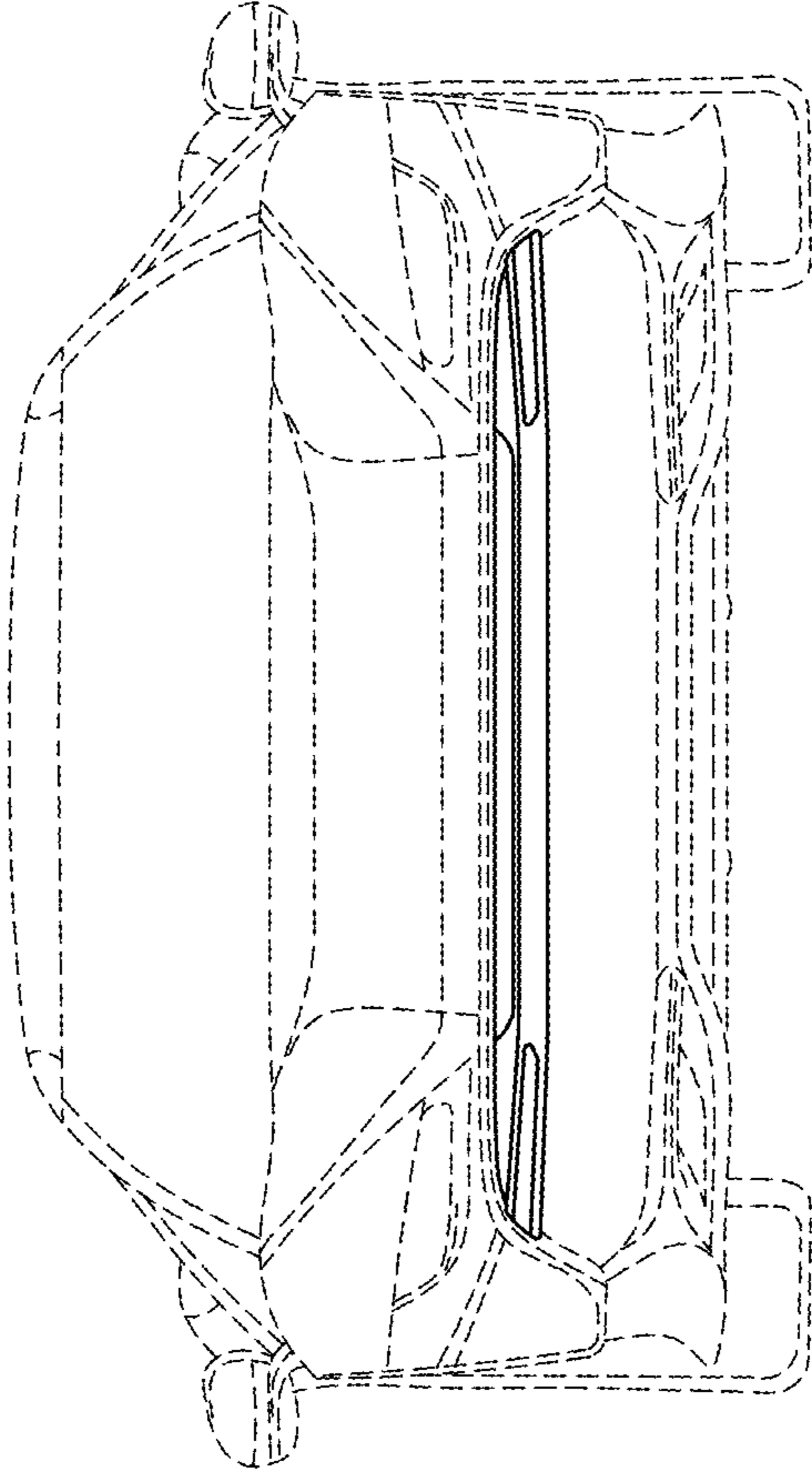
Portions of the car shown in broken lines form no part of the claimed design.

**1 Claim, 5 Drawing Sheets**

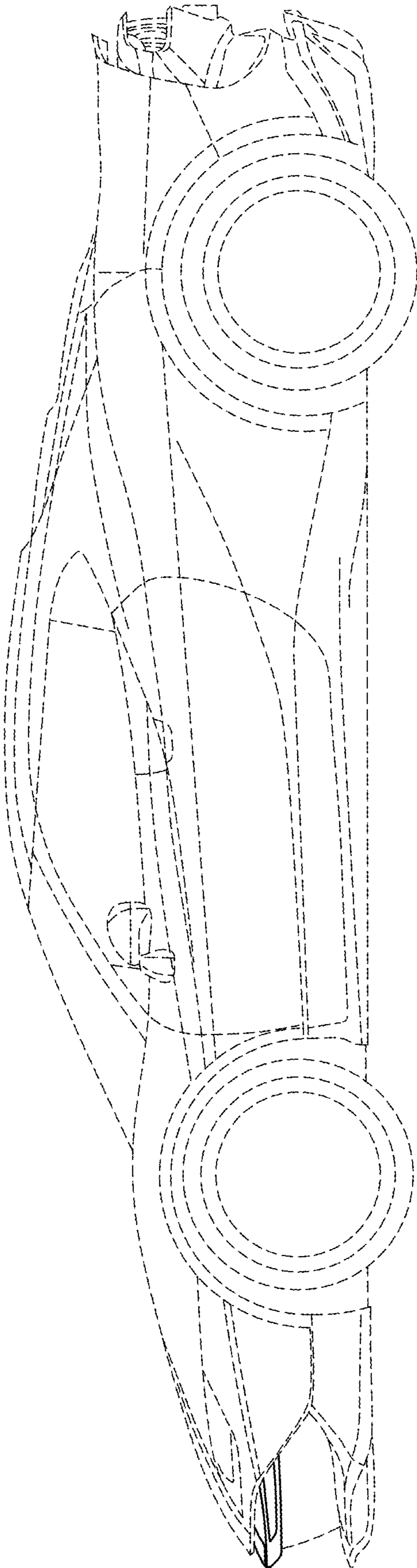




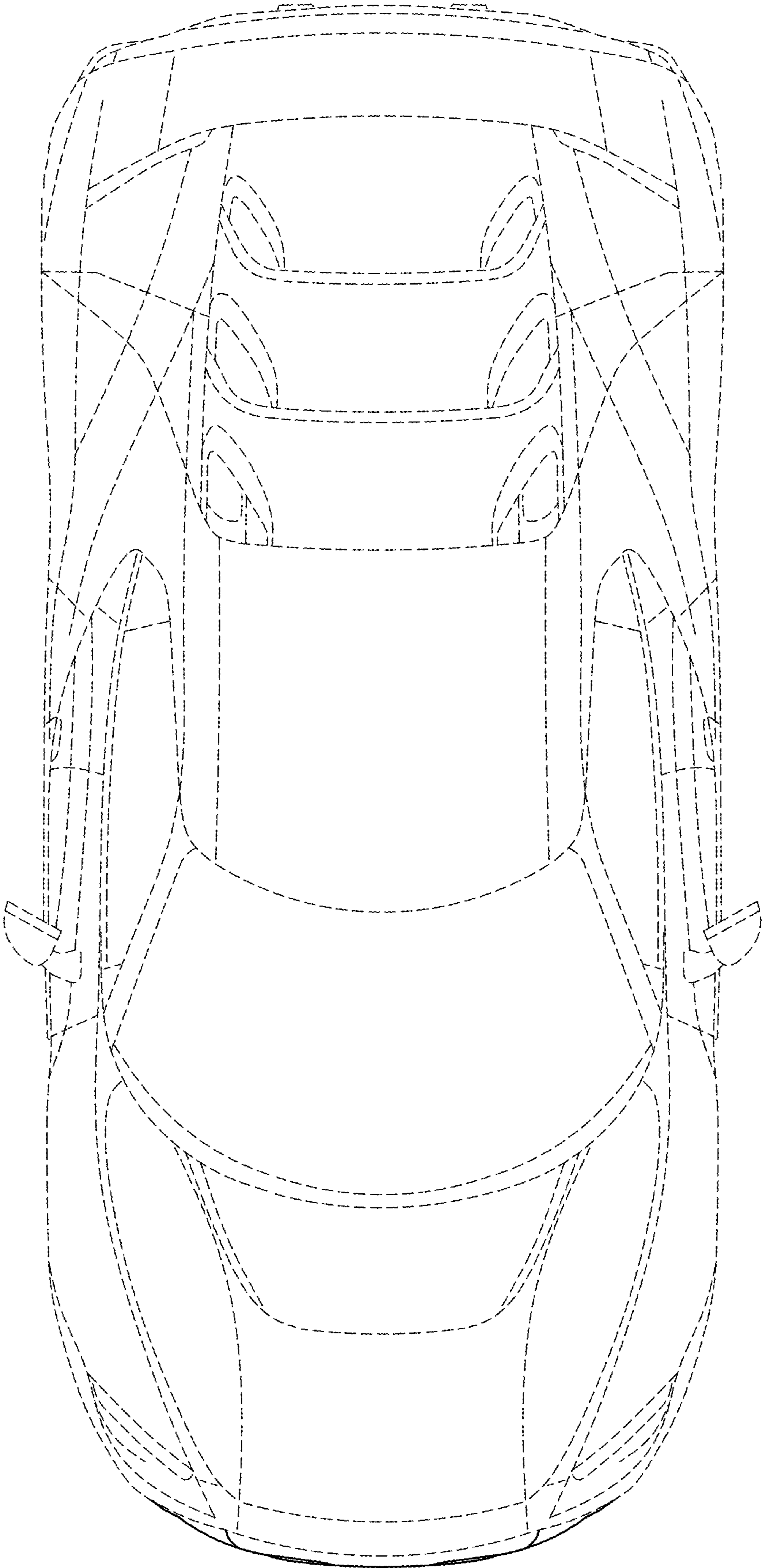
1.1



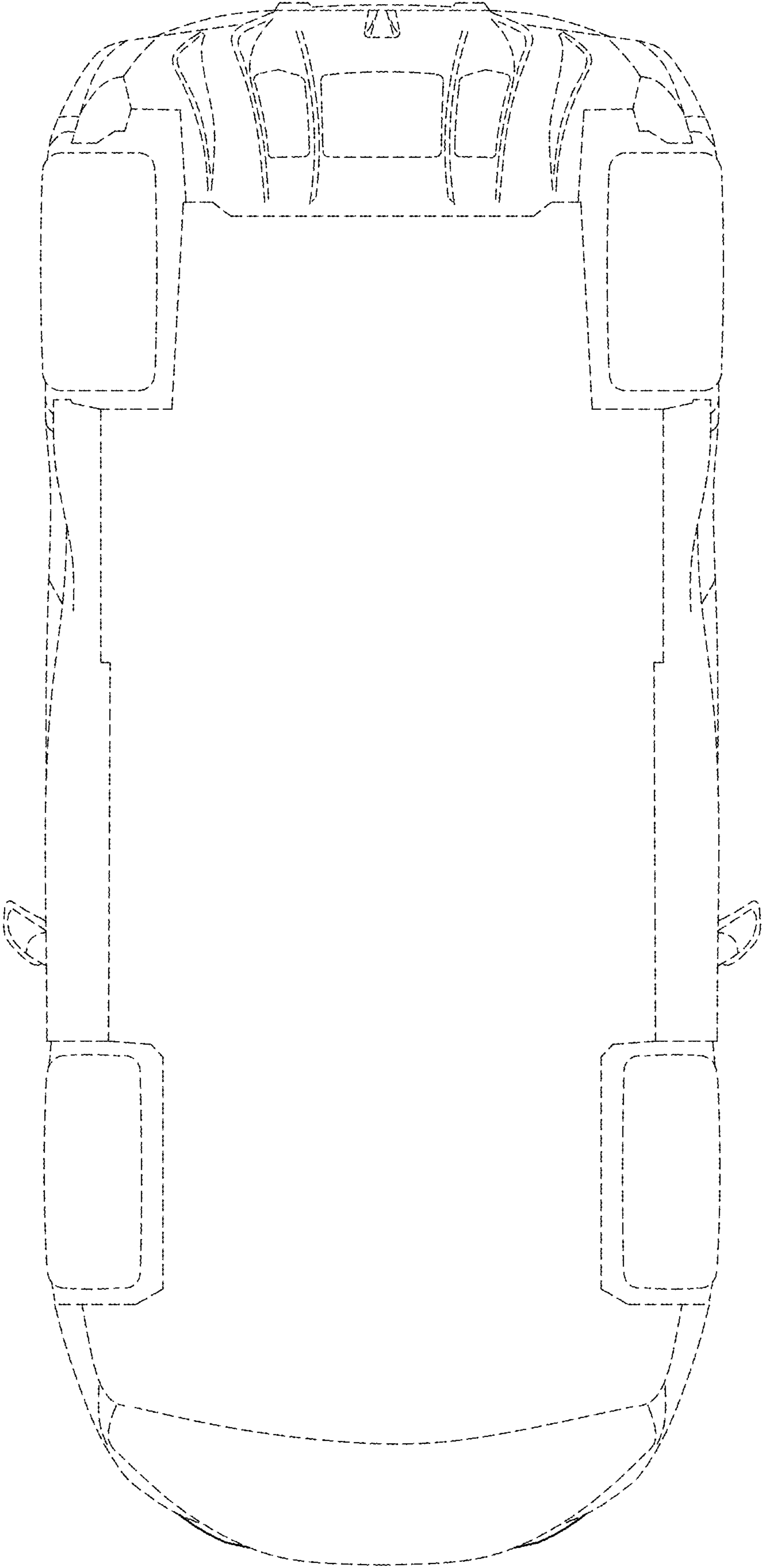
1.2



1.3



1.4



1.5