



US00D889324S

(12) **United States Design Patent**
Altenhofen et al.

(10) **Patent No.:** **US D889,324 S**

(45) **Date of Patent:** **** Jul. 7, 2020**

- (54) **STROLLER FOR CHILDREN**
- (71) Applicant: **GB GMBH**, Bayreuth (DE)
- (72) Inventors: **Gabriel Altenhofen**, Bayreuth (DE);
Ralf Holleis, Bayreuth (DE); **Jan Hüttmann**, Bayreuth (DE)
- (73) Assignee: **GB GmbH**, Bayreuth (DE)
- (**) Term: **15 Years**
- (21) Appl. No.: **35/506,617**
- (22) Filed: **Aug. 17, 2018**
- (80) **Hague Agreement Data**
Int. Filing Date: **Aug. 17, 2018**
Int. Reg. No.: **DM/103485**
Int. Reg. Date: **Aug. 17, 2018**
Int. Reg. Pub. Date: **Feb. 22, 2019**
- (51) **LOC (12) Cl.** **12-12**
- (52) **U.S. Cl.**
USPC **D12/129**
- (58) **Field of Classification Search**
USPC D12/128-130
CPC B62B 7/00; B62B 7/04; B62B 7/06; B62B 7/062; B62B 9/00; B62B 9/02; B62B 9/04; B62B 9/08; B62B 9/10; B62B 9/12; B62B 9/14; B62B 9/16; B62B 9/18; B62B 9/20; B62B 9/22; B62B 9/24; B62B 9/26
See application file for complete search history.

D450,265 S *	11/2001	Hsia	D12/129
D463,330 S *	9/2002	Yang	D12/129
D463,332 S *	9/2002	Wu	D12/129
D484,441 S *	12/2003	Hsia	D12/129
D486,428 S *	2/2004	Daykin	D12/129
D486,429 S *	2/2004	Daykin	D12/129
D519,421 S *	4/2006	Huang	D12/129
D608,254 S *	1/2010	Grim	D12/129
D641,293 S *	7/2011	Tsai	D12/129
D648,659 S *	11/2011	Brevi	D12/129
D654,406 S *	2/2012	Henry	D12/129
D677,604 S *	3/2013	Ide	D12/129
D677,605 S *	3/2013	Ide	D12/129
D726,078 S *	4/2015	Liao	D12/129
D743,848 S *	11/2015	Farmer	D12/129
D789,252 S *	6/2017	Qiu	D12/129
D789,253 S *	6/2017	Wang	D12/129
D802,489 S *	11/2017	Stiba	D12/129
9,981,678 B1 *	5/2018	Chen	B62B 7/068
10,167,008 B1 *	1/2019	Yang	B62B 7/086
10,279,831 B2 *	5/2019	Huang	B62B 7/062

* cited by examiner

Primary Examiner — Darlington Ly
(74) *Attorney, Agent, or Firm* — Boyle Fredrickson, S.C.

(57) **CLAIM**

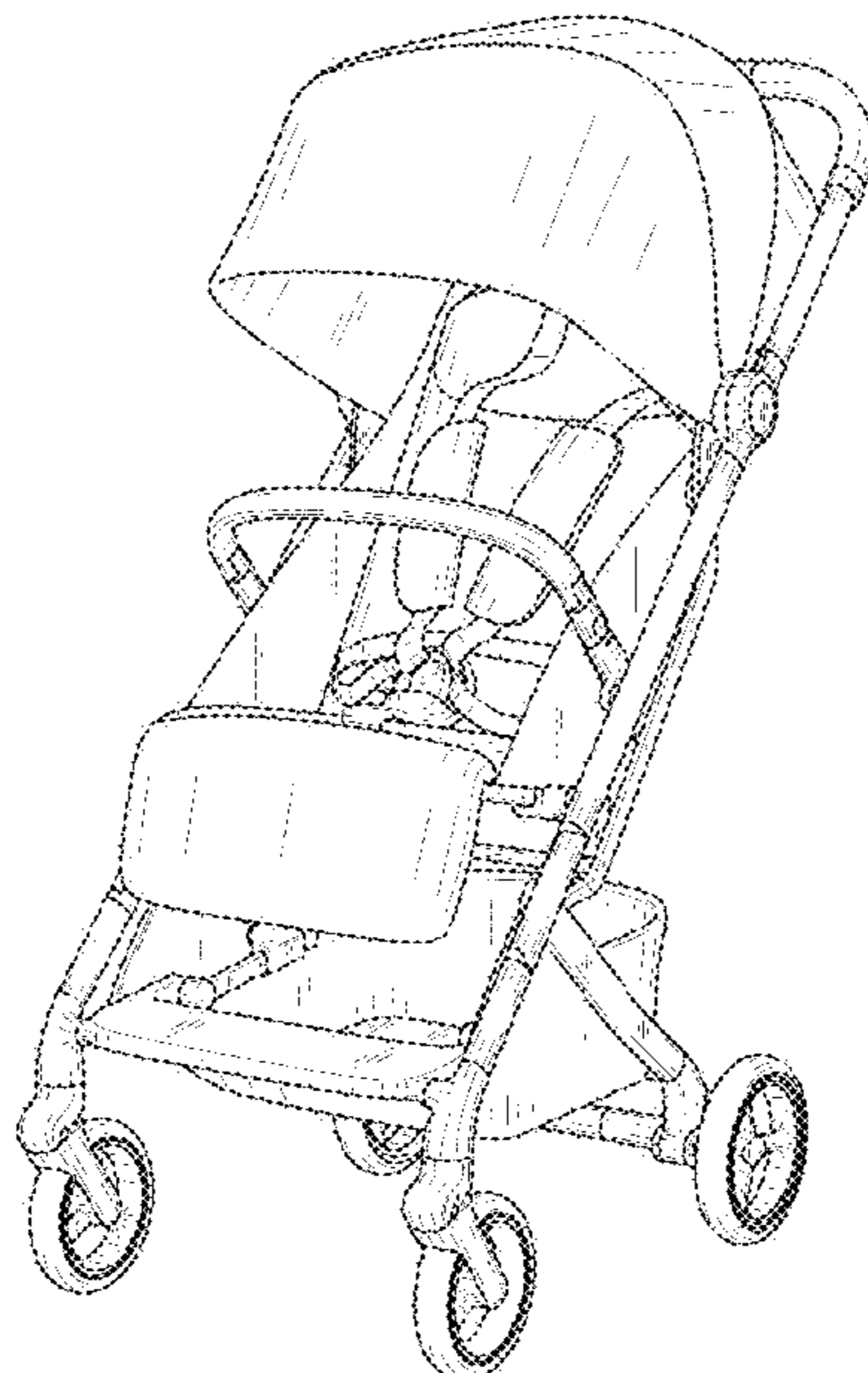
The ornamental design for a stroller for children, as shown and described.

DESCRIPTION

- 1. Stroller for children
- 1.1** is a front, top, and right side perspective view of a stroller for children showing our new design;
- 1.2** is a front elevation view thereof;
- 1.3** is a rear elevation view thereof;
- 1.4** is a left side elevation view thereof;
- 1.5** is a right side elevation view thereof;
- 1.6** is a top plan view thereof; and
- 1.7** is a bottom plan view thereof.

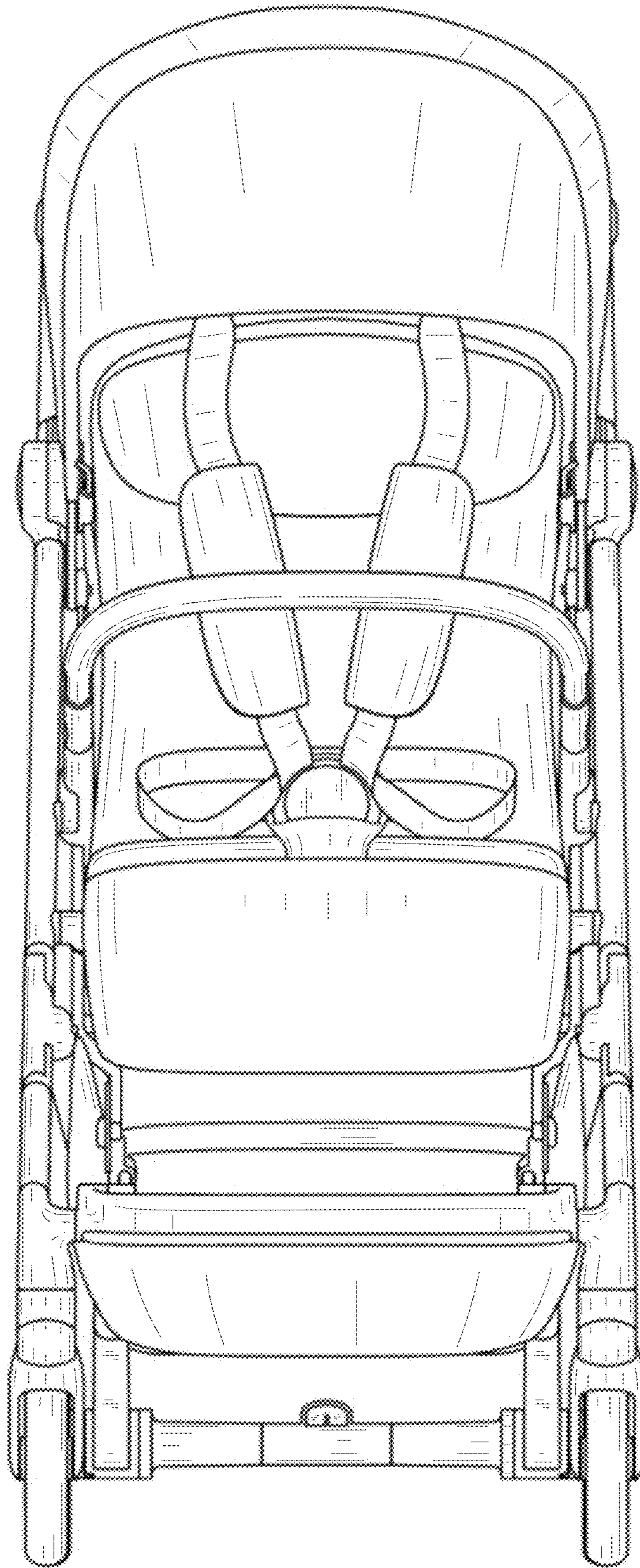
1 Claim, 7 Drawing Sheets

- (56) **References Cited**
U.S. PATENT DOCUMENTS
D429,184 S * 8/2000 Yang D12/129
D434,704 S * 12/2000 Huang D12/129

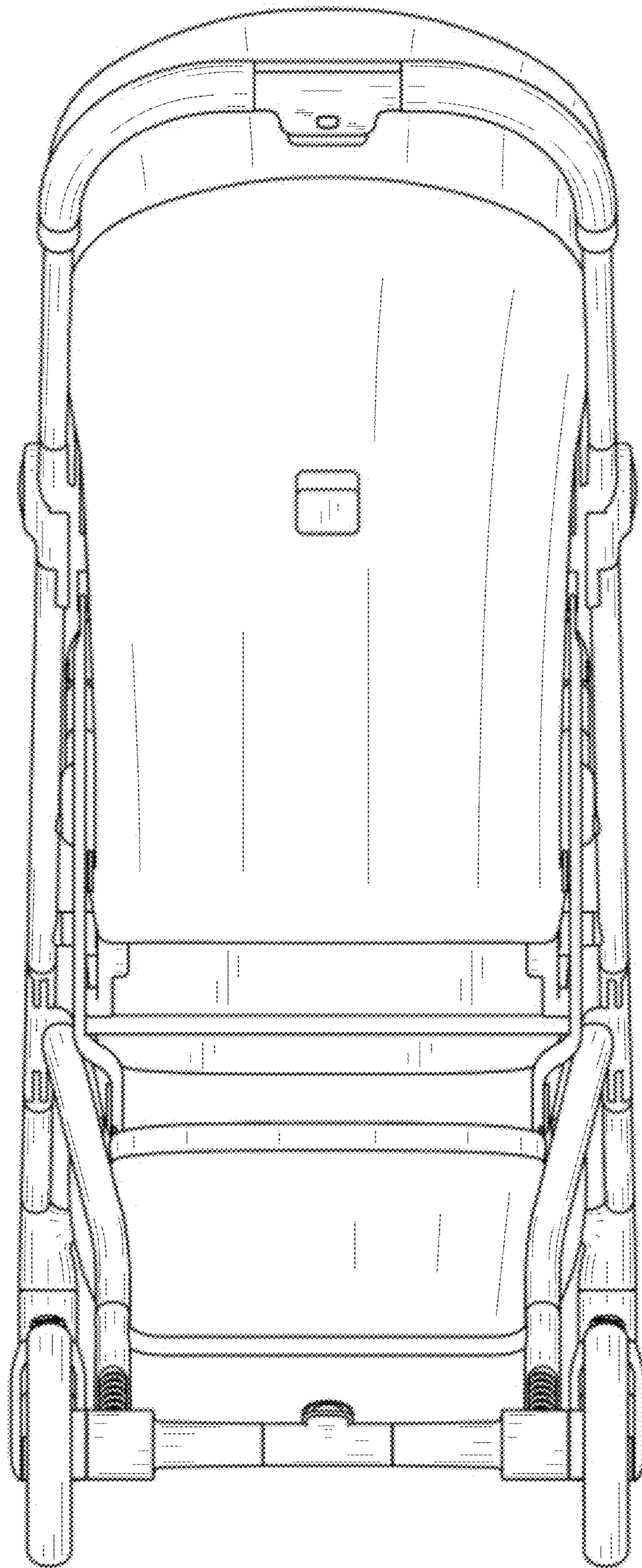




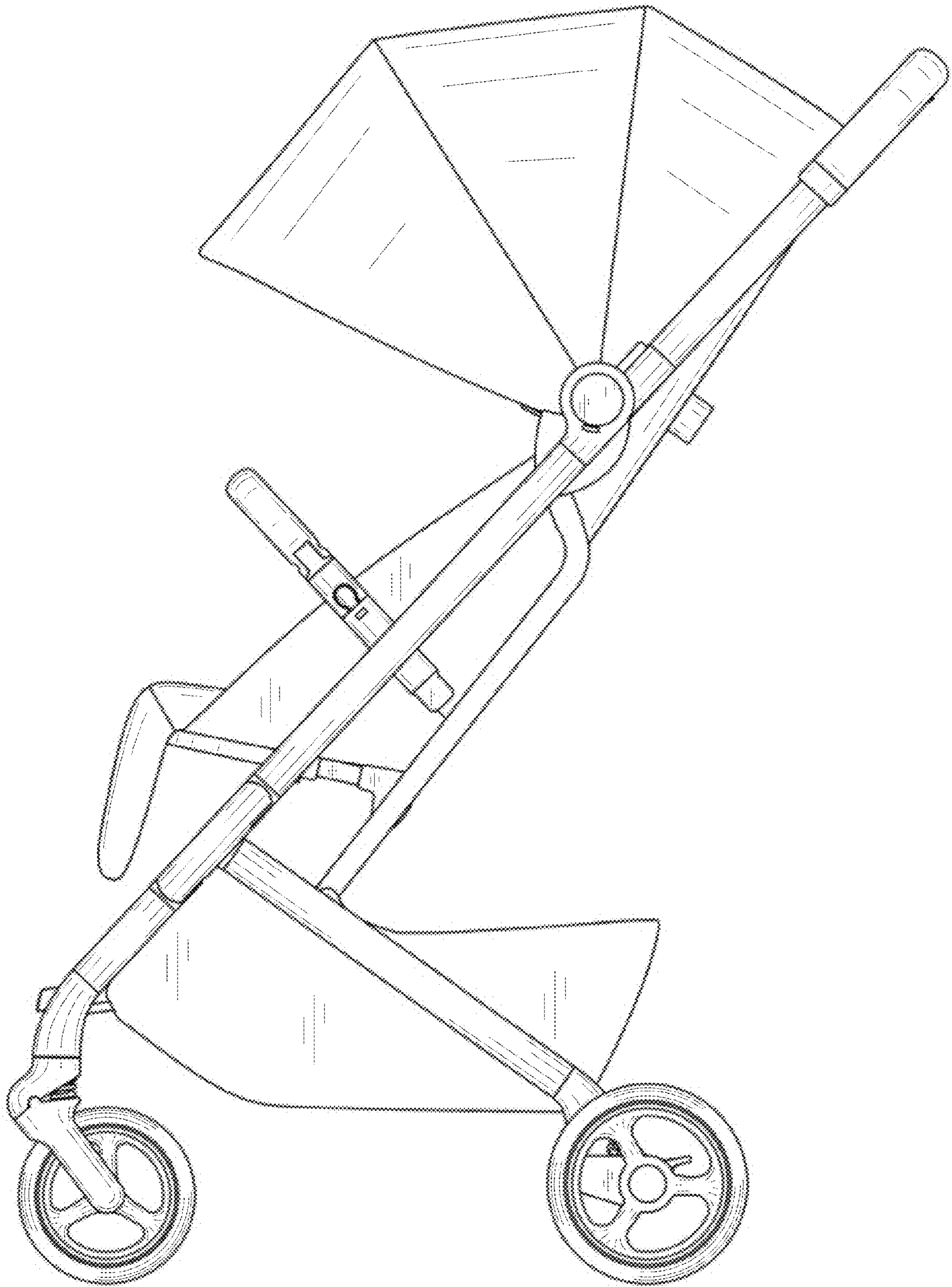
1. 1



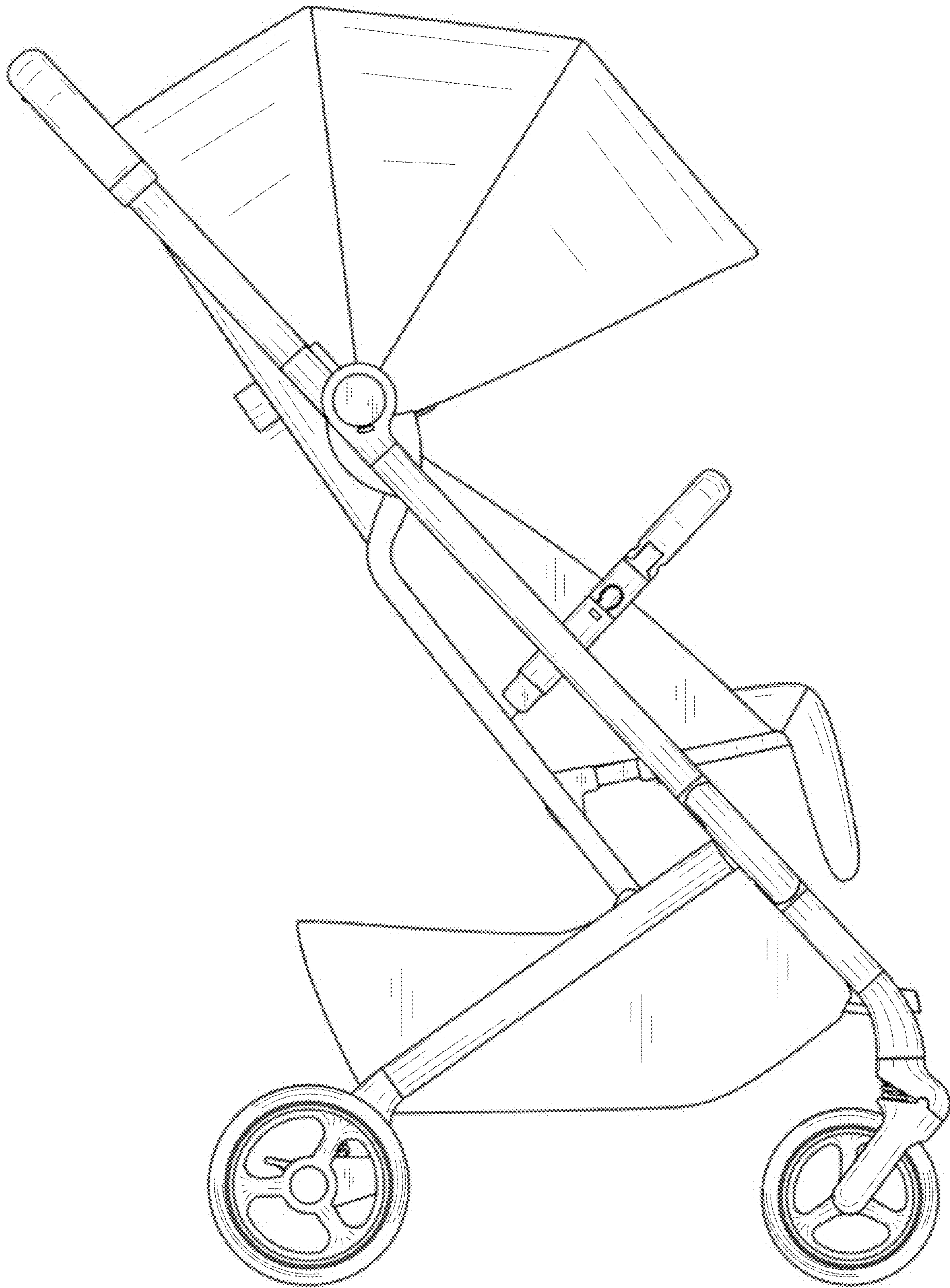
1.2



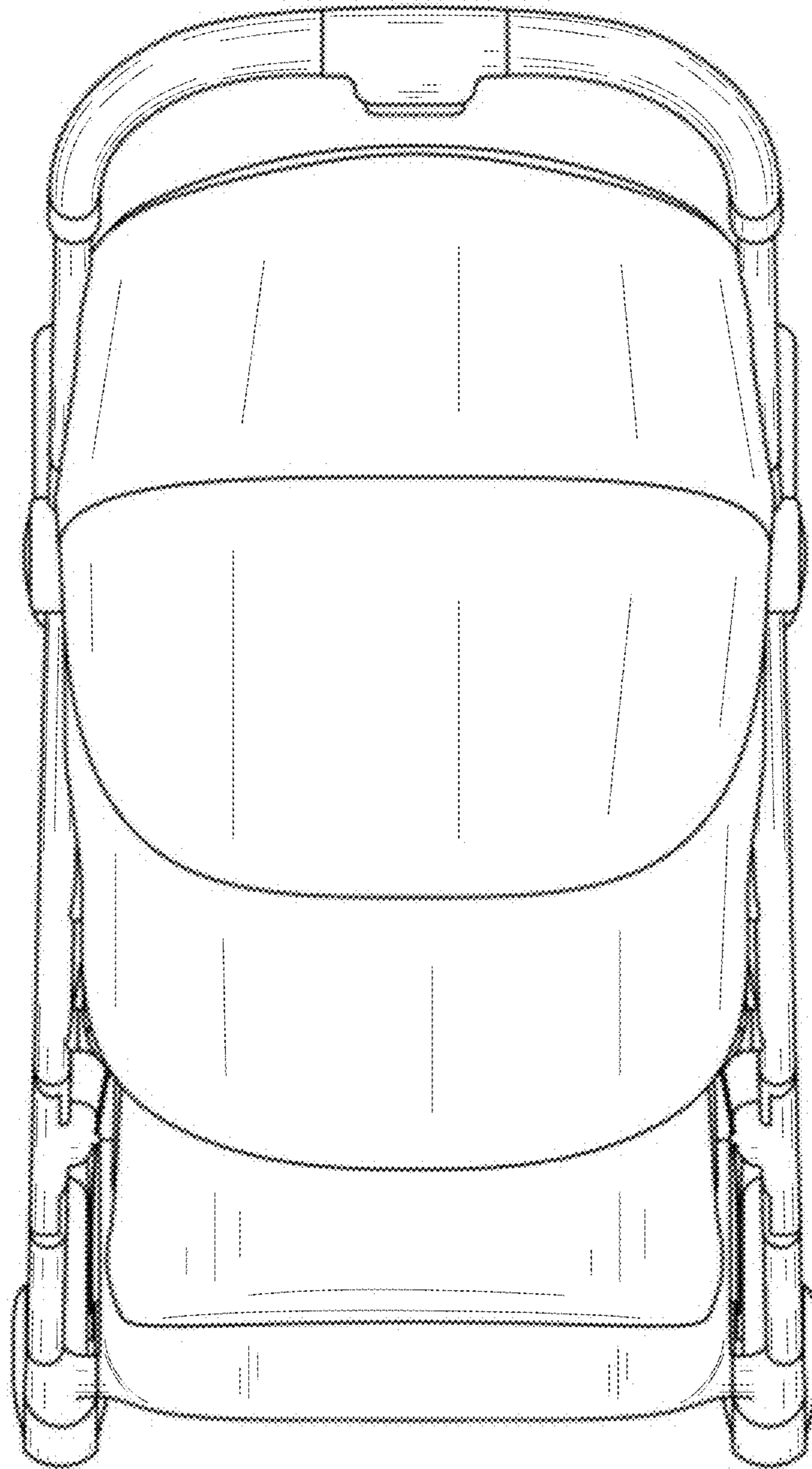
1. 3



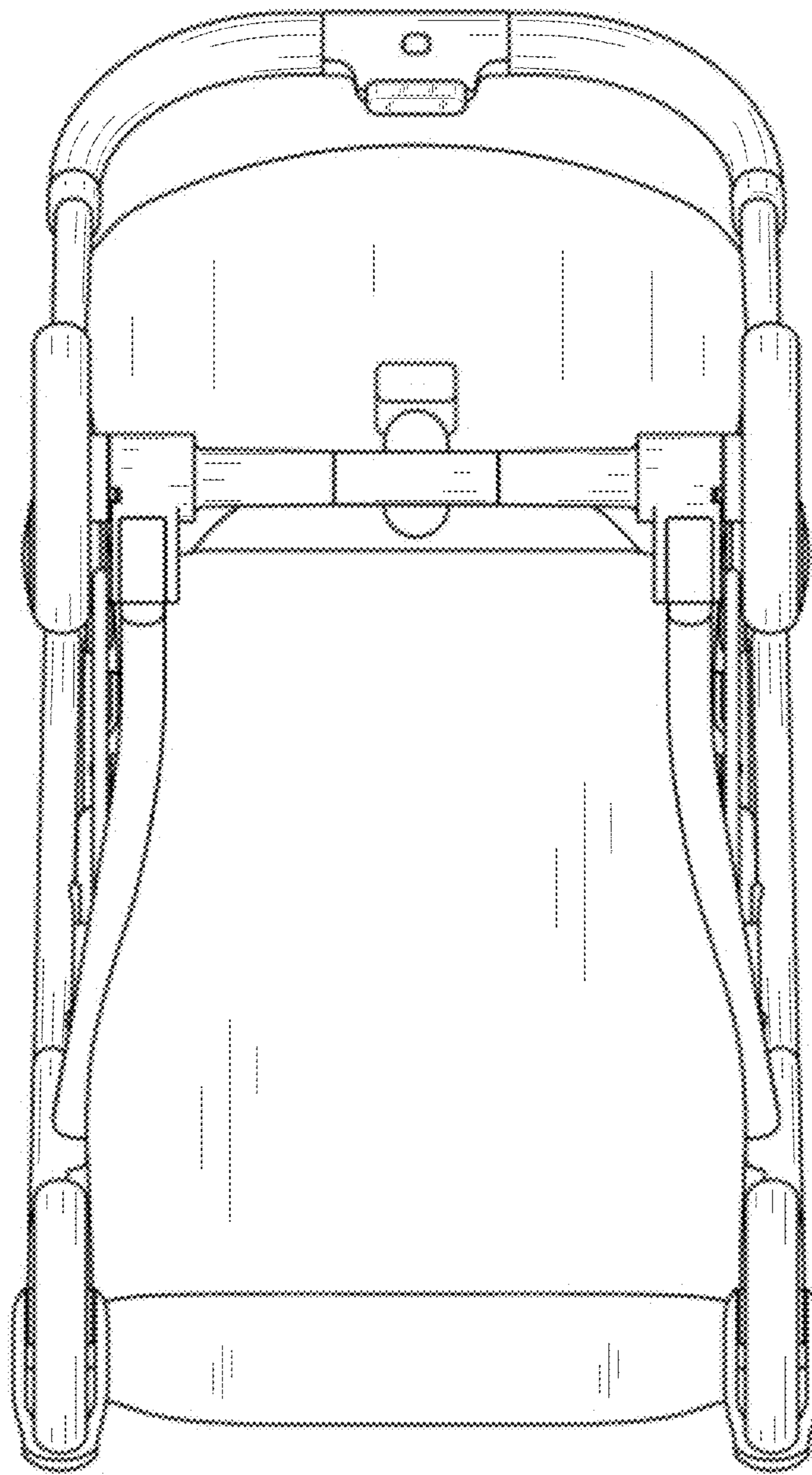
1.4



1.5



1. 6



1.7