



US00D889322S

(12) **United States Design Patent** (10) **Patent No.:** **US D889,322 S**  
**Cheng** (45) **Date of Patent:** **\*\* Jul. 7, 2020**

(54) **ELECTRIC SOCKET FOR USE IN MOTORCYCLE**  
(71) Applicant: **Hsu-Cheng Cheng**, New Taipei (TW)  
(72) Inventor: **Hsu-Cheng Cheng**, New Taipei (TW)  
(\*\*) Term: **15 Years**  
(21) Appl. No.: **29/675,867**  
(22) Filed: **Jan. 6, 2019**  
(51) **LOC (12) Cl.** ..... **12-11**  
(52) **U.S. Cl.**  
USPC ..... **D12/114; D13/144**  
(58) **Field of Classification Search**  
USPC ..... D12/114, 400; D13/108, 144, 107, 110,  
D13/118, 133, 137.1; D14/155, 203.6,  
D14/433  
CPC ..... H01R 31/02; H01R 31/06; H01R 24/58;  
H01R 2201/26; B60N 3/14  
See application file for complete search history.

(56) **References Cited**

**U.S. PATENT DOCUMENTS**

6,116,960 A \* 9/2000 Lloyd ..... B60N 3/14  
439/218  
D433,379 S \* 11/2000 Jokinen ..... D13/107  
D456,007 S \* 4/2002 Kuo ..... D13/110  
D521,487 S \* 5/2006 Dayan ..... D14/155  
D522,992 S \* 6/2006 Dayan ..... D14/155  
D548,719 S \* 8/2007 Dayan ..... D14/155  
D563,873 S \* 3/2008 Chen ..... D13/144  
D609,644 S \* 2/2010 Lin ..... D13/144  
D620,441 S \* 7/2010 Hou ..... D13/144  
D631,836 S \* 2/2011 Kao ..... D13/108  
D632,652 S \* 2/2011 Wikel ..... D13/144  
D652,384 S \* 1/2012 Lee ..... D13/144  
D655,676 S \* 3/2012 Au ..... D13/144

D688,601 S \* 8/2013 Cheng ..... D12/114  
D700,572 S \* 3/2014 Esses ..... D13/108  
D709,891 S \* 7/2014 Alesi ..... D14/433  
D714,223 S \* 9/2014 Huang ..... D13/144  
D722,294 S \* 2/2015 Lee ..... D13/144  
D723,466 S \* 3/2015 Wang ..... D13/110  
D778,822 S \* 2/2017 Broadhurst, IV ..... D13/107  
D796,446 S \* 9/2017 Hahn ..... D13/144  
D800,664 S \* 10/2017 Xiao ..... D13/144  
D802,536 S \* 11/2017 Shang ..... D13/144  
D807,289 S \* 1/2018 Wang ..... D13/107  
D807,299 S \* 1/2018 Uggla ..... D13/144  
D812,033 S \* 3/2018 Yin ..... D14/155  
D825,470 S \* 8/2018 Wang ..... D13/144  
D828,813 S \* 9/2018 Liu ..... D13/144  
D833,397 S \* 11/2018 Deng ..... D13/144  
2018/0366892 A1 \* 12/2018 Pekcan ..... H02J 7/0047

\* cited by examiner

*Primary Examiner* — Michelle E. Wilson  
*Assistant Examiner* — Clese Moore, Jr.  
(74) *Attorney, Agent, or Firm* — Pro-TECHTOR  
International Services; Ian Oglesby

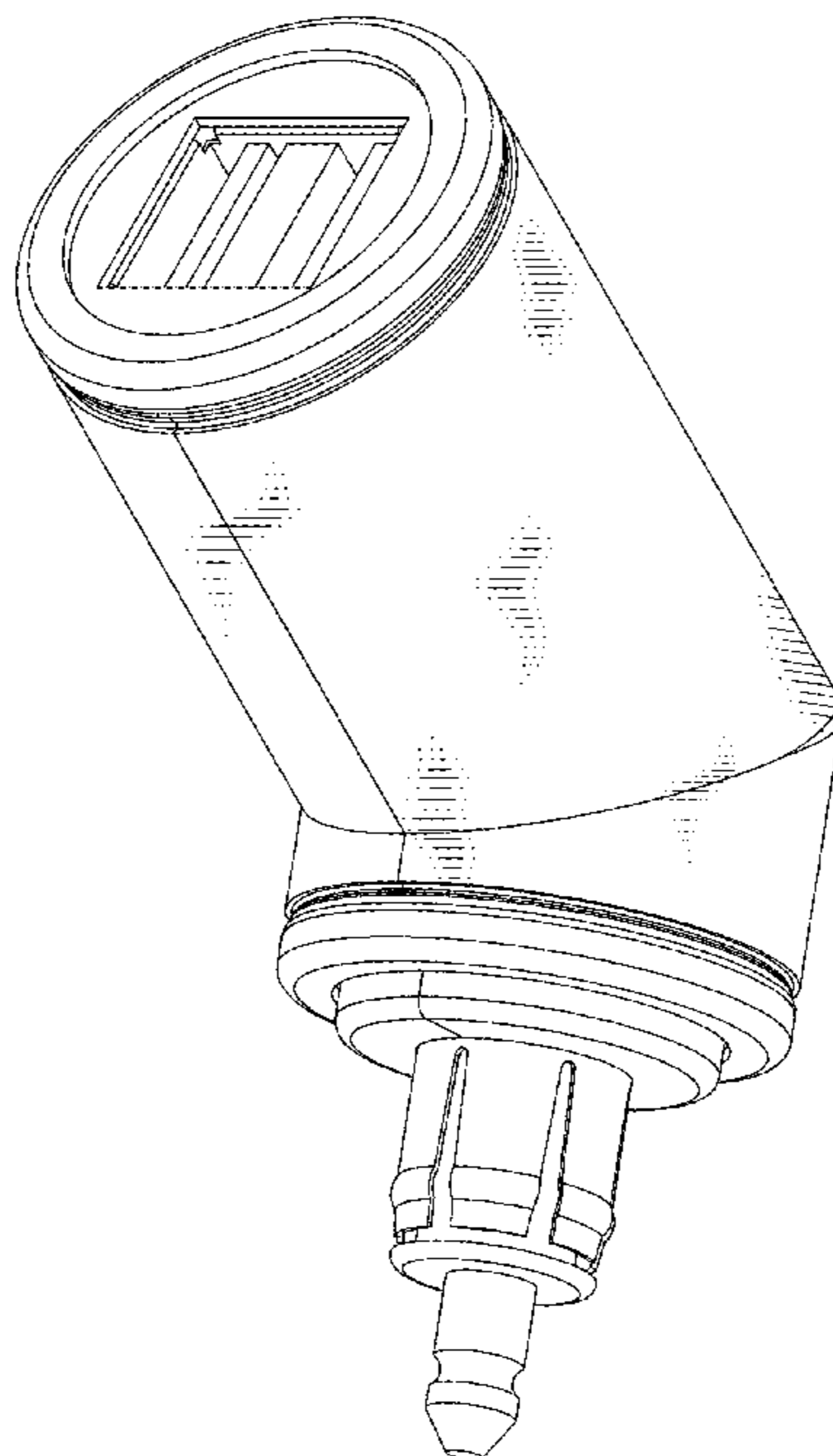
(57) **CLAIM**

The ornamental design for an electric socket for use in motorcycle, as shown and described.

**DESCRIPTION**

FIG. 1 is a perspective view of an electric socket for use in motorcycle showing my design;  
FIG. 2 is a front elevational view thereof;  
FIG. 3 is a rear elevational view thereof;  
FIG. 4 is a left side elevational view thereof;  
FIG. 5 is a right side elevational view thereof;  
FIG. 6 is a top plan view thereof; and,  
FIG. 7 is a bottom plan view thereof.

**1 Claim, 7 Drawing Sheets**



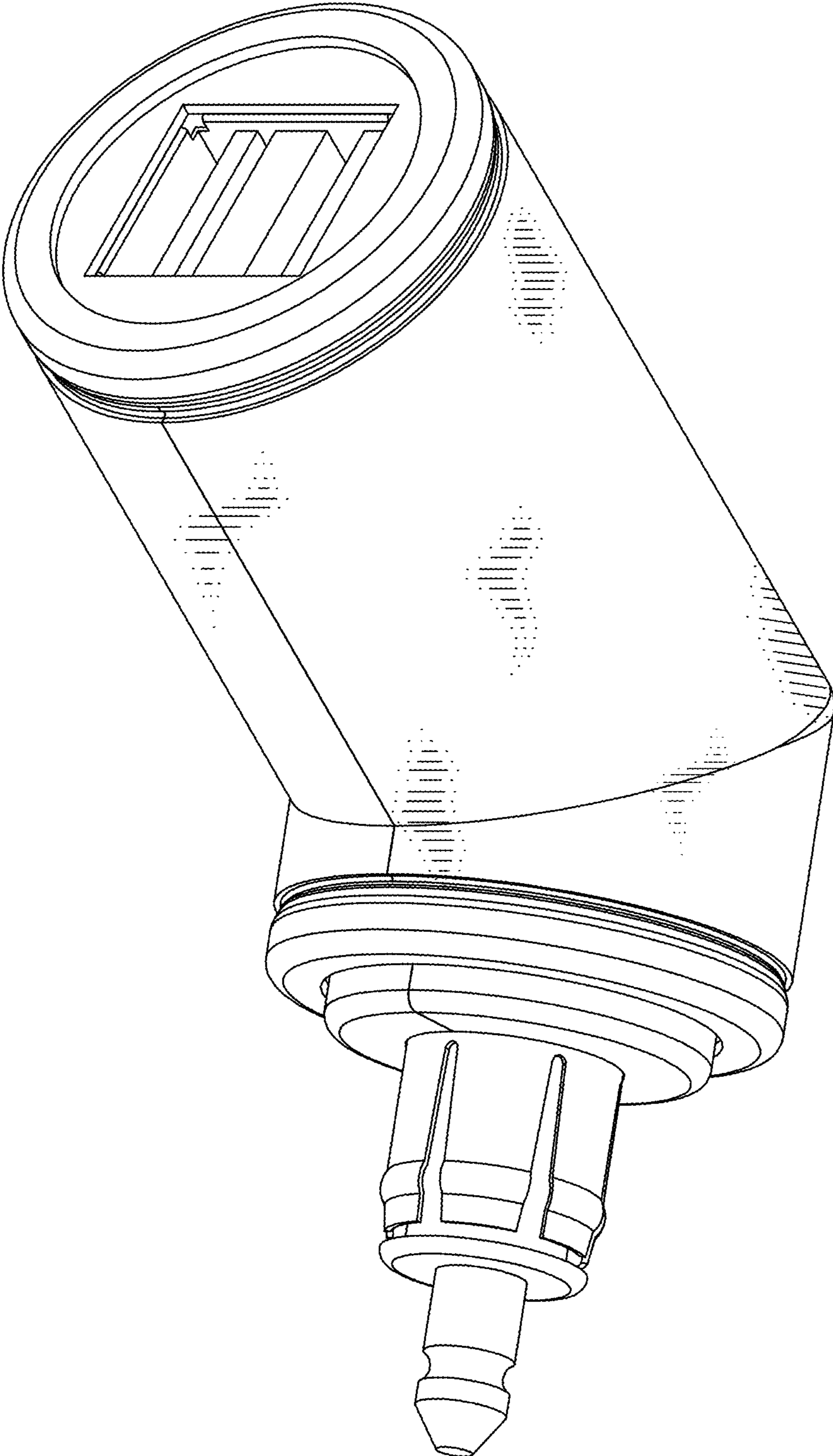


FIG.1

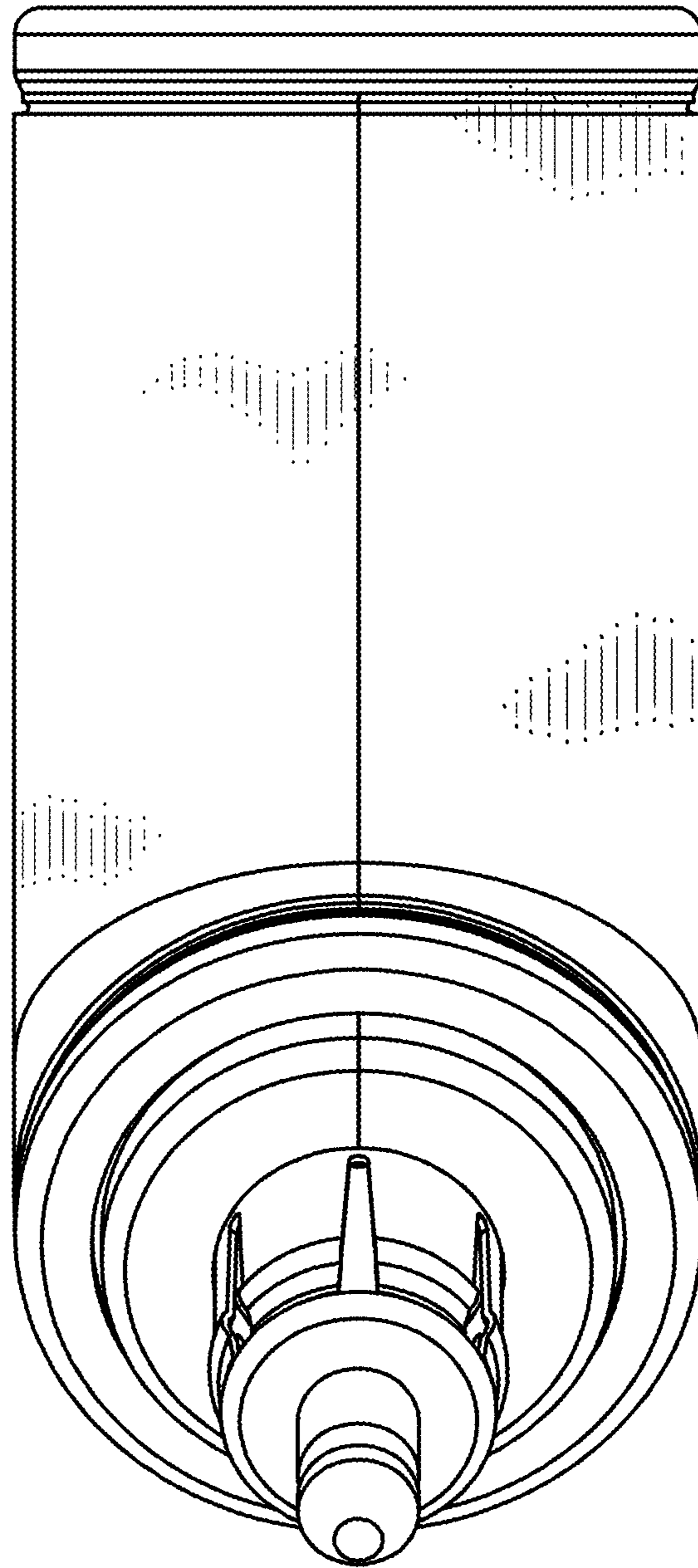


FIG.2

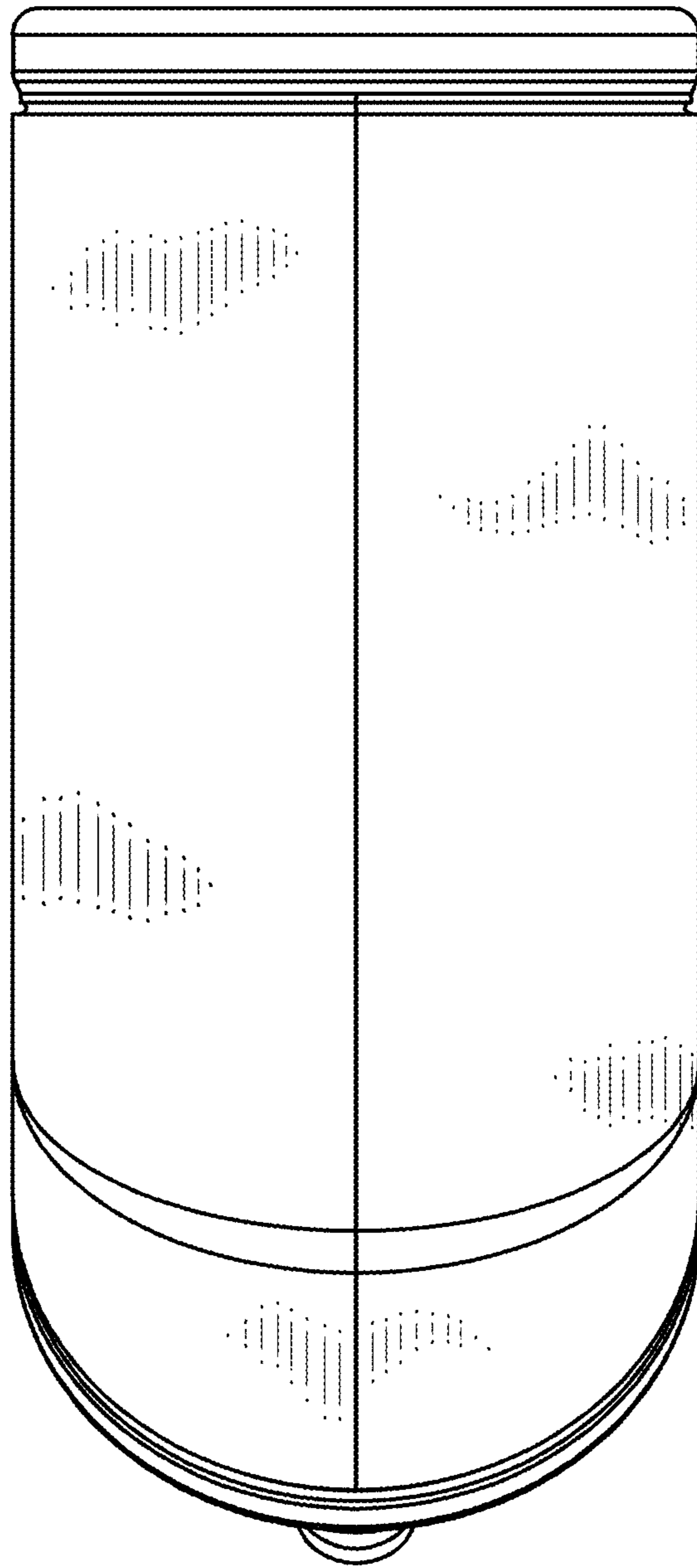


FIG.3

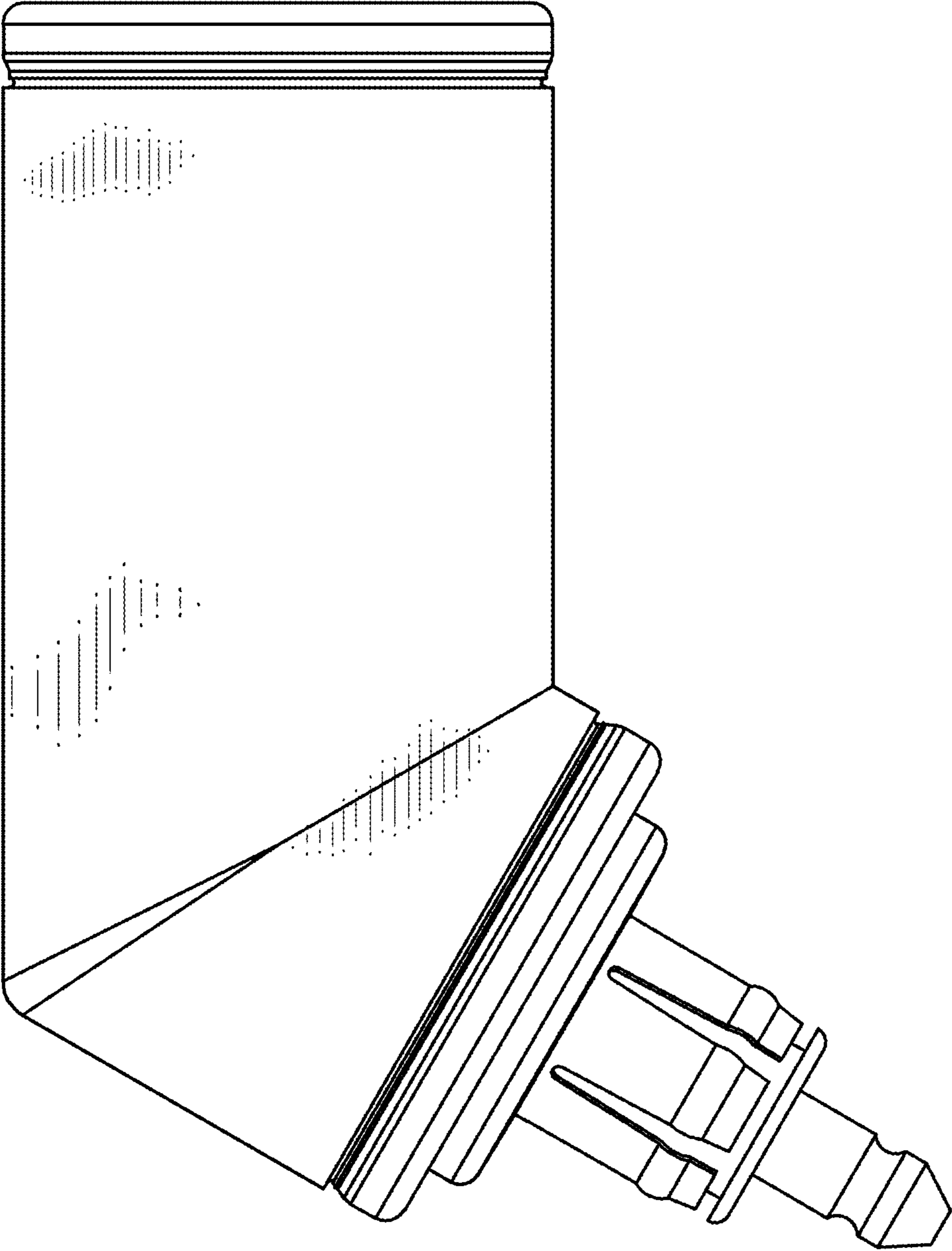


FIG. 4

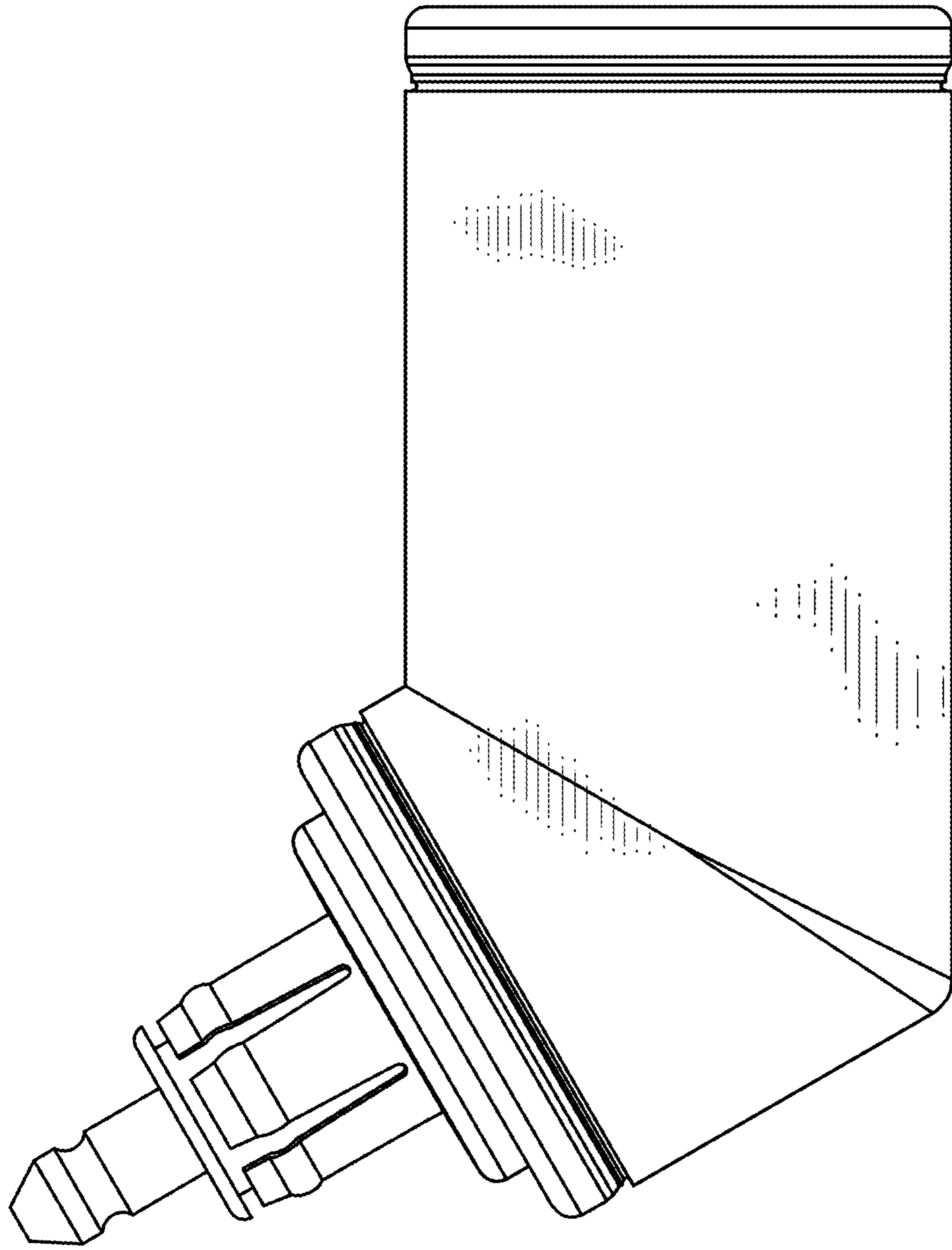


FIG.5

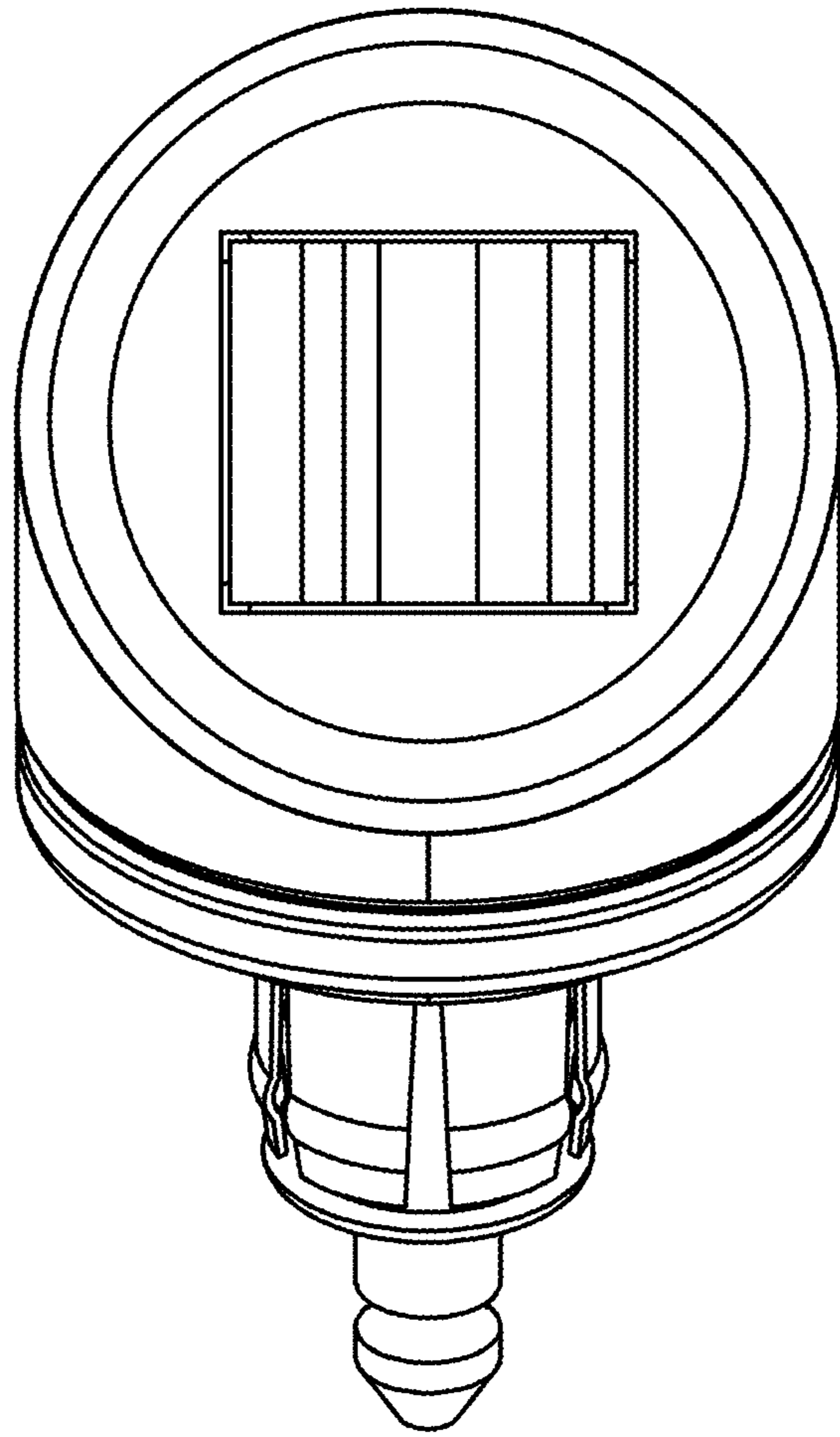


FIG.6

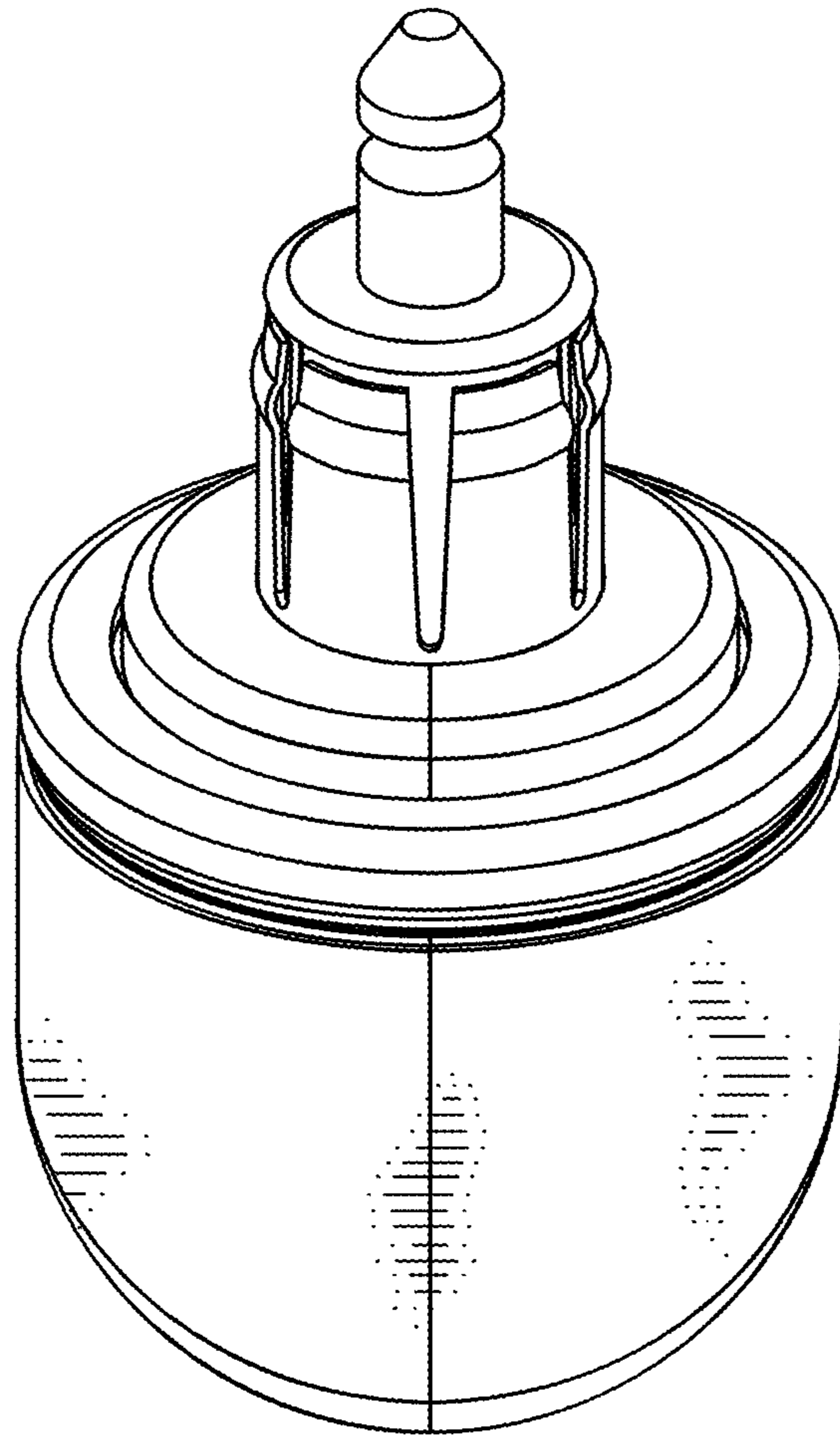


FIG. 7