



US00D889321S

(12) **United States Design Patent**
Cheng

(10) **Patent No.:** **US D889,321 S**

(45) **Date of Patent:** **** Jul. 7, 2020**

(54) **ELECTRIC SOCKET FOR USE IN
MOTORCYCLE**

(71) Applicant: **Hsu-Cheng Cheng**, New Taipei (TW)

(72) Inventor: **Hsu-Cheng Cheng**, New Taipei (TW)

(**) Term: **15 Years**

(21) Appl. No.: **29/675,866**

(22) Filed: **Jan. 6, 2019**

(51) **LOC (12) Cl.** **12-11**

(52) **U.S. Cl.**
USPC **D12/114; D13/144**

(58) **Field of Classification Search**
USPC D12/114, 400; D13/108, 144, 107, 110,
D13/118, 133, 137.1; D14/155, 433,
D14/203.6
CPC H01R 31/02; H01R 31/06; H01R 24/58;
H01R 2201/26; B60N 3/14
See application file for complete search history.

(56) **References Cited**

U.S. PATENT DOCUMENTS

D548,719 S *	8/2007	Dayan	D14/155
D563,873 S *	3/2008	Chen	D13/144
D631,836 S *	2/2011	Kao	D13/108
D631,837 S *	2/2011	Smith	D13/108
D652,384 S *	1/2012	Lee	D13/144
D653,619 S *	2/2012	Tien	D13/144
D654,873 S *	2/2012	Au	D13/144
D655,676 S *	3/2012	Au	D13/144
D671,497 S *	11/2012	Smith	D13/144
D672,313 S *	12/2012	Smith	D13/144
D678,206 S *	3/2013	McSweyn	D13/144
D678,207 S *	3/2013	McSweyn	D13/144
D695,225 S *	12/2013	Chen	D13/144

D700,572 S *	3/2014	Esses	D13/108
D711,829 S *	8/2014	Liu	D13/144
D714,223 S *	9/2014	Huang	D13/144
D719,916 S *	12/2014	Cheng	D13/144
D722,294 S *	2/2015	Lee	D13/144
D743,885 S *	11/2015	Nazar	D13/108
D747,681 S *	1/2016	Lee	D13/108
D778,822 S *	2/2017	Broadhurst, IV	D13/107
D796,446 S *	9/2017	Hahn	D13/144
D800,664 S *	10/2017	Xiao	D13/144
D807,289 S *	1/2018	Wang	D13/107
D807,299 S *	1/2018	Uggla	D13/144
D825,470 S *	8/2018	Wang	D13/144
D828,813 S *	9/2018	Liu	D13/144
D833,397 S *	11/2018	Deng	D13/144
D834,521 S *	11/2018	Wang	D13/144
2018/0366892 A1 *	12/2018	Pekcan	H02J 7/0047

* cited by examiner

Primary Examiner — Michelle E. Wilson

Assistant Examiner — Clese Moore, Jr.

(74) *Attorney, Agent, or Firm* — Pro-Techtor International Services; Ian Oglesby

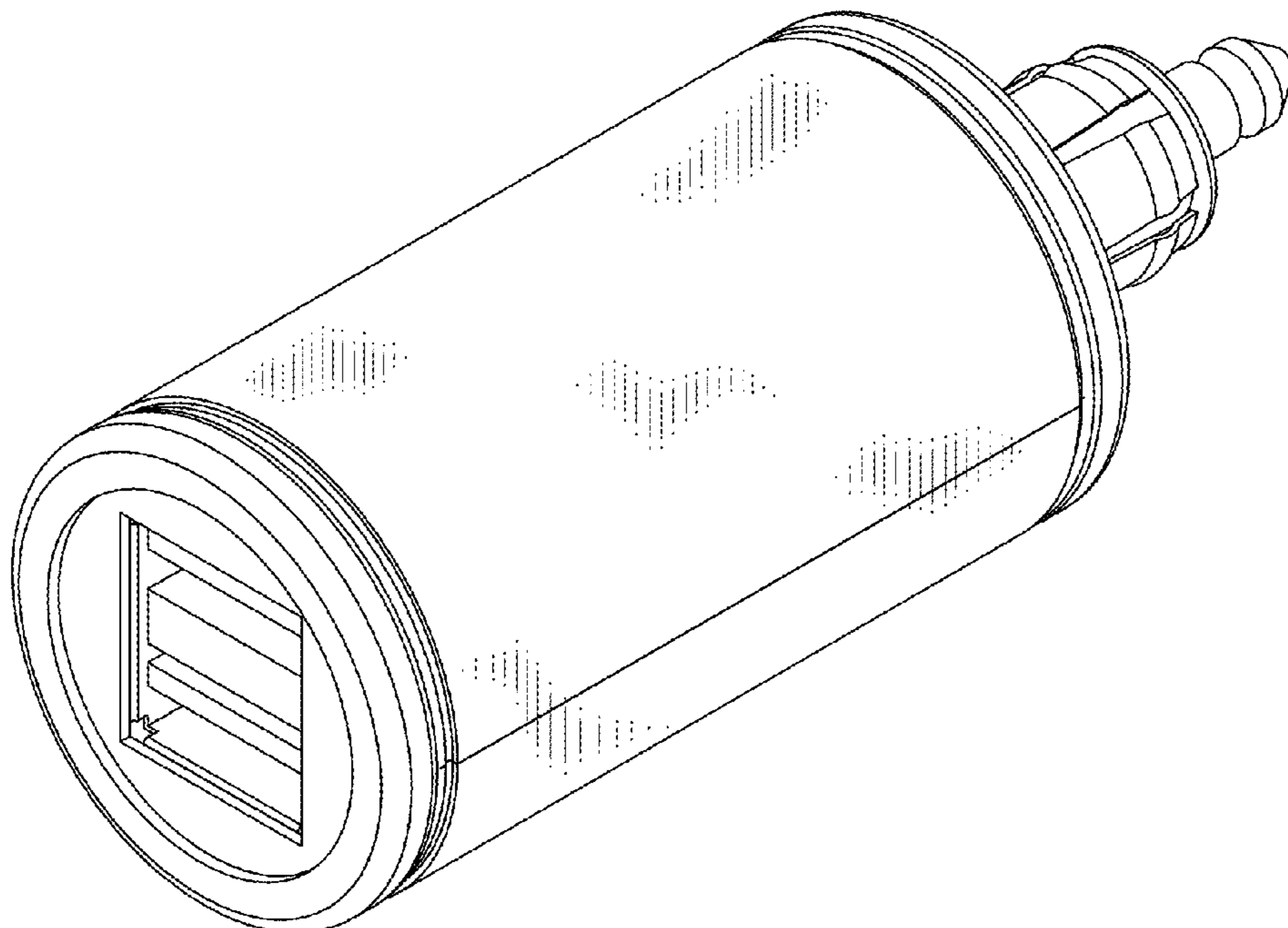
(57) **CLAIM**

The ornamental design for an electric socket for use in motorcycle, as shown and described.

DESCRIPTION

FIG. 1 is a perspective view of an electric socket for use in motorcycle showing my design;
FIG. 2 is a front elevational view thereof;
FIG. 3 is a rear elevational view thereof;
FIG. 4 is a left side elevational view thereof;
FIG. 5 is a right side elevational view thereof;
FIG. 6 is a top plan view thereof; and,
FIG. 7 is a bottom plan view thereof.

1 Claim, 7 Drawing Sheets



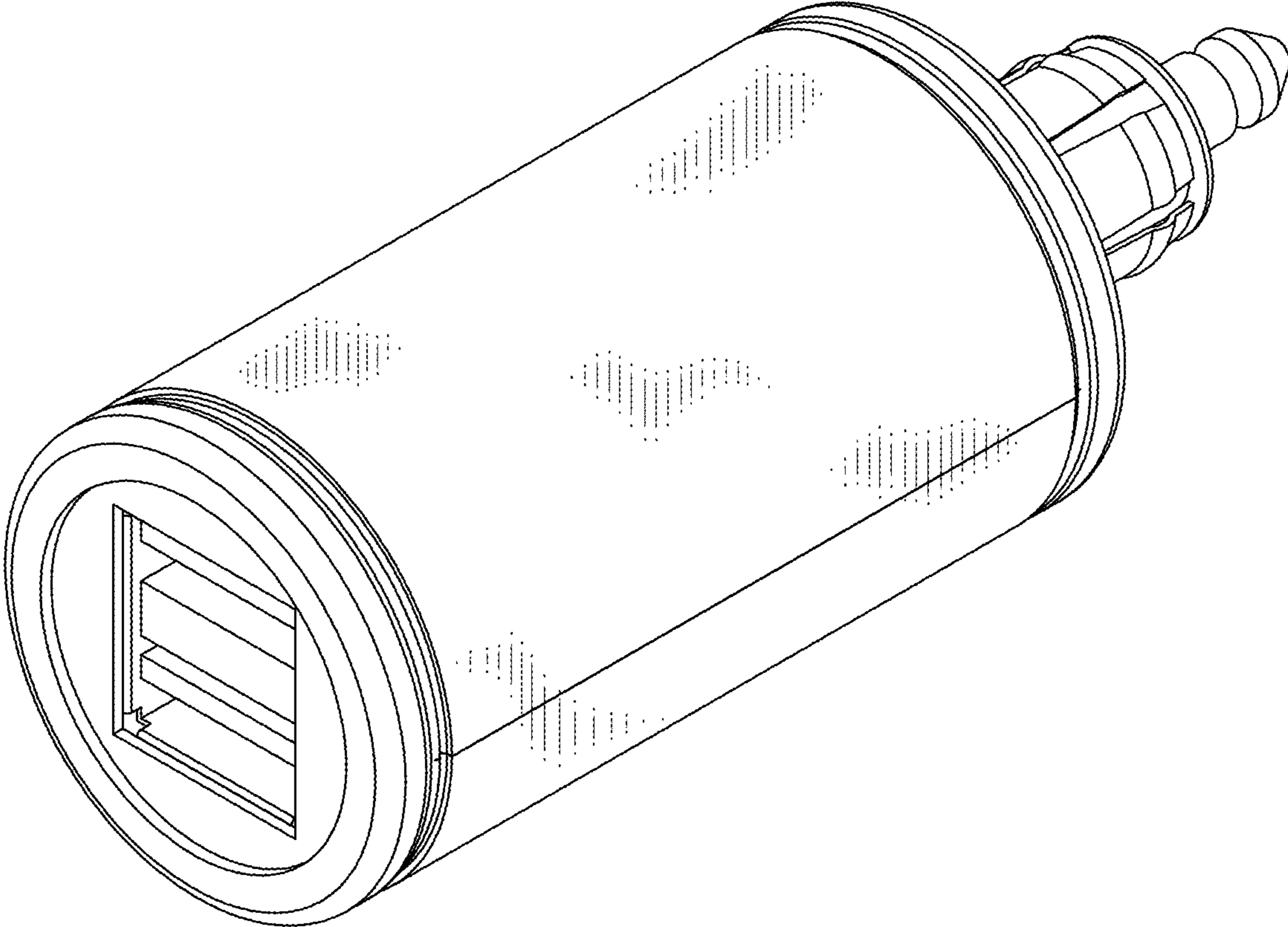


FIG.1

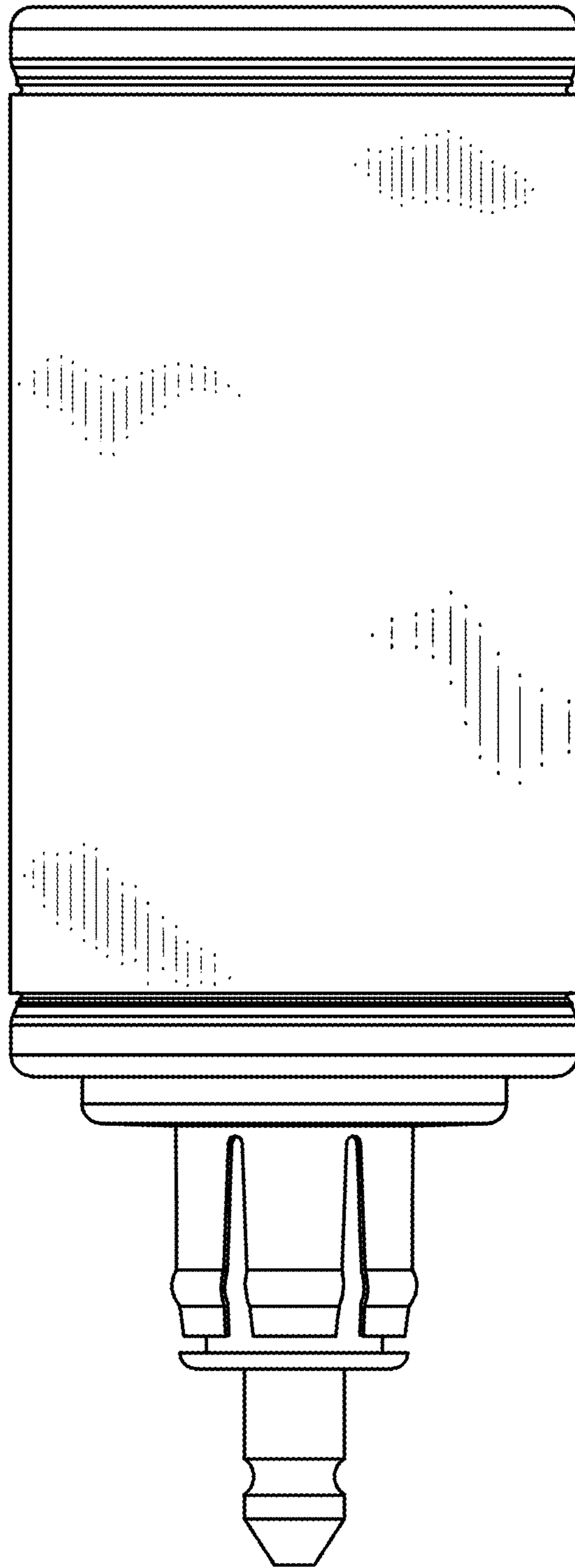


FIG.2

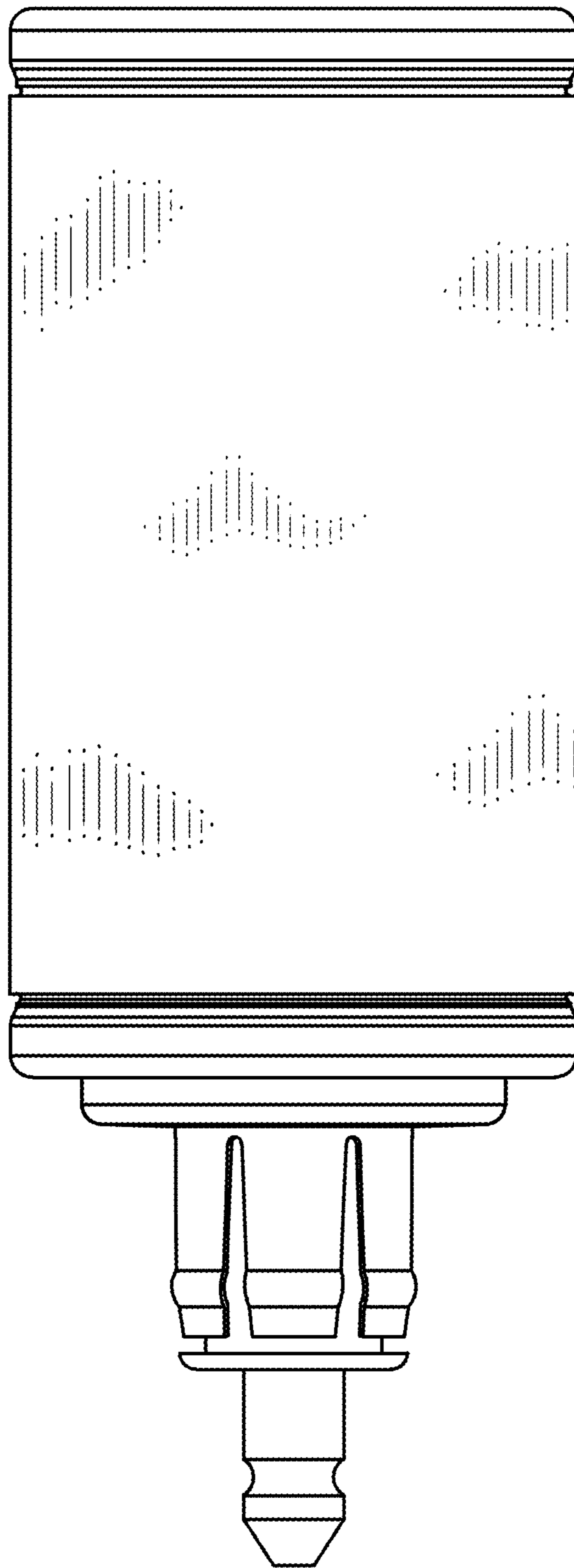


FIG.3

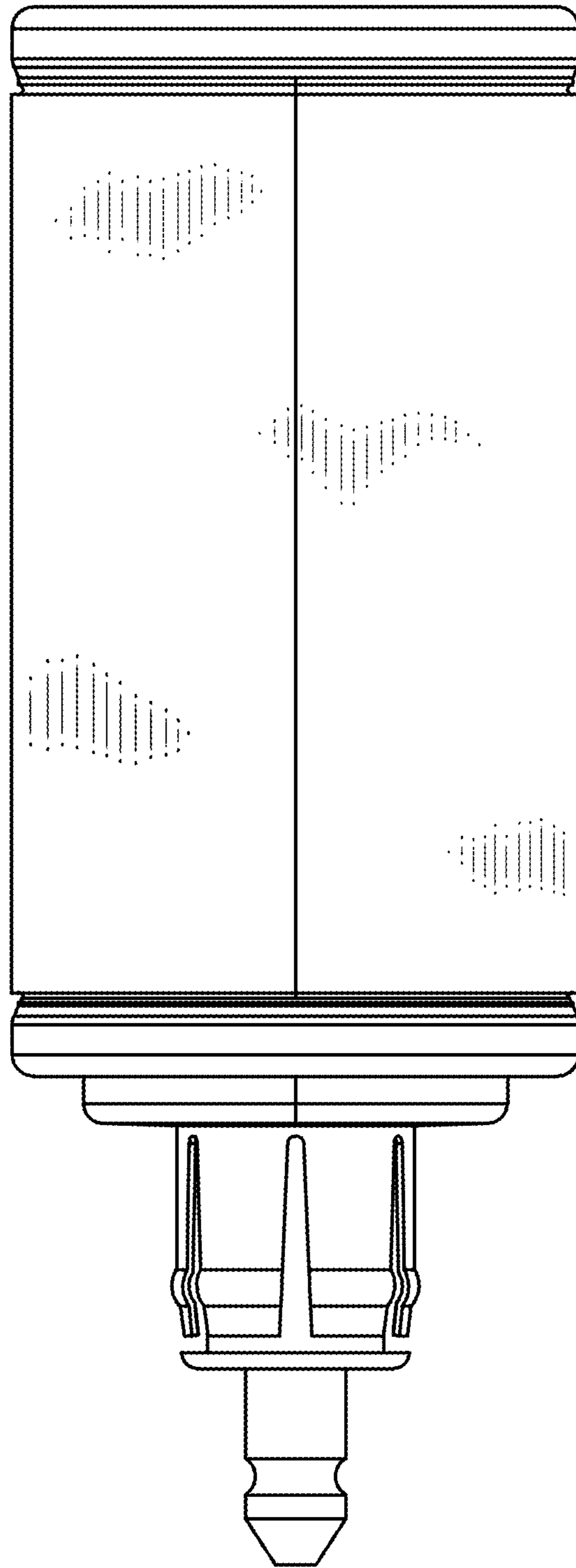


FIG. 4

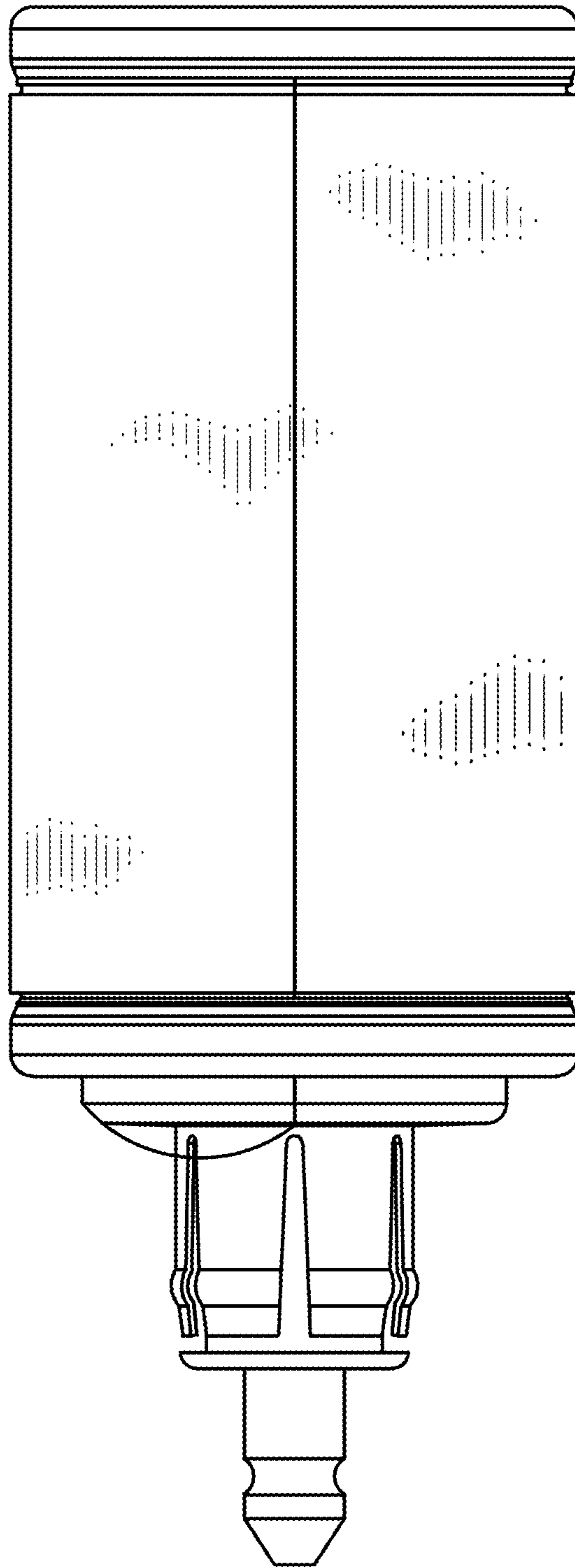


FIG. 5

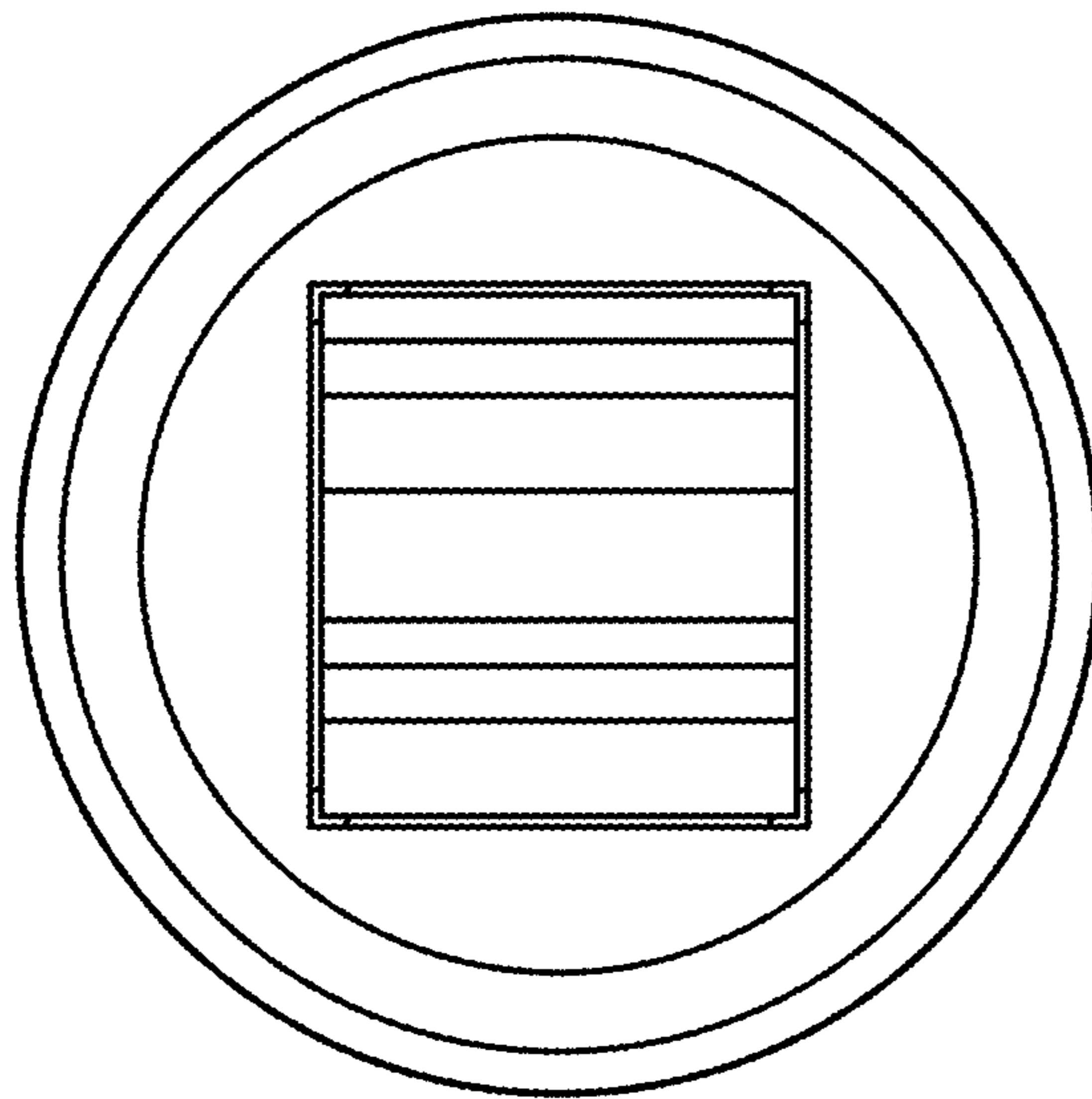


FIG. 6

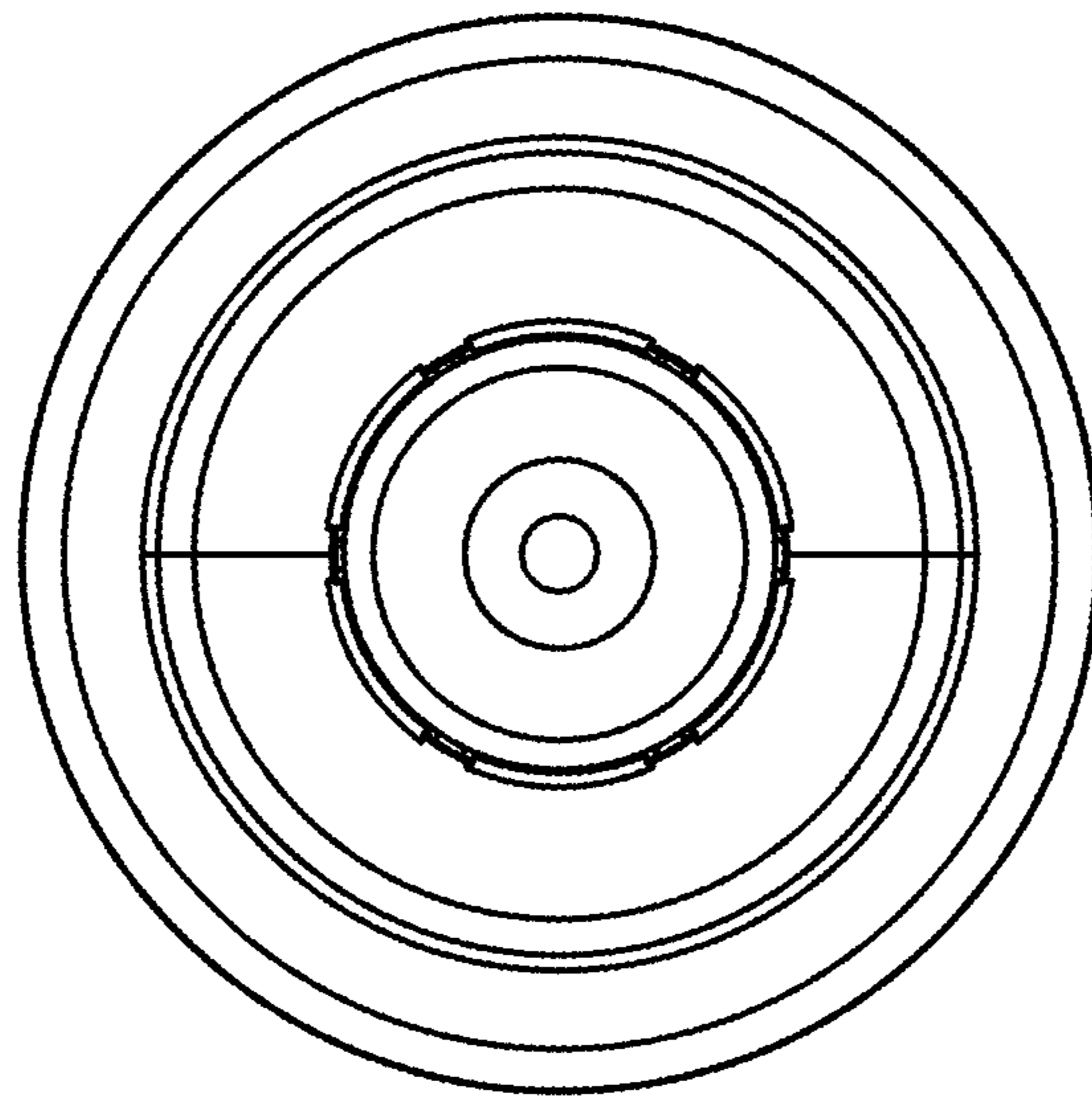


FIG.7