



US00D889315S

(12) **United States Design Patent**
Herriot

(10) **Patent No.:** **US D889,315 S**
(45) **Date of Patent:** **** Jul. 7, 2020**

- (54) **BUTTON COVER**
- (71) Applicant: **Tracey Herriot**, Montreal (CA)
- (72) Inventor: **Tracey Herriot**, Montreal (CA)
- (**) Term: **15 Years**
- (21) Appl. No.: **29/634,899**
- (22) Filed: **Jan. 25, 2018**
- (30) **Foreign Application Priority Data**
Jul. 27, 2017 (CA) 176183
- (51) **LOC (12) Cl.** **02-07**
- (52) **U.S. Cl.**
USPC **D11/222**
- (58) **Field of Classification Search**
USPC D11/95-100, 105, 106, 108, 110, 116,
D11/132, 222, 226, 228, 233; D14/485,
D14/486; D2/828, 829; D8/387;
D99/27, 34
CPC A44C 7/00; A44C 7/002; H01H 13/70;
Y10S 273/30; A44B 1/14; A44B 1/02;
A44B 1/20; A44B 1/00
See application file for complete search history.

- 5,033,168 A * 7/1991 Sbragi A44B 1/14
24/113 MP
- 5,621,951 A * 4/1997 Gould A44B 1/14
24/113 MP
- D475,322 S * 6/2003 Ouellette D11/222
- D712,308 S * 9/2014 Weber D11/222
- D763,730 S * 8/2016 Nielsen D11/222
- D791,016 S * 7/2017 Gramatikas D11/222
- D833,281 S * 11/2018 Orcutt D9/455
- 2004/0226145 A1* 11/2004 Ouellette A44B 1/14
24/113 MP

* cited by examiner

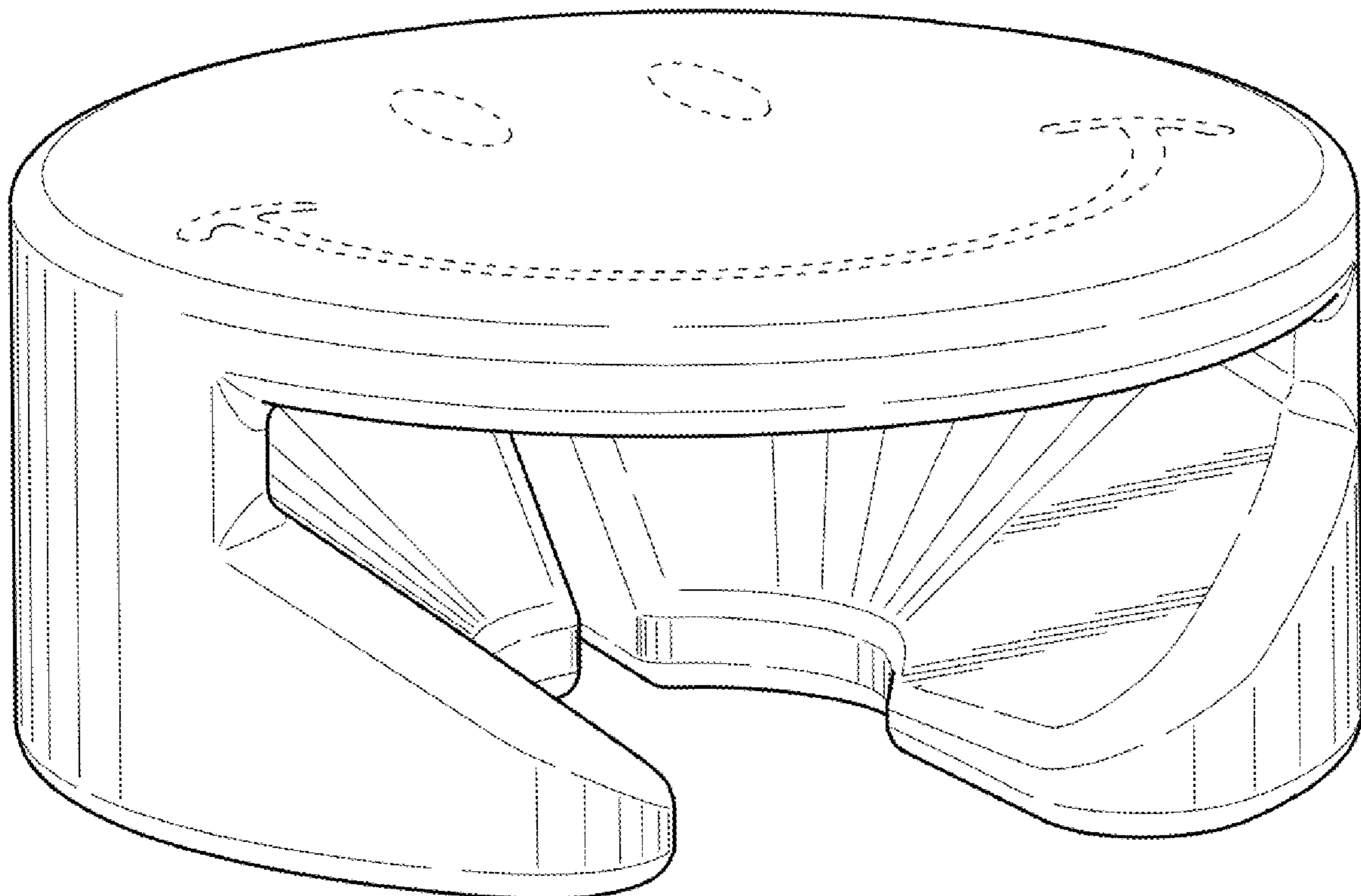
Primary Examiner — Brandon M Rosati
Assistant Examiner — John A Voytek
(74) *Attorney, Agent, or Firm* — Standley Law Group
LLP; Adam J. Smith; Ken W. Pung

- (56) **References Cited**
U.S. PATENT DOCUMENTS
4,425,687 A * 1/1984 Sauer A44B 9/18
24/664
D288,185 S * 2/1987 Derosa D11/222

(57) **CLAIM**
The ornamental design for a button cover, as shown and described.

DESCRIPTION
FIG. 1 is a front perspective view of a button cover;
FIG. 2 is a front elevation view thereof;
FIG. 3 is a top elevation view thereof;
FIG. 4 is a back elevation view thereof;
FIG. 5 is a bottom elevation view thereof; and,
FIG. 6 is a left side elevation view thereof, a right side
elevation view being a mirror of the left side.
The broken lines form no part of the claimed design.

1 Claim, 3 Drawing Sheets



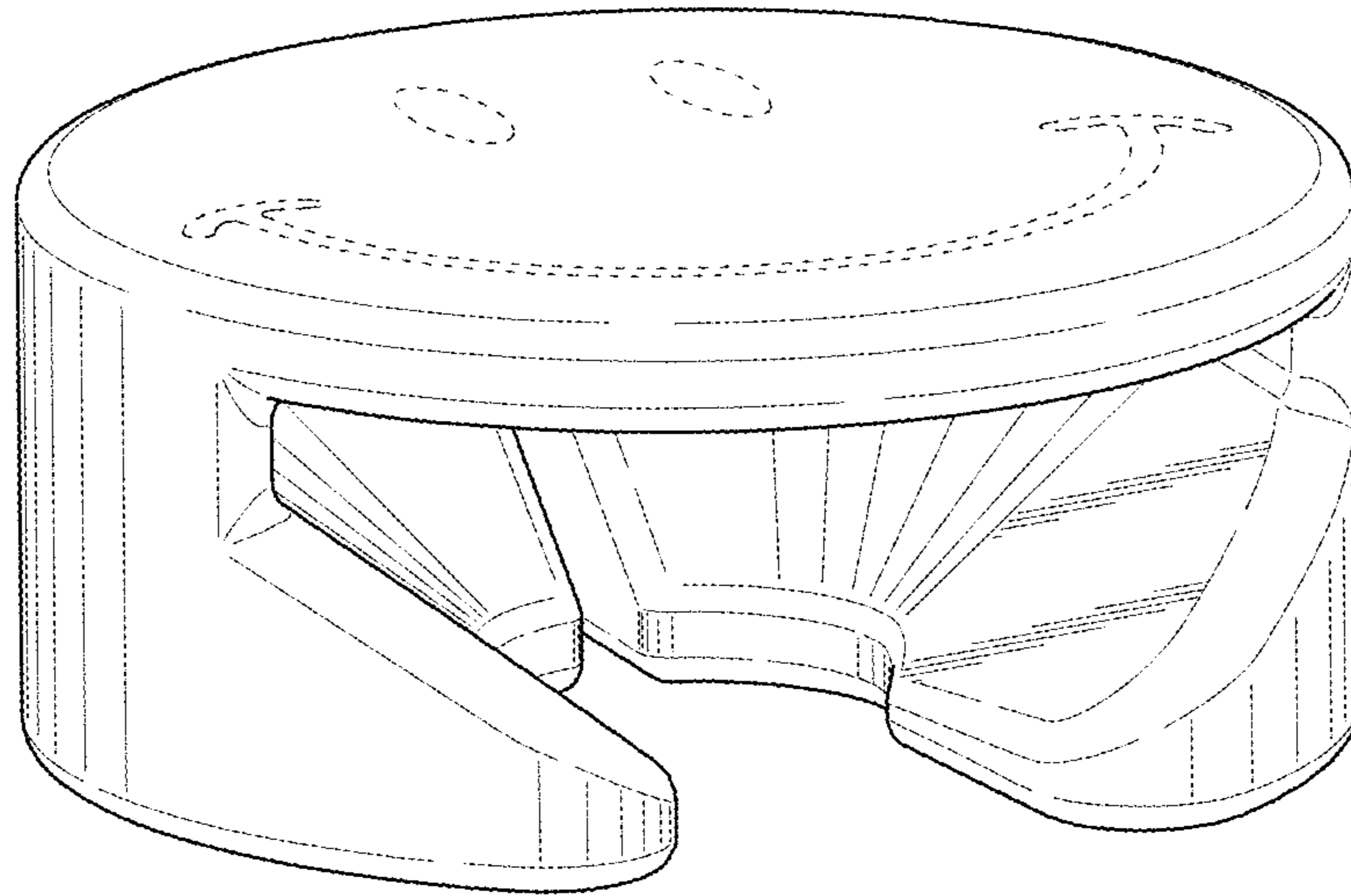


FIG. 1

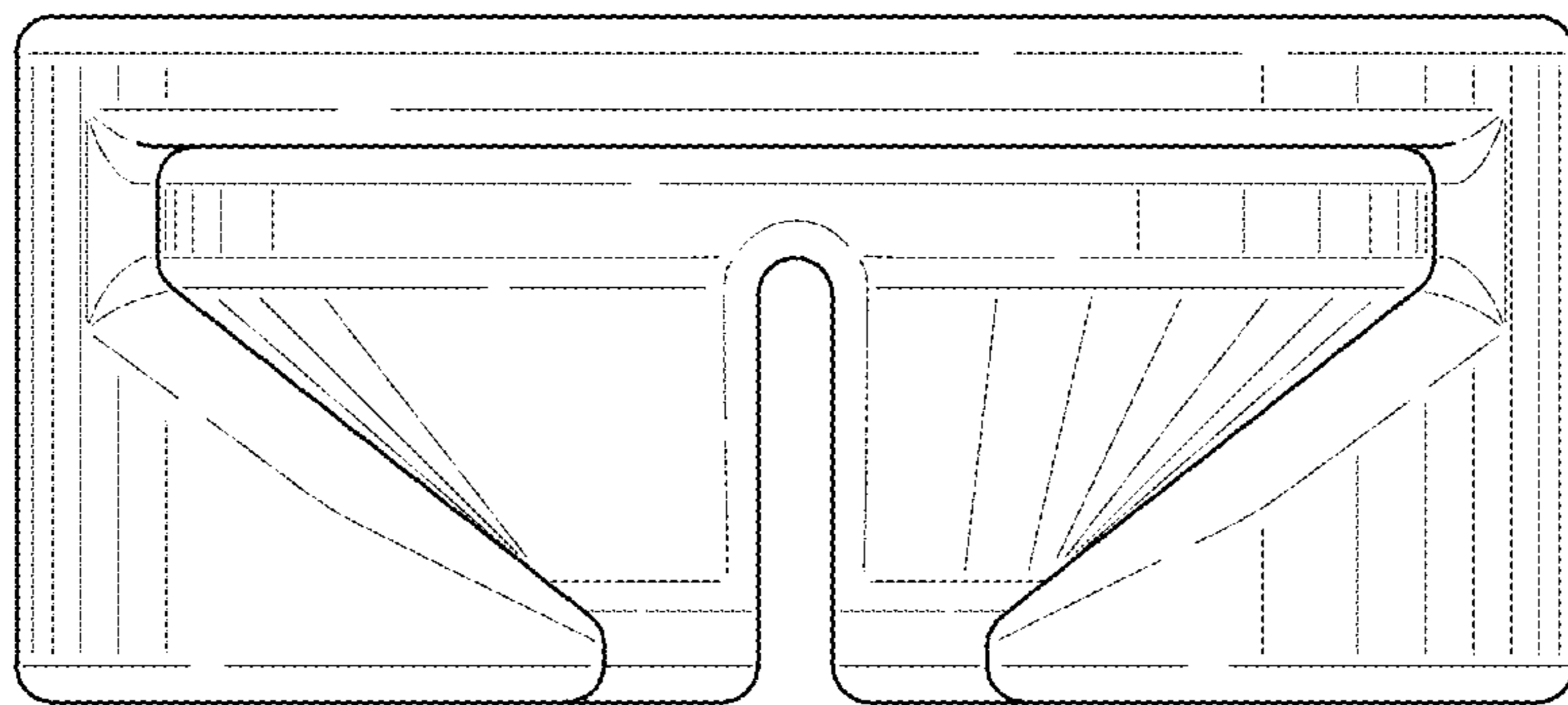


FIG. 2



FIG. 3

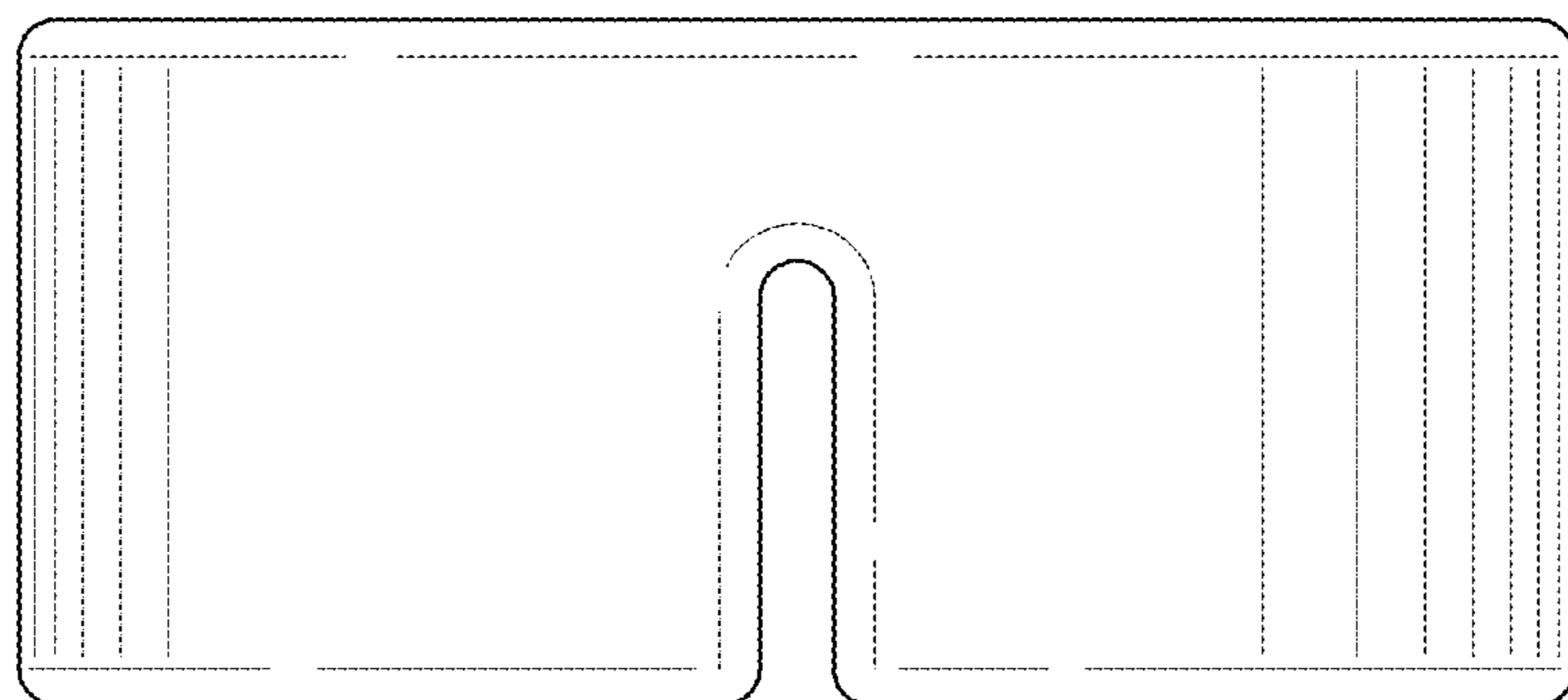


FIG. 4

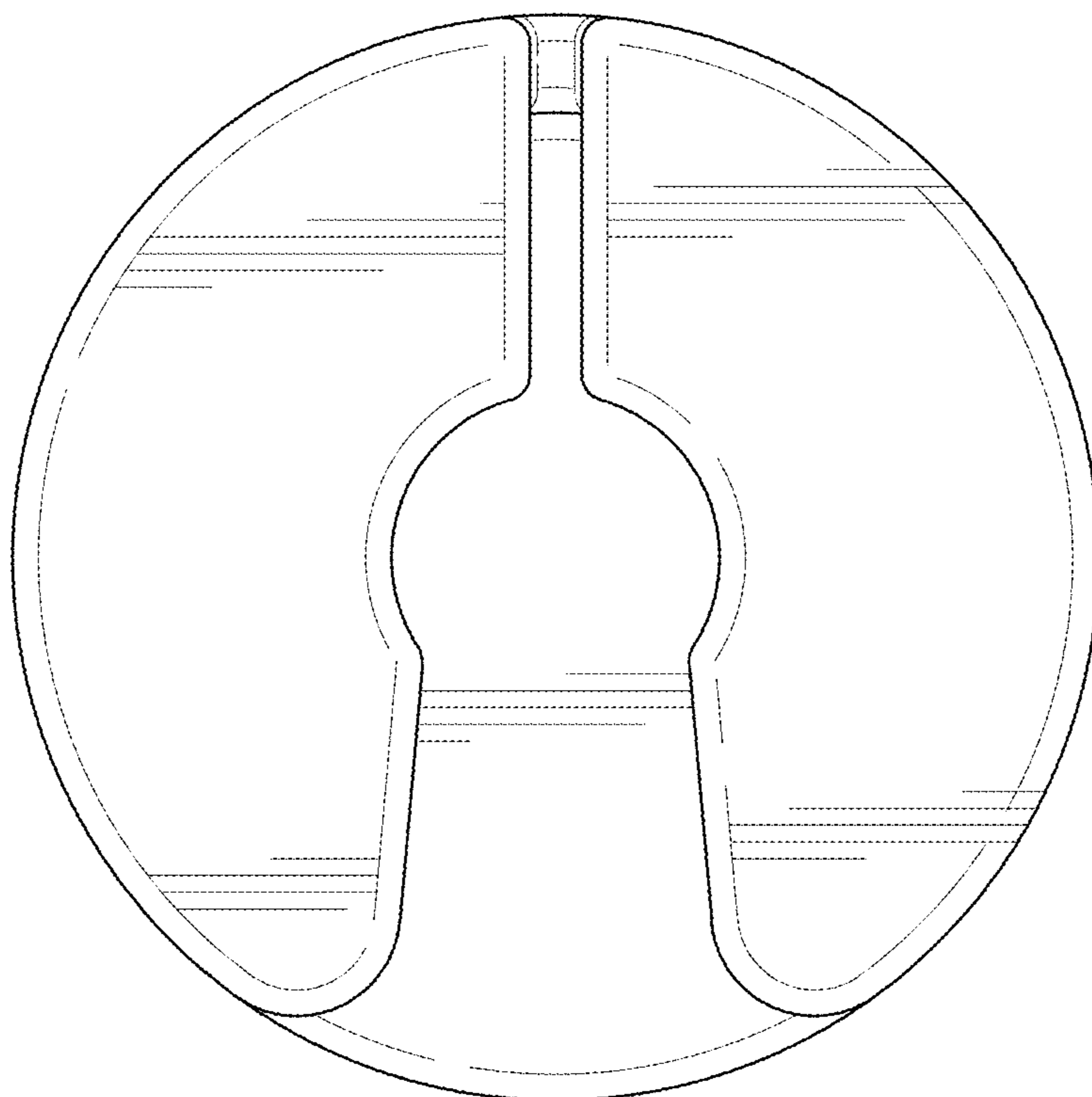


FIG. 5

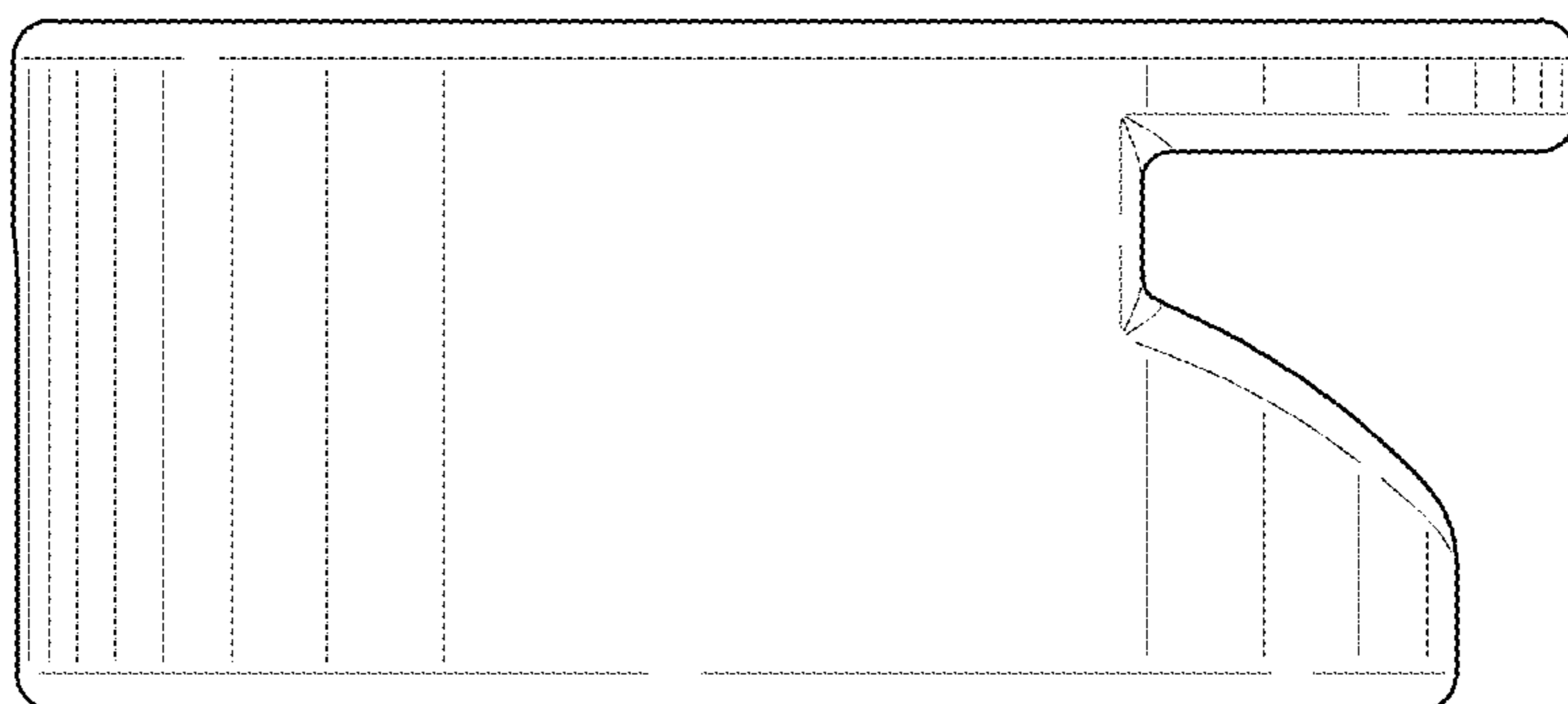


FIG. 6