



US00D889310S

(12) **United States Design Patent**
Thompson

(10) **Patent No.:** **US D889,310 S**
(45) **Date of Patent:** **** Jul. 7, 2020**

(54) **SET OF ALPHABET CHARMS**

DESCRIPTION

(71) Applicant: **Russell Thompson**, Dayton, TX (US)

(72) Inventor: **Russell Thompson**, Dayton, TX (US)

(**) Term: **15 Years**

(21) Appl. No.: **29/610,209**

(22) Filed: **Jul. 10, 2017**

Related U.S. Application Data

(63) Continuation-in-part of application No. 29/502,913, filed on Sep. 21, 2014, now abandoned.

(51) **LOC (12) Cl.** **11-01**

(52) **U.S. Cl.**
USPC **D11/81; D11/96**

(58) **Field of Classification Search**
USPC D11/1-6, 43, 46, 61, 79, 81-83, 96, 116
(Continued)

(56) **References Cited**

U.S. PATENT DOCUMENTS

2,123,704 A * 7/1938 Meissner A44C 15/004
63/1.13
2,342,237 A * 2/1944 Barbieri A44C 15/004
D11/61

(Continued)

OTHER PUBLICATIONS

3D A+ Plus Grade Letter Charm, available for sale since at least Jul. 30, 2013, online. Site visited Apr. 24, 2019. Internet URL:<“https://web.archive.org/web/20130730183334/https://auntiestreasures.com/3d-a-plus-grade-letter-charm-p-37371.html”> (Year: 2013).*

Primary Examiner — Llorellys Martinez

(74) *Attorney, Agent, or Firm* — Karen B. Tripp

(57) **CLAIM**

The ornamental design for a set of alphabet charms, as shown and described.

FIG. 1 is a perspective view of a first embodiment of a set of alphabet charms, showing the letter A charm according to the present invention.

FIG. 2 is a front elevational view of the charm of FIG. 1. FIG. 3 is a back elevational view of the charm of FIG. 1. FIG. 4 is a right side elevational view of the charm of FIG. 1.

FIG. 5 is a left side elevational view of the charm of FIG. 1. FIG. 6 is a top view of the charm of FIG. 1. FIG. 7 is a bottom view of the charm of FIG. 1.

FIG. 8 is a perspective view of a second embodiment of the set of alphabet charms, showing the letter B charm according to the present invention.

FIG. 9 is a front elevational view of the charm of FIG. 8. FIG. 10 is a back elevational view of the charm of FIG. 8. FIG. 11 is a right side elevational view of the charm of FIG. 8.

FIG. 12 is a left side elevational view of the charm of FIG. 8.

FIG. 13 is a top view of the charm of FIG. 8. FIG. 14 is a bottom view of the charm of FIG. 8. FIG. 15 is a perspective view of a third embodiment of the set of alphabet charms, showing the letter C charm according to the present invention.

FIG. 16 is a front elevational view of the charm of FIG. 15. FIG. 17 is a back elevational view of the charm of FIG. 15. FIG. 18 is a right side elevational view of the charm of FIG. 15.

FIG. 19 is a left side elevational view of the charm of FIG. 15.

FIG. 20 is a top view of the charm of FIG. 15. FIG. 21 is a bottom view of the charm of FIG. 15. FIG. 22 is a perspective view of a fourth embodiment of the set of alphabet charms, showing the letter D charm according to the present invention.

FIG. 23 is a front elevational view of the charm of FIG. 22. FIG. 24 is a back elevational view of the charm of FIG. 22. FIG. 25 is a right side elevational view of the charm of FIG. 22.

FIG. 26 is a left side elevational view of the charm of FIG. 22.

(Continued)

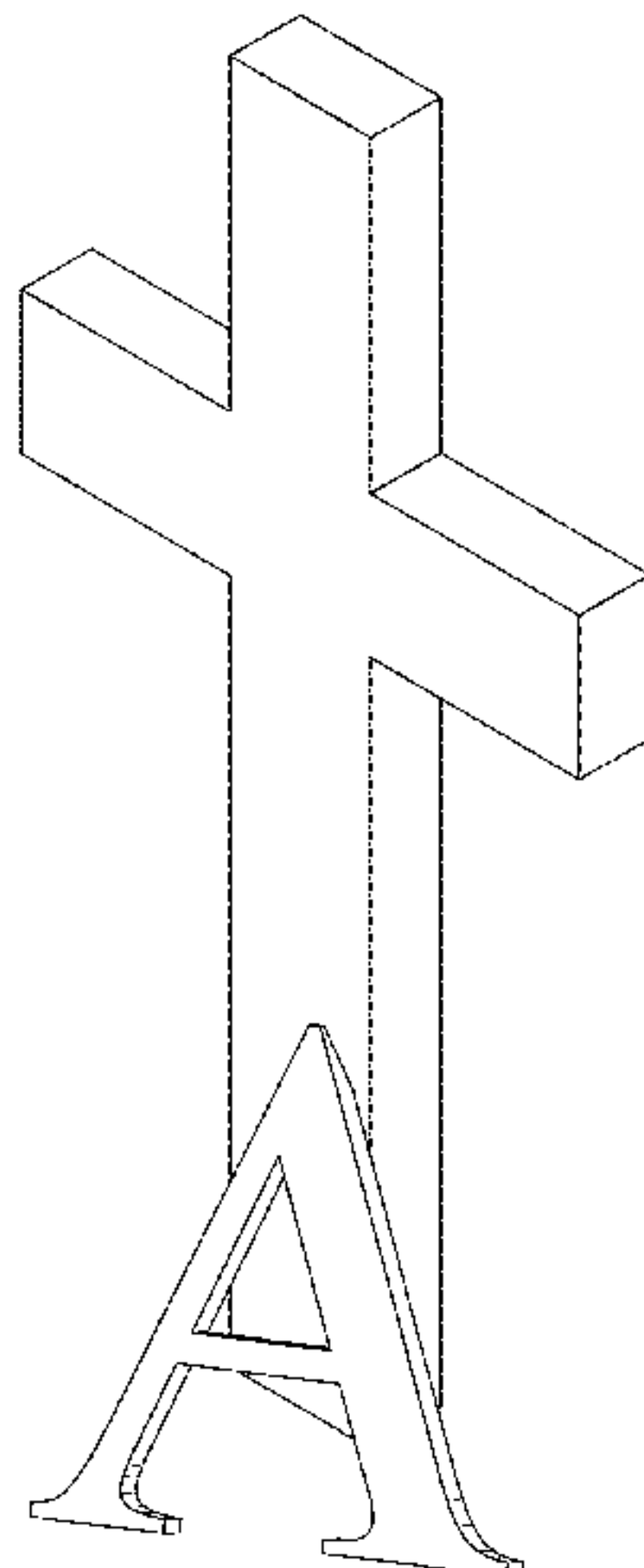


FIG. 27 is a top view of the charm of FIG. 22.

FIG. 28 is a bottom view of the charm of FIG. 22.

FIG. 29 is a perspective view of a fifth embodiment of the set of alphabet charms, showing the letter E charm according to the present invention.

FIG. 30 is a front elevational view of the charm of FIG. 29.

FIG. 31 is a back elevational view of the charm of FIG. 29.

FIG. 32 is a right side elevational view of the charm of FIG. 29.

FIG. 33 is a left side elevational view of the charm of FIG. 29.

FIG. 34 is a top view of the charm of FIG. 29.

FIG. 35 is a bottom view of the charm of FIG. 29.

FIG. 36 is a perspective view of a sixth embodiment of the set of alphabet charms, showing the letter F charm according to the present invention.

FIG. 37 is a front elevational view of the charm of FIG. 36.

FIG. 38 is a back elevational view of the charm of FIG. 36.

FIG. 39 is a right side elevational view of the charm of FIG. 36.

FIG. 40 is a left side elevational view of the charm of FIG. 36.

FIG. 41 is a top view of the charm of FIG. 36.

FIG. 42 is a bottom view of the charm of FIG. 36.

FIG. 43 is a perspective view of a seventh embodiment of the set of alphabet charms, showing the letter G charm according to the present invention.

FIG. 44 is a front elevational view of the charm of FIG. 43.

FIG. 45 is a back elevational view of the charm of FIG. 43.

FIG. 46 is a right side elevational view of the charm of FIG. 43.

FIG. 47 is a left side elevational view of the charm of FIG. 43.

FIG. 48 is a top view of the charm of FIG. 43.

FIG. 49 is a bottom view of the charm of FIG. 43.

FIG. 50 is a perspective view of an eighth embodiment of the set of alphabet charms, showing the letter H charm according to the present invention.

FIG. 51 is a front elevational view of the charm of FIG. 50.

FIG. 52 is a back elevational view of the charm of FIG. 50.

FIG. 53 is a right side elevational view of the charm of FIG. 50.

FIG. 54 is a left side elevational view of the charm of FIG. 50.

FIG. 55 is a top view of the charm of FIG. 50.

FIG. 56 is a bottom view of the charm of FIG. 50.

FIG. 57 is a perspective view of a ninth embodiment of the set of alphabet charms, showing the letter I charm according to the present invention.

FIG. 58 is a front elevational view of the charm of FIG. 57.

FIG. 59 is a back elevational view of the charm of FIG. 57.

FIG. 60 is a right side elevational view of the charm of FIG. 57.

FIG. 61 is a left side elevational view of the charm of FIG. 57.

FIG. 62 is a top view of the charm of FIG. 57.

FIG. 63 is a bottom view of the charm of FIG. 57.

FIG. 64 is a perspective view of a tenth embodiment of the set of alphabet charms, showing the letter J charm according to the present invention.

FIG. 65 is a front elevational view of the charm of FIG. 64.

FIG. 66 is a back elevational view of the charm of FIG. 64.

FIG. 67 is a right side elevational view of the charm of FIG. 64.

FIG. 68 is a left side elevational view of the charm of FIG. 64.

FIG. 69 is a top view of the charm of FIG. 64.

FIG. 70 is a bottom view of the charm of FIG. 64.

FIG. 71 is a perspective view of an eleventh embodiment of the set of alphabet charms, showing the letter K charm according to the present invention.

FIG. 72 is a front elevational view of the charm of FIG. 71.

FIG. 73 is a back elevational view of the charm of FIG. 71.

FIG. 74 is a right side elevational view of the charm of FIG. 71.

FIG. 75 is a left side elevational view of the charm of FIG. 71.

FIG. 76 is a top view of the charm of FIG. 71.

FIG. 77 is a bottom view of the charm of FIG. 71.

FIG. 78 is a perspective view of a twelfth embodiment of the set of alphabet charms, showing the letter L charm according to the present invention.

FIG. 79 is a front elevational view of the charm of FIG. 78.

FIG. 80 is a back elevational view of the charm of FIG. 78.

FIG. 81 is a right side elevational view of the charm of FIG. 78.

FIG. 82 is a left side elevational view of the charm of FIG. 78.

FIG. 83 is a top view of the charm of FIG. 78.

FIG. 84 is a bottom view of the charm of FIG. 78.

FIG. 85 is a perspective view of a thirteenth embodiment of the set of alphabet charms, showing the letter M charm according to the present invention.

FIG. 86 is a front elevational view of the charm of FIG. 85.

FIG. 87 is a back elevational view of the charm of FIG. 85.

FIG. 88 is a right side elevational view of the charm of FIG. 85.

FIG. 89 is a left side elevational view of the charm of FIG. 85.

FIG. 90 is a top view of the charm of FIG. 85.

FIG. 91 is a bottom view of the charm of FIG. 85.

FIG. 92 is a perspective view of a fourteenth embodiment of the set of alphabet charms, showing the letter N charm according to the present invention.

FIG. 93 is a front elevational view of the charm of FIG. 92.

FIG. 94 is a back elevational view of the charm of FIG. 92.

FIG. 95 is a right side elevational view of the charm of FIG. 92.

FIG. 96 is a left side elevational view of the charm of FIG. 92.

FIG. 97 is a top view of the charm of FIG. 92.

FIG. 98 is a bottom view of the charm of FIG. 92.

FIG. 99 is a perspective view of a fifteenth embodiment of the set of alphabet charms, showing the letter O charm according to the present invention.

FIG. 100 is a front elevational view of the charm of FIG. 99.

FIG. 101 is a back elevational view of the charm of FIG. 99.

FIG. 102 is a right side elevational view of the charm of FIG. 99.

FIG. 103 is a left side elevational view of the charm of FIG. 99.

FIG. 104 is a top view of the charm of FIG. 99.

FIG. 105 is a bottom view of the charm of FIG. 99.

FIG. 106 is a perspective view of a sixteenth embodiment of the set of alphabet charms, showing the letter P charm according to the present invention.

FIG. 107 is a front elevational view of the charm of FIG. 106.
 FIG. 108 is a back elevational view of the charm of FIG. 106.
 FIG. 109 is a right side elevational view of the charm of FIG. 106.
 FIG. 110 is a left side elevational view of the charm of FIG. 106.
 FIG. 111 is a top view of the charm of FIG. 106.
 FIG. 112 is a bottom view of the charm of FIG. 106.
 FIG. 113 is a perspective view of a seventeenth embodiment of the set of alphabet charms, showing the letter Q charm according to the present invention.
 FIG. 114 is a front elevational view of the charm of FIG. 113.
 FIG. 115 is a back elevational view of the charm of FIG. 113.
 FIG. 116 is a right side elevational view of the charm of FIG. 113.
 FIG. 117 is a left side elevational view of the charm of FIG. 113.
 FIG. 118 is a top view of the charm of FIG. 113.
 FIG. 119 is a bottom view of the charm of FIG. 113.
 FIG. 120 is a perspective view of an eighteenth embodiment of the set of alphabet charms, showing the letter R charm according to the present invention.
 FIG. 121 is a front elevational view of the charm of FIG. 120.
 FIG. 122 is a back elevational view of the charm of FIG. 120.
 FIG. 123 is a right side elevational view of the charm of FIG. 120.
 FIG. 124 is a left side elevational view of the charm of FIG. 120.
 FIG. 125 is a top view of the charm of FIG. 120.
 FIG. 126 is a bottom view of the charm of FIG. 120.
 FIG. 127 is a perspective view of a nineteenth embodiment of the set of alphabet charms, showing the letter S charm according to the present invention.
 FIG. 128 is a front elevational view of the charm of FIG. 127.
 FIG. 129 is a back elevational view of the charm of FIG. 127.
 FIG. 130 is a right side elevational view of the charm of FIG. 127.
 FIG. 131 is a left side elevational view of the charm of FIG. 127.
 FIG. 132 is a top view of the charm of FIG. 127.
 FIG. 133 is a bottom view of the charm of FIG. 127.
 FIG. 134 is a perspective view of a twentieth embodiment of the set of alphabet charms, showing the letter T charm according to the present invention.
 FIG. 135 is a front elevational view of the charm of FIG. 134.
 FIG. 136 is a back elevational view of the charm of FIG. 134.
 FIG. 137 is a right side elevational view of the charm of FIG. 134.
 FIG. 138 is a left side elevational view of the charm of FIG. 134.
 FIG. 139 is a top view of the charm of FIG. 134.
 FIG. 140 is a bottom view of the charm of FIG. 134.
 FIG. 141 is a perspective view of a twenty-first embodiment of the set of alphabet charms, showing the letter U charm according to the present invention.

FIG. 142 is a front elevational view of the charm of FIG. 141.
 FIG. 143 is a back elevational view of the charm of FIG. 141.
 FIG. 144 is a right side elevational view of the charm of FIG. 141.
 FIG. 145 is a left side elevational view of the charm of FIG. 141.
 FIG. 146 is a top view of the charm of FIG. 141.
 FIG. 147 is a bottom view of the charm of FIG. 141.
 FIG. 148 is a perspective view of a twenty-second embodiment of the set of alphabet charms, showing the letter V charm according to the present invention.
 FIG. 149 is a front elevational view of the charm of FIG. 148.
 FIG. 150 is a back elevational view of the charm of FIG. 148.
 FIG. 151 is a right side elevational view of the charm of FIG. 148.
 FIG. 152 is a left side elevational view of the charm of FIG. 148.
 FIG. 153 is a top view of the charm of FIG. 148.
 FIG. 154 is a bottom view of the charm of FIG. 148.
 FIG. 155 is a perspective view of a twenty-third embodiment of the set of alphabet charms, showing the letter W charm according to the present invention.
 FIG. 156 is a front elevational view of the charm of FIG. 155.
 FIG. 157 is a back elevational view of the charm of FIG. 155.
 FIG. 158 is a right side elevational view of the charm of FIG. 155.
 FIG. 159 is a left side elevational view of the charm of FIG. 155.
 FIG. 160 is a top view of the charm of FIG. 155.
 FIG. 161 is a bottom view of the charm of FIG. 155.
 FIG. 162 is a perspective view of a twenty-fourth embodiment of the set of alphabet charms, showing the letter X charm according to the present invention.
 FIG. 163 is a front elevational view of the charm of FIG. 162.
 FIG. 164 is a back elevational view of the charm of FIG. 162.
 FIG. 165 is a right side elevational view of the charm of FIG. 162.
 FIG. 166 is a left side elevational view of the charm of FIG. 162.
 FIG. 167 is a top view of the charm of FIG. 162.
 FIG. 168 is a bottom view of the charm of FIG. 162.
 FIG. 169 is a perspective view of a twenty-fifth embodiment of the set of alphabet charms, showing the letter Y charm according to the present invention.
 FIG. 170 is a front elevational view of the charm of FIG. 169.
 FIG. 171 is a back elevational view of the charm of FIG. 169.
 FIG. 172 is a right side elevational view of the charm of FIG. 169.
 FIG. 173 is a left side elevational view of the charm of FIG. 169.
 FIG. 174 is a top view of the charm of FIG. 169.
 FIG. 175 is a bottom view of the charm of FIG. 169.

FIG. 176 is a perspective view of a twenty-sixth embodiment of the set of alphabet charms, showing the letter Z charm according to the present invention.

FIG. 177 is a front elevational view of the charm of FIG. 176.

FIG. 178 is a back elevational view of the charm of FIG. 176.

FIG. 179 is a right side elevational view of the charm of FIG. 176.

FIG. 180 is a left side elevational view of the charm of FIG. 176.

FIG. 181 is a top view of the charm of FIG. 176; and,

FIG. 182 is a bottom view of the charm of FIG. 176.

1 Claim, 78 Drawing Sheets

(58) **Field of Classification Search**

CPC A44C 25/00; A44C 25/001; A44C 25/005;

A44C 25/007; A44C 15/00; A44C 15/004; A44C 23/00

See application file for complete search history.

(56)

References Cited

U.S. PATENT DOCUMENTS

D242,818	S	*	12/1976	Wood	D11/96
D264,570	S	*	5/1982	Vandoni	D11/61
4,455,113	A	*	6/1984	Liebman	A44C 15/004
					63/20
D522,403	S	*	6/2006	McIver	D11/96
D641,652	S	*	7/2011	Baxa	D11/96
D685,288	S	*	7/2013	Clark	D11/96
D694,666	S	*	12/2013	Lawson, III	D11/96
D719,051	S	*	12/2014	Macri	D11/61
D757,600	S	*	5/2016	Wright	D11/96
2015/0308489	A1	*	10/2015	Yakubovich	A44C 15/0025
					63/10
2016/0143404	A1	*	5/2016	Wright	A44C 25/001
					63/23

* cited by examiner

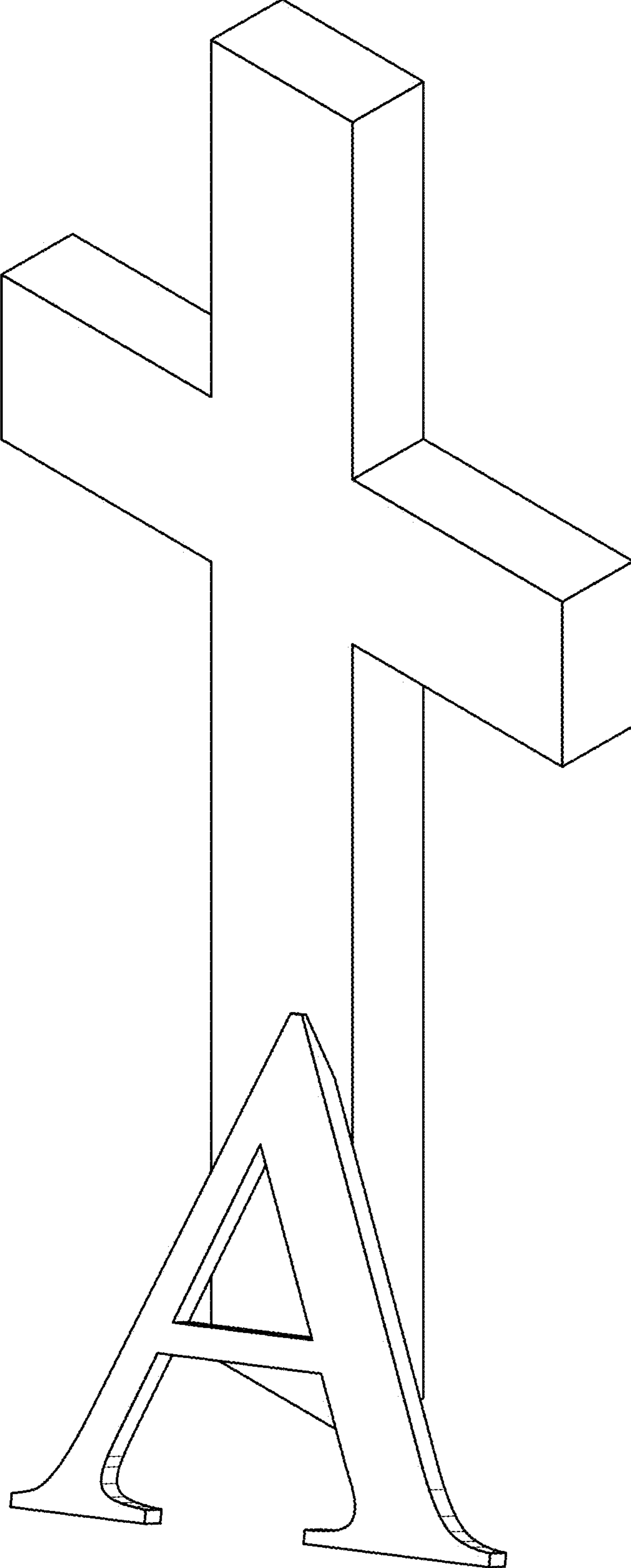


FIG. 1

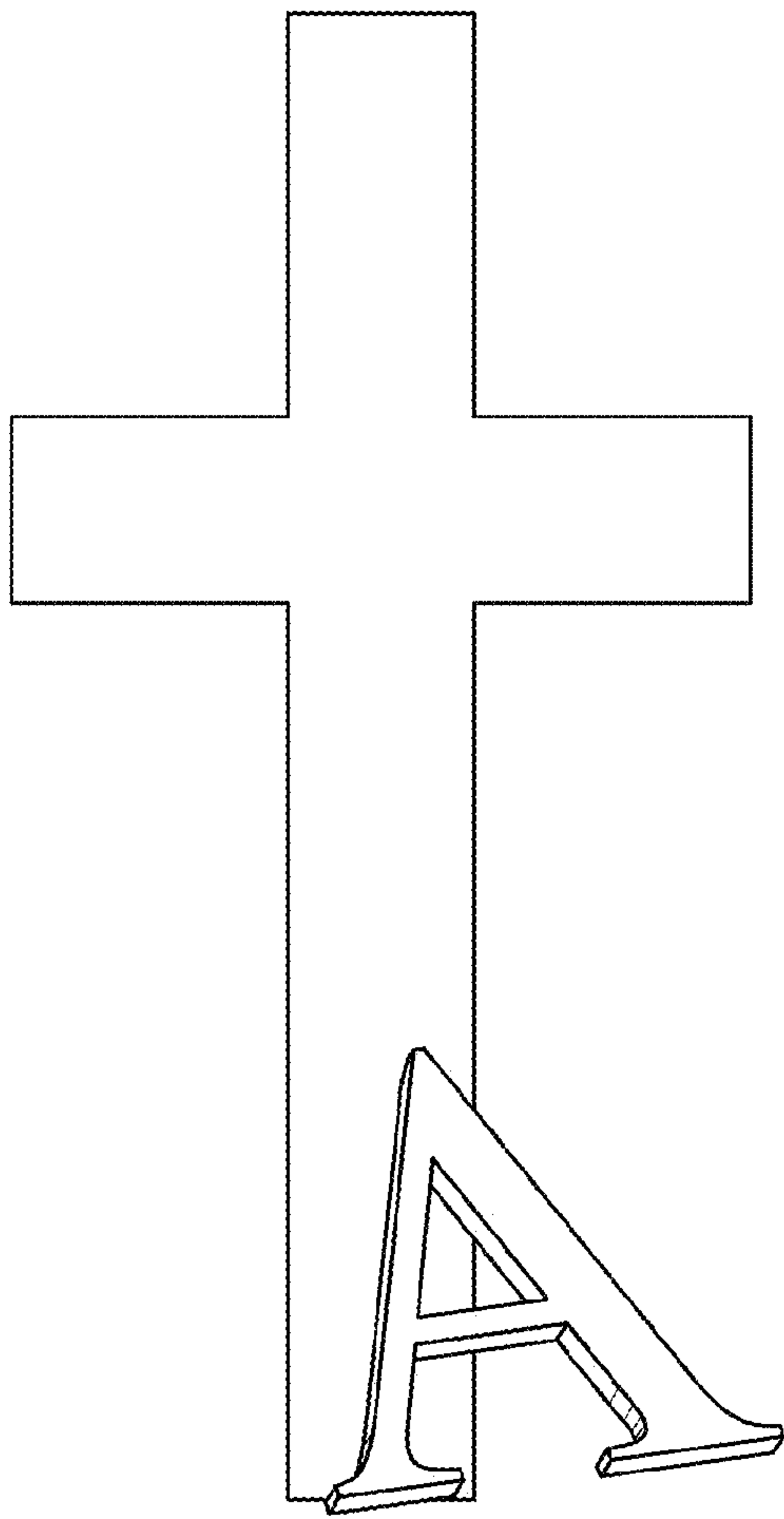


FIG. 2

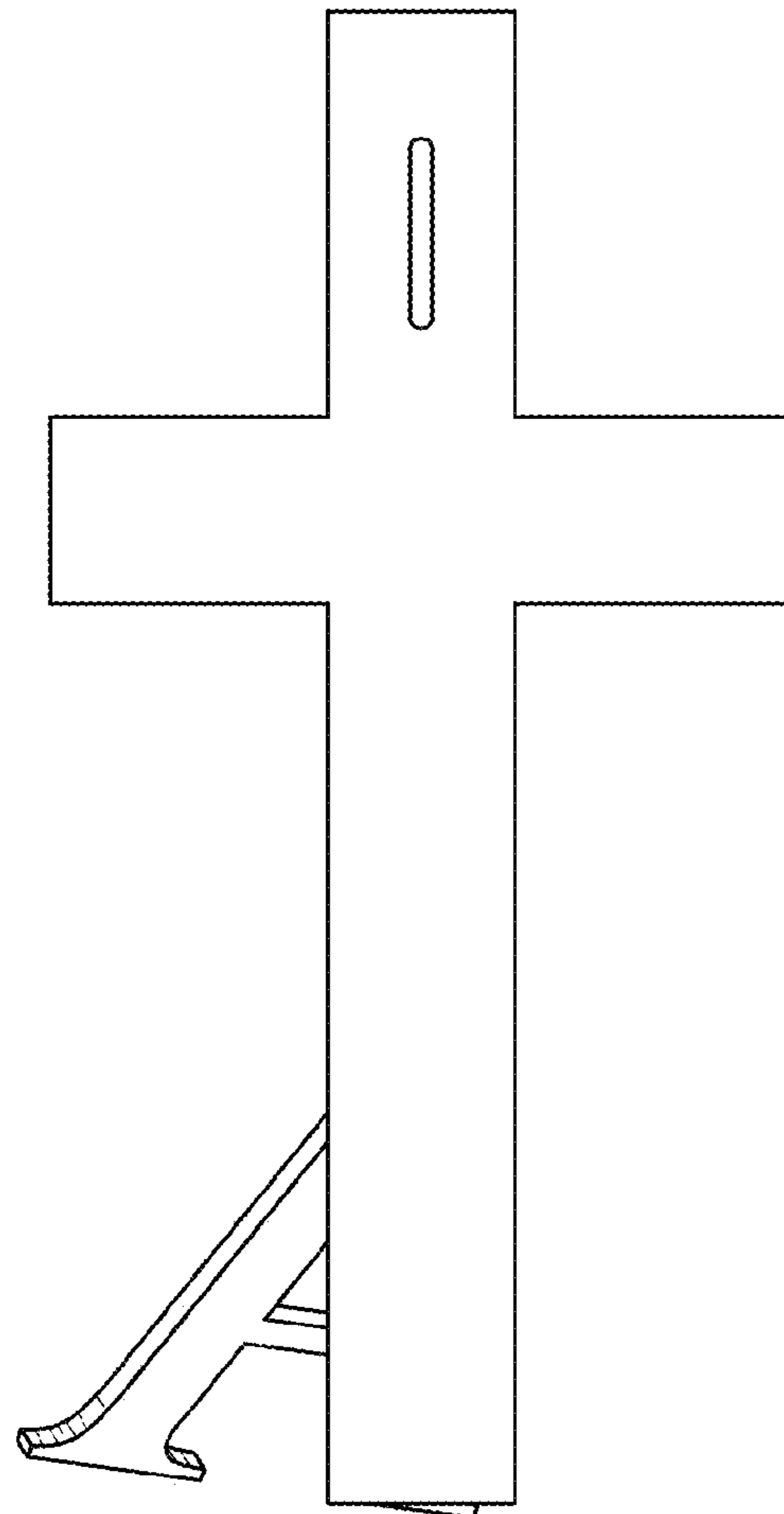


FIG. 3

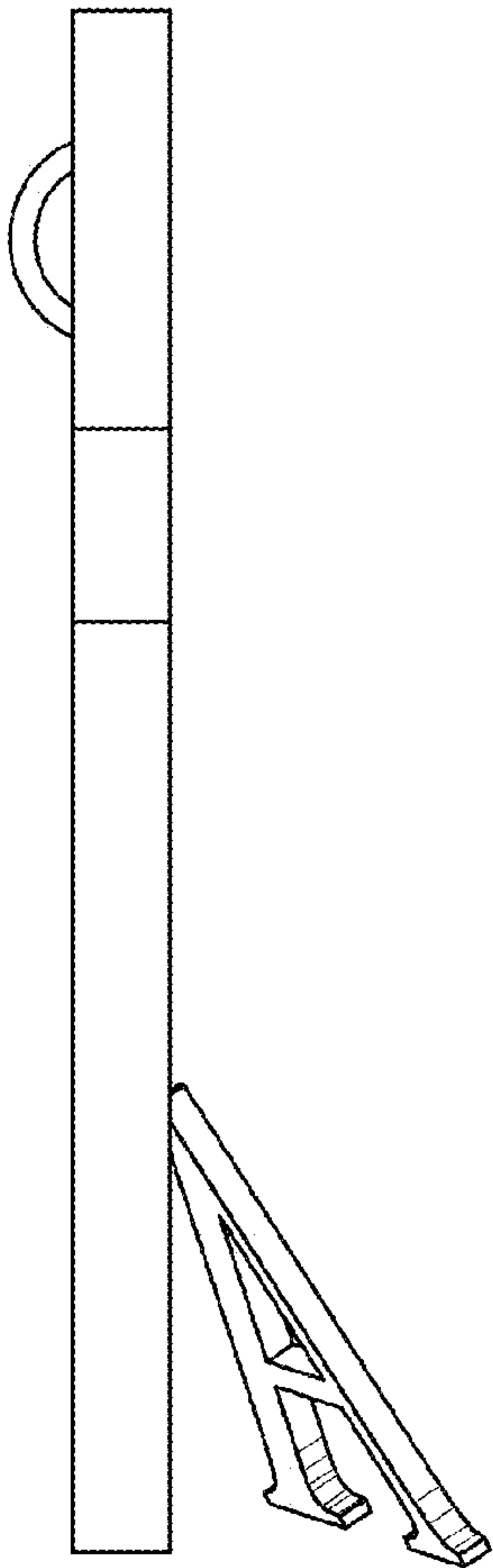


FIG. 4

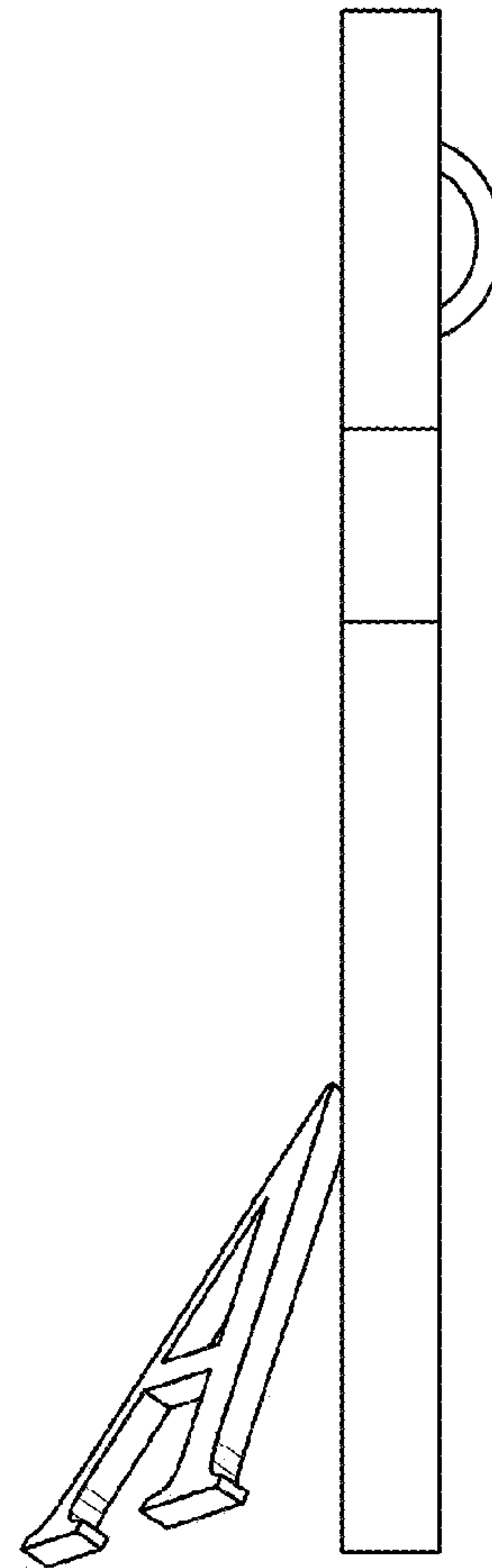


FIG. 5

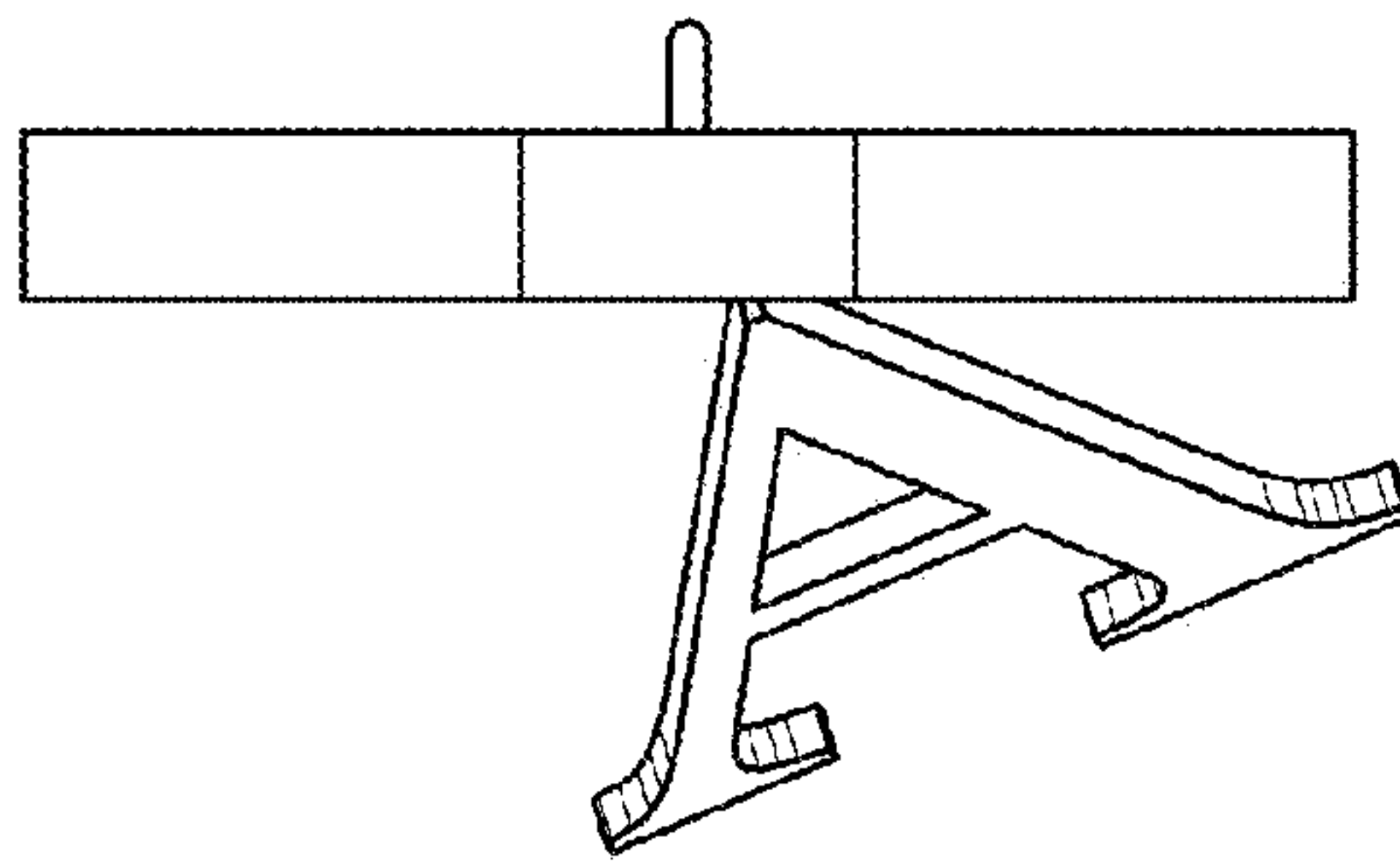


FIG. 6

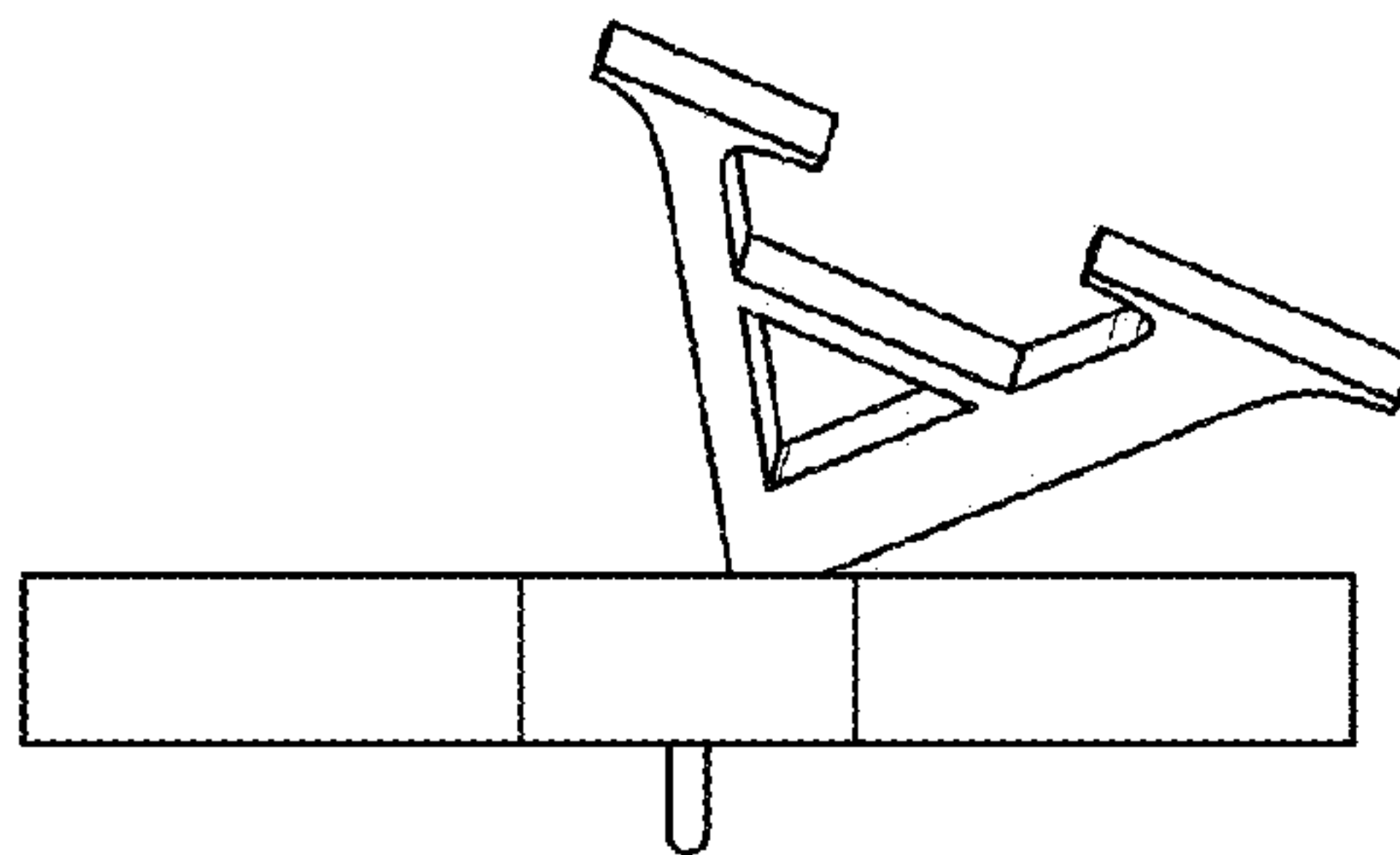


FIG. 7

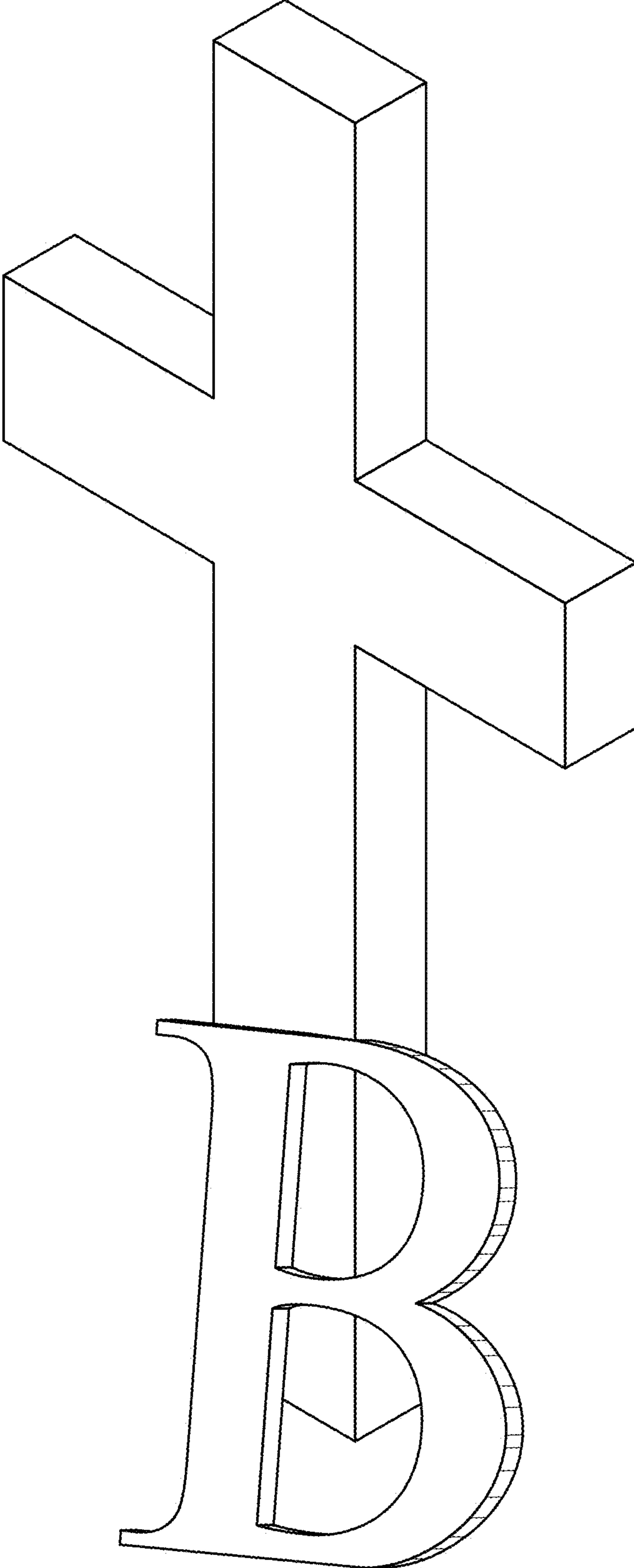


FIG. 8

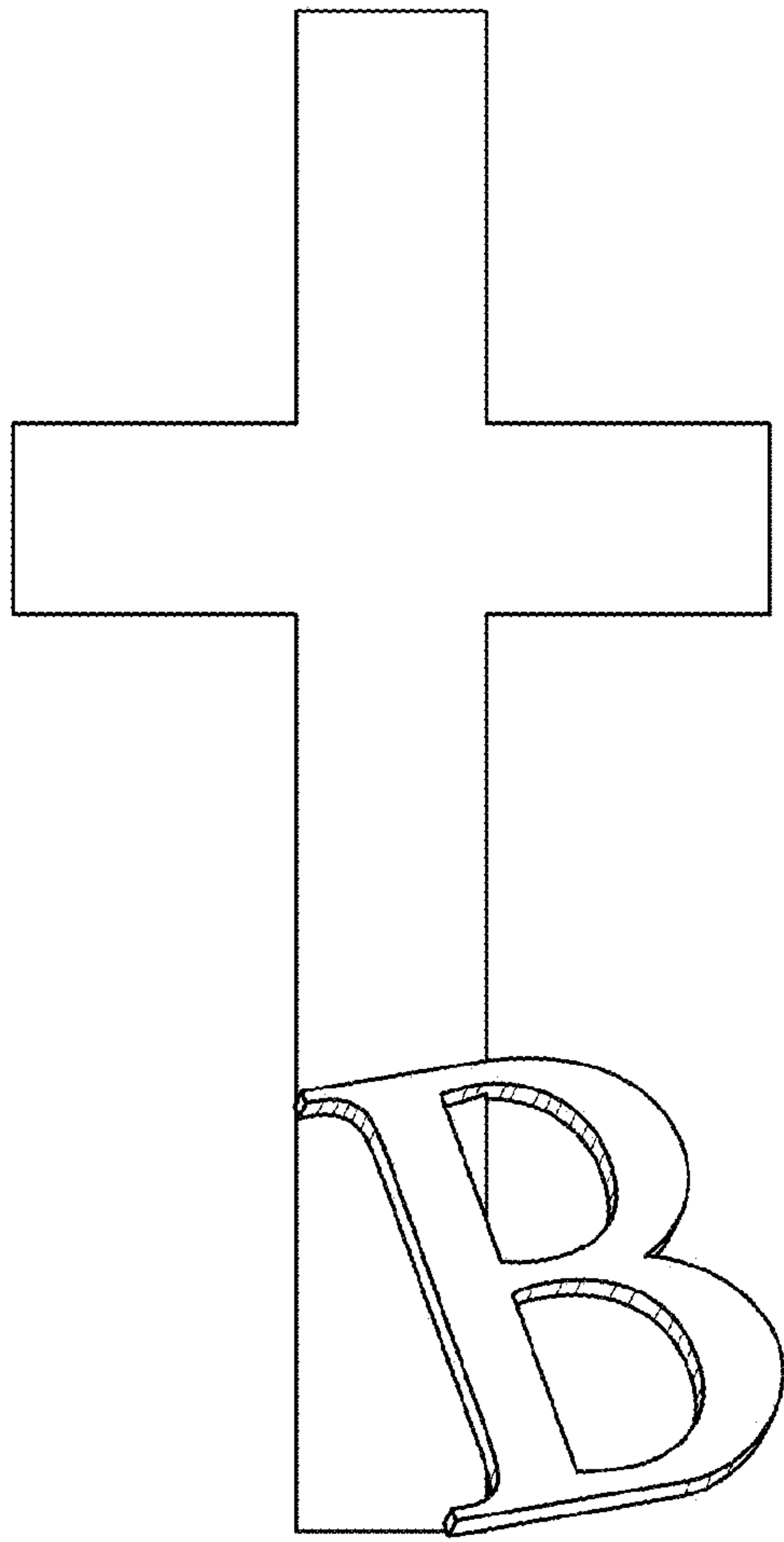


FIG. 9

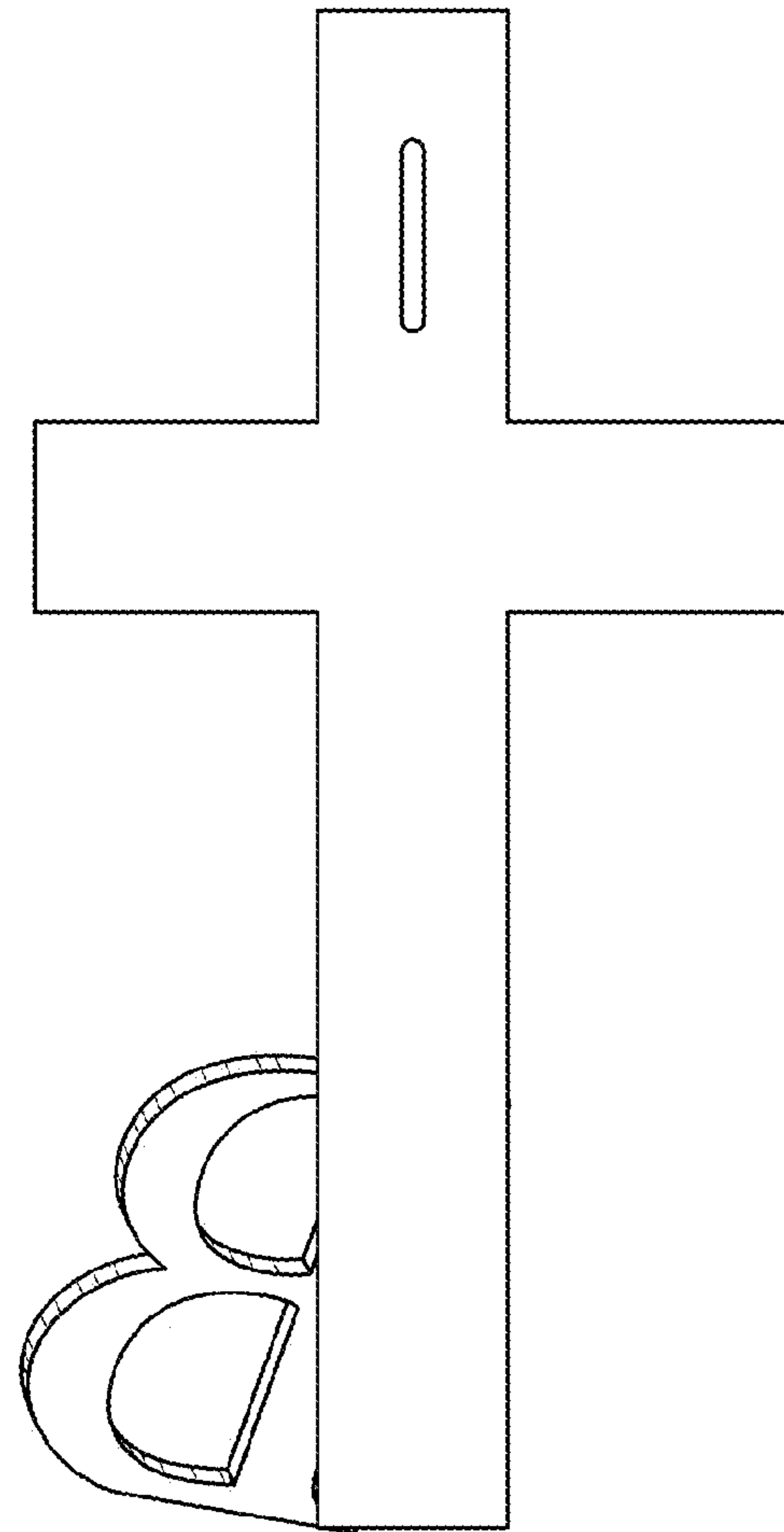


FIG. 10

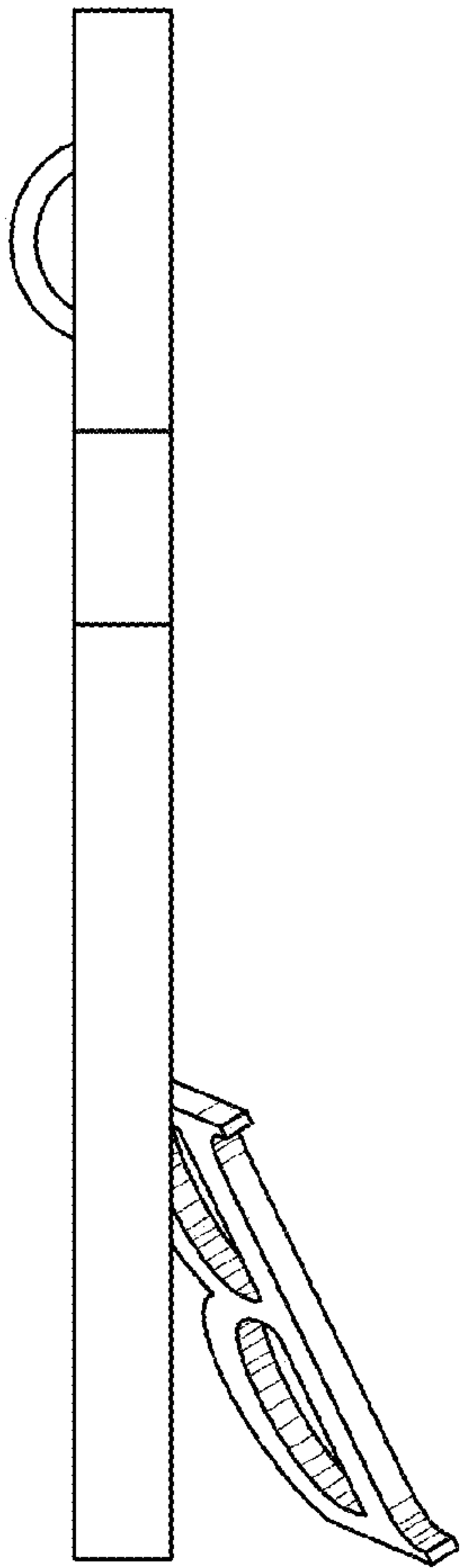


FIG. 11

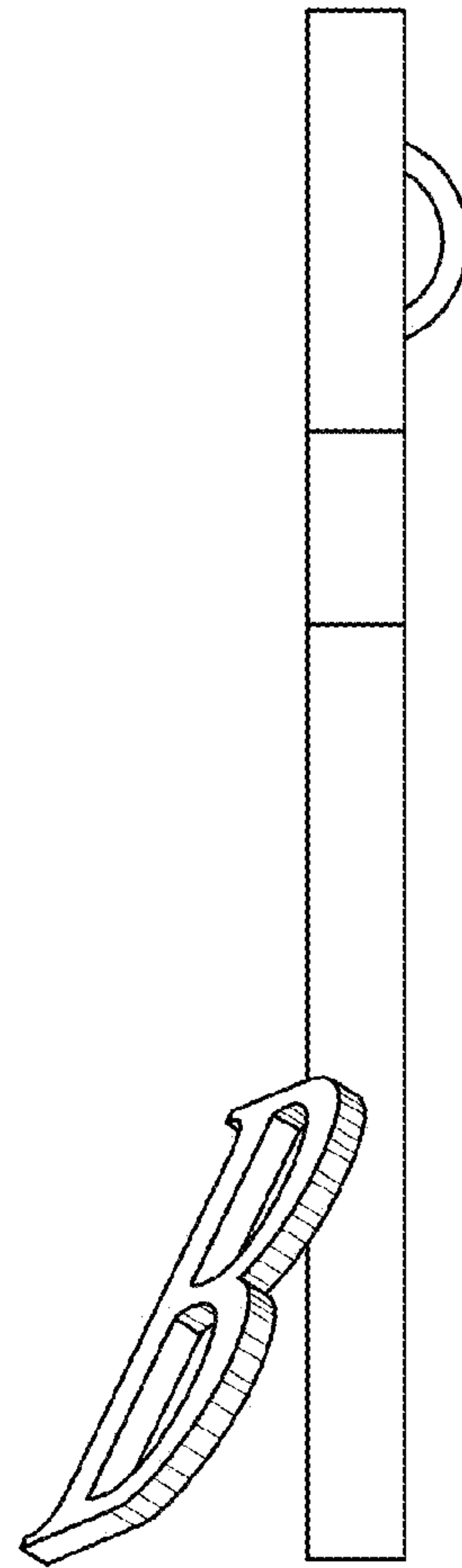


FIG. 12

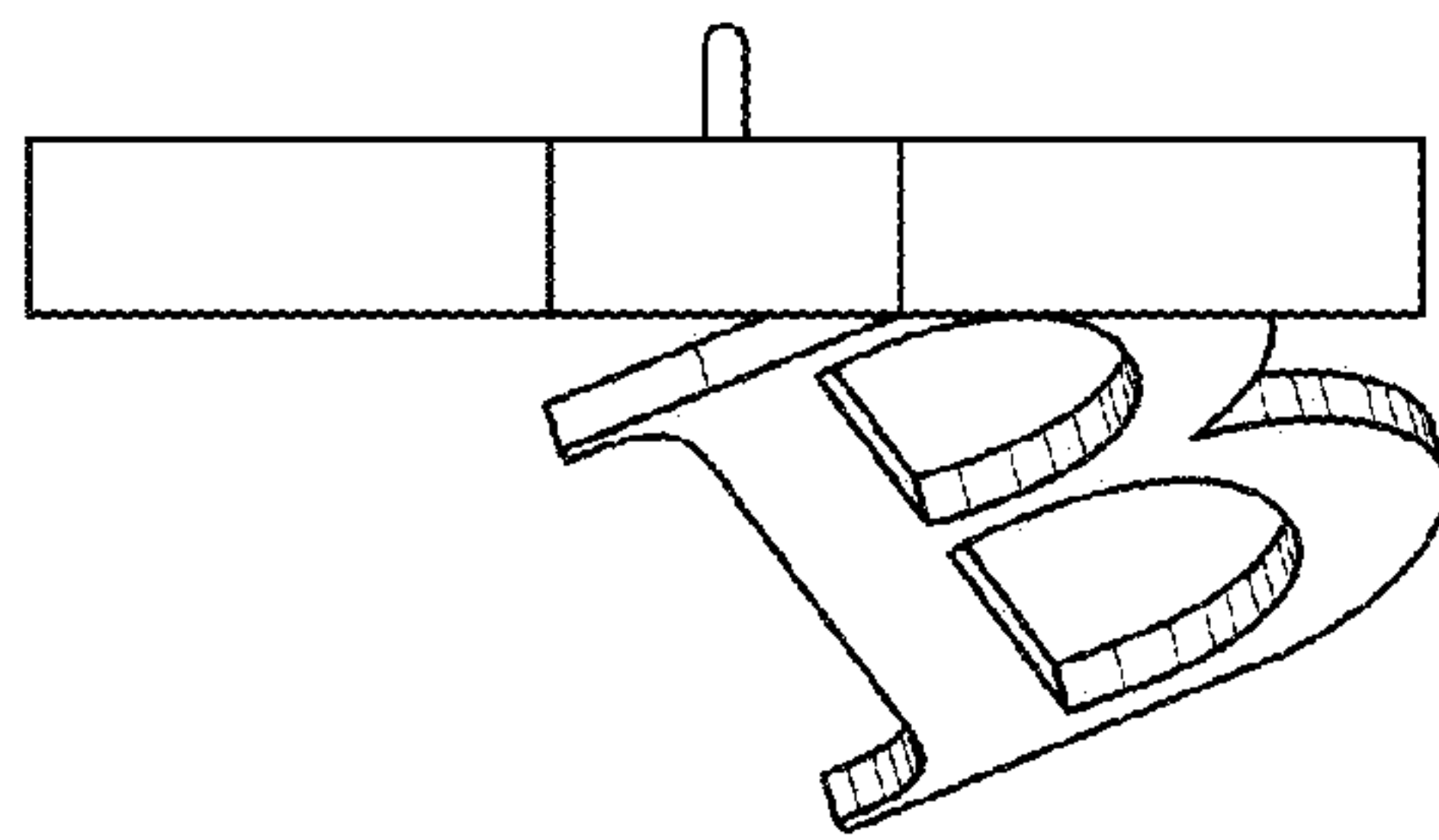


FIG. 13

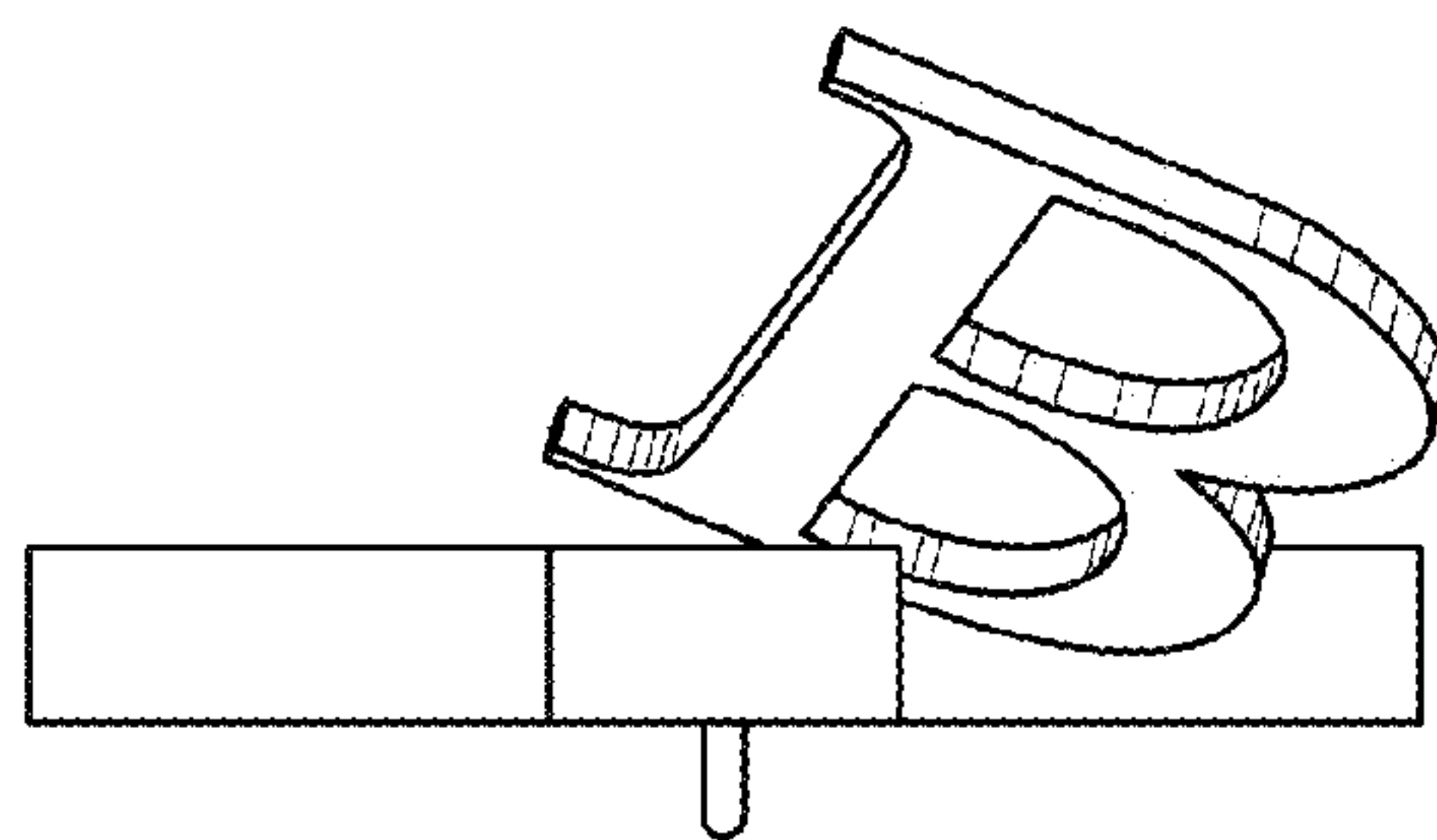


FIG. 14

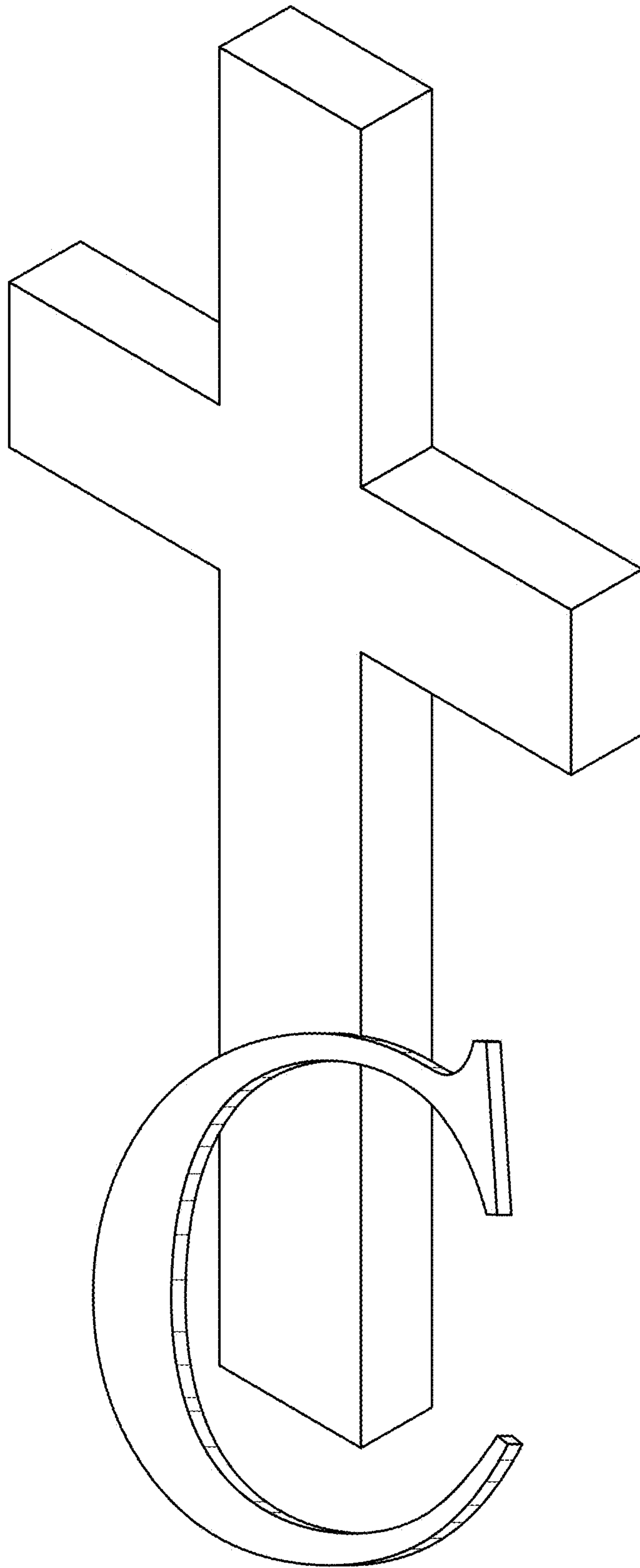


FIG. 15

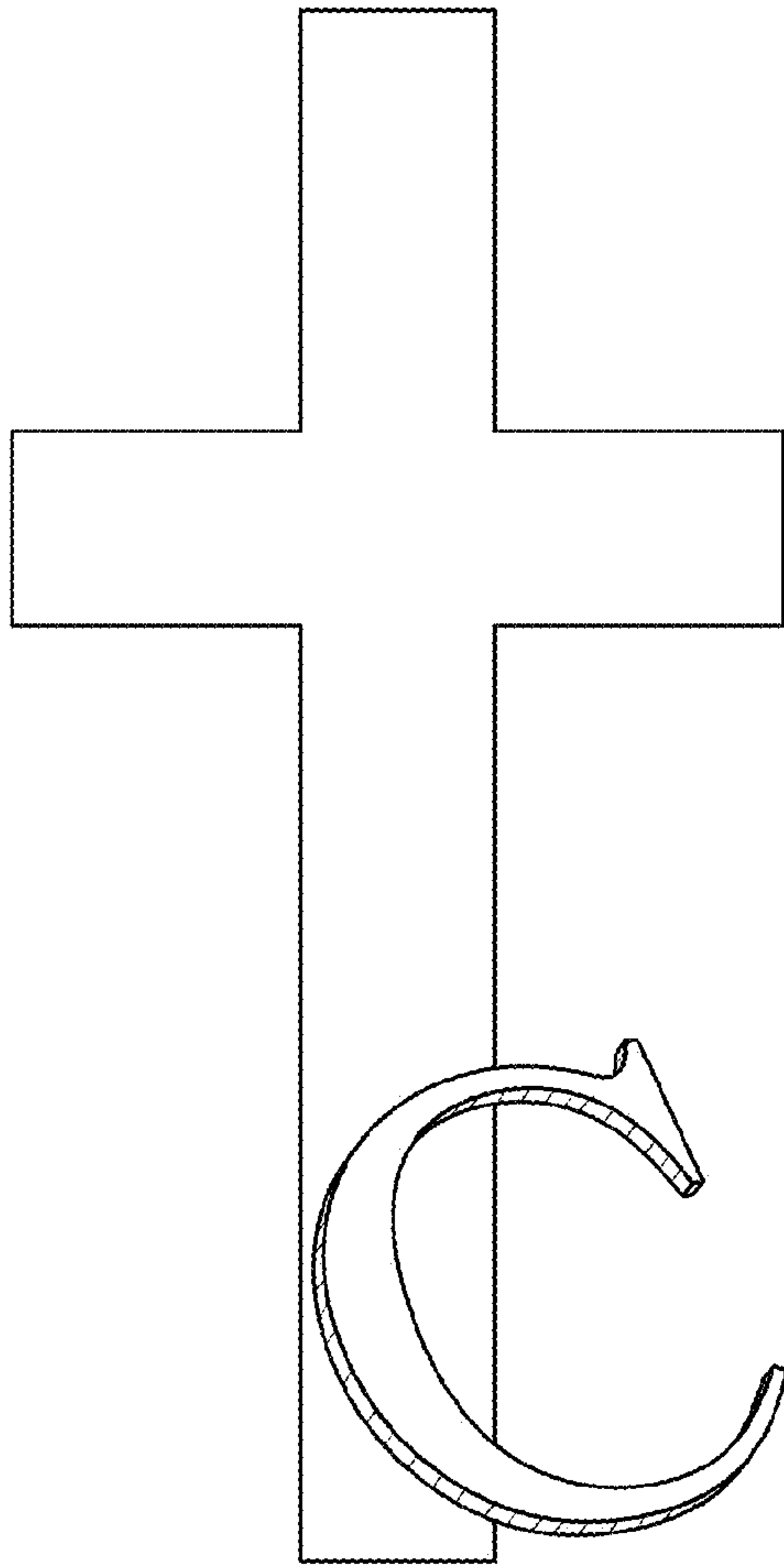


FIG. 16

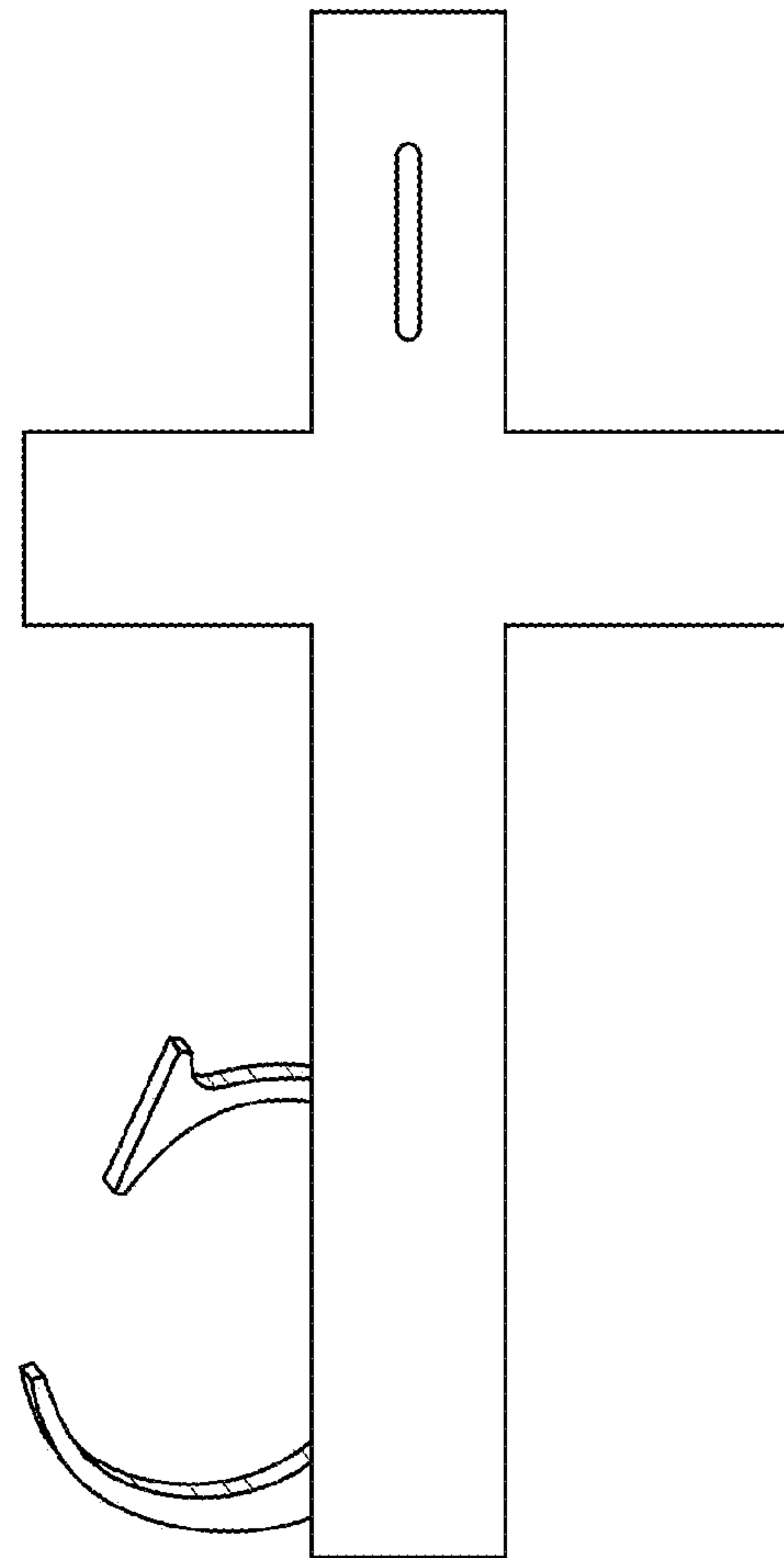


FIG. 17

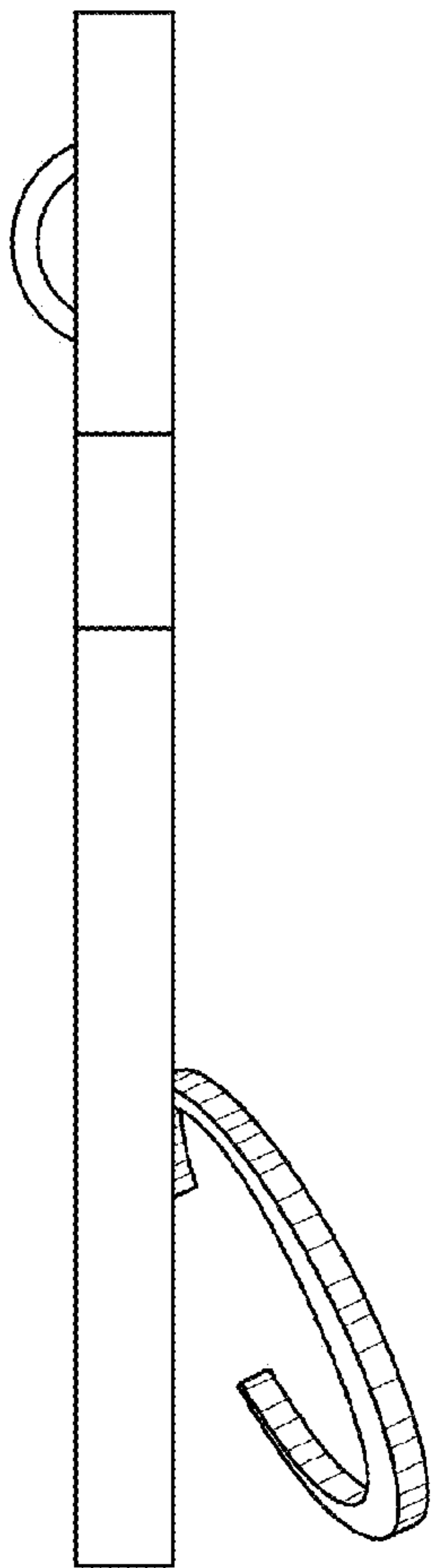


FIG. 18

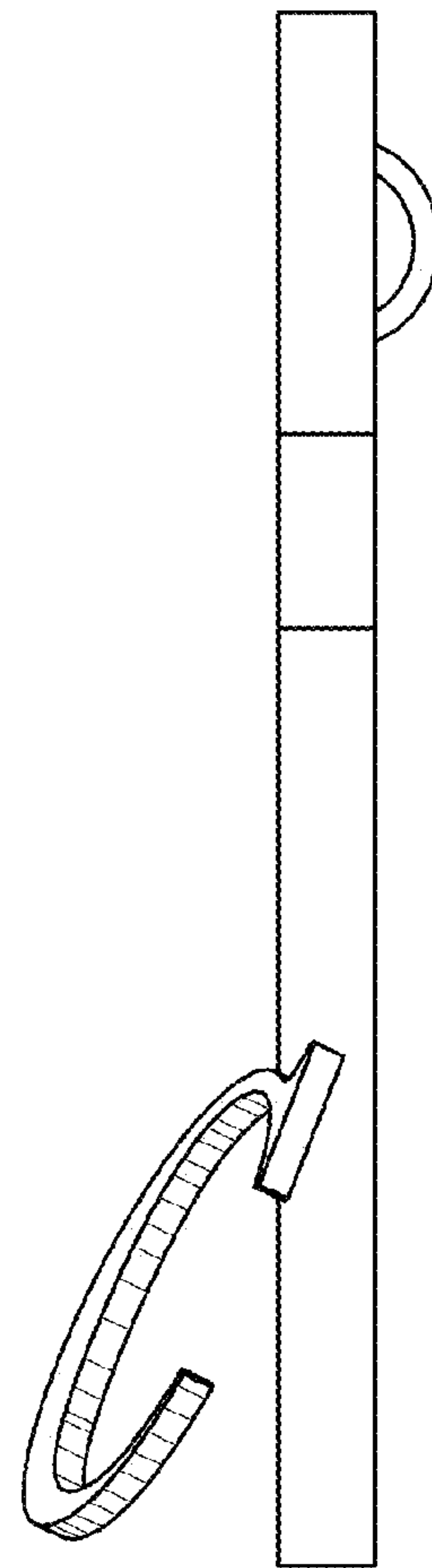


FIG. 19

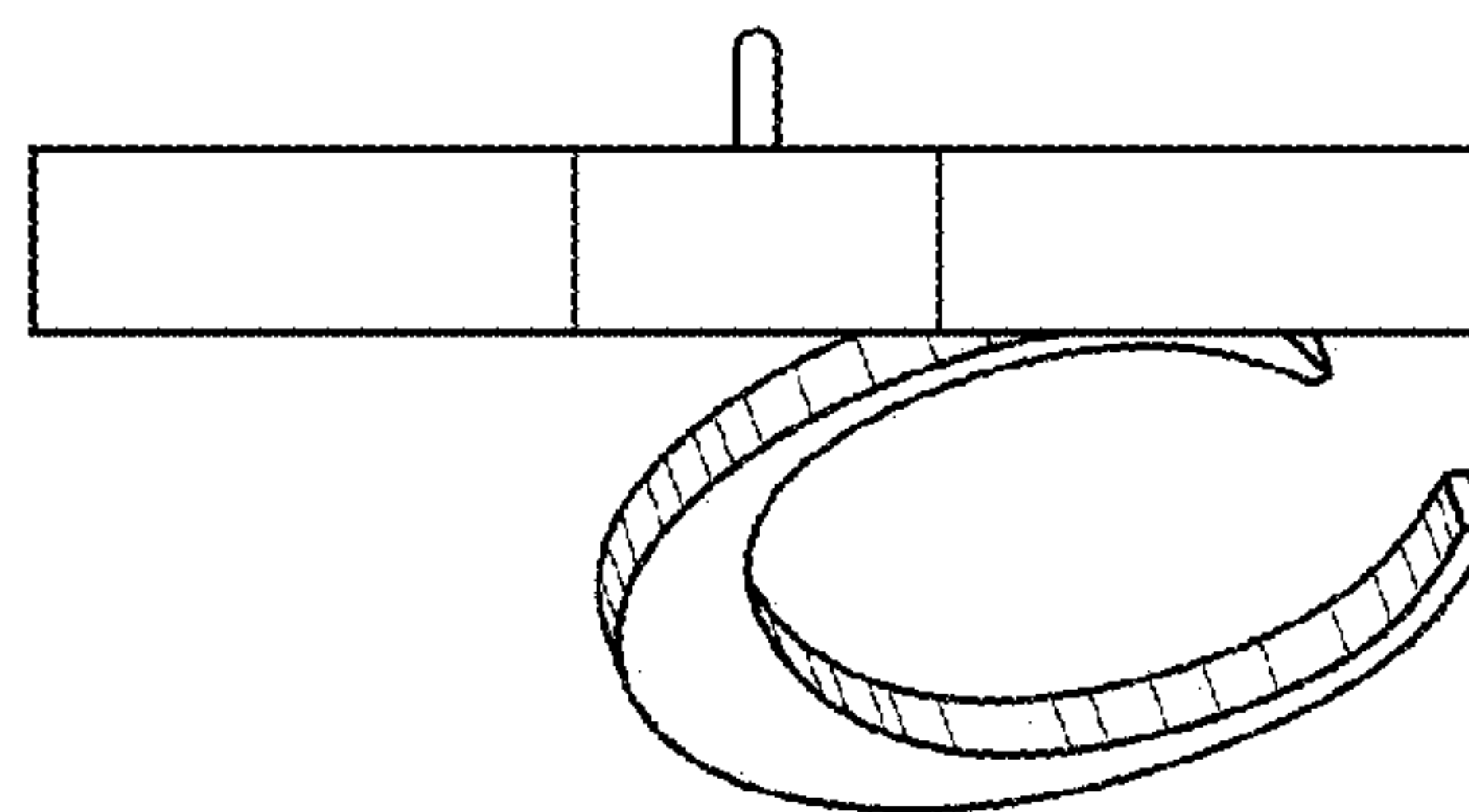


FIG. 20

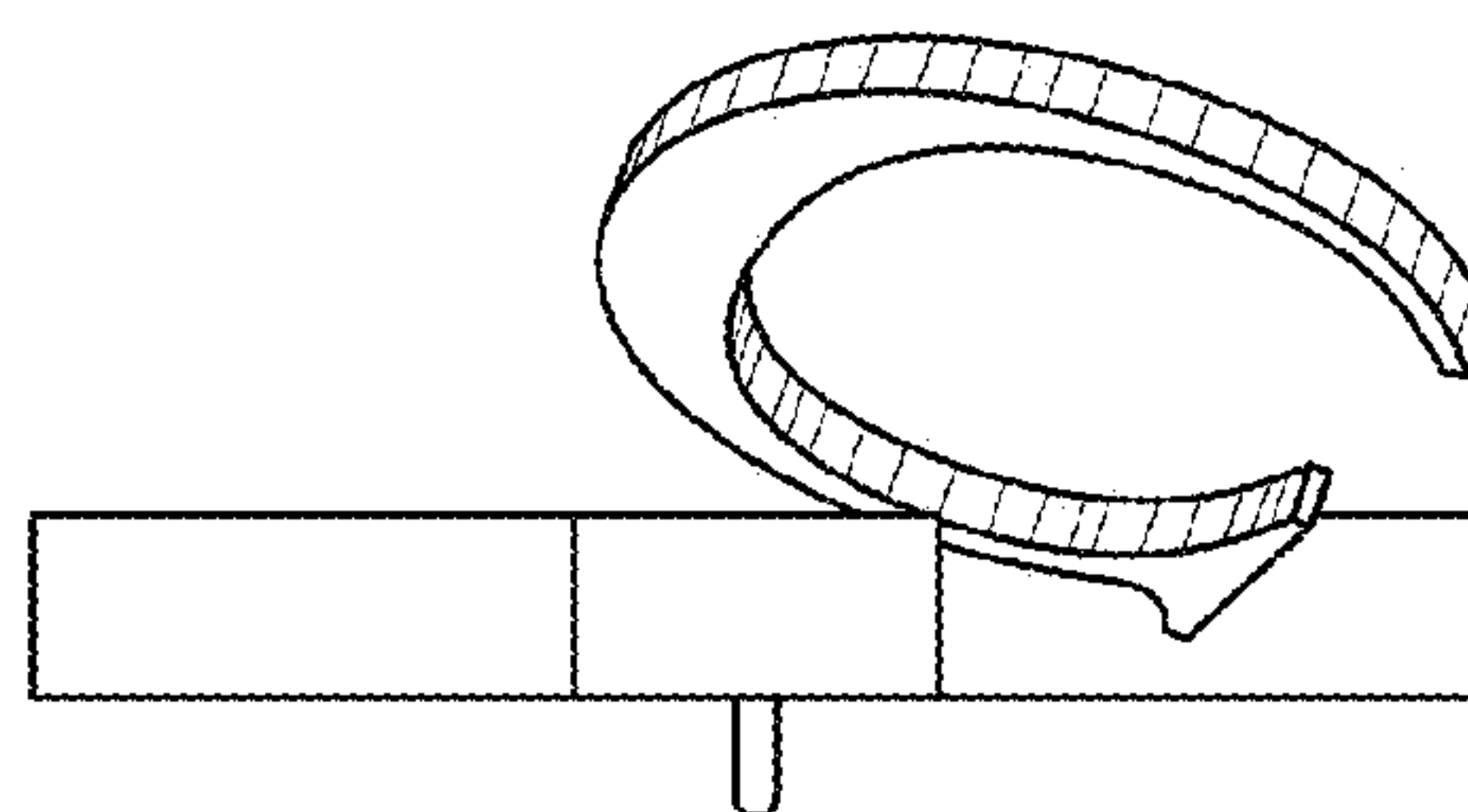


FIG. 21

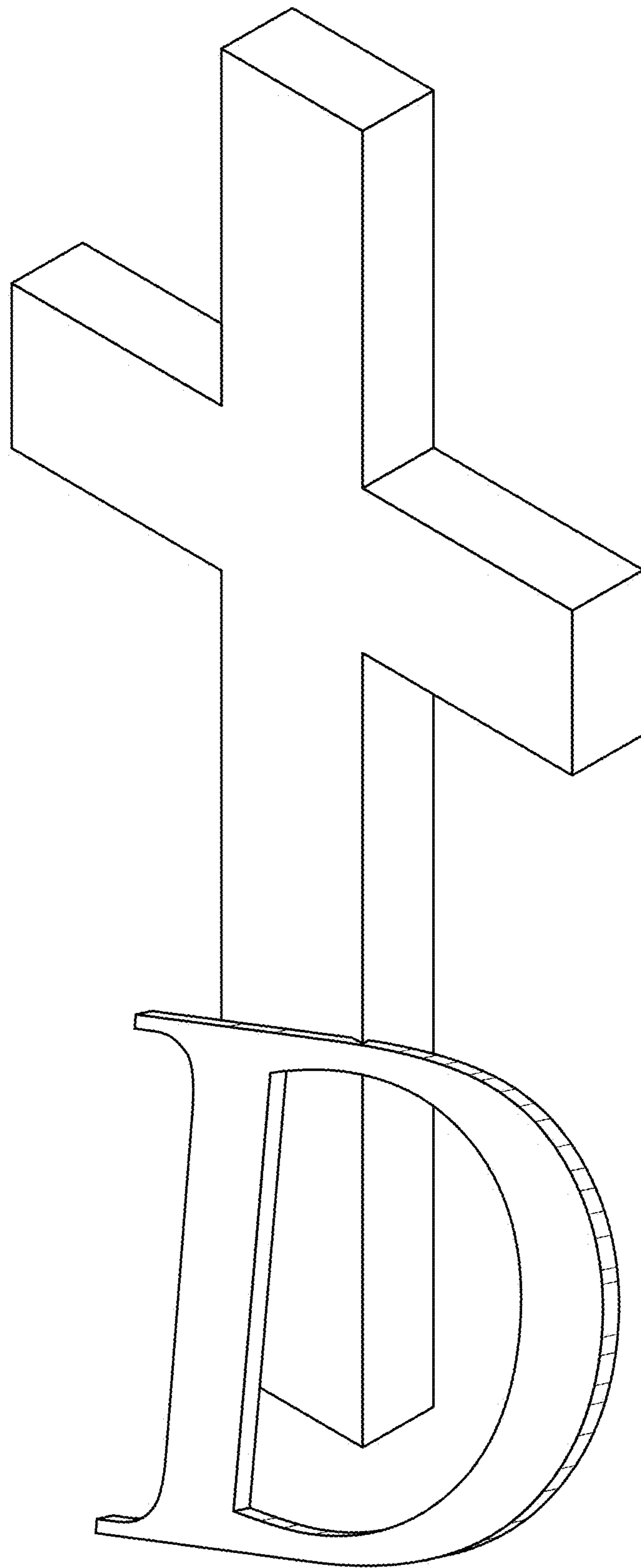


FIG. 22

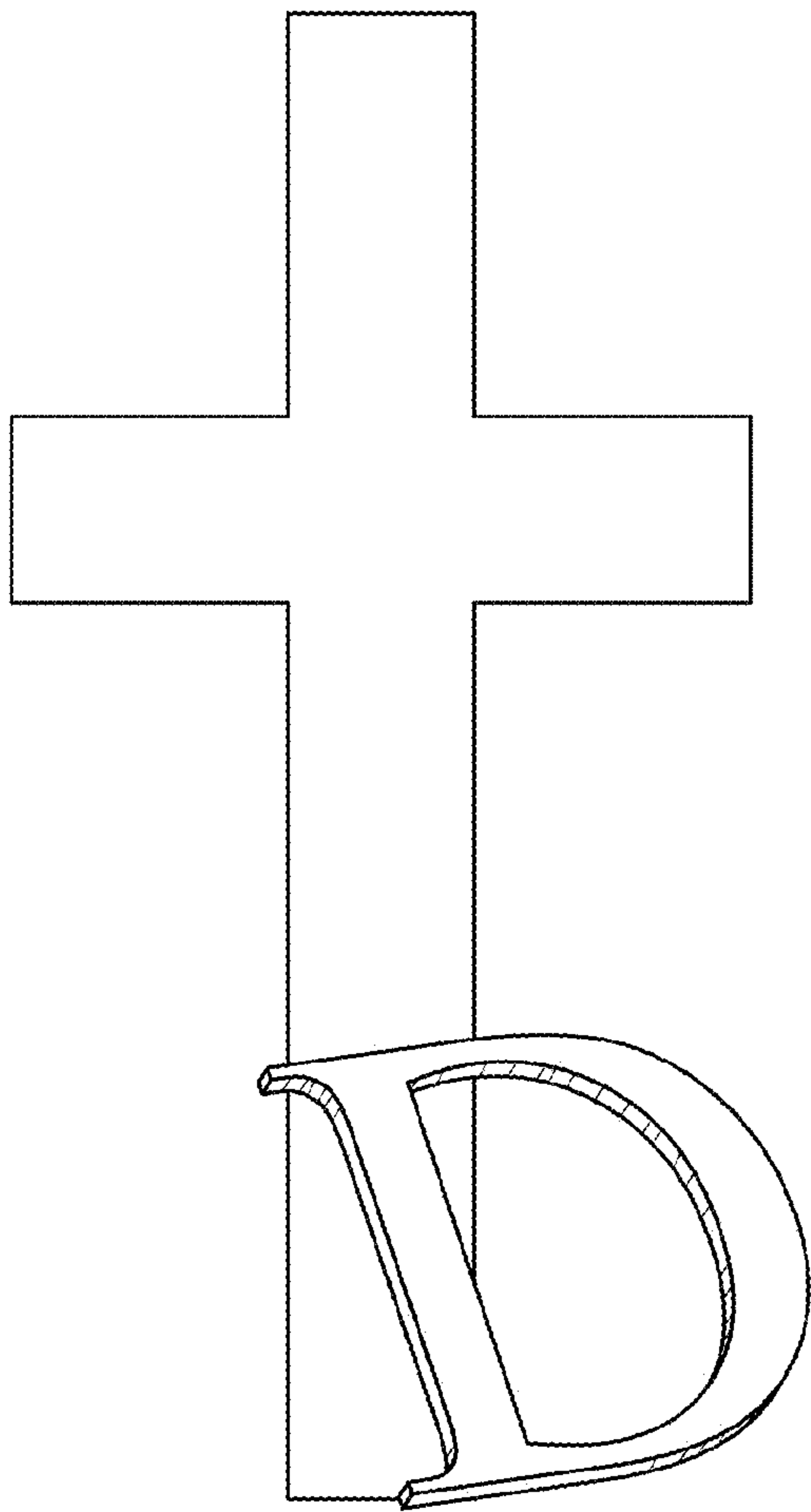


FIG. 23

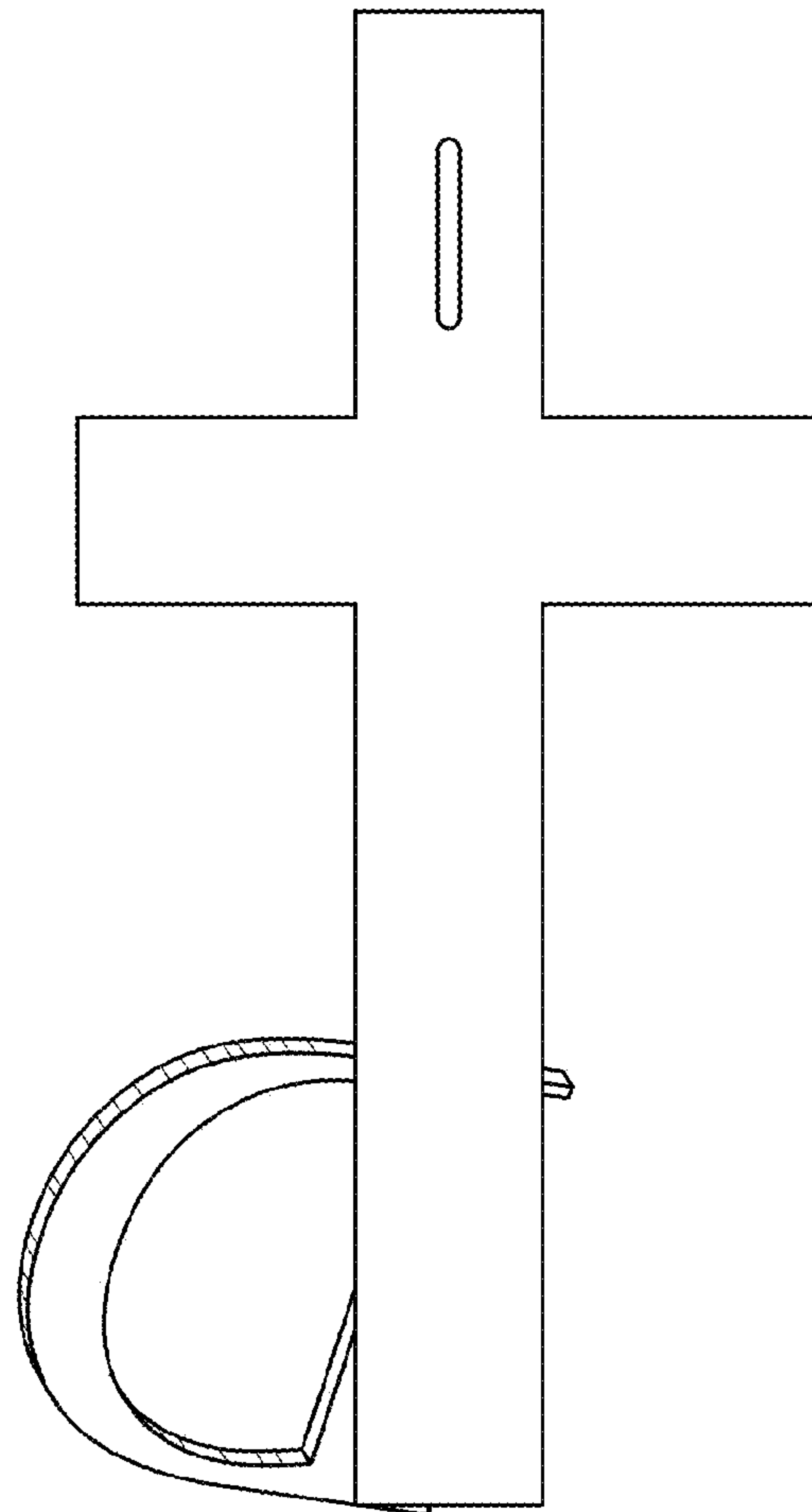


FIG. 24

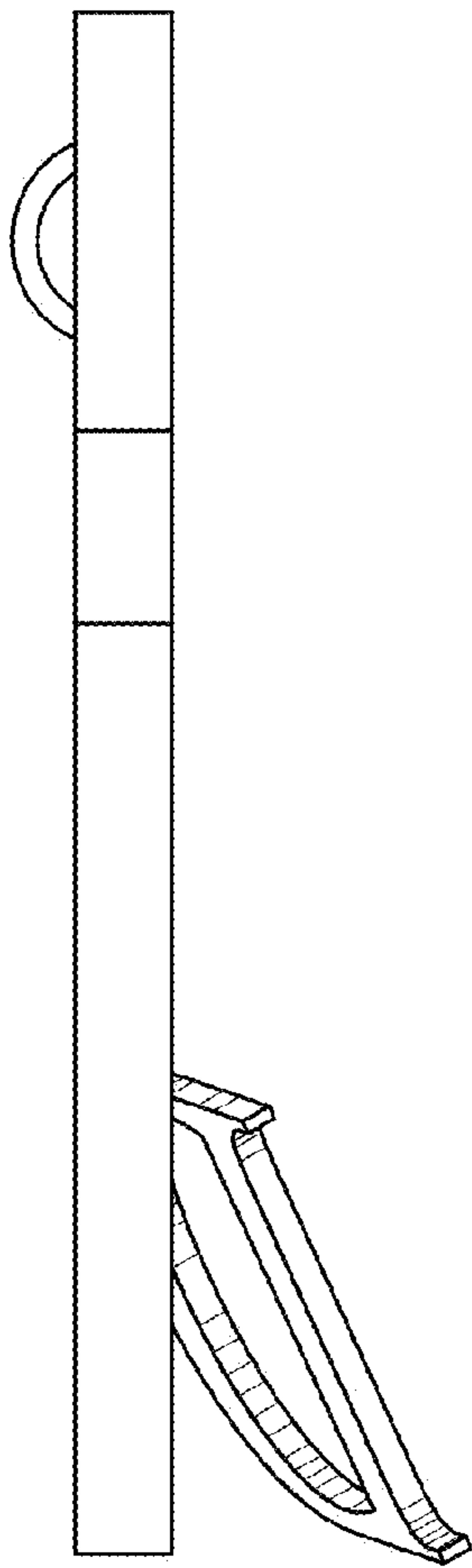


FIG. 25

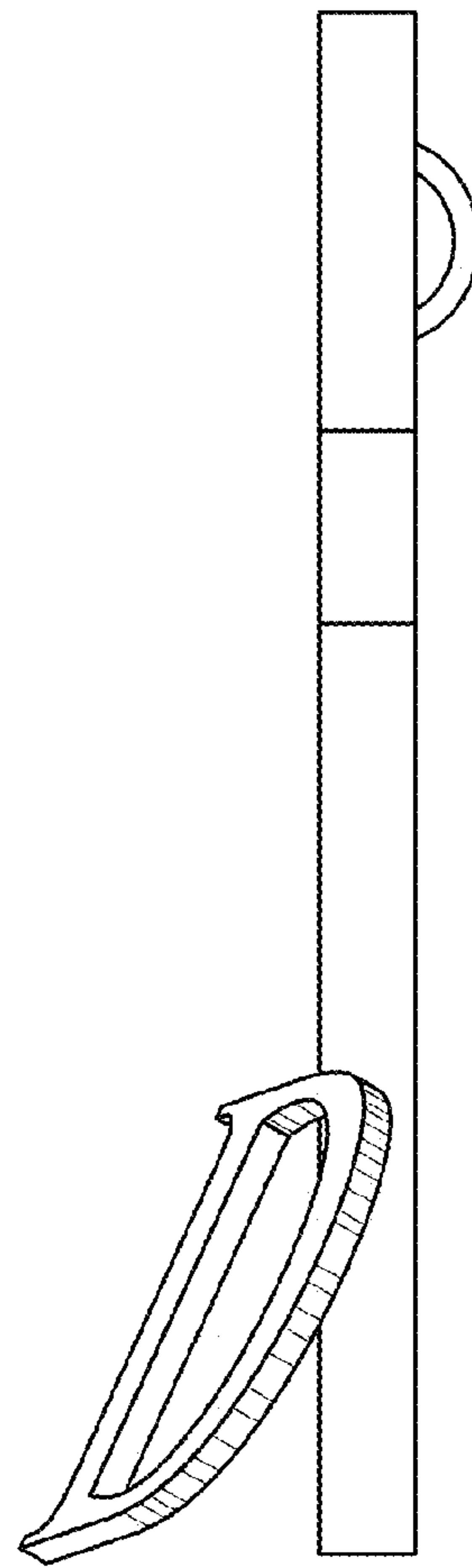


FIG. 26

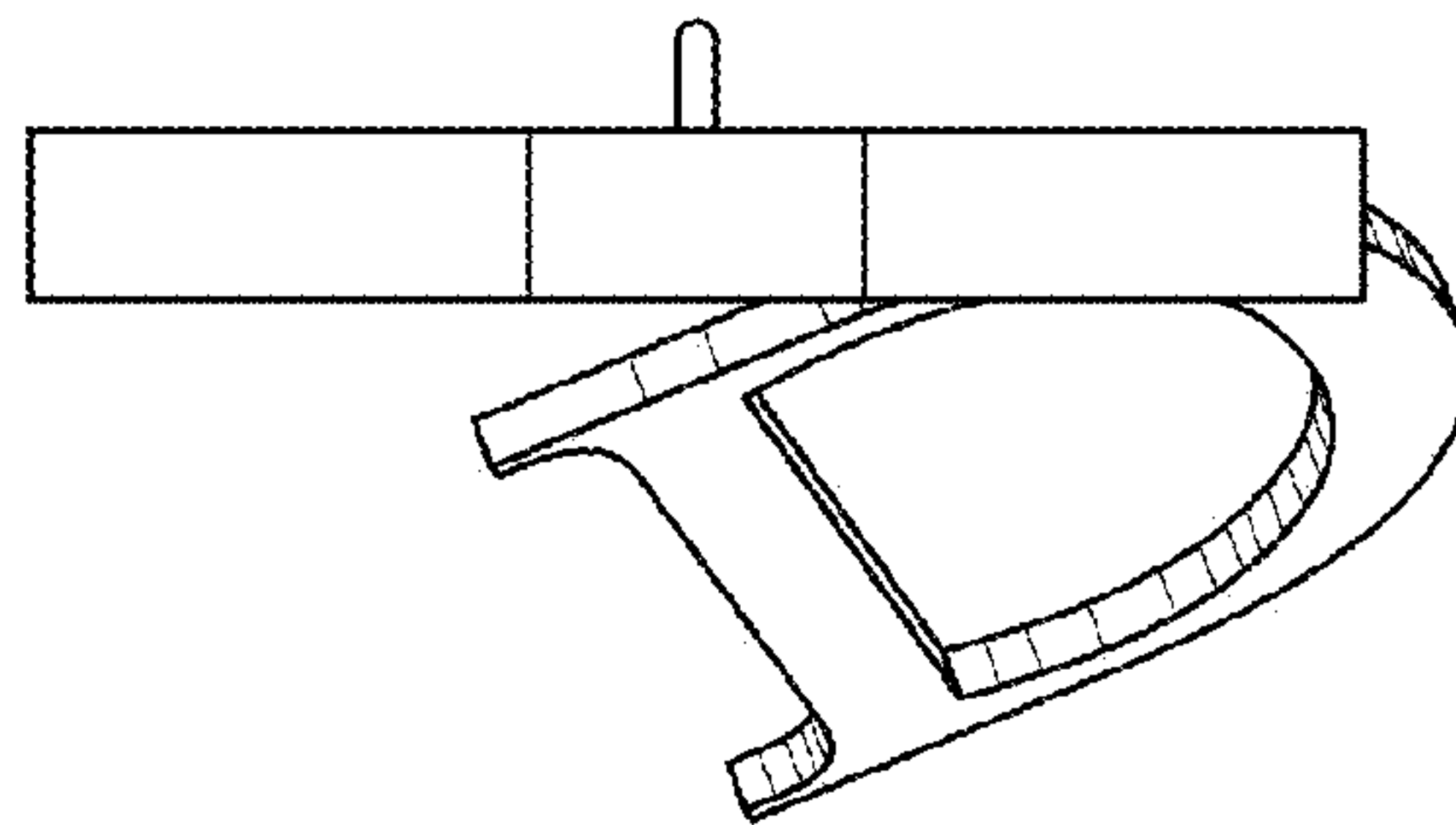


FIG. 27

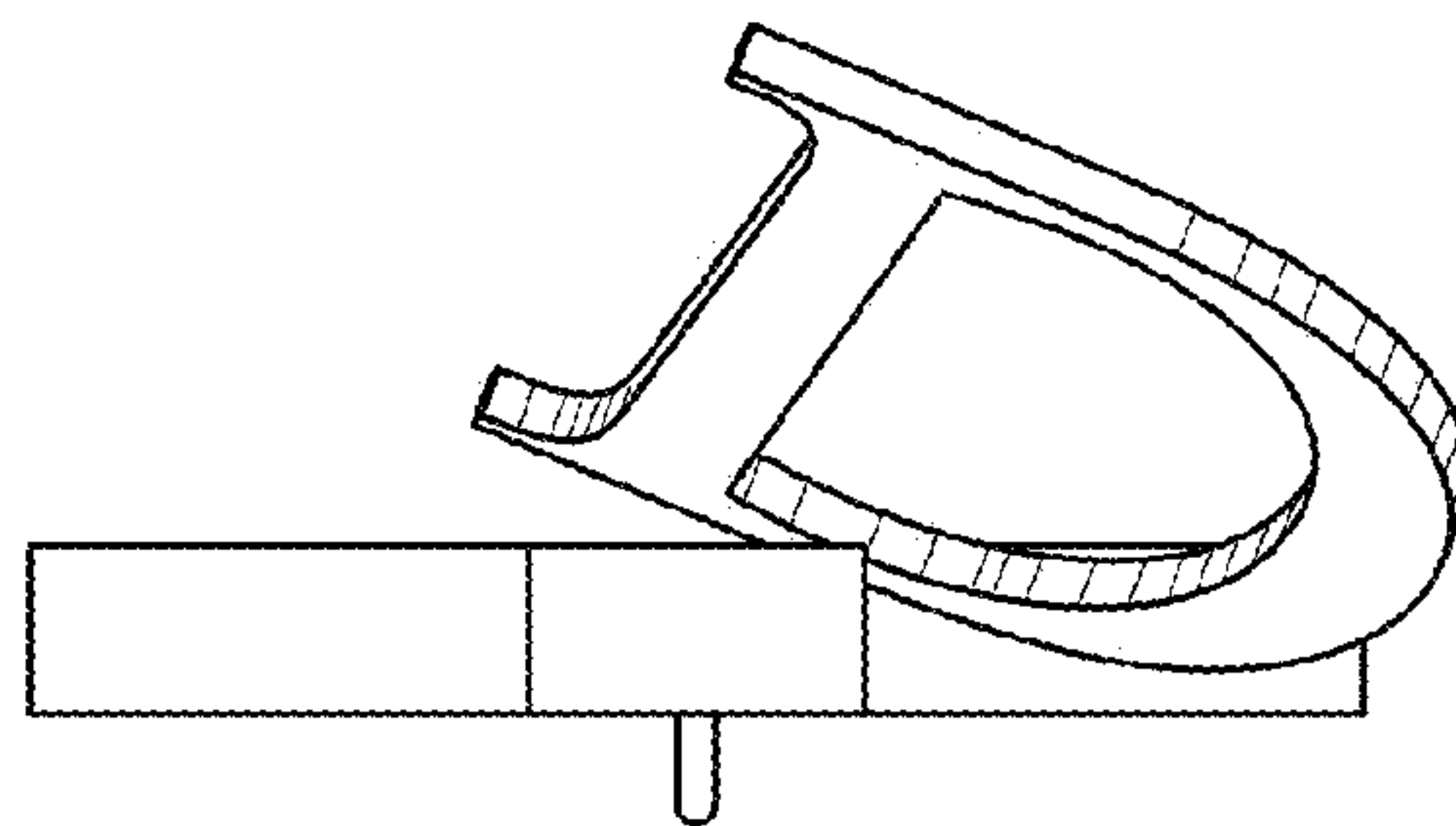


FIG. 28

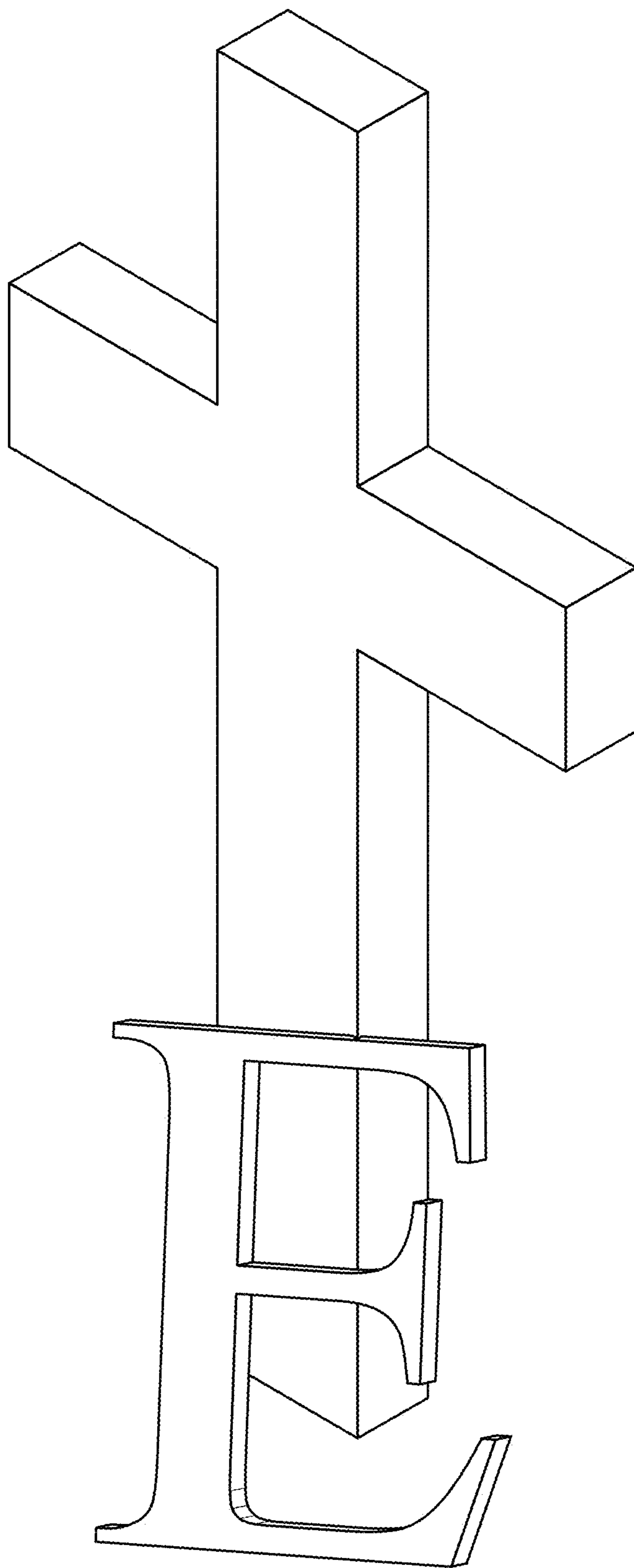


FIG. 29

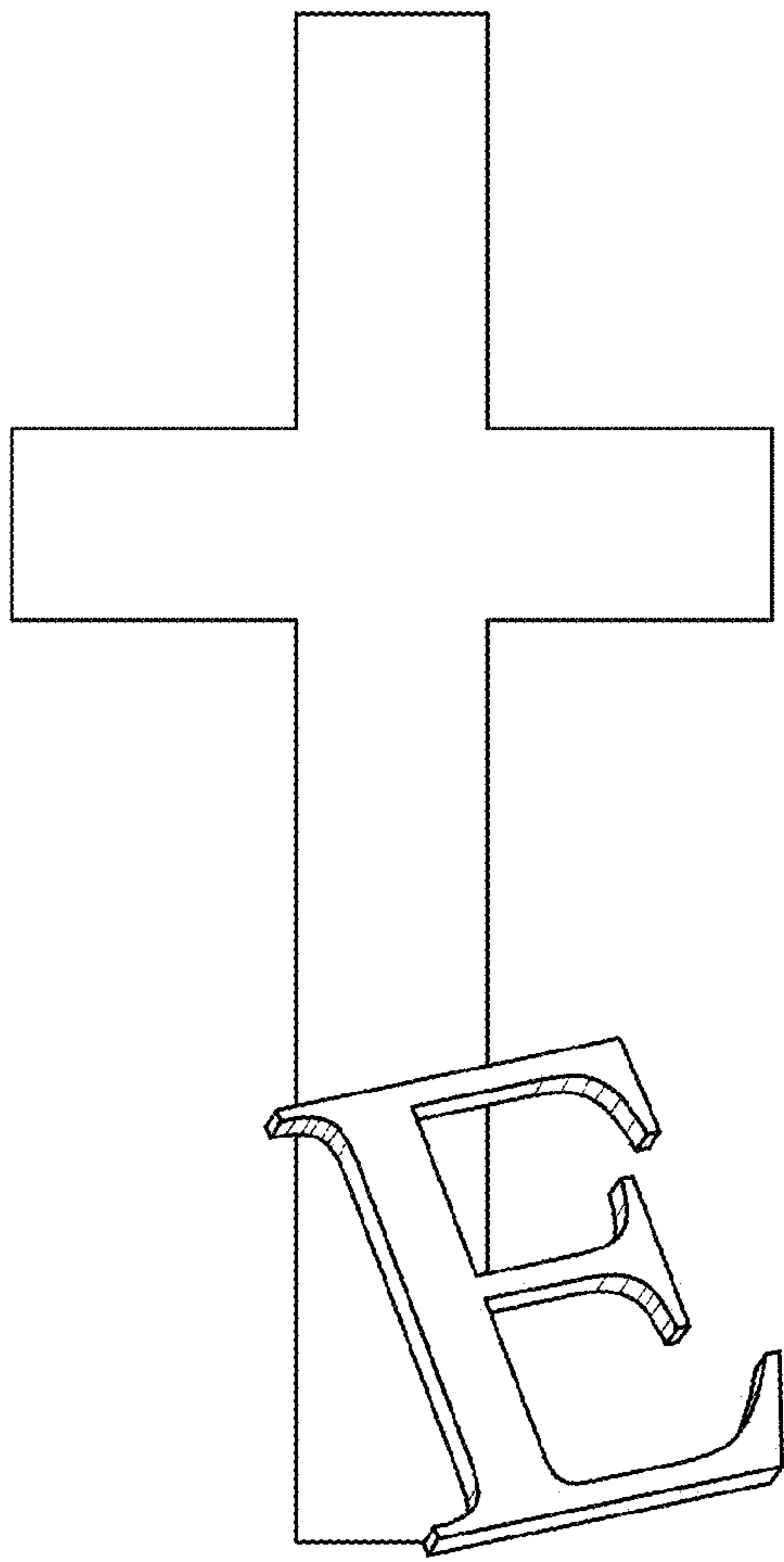


FIG. 30

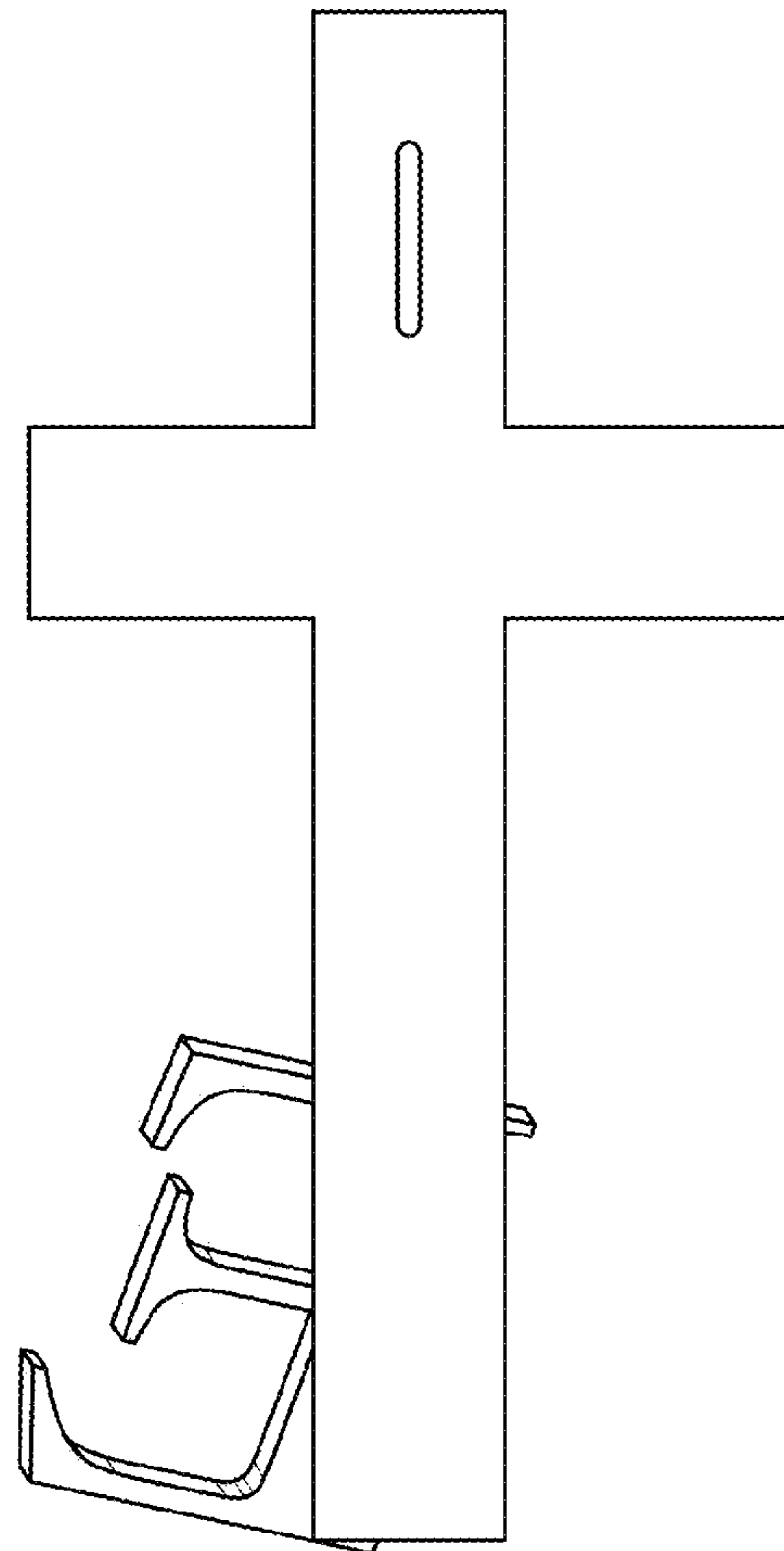


FIG. 31

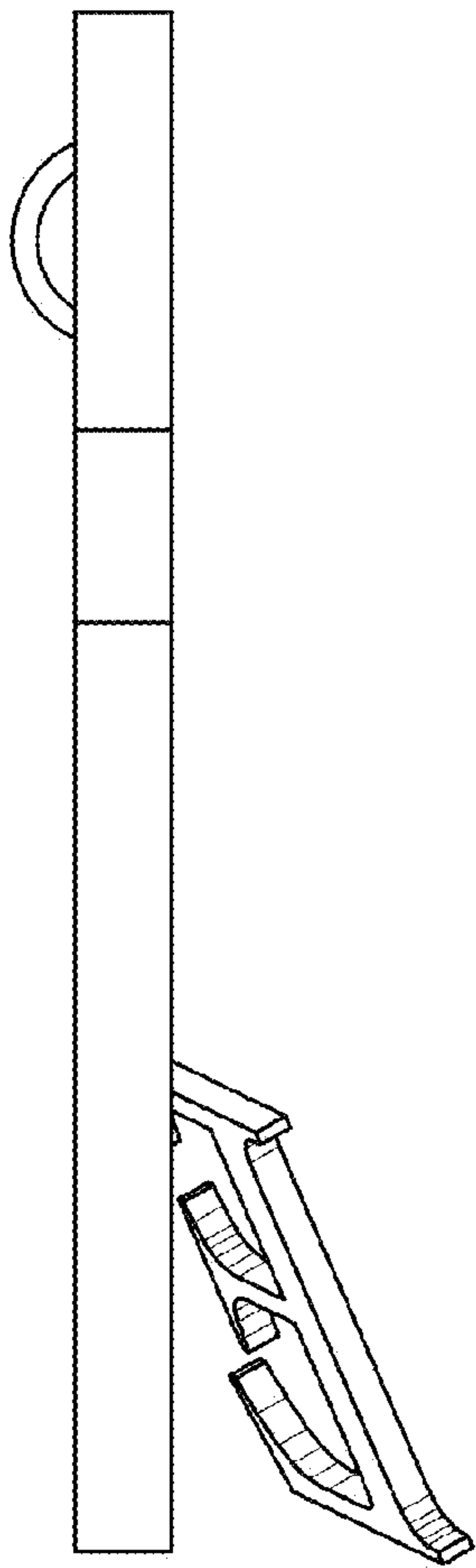


FIG. 32

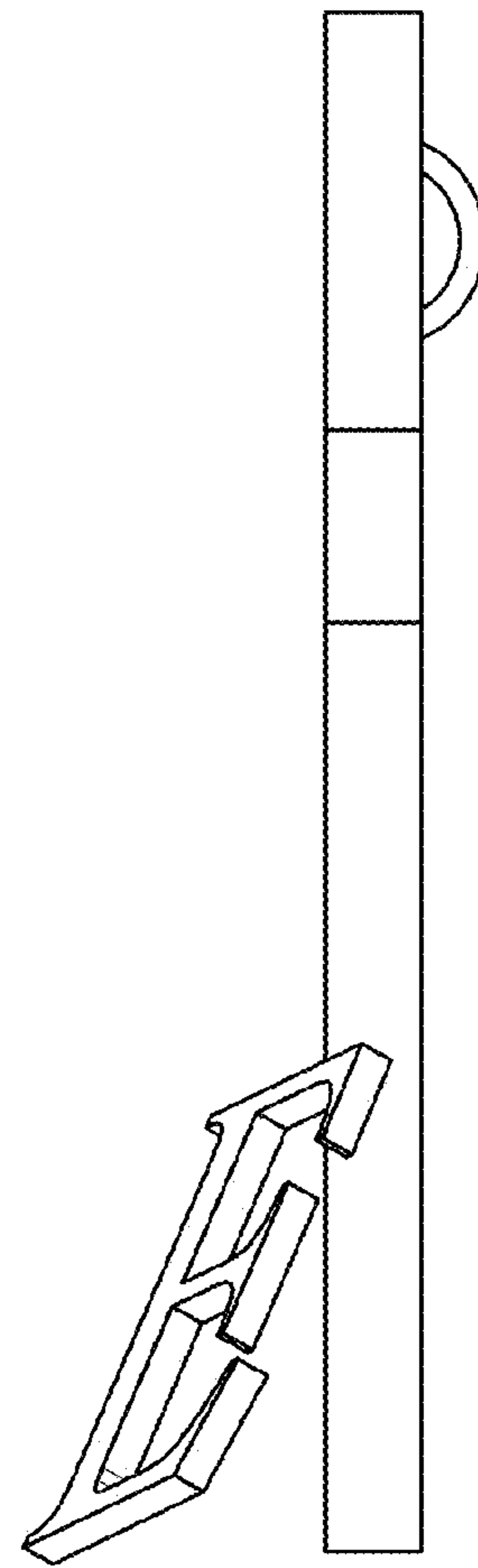


FIG. 33

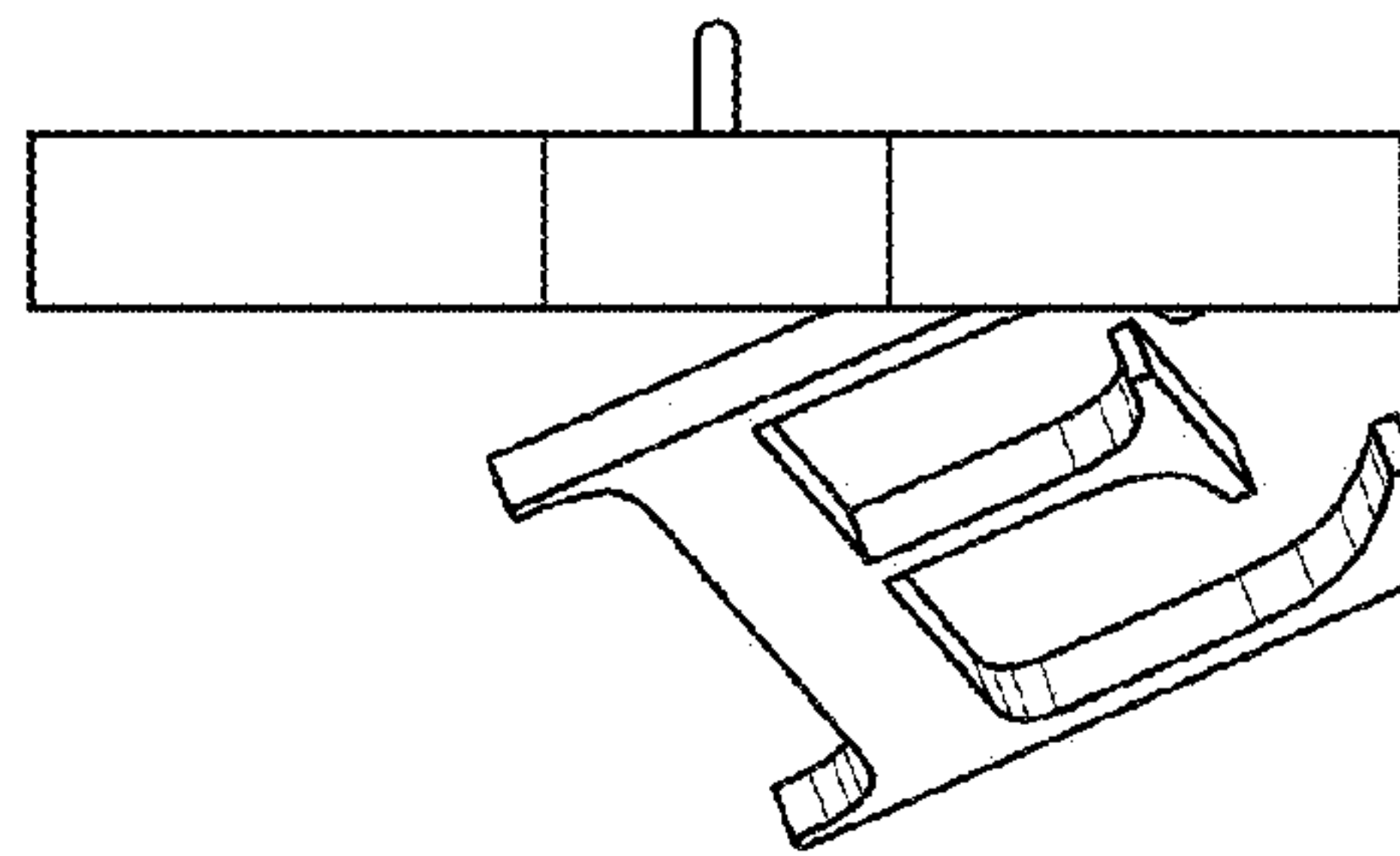


FIG. 34

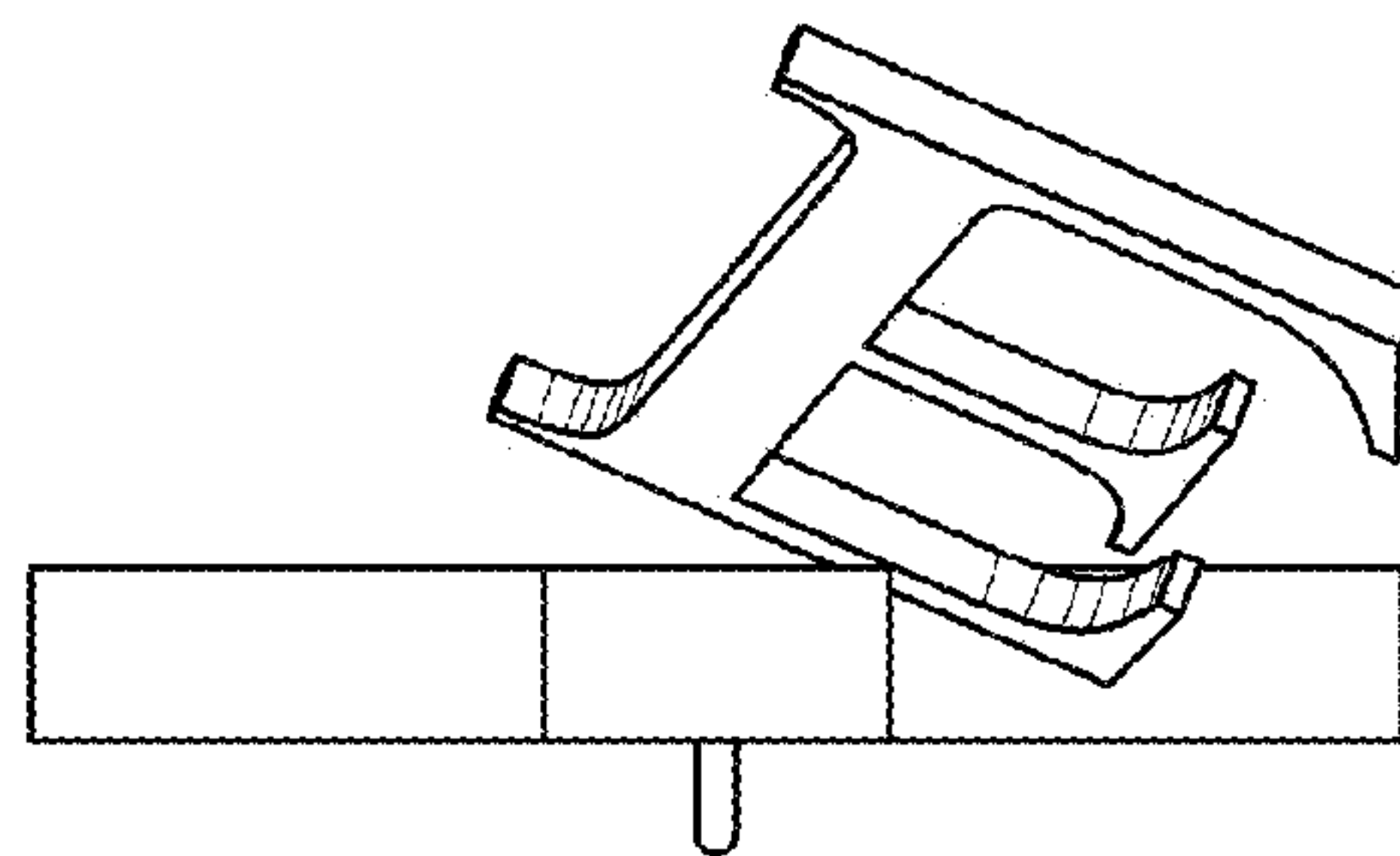


FIG. 35

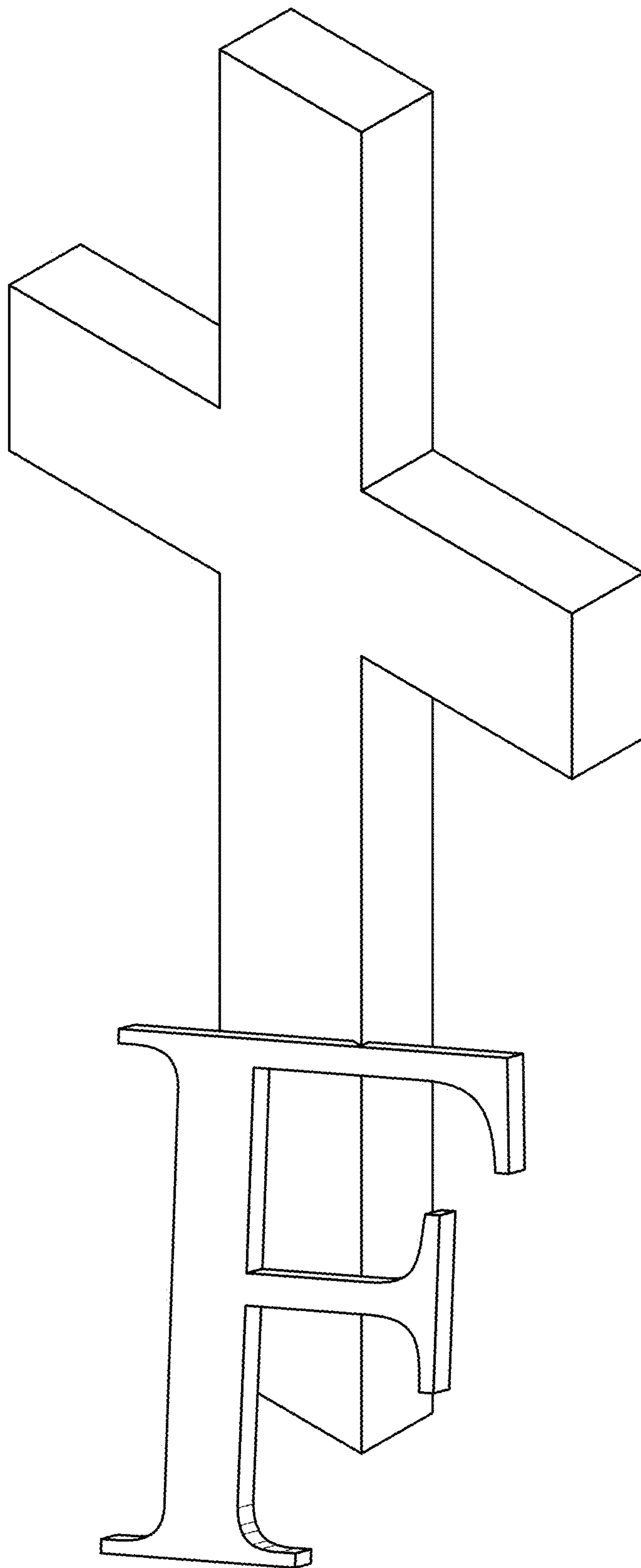


FIG. 36

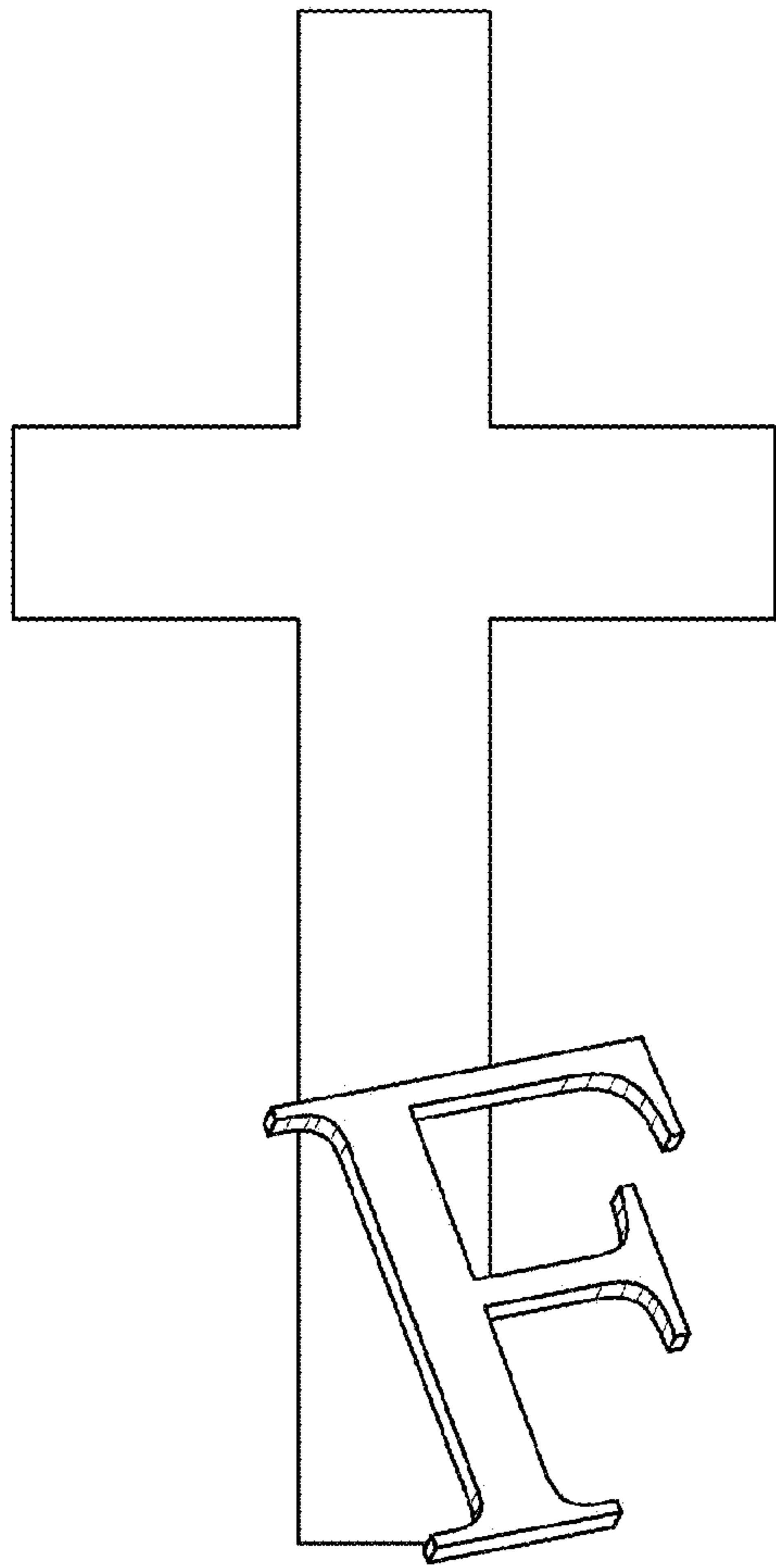


FIG. 37

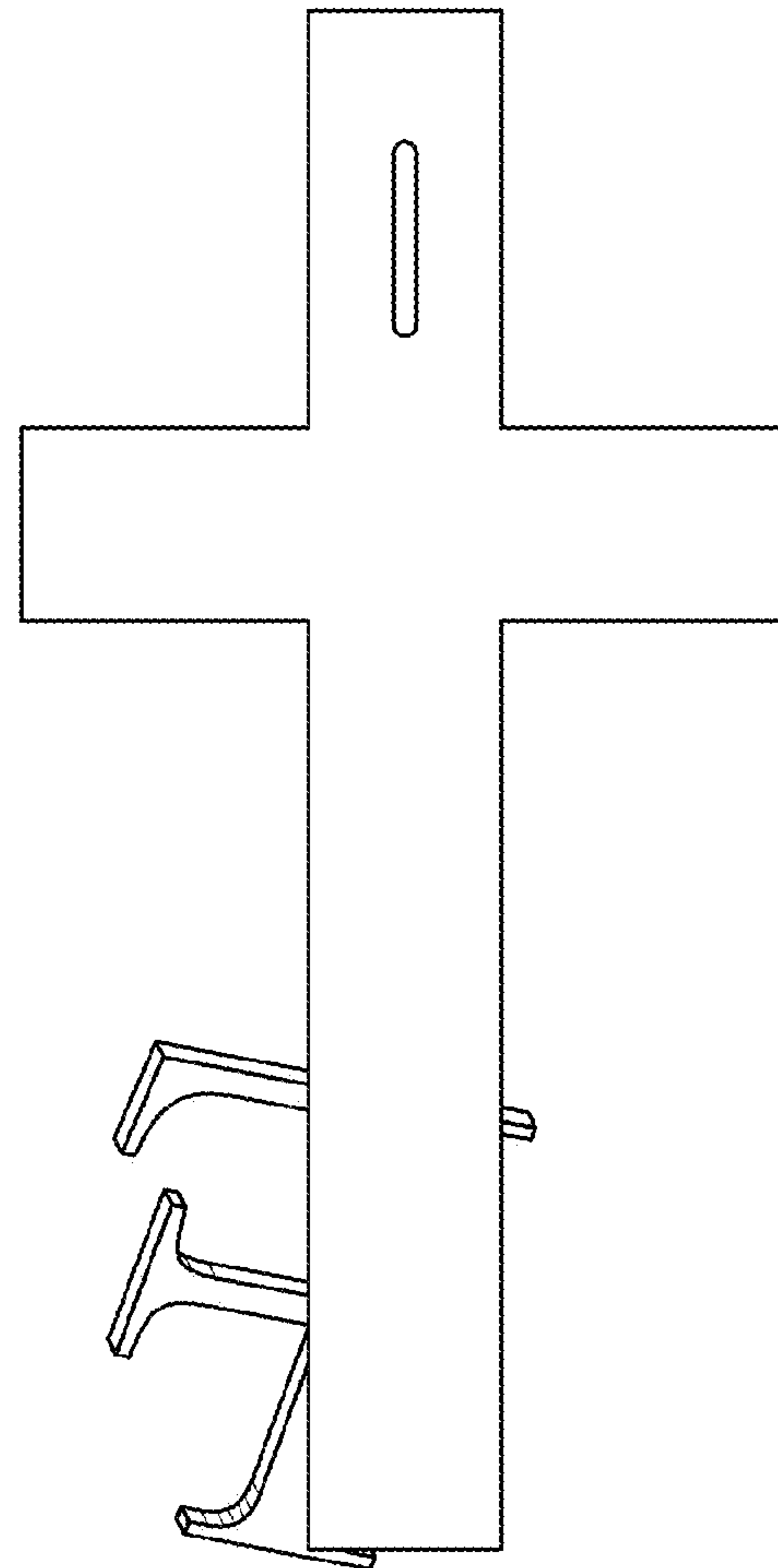


FIG. 38

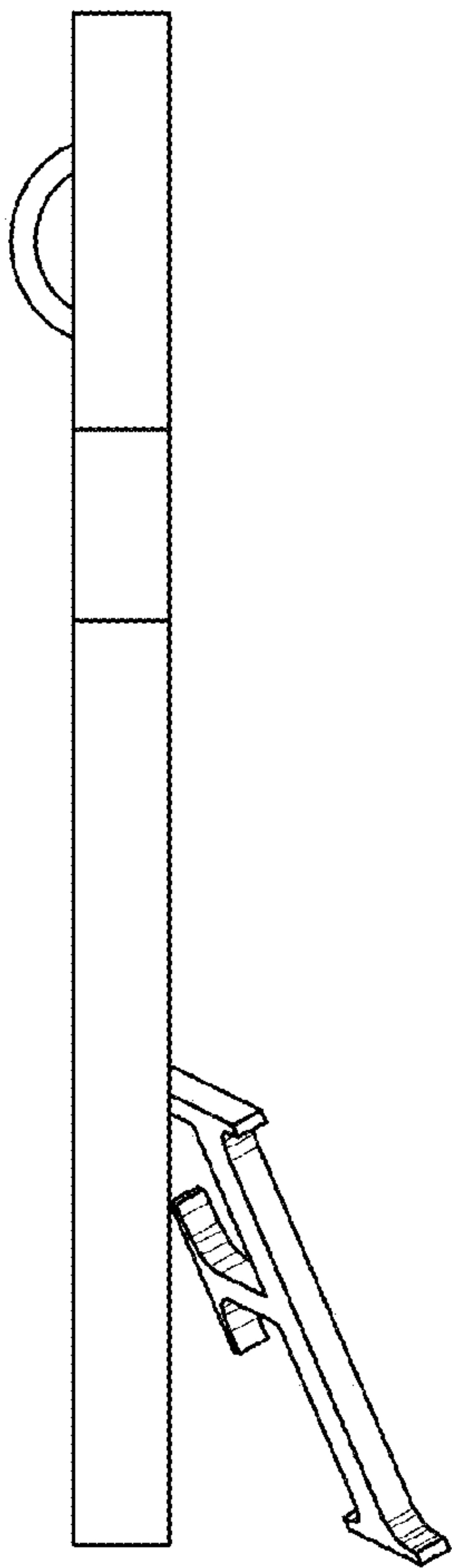


FIG. 39

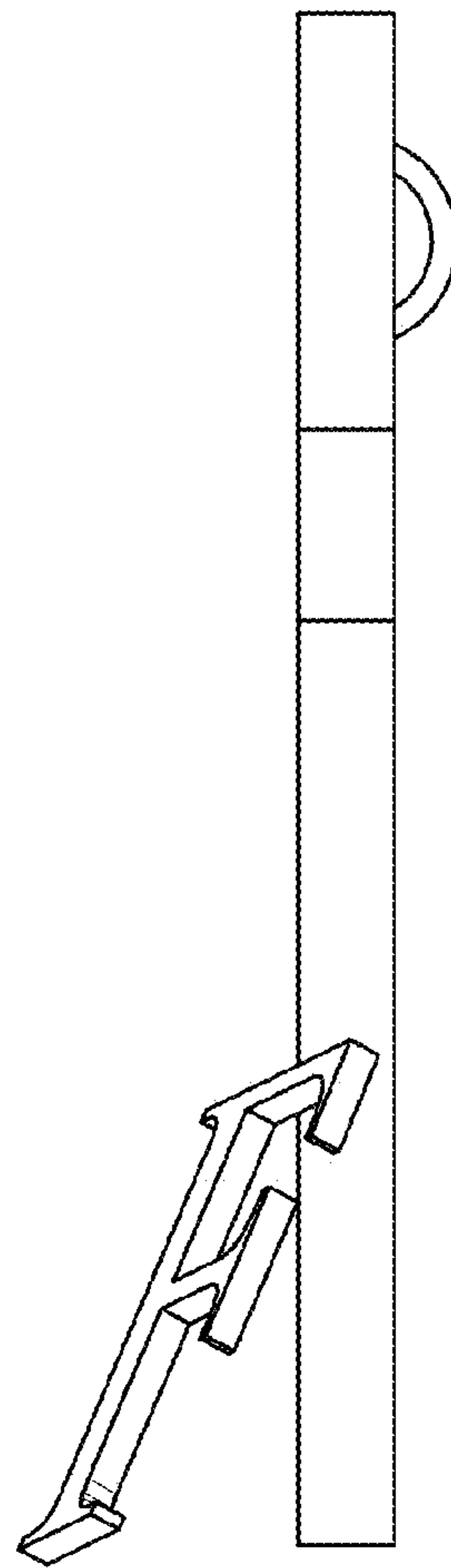


FIG. 40

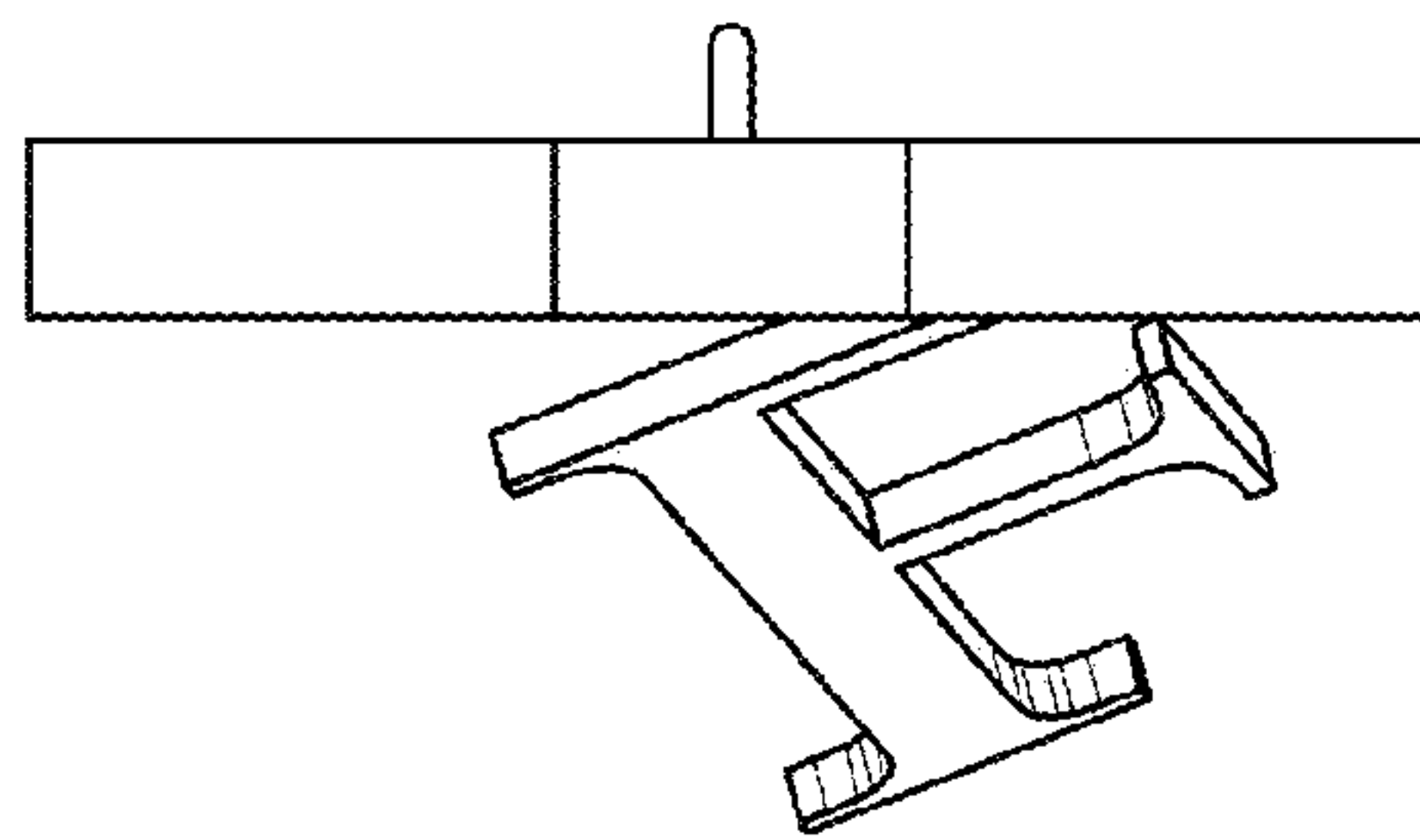


FIG. 41

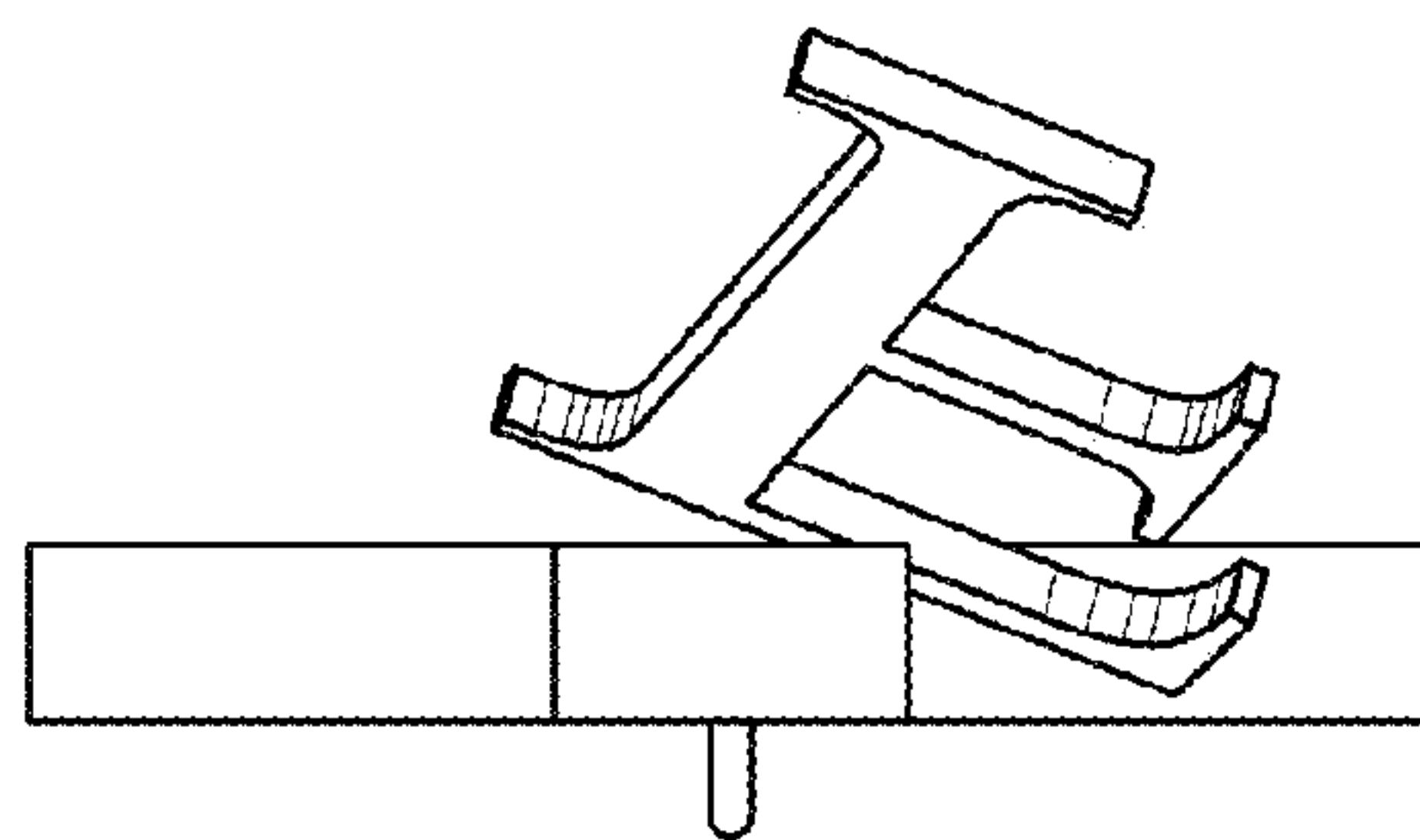


FIG. 42

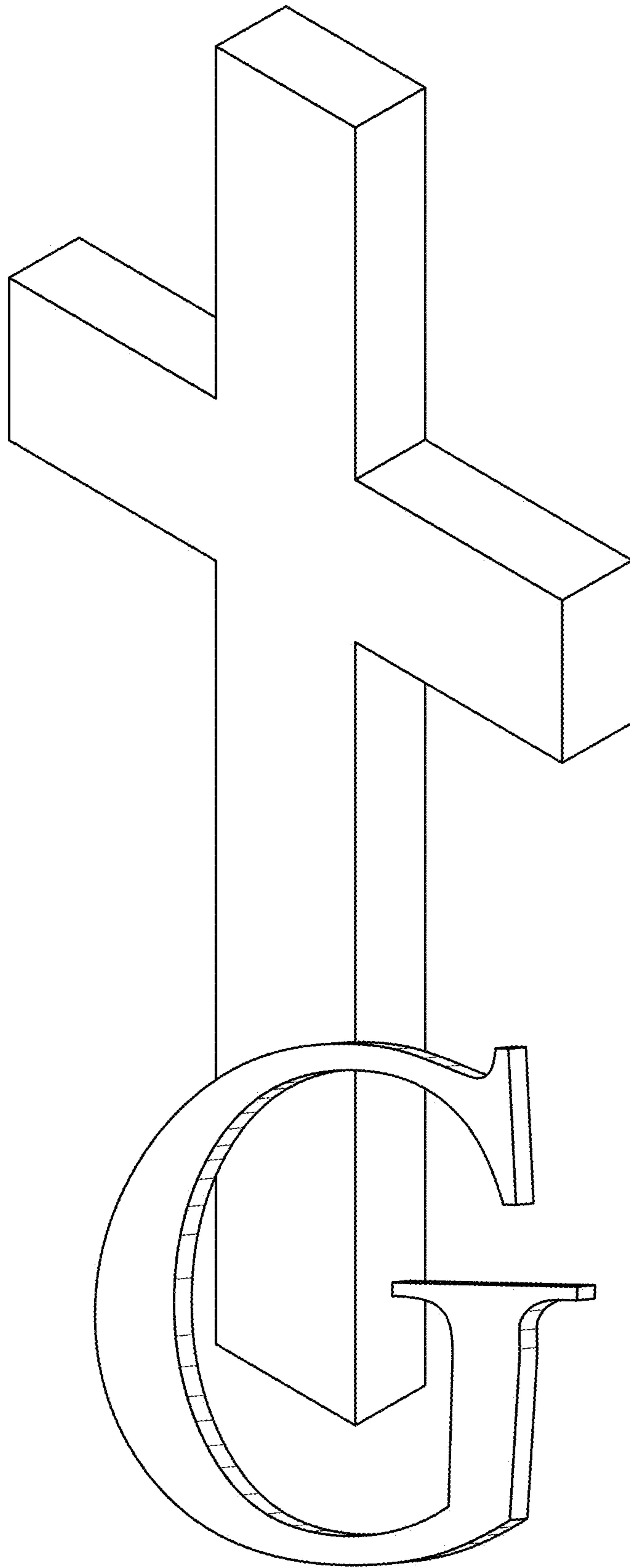


FIG. 43

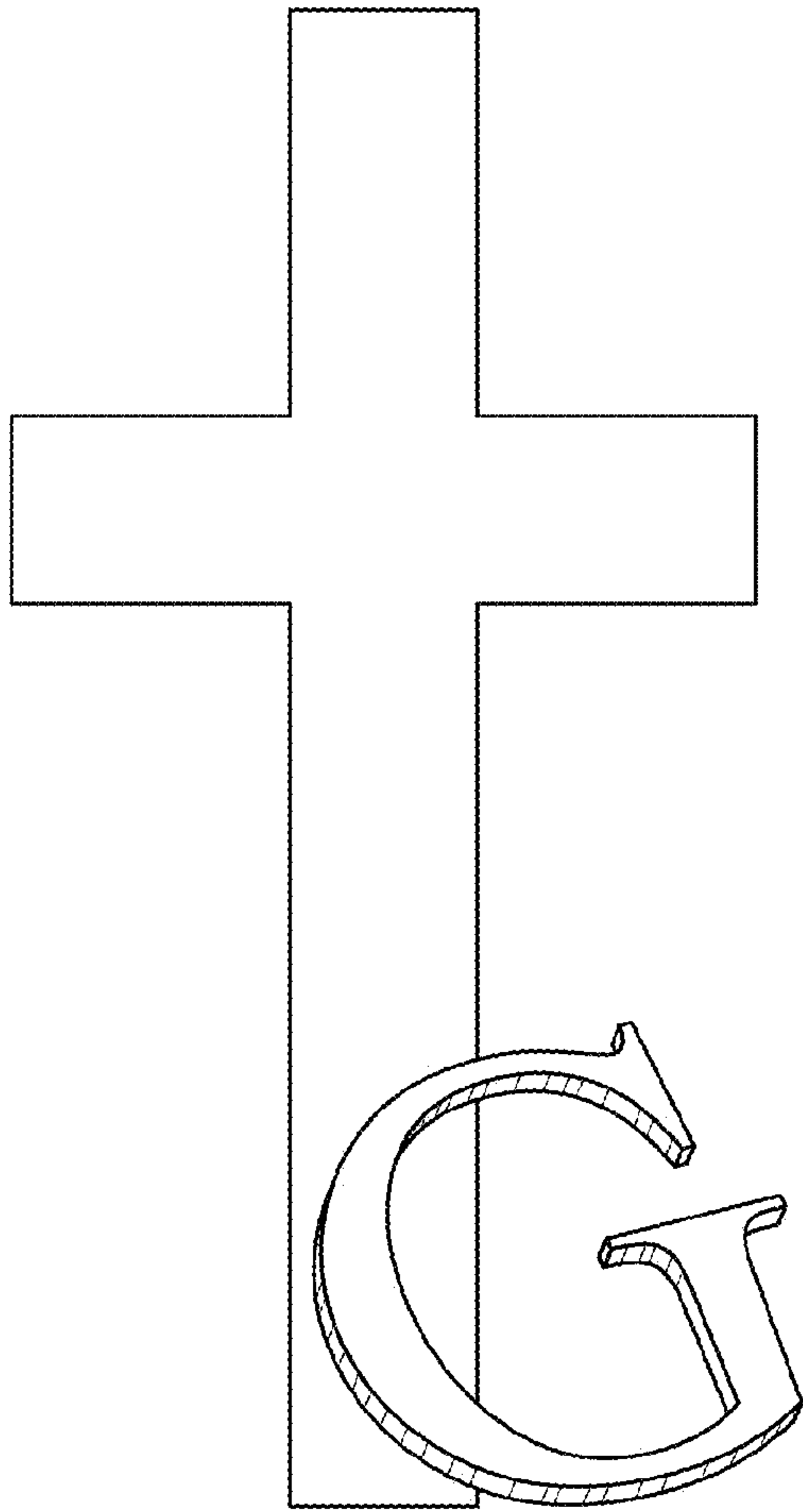


FIG. 44

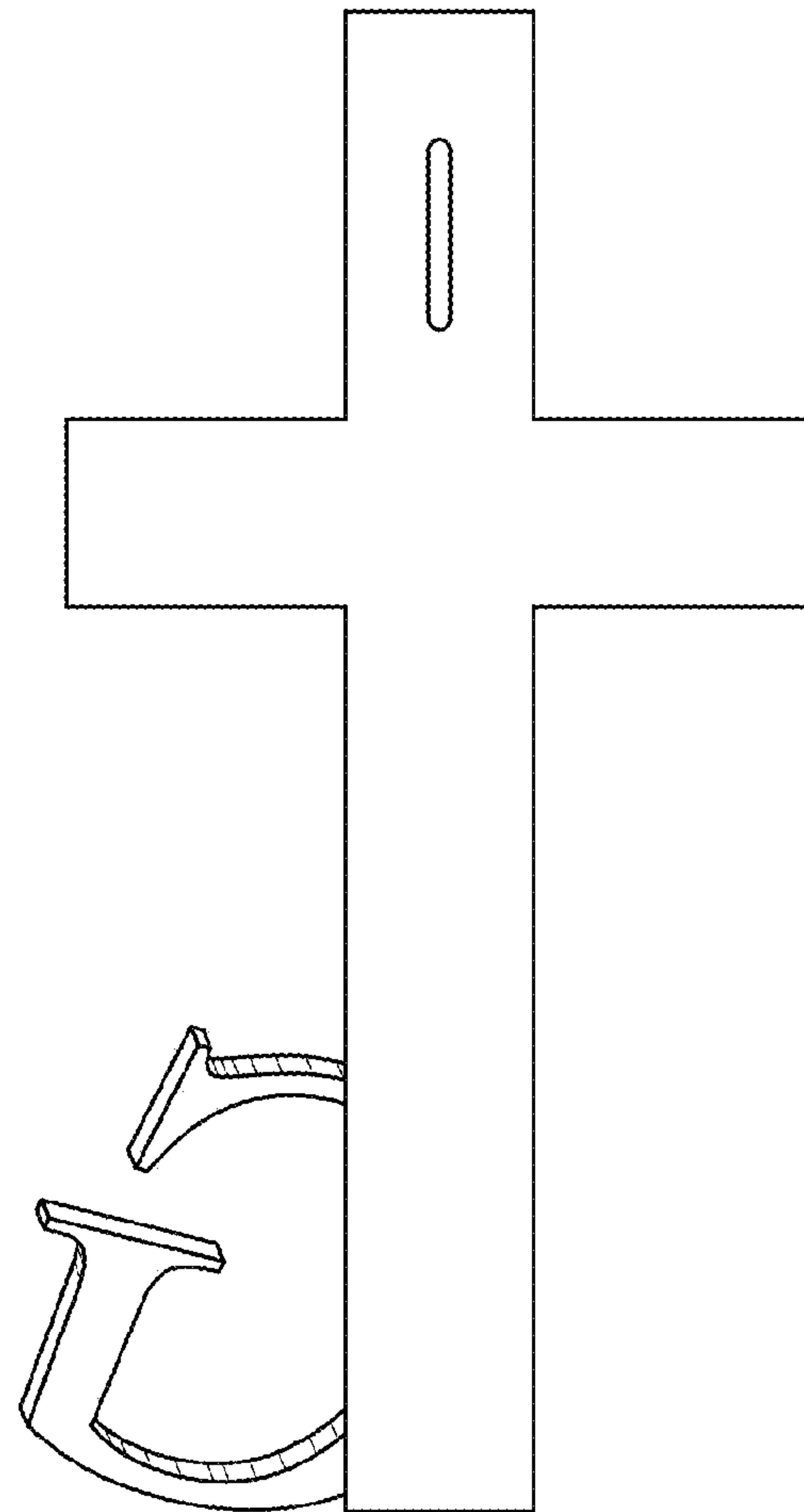


FIG. 45

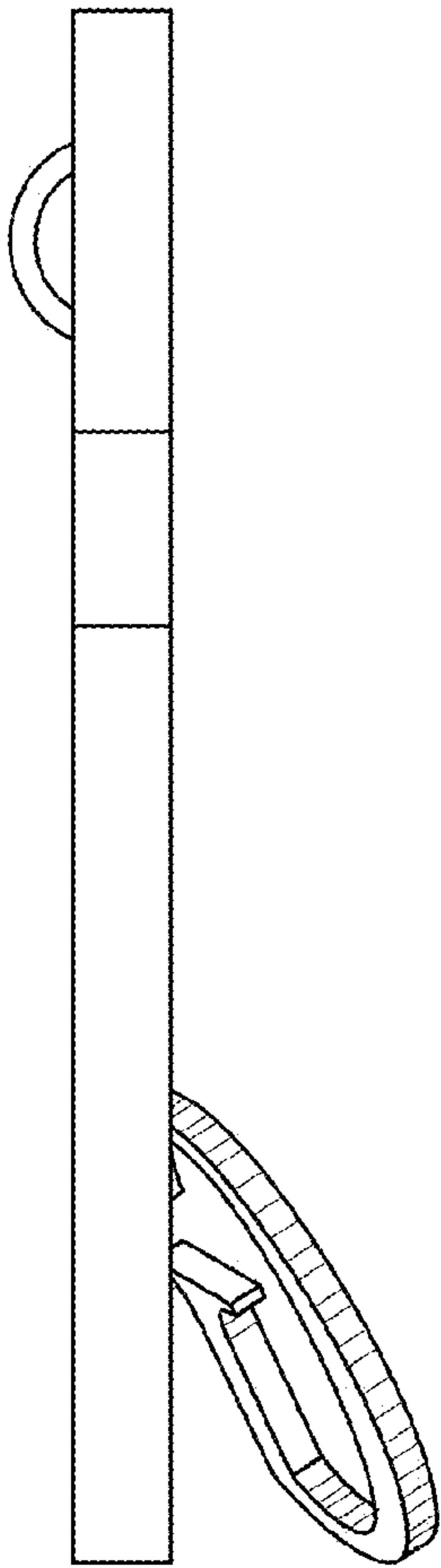


FIG. 46

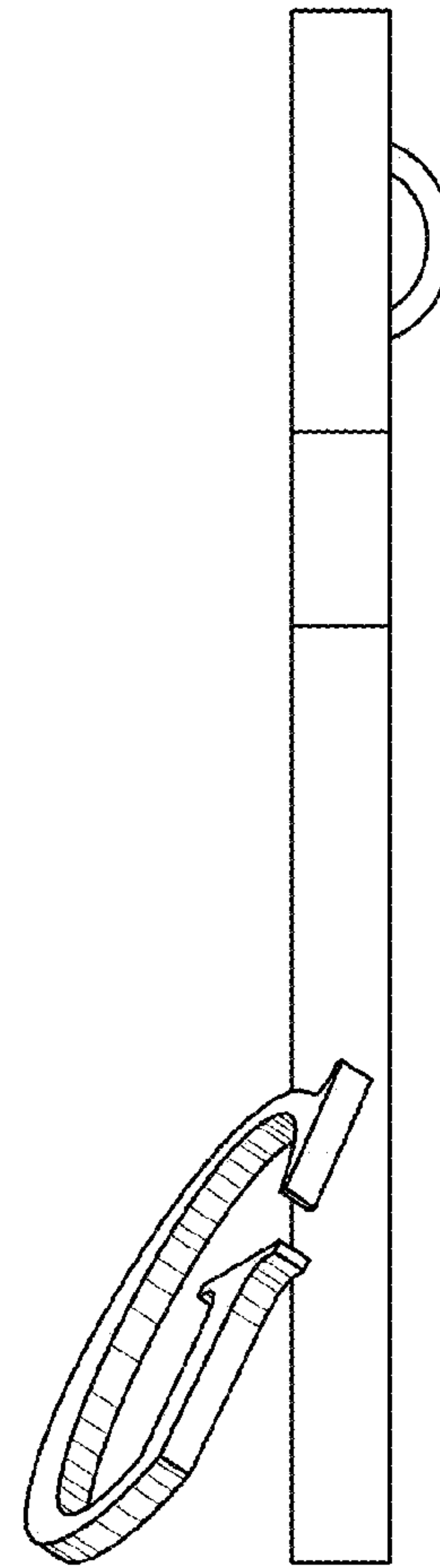


FIG. 47

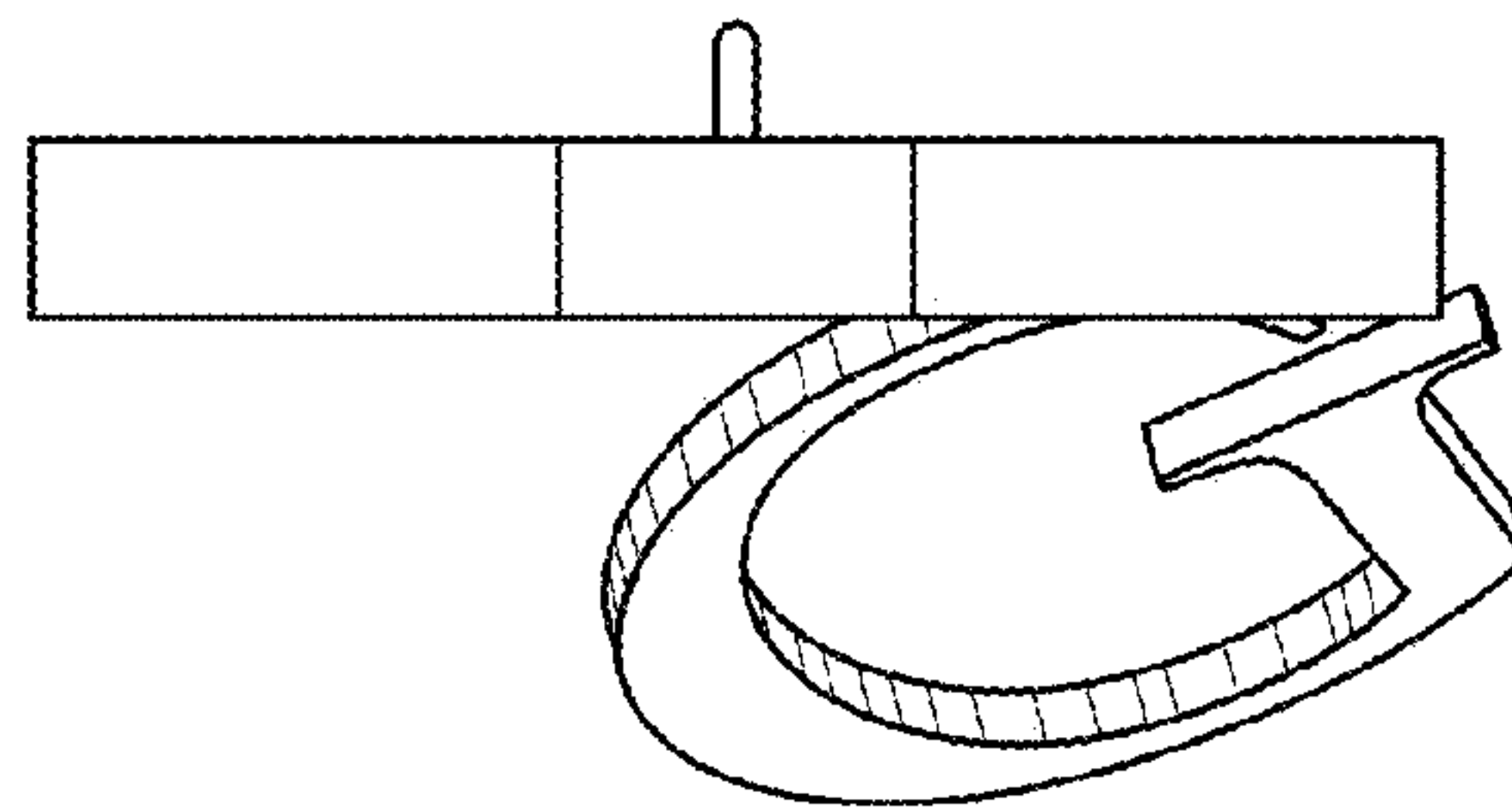


FIG. 48

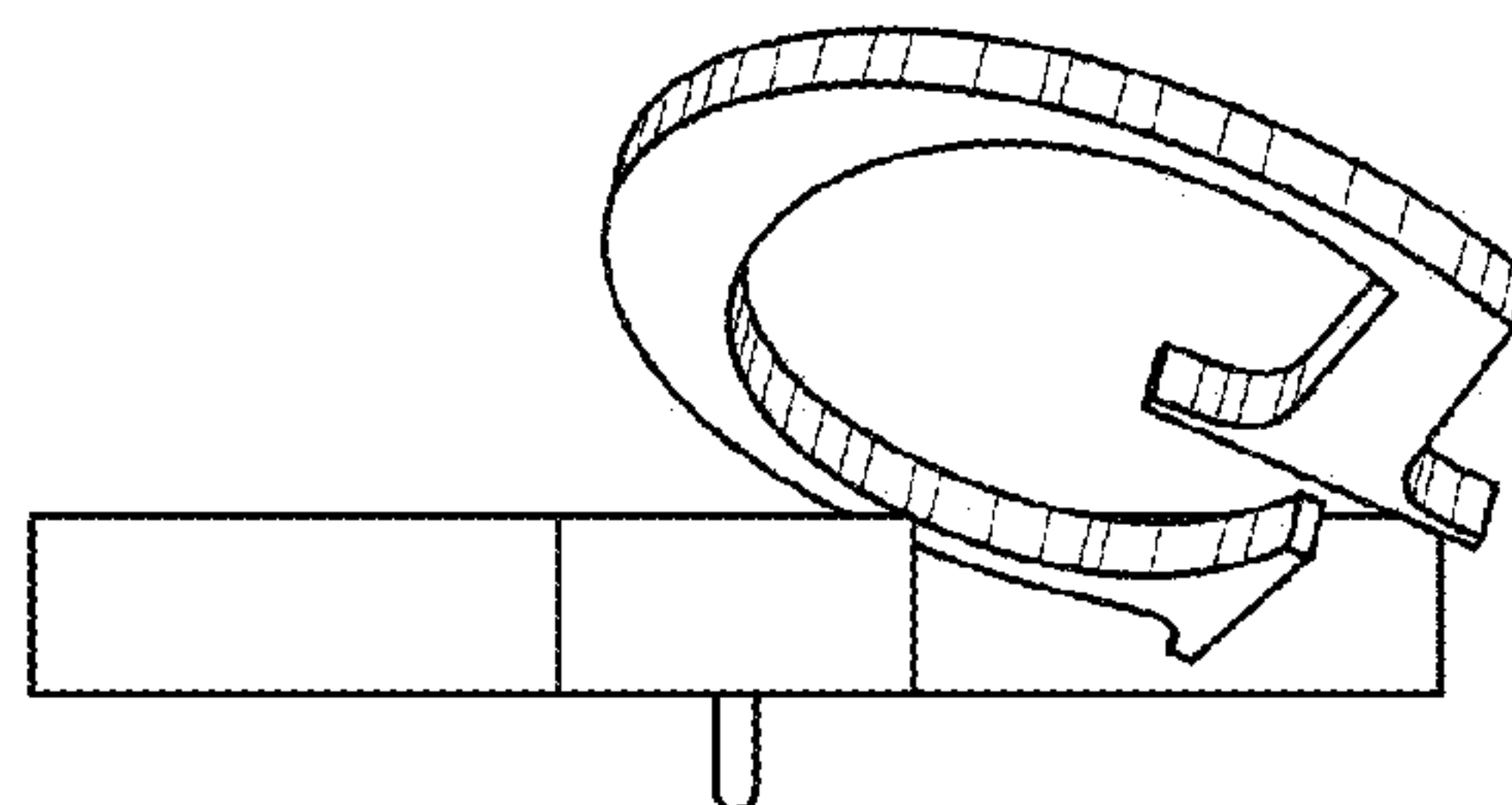


FIG. 49

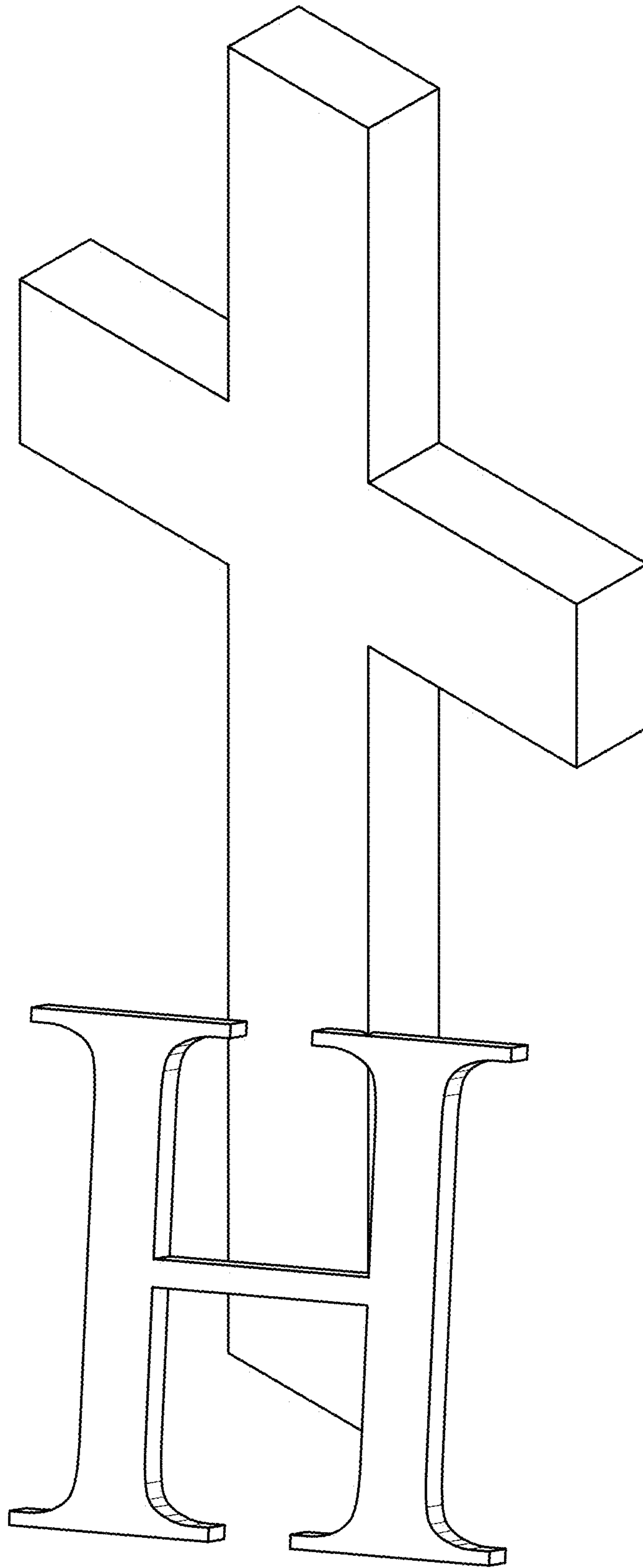


FIG. 50

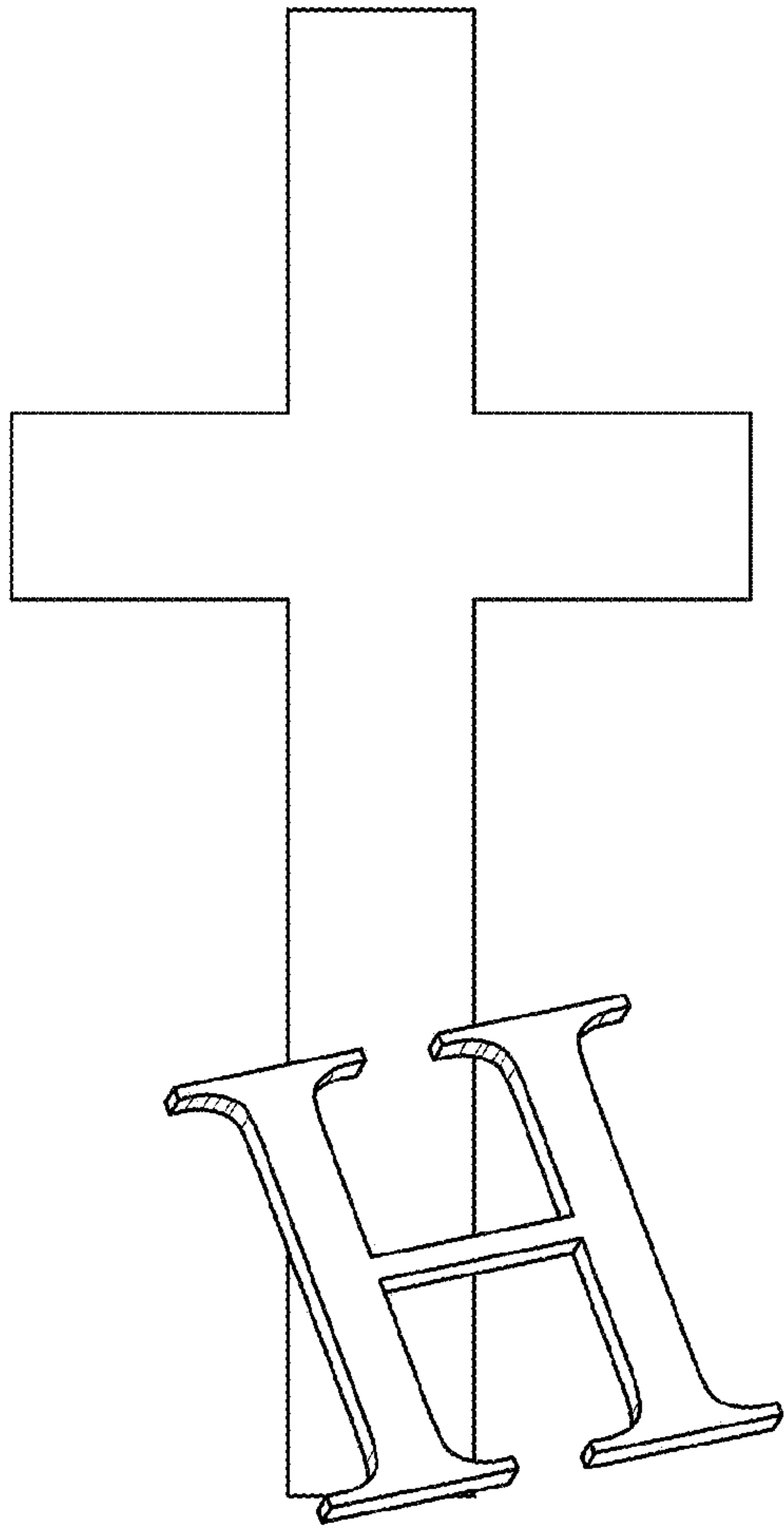


FIG. 51

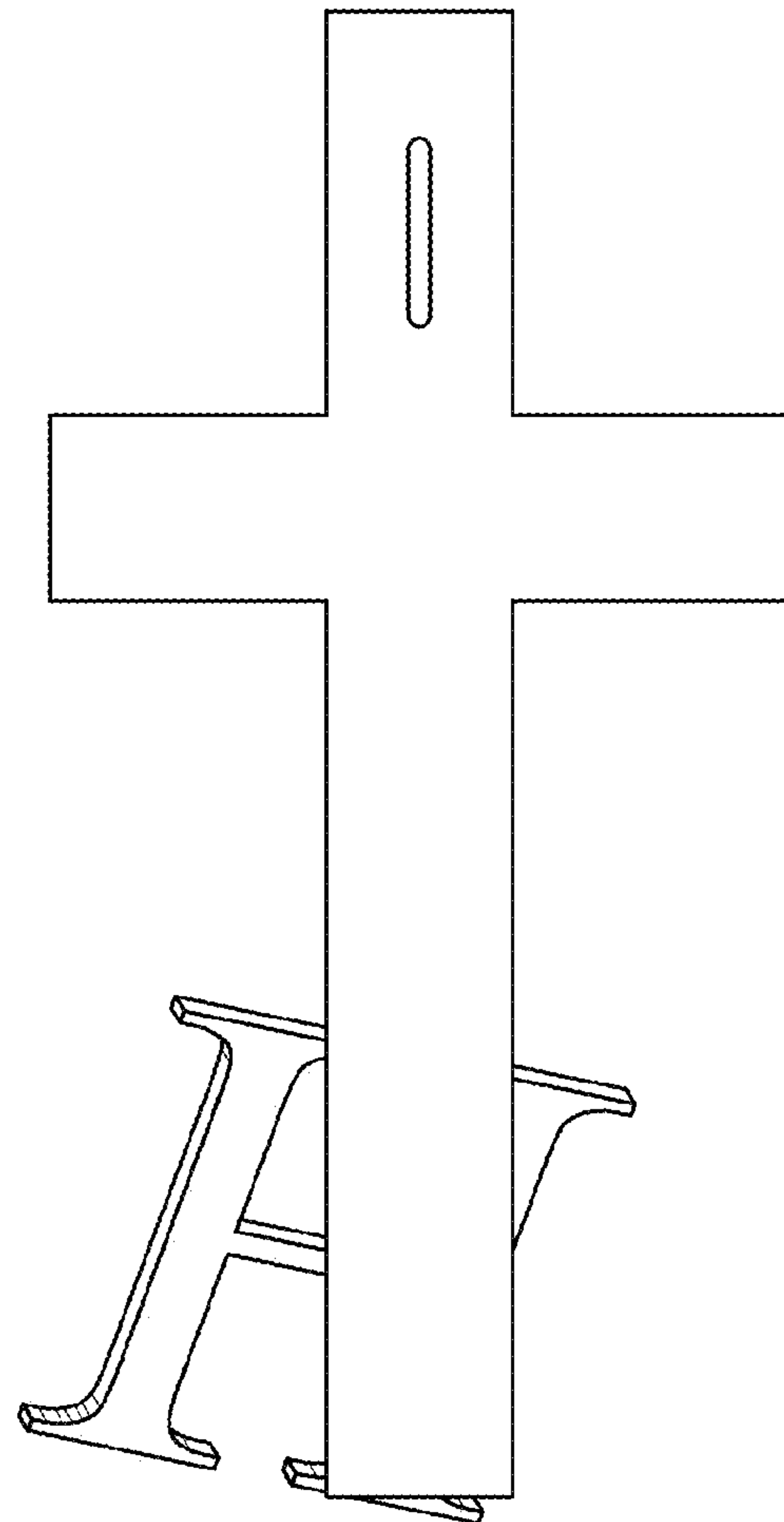


FIG. 52

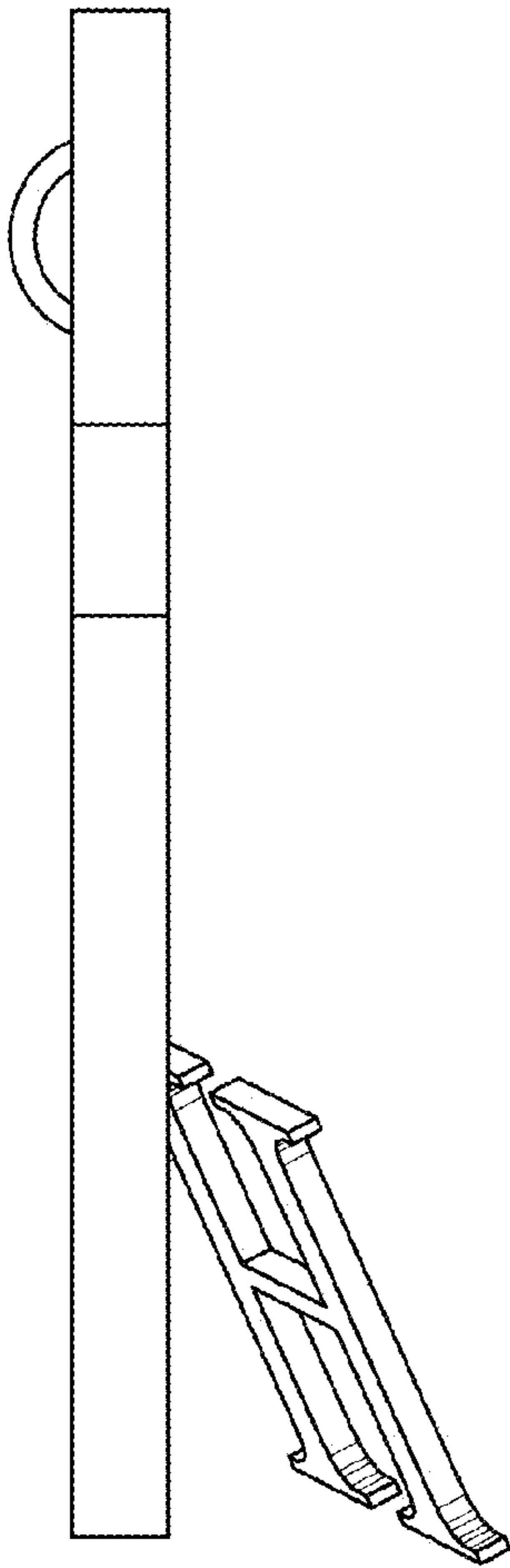


FIG. 53

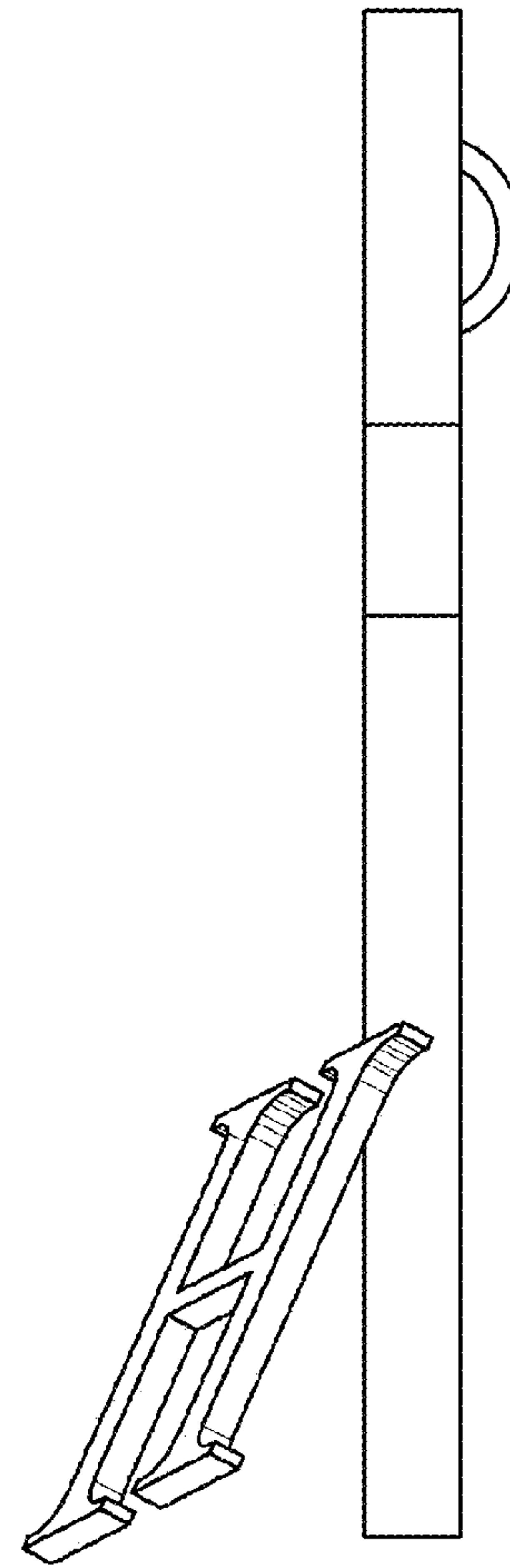


FIG. 54

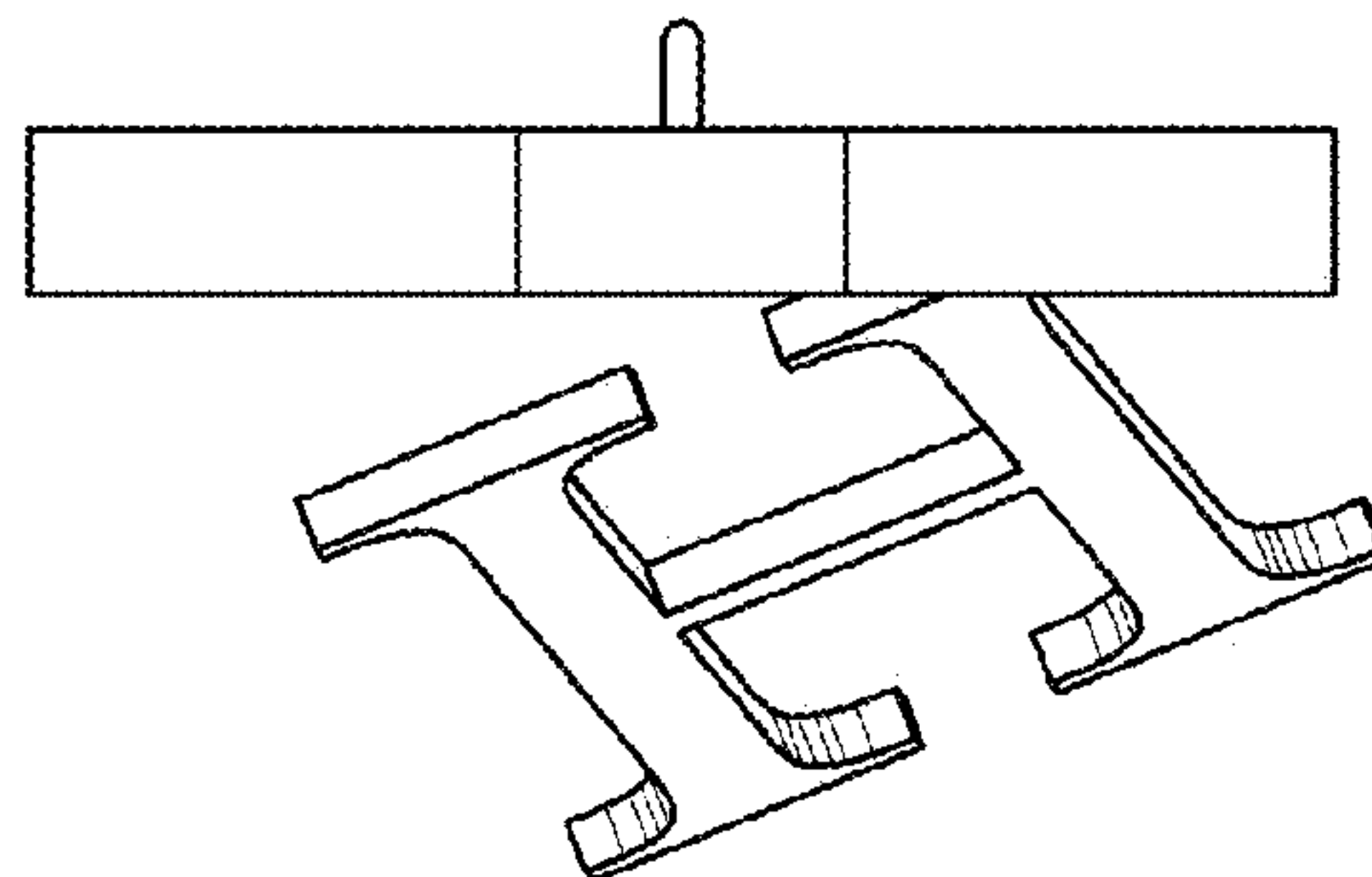


FIG. 55

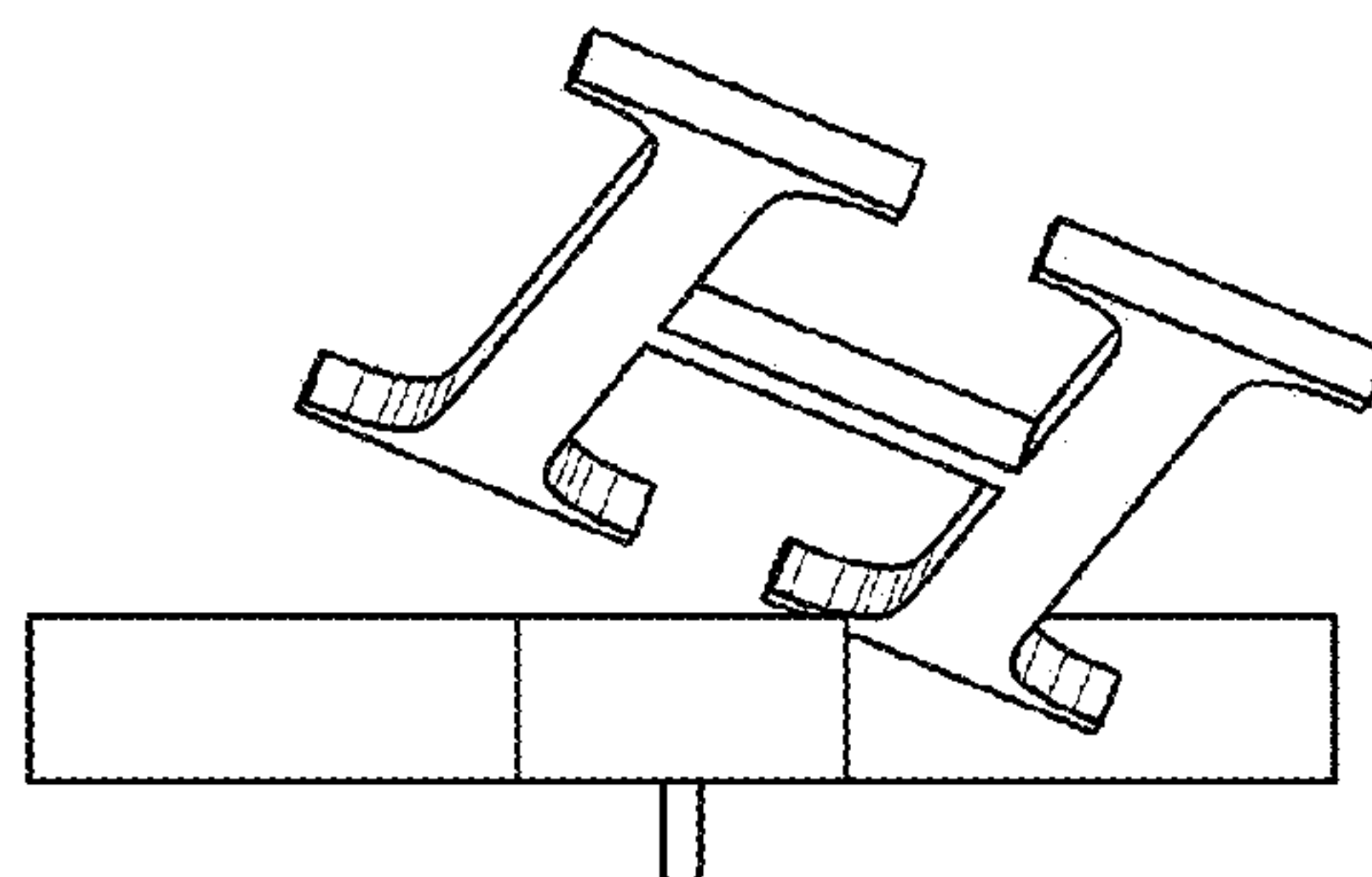


FIG. 56

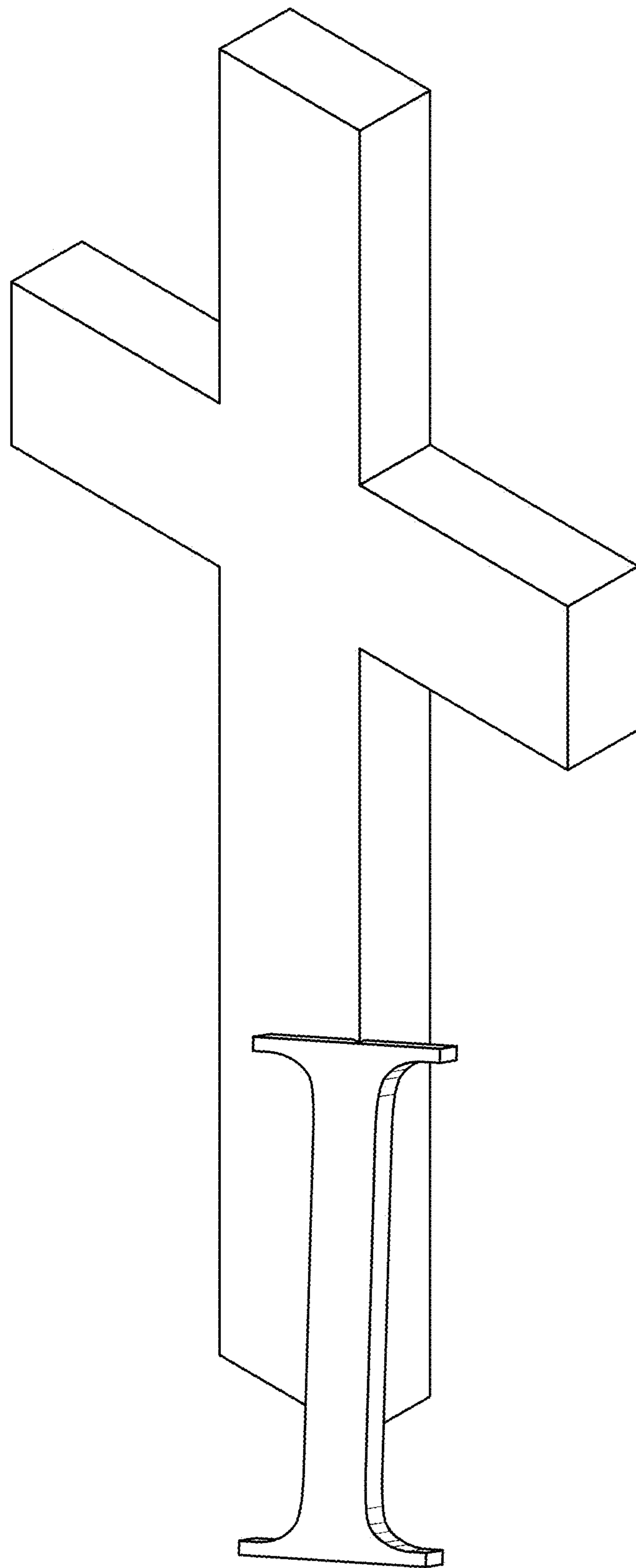


FIG. 57

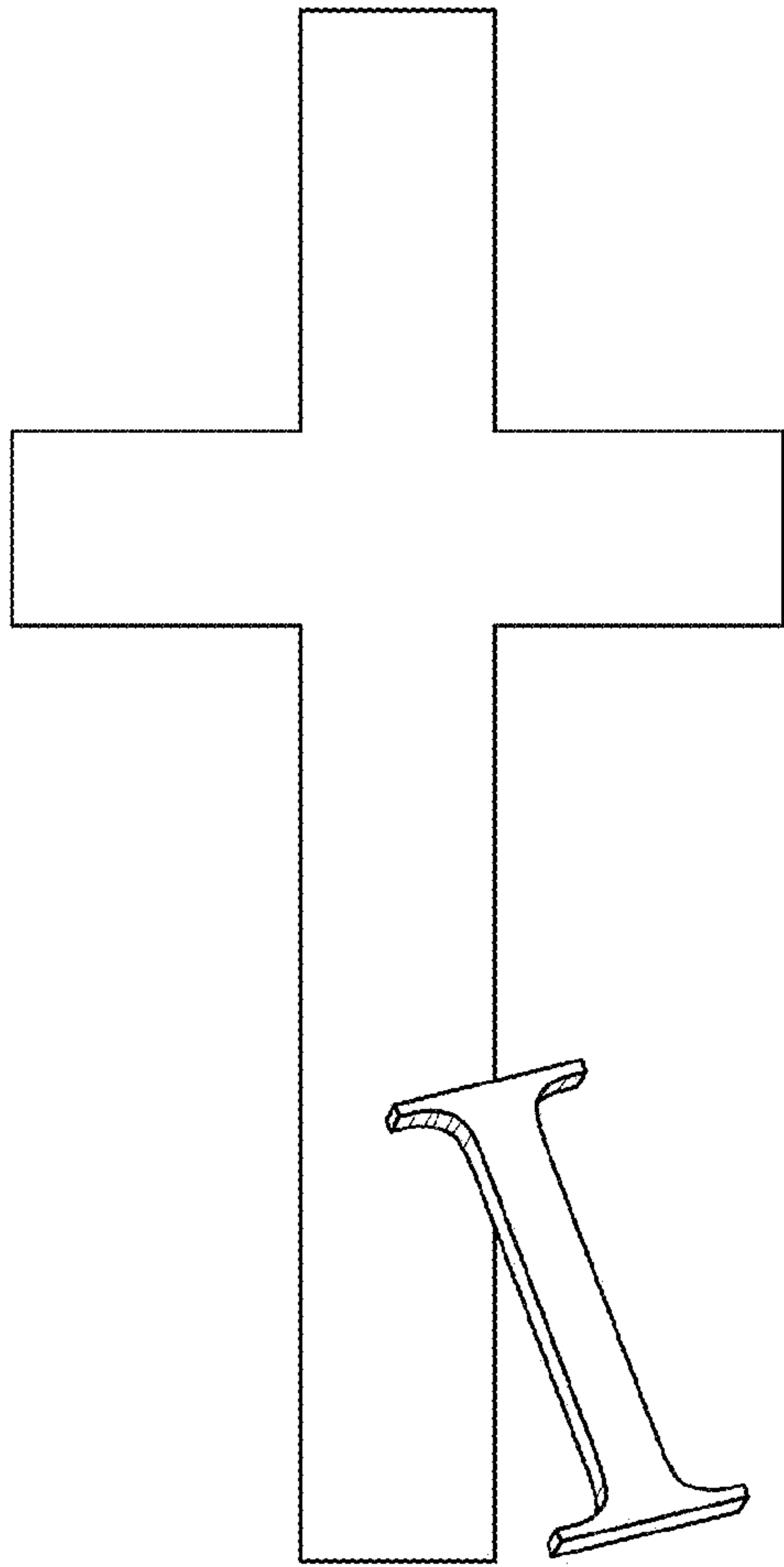


FIG. 58

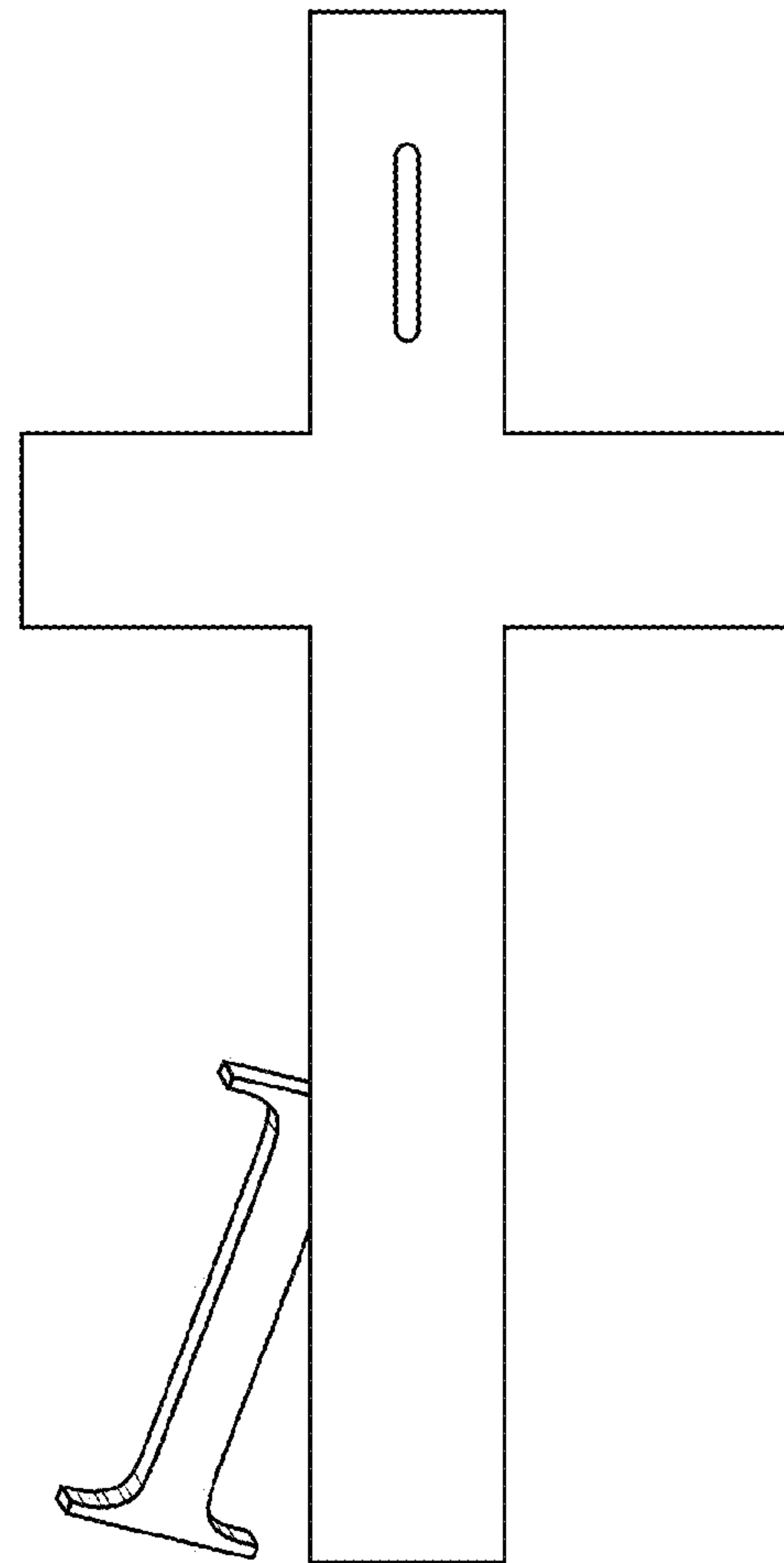


FIG. 59

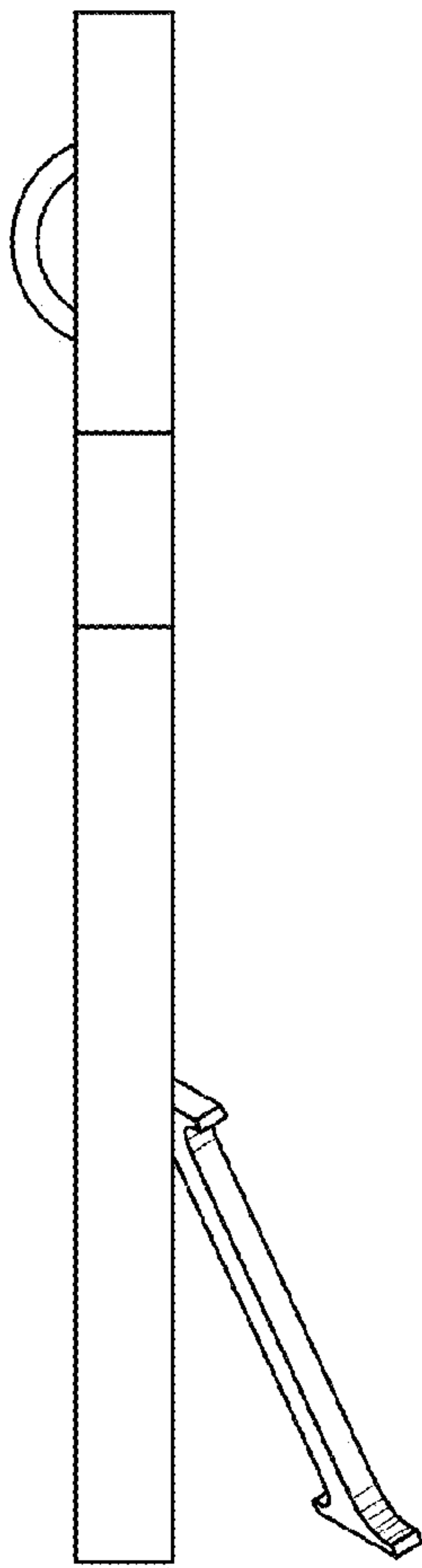


FIG. 60

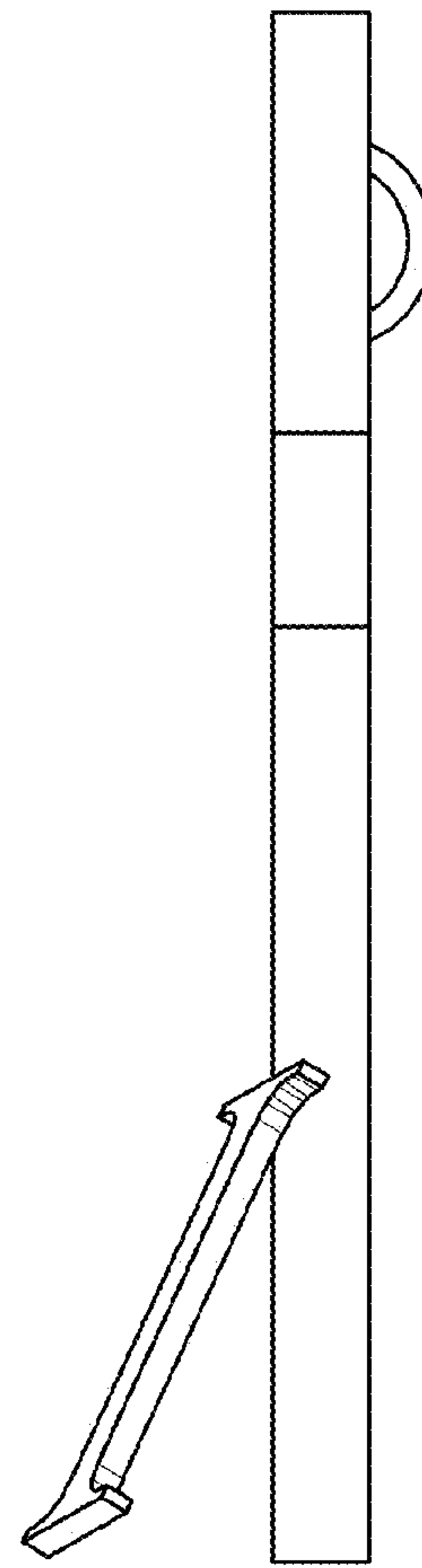


FIG. 61

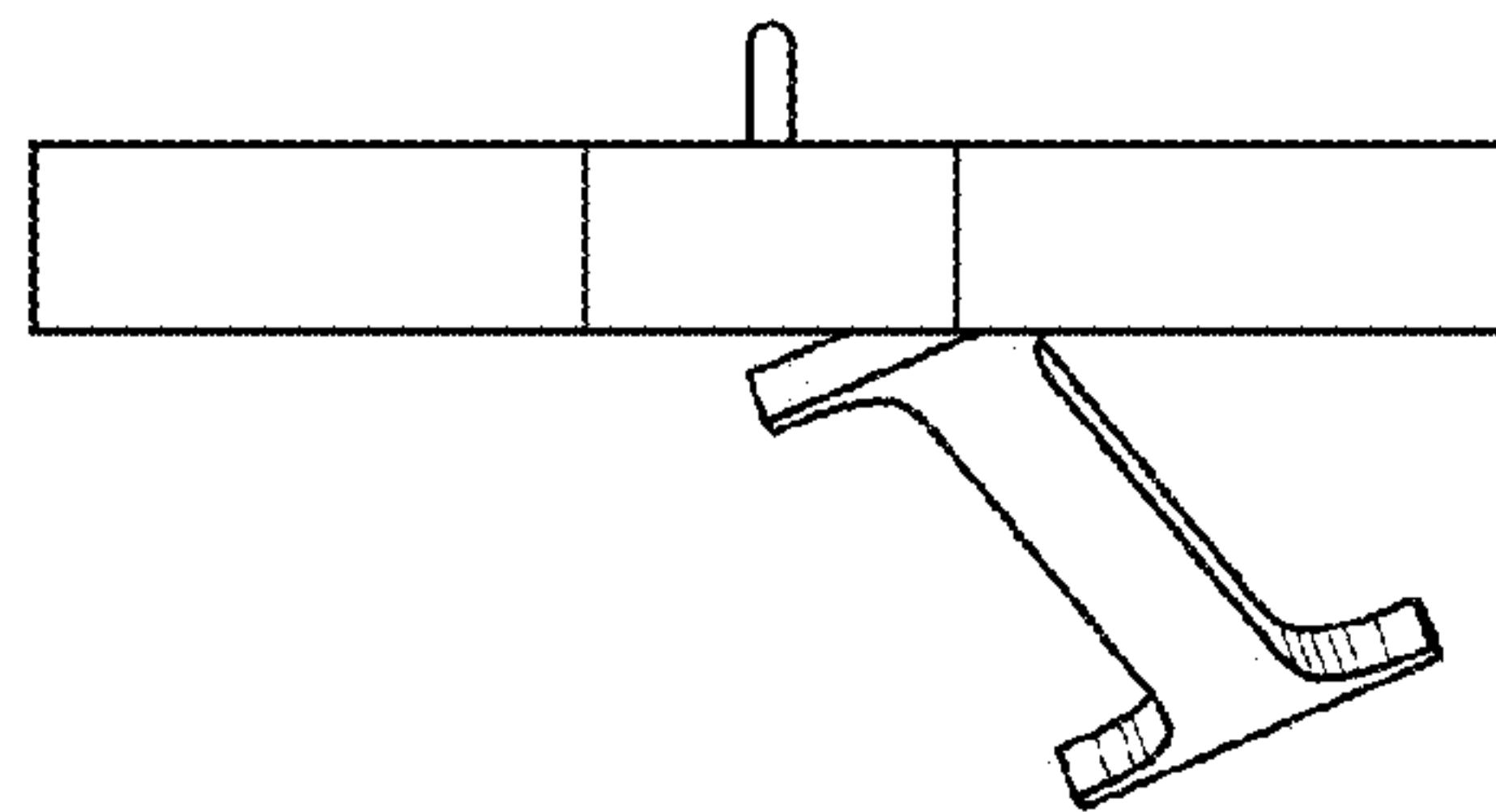


FIG. 62

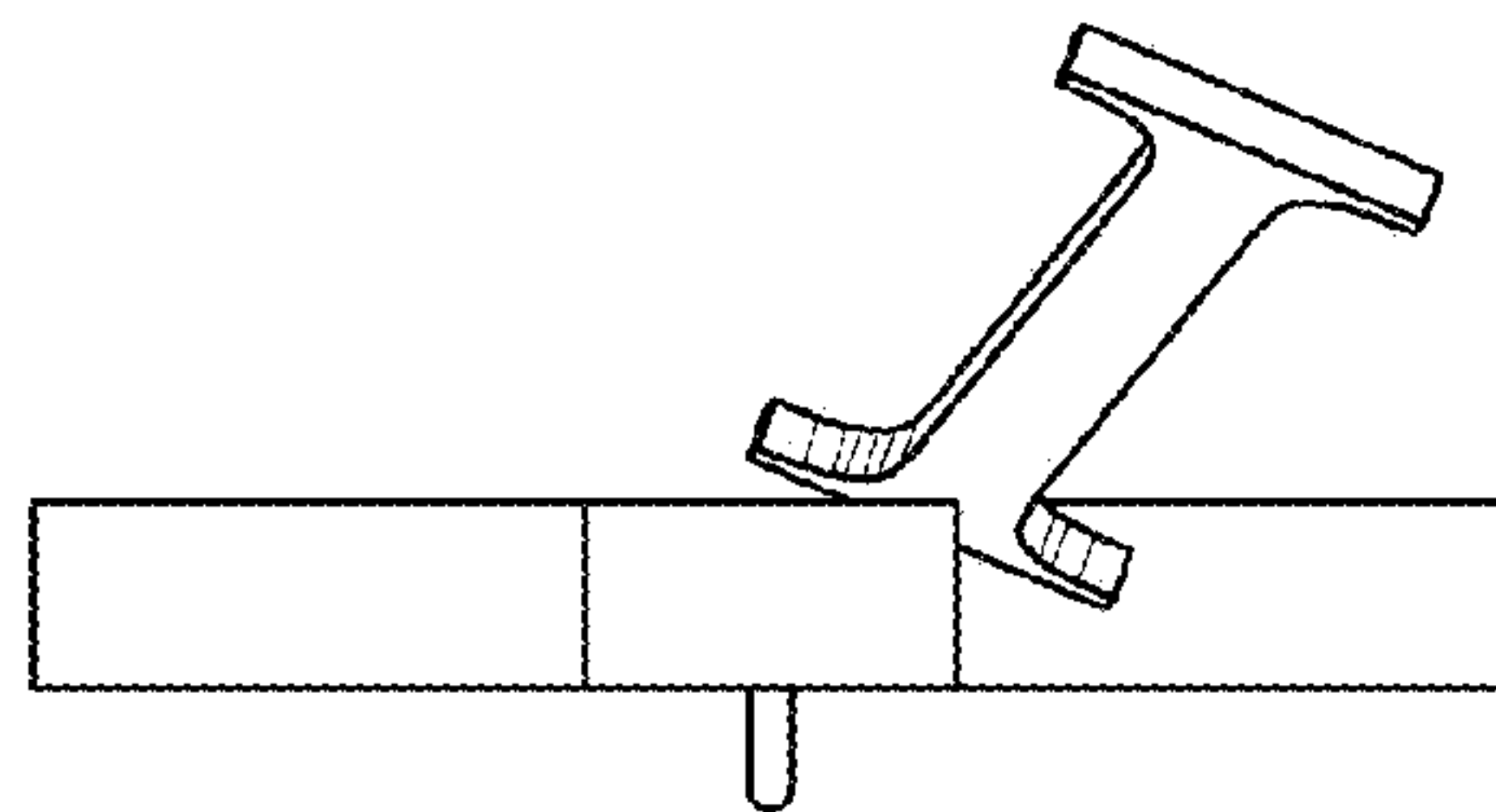


FIG. 63

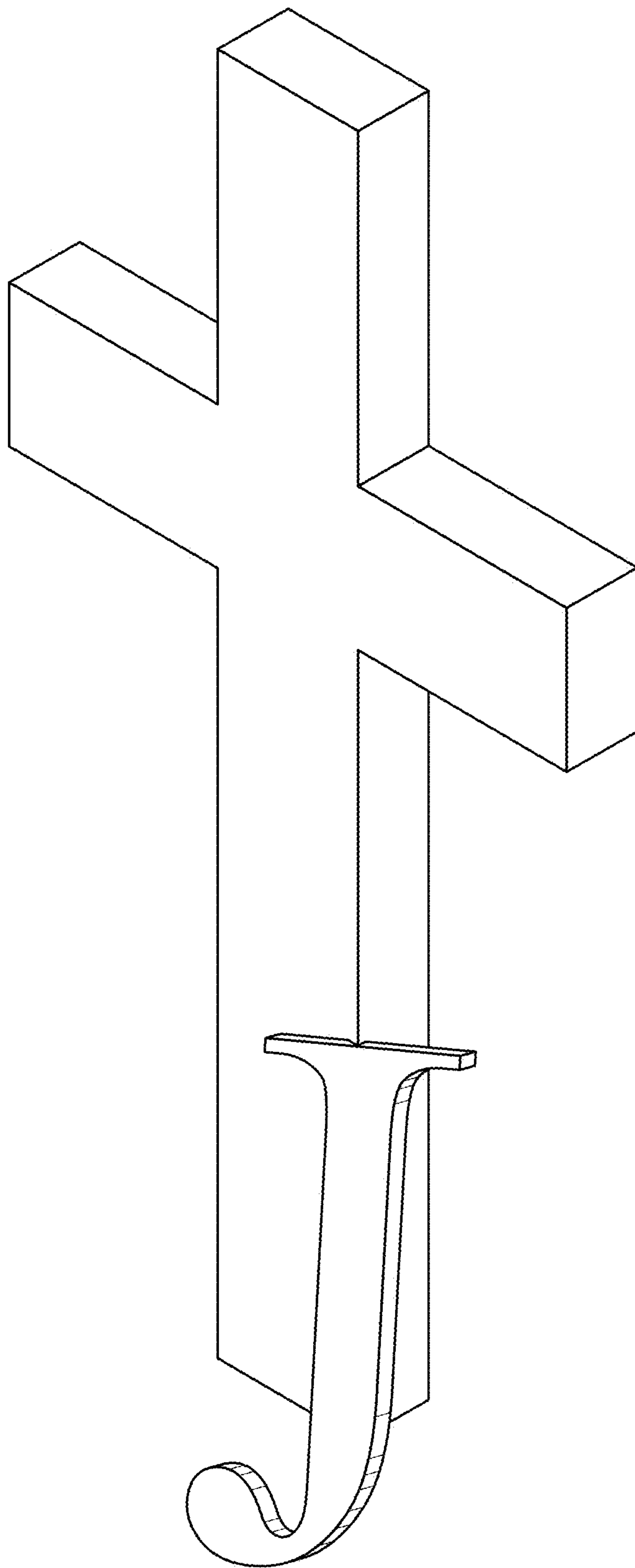


FIG. 64

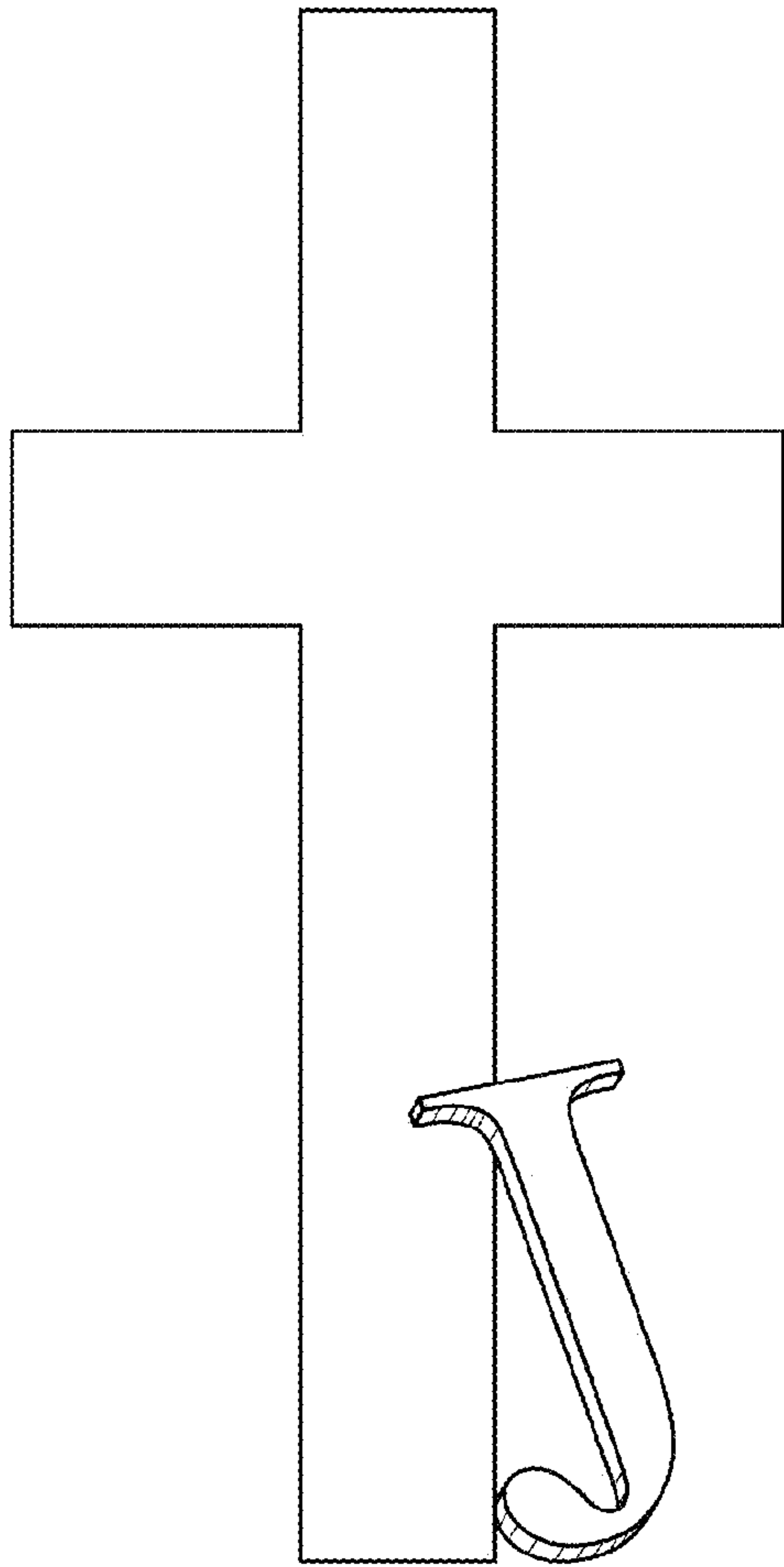


FIG. 65

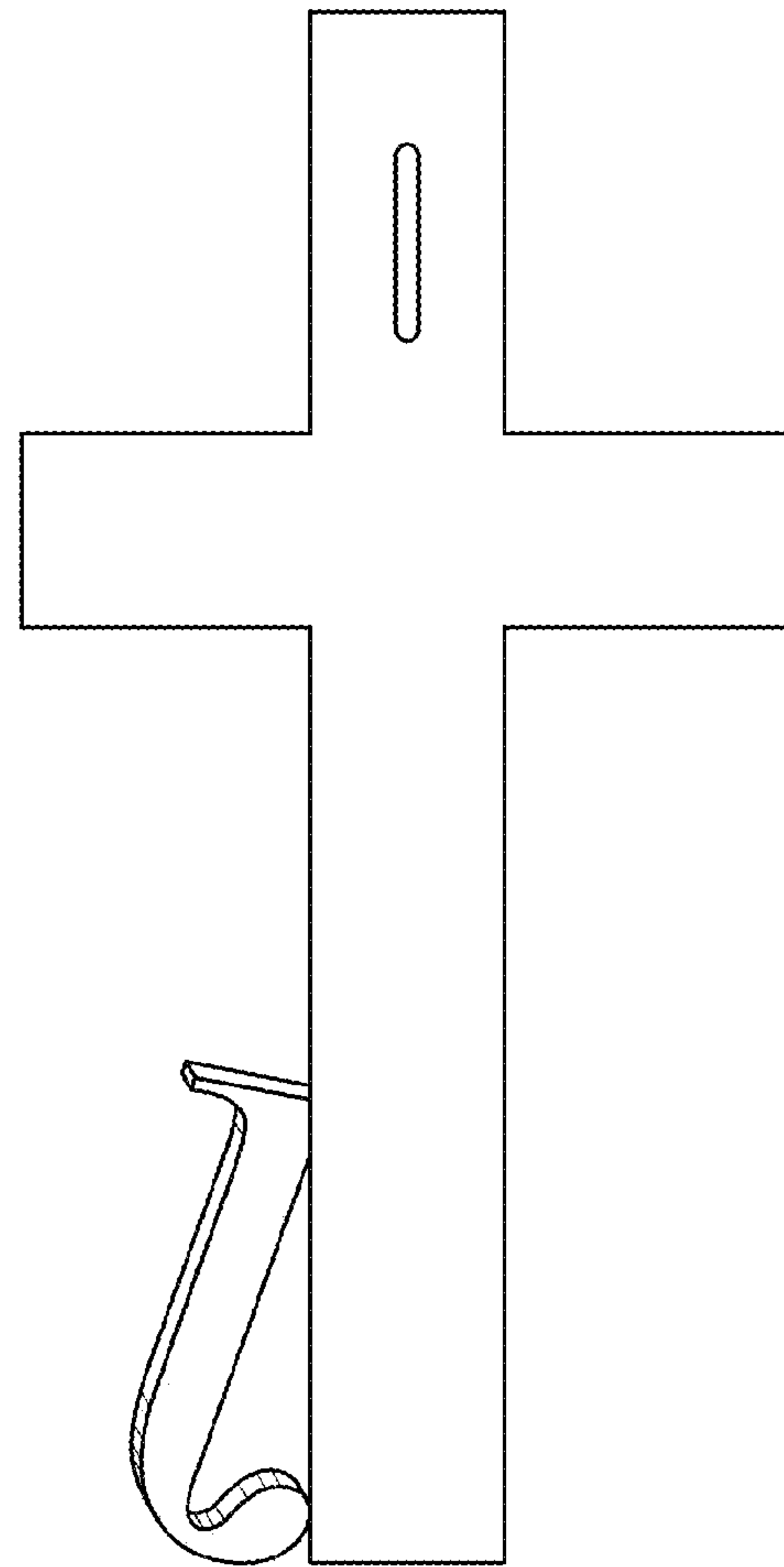


FIG. 66

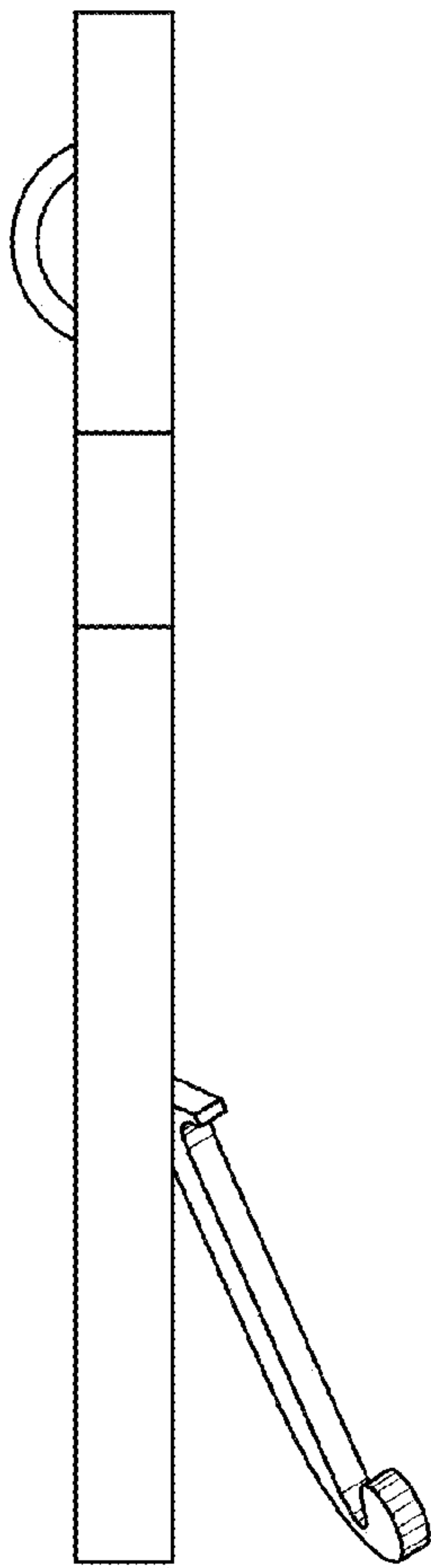


FIG. 67

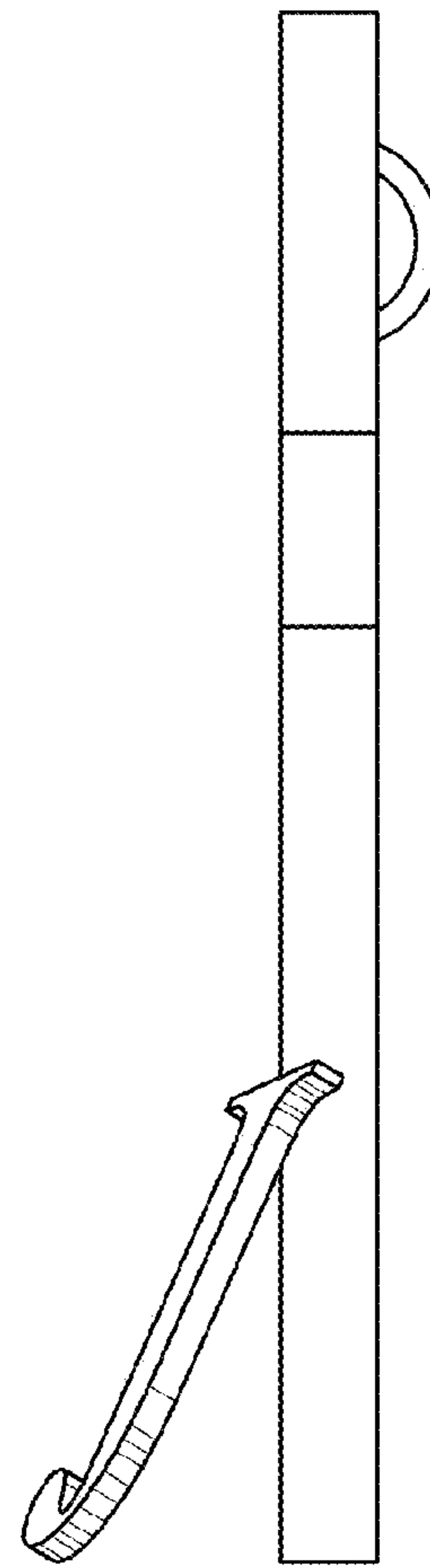


FIG. 68

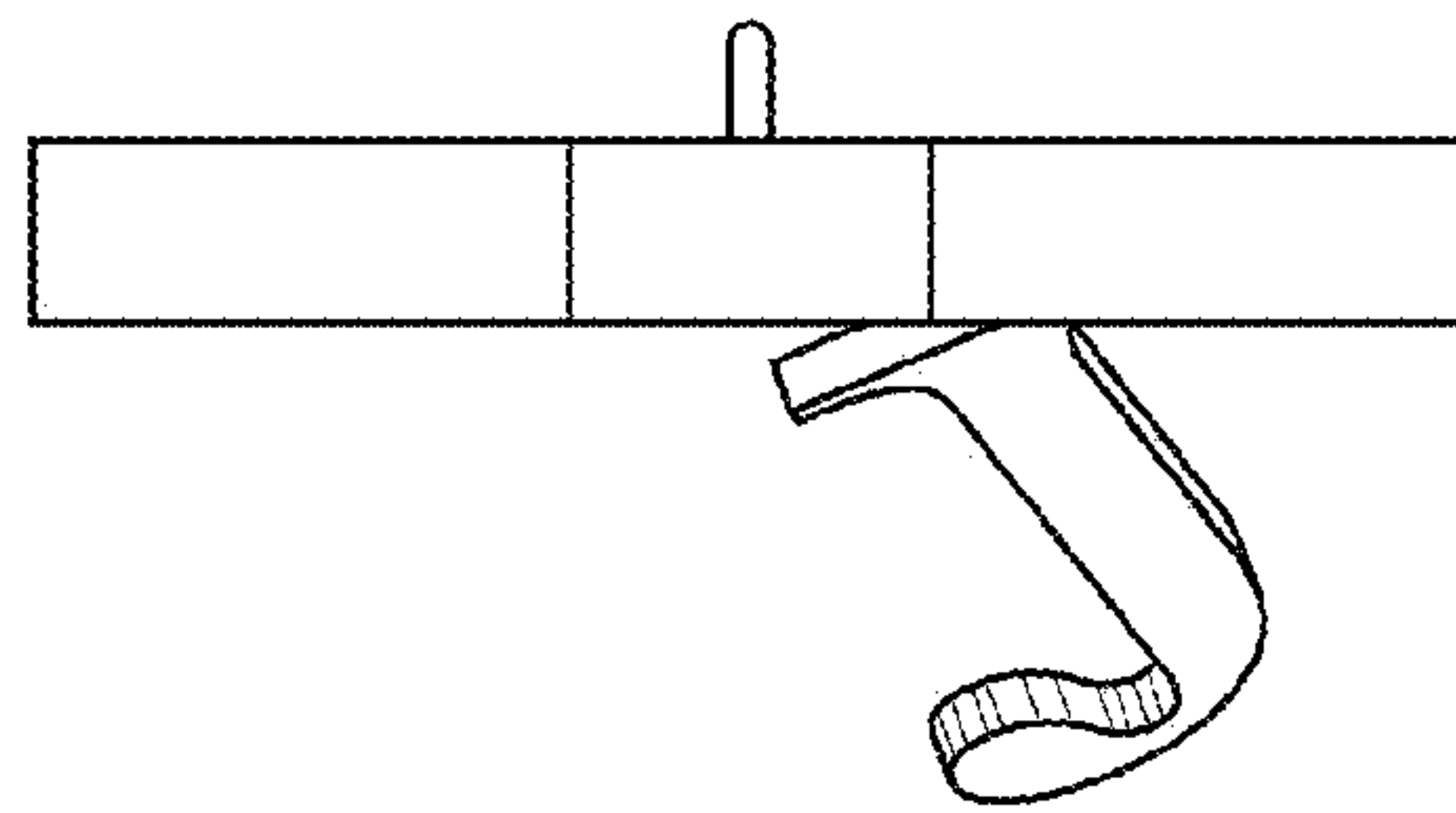


FIG. 69

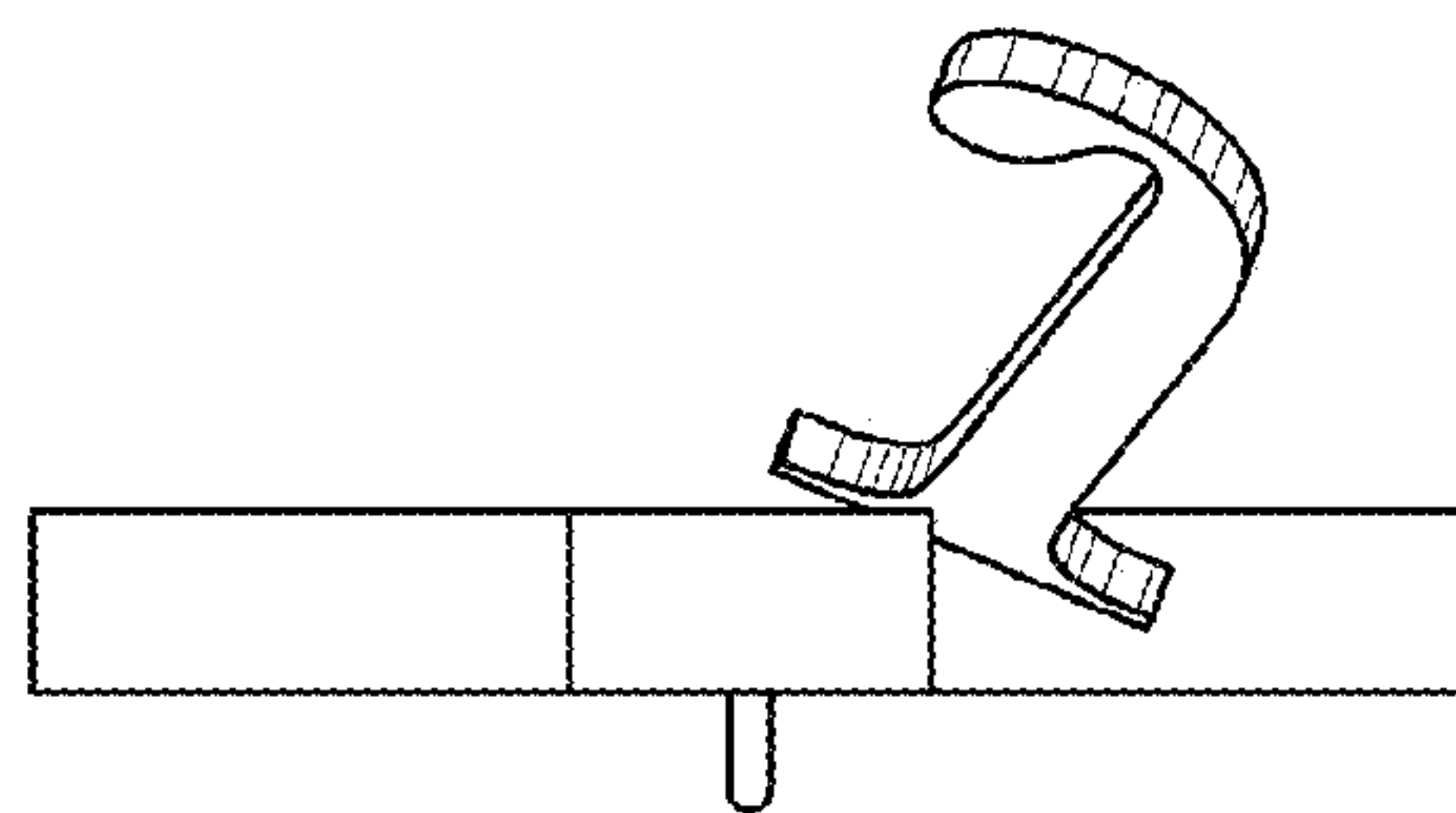


FIG. 70

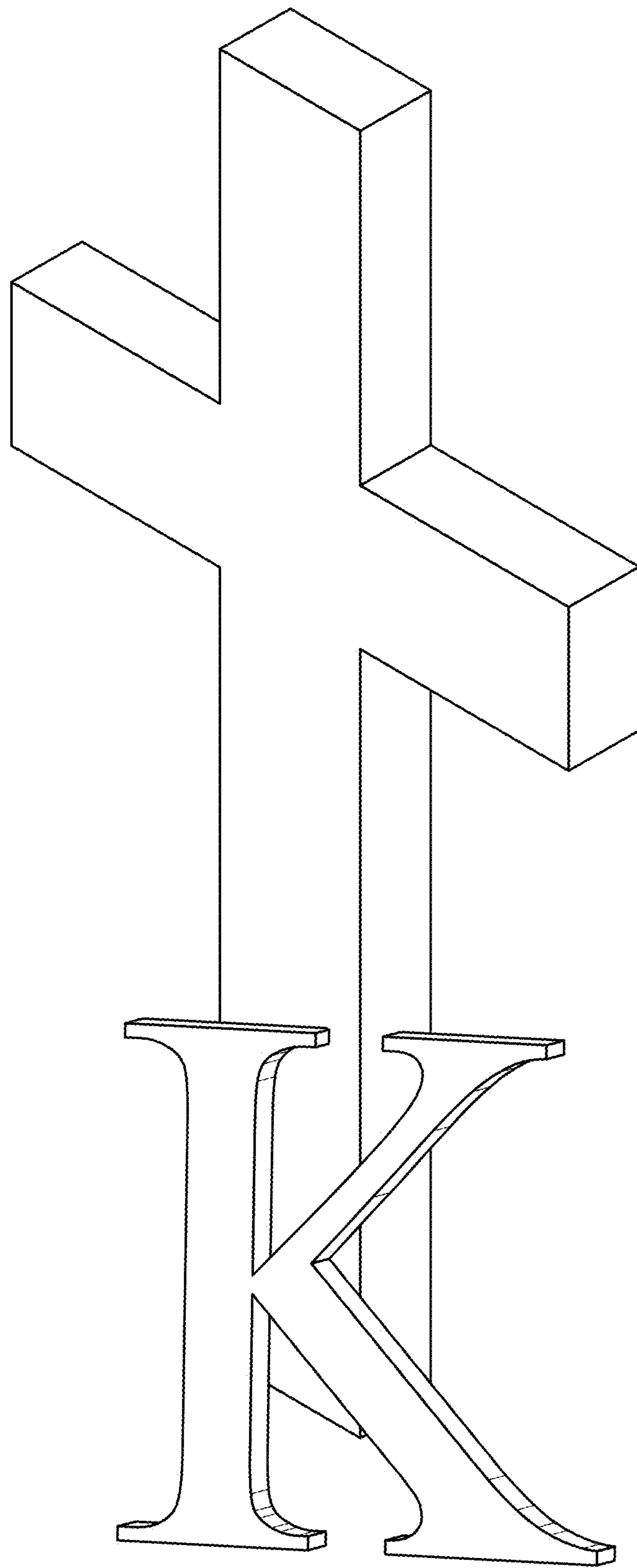


FIG. 71

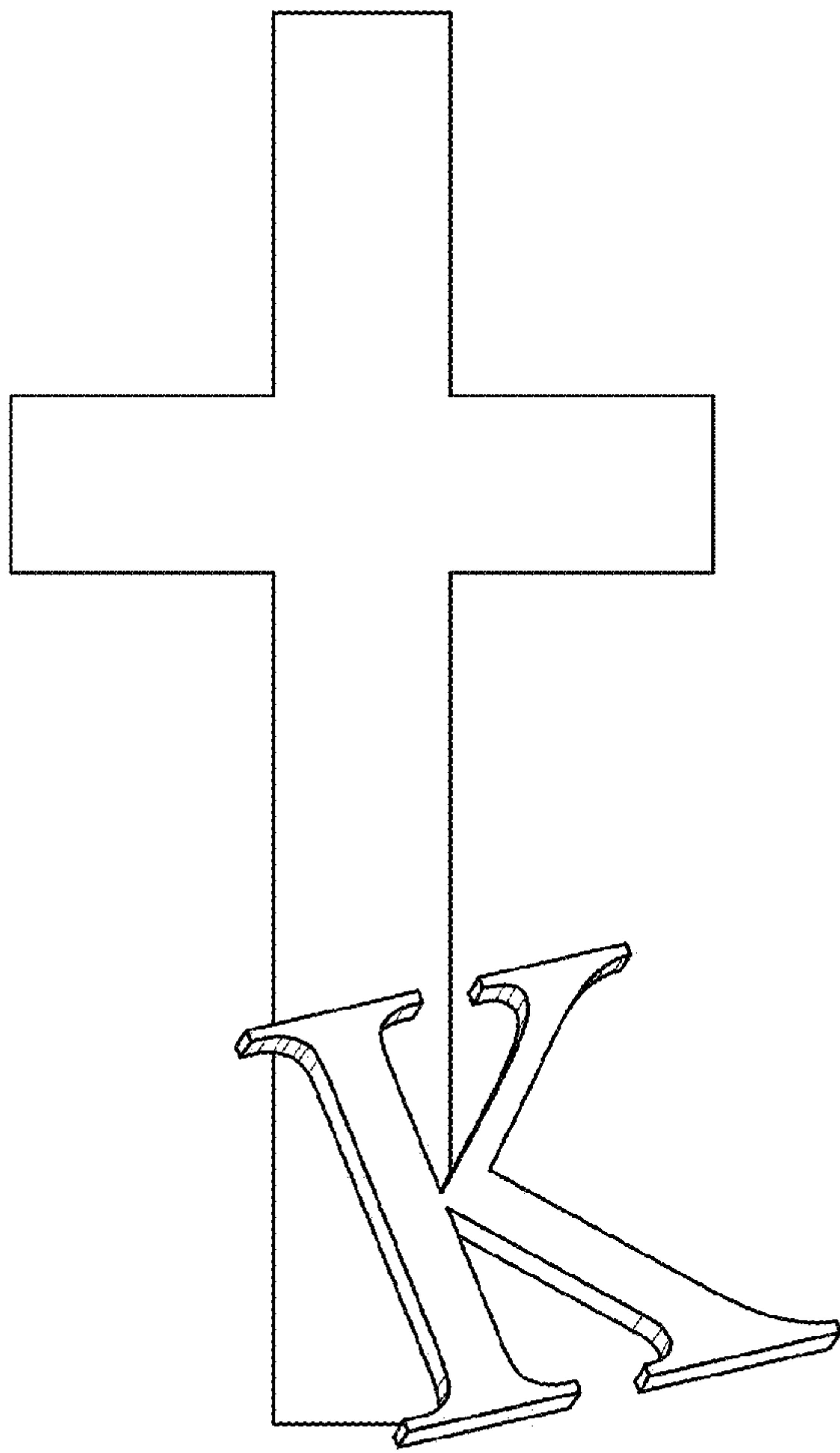


FIG. 72

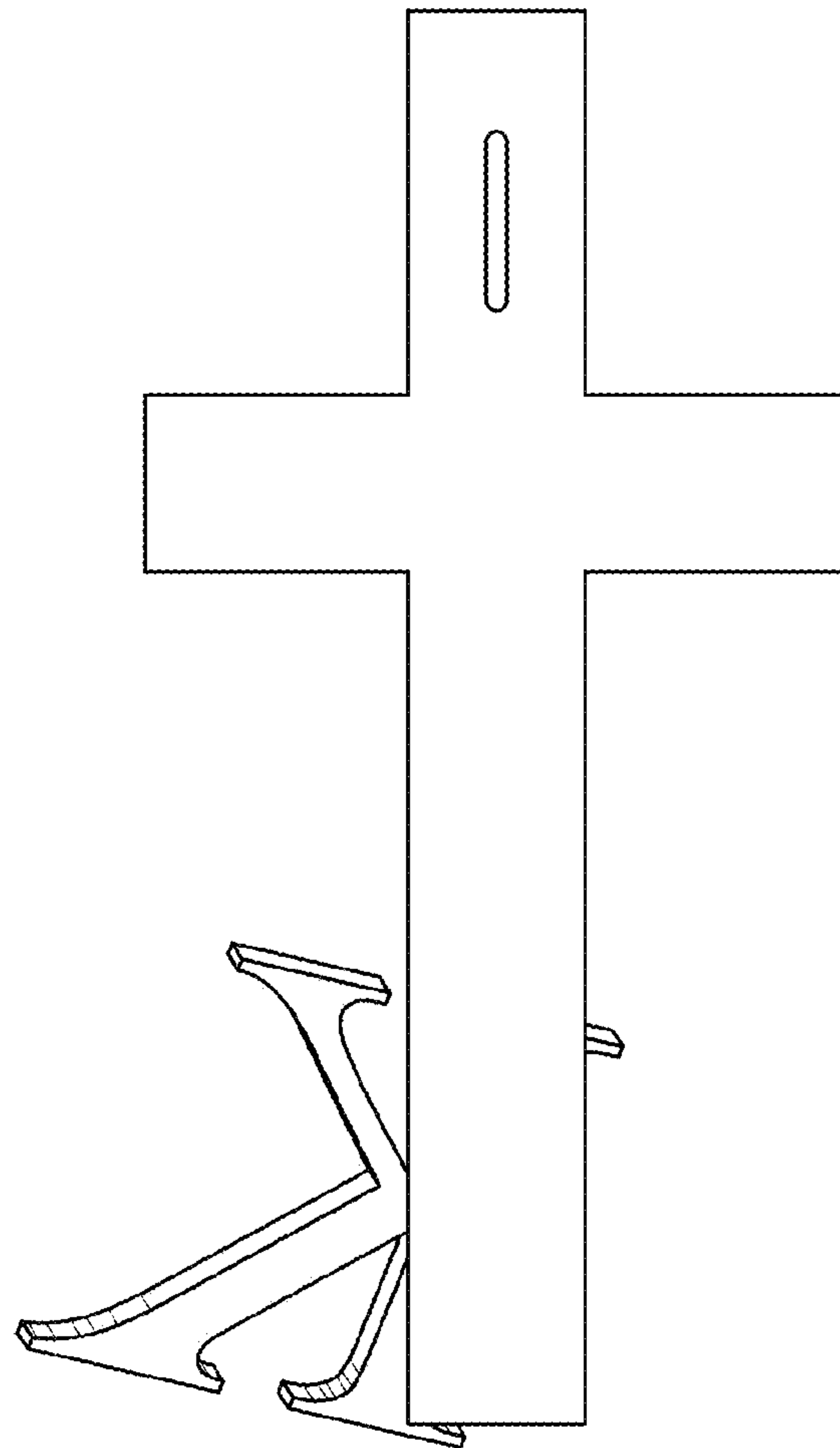


FIG. 73

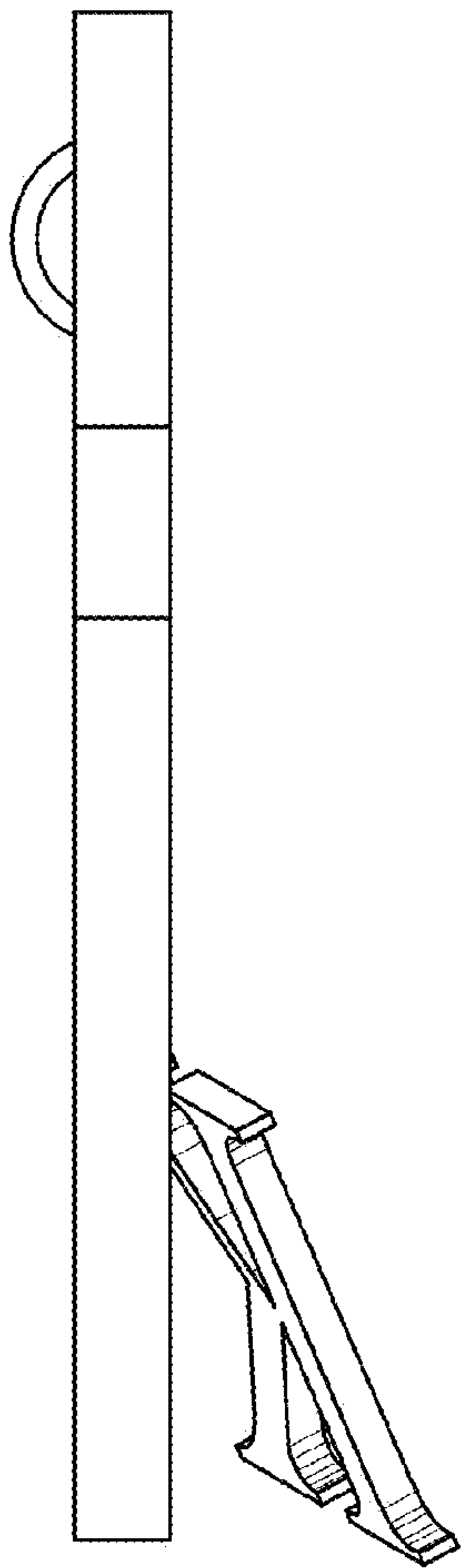


FIG. 74

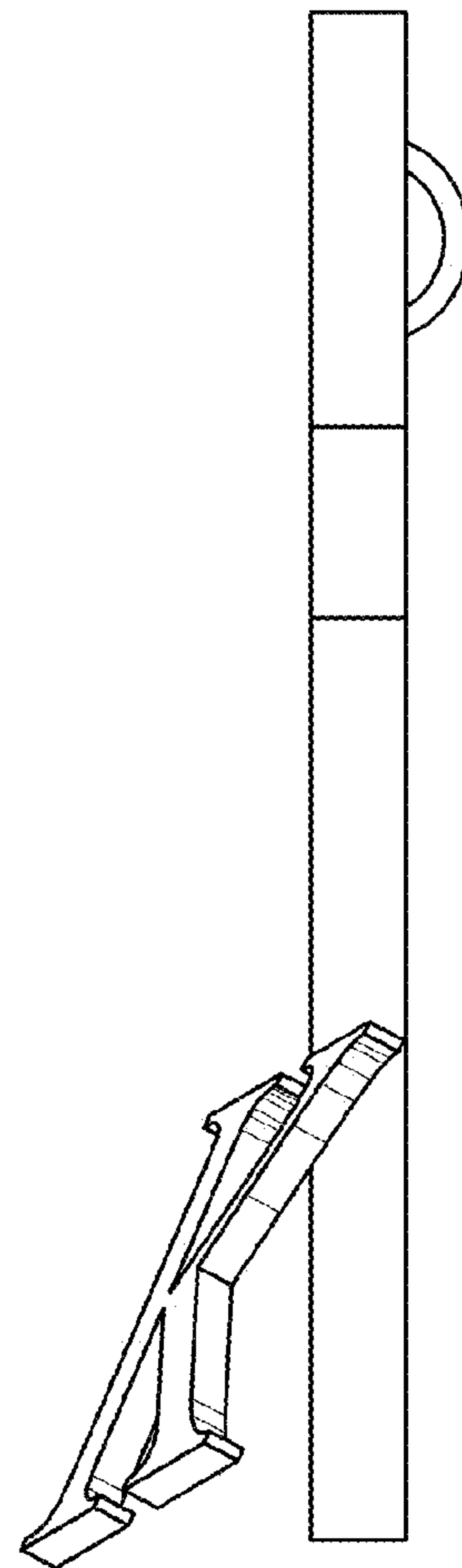


FIG. 75

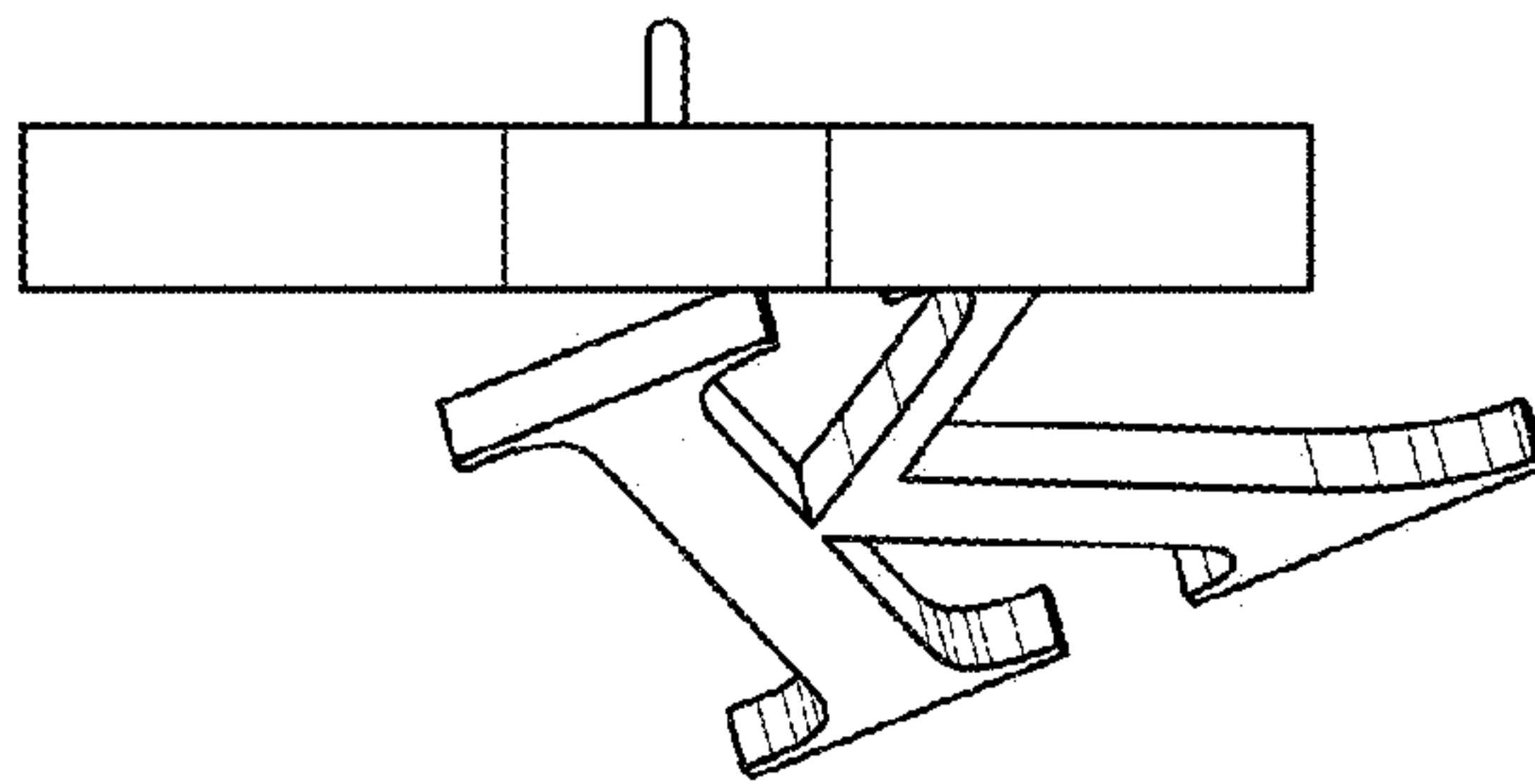


FIG. 76

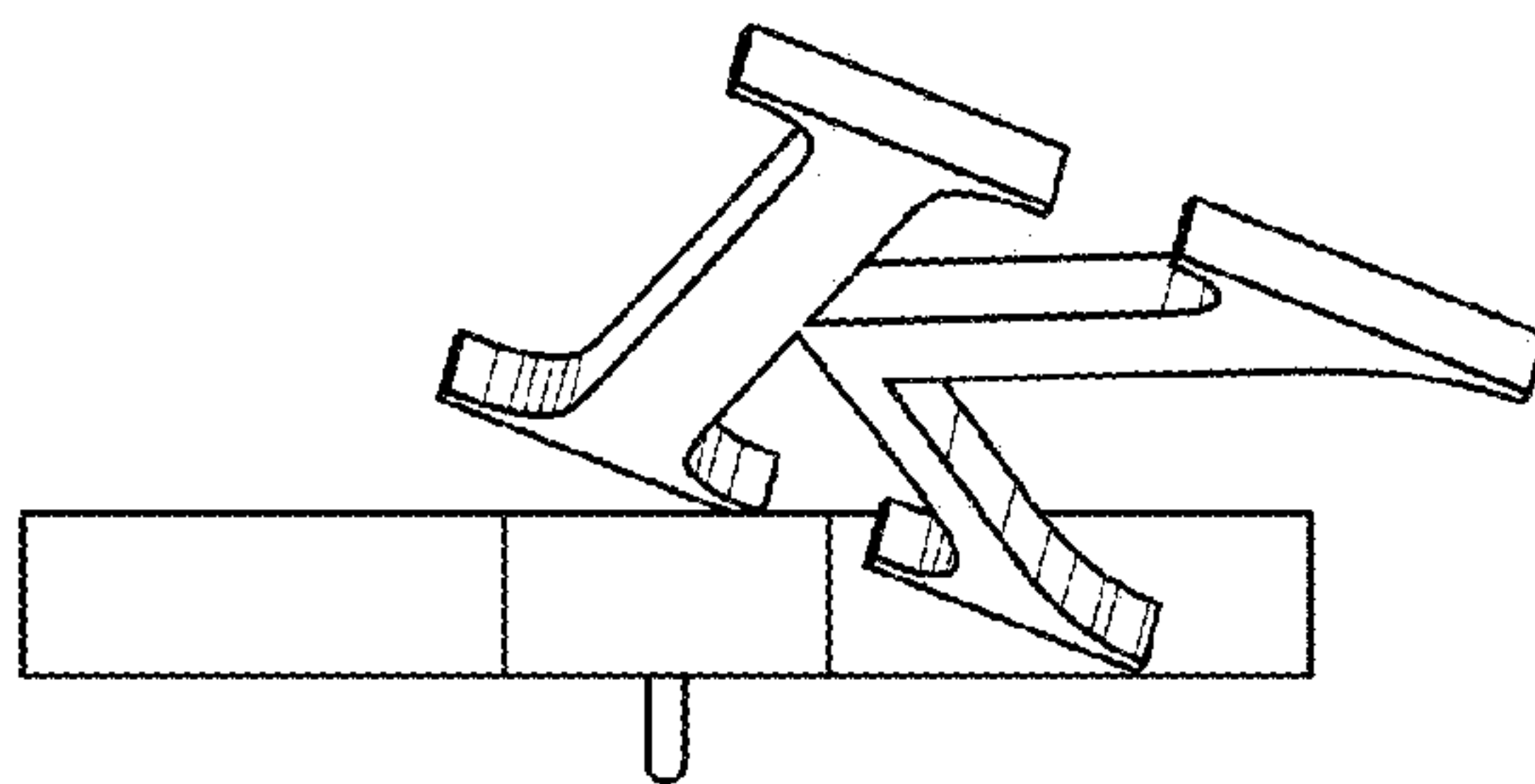


FIG. 77

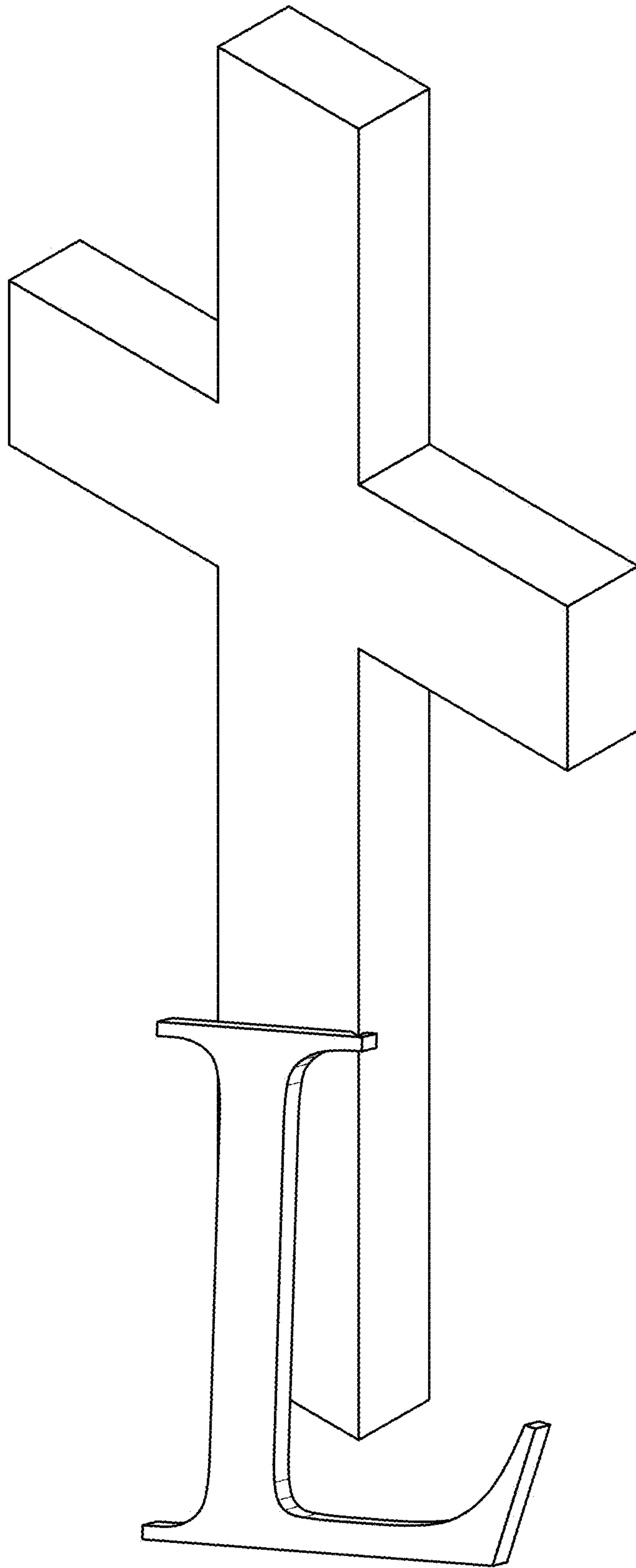


FIG. 78

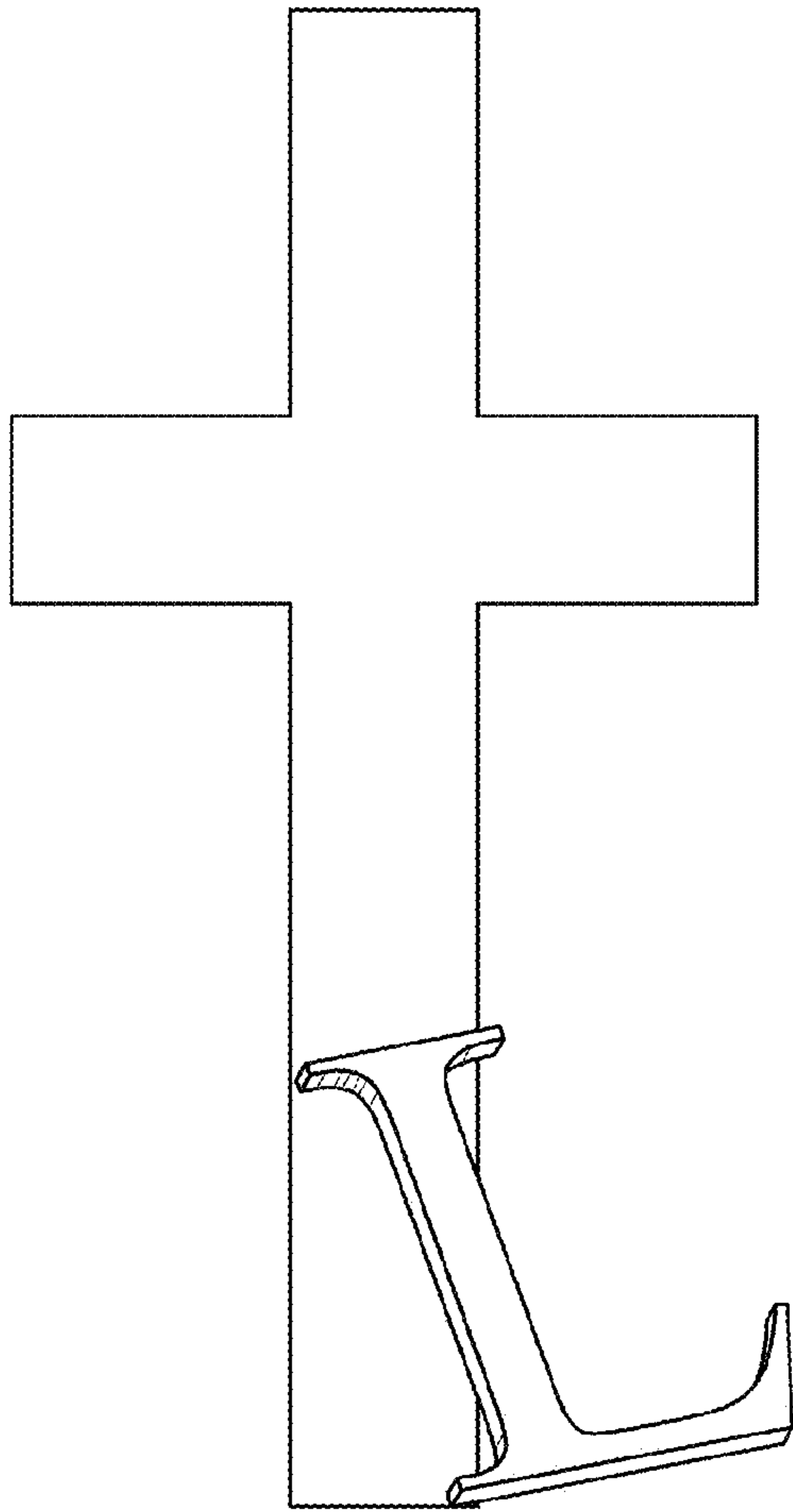


FIG. 79

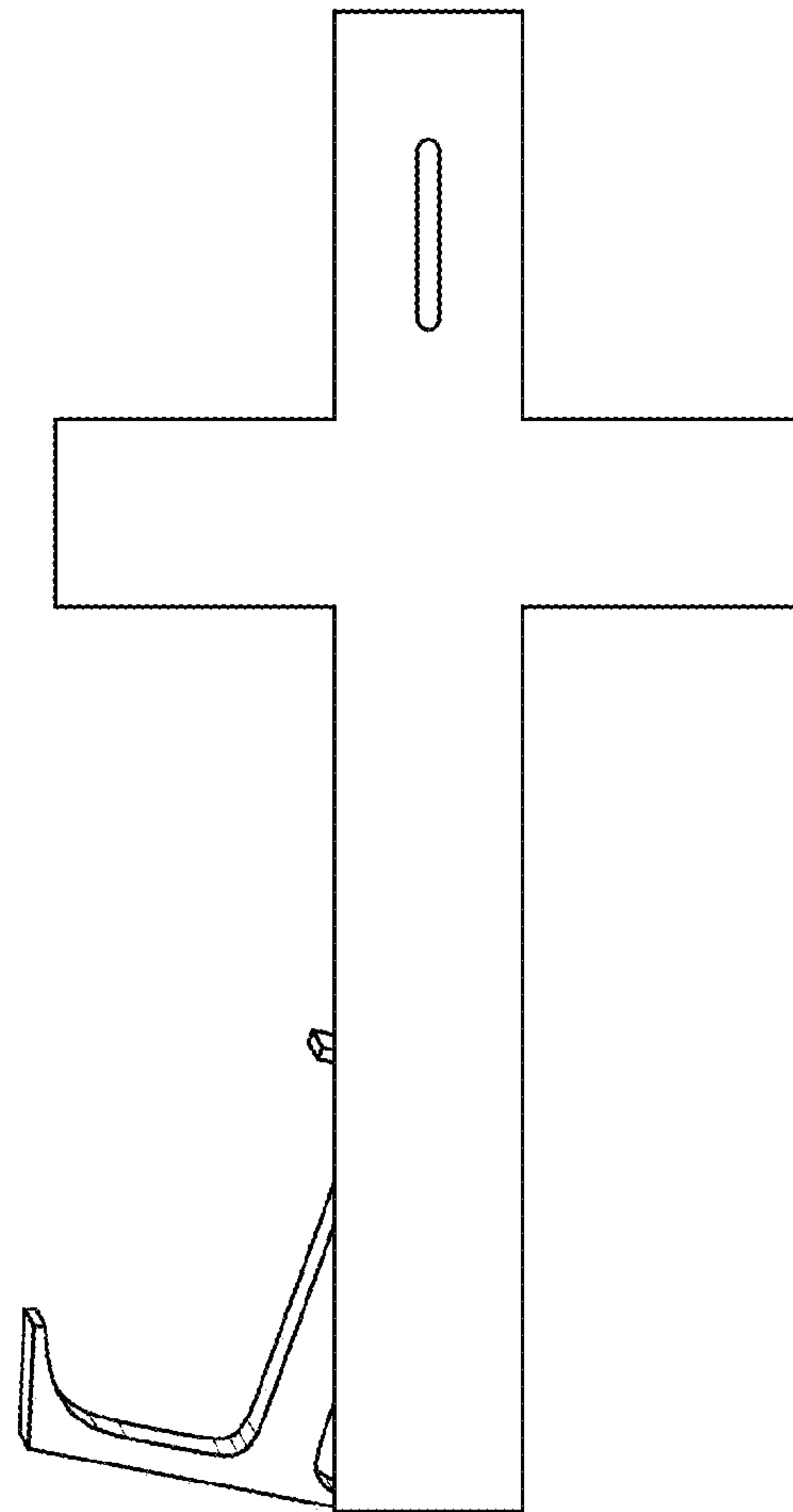


FIG. 80

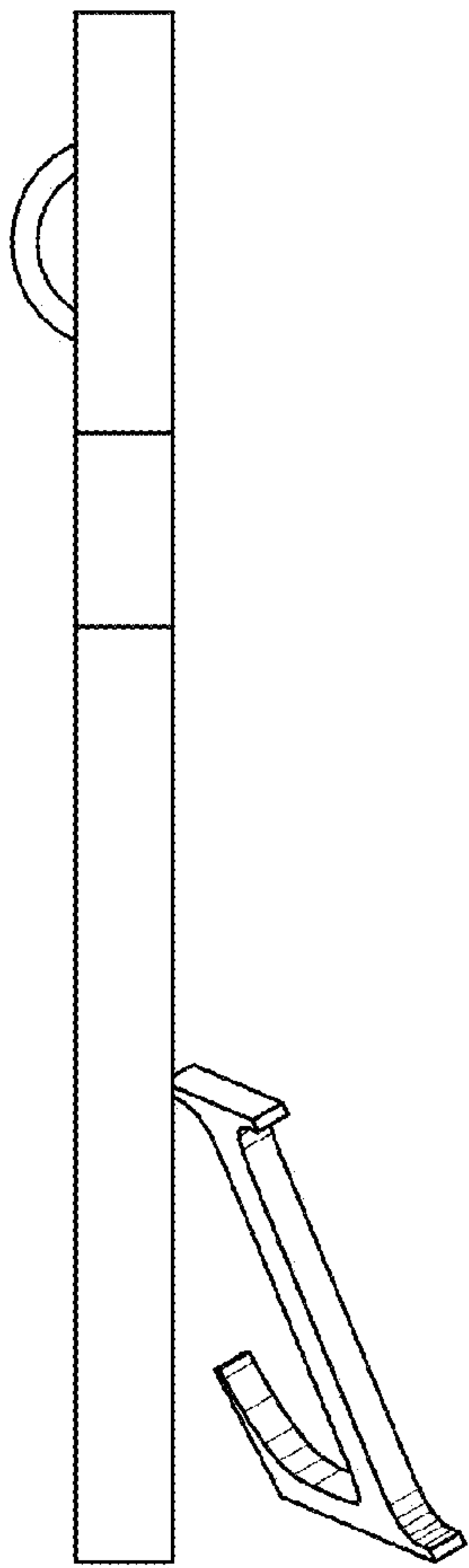


FIG. 81

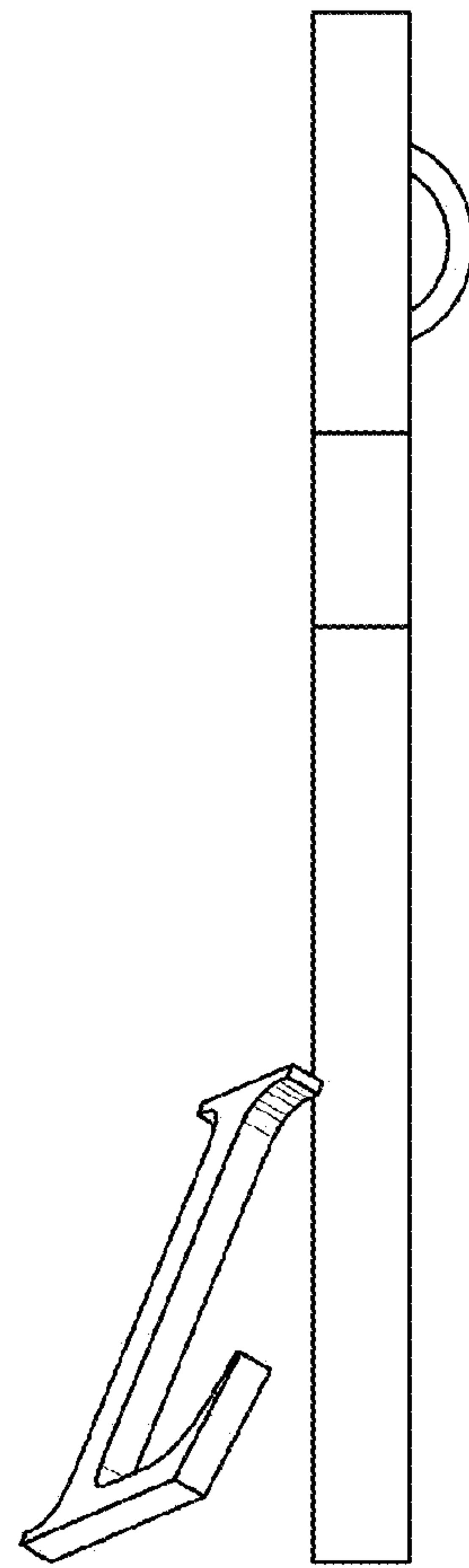


FIG. 82

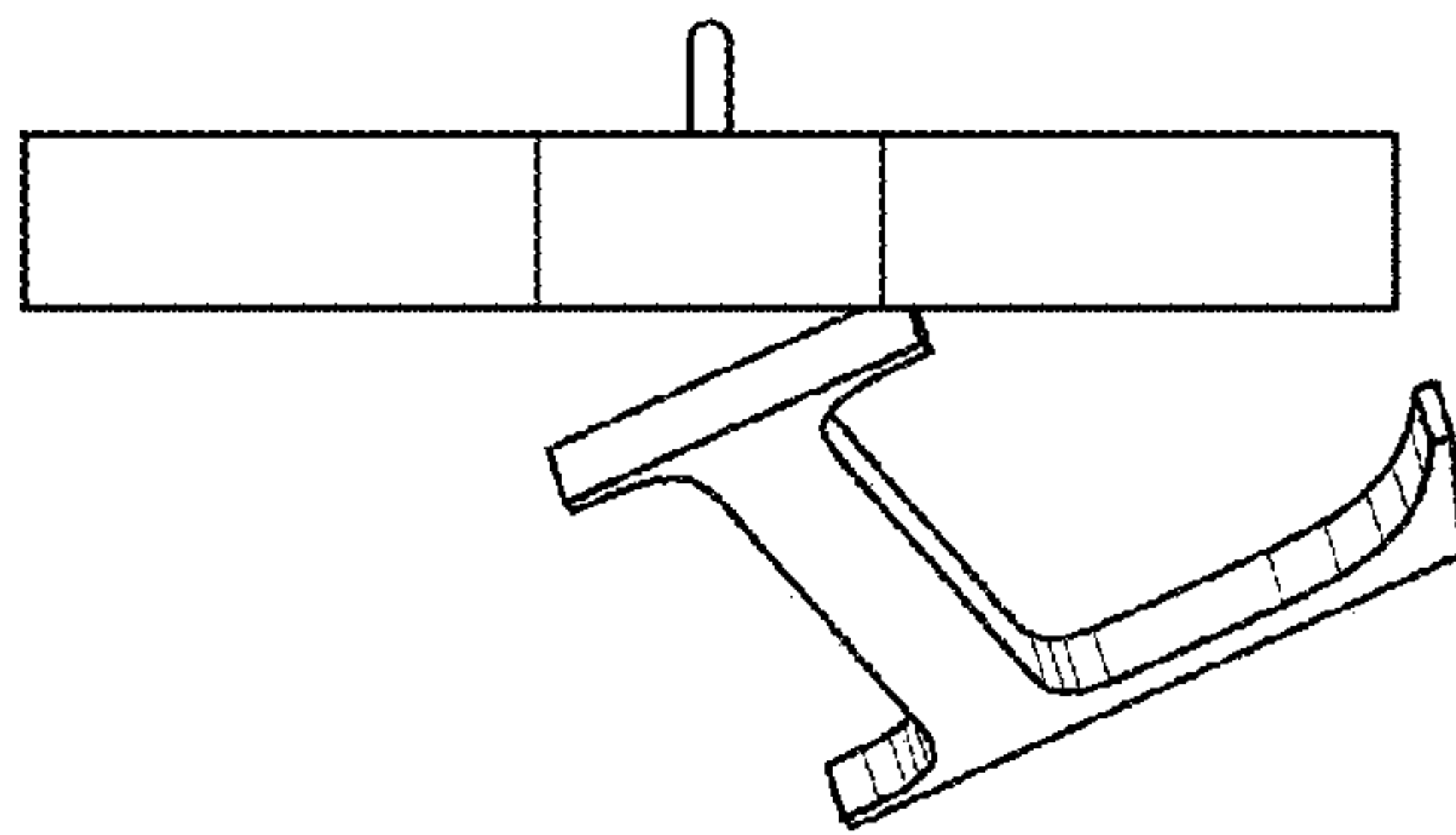


FIG. 83

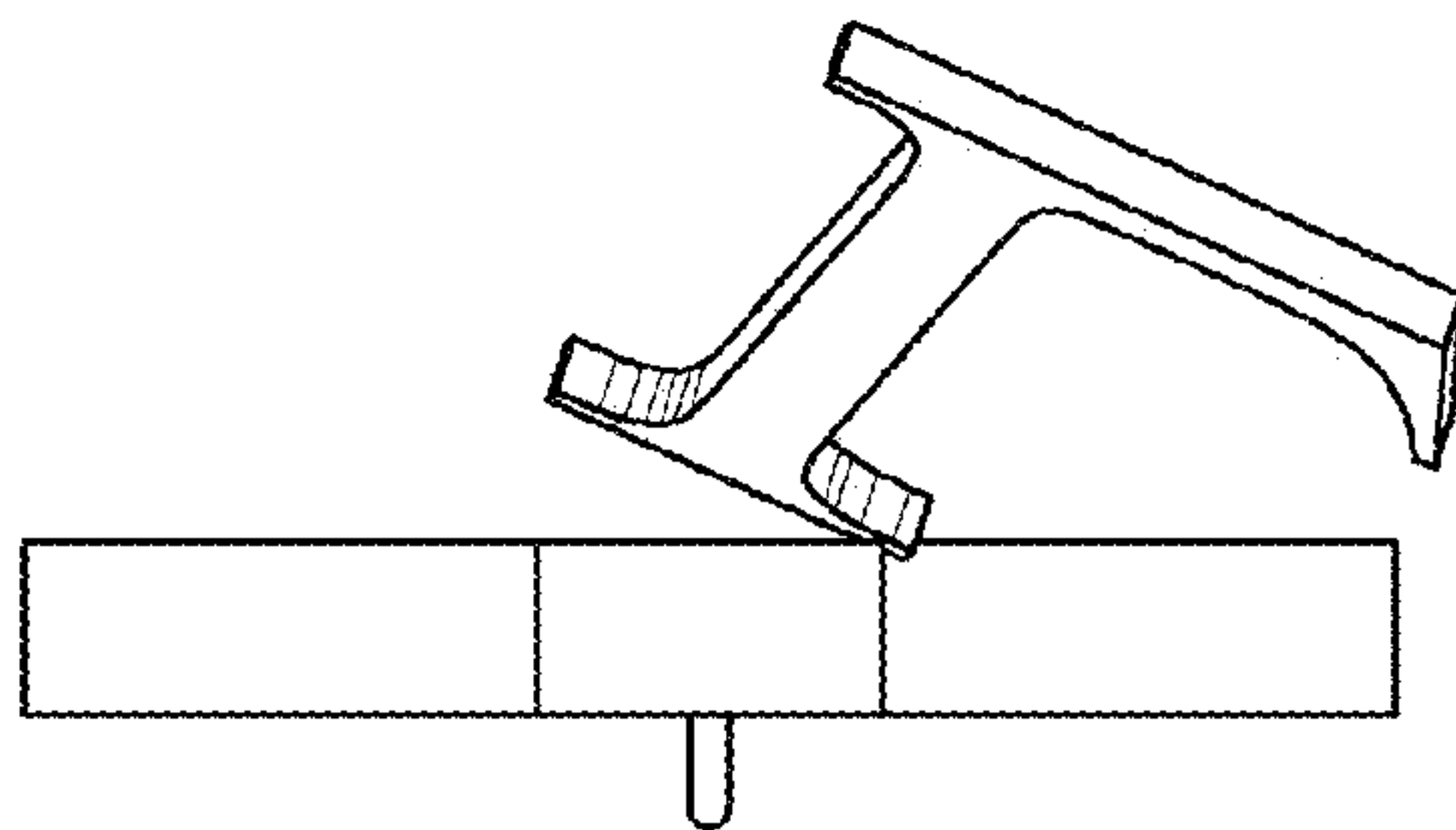


FIG. 84

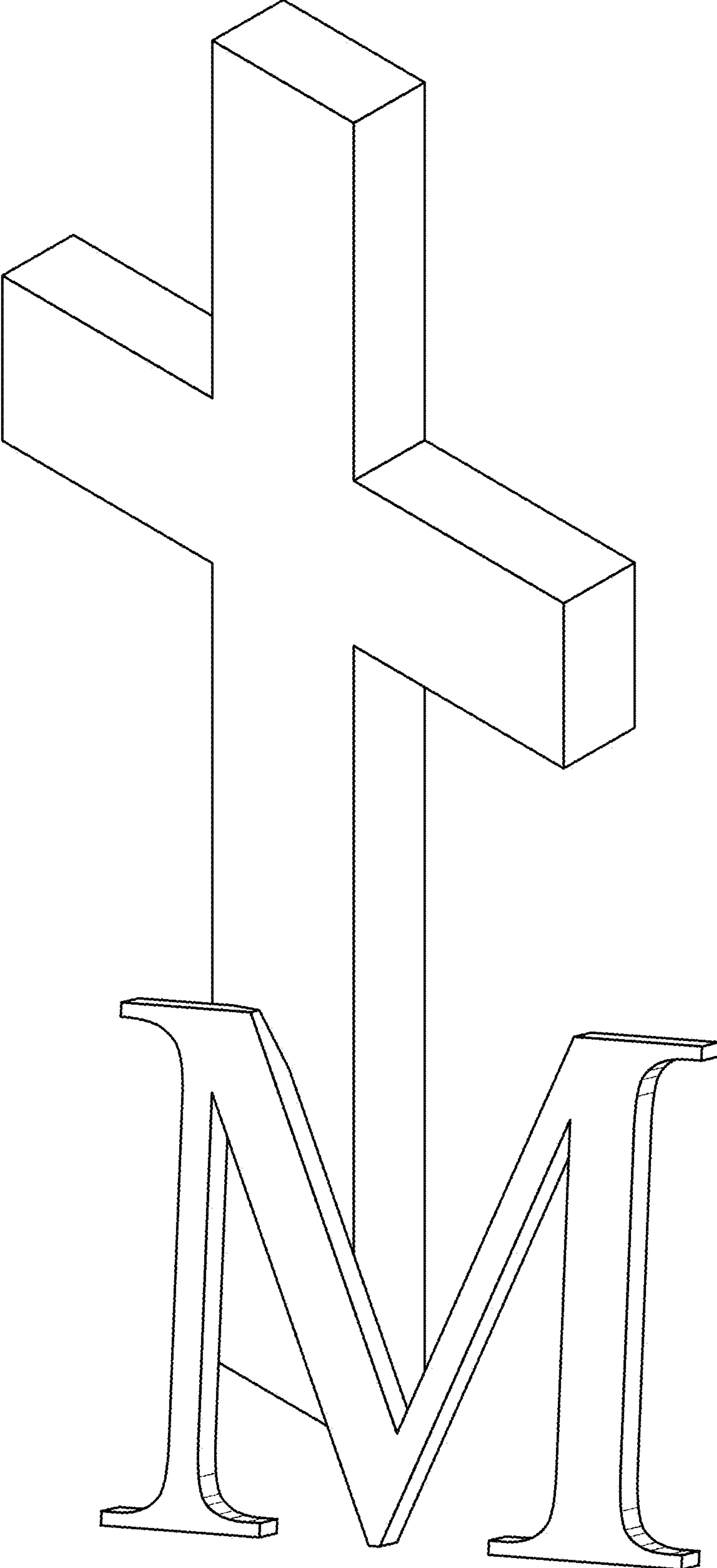


FIG. 85

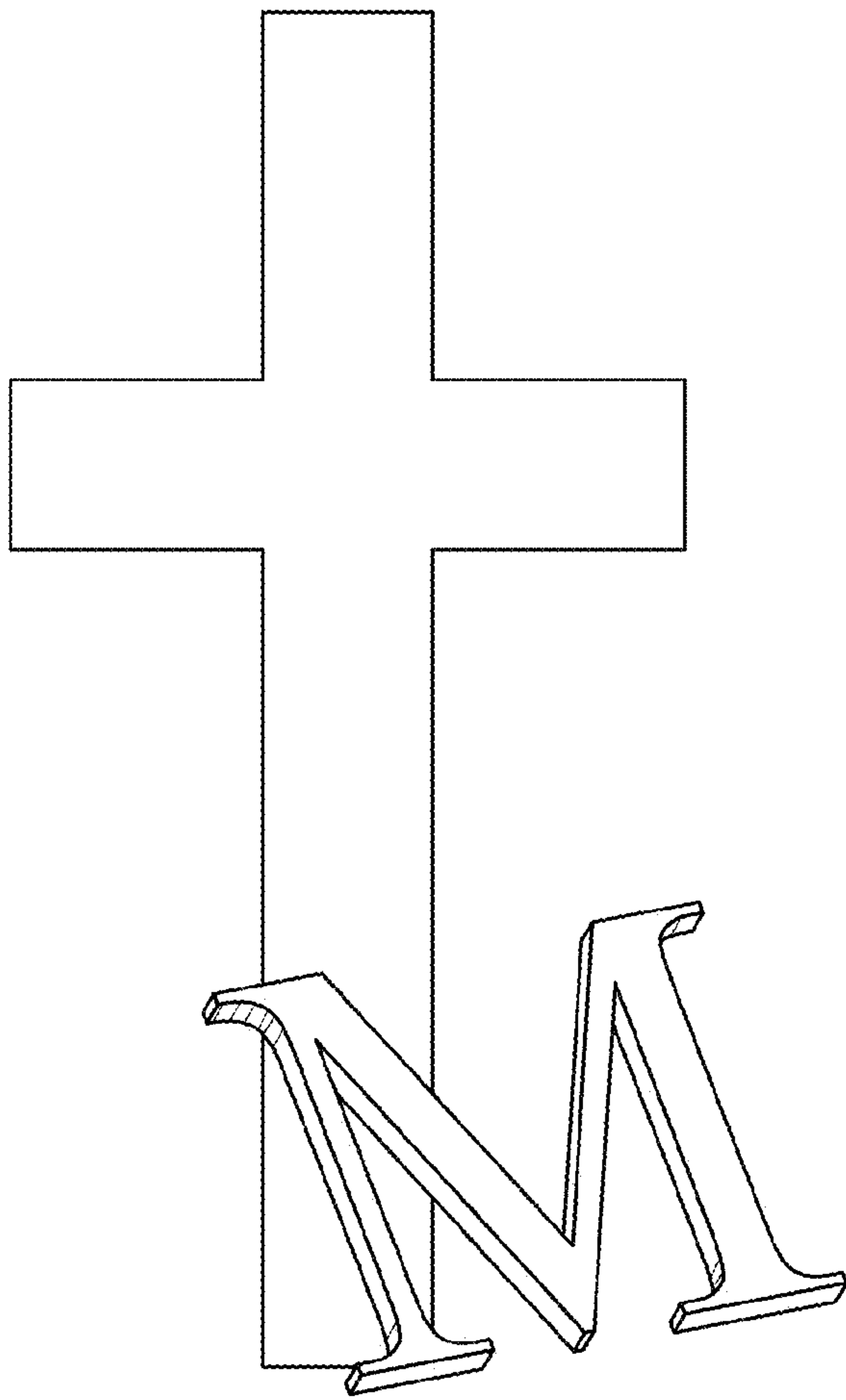


FIG. 86

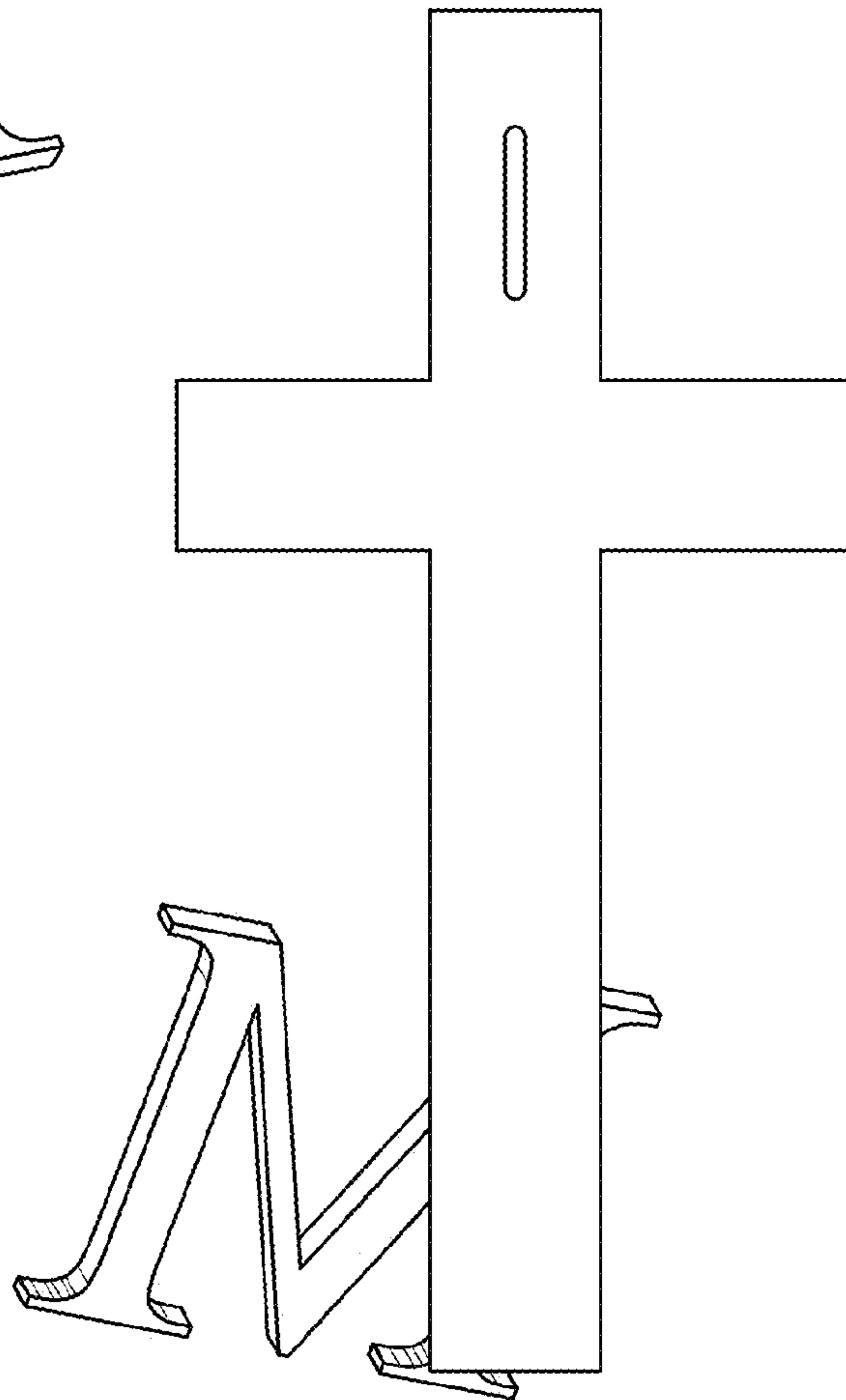


FIG. 87

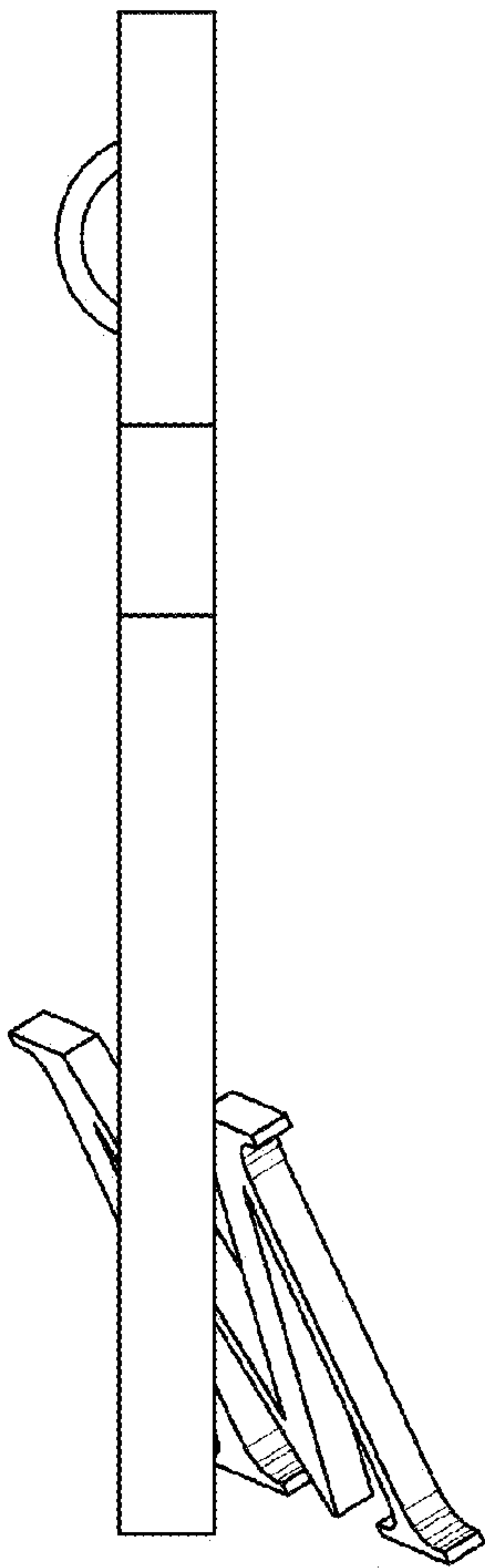


FIG. 88

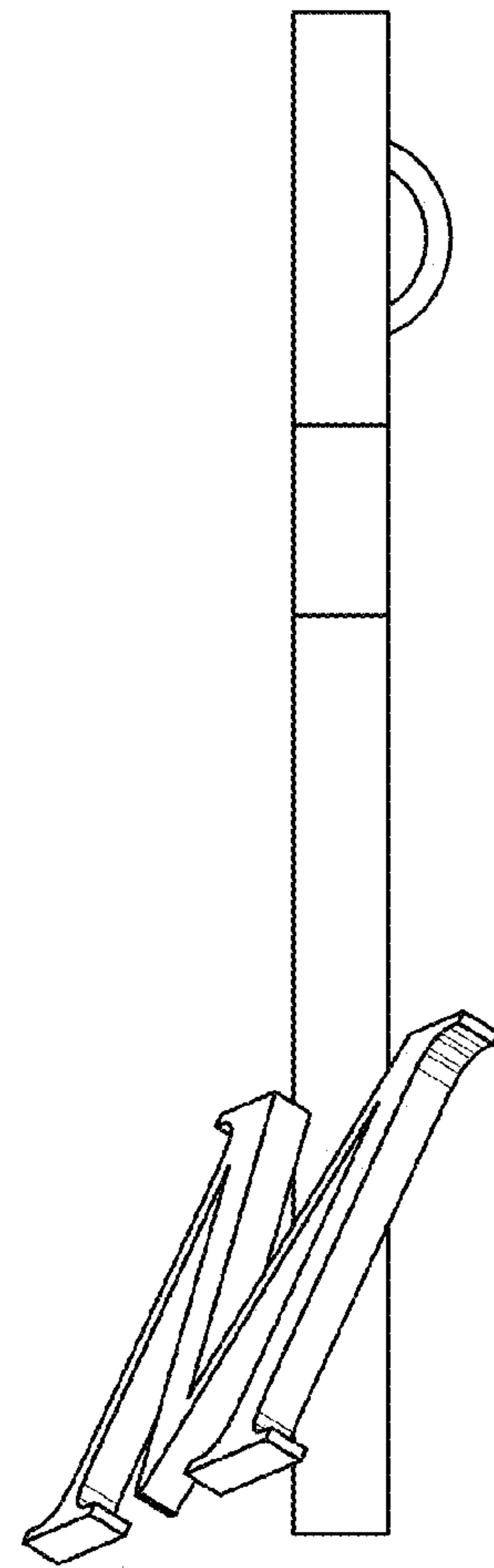


FIG. 89

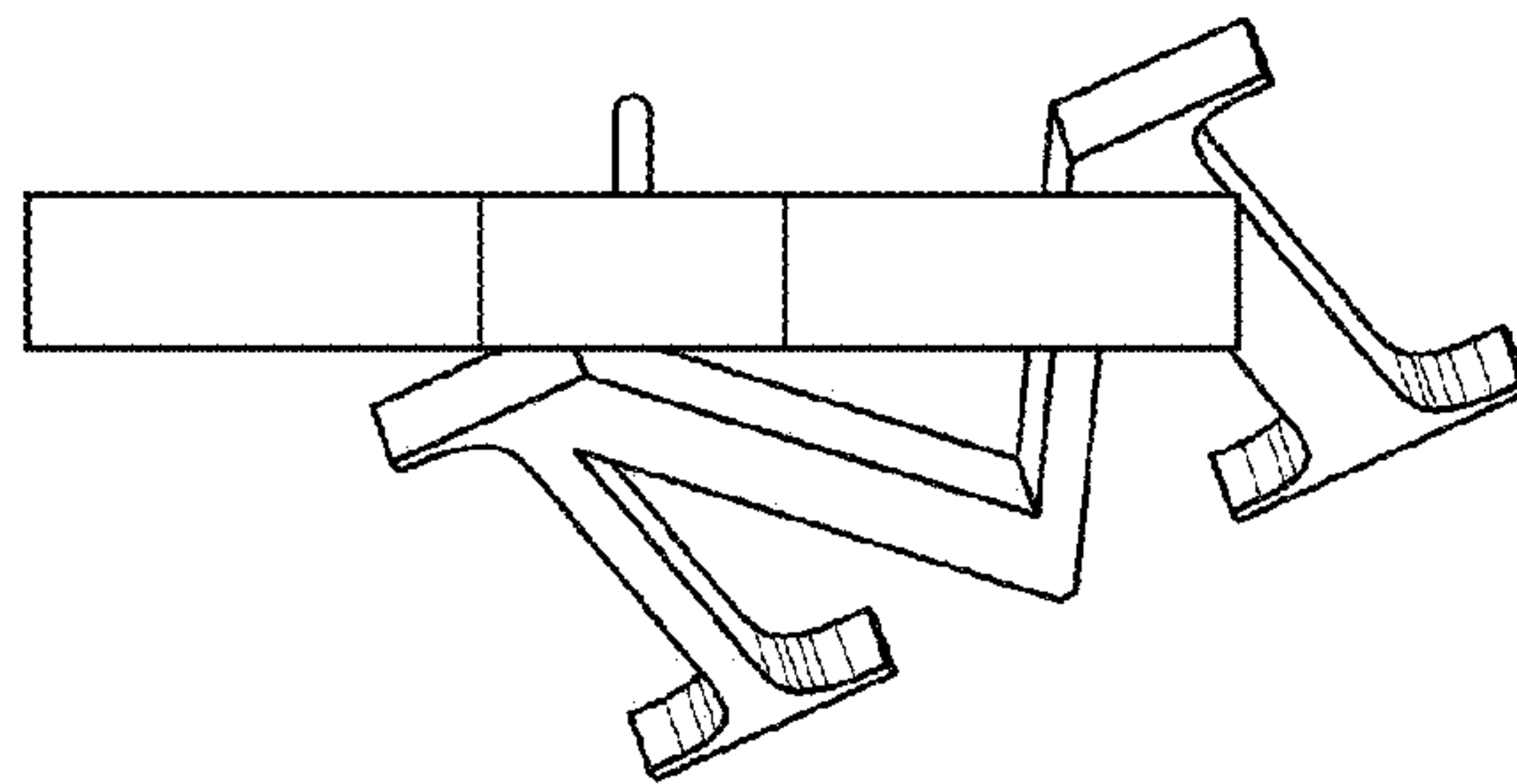


FIG. 90

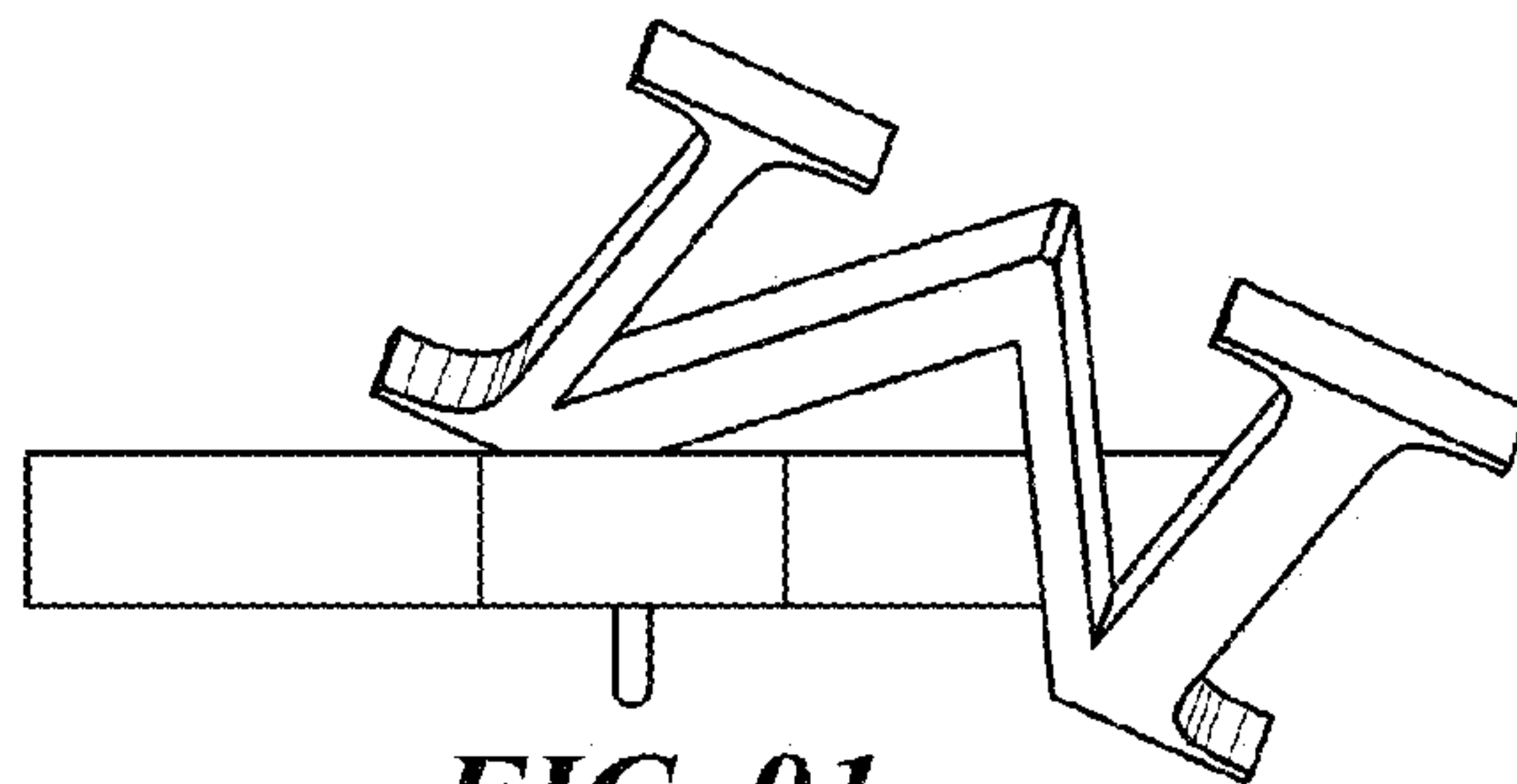


FIG. 91

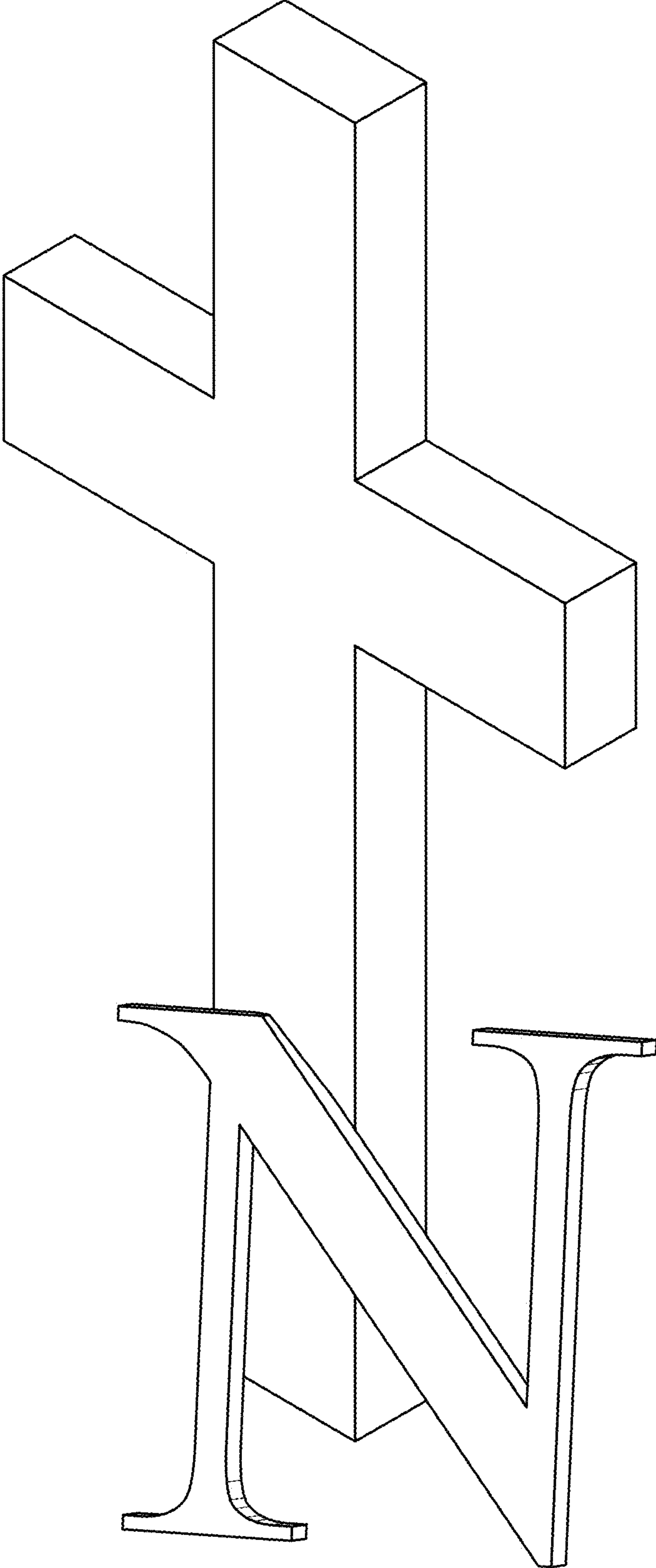


FIG. 92

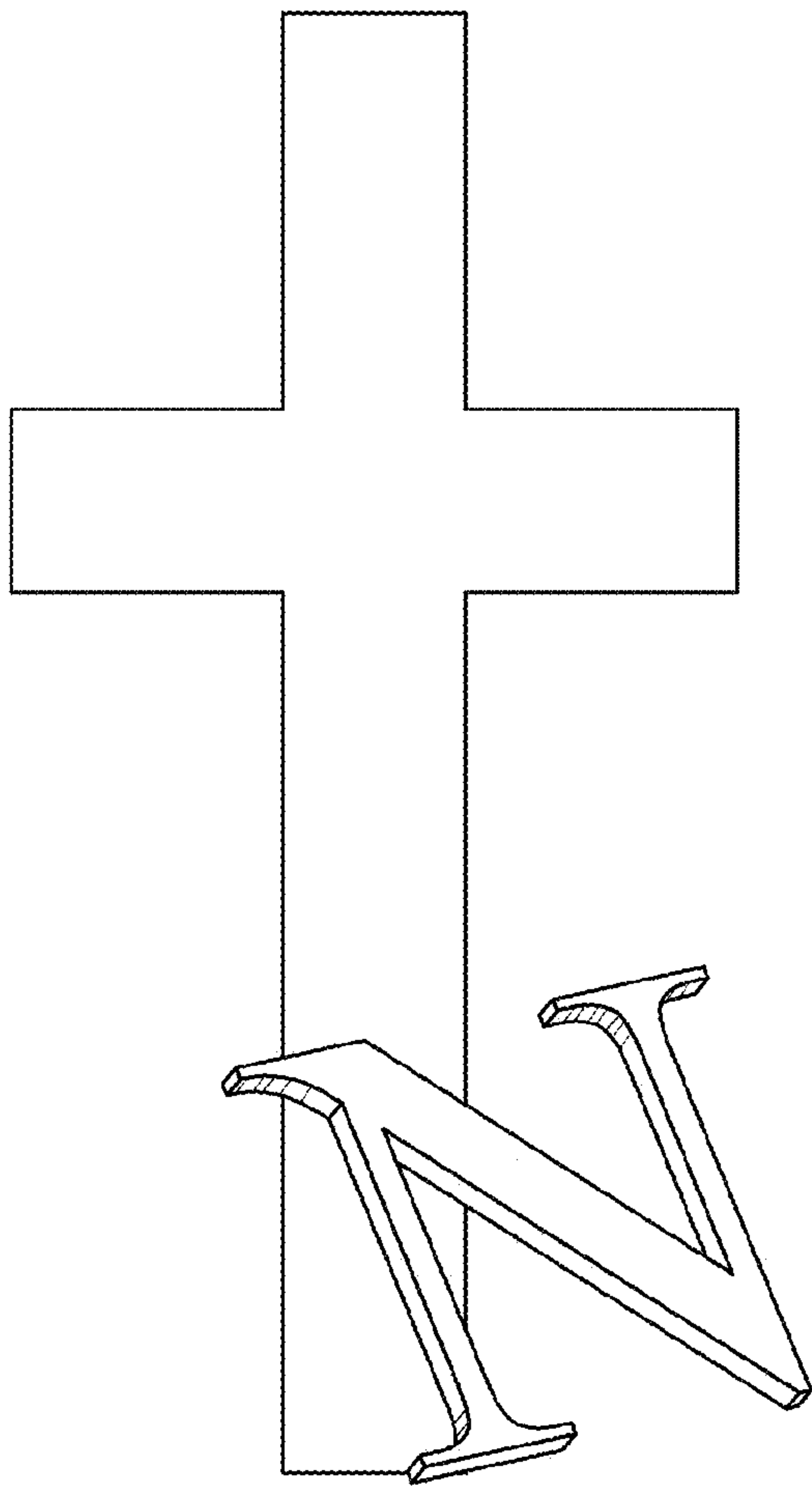


FIG. 93

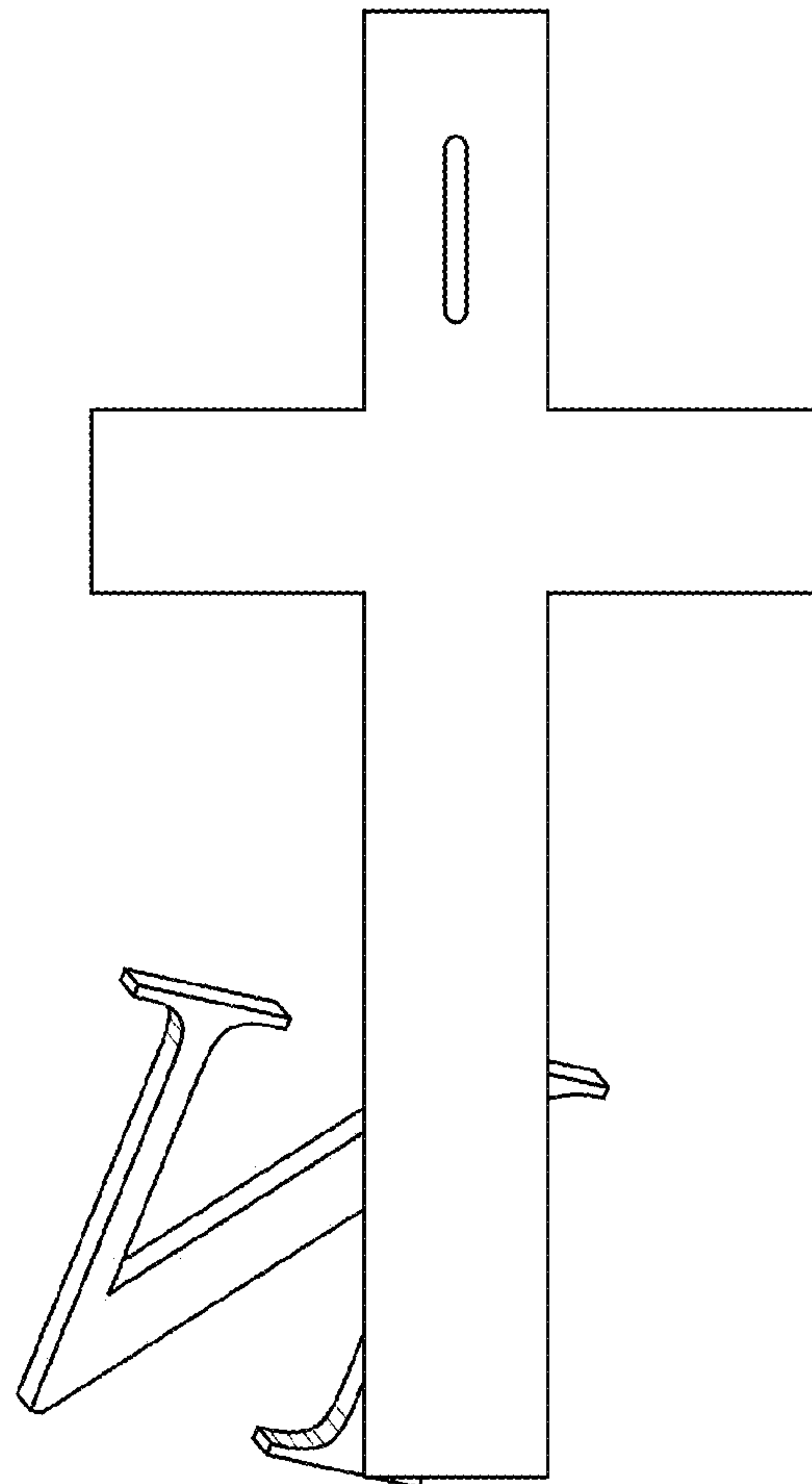


FIG. 94

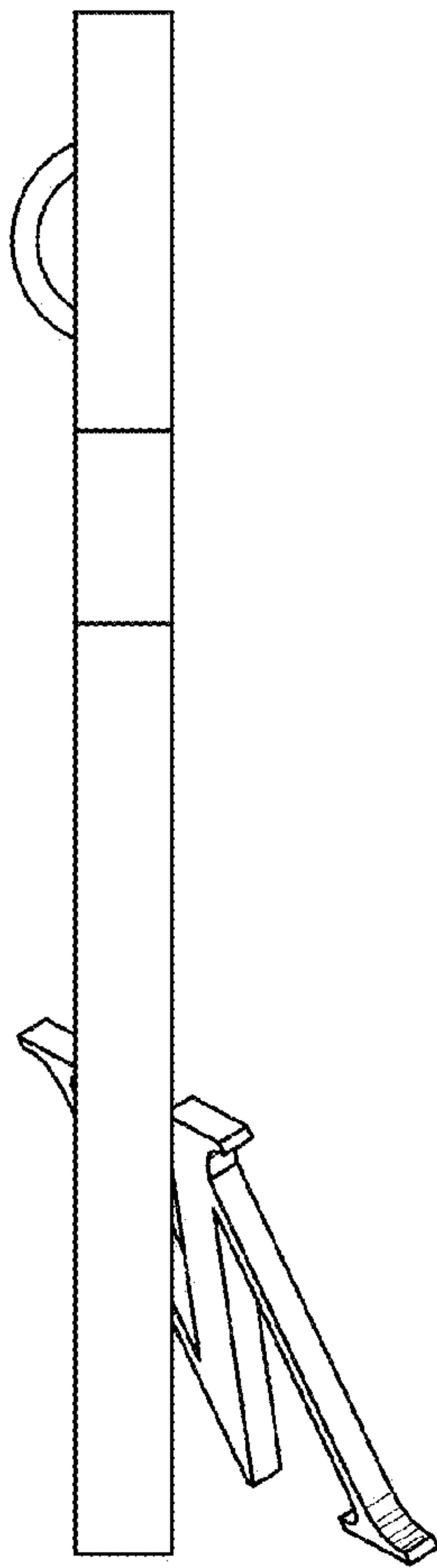


FIG. 95

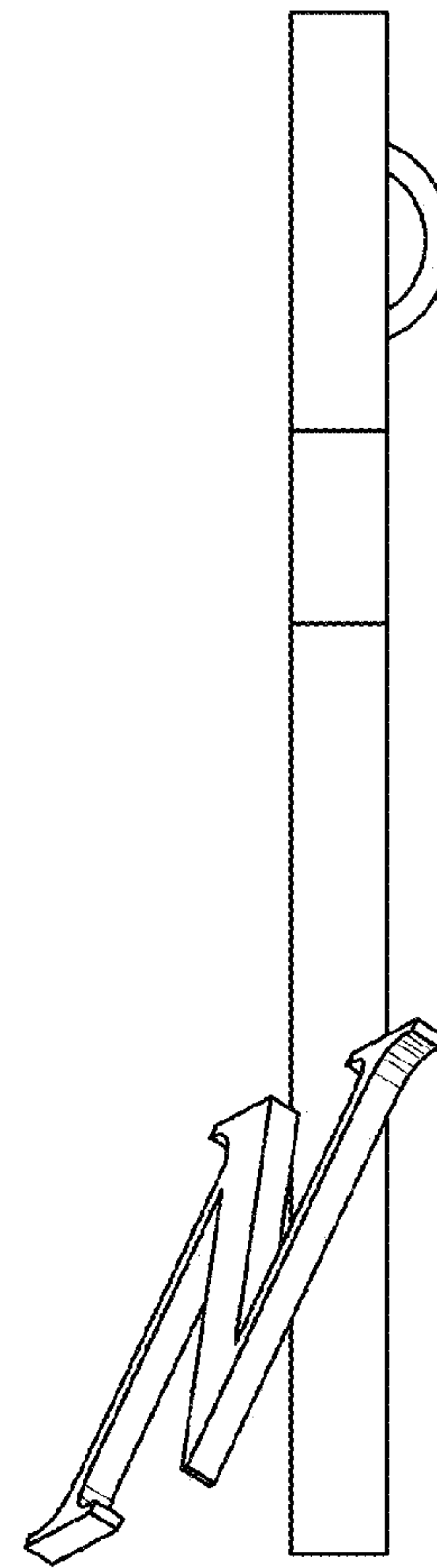


FIG. 96

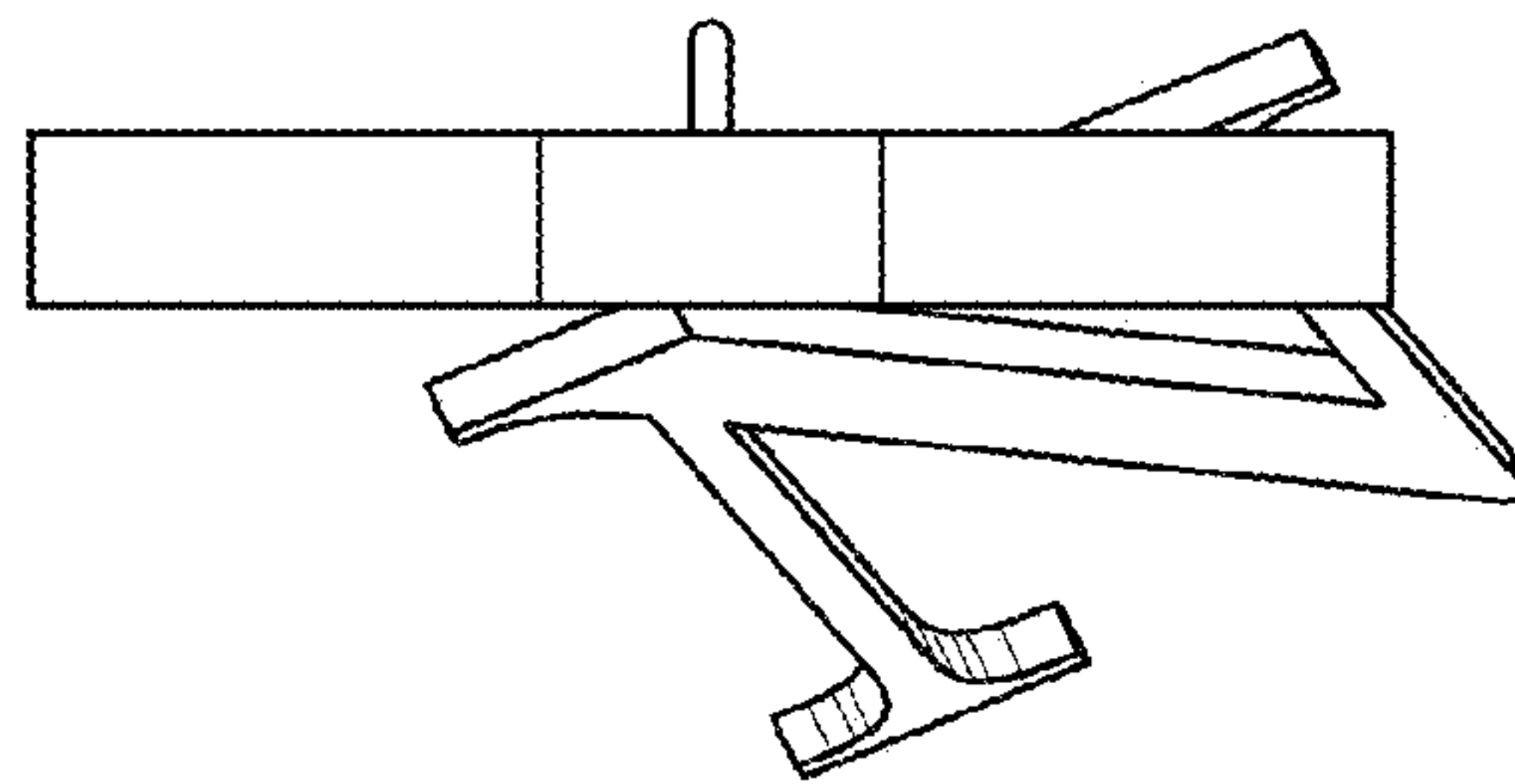


FIG. 97

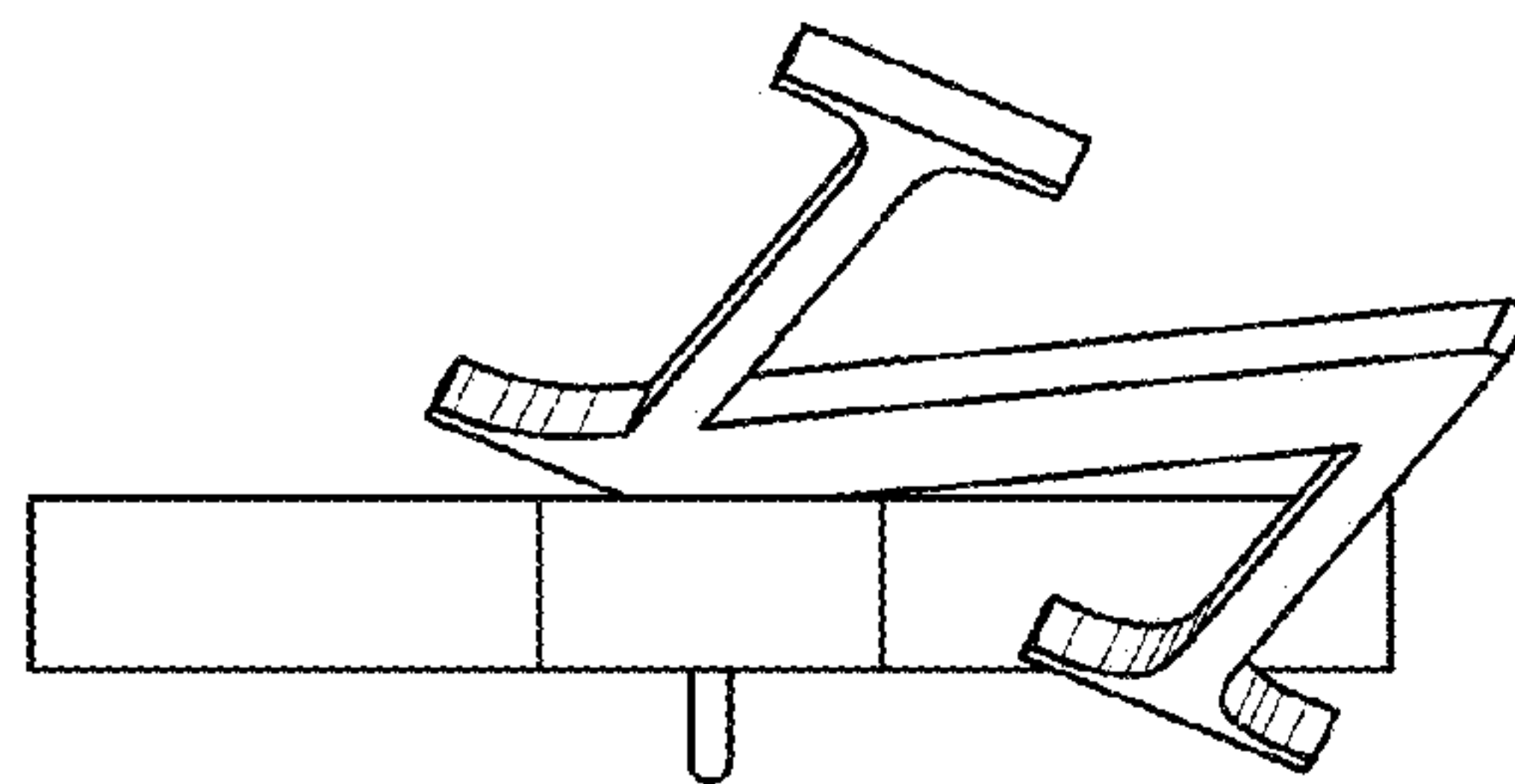


FIG. 98

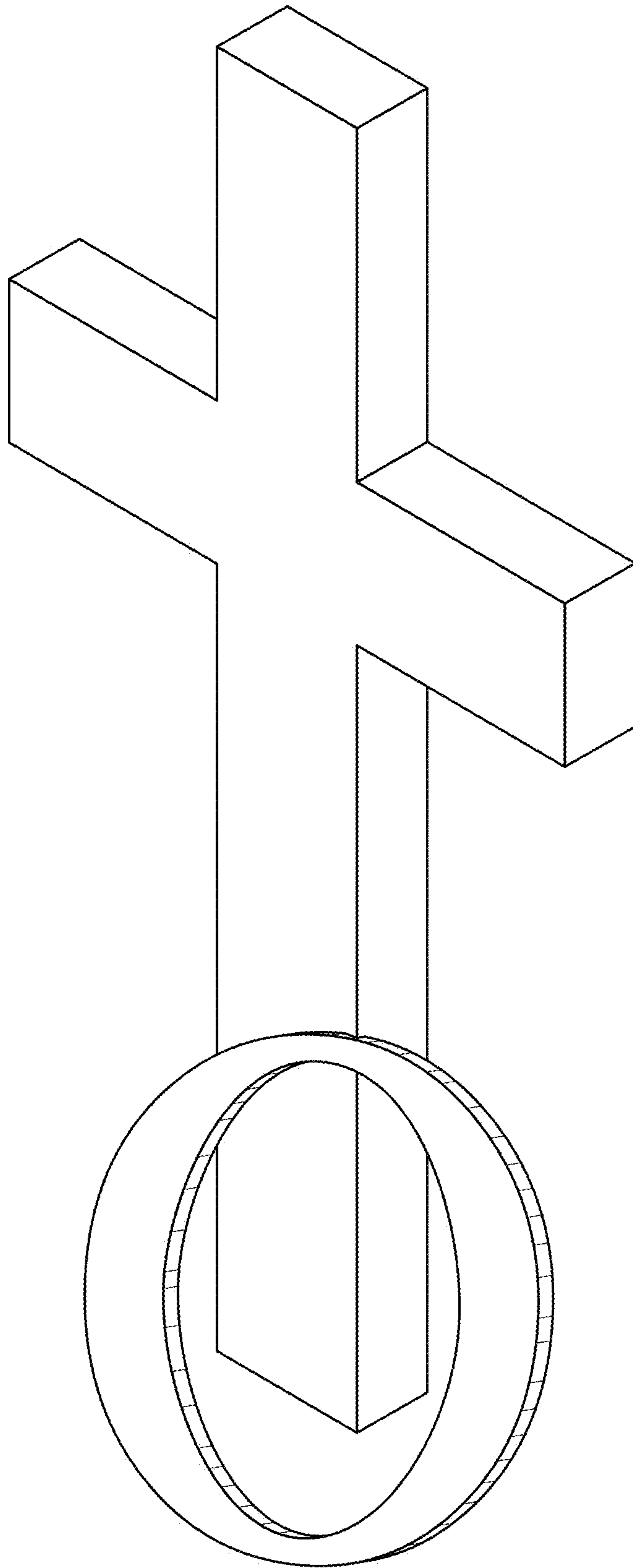


FIG. 99

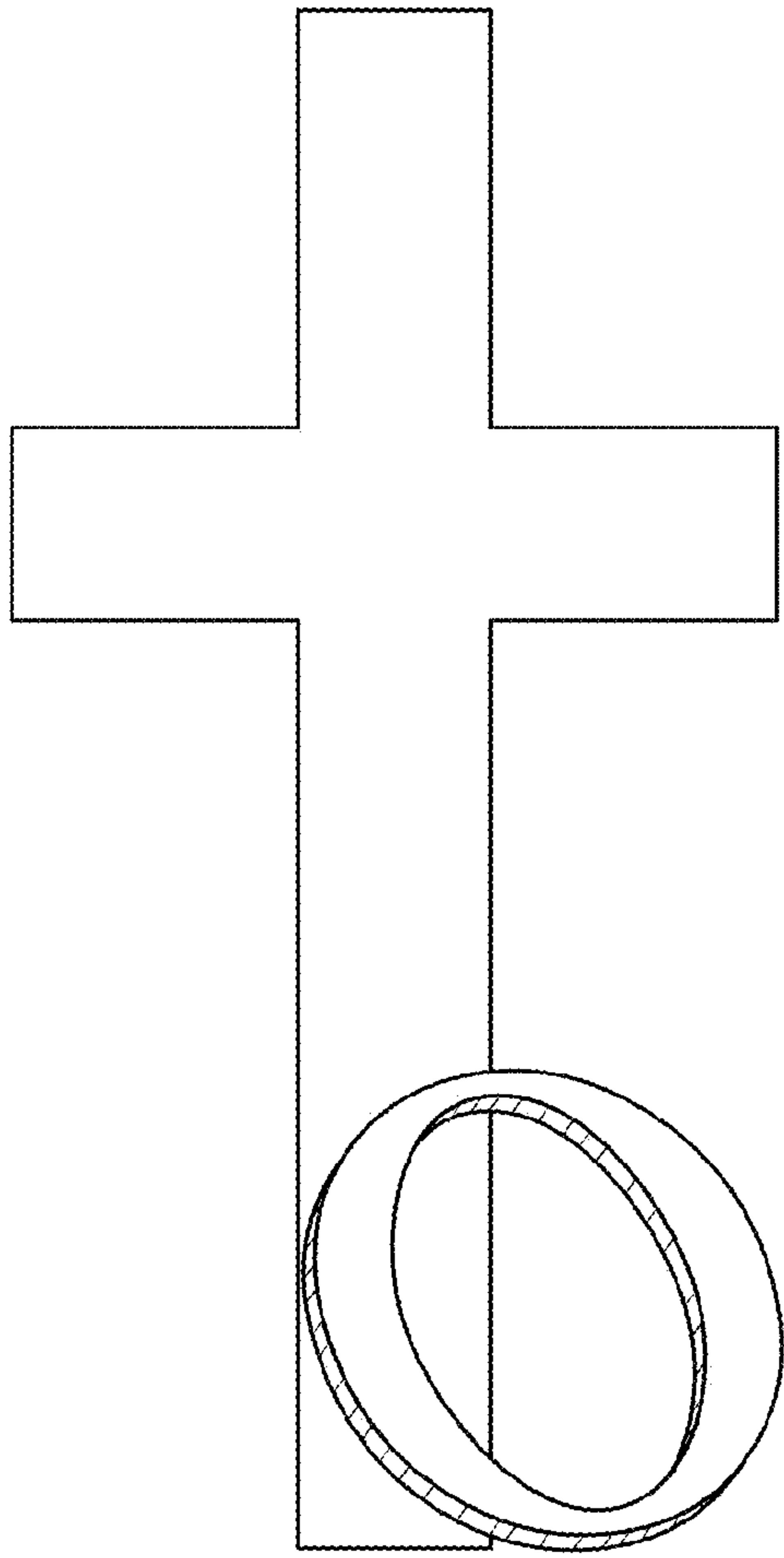


FIG. 100

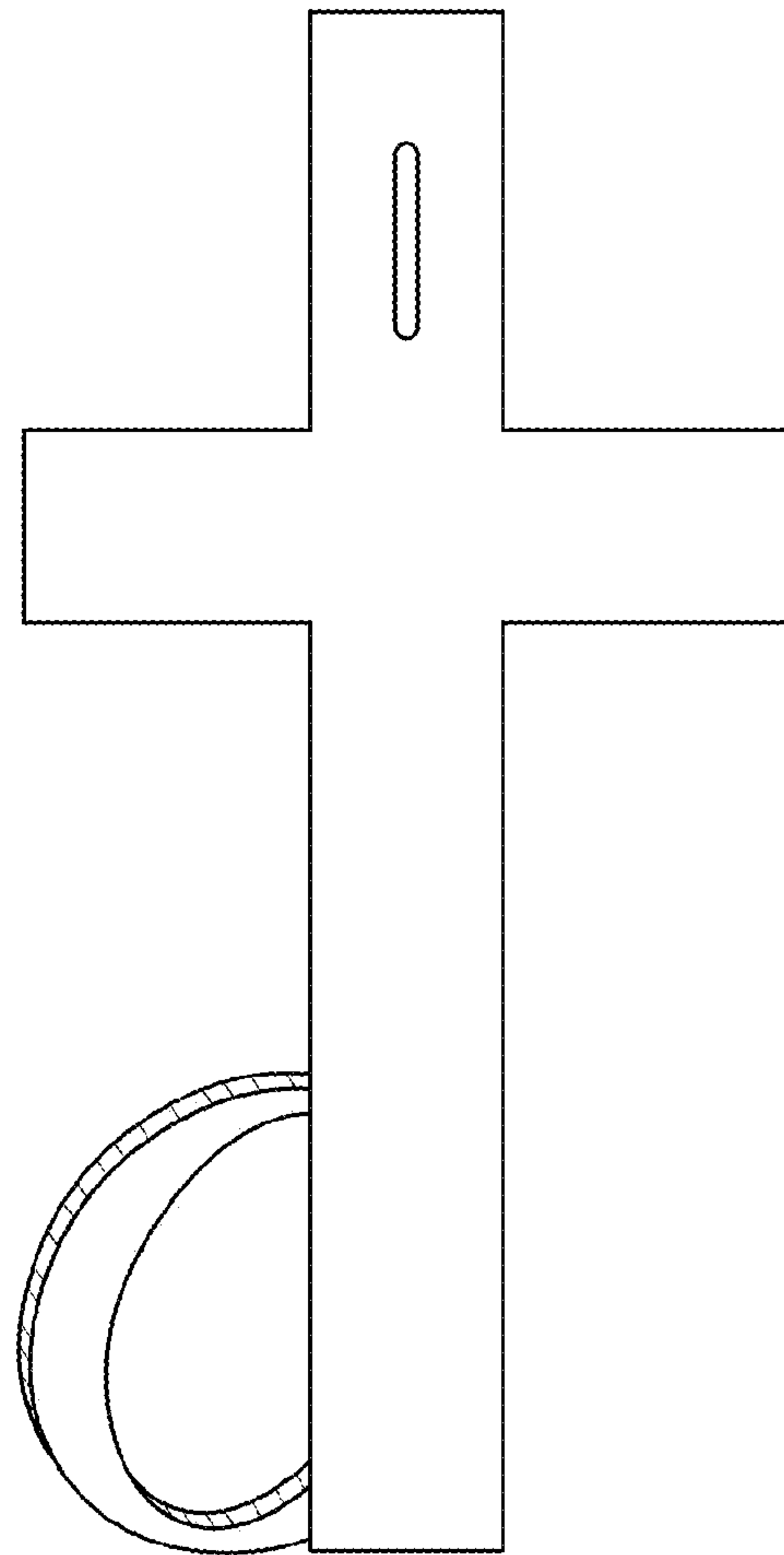


FIG. 101

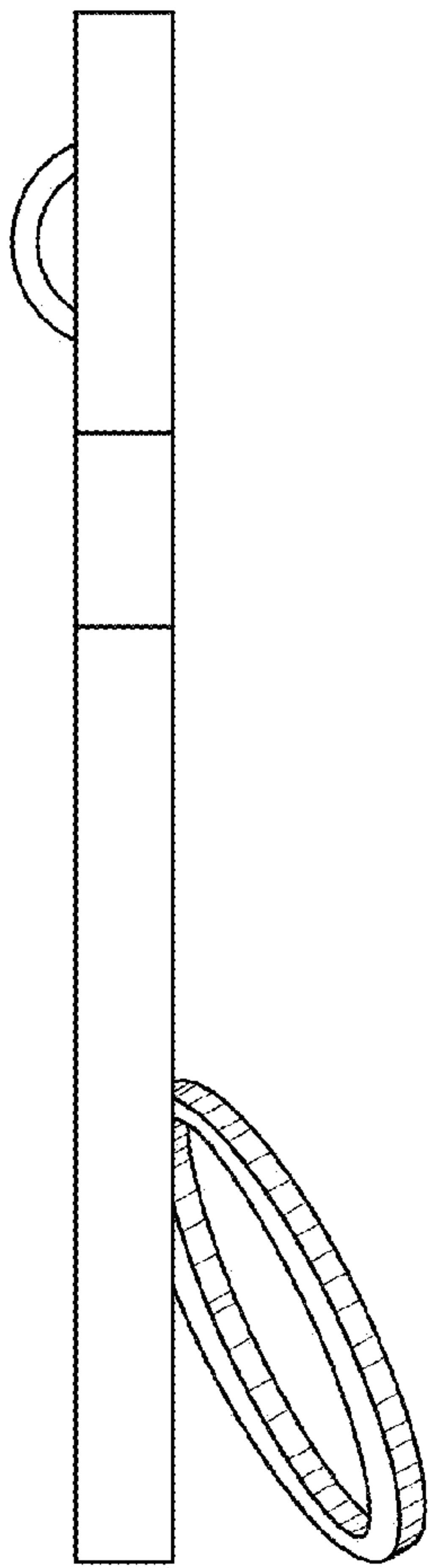


FIG. 102

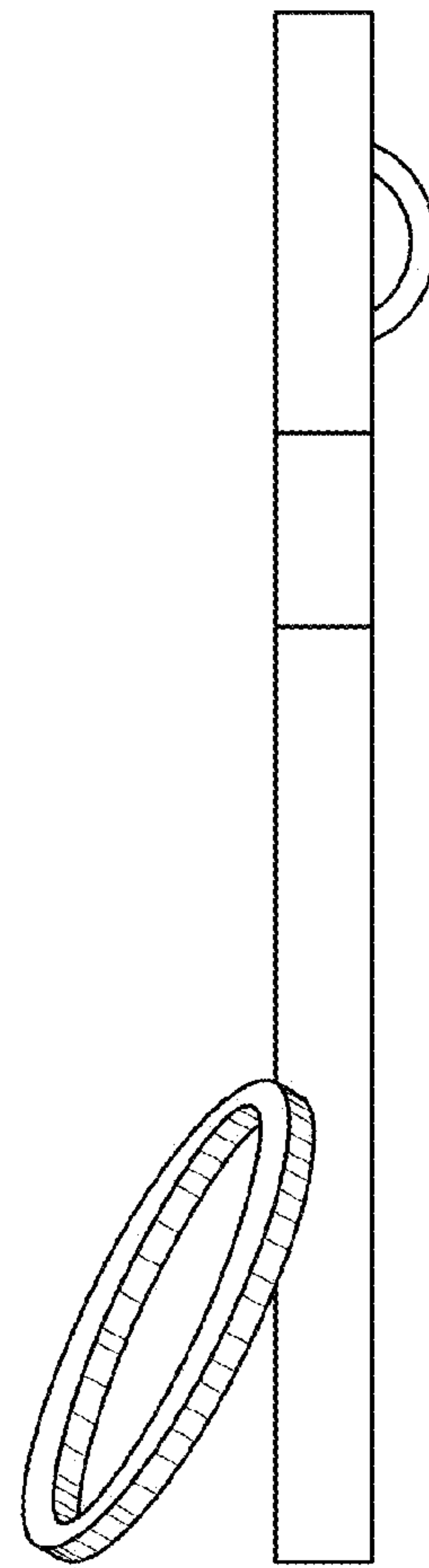


FIG. 103

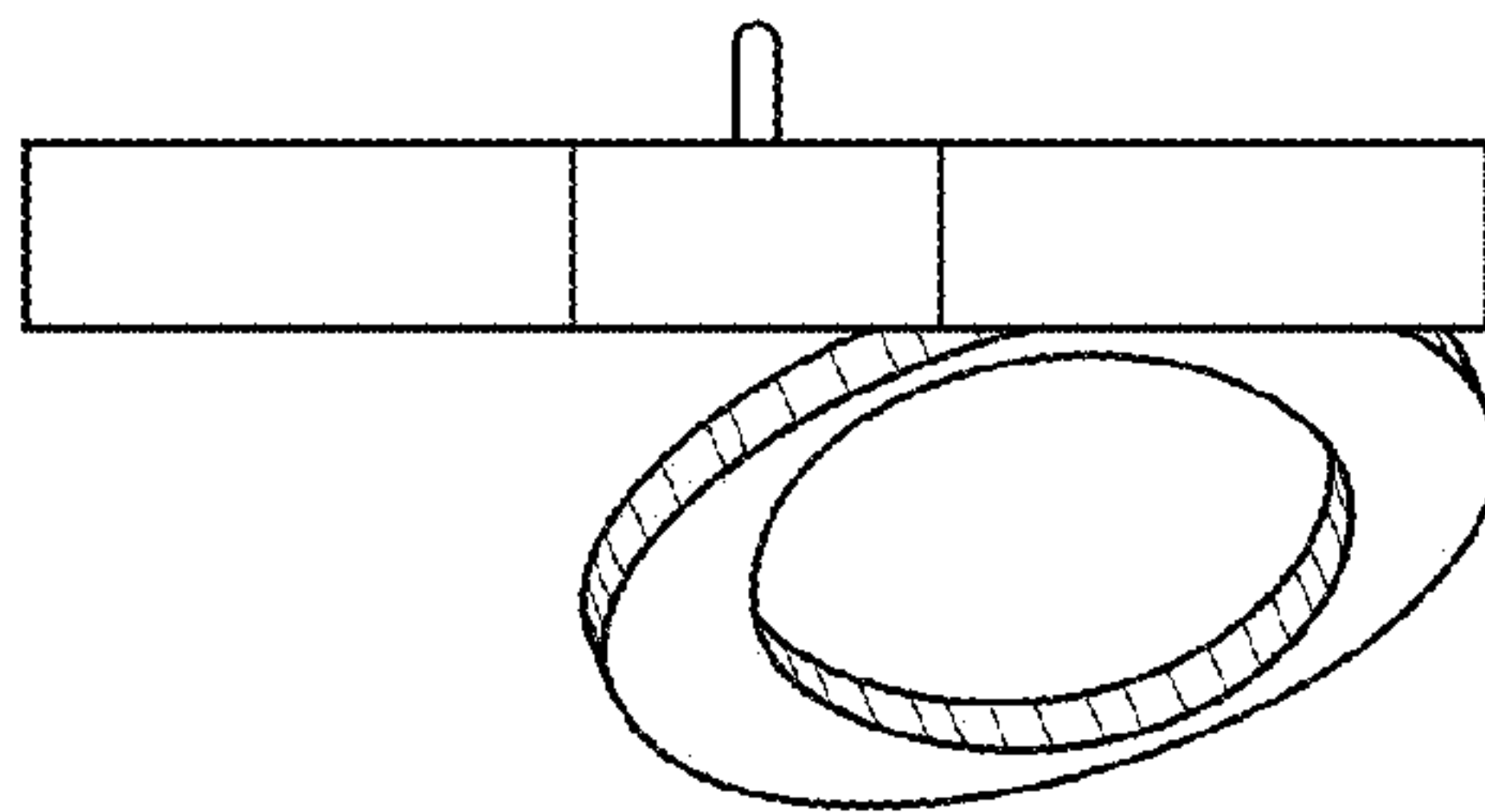


FIG. 104

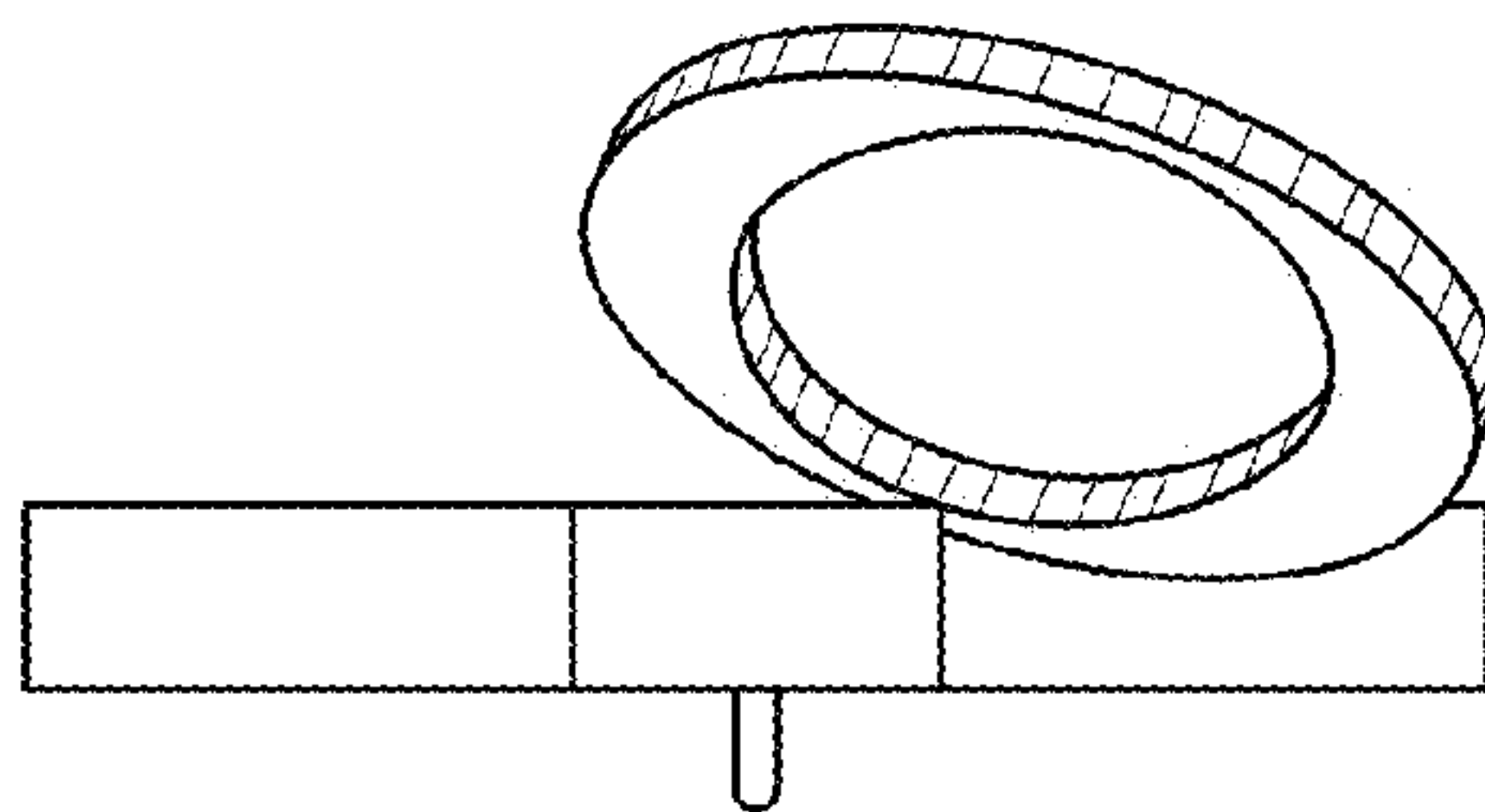


FIG. 105

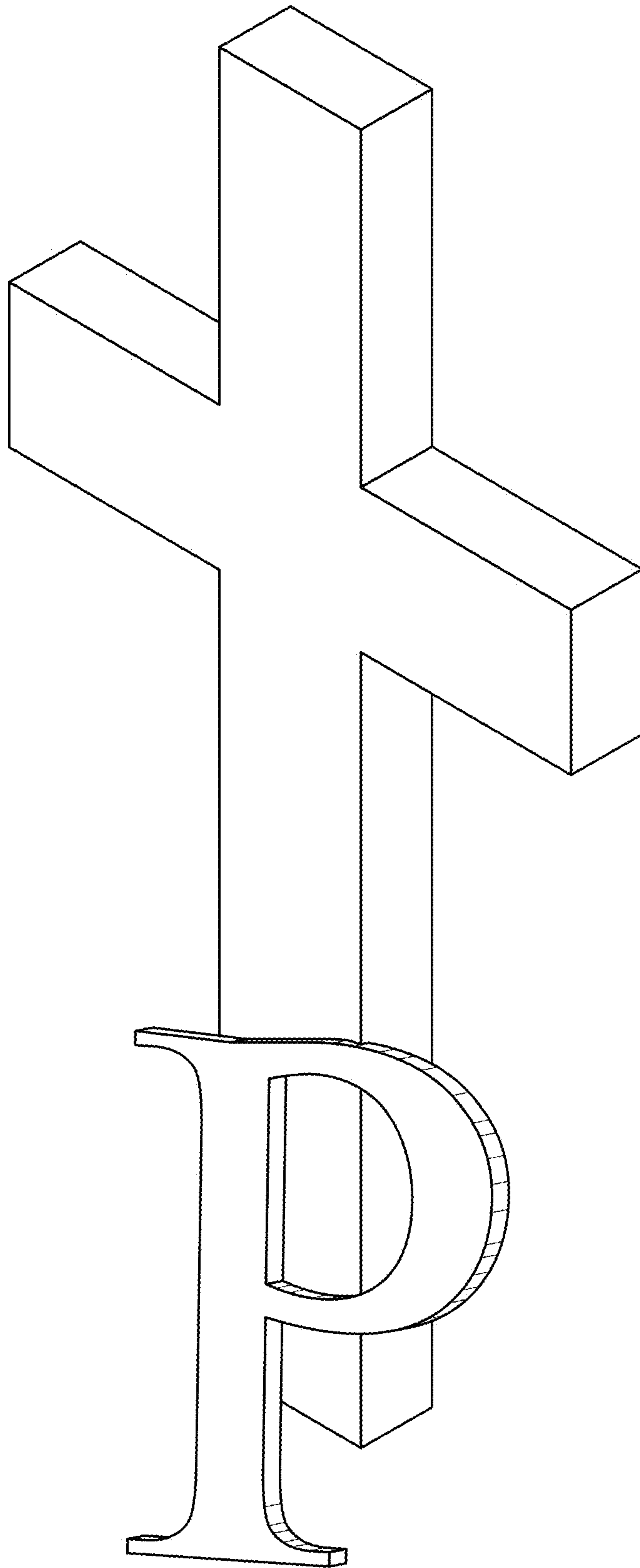


FIG. 106

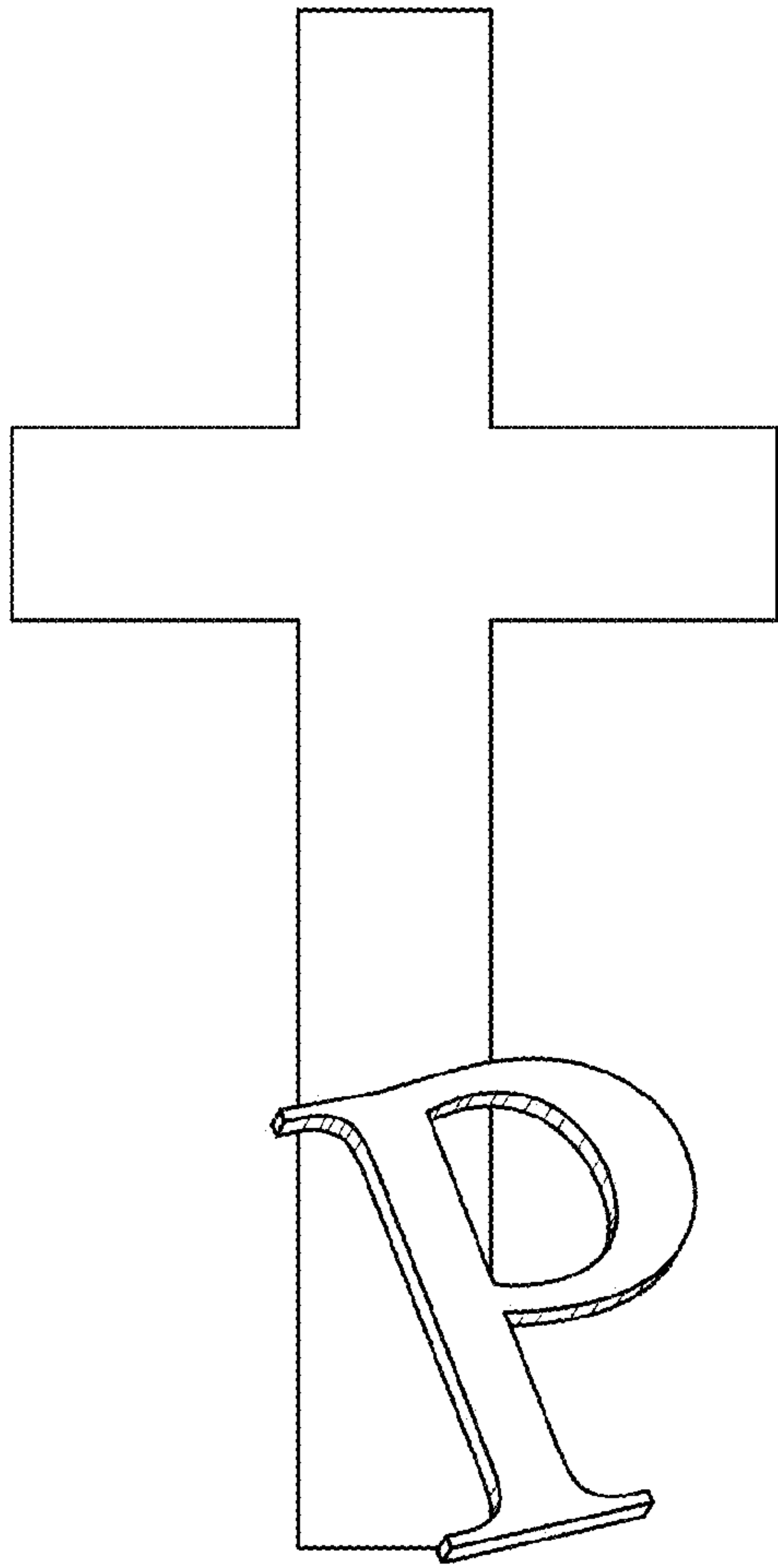


FIG. 107

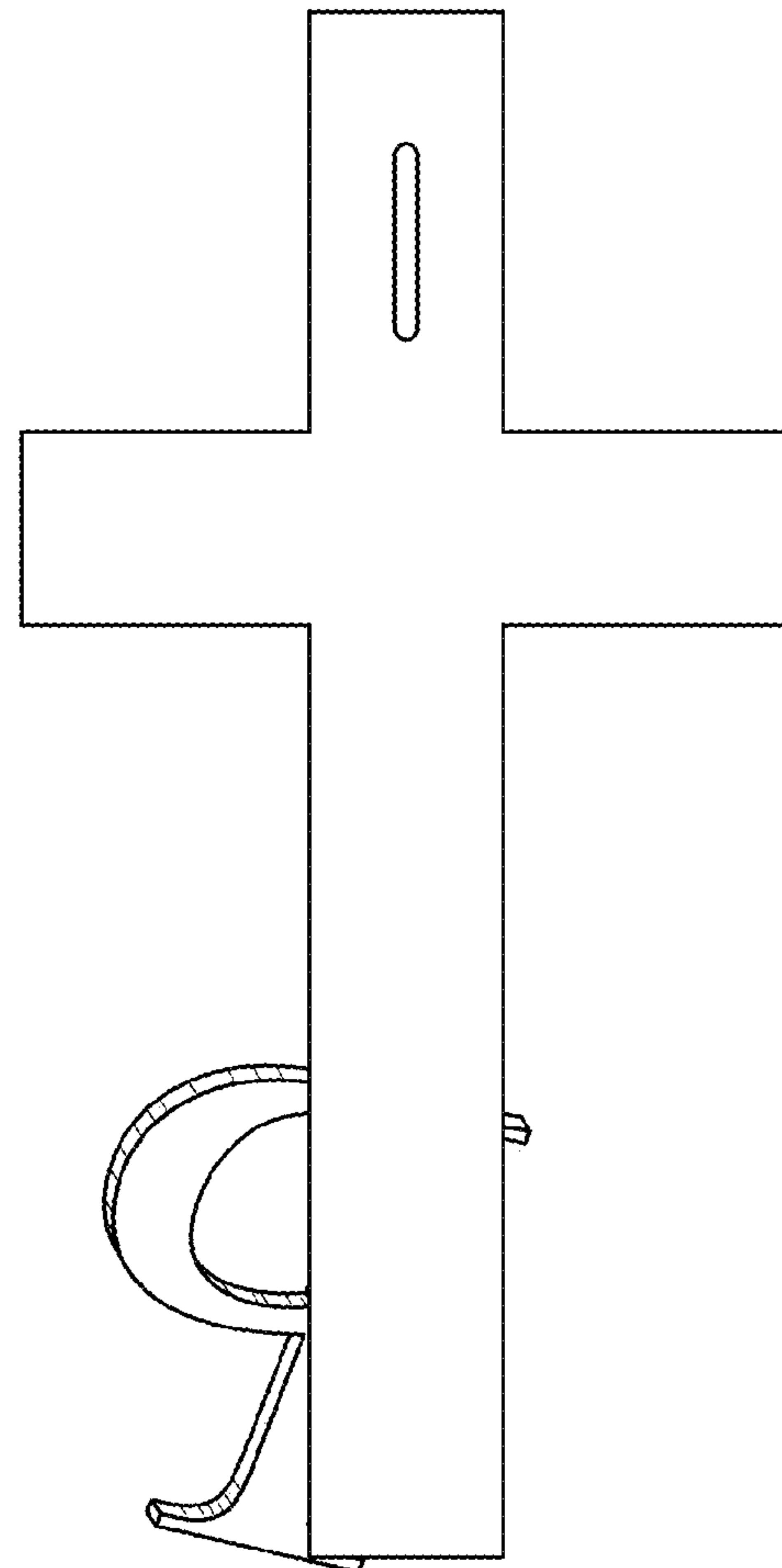


FIG. 108

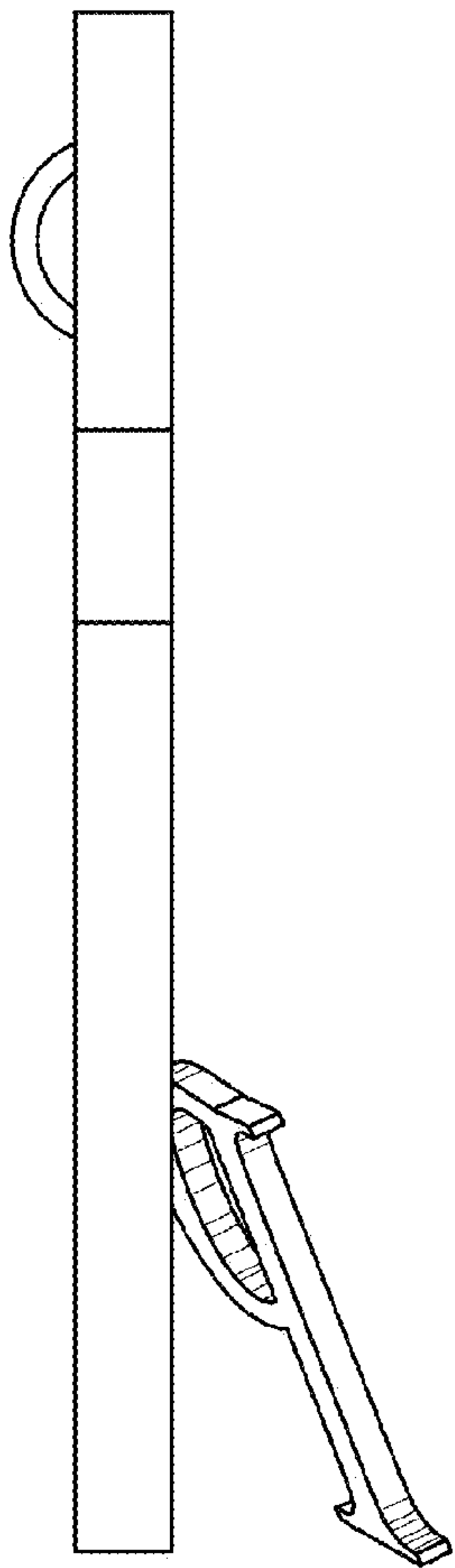


FIG. 109

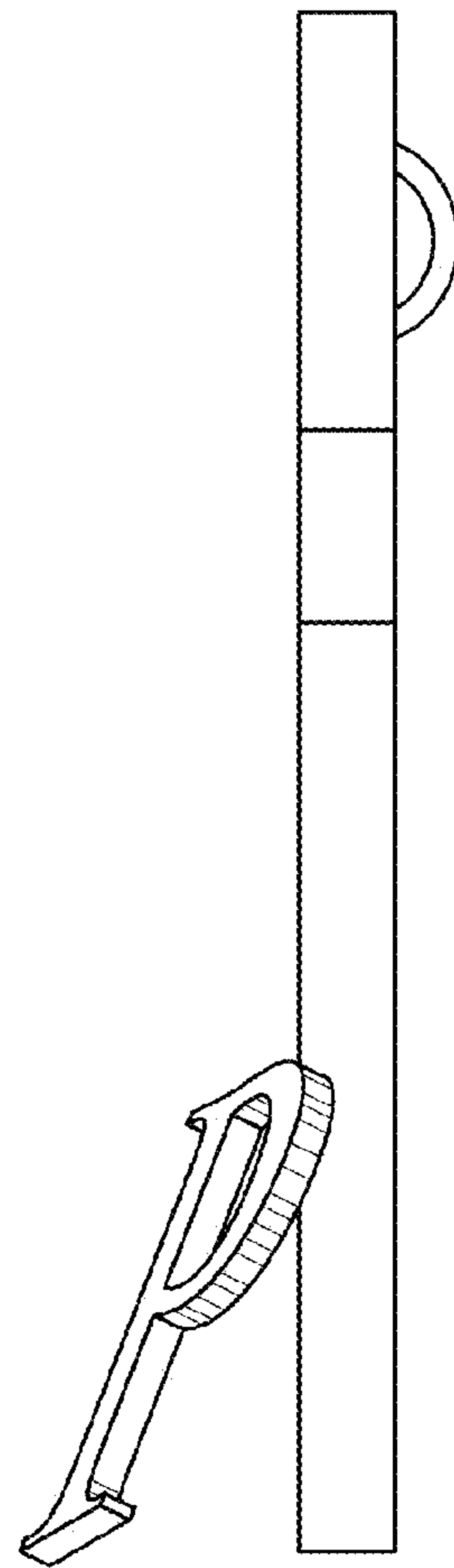


FIG. 110

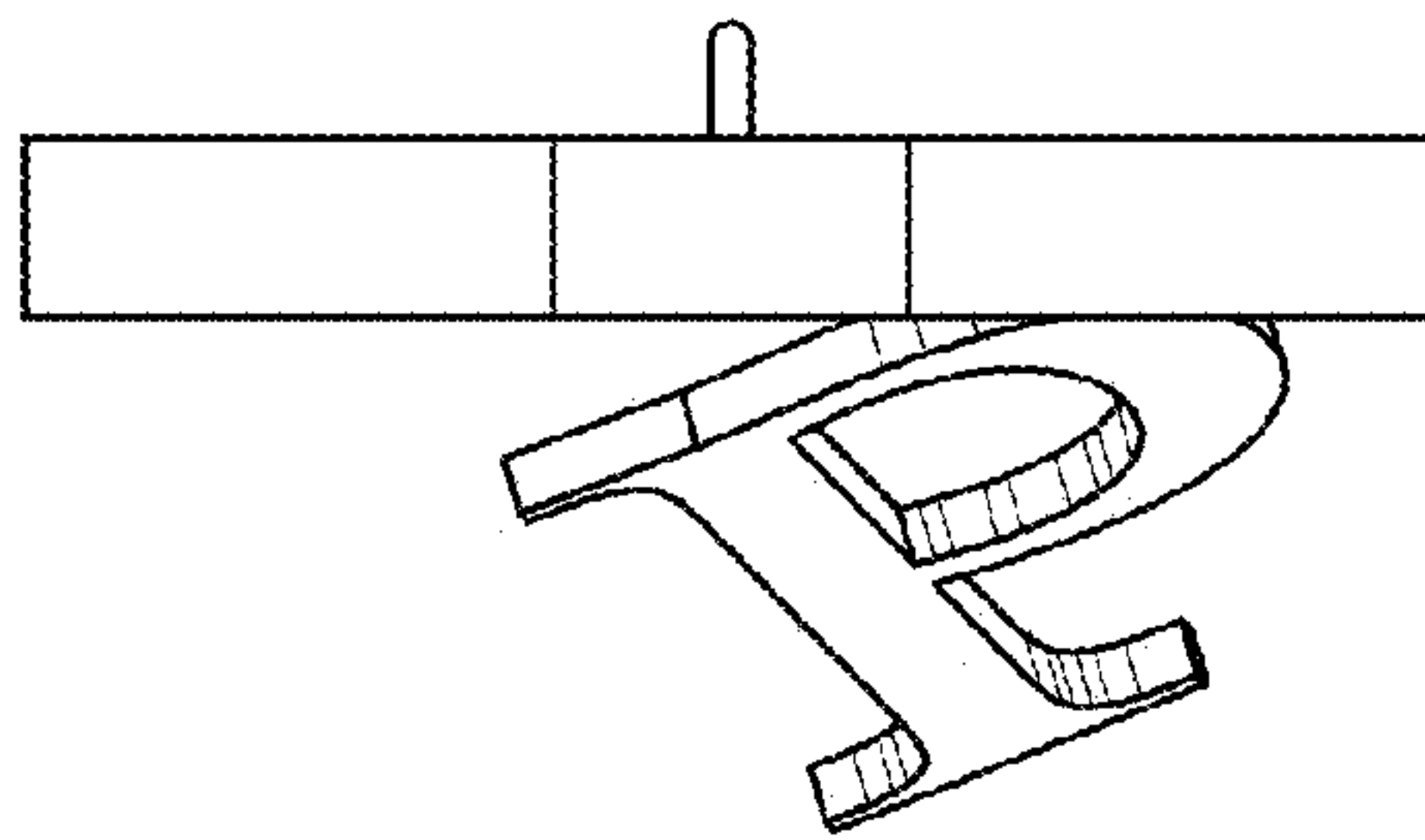


FIG. 111

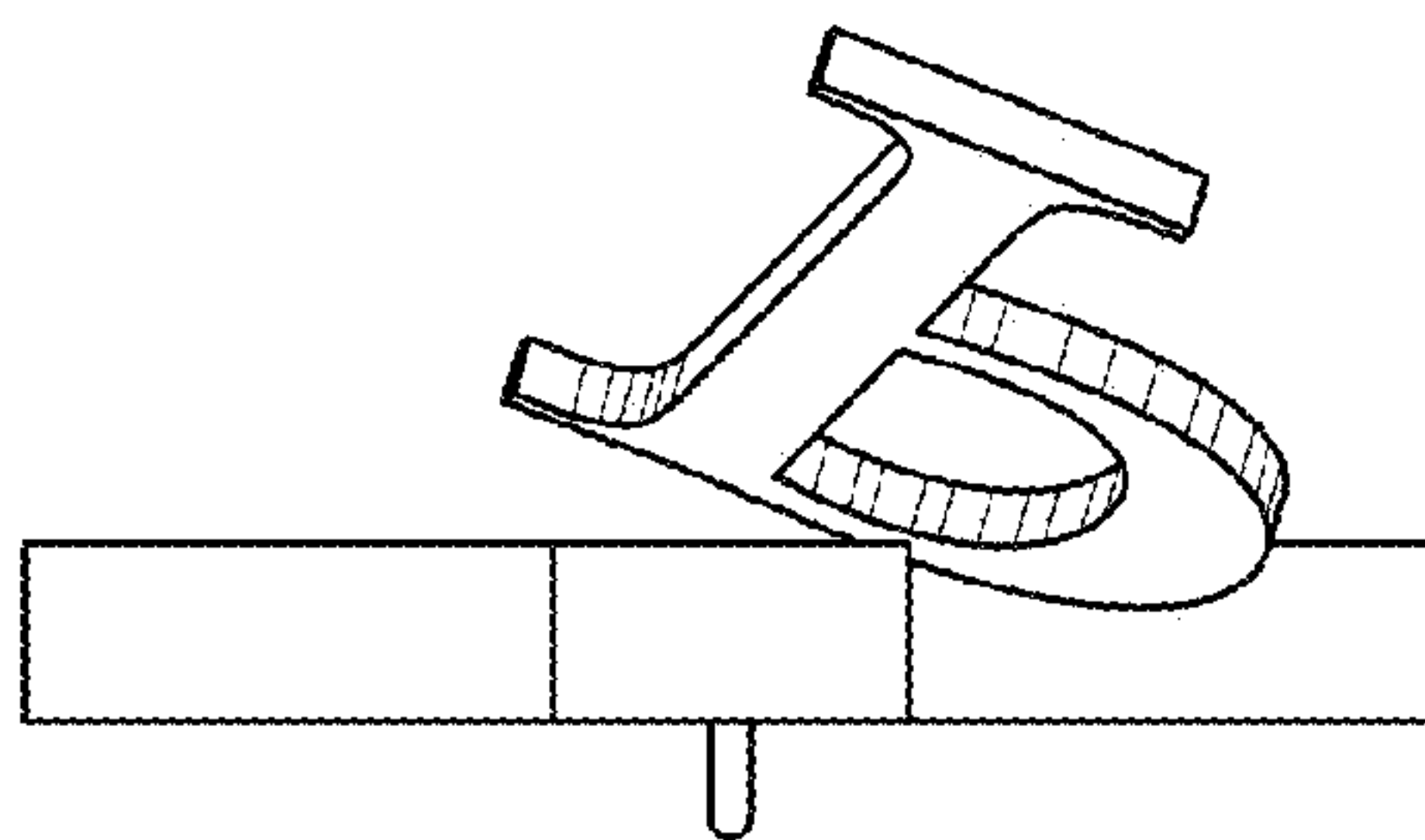


FIG. 112

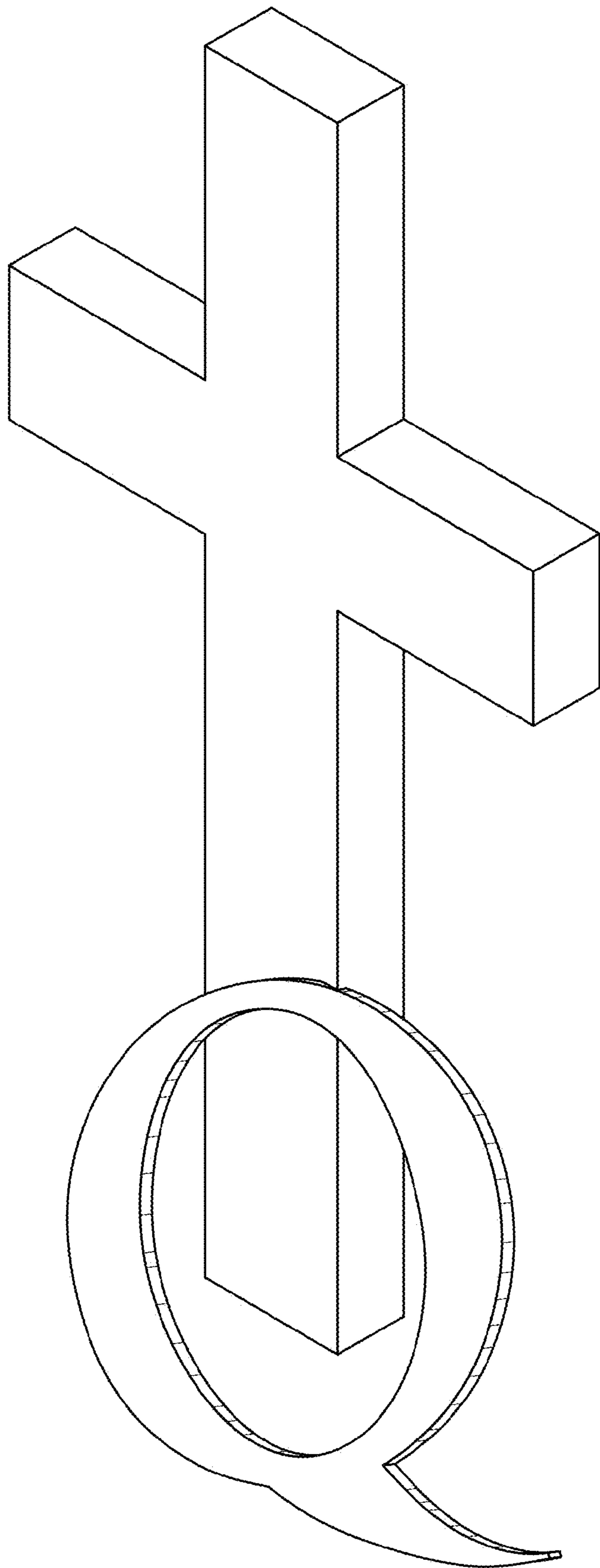


FIG. 113

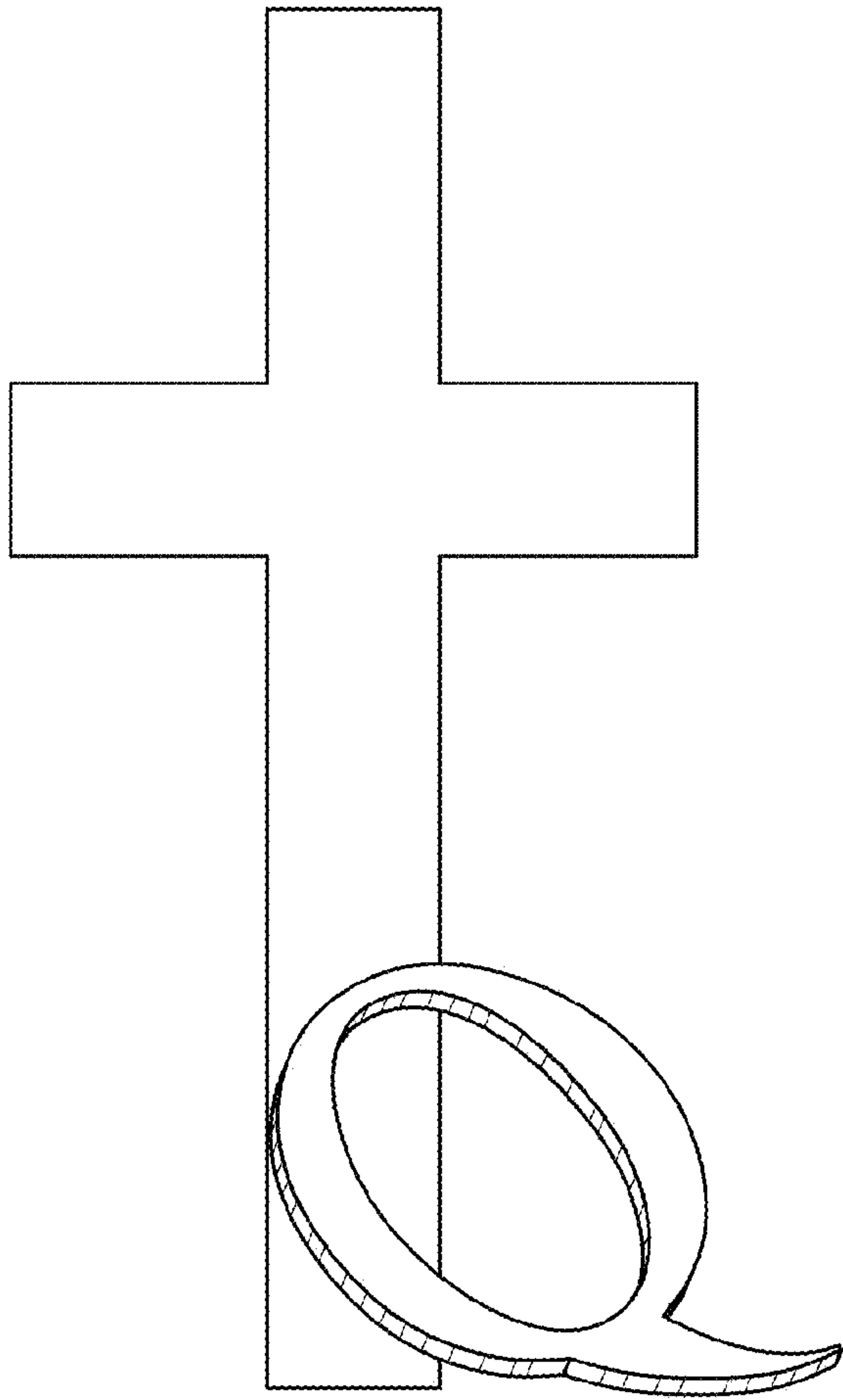


FIG. 114

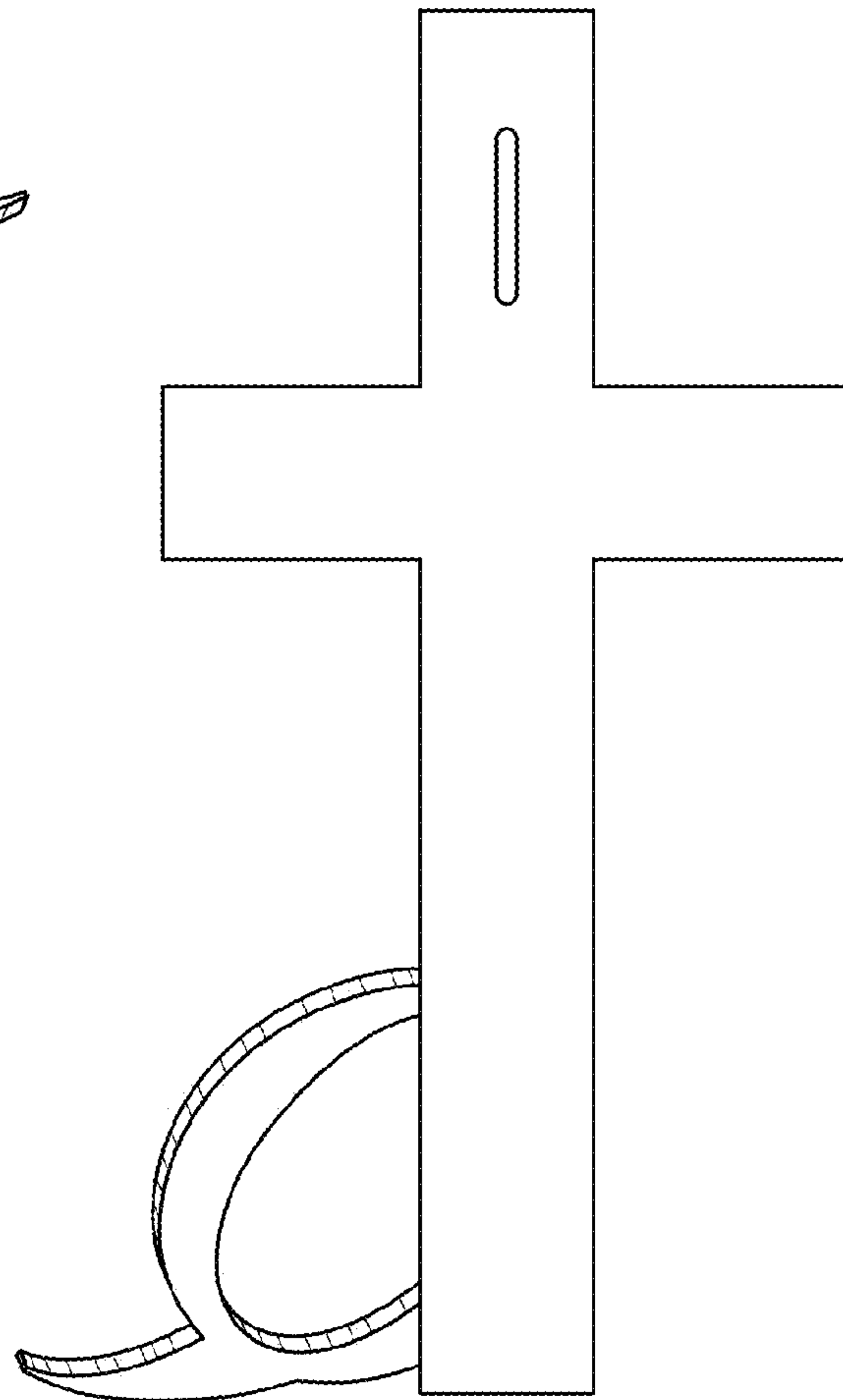


FIG. 115

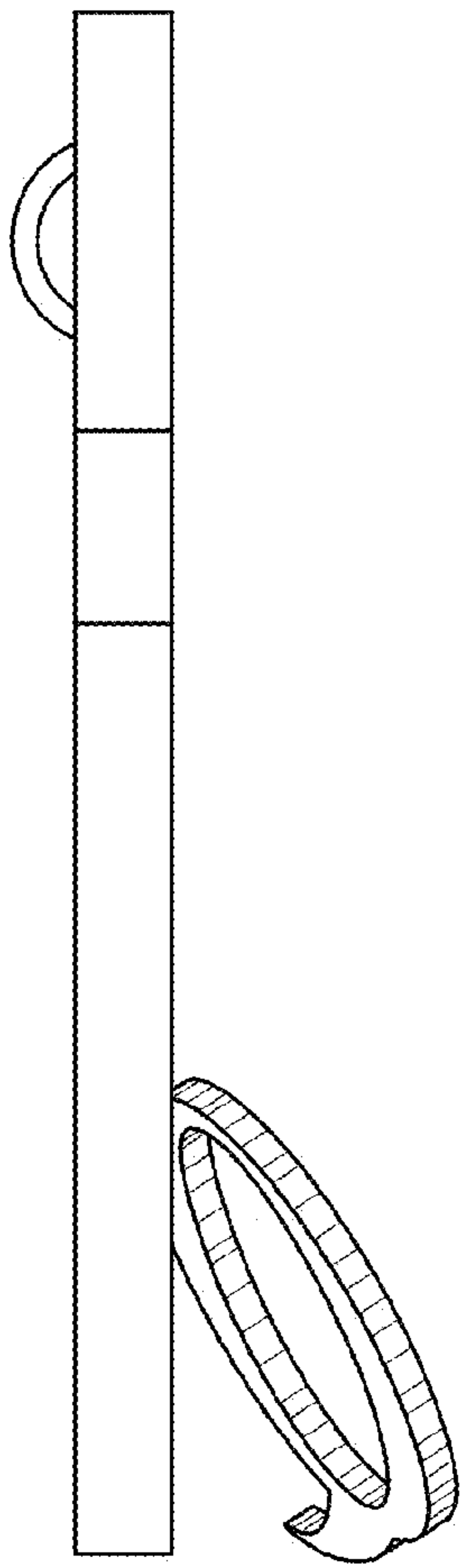


FIG. 116

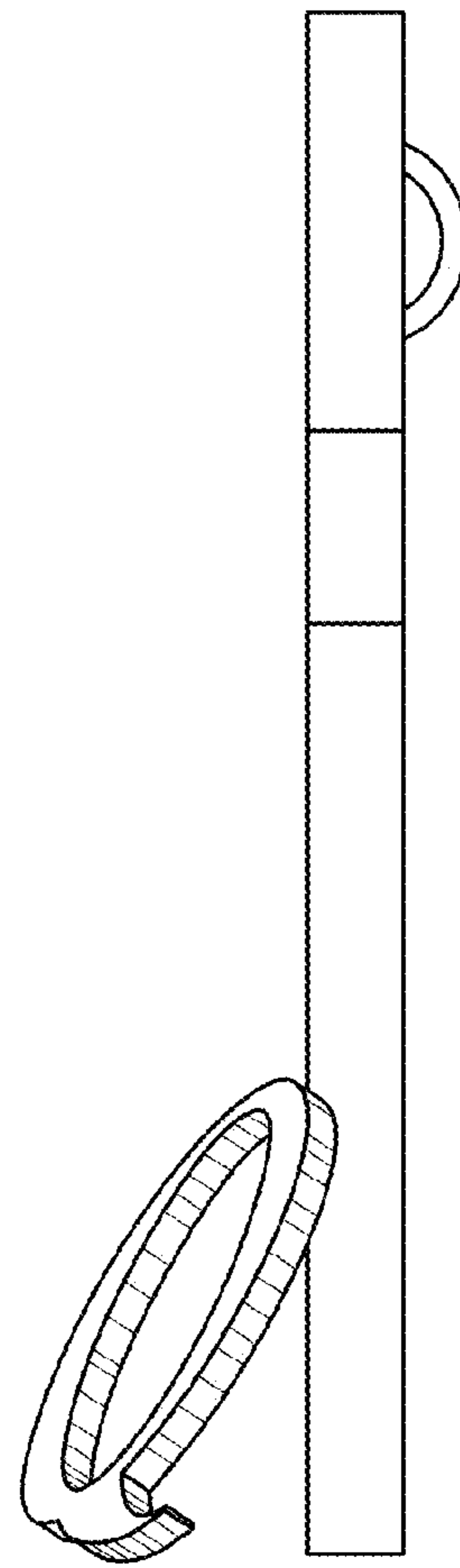


FIG. 117

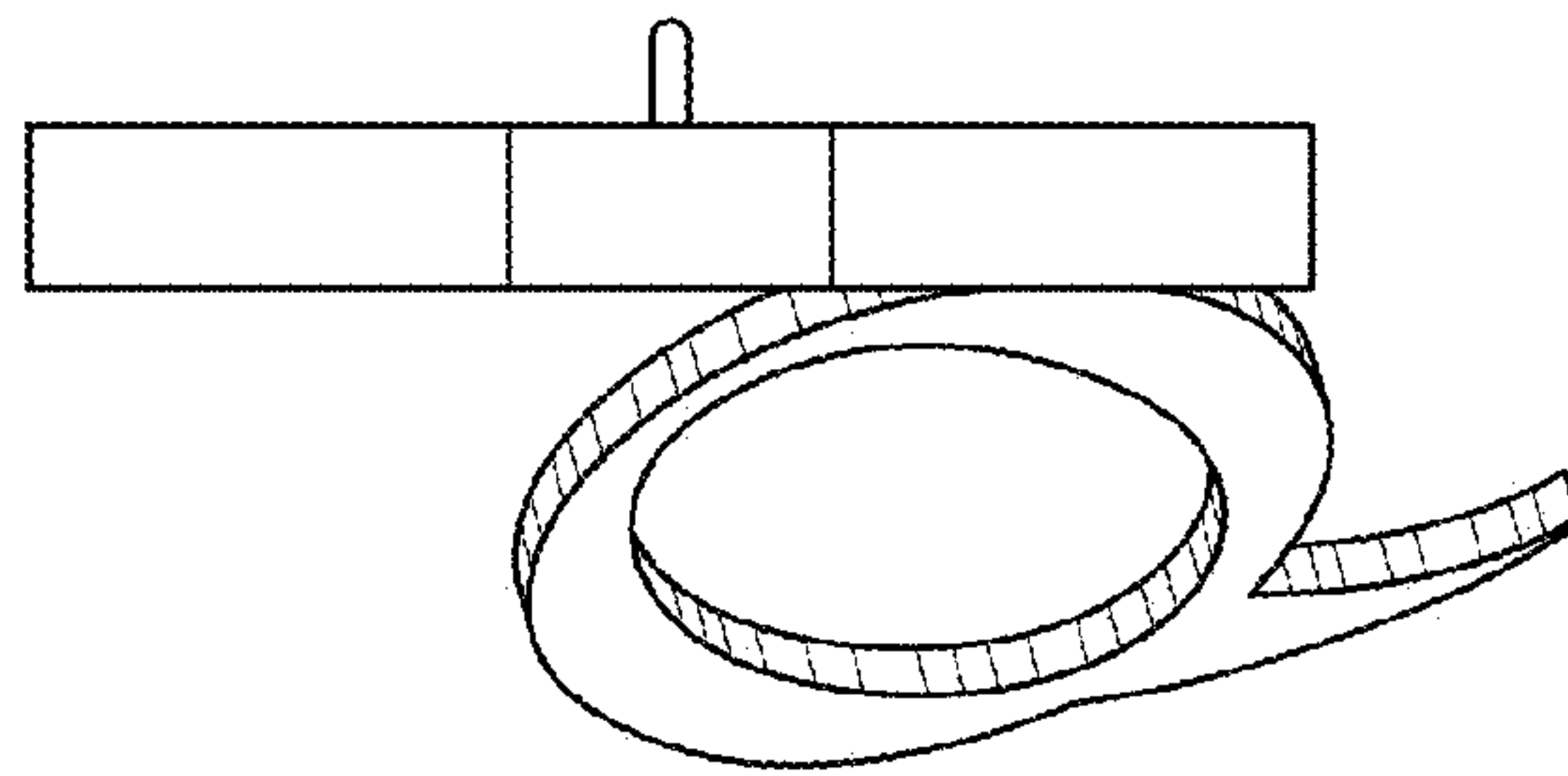


FIG. 118

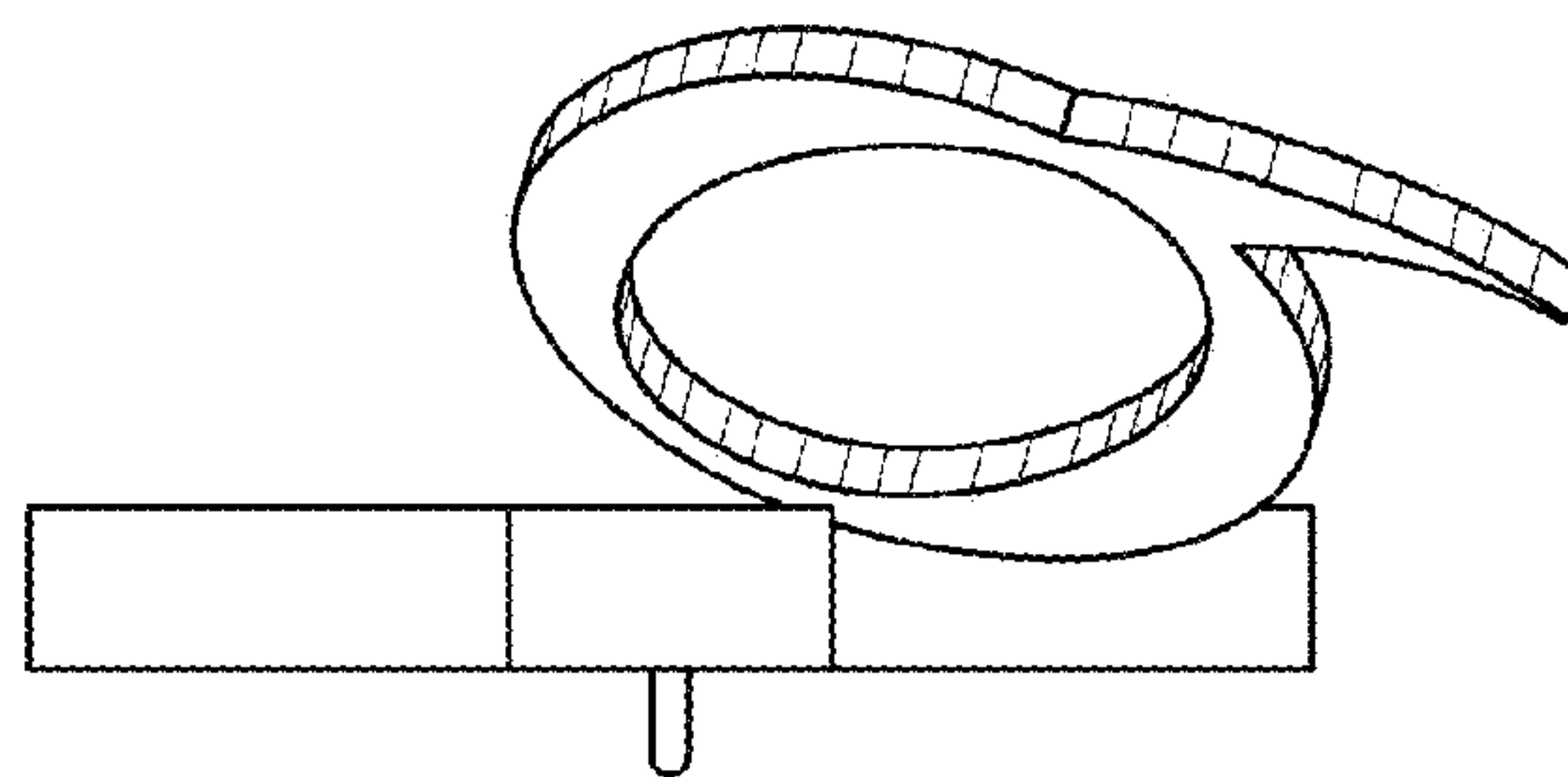


FIG. 119

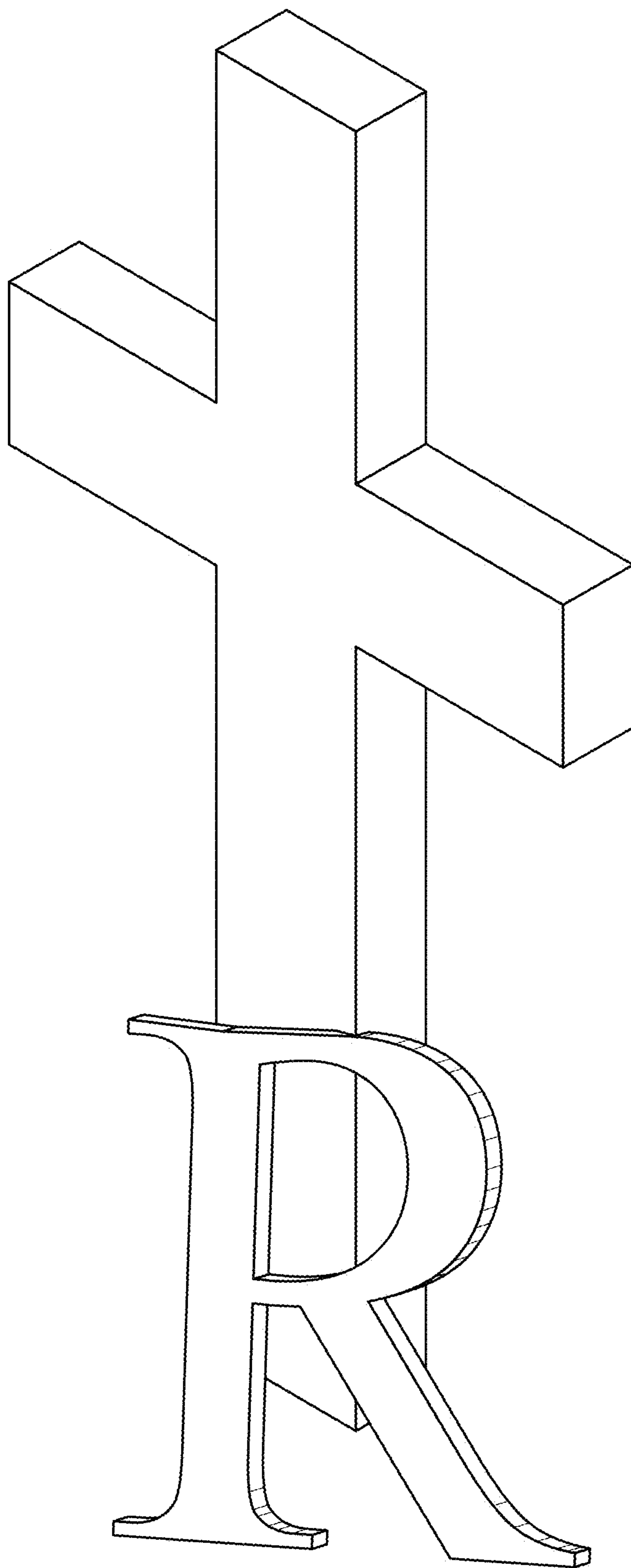


FIG. 120

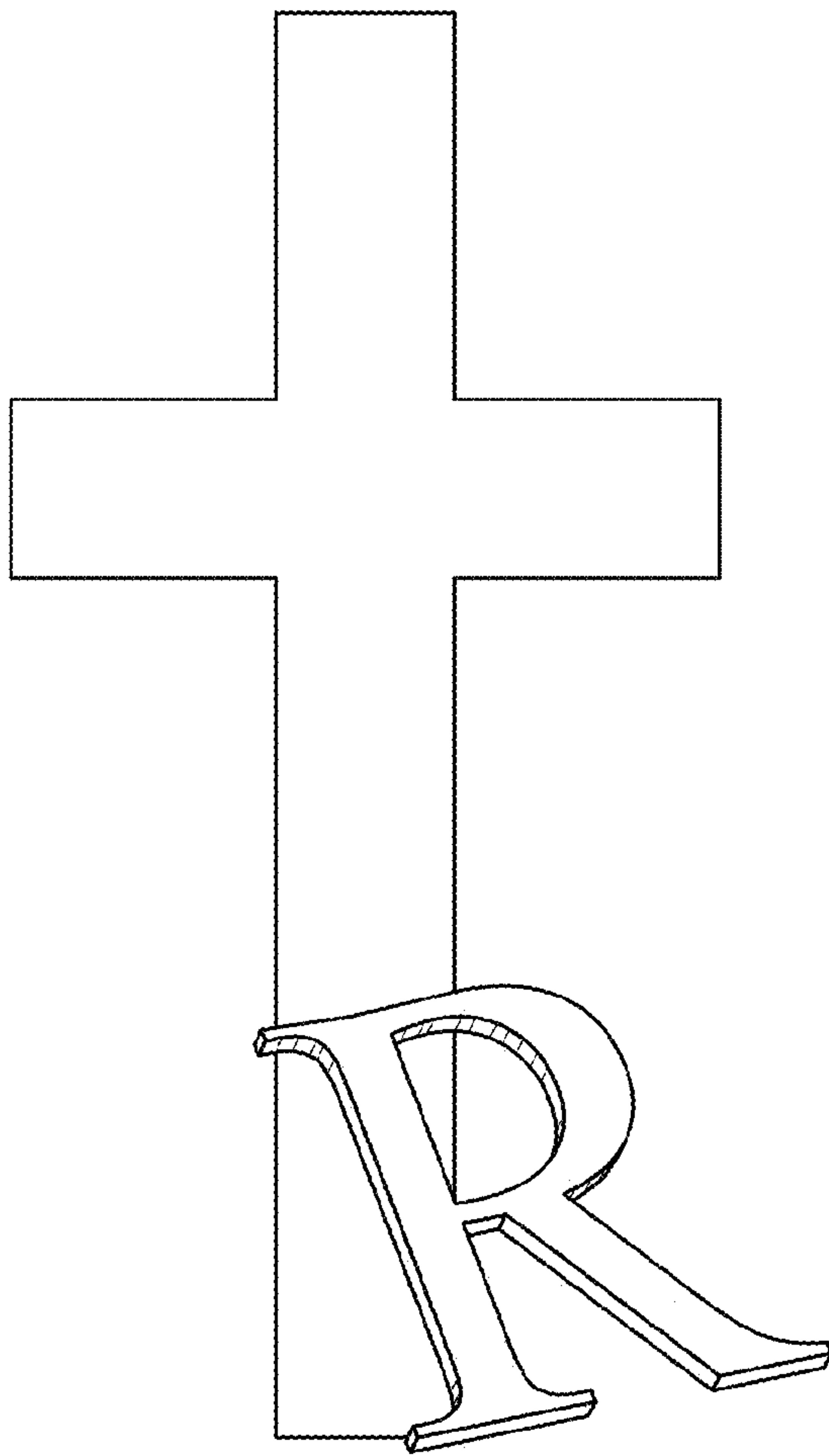


FIG. 121

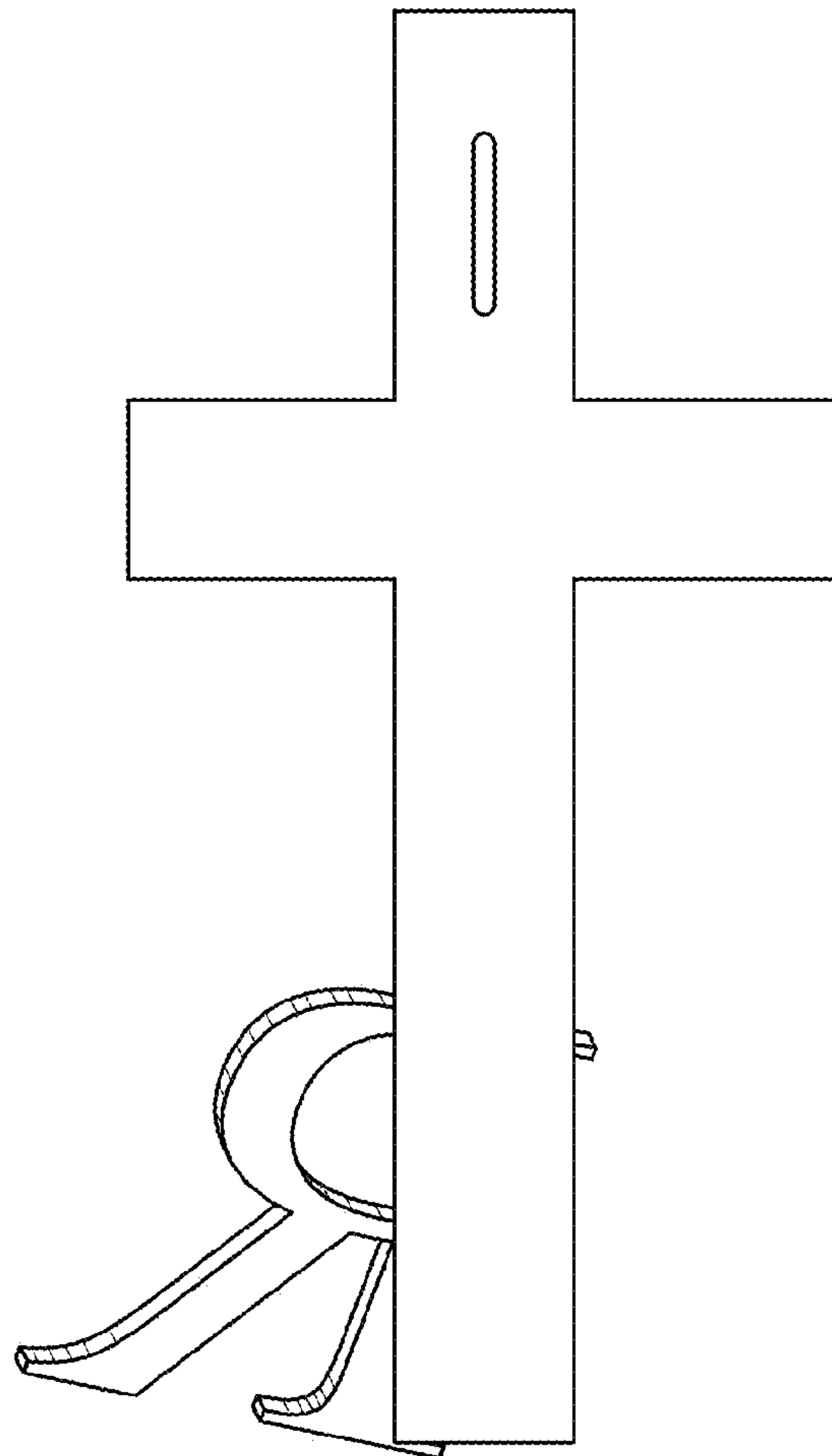


FIG. 122

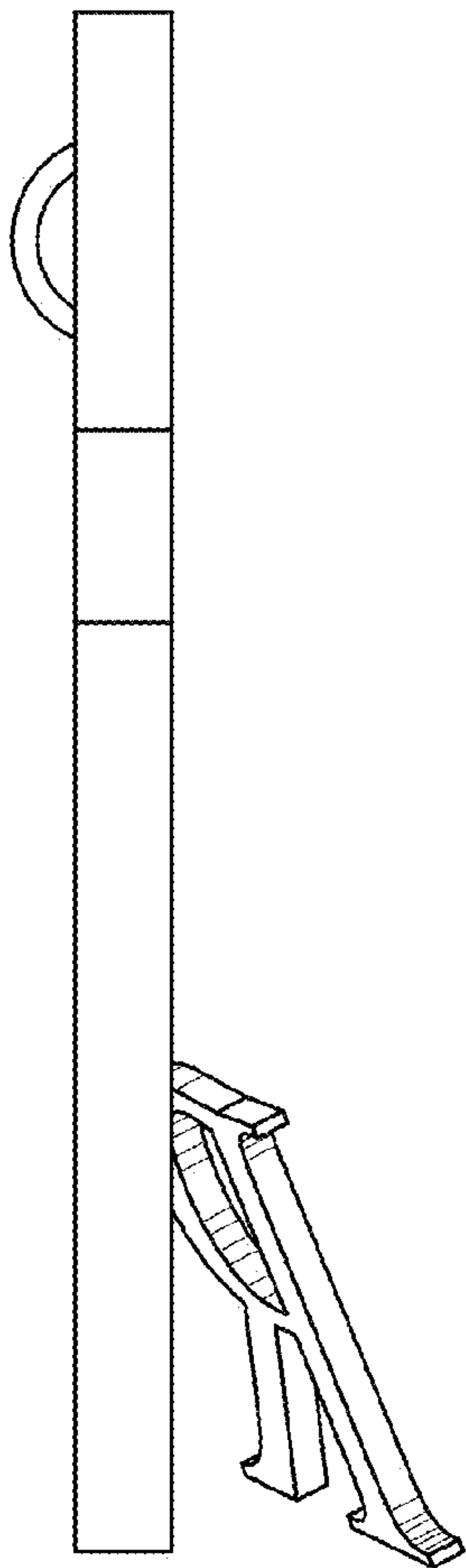


FIG. 123

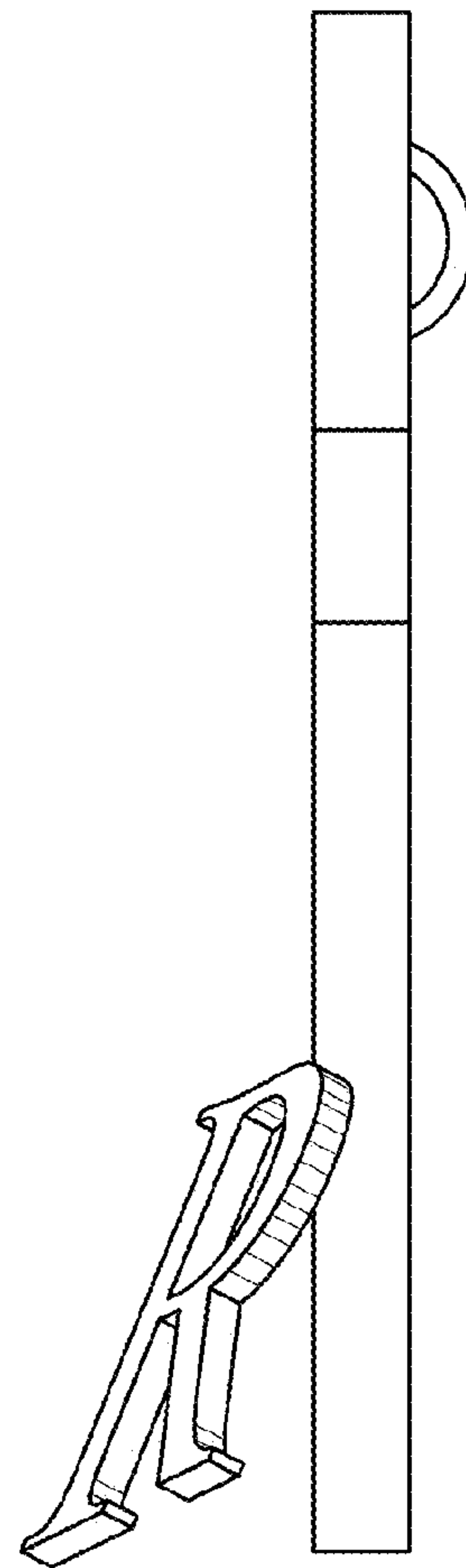


FIG. 124

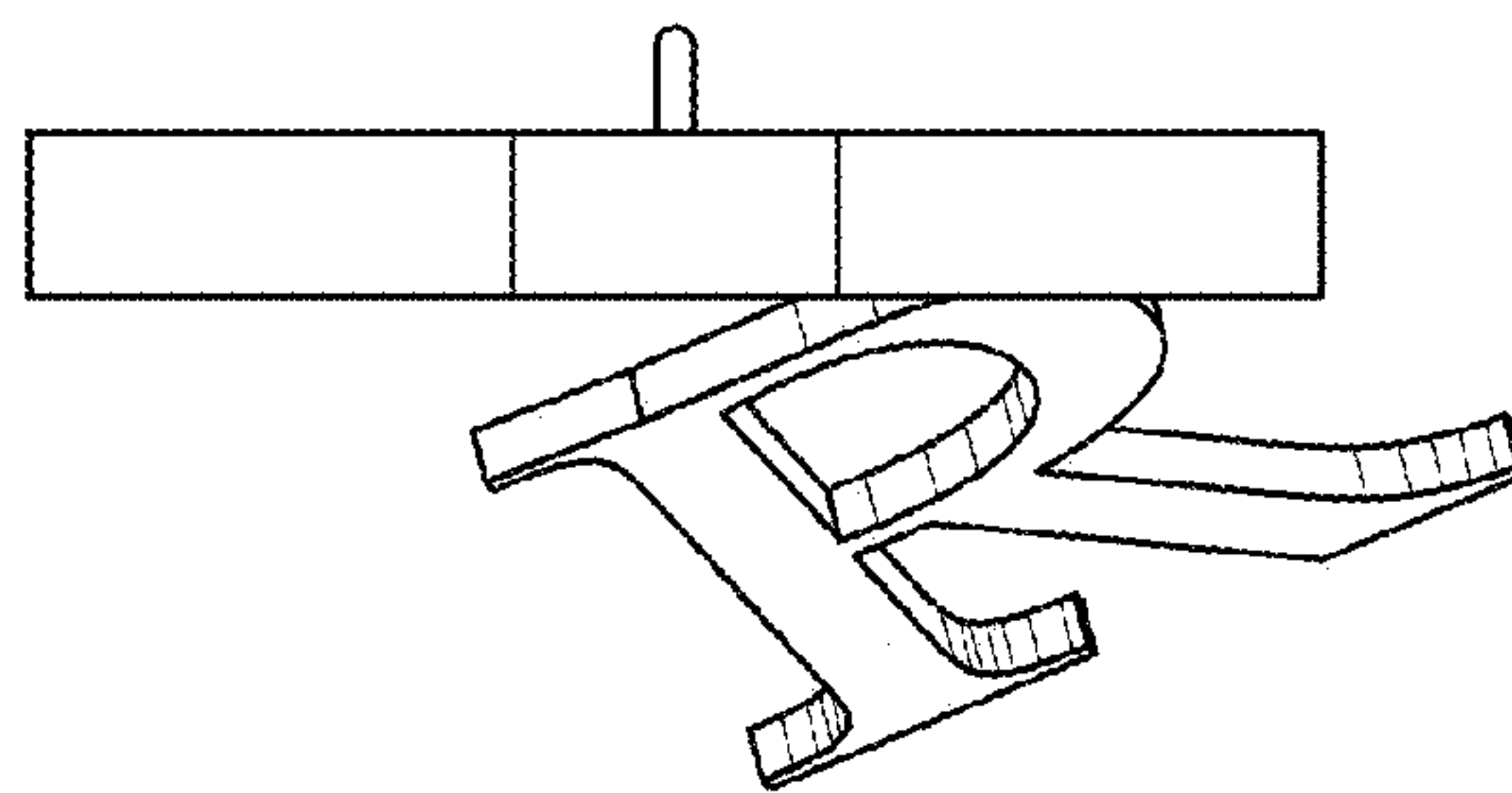


FIG. 125

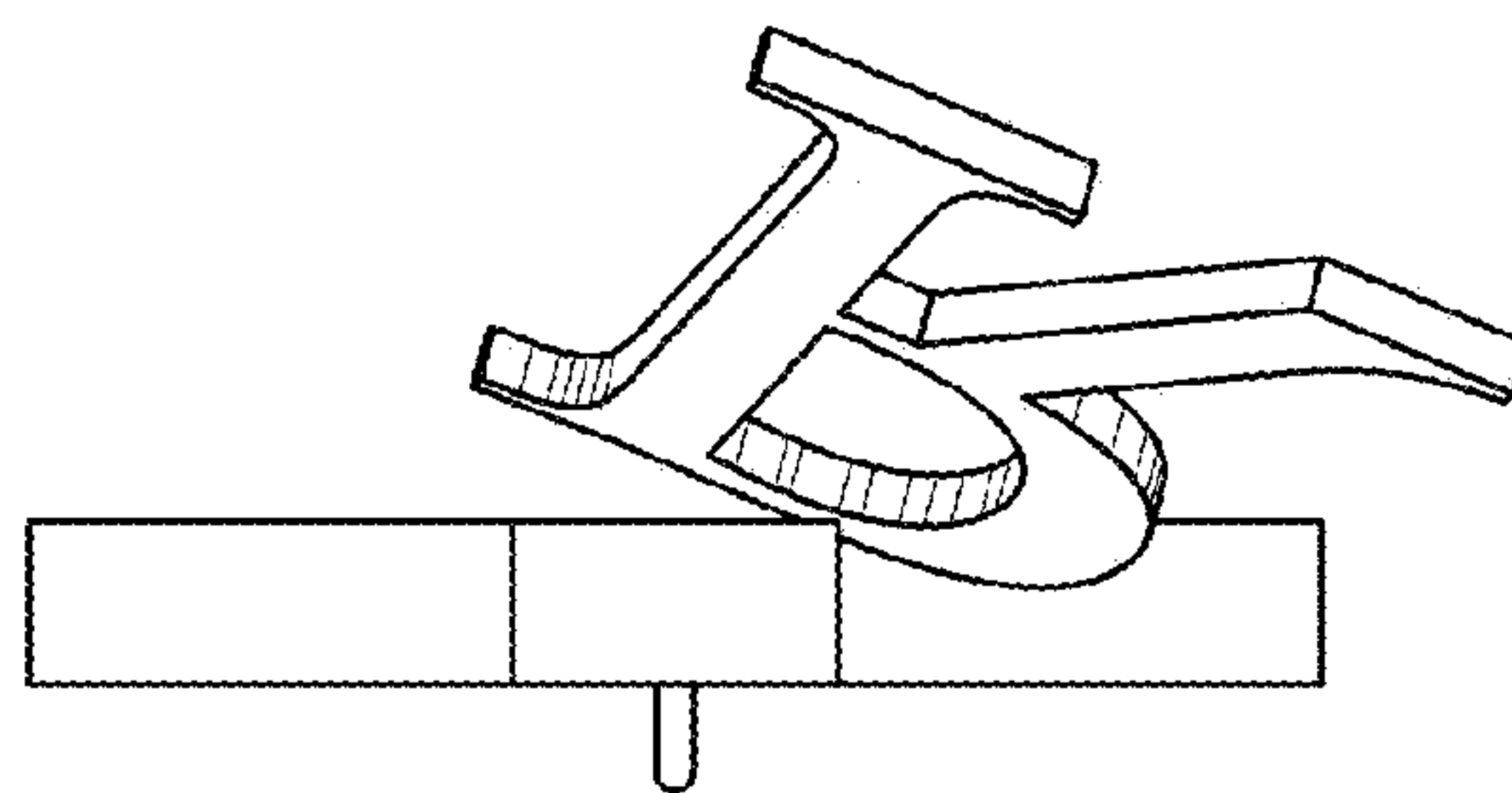


FIG. 126

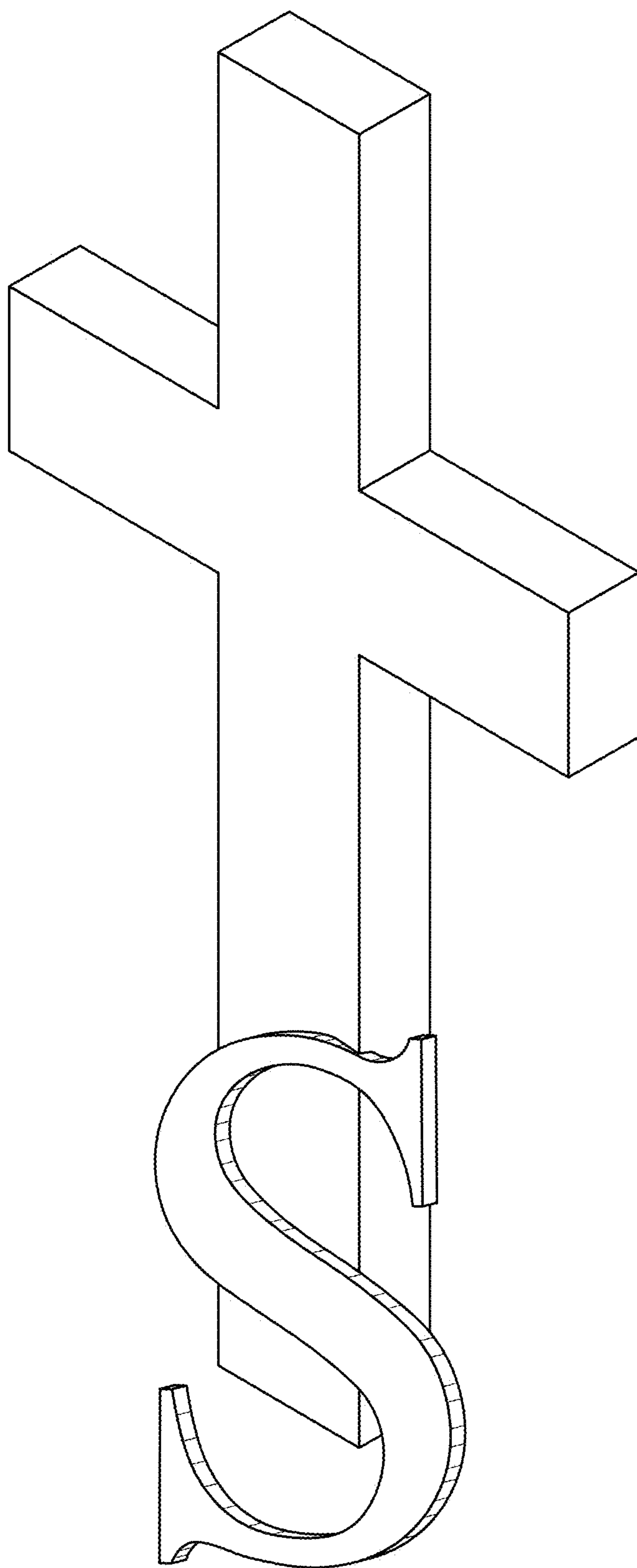


FIG. 127

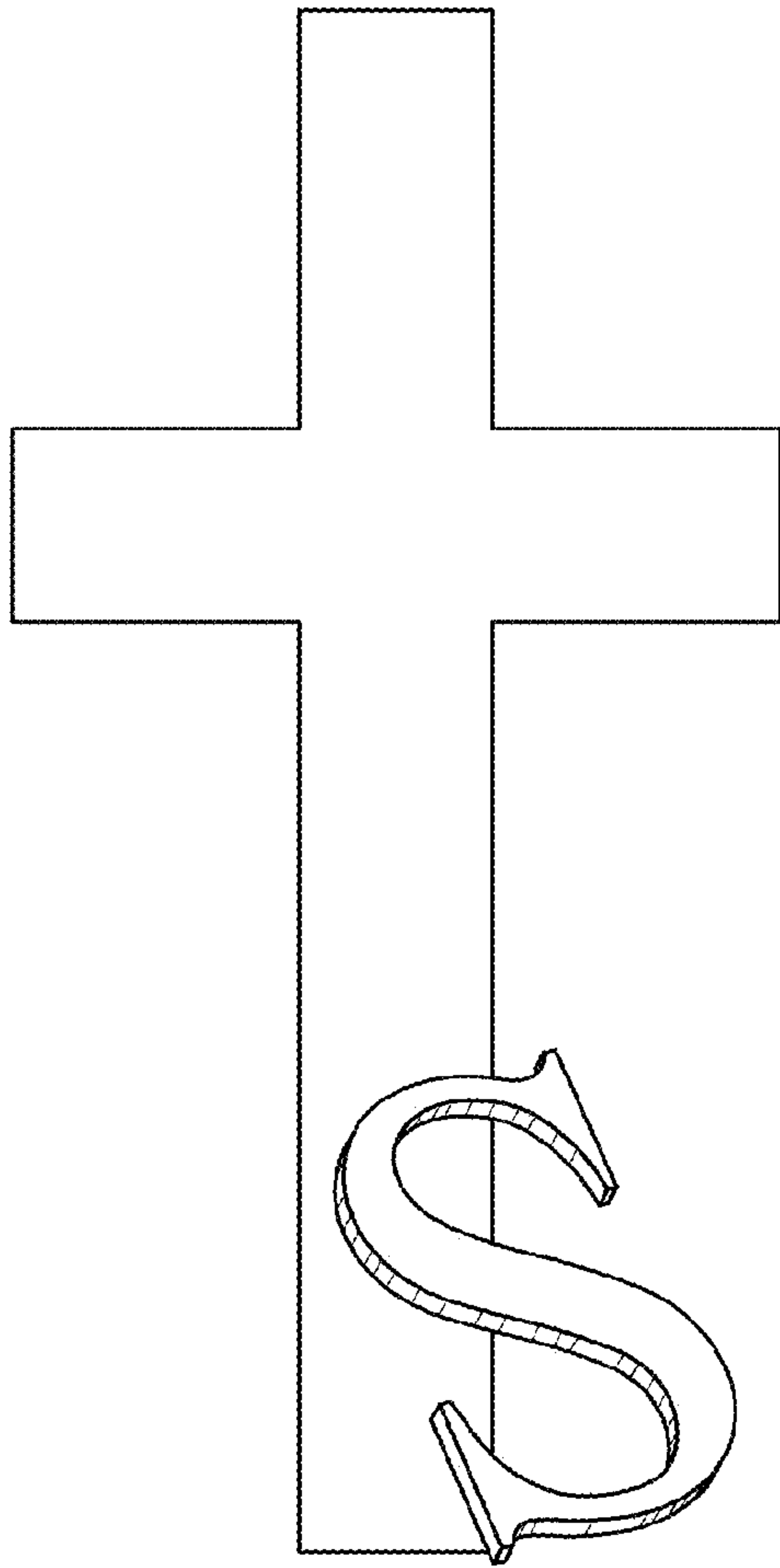


FIG. 128

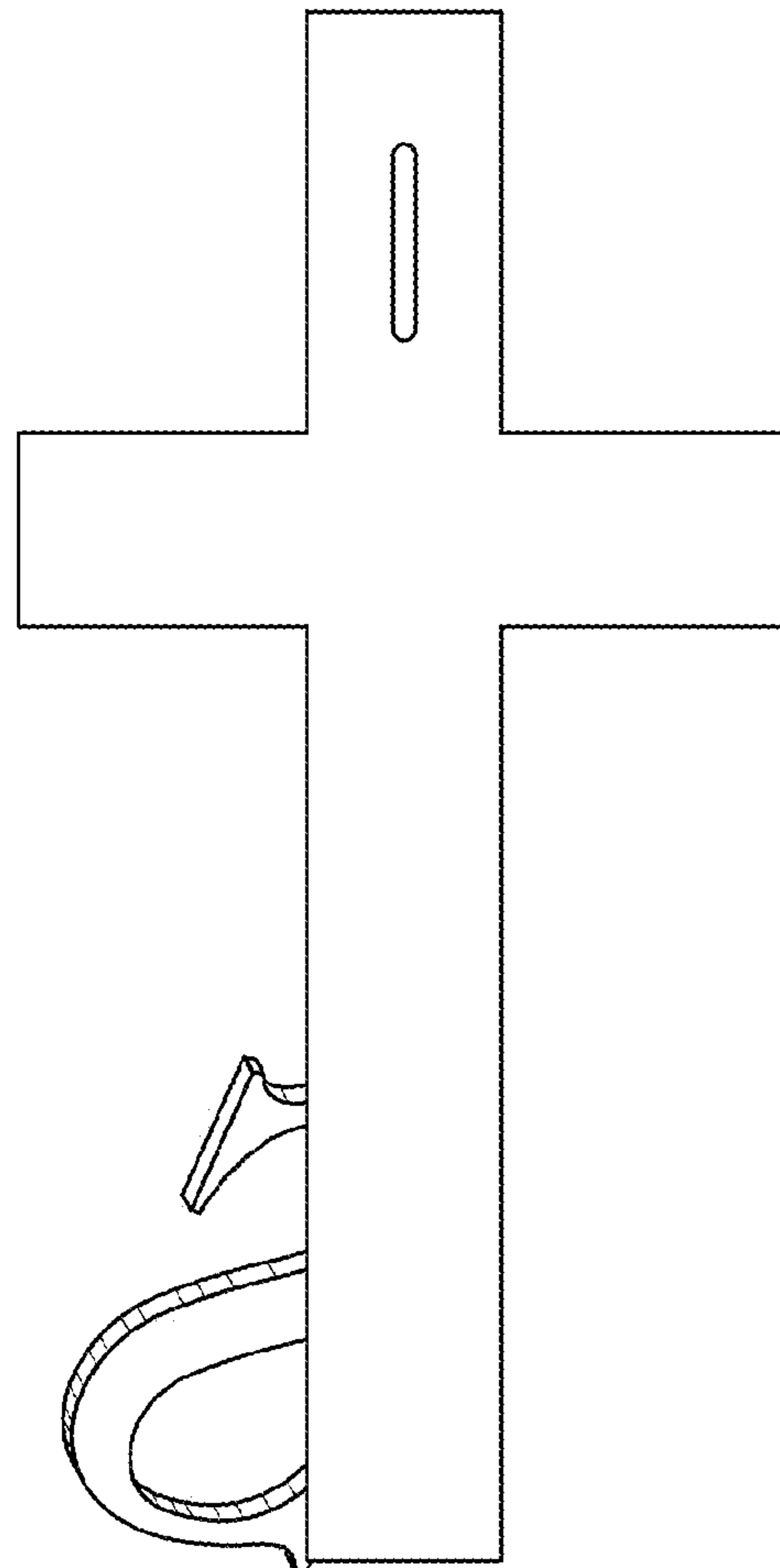


FIG. 129

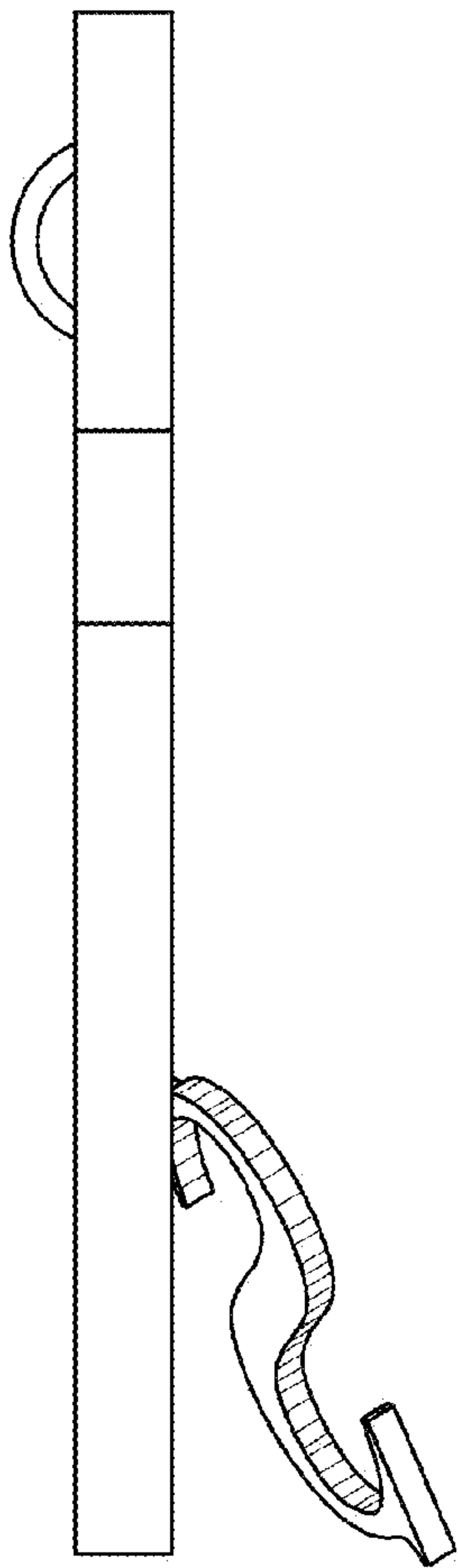


FIG. 130

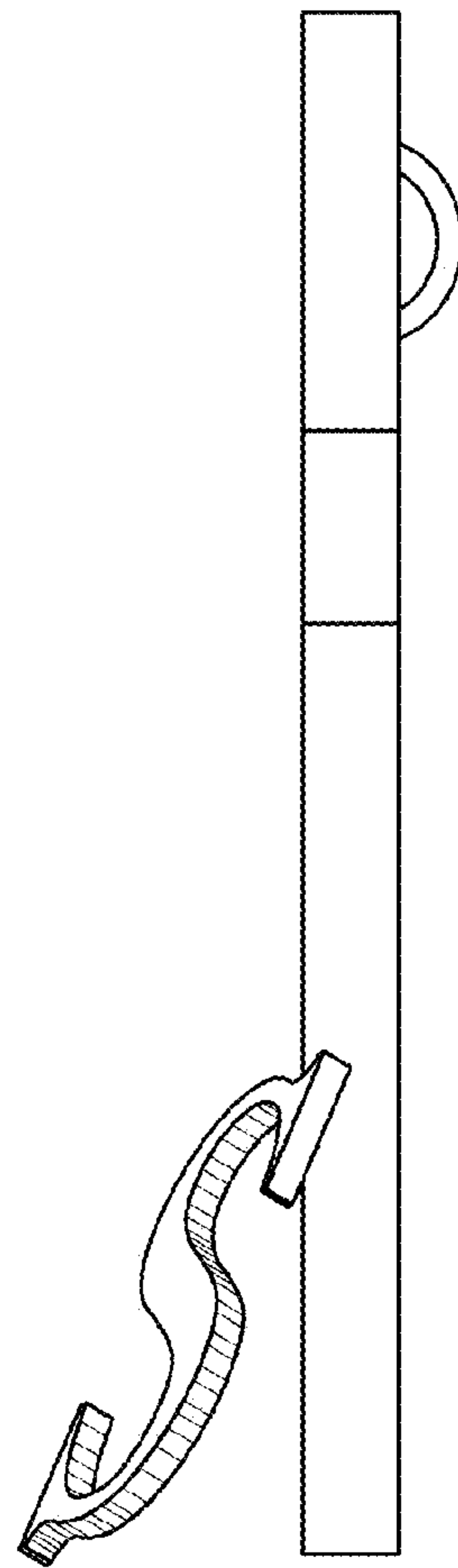


FIG. 131

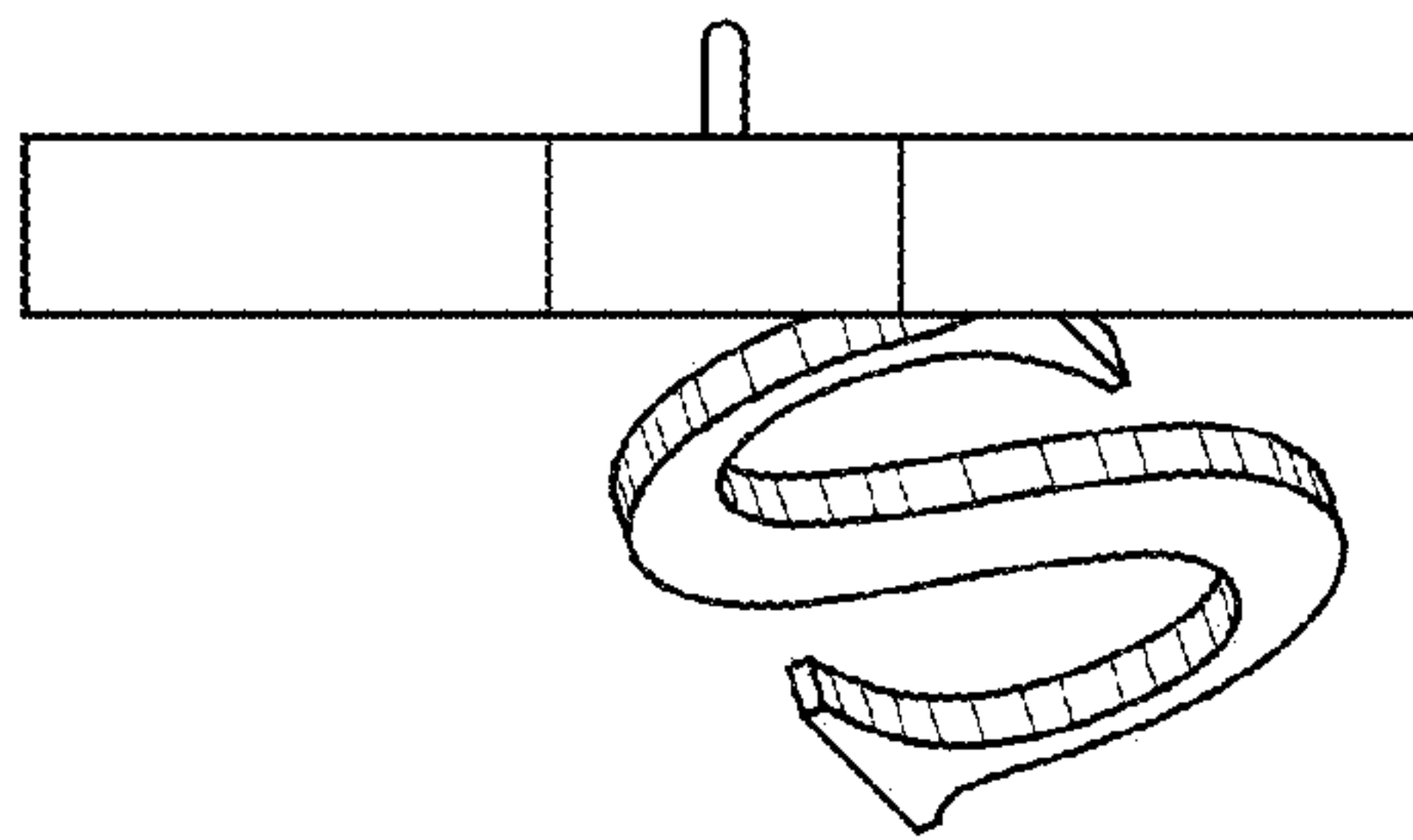


FIG. 132

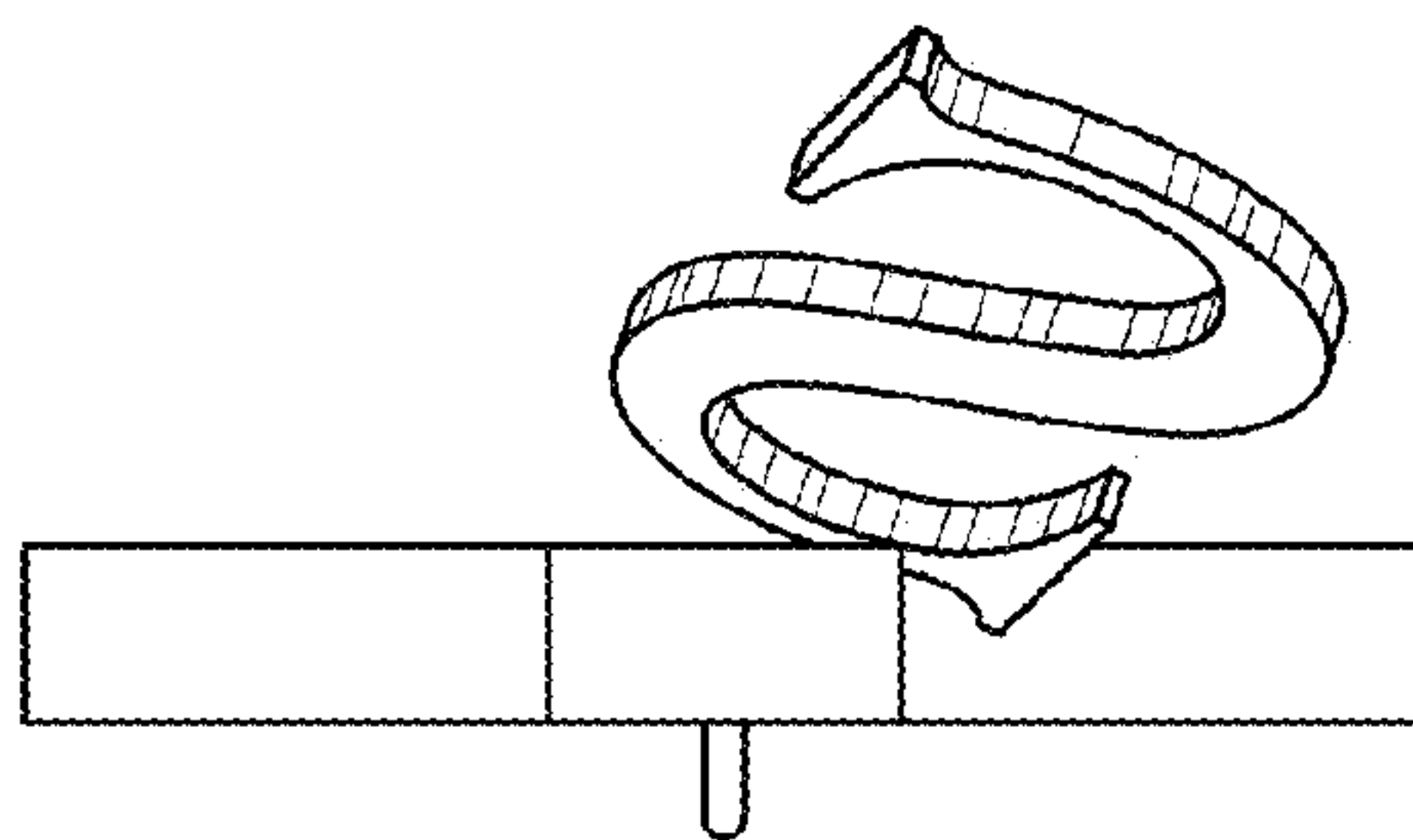


FIG. 133

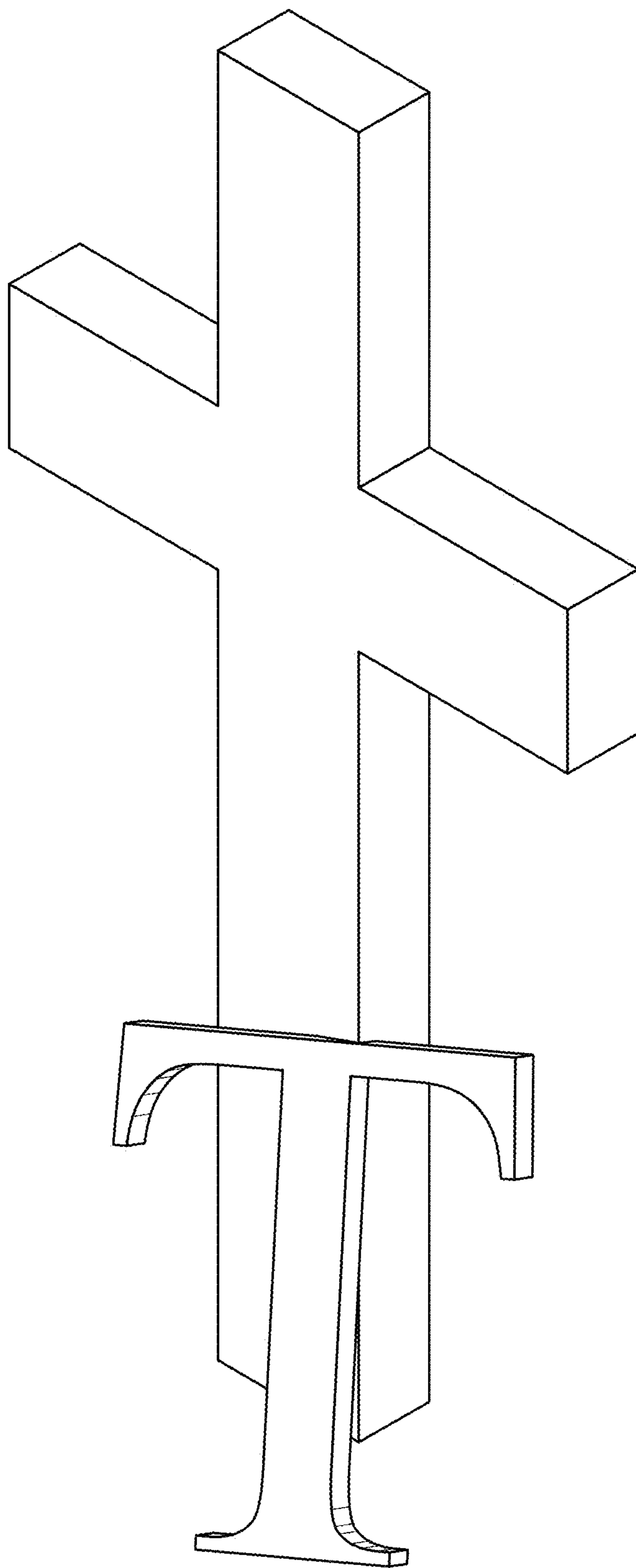


FIG. 134

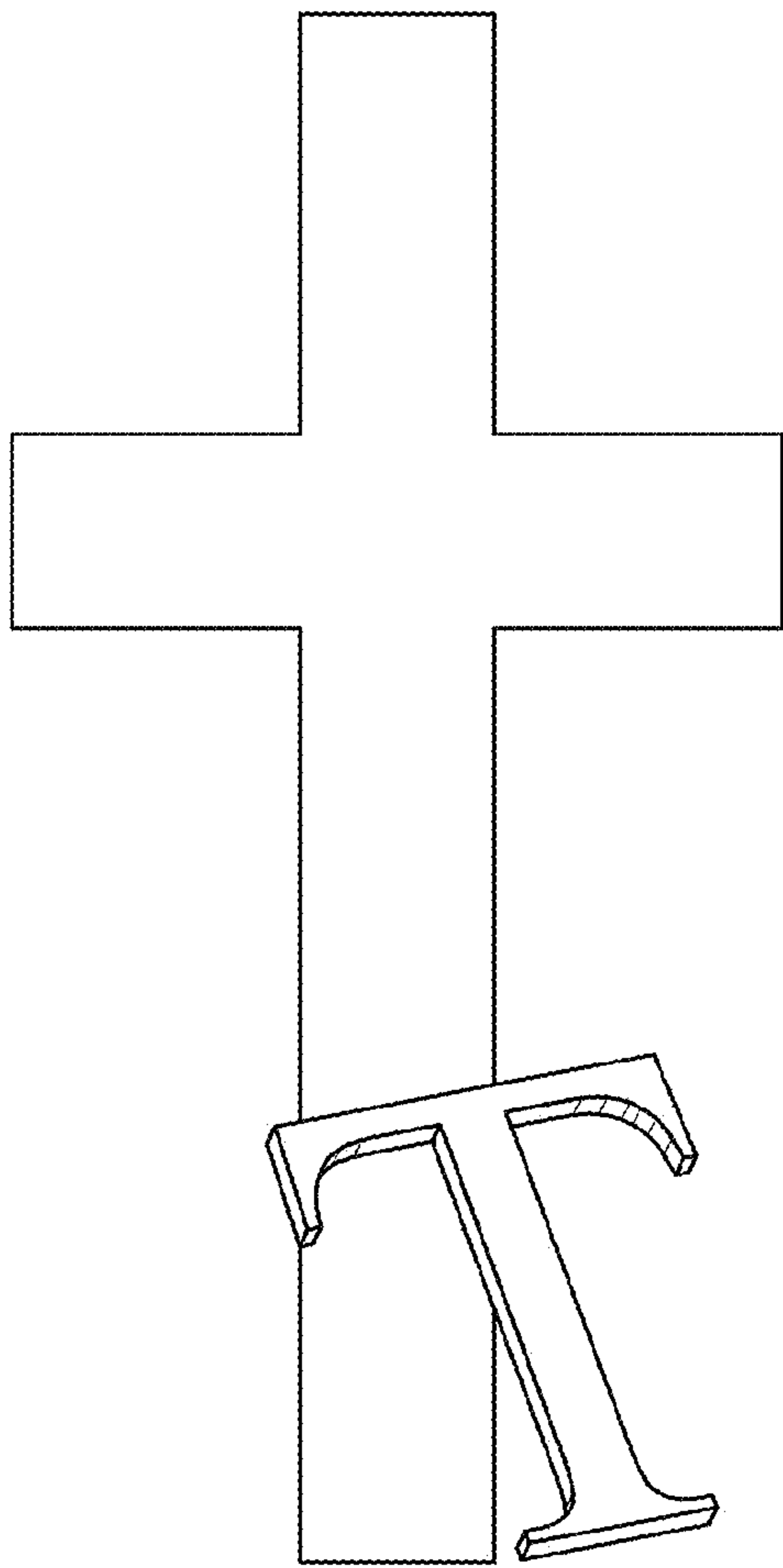


FIG. 135

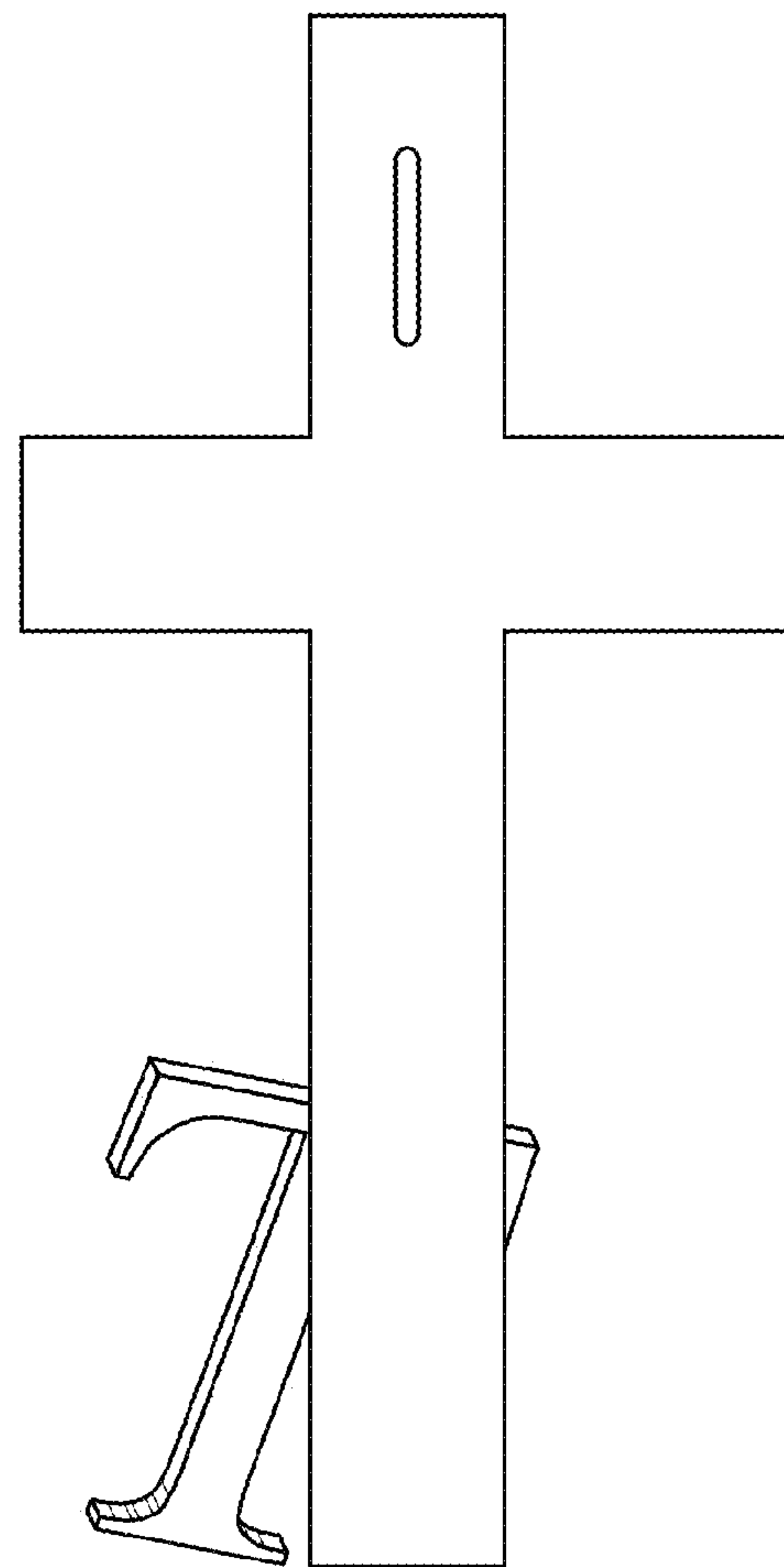


FIG. 136

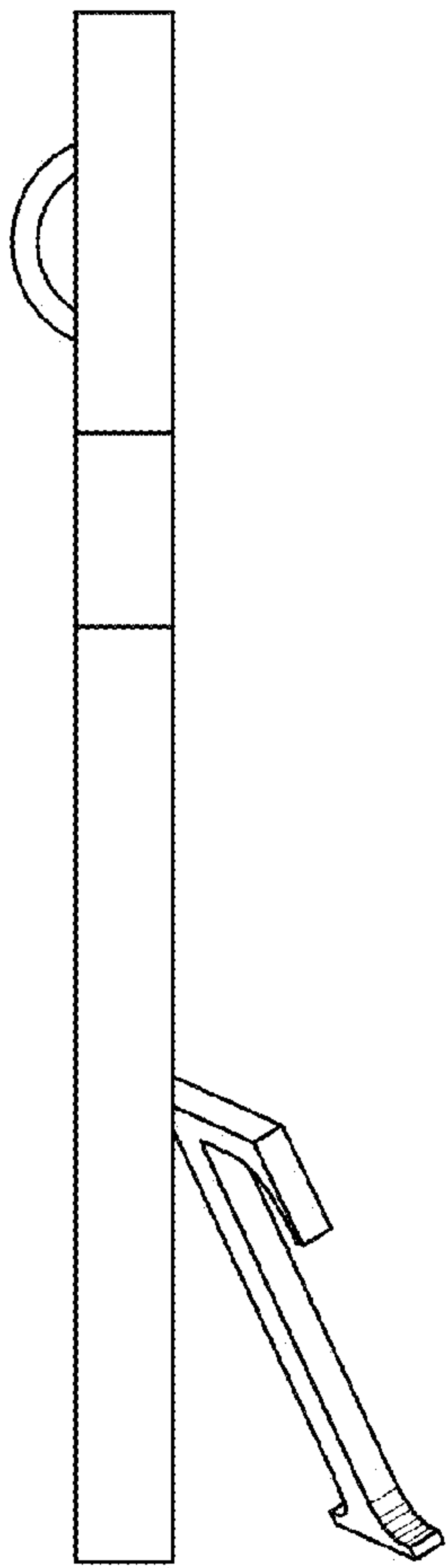


FIG. 137

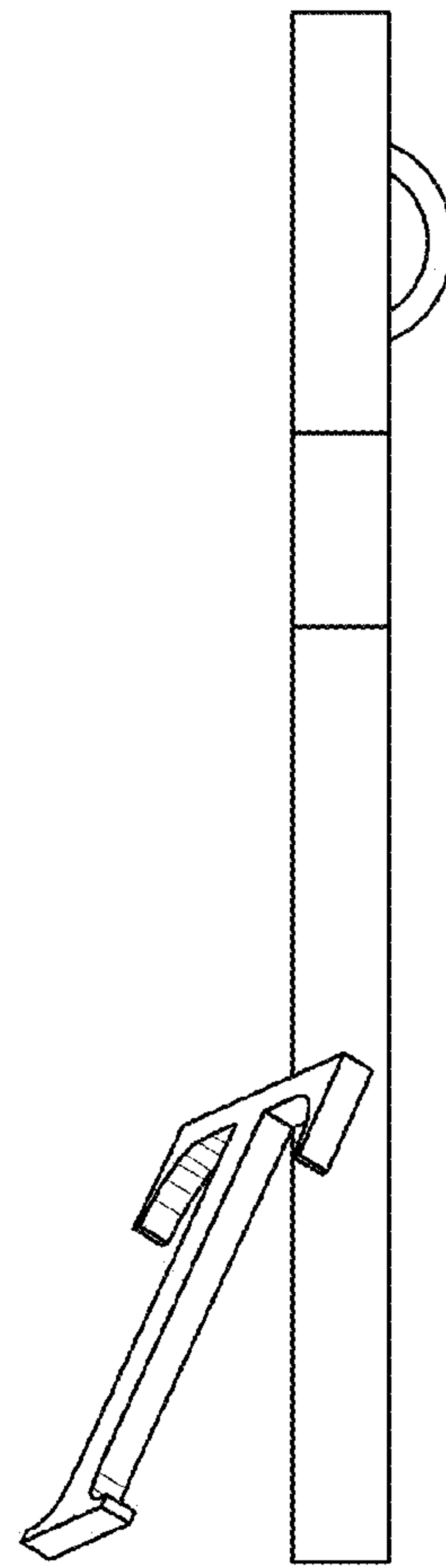


FIG. 138

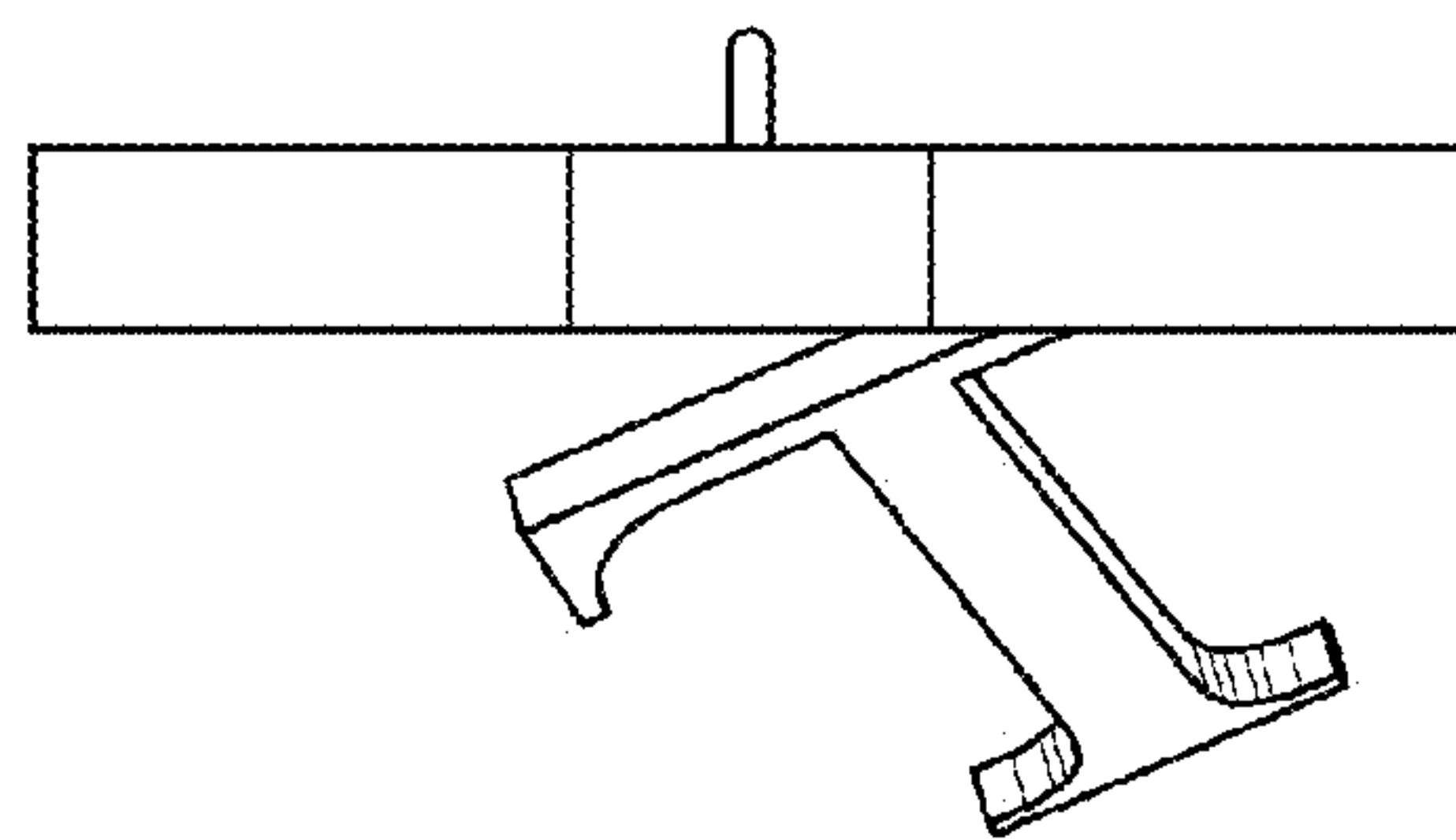


FIG. 139

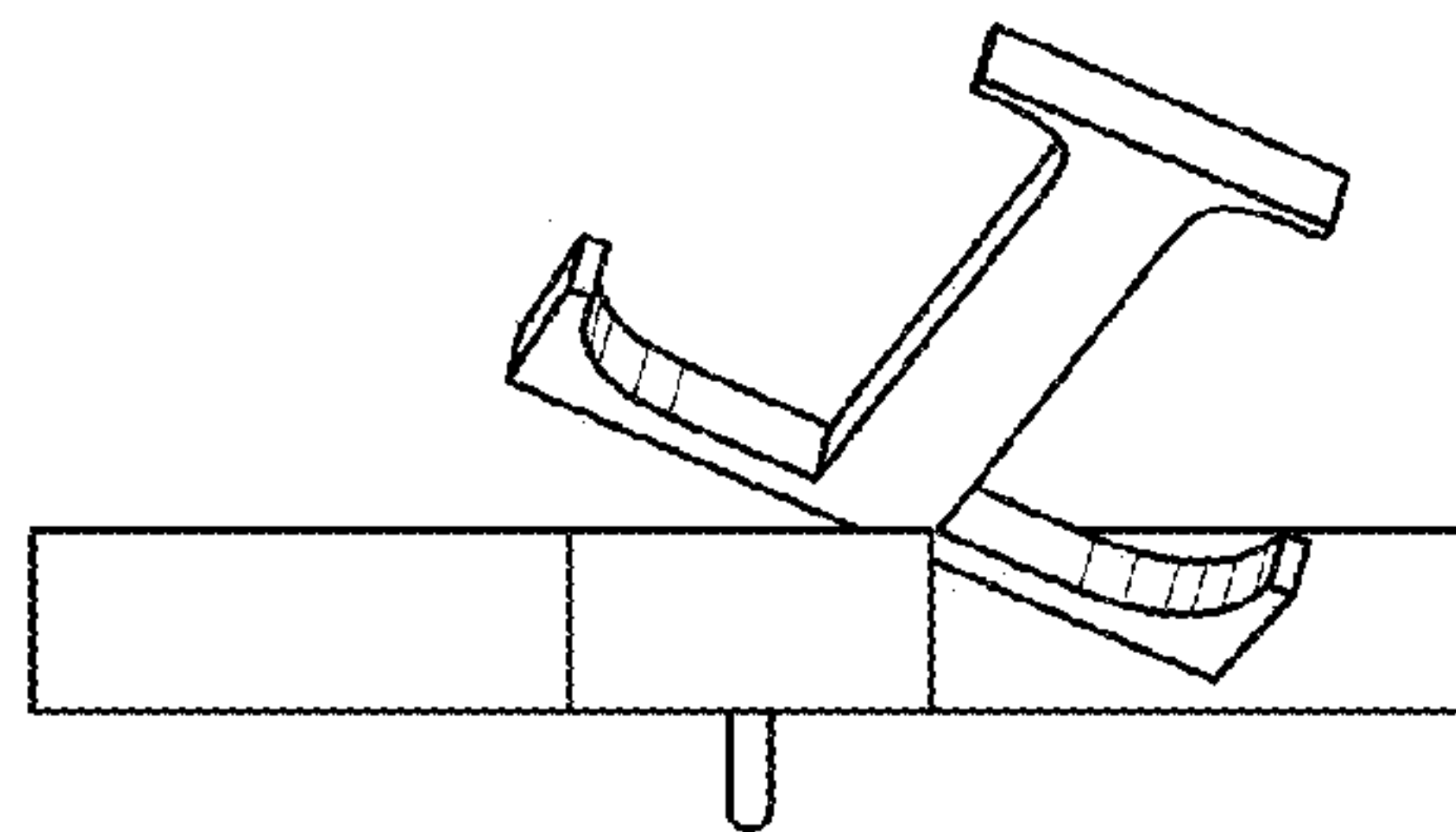


FIG. 140

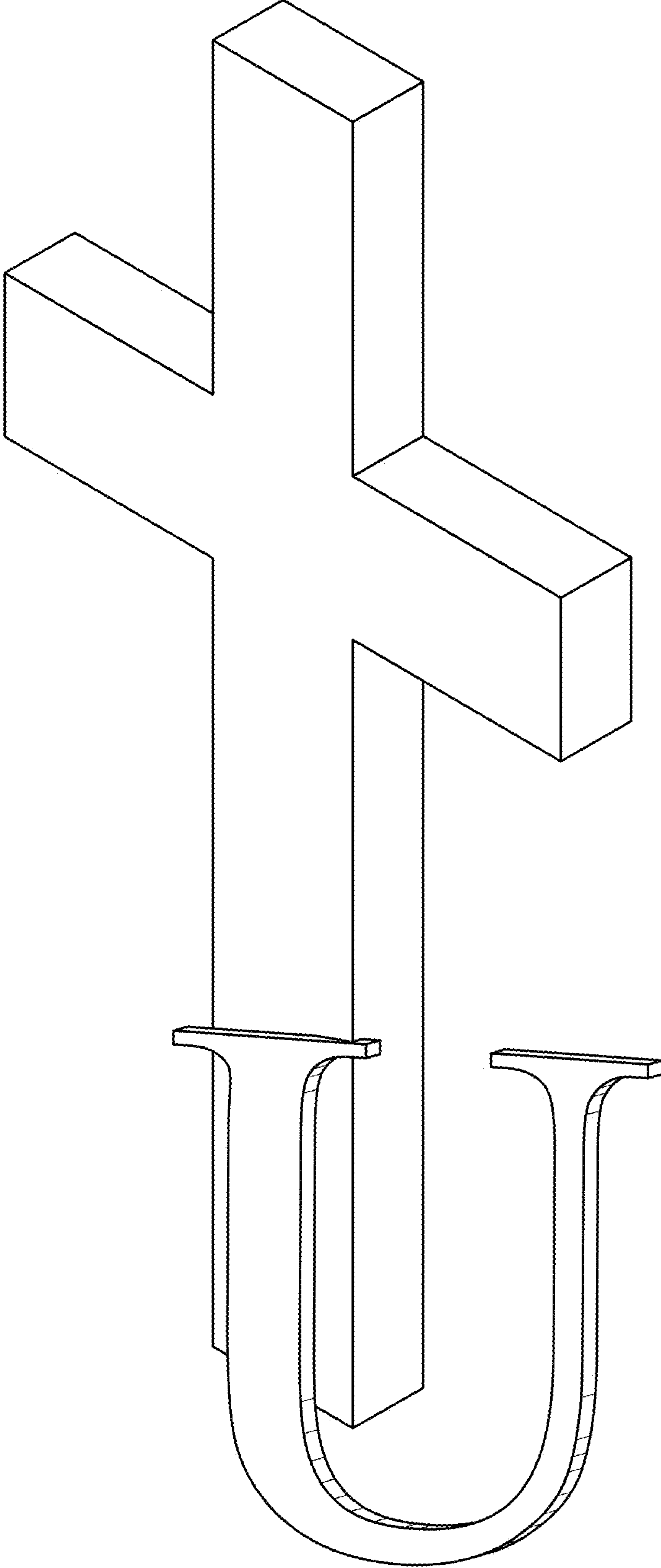


FIG. 141

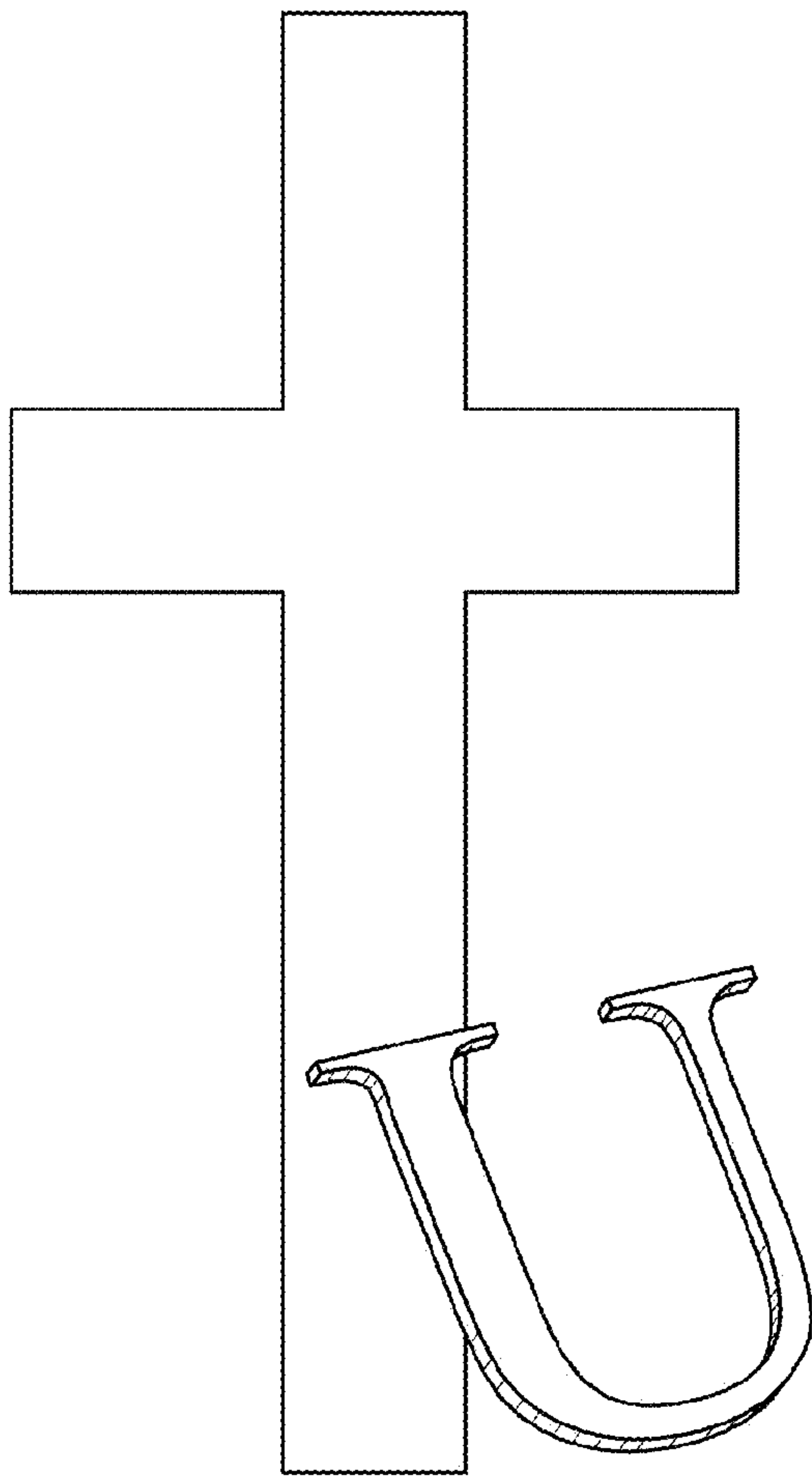


FIG. 142

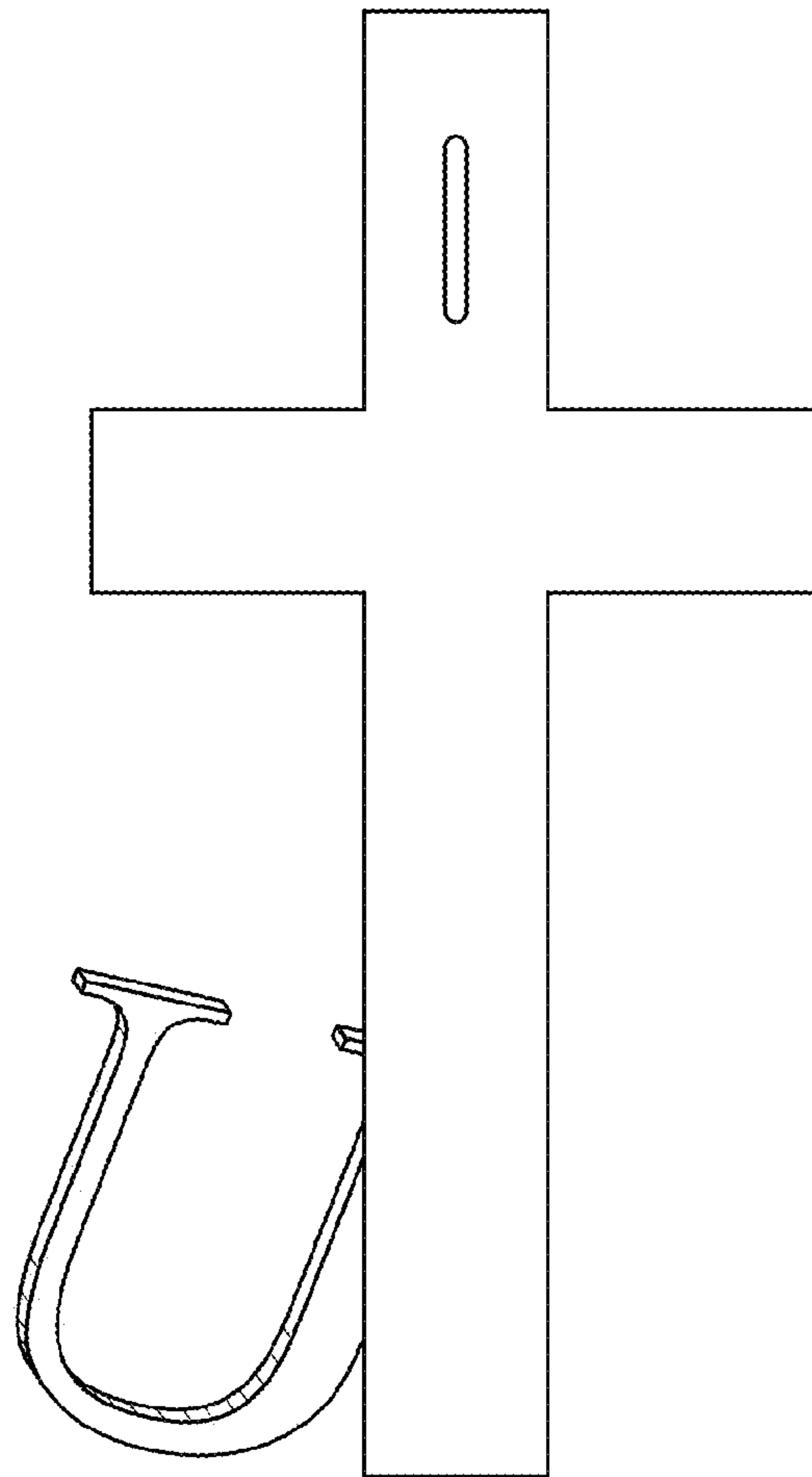


FIG. 143

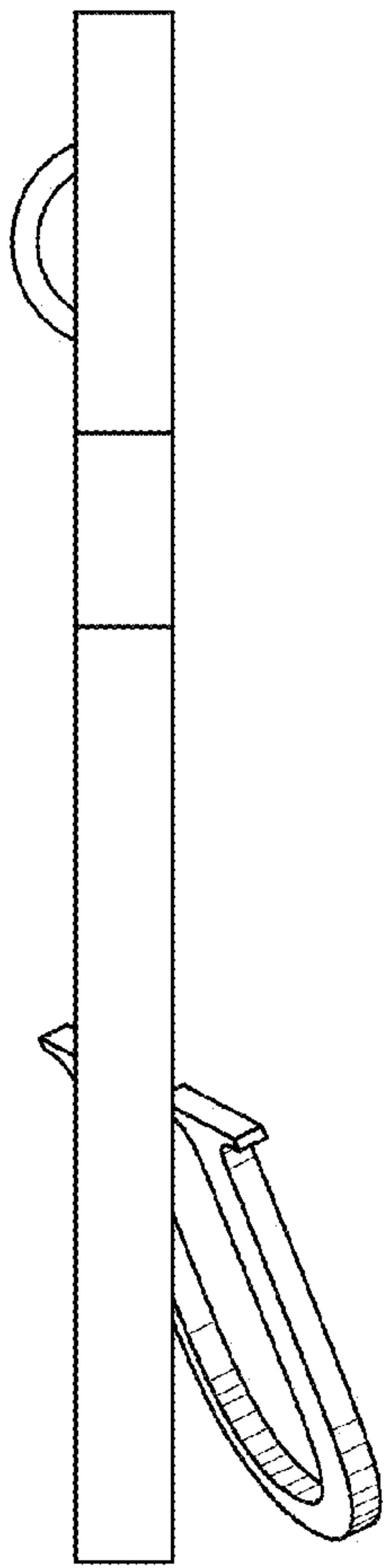


FIG. 144

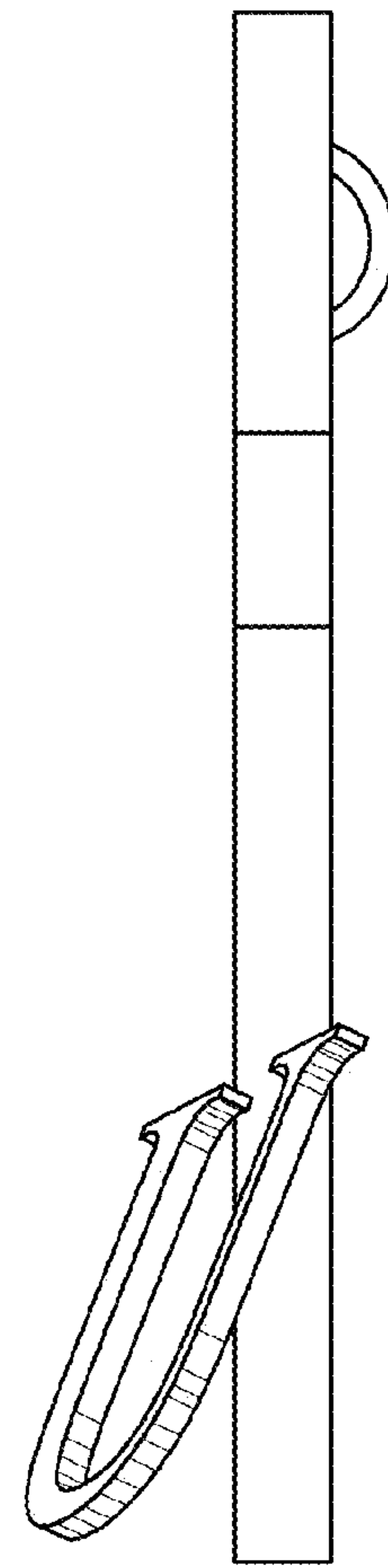


FIG. 145

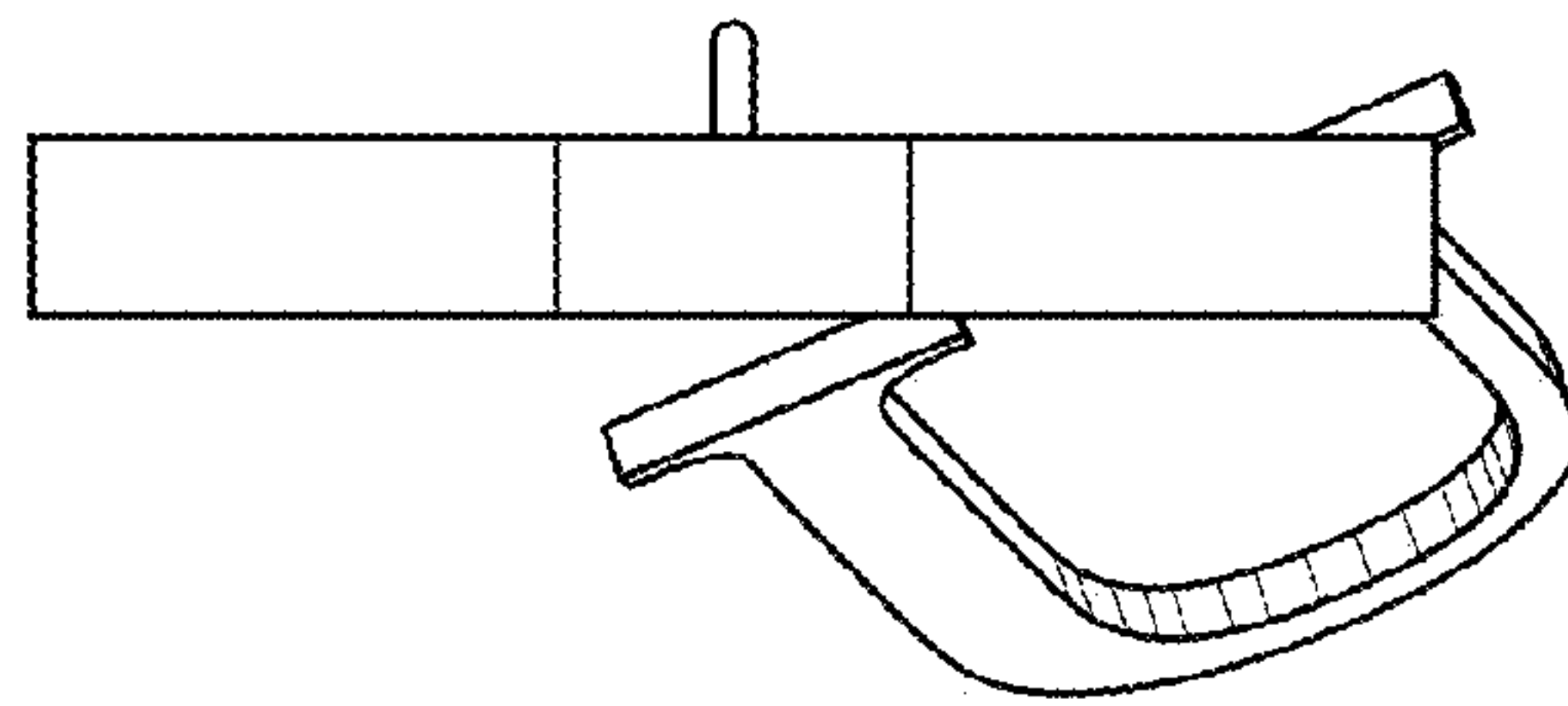


FIG. 146

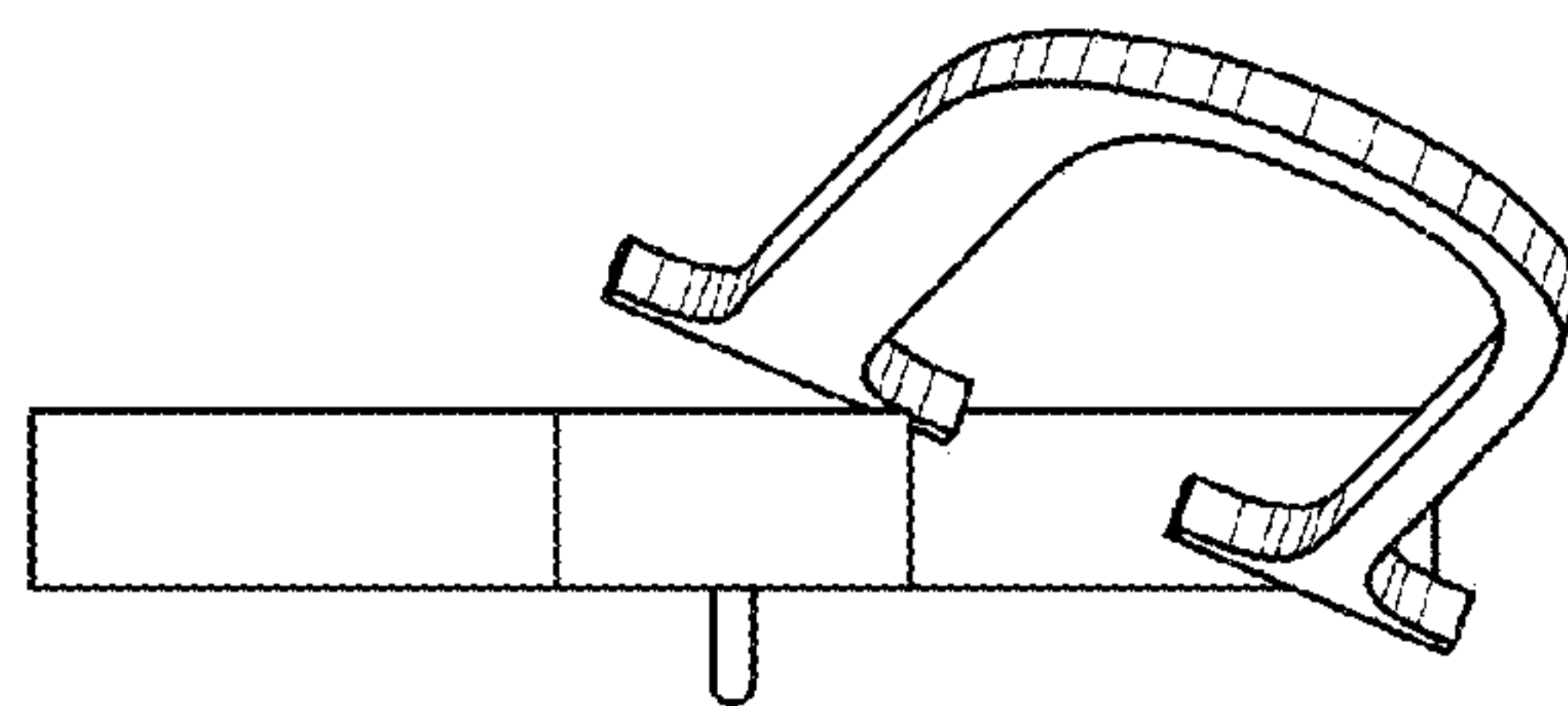


FIG. 147

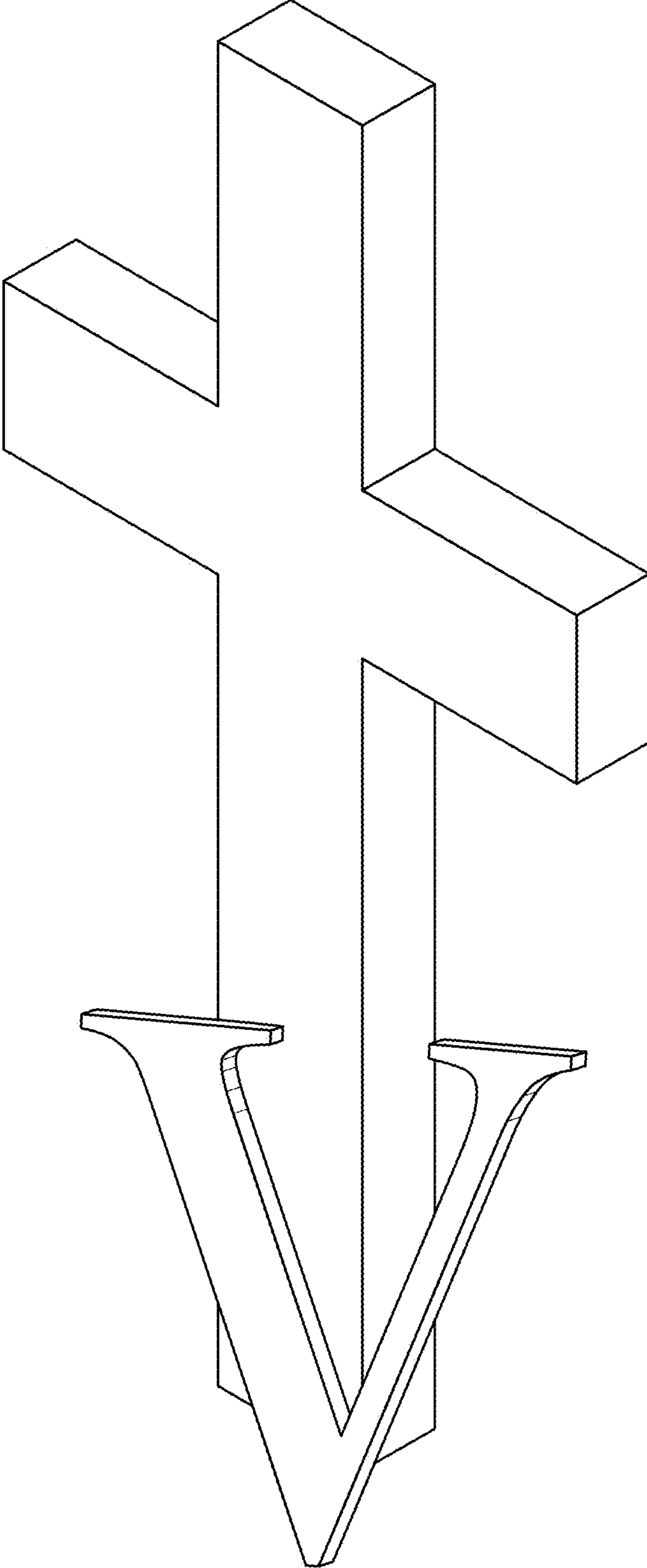


FIG. 148

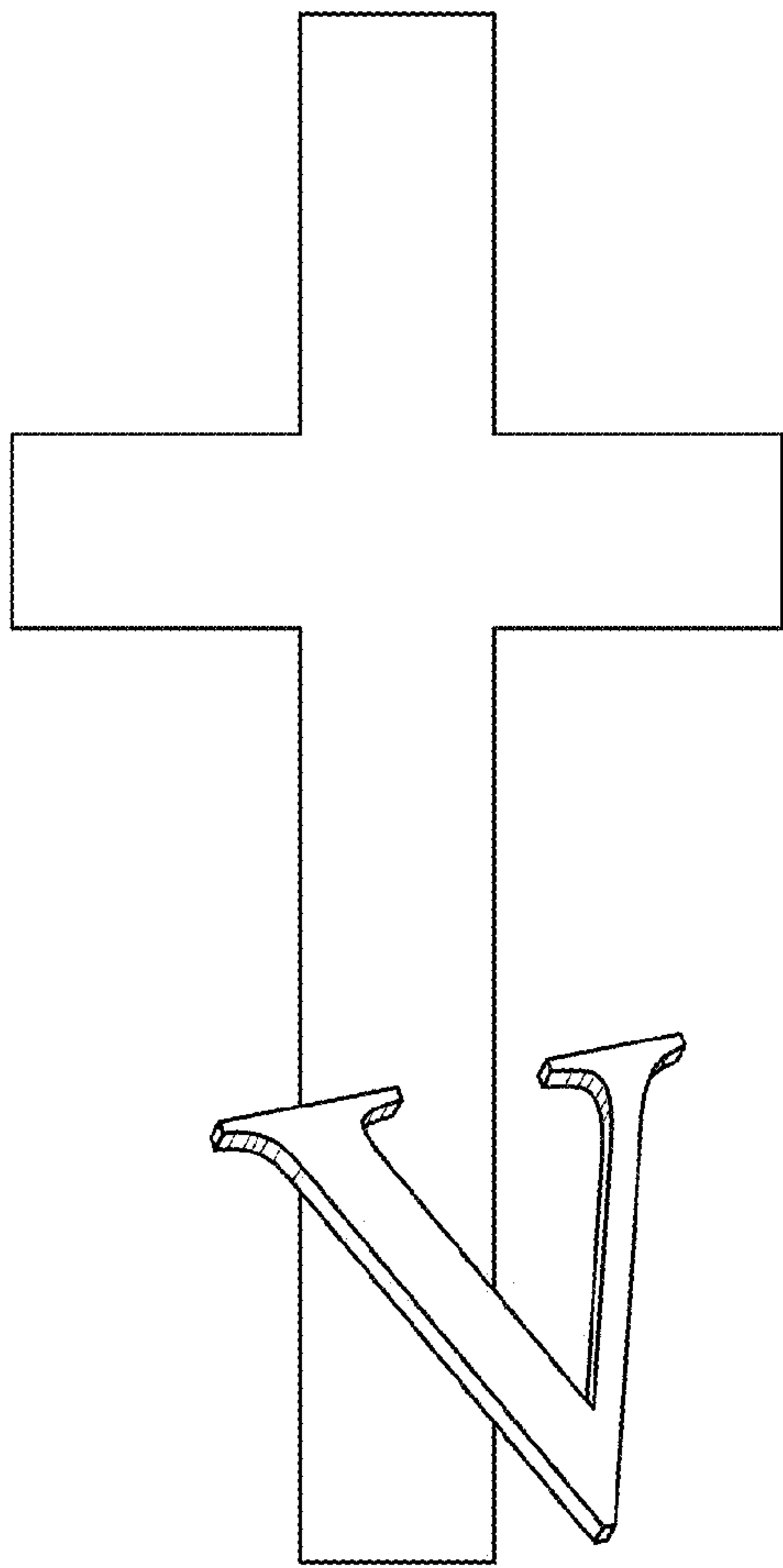


FIG. 149

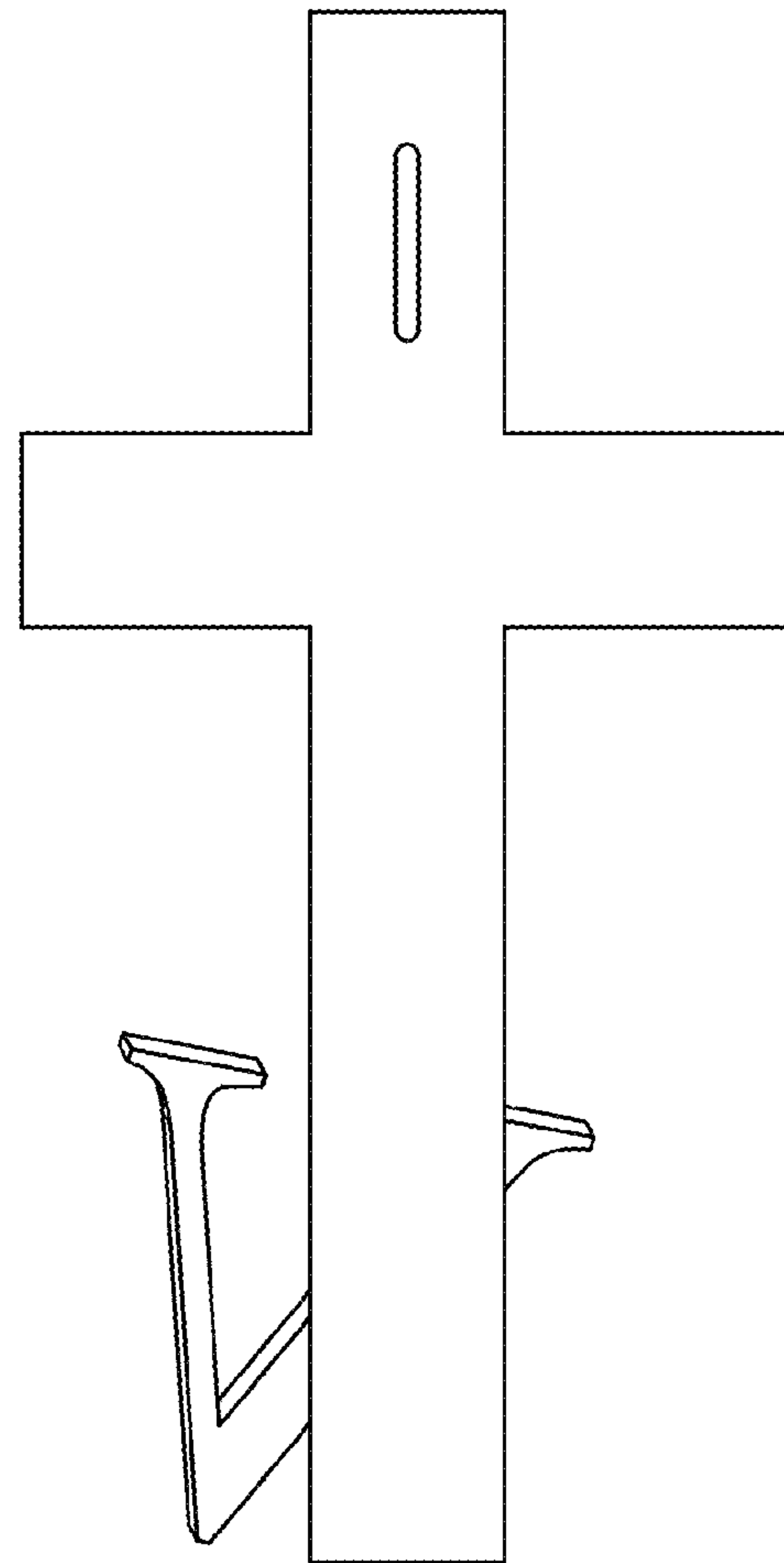


FIG. 150

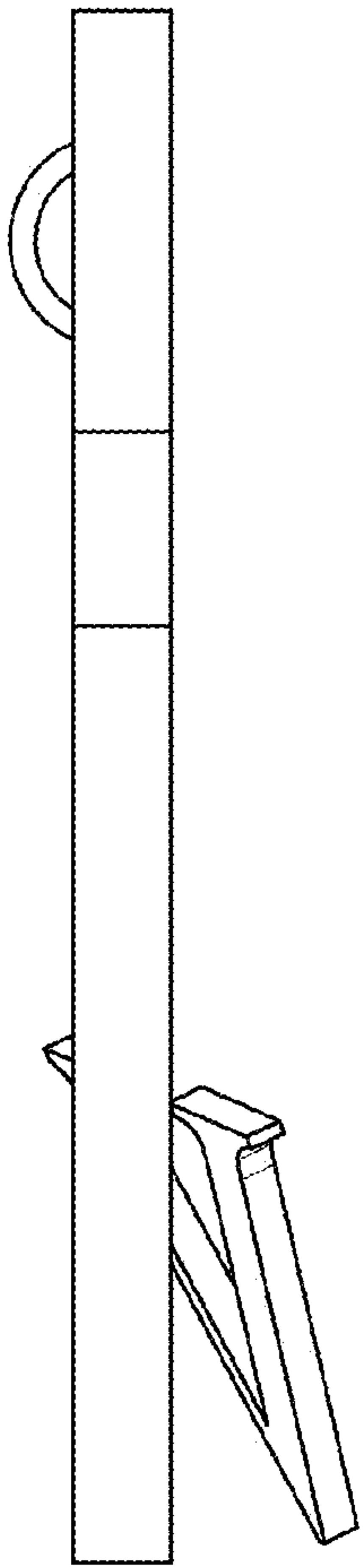


FIG. 151

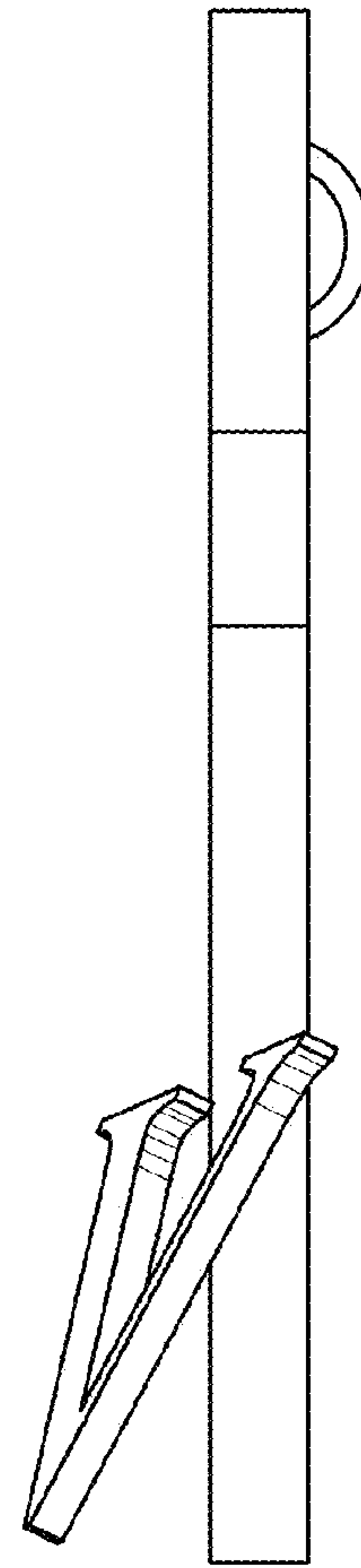


FIG. 152

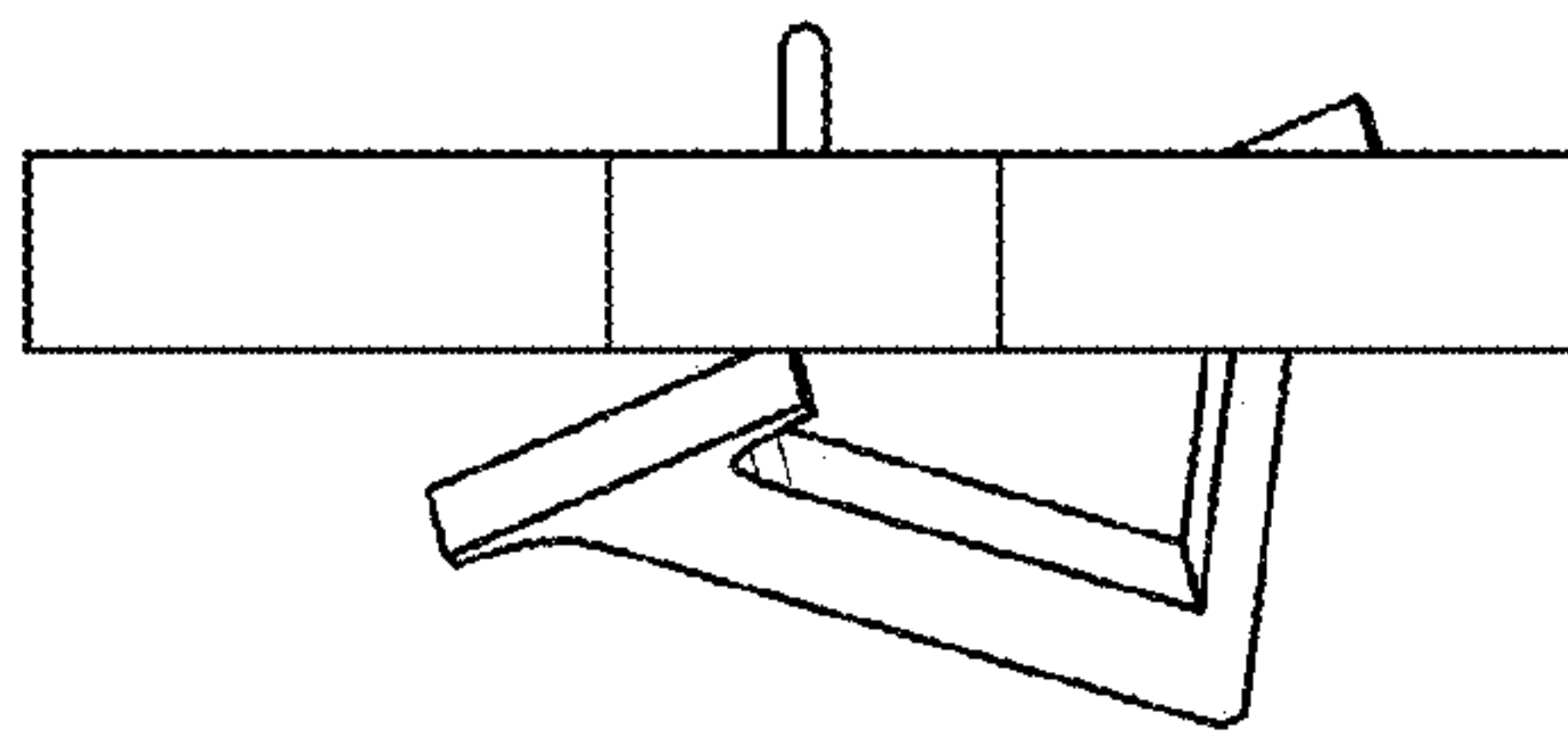


FIG. 153

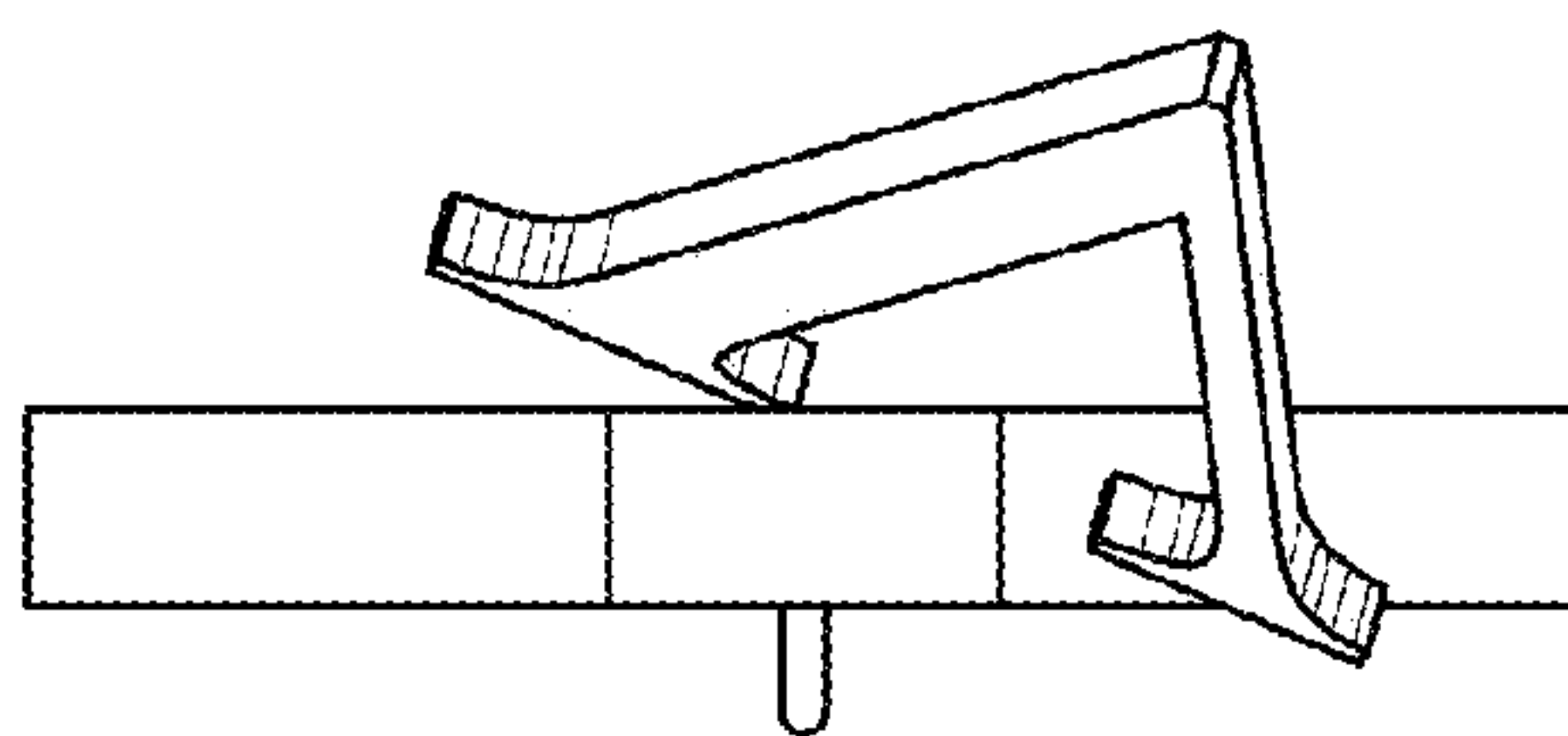


FIG. 154

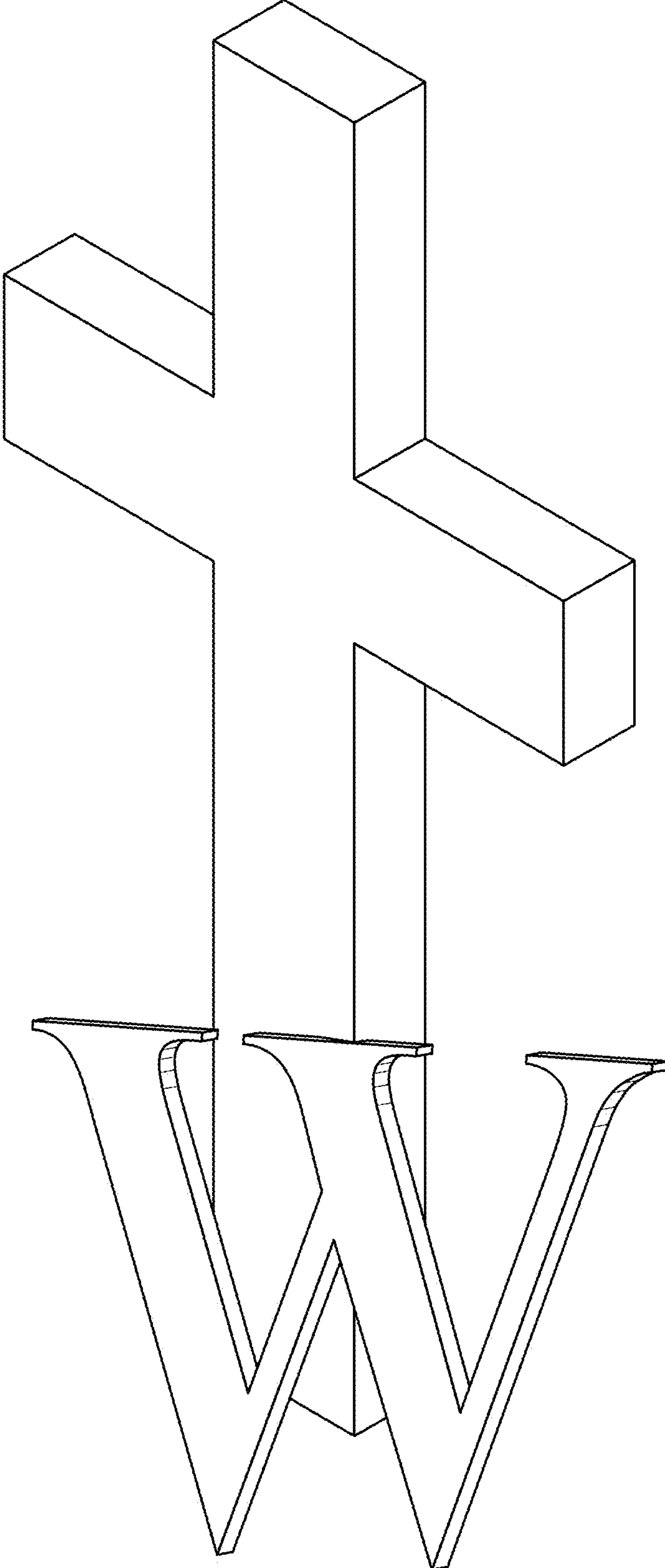


FIG. 155

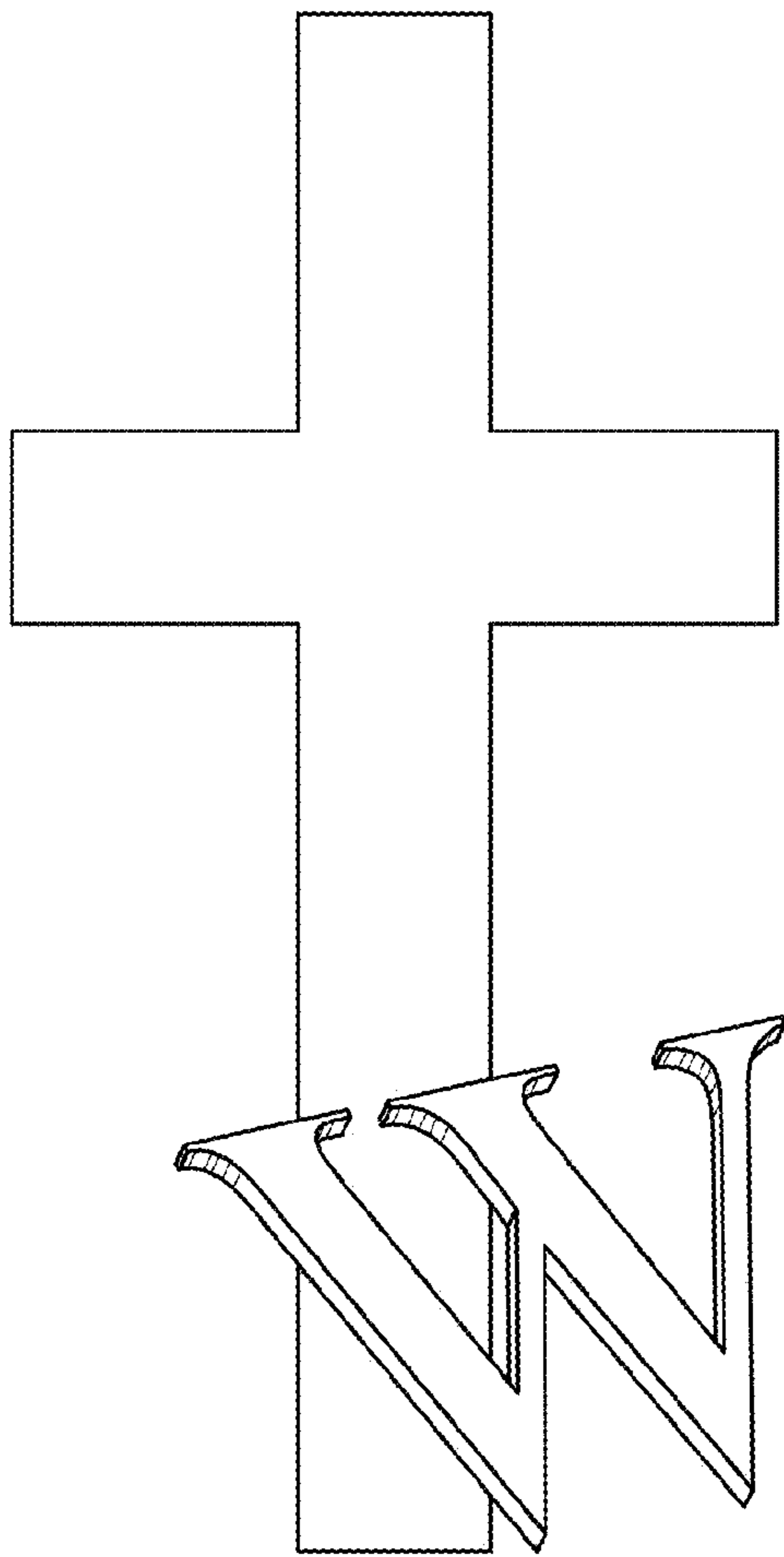


FIG. 156

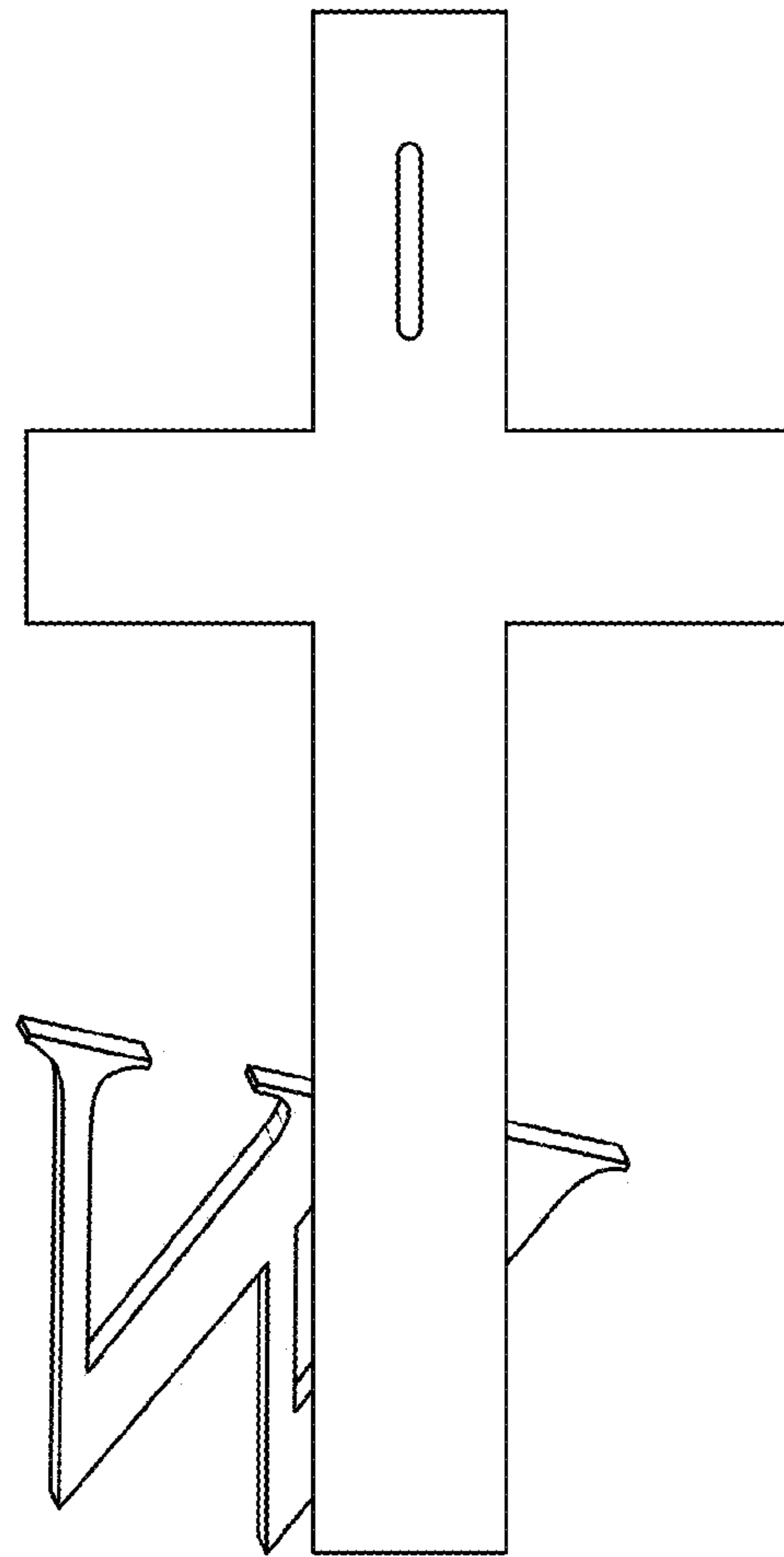


FIG. 157

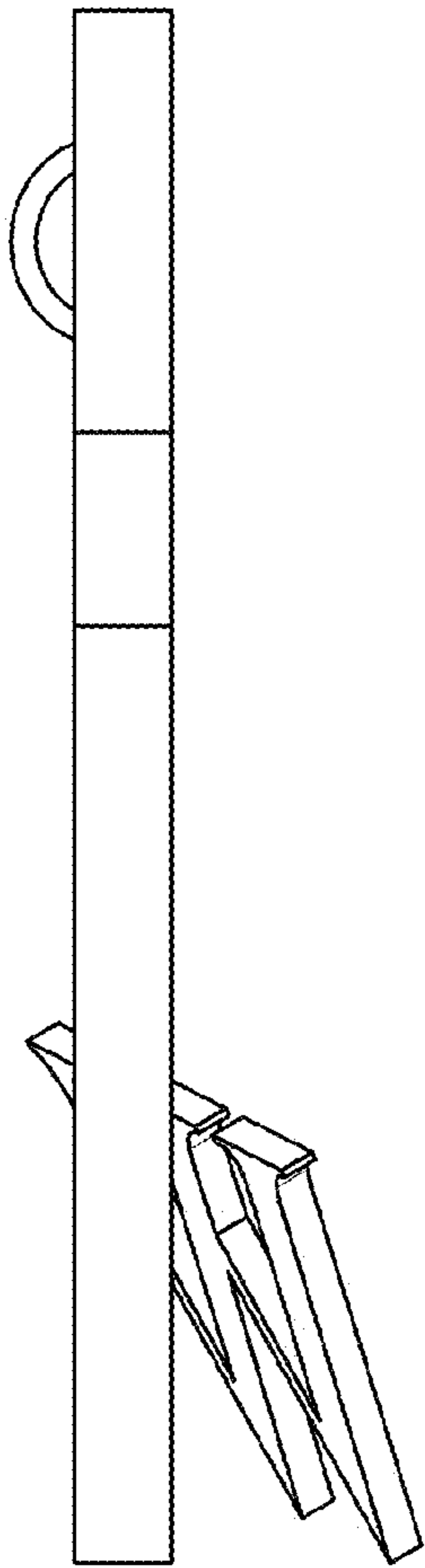


FIG. 158

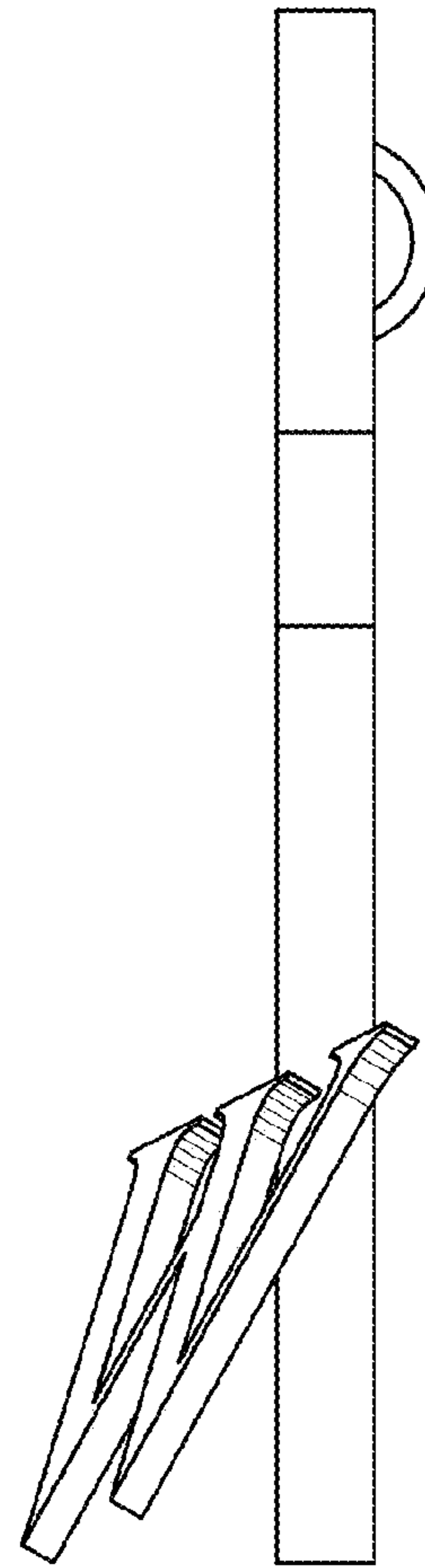


FIG. 159

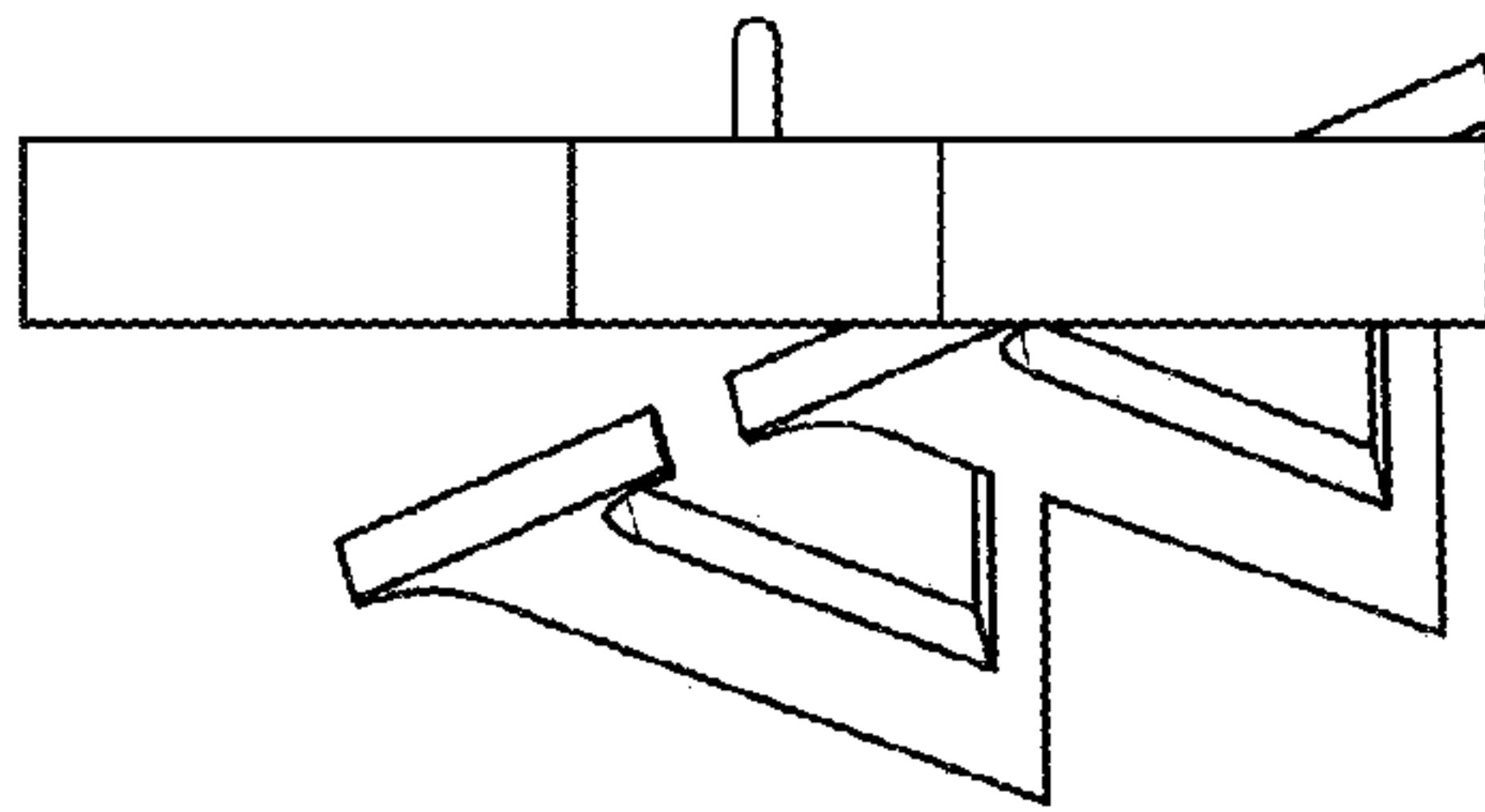


FIG. 160

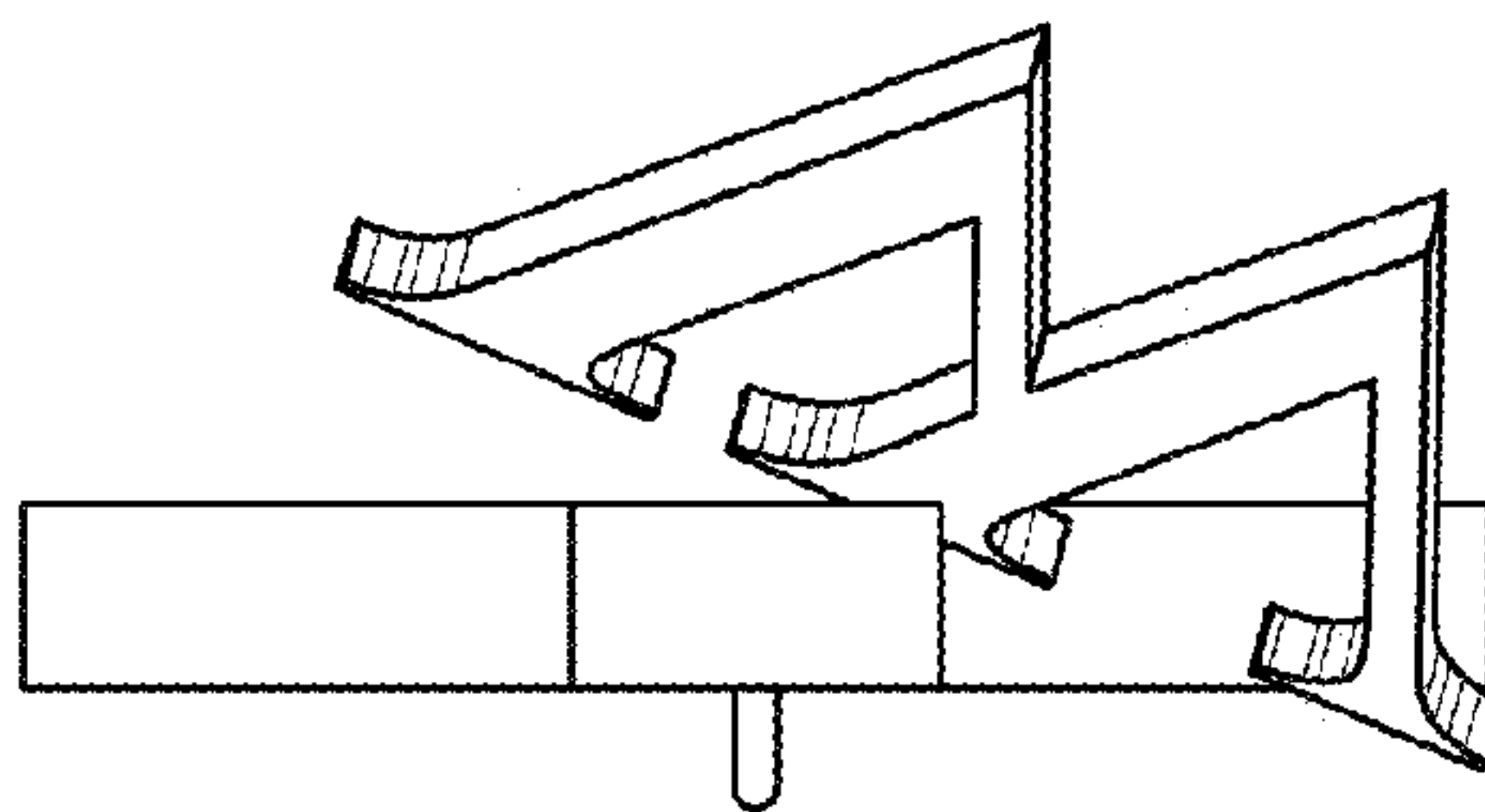


FIG. 161

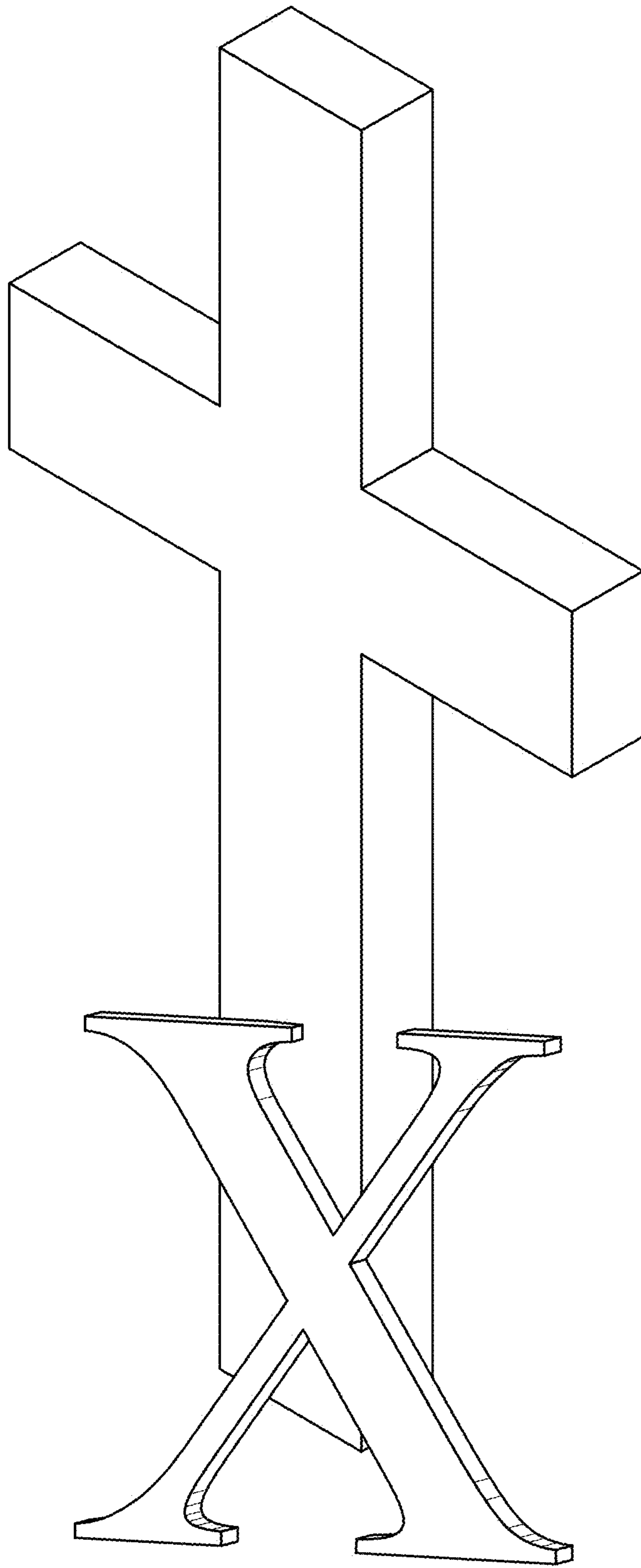


FIG. 162

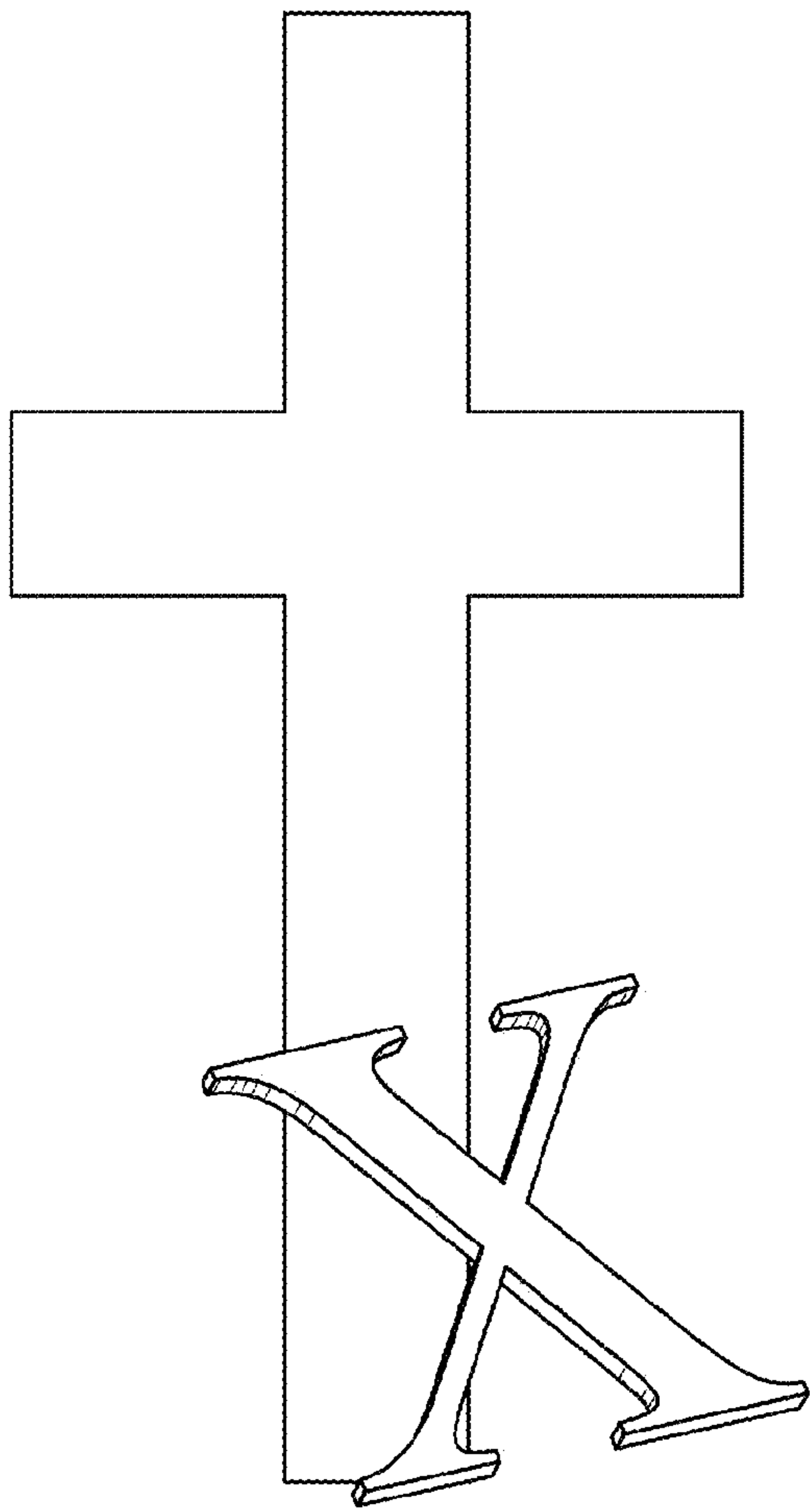


FIG. 163

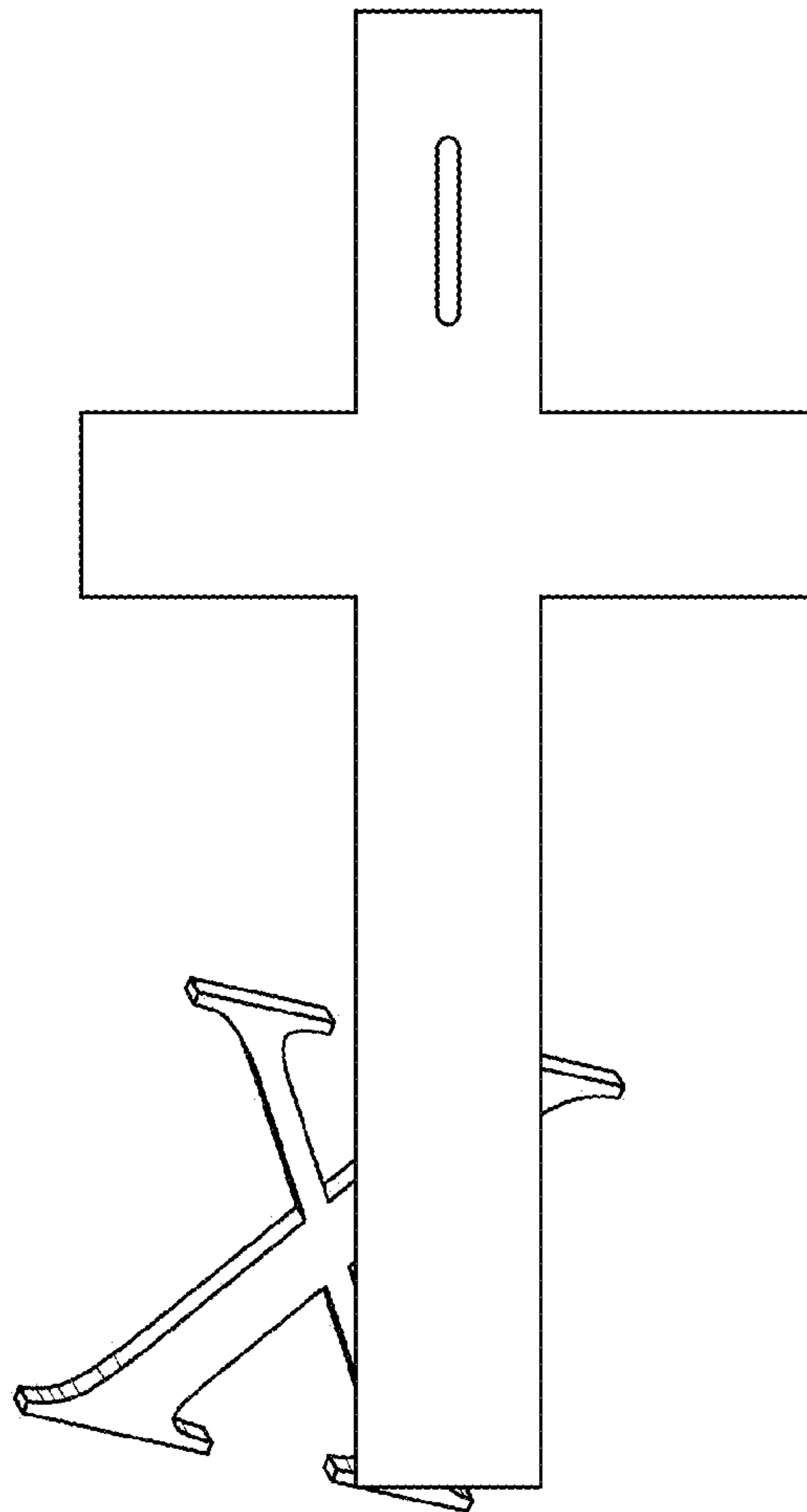


FIG. 164

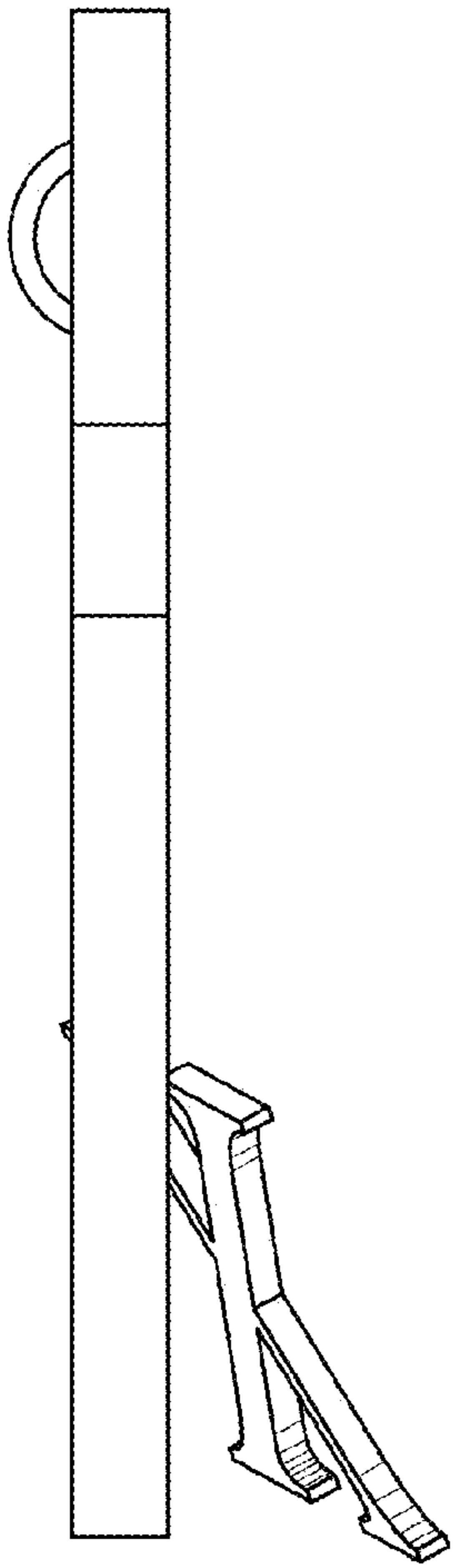


FIG. 165

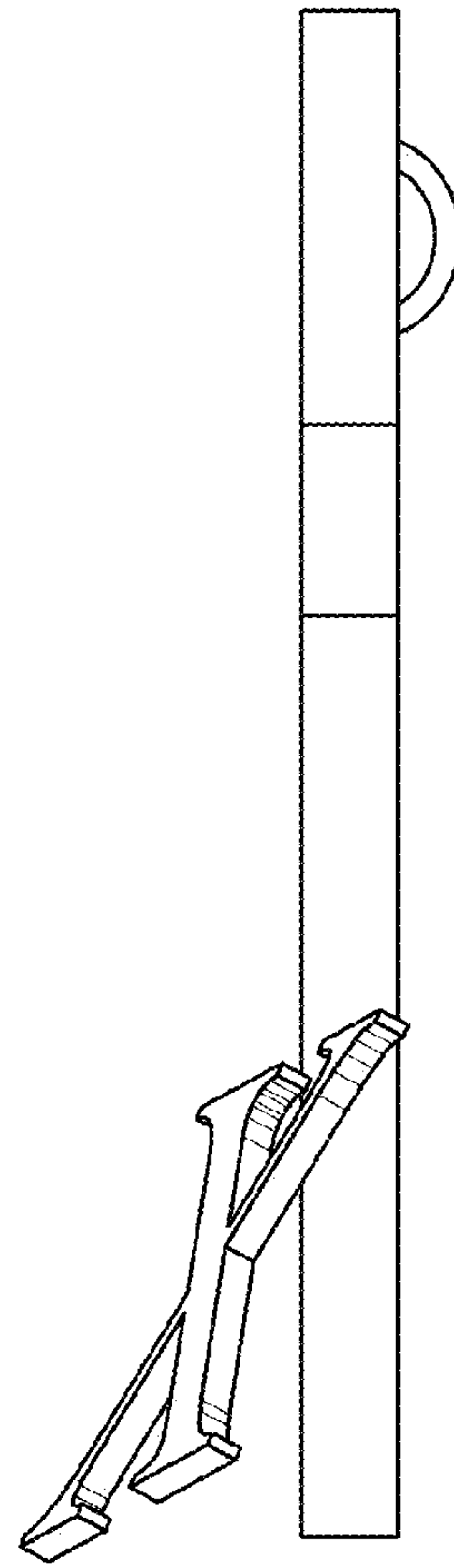


FIG. 166

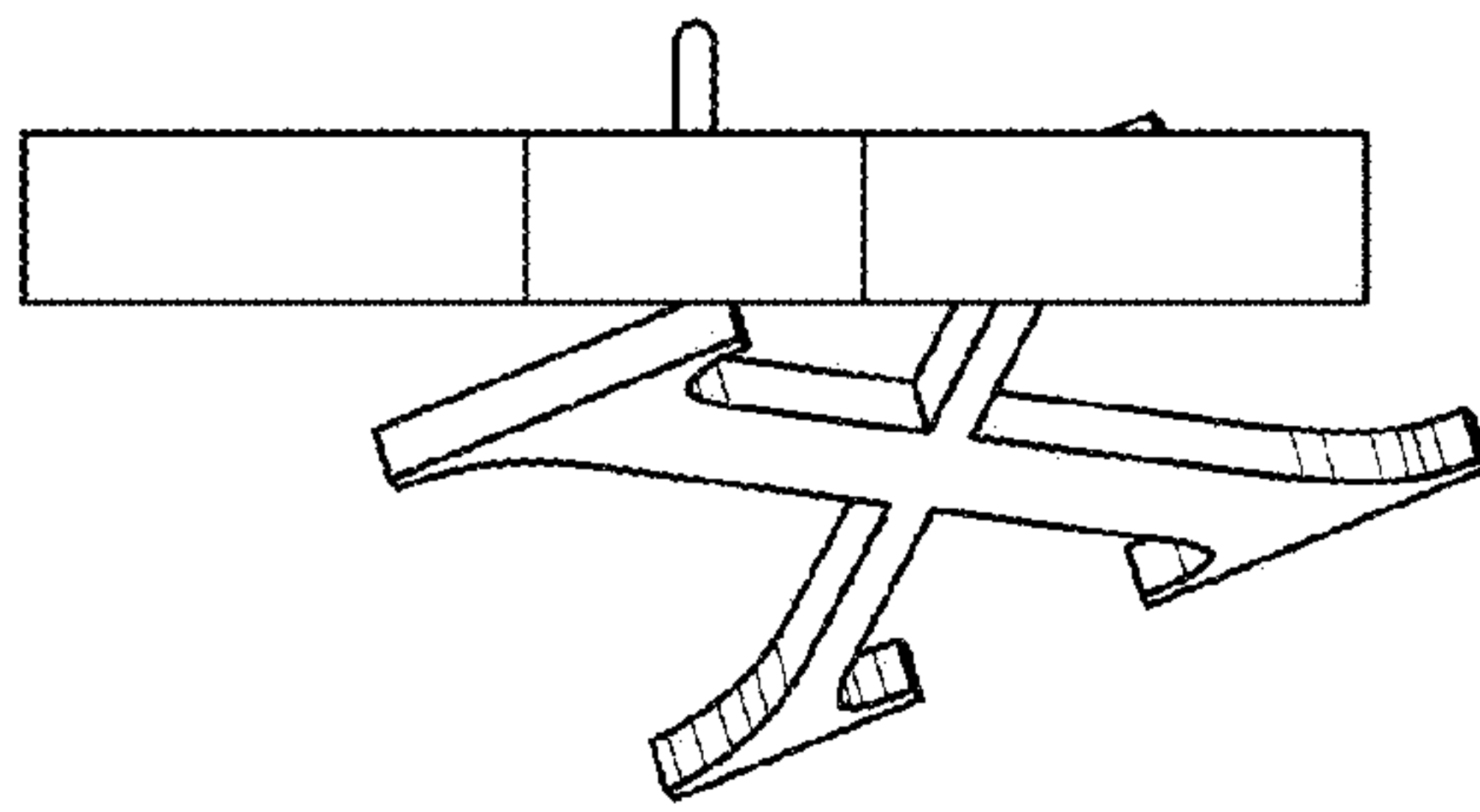


FIG. 167

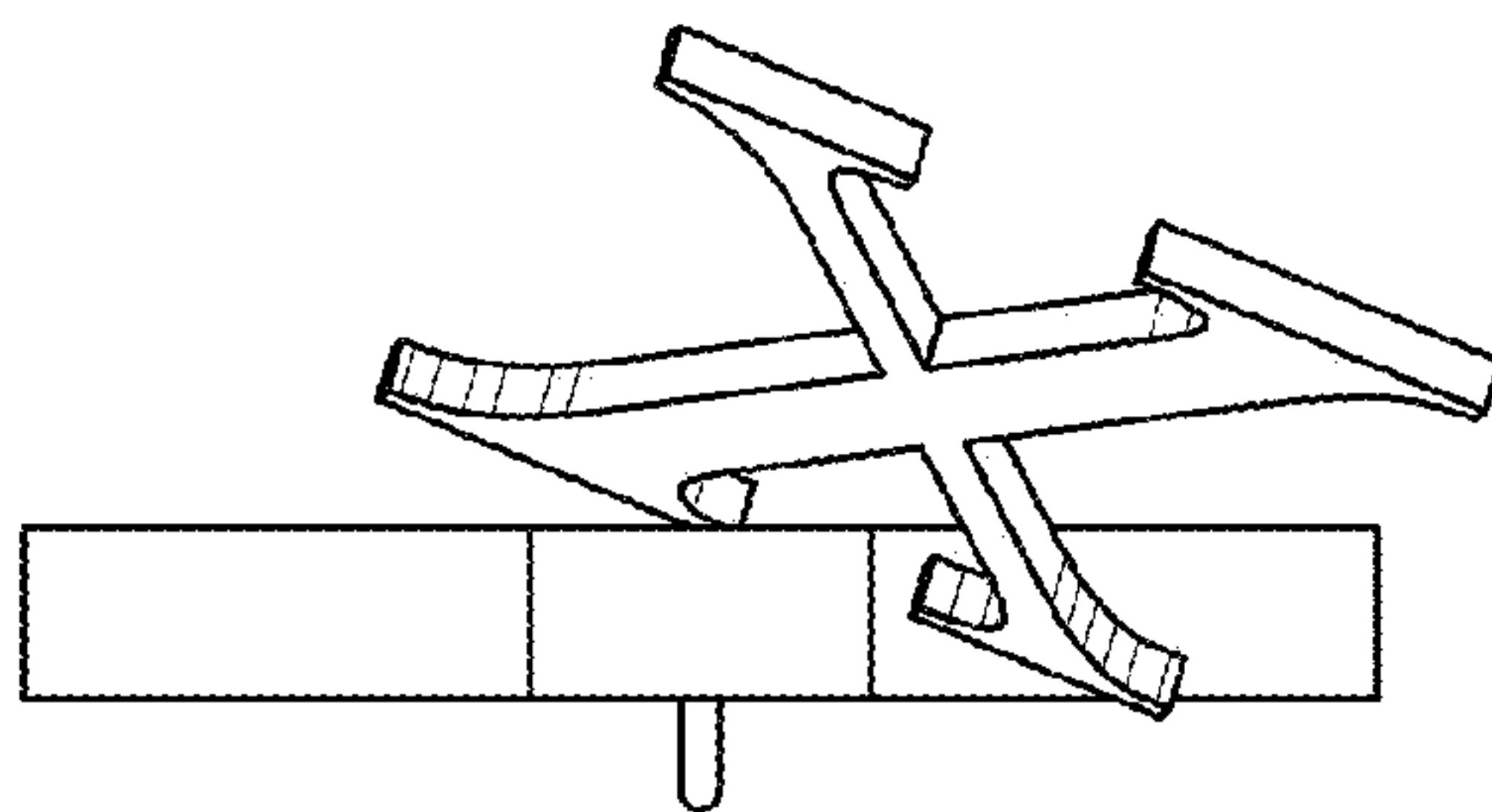


FIG. 168

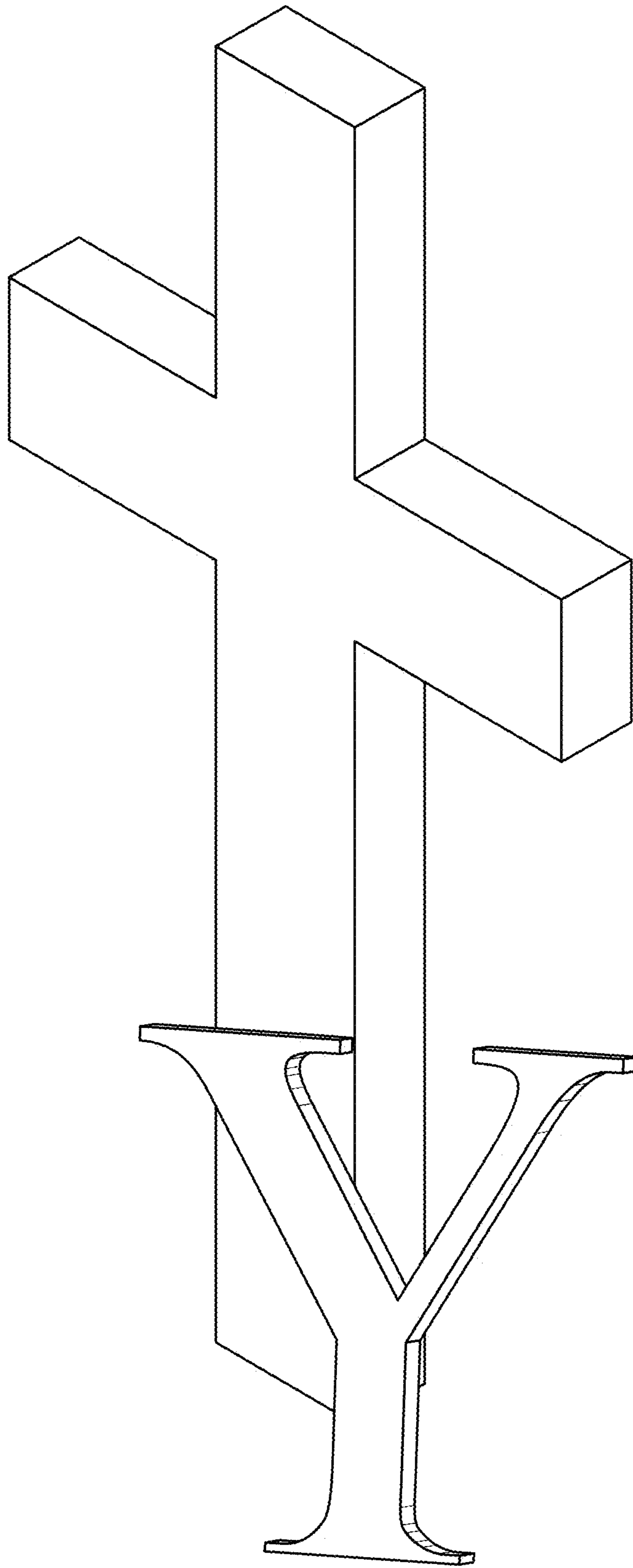


FIG. 169

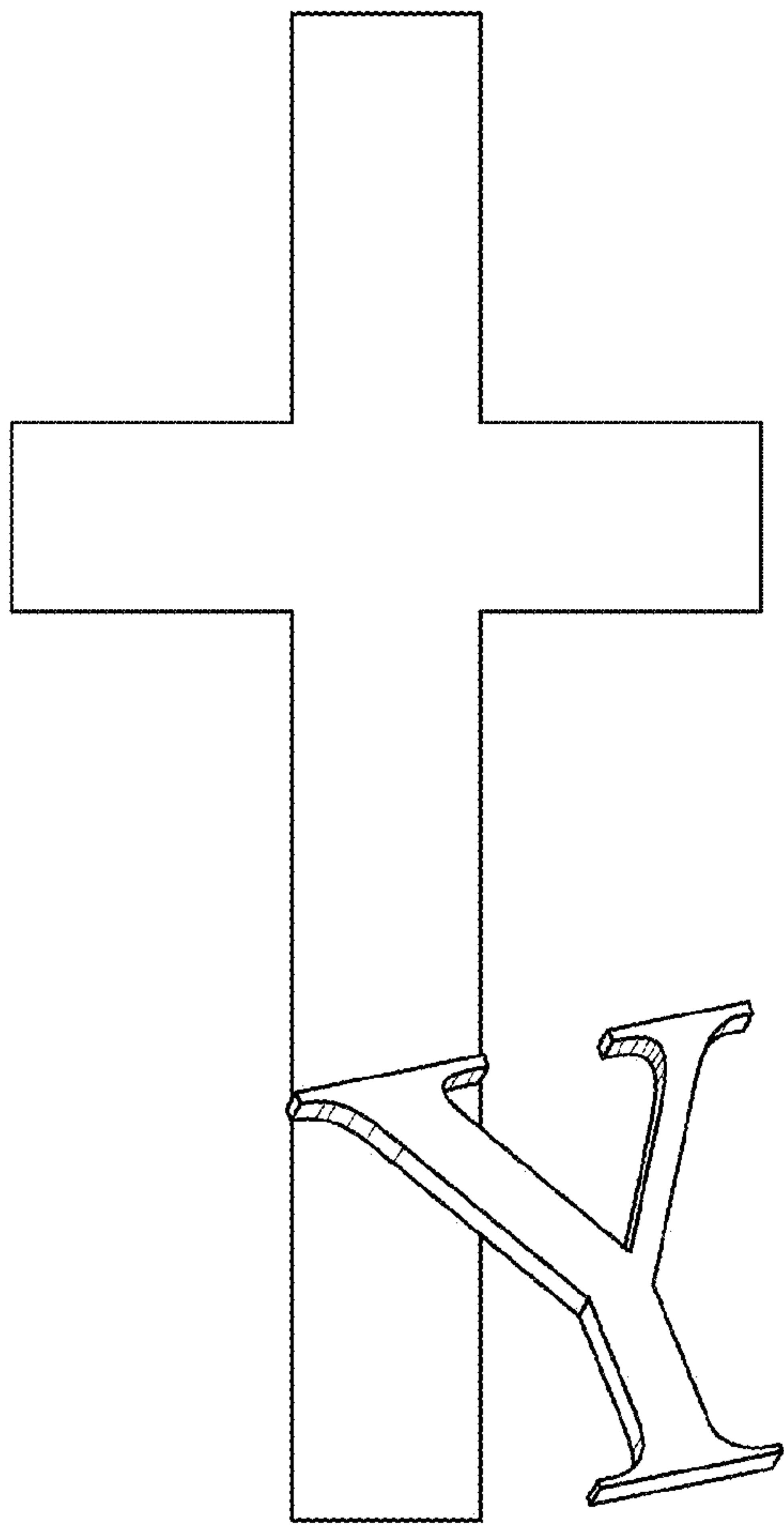


FIG. 170

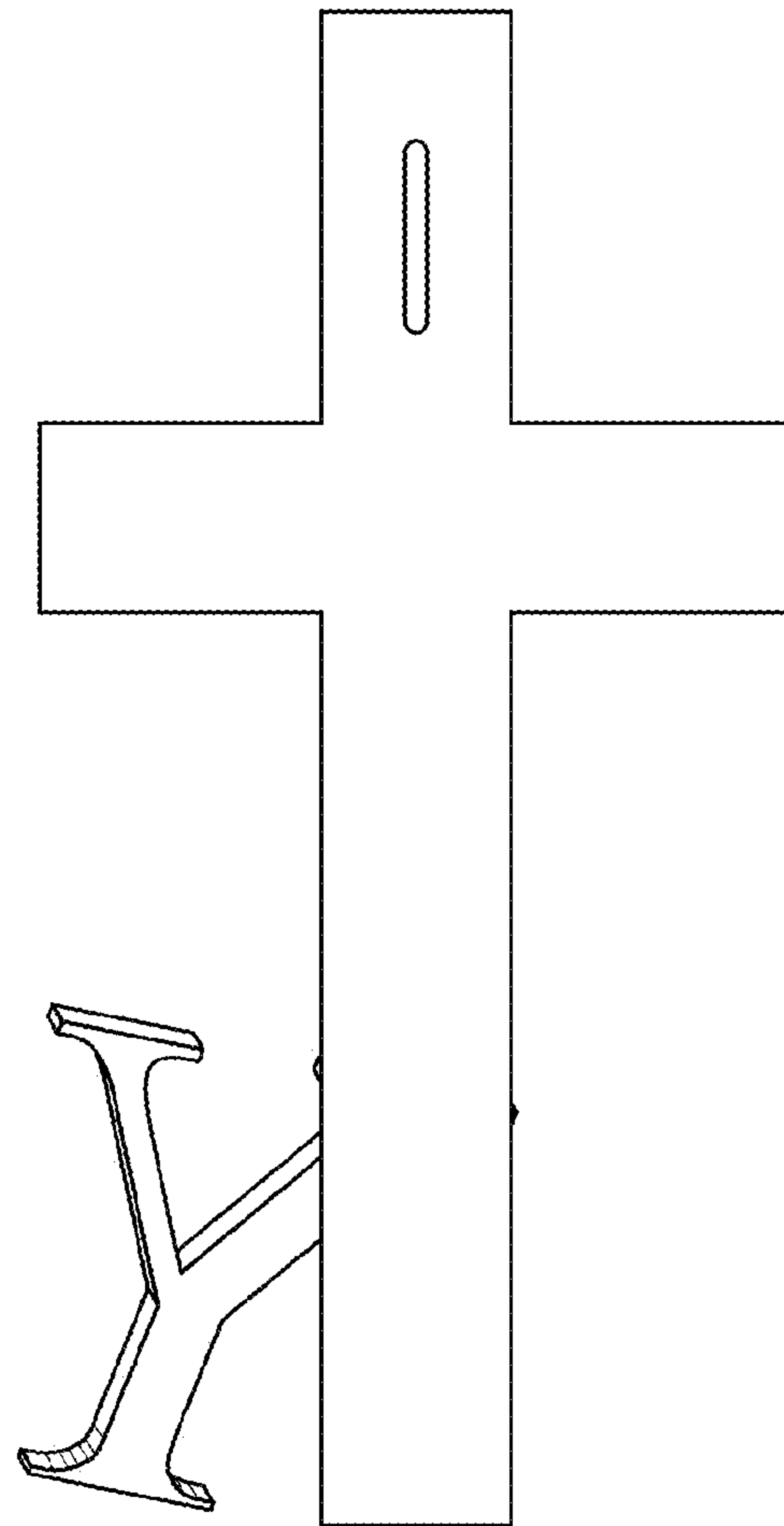


FIG. 171

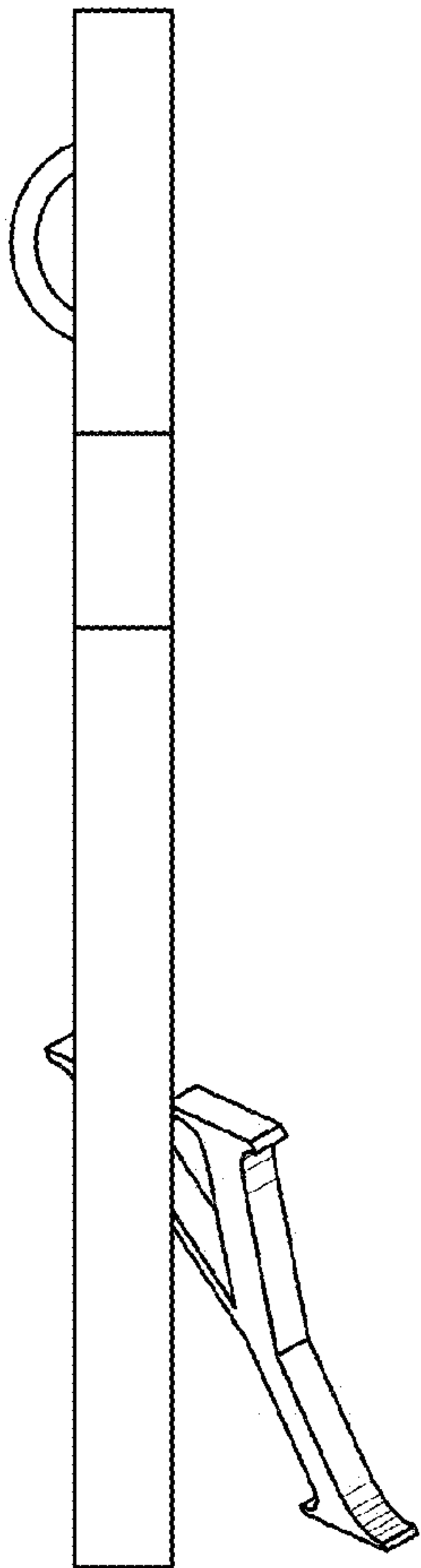


FIG. 172

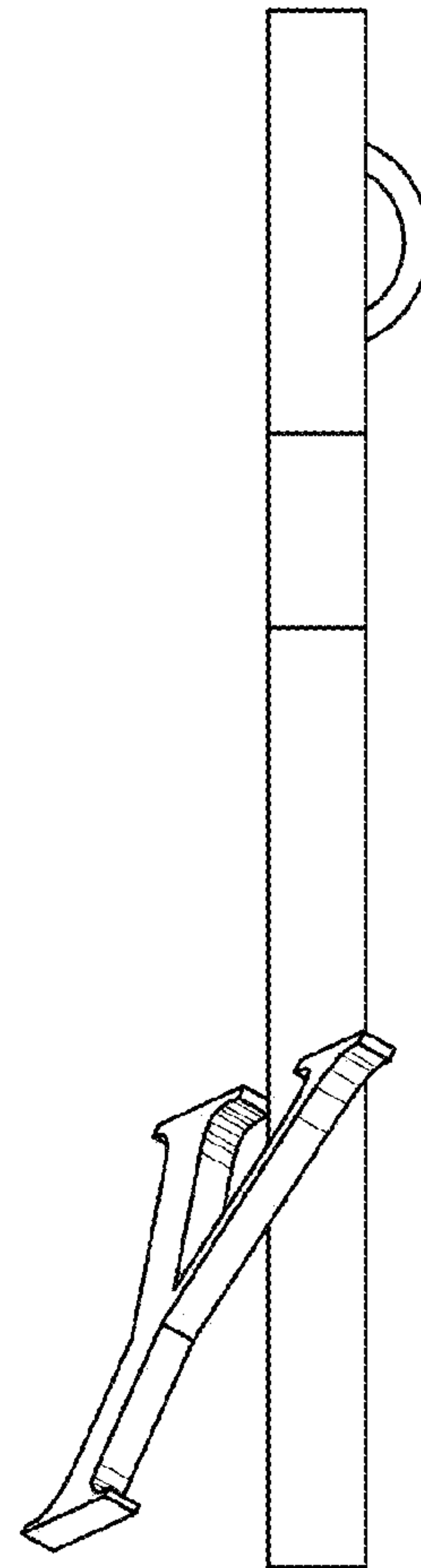


FIG. 173

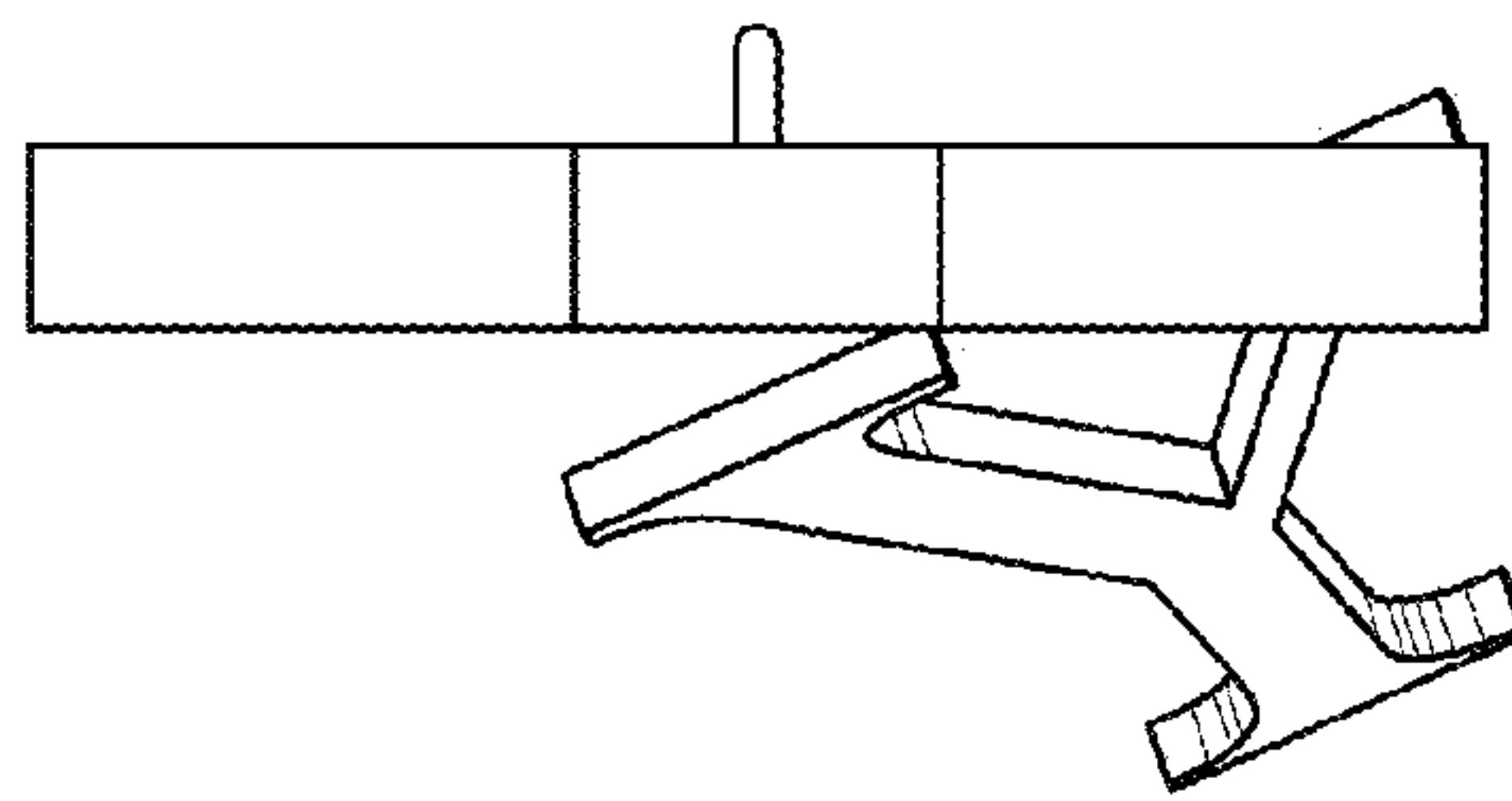


FIG. 174

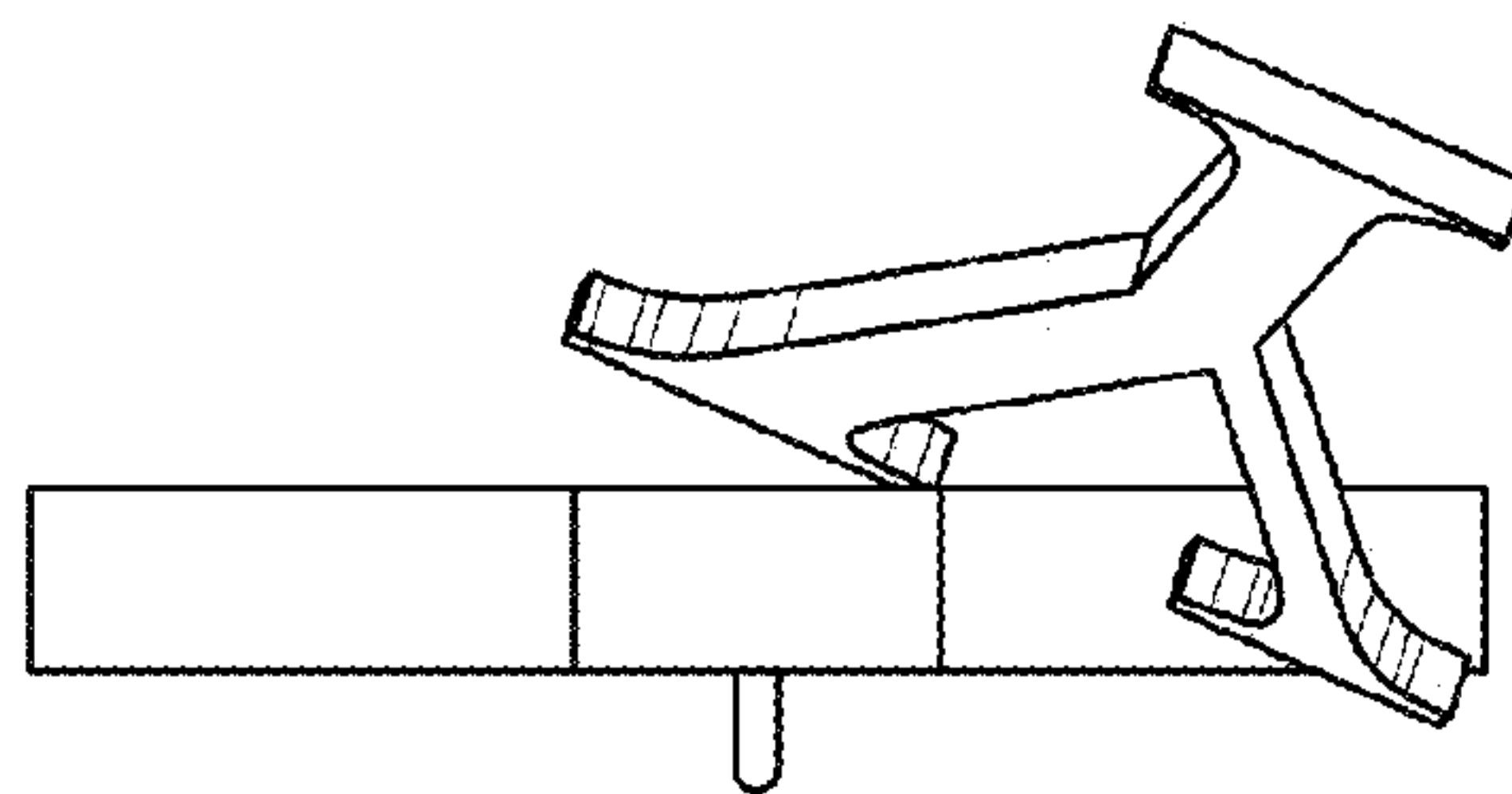


FIG. 175

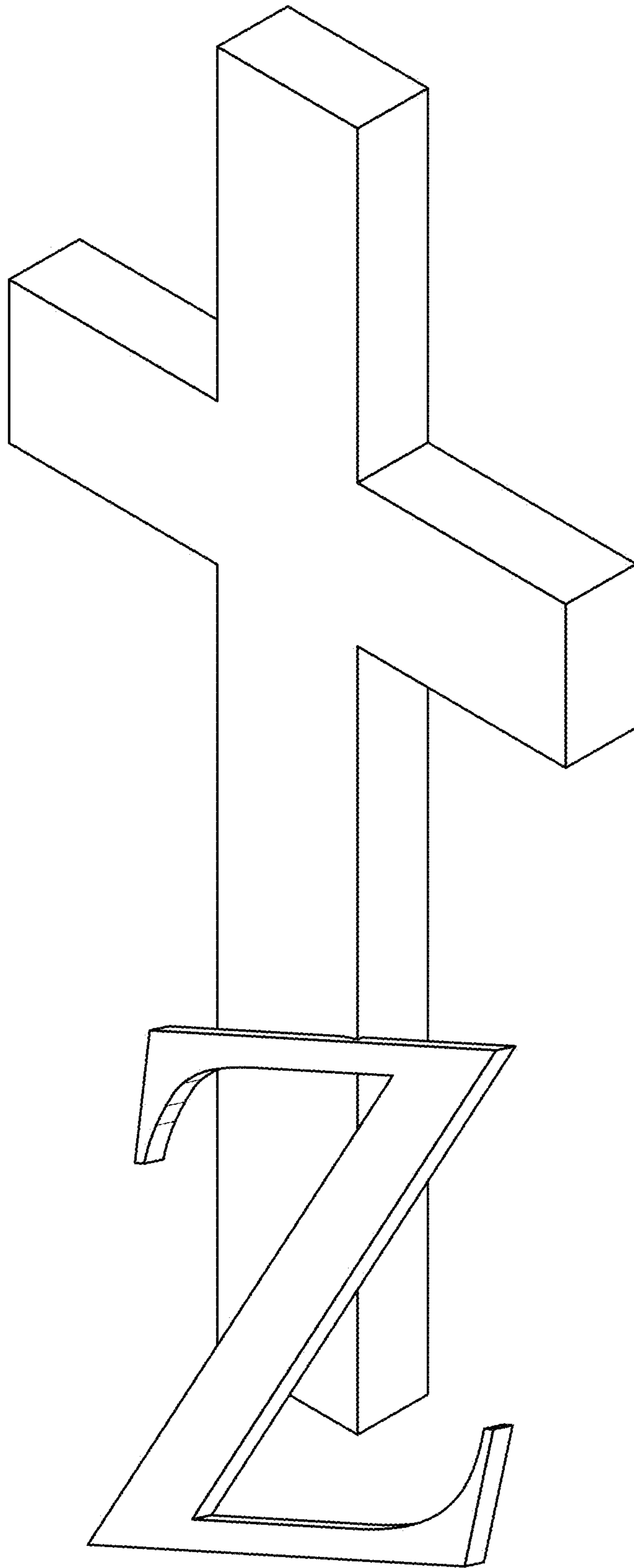


FIG. 176

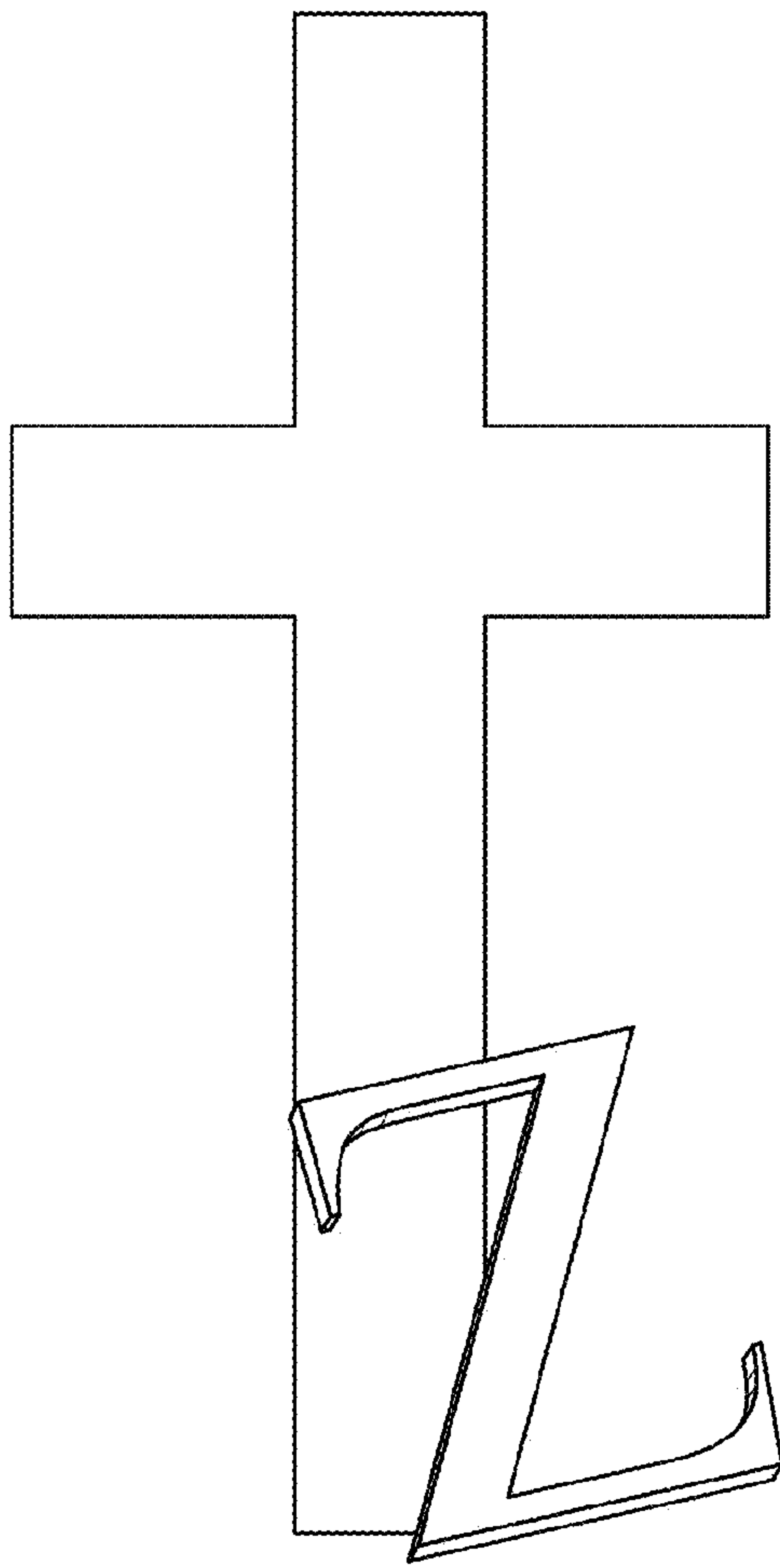


FIG. 177

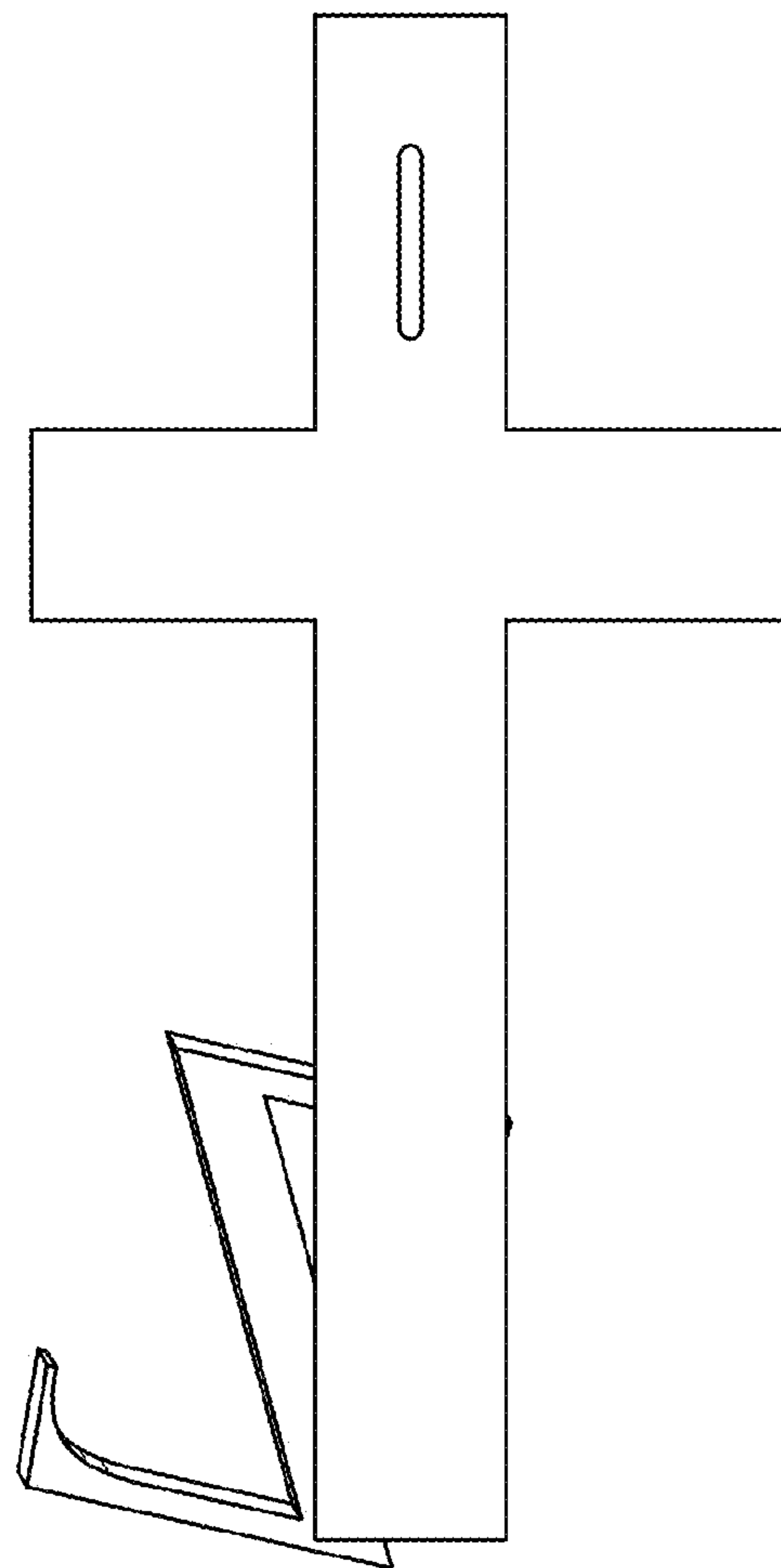


FIG. 178

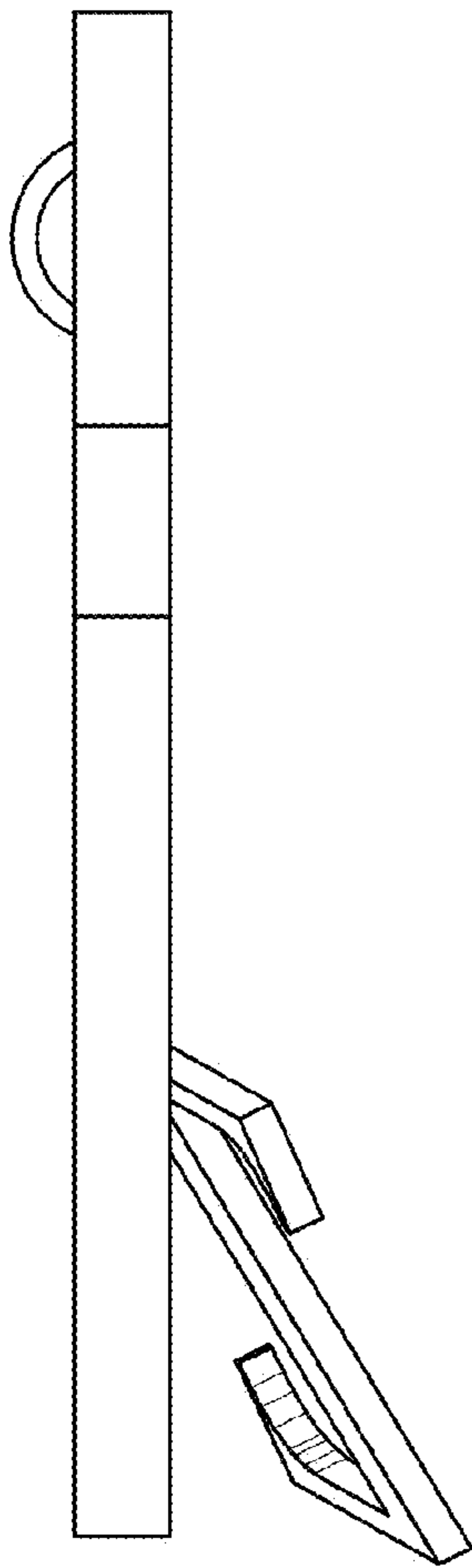


FIG. 179

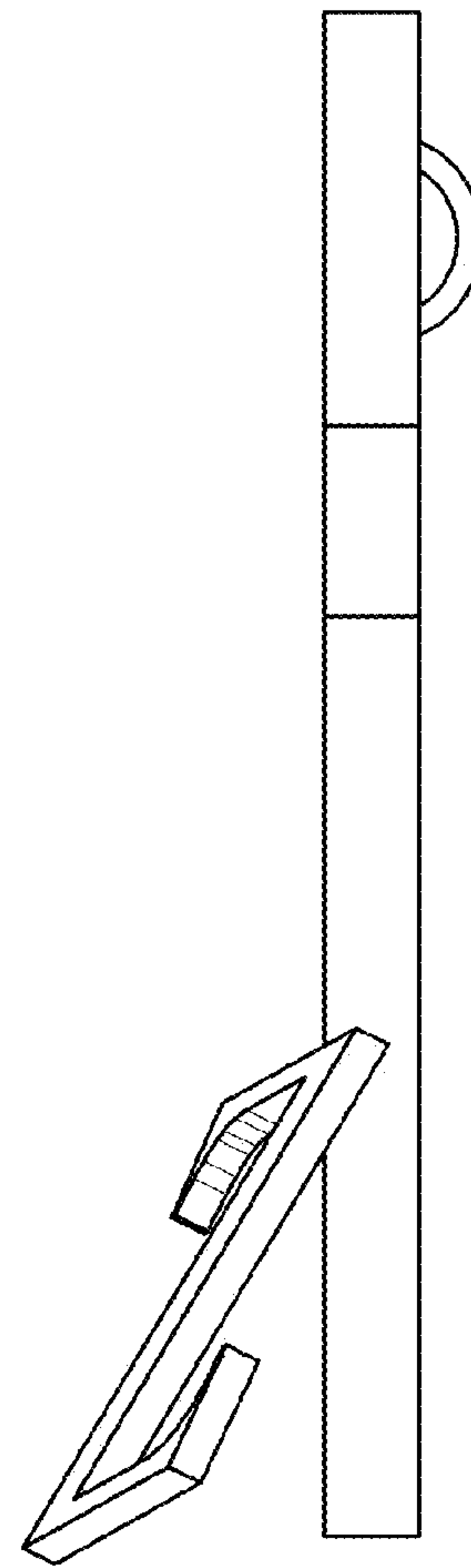


FIG. 180

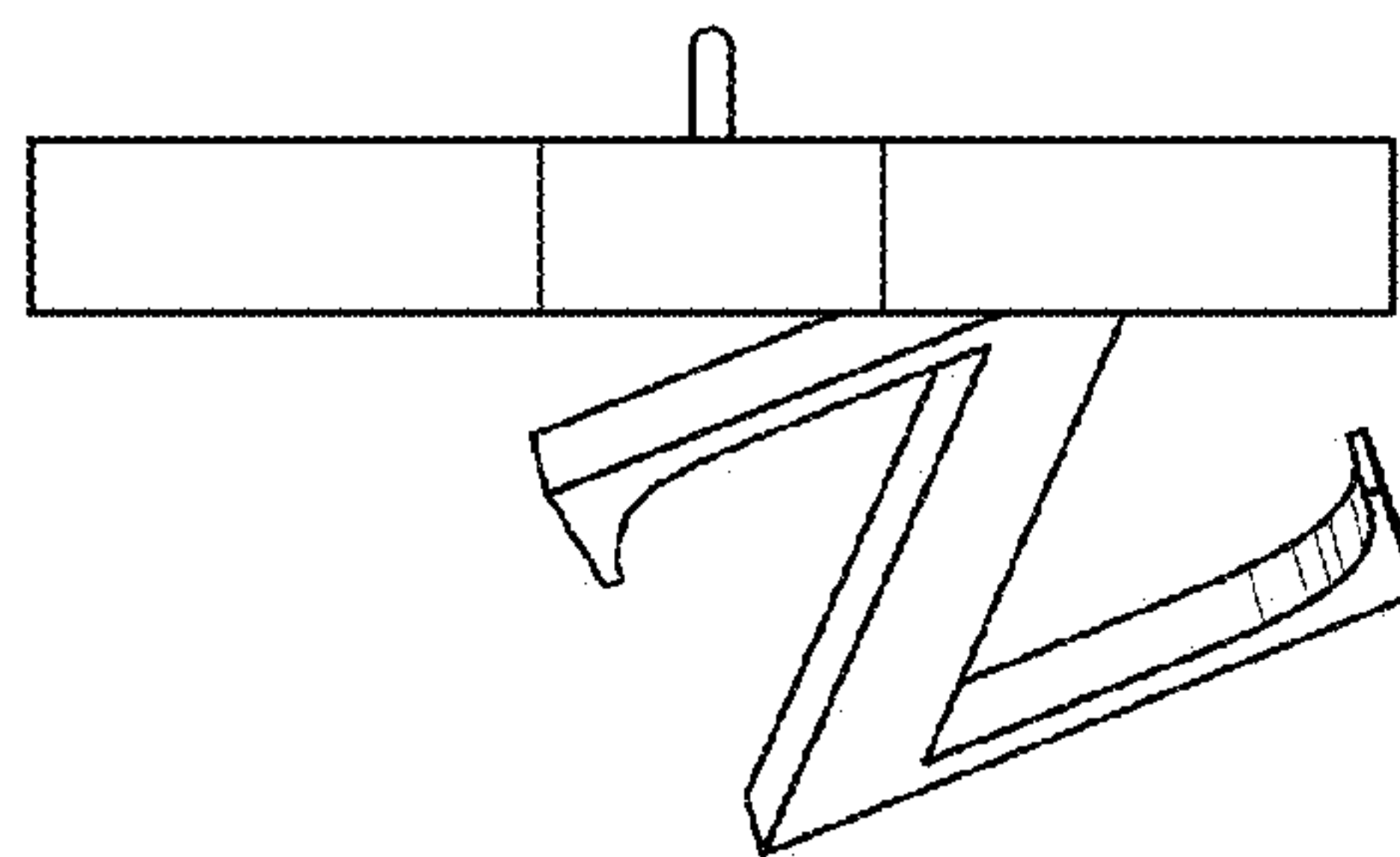


FIG. 181

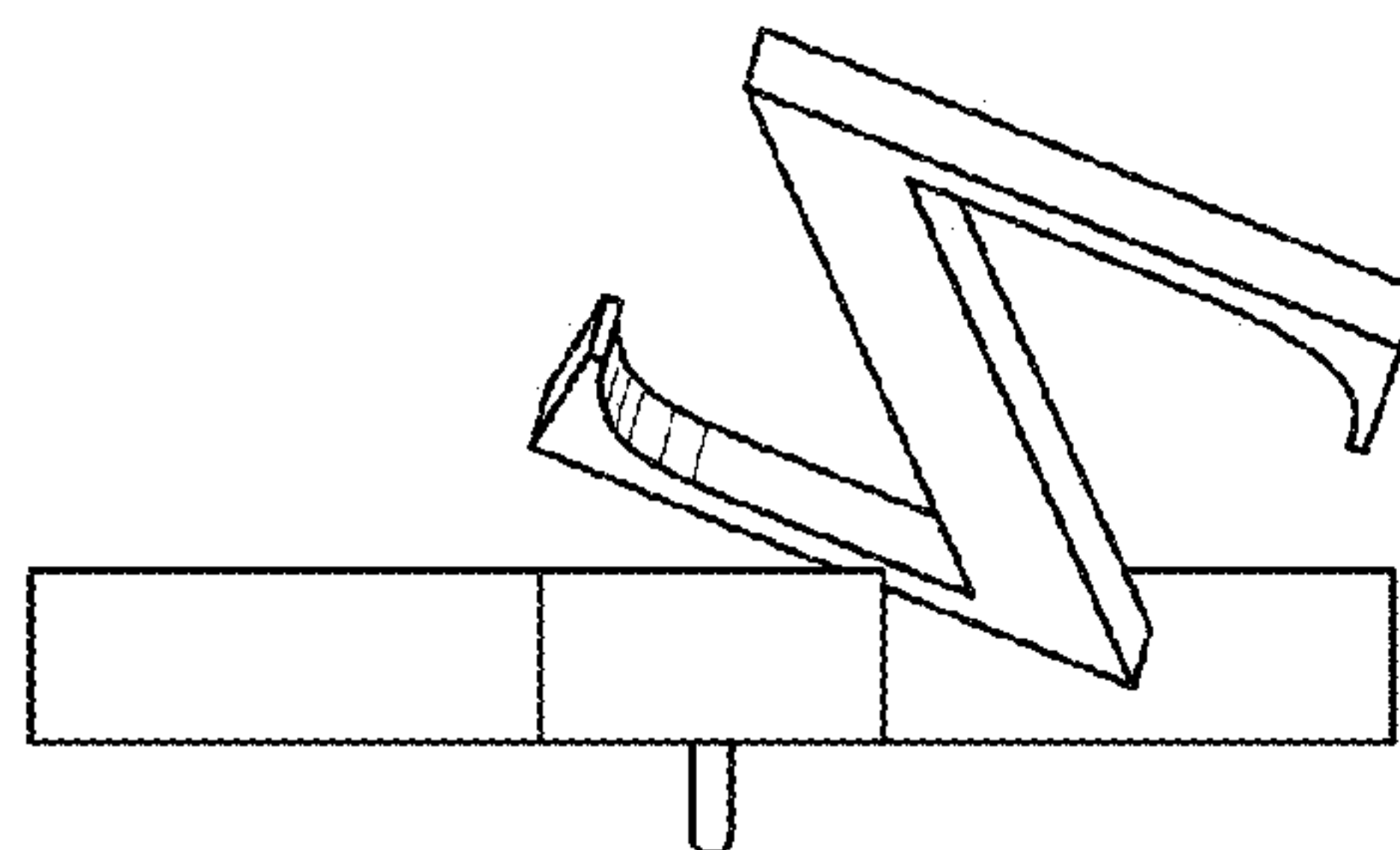


FIG. 182