



US00D889308S

(12) **United States Design Patent**  
**Yep**

(10) **Patent No.:** **US D889,308 S**

(45) **Date of Patent:** **\*\* Jul. 7, 2020**

(54) **FINGER RING**

(71) Applicant: **New Atlantic Assets Limited**, Tortola (VG)

(72) Inventor: **Mau Koung Yep**, Hong Kong (HK)

(\*\*) Term: **15 Years**

(21) Appl. No.: **29/609,806**

(22) Filed: **Jul. 5, 2017**

(51) **LOC (12) Cl.** ..... **11-01**

(52) **U.S. Cl.**  
USPC ..... **D11/34**

(58) **Field of Classification Search**  
USPC ..... D11/1, 3, 4, 26-39, 49, 91, 92, 56, 63,  
D11/67, 77, 86

(Continued)

(56) **References Cited**

**U.S. PATENT DOCUMENTS**

2,182,876 A \* 12/1939 Moldenhauer ..... A44C 9/0015  
63/15

D363,252 S \* 10/1995 Ambar ..... D11/34

(Continued)

*Primary Examiner* — Melanie Pellegrini

(74) *Attorney, Agent, or Firm* — Novoclaims Patent Services LLC

(57) **CLAIM**

The ornamental design for a finger ring, as shown and described.

**DESCRIPTION**

FIG. 1 is a perspective view of a finger ring showing my new design.

FIG. 2 is a second perspective view thereof.

FIG. 3 is a left end view thereof.

FIG. 4 is a rear view thereof.

FIG. 5 is a right end view thereof.

FIG. 6 is a front view thereof.

FIG. 7 is a top plan view thereof.

FIG. 8 is a bottom plan view thereof.

FIG. 9 is a third perspective view thereof.

FIG. 10 is a fourth perspective view thereof.

FIG. 11 is a perspective view of a finger ring showing my new design, showing a first in-use position.

FIG. 12 is a second perspective view thereof.

FIG. 13 is a left end view thereof.

FIG. 14 is a rear view thereof.

FIG. 15 is a right end view thereof.

FIG. 16 is a front view thereof.

FIG. 17 is a top plan view thereof.

FIG. 18 is a bottom plan view thereof.

FIG. 19 is a perspective view of a finger ring showing my new design, showing a second in-use position.

FIG. 20 is a second perspective view thereof.

FIG. 21 is a left end view thereof.

FIG. 22 is a rear view thereof.

FIG. 23 is a right end view thereof.

FIG. 24 is a front view thereof.

FIG. 25 is a top plan view thereof.

FIG. 26 is a bottom plan view thereof.

FIG. 27 is a perspective view of a finger ring, showing a third in-use position.

FIG. 28 is a second perspective view thereof.

FIG. 29 is a left end view thereof.

FIG. 30 is a rear view thereof.

FIG. 31 is a right end view thereof.

FIG. 32 is a front view thereof.

FIG. 33 is a top plan view thereof.

FIG. 34 is a bottom plan view thereof.

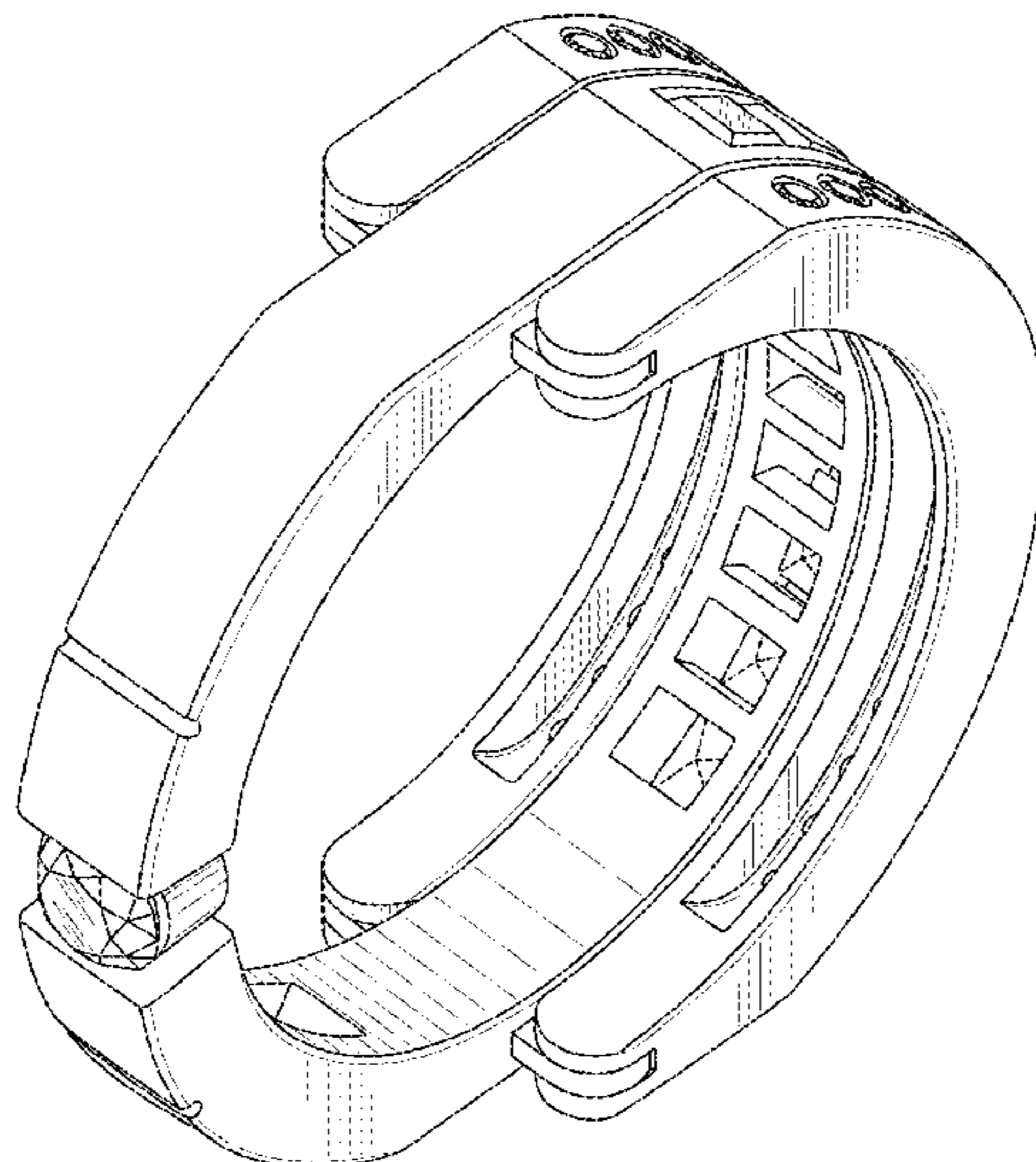
FIG. 35 is a top plan view of a finger ring, showing an intermediate position when switching between different in-use position.

FIG. 36 is a perspective view thereof; and,

FIG. 37 is another perspective view thereof.

The broken lines in the drawings represent unclaimed subject matter and form no part of the claim.

**1 Claim, 37 Drawing Sheets**



(58) **Field of Classification Search**

CPC ..... A44C 9/00; A44C 9/0007; A44C 9/0015;  
A44C 9/0023; A44C 9/003; A44C  
9/0038; A44C 9/0046; A44C 9/0053;  
A44C 9/0061; A44C 9/0069; A44C  
9/0076; A44C 9/0084; A44C 9/0092;  
A44C 9/02

See application file for complete search history.

(56) **References Cited**

U.S. PATENT DOCUMENTS

D379,329 S \* 5/1997 Pandel ..... D11/34  
5,682,768 A \* 11/1997 Nissenbaum ..... A44C 9/003  
63/15.1  
D432,938 S \* 10/2000 Vardakis ..... D11/26  
D600,155 S \* 9/2009 Canova ..... D11/34  
D603,743 S \* 11/2009 Verdeille ..... D11/34  
D780,030 S \* 2/2017 Yatsugi-Kang ..... D11/34  
D821,251 S \* 6/2018 Yatsugi-Kang ..... D11/34  
2017/0055647 A1 \* 3/2017 Samanta ..... A44C 17/0208  
2017/0245604 A1 \* 8/2017 Samanta ..... A44C 17/02  
2019/0014869 A1 \* 1/2019 Yep ..... A44C 9/0015

\* cited by examiner

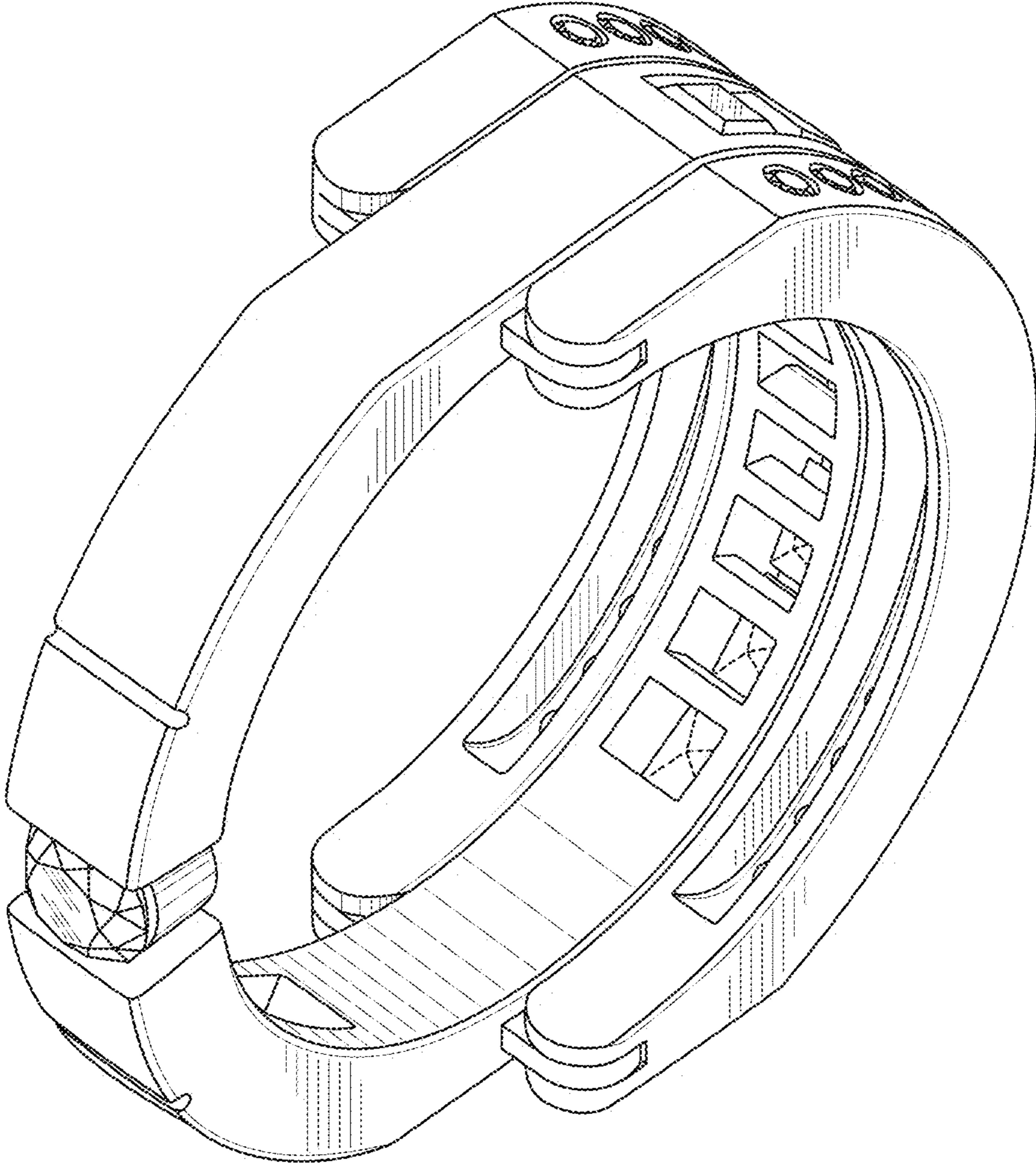


Fig 1



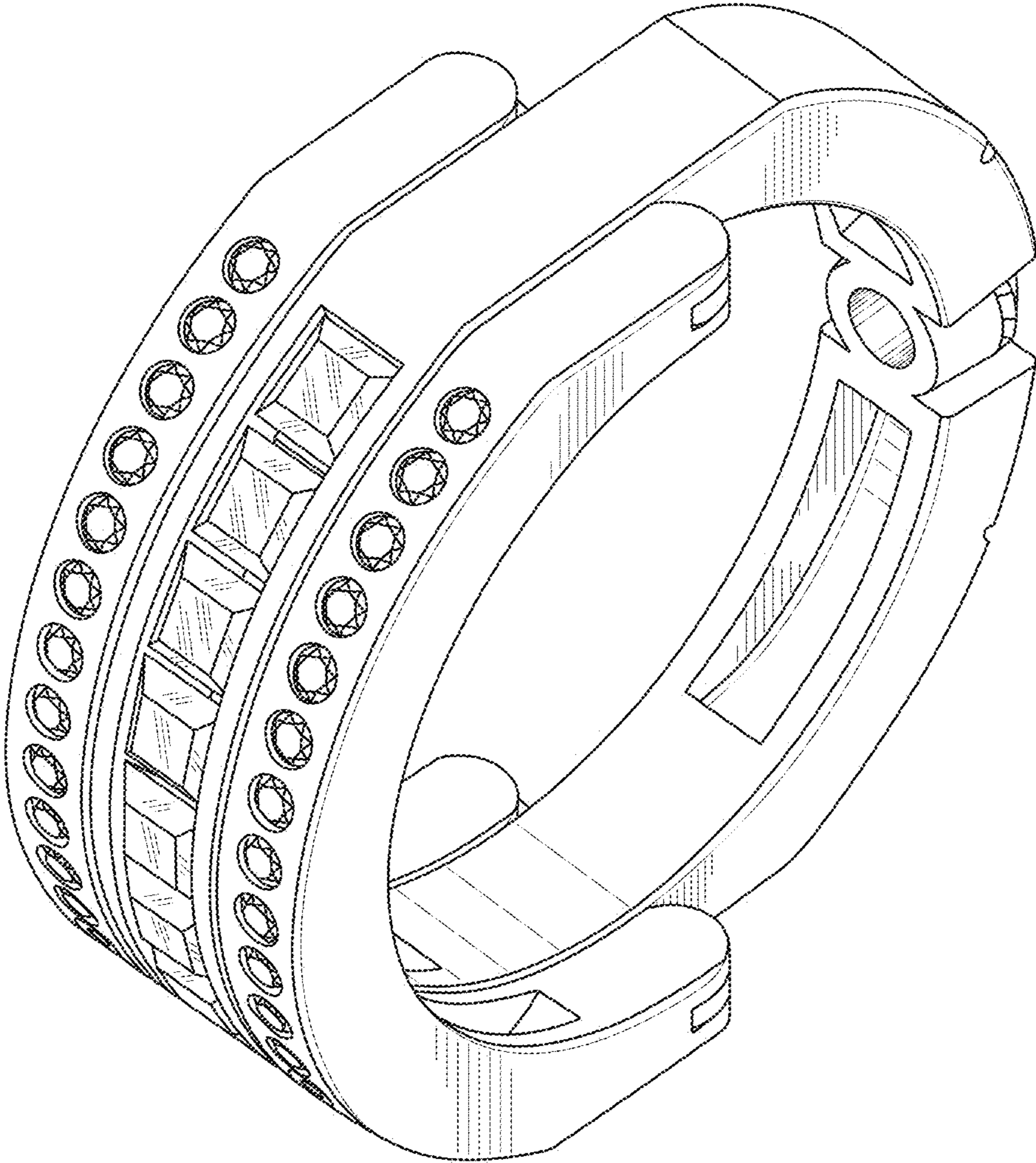


Fig 2

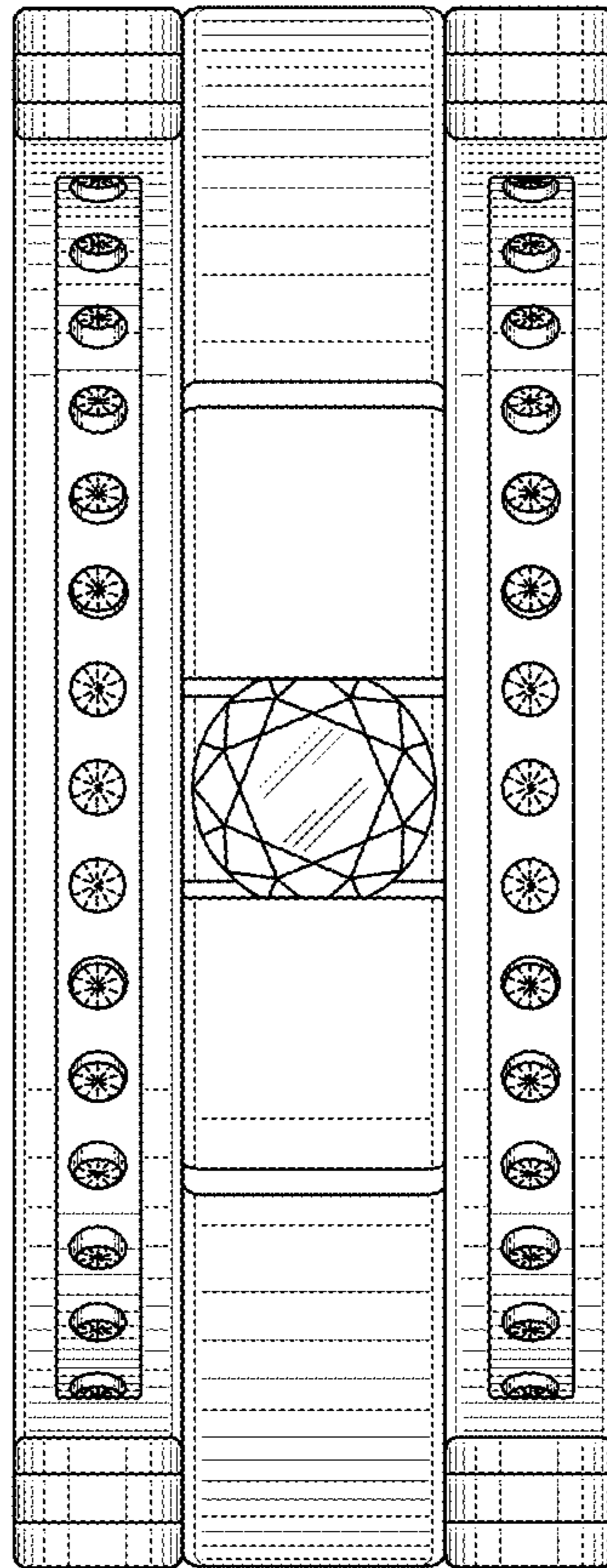


Fig 3

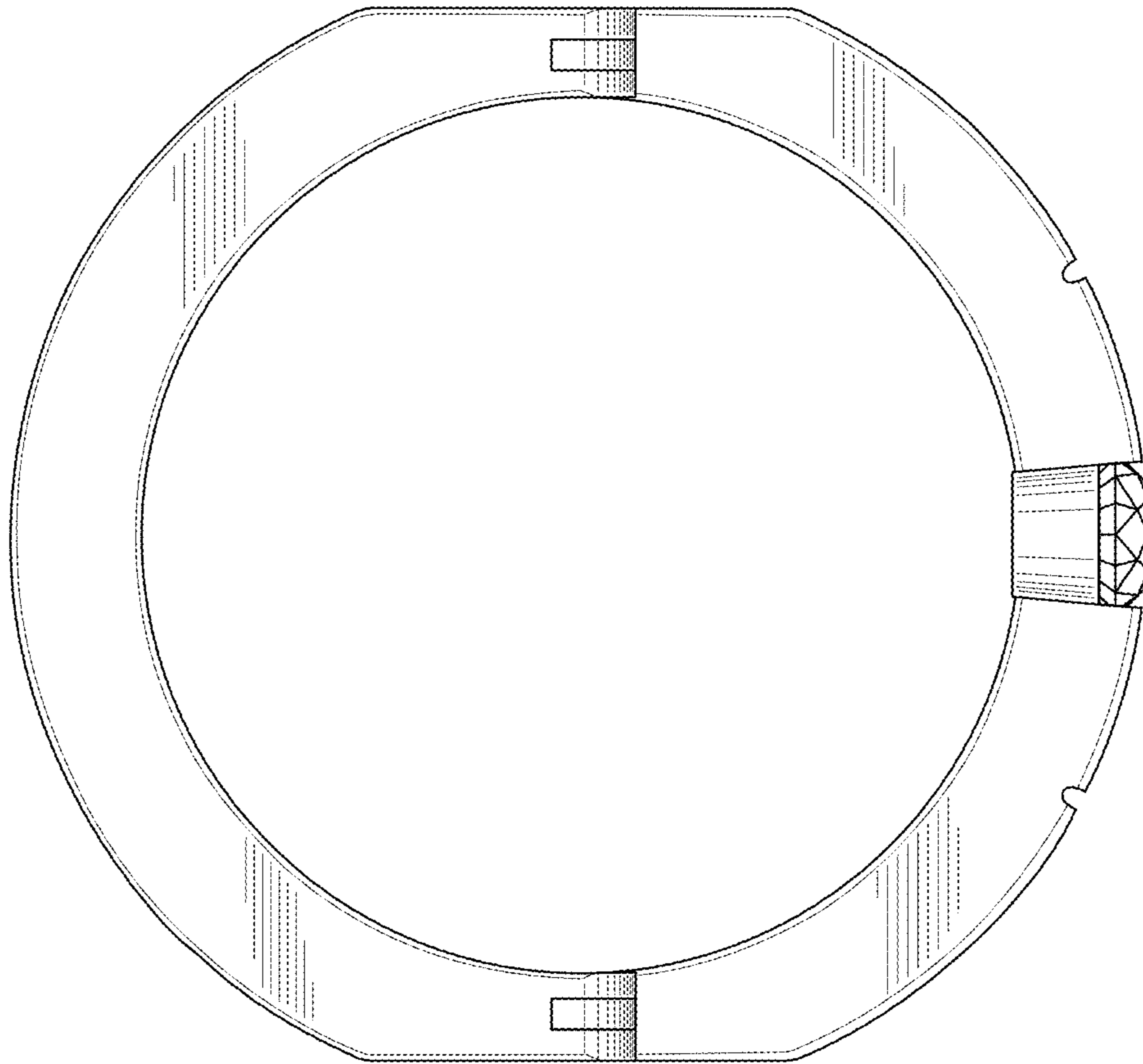


Fig 4

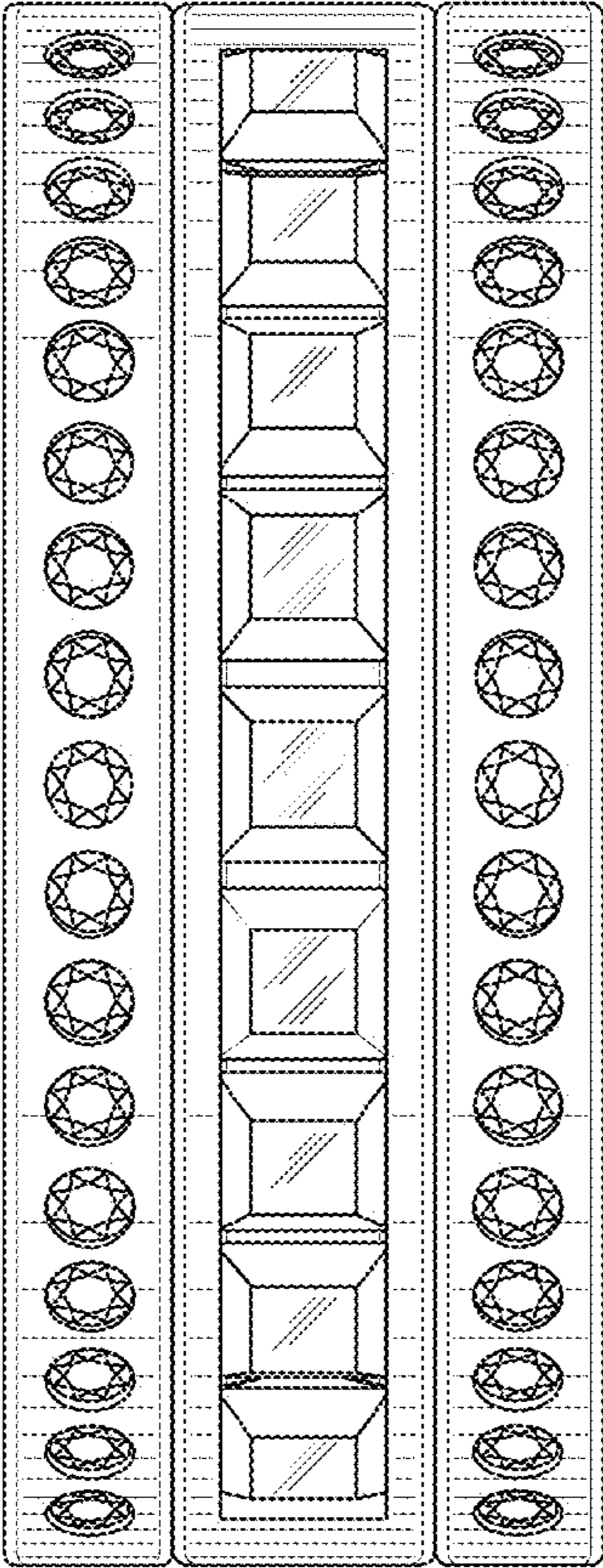


Fig 5

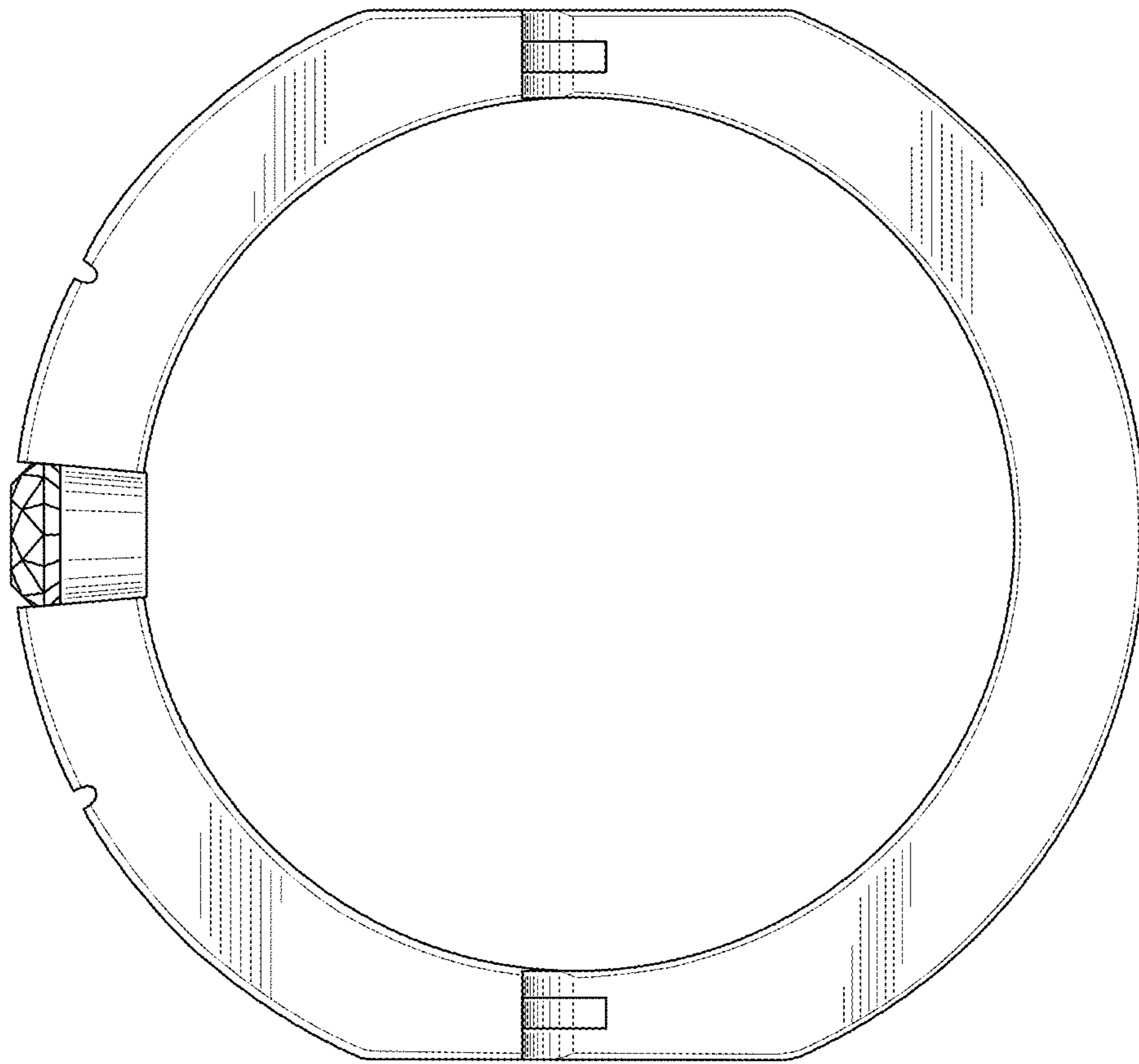


Fig 6



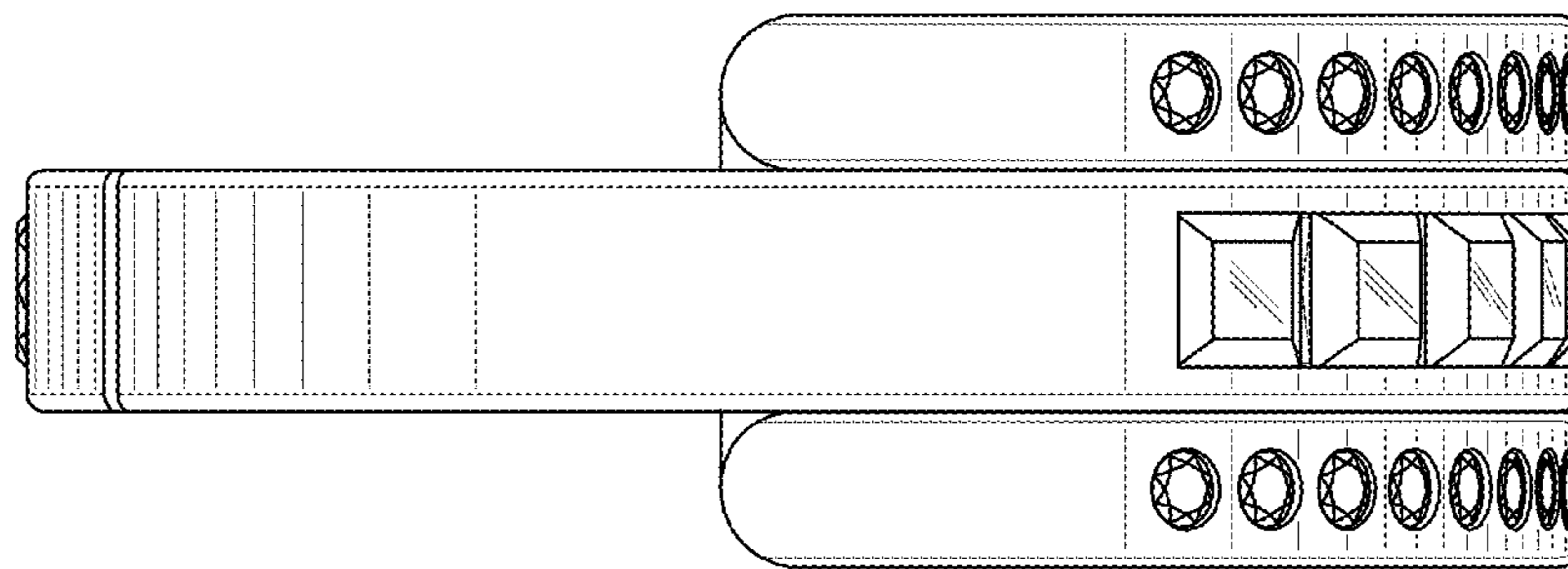


Fig 7

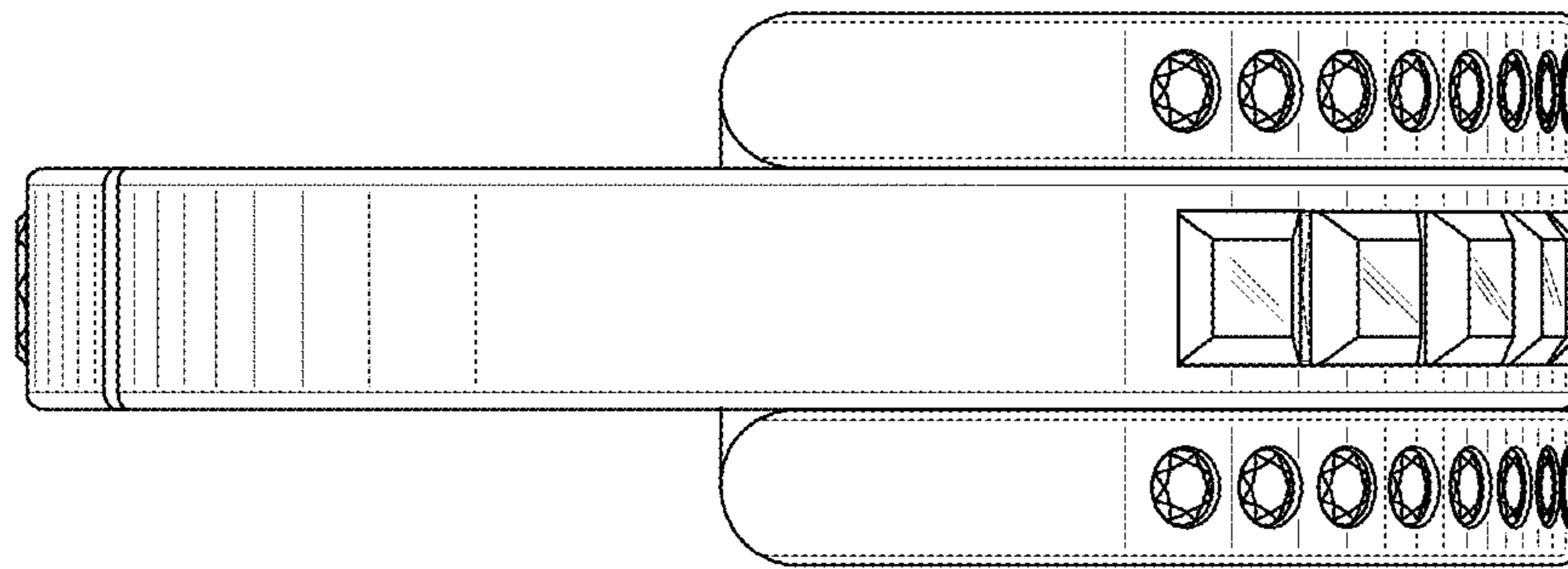


Fig 8

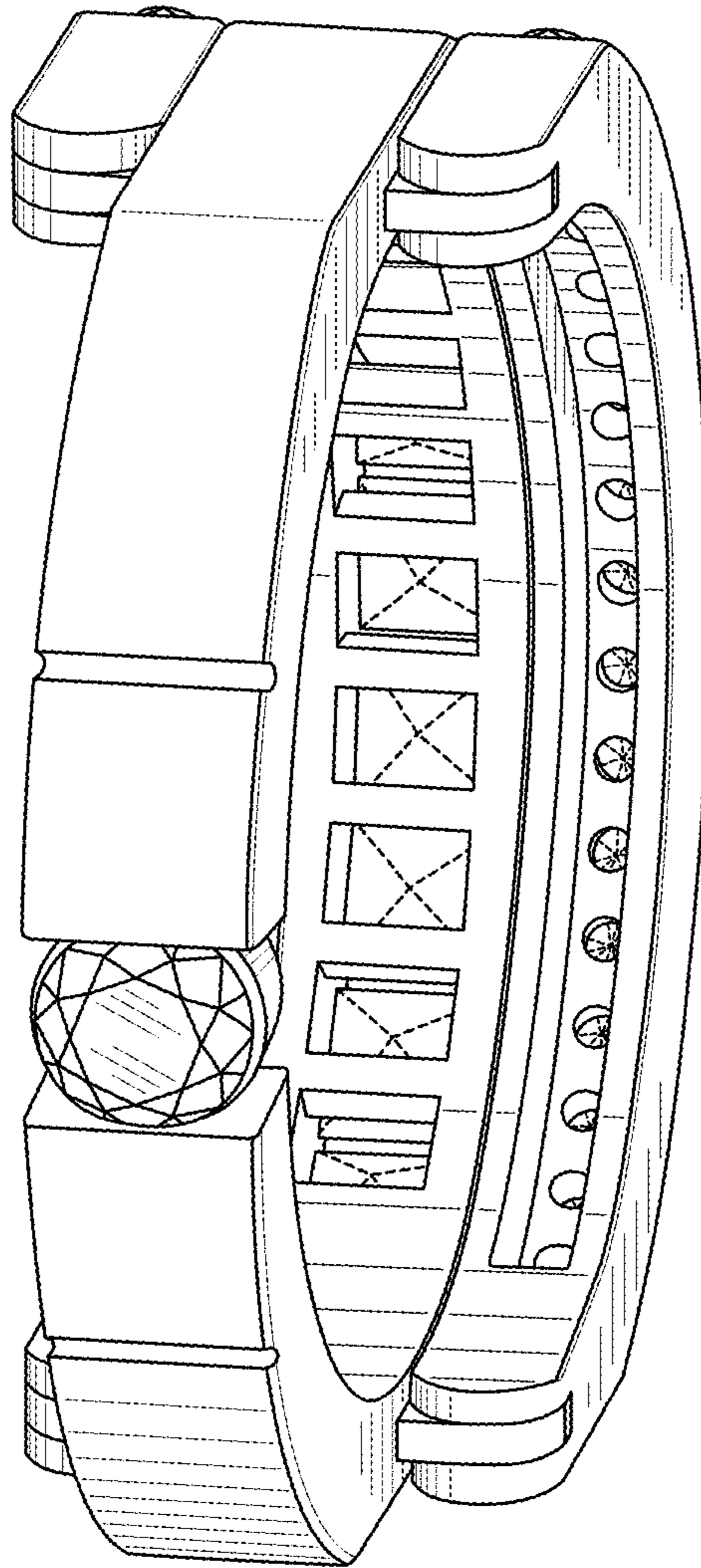


Fig 9

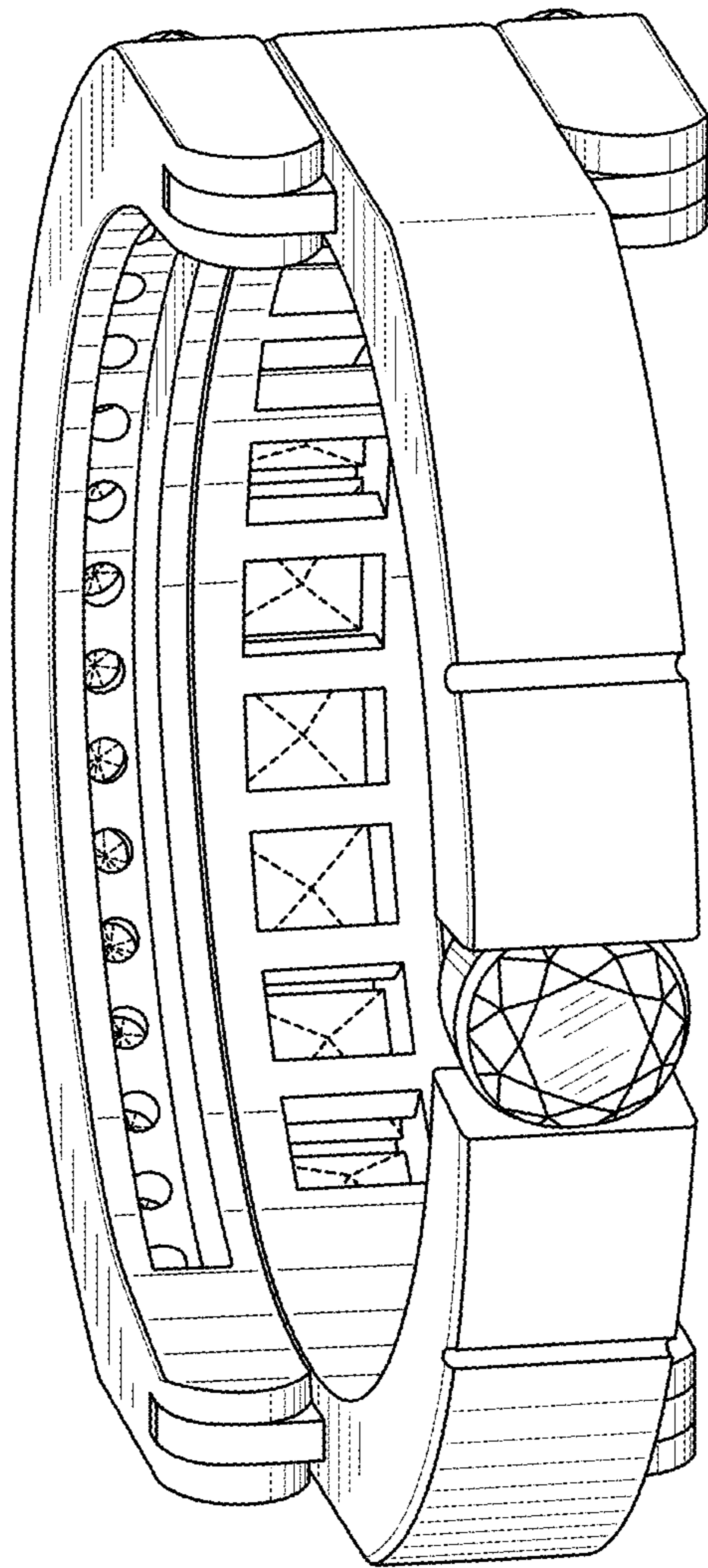


Fig 10



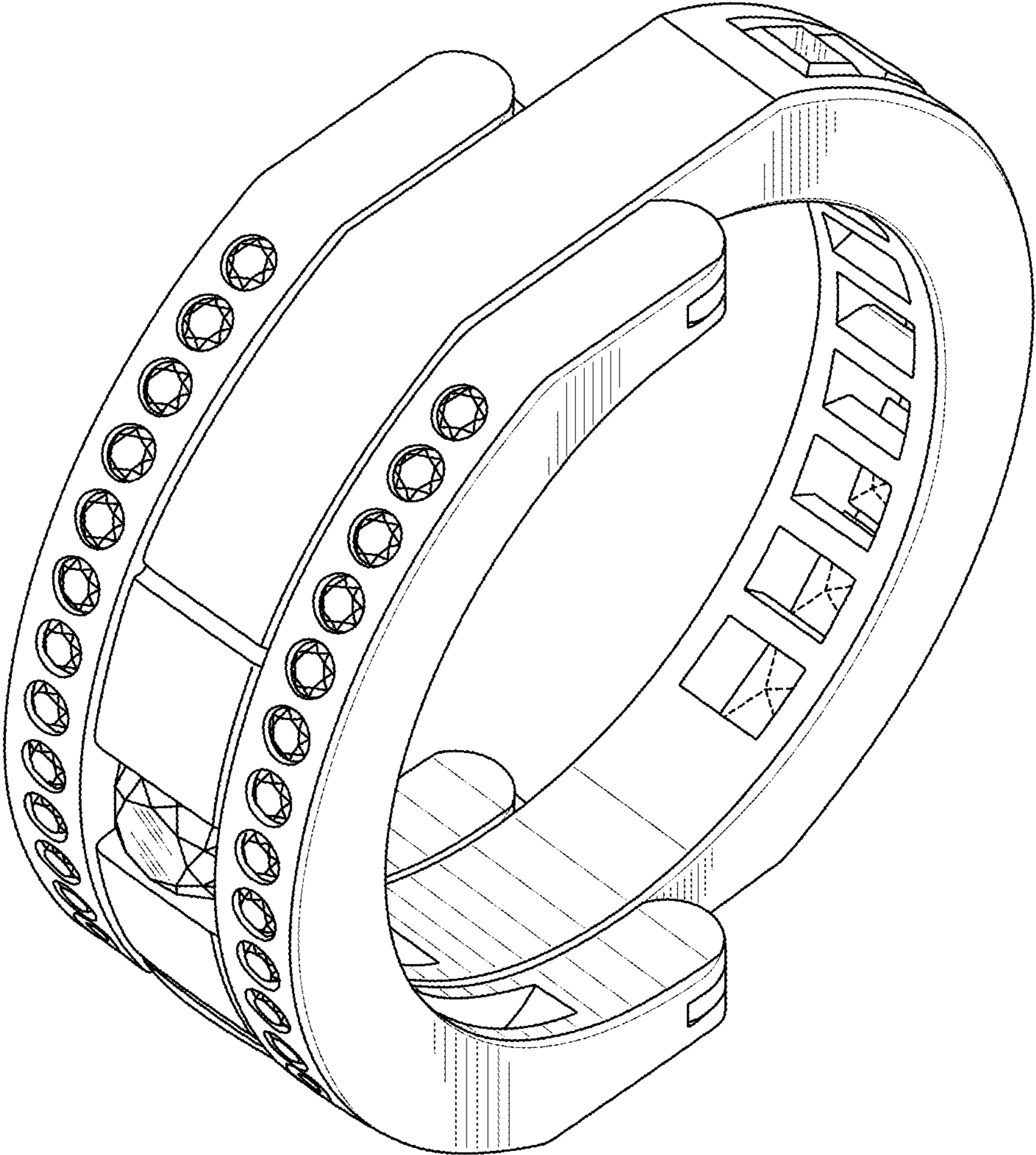


Fig 11

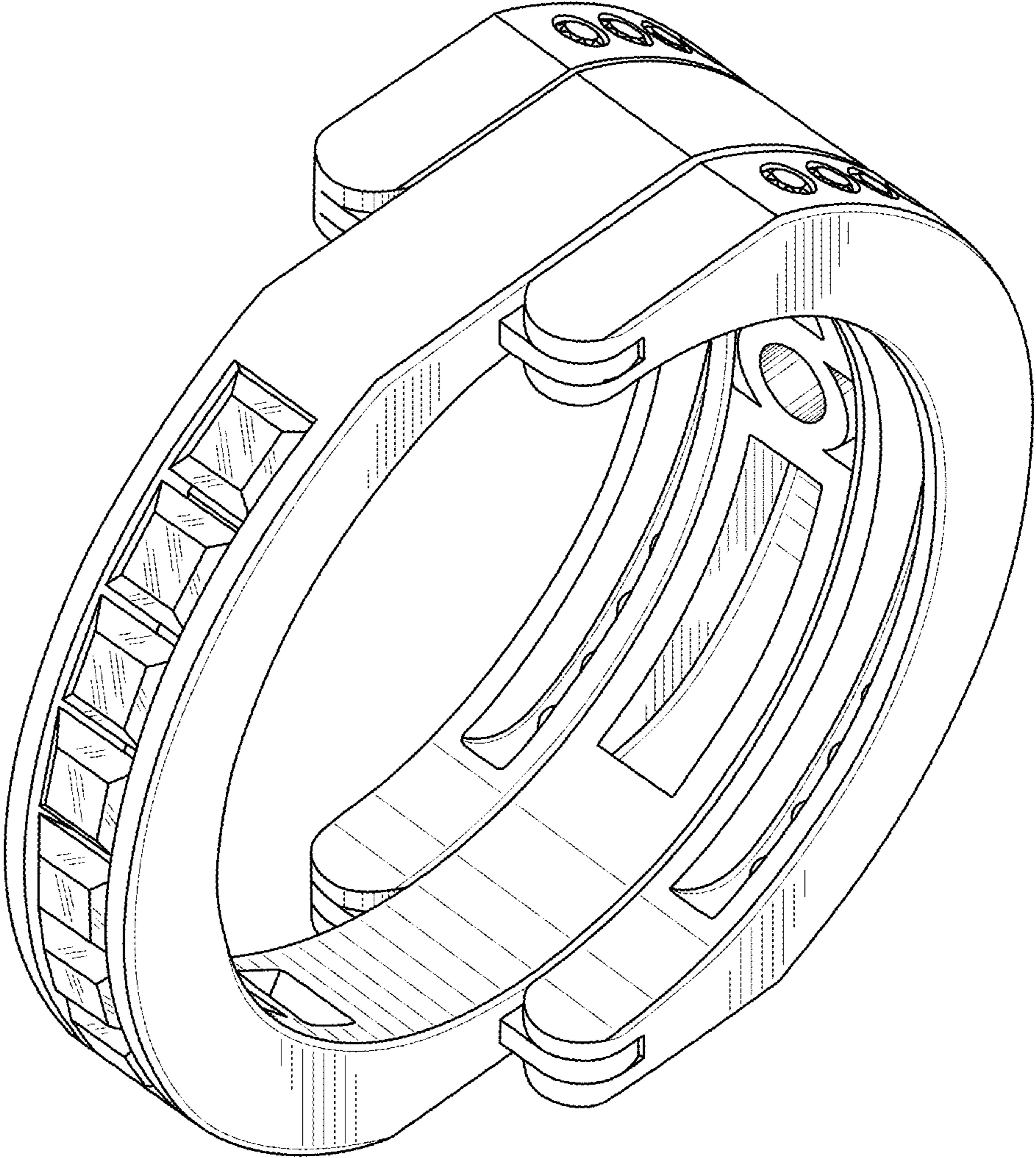


Fig 12

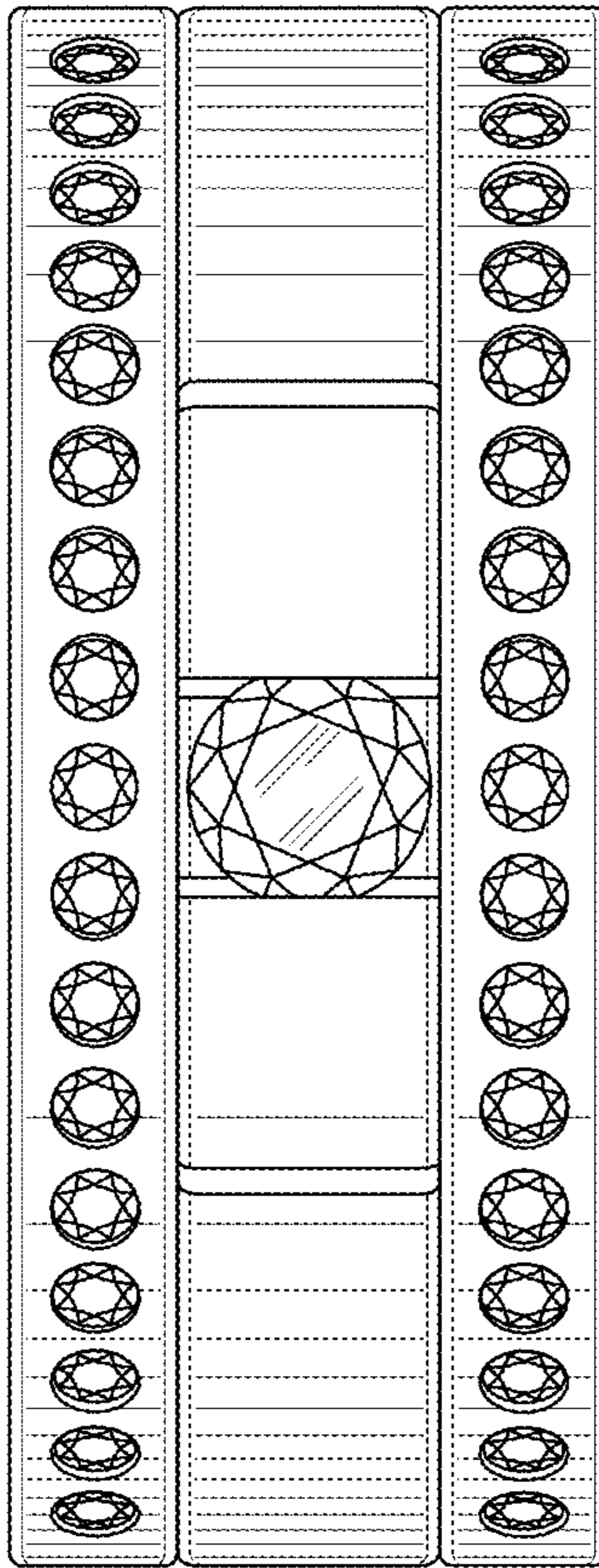


Fig 13

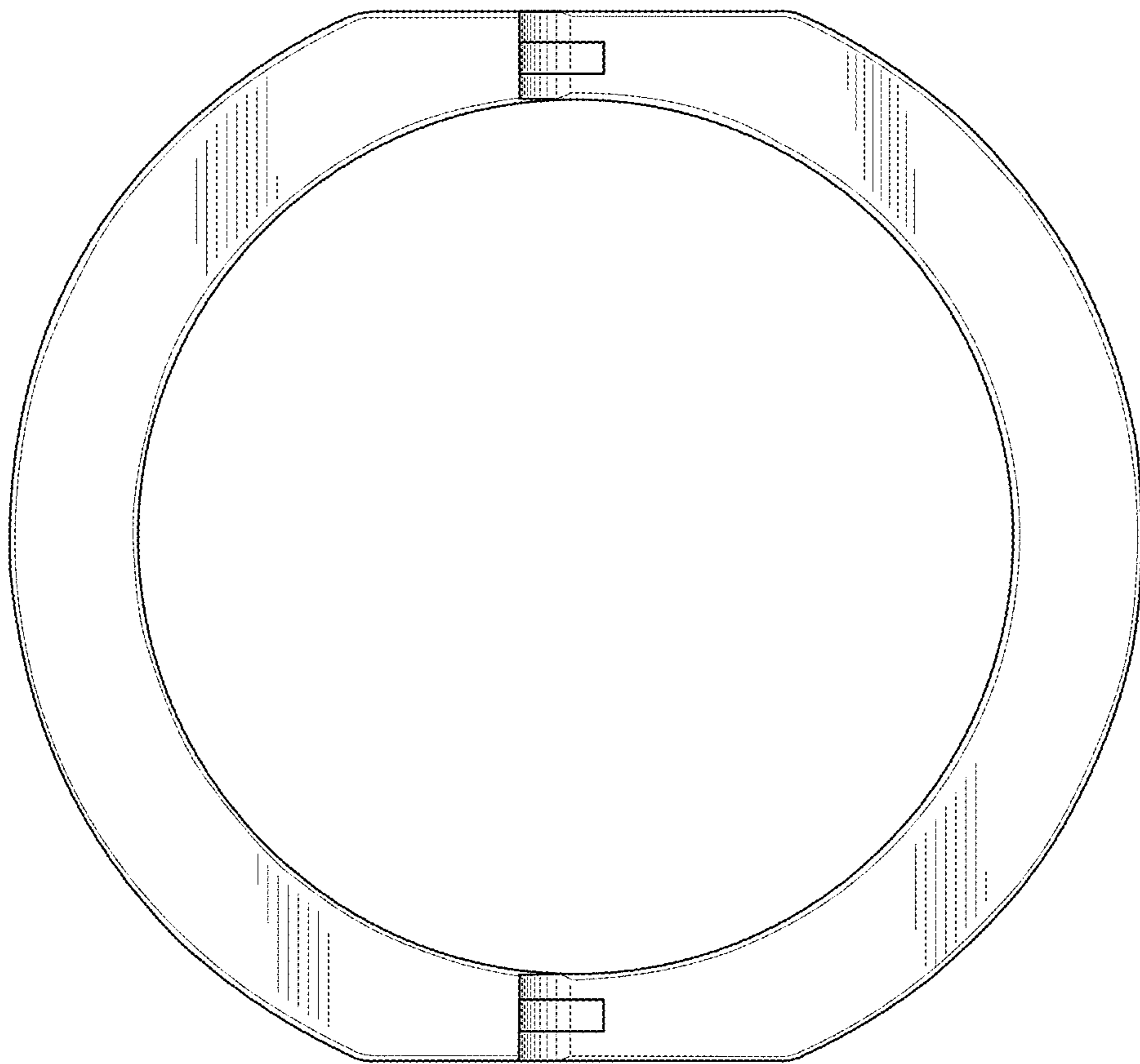


Fig 14



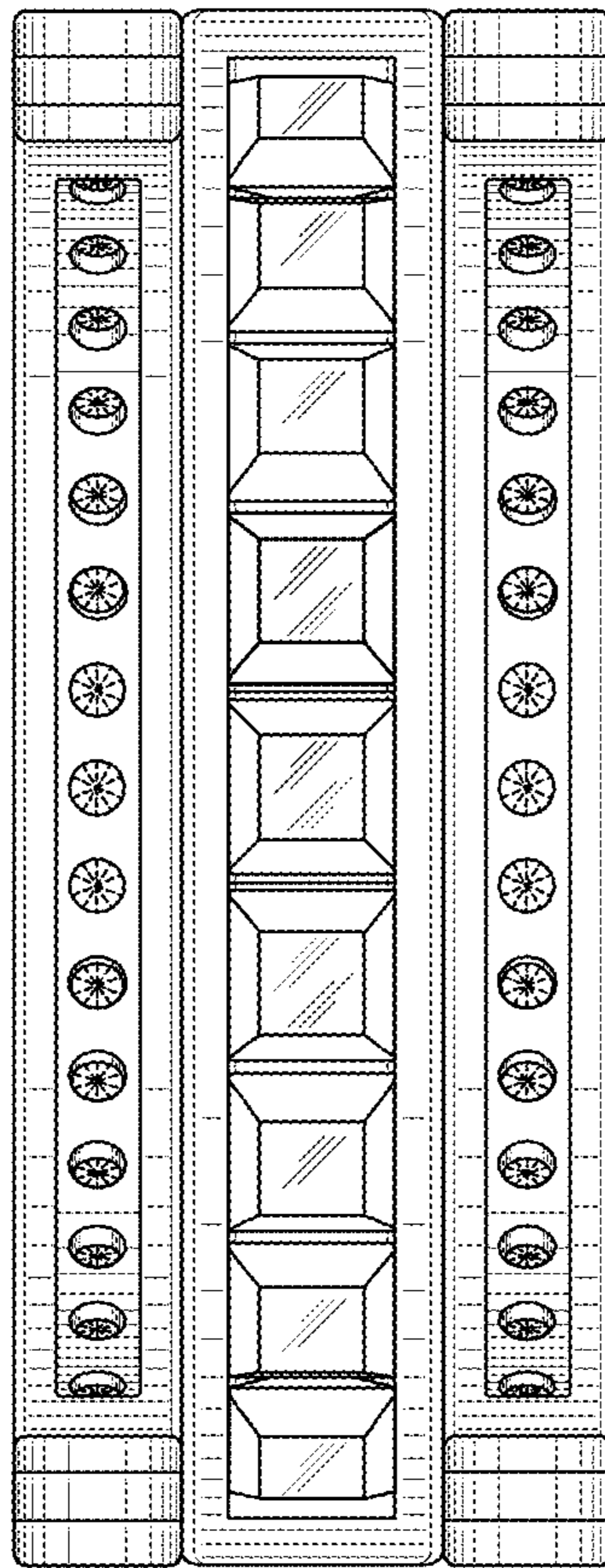


Fig 15

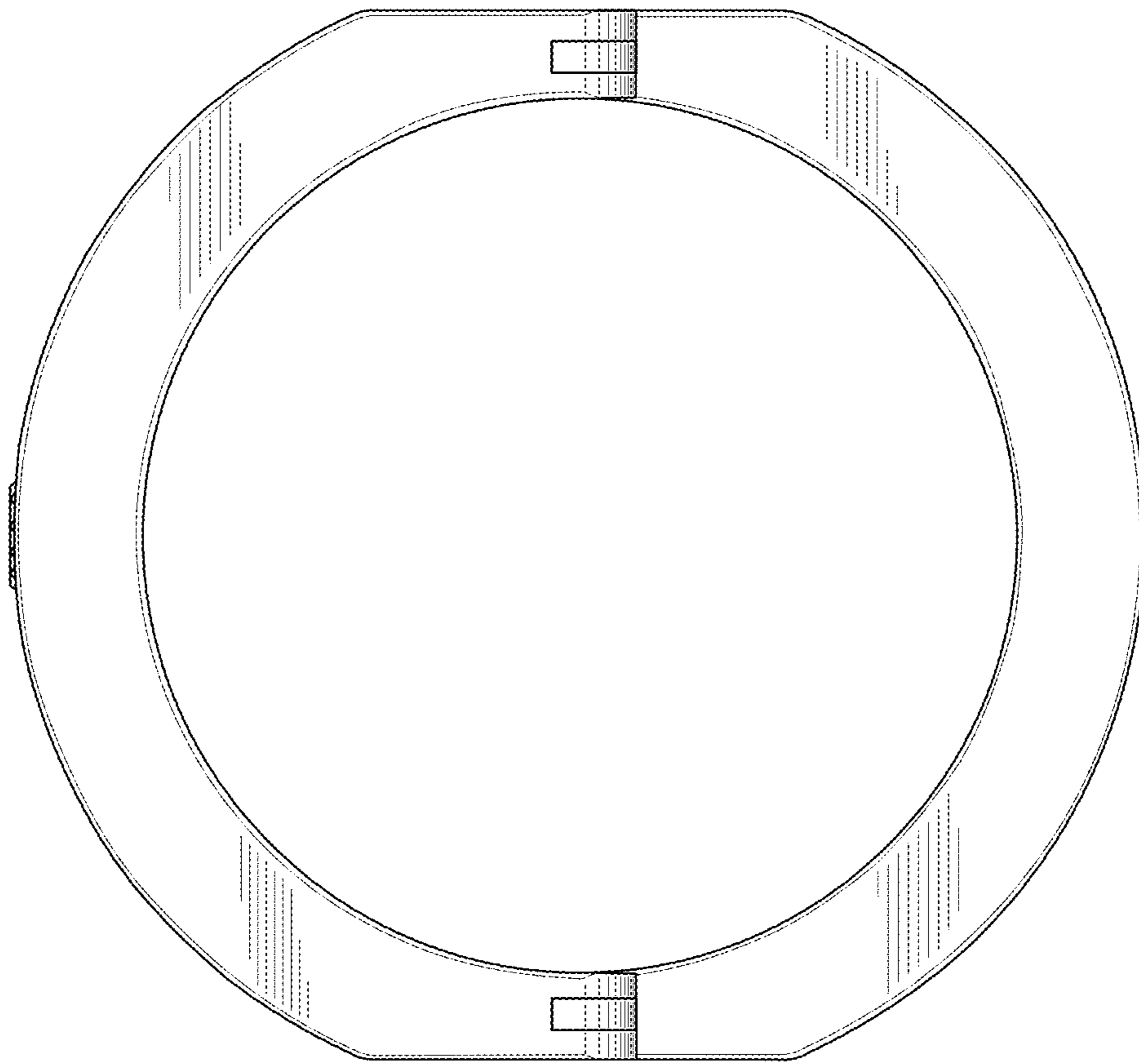


Fig 16

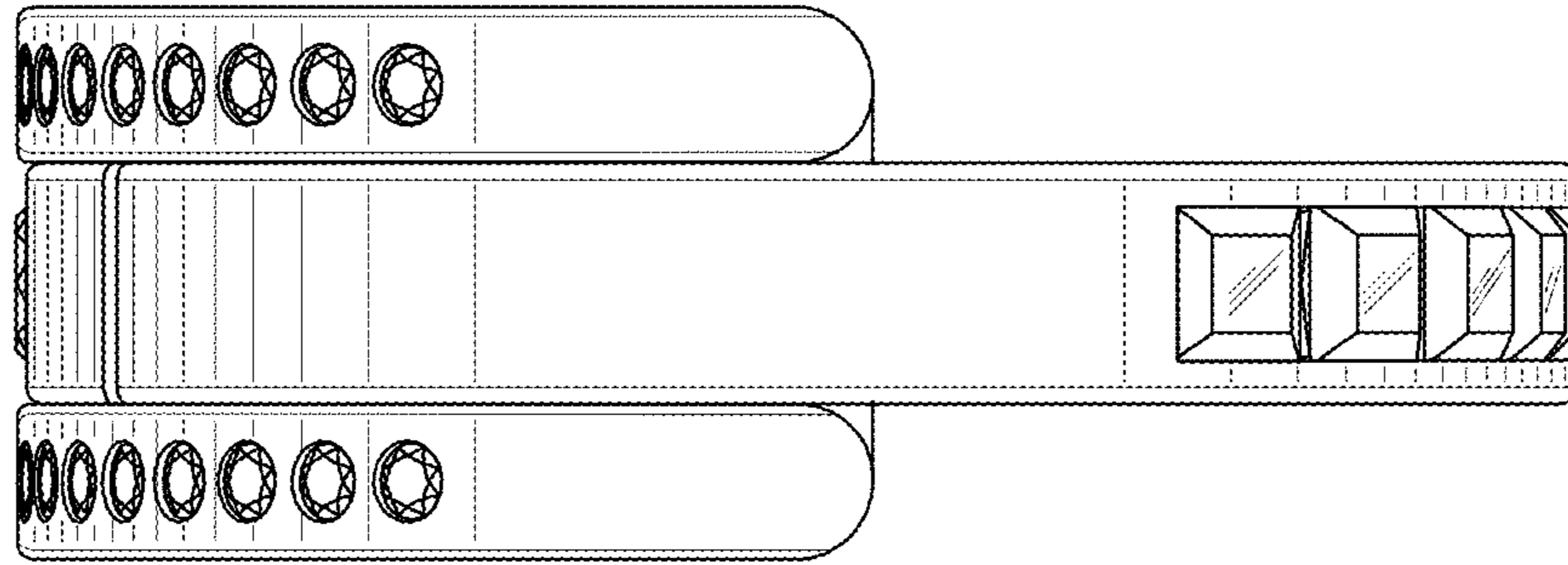


Fig 17

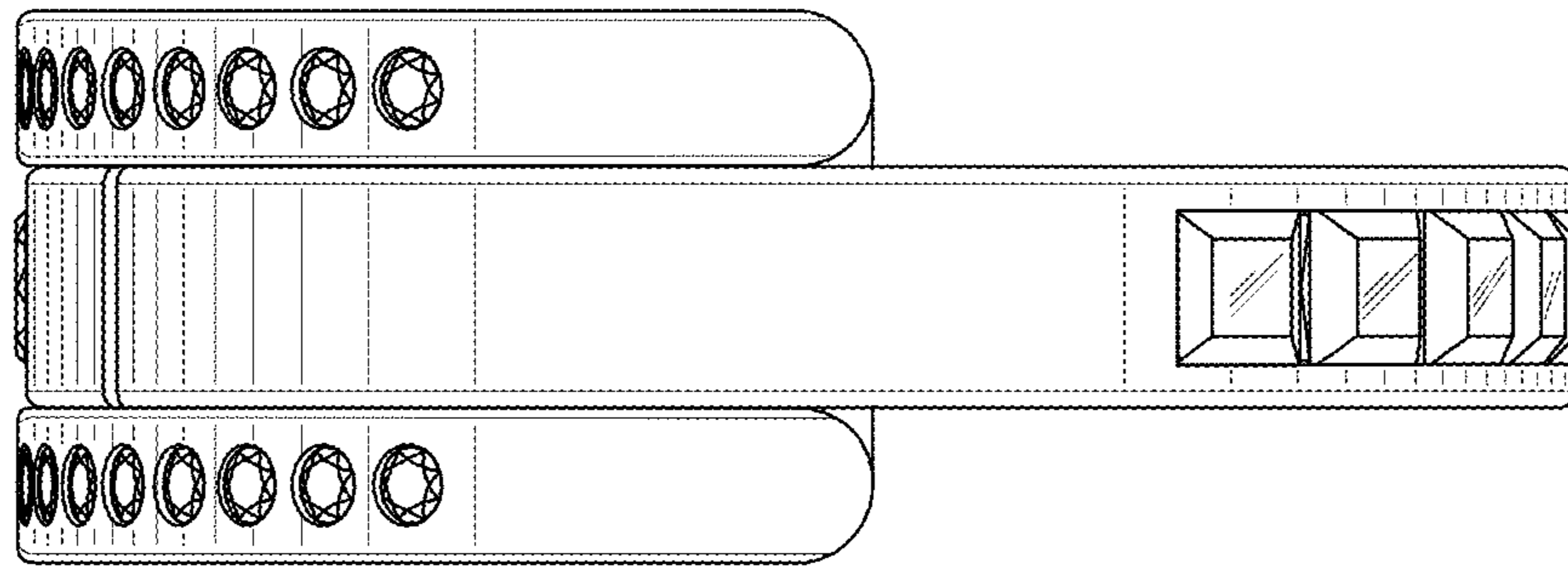


Fig 18



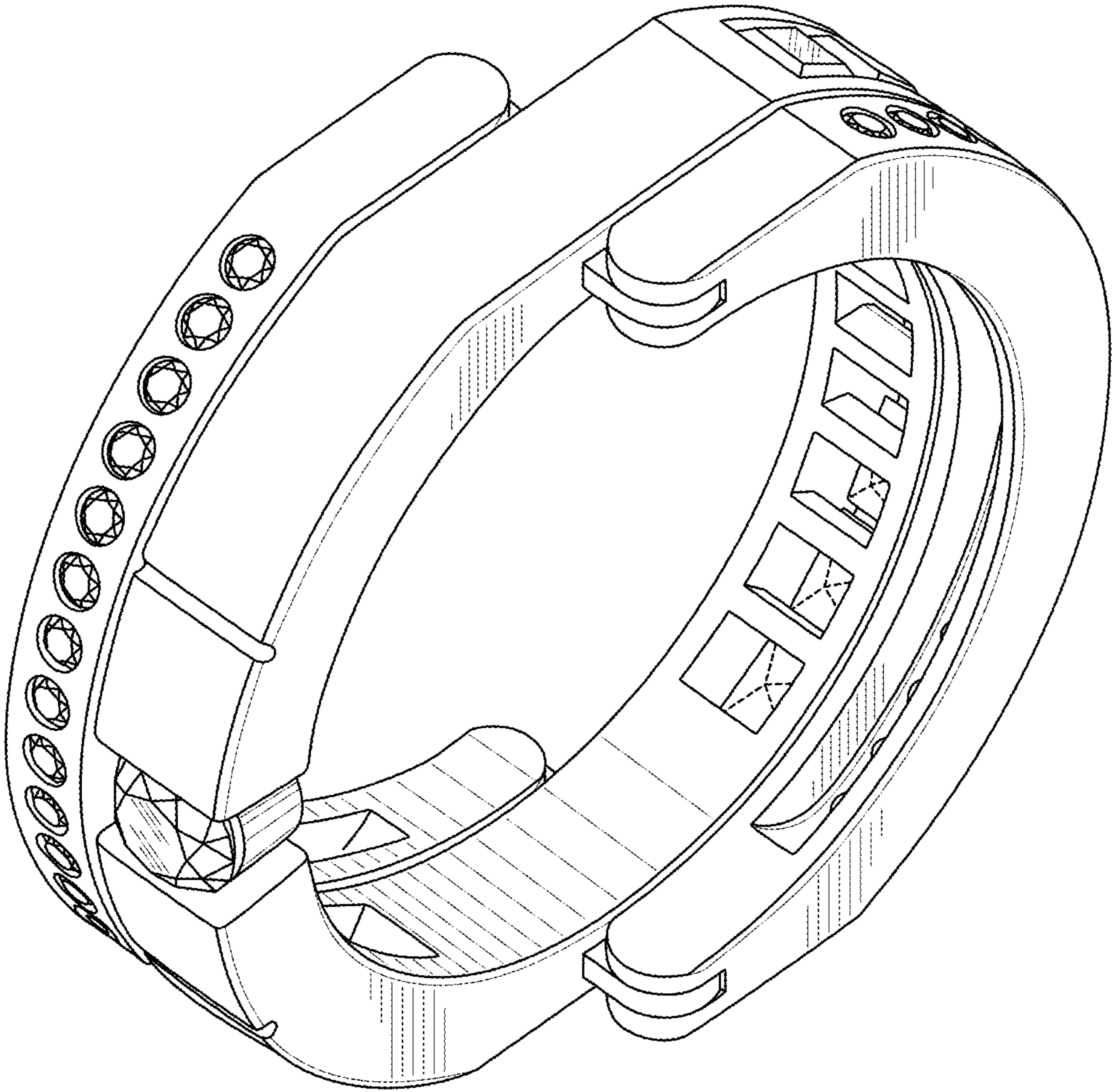


Fig 19

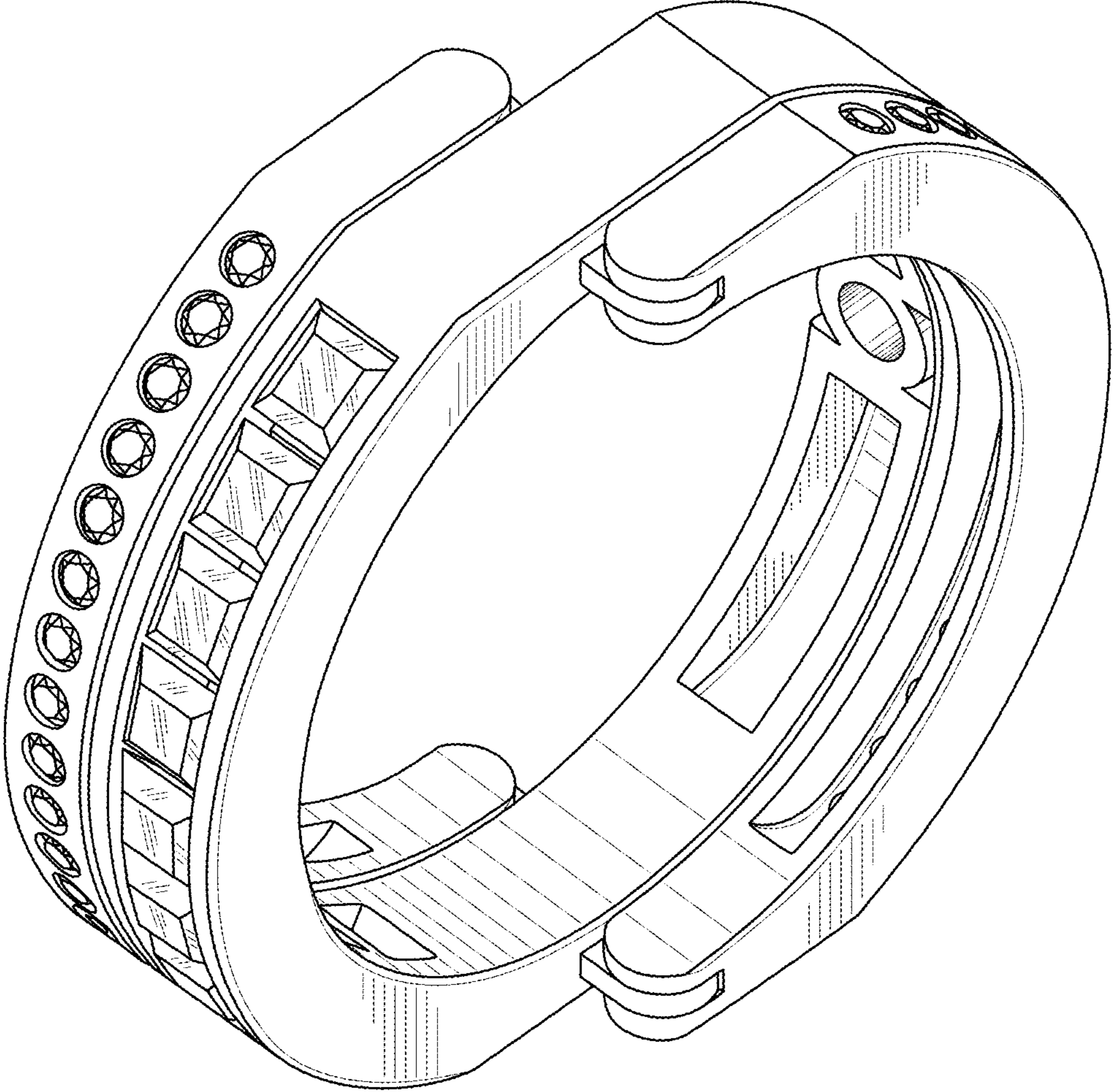


Fig 20

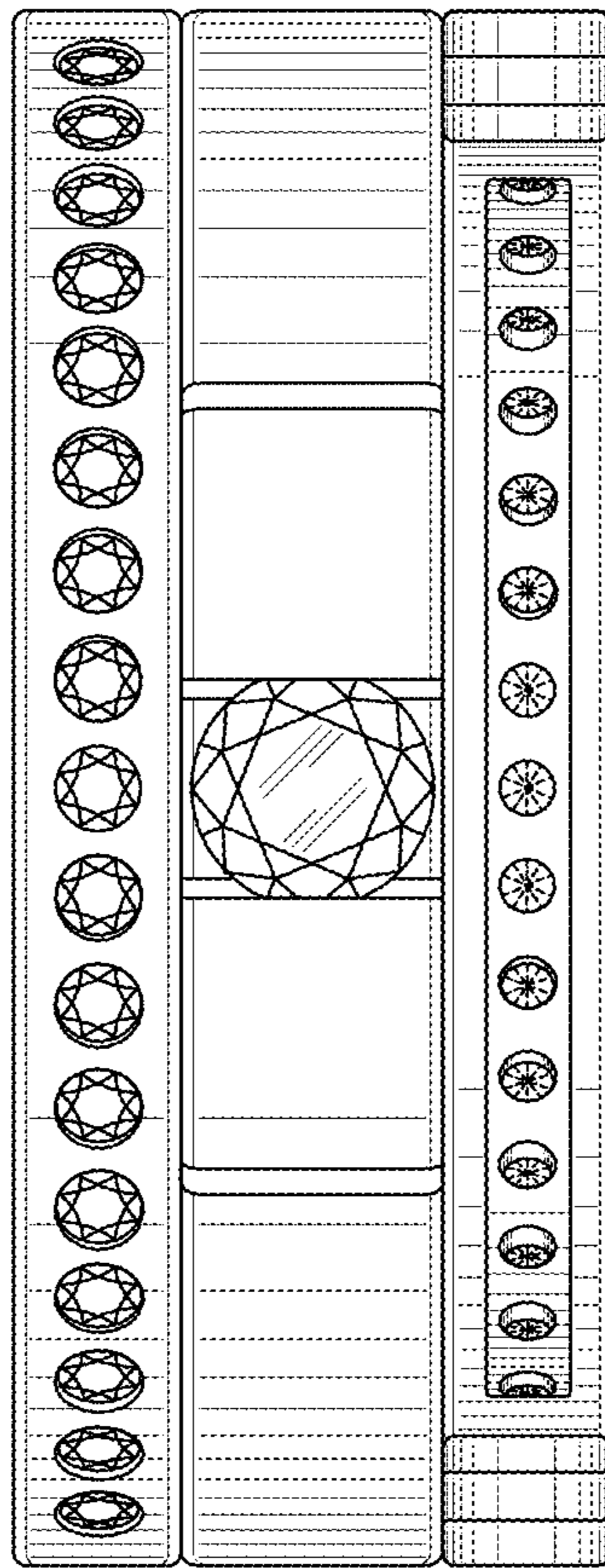


Fig 21

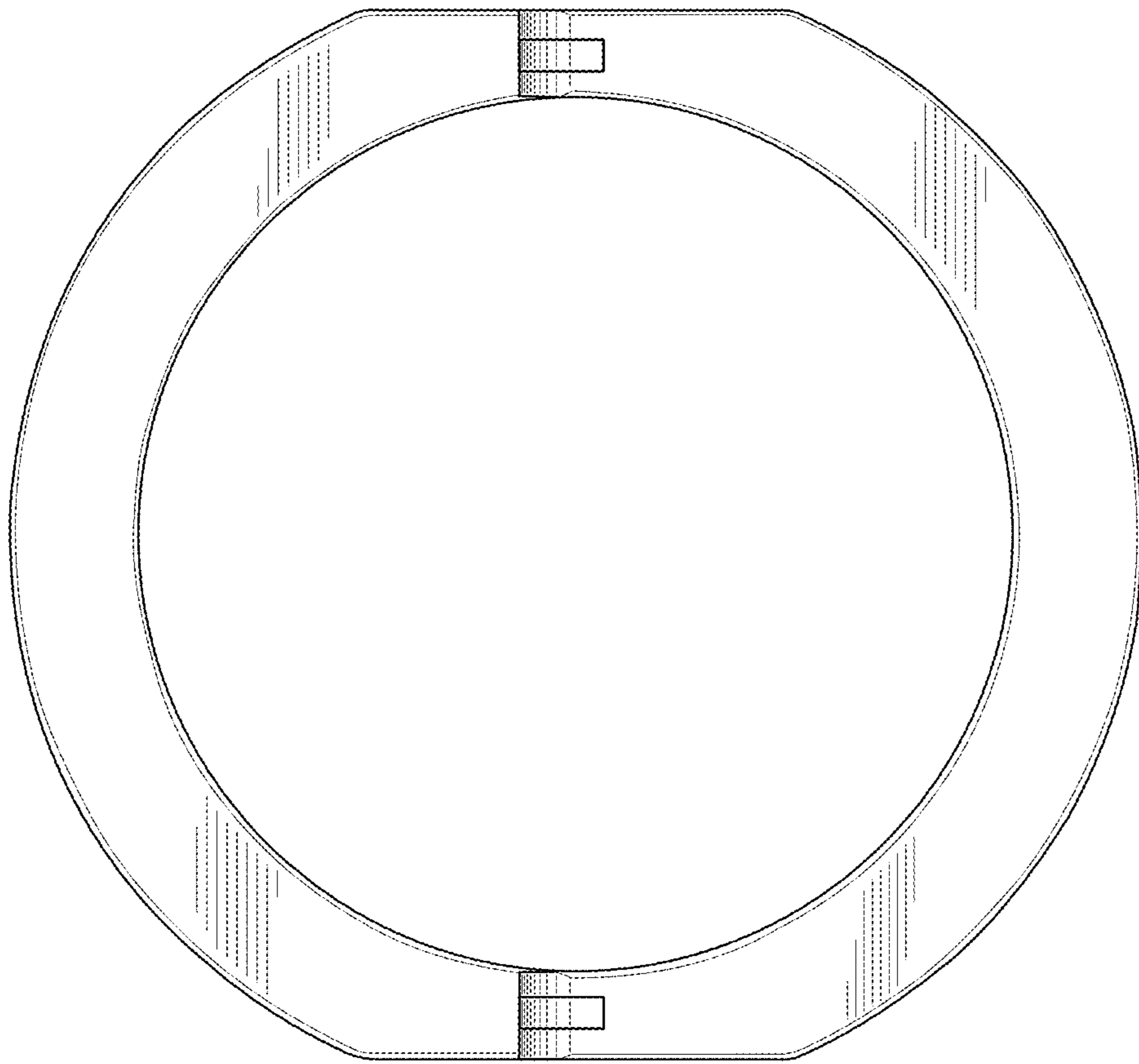


Fig 22



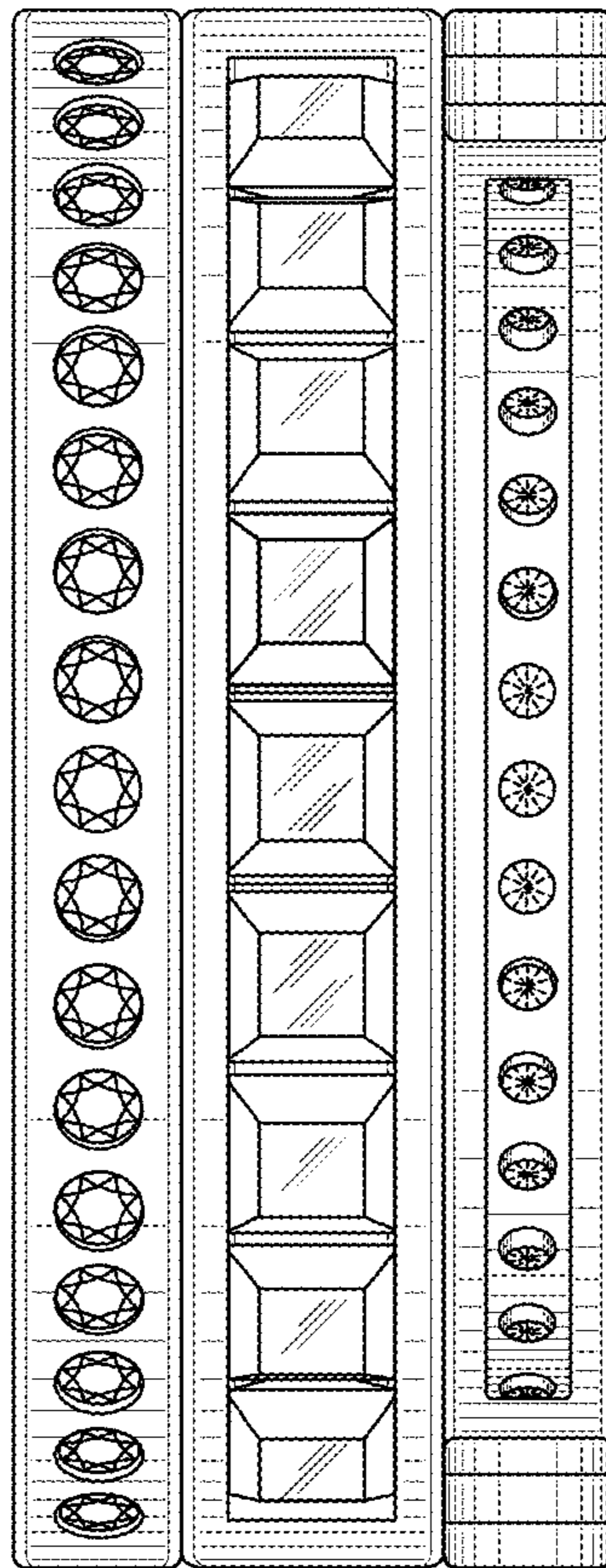


Fig 23

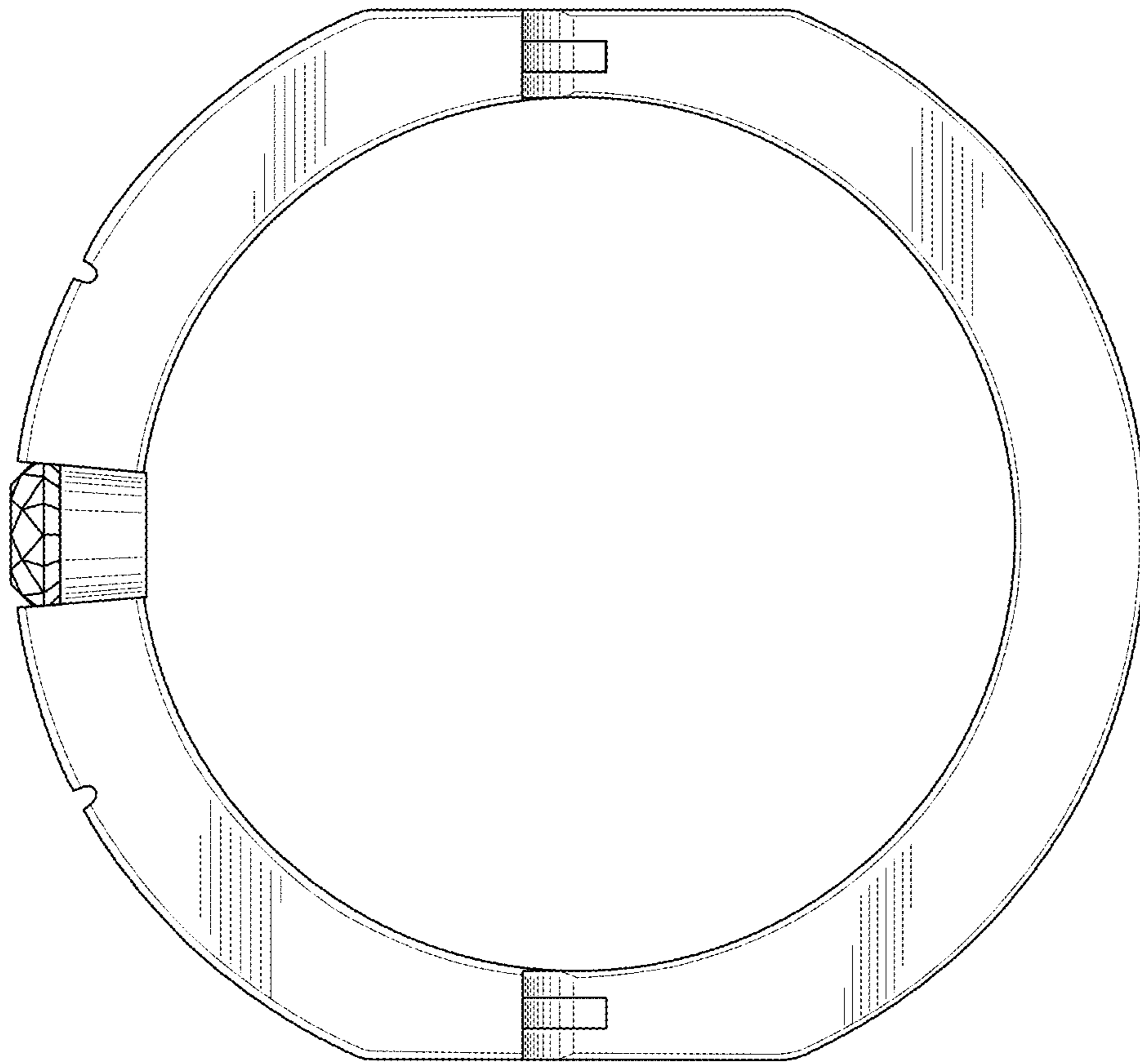


Fig 24

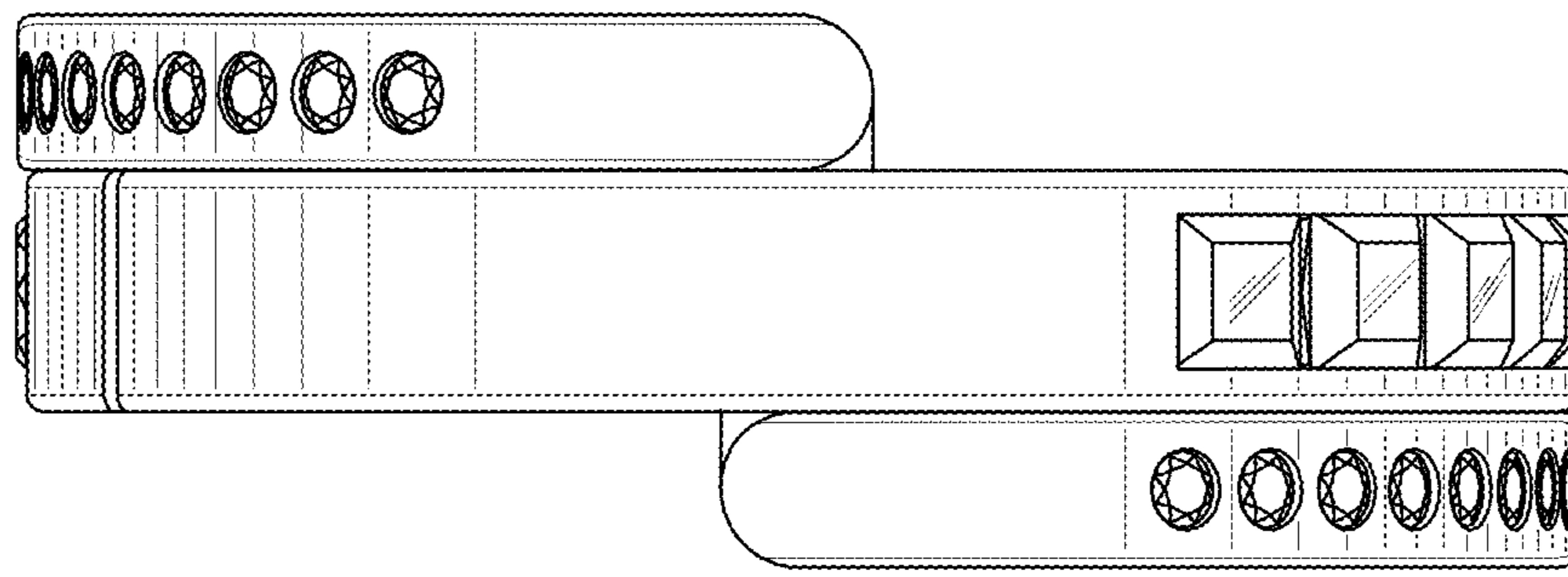


Fig 25

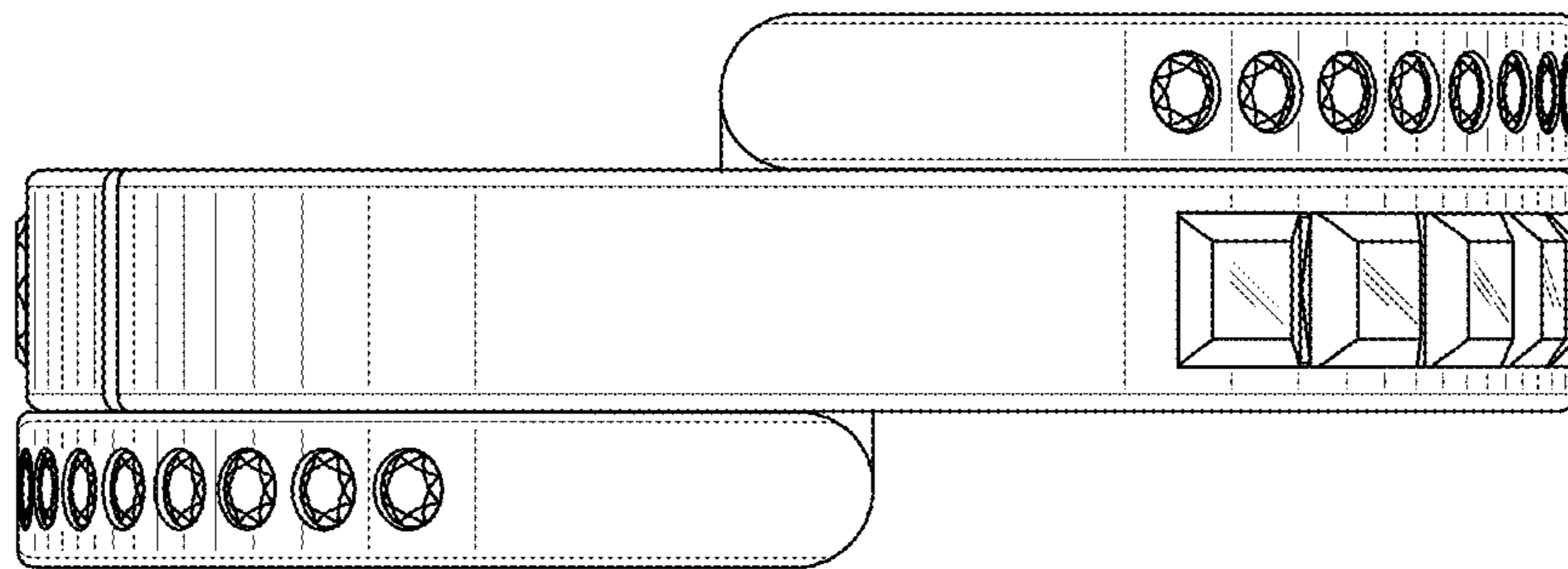


Fig 26

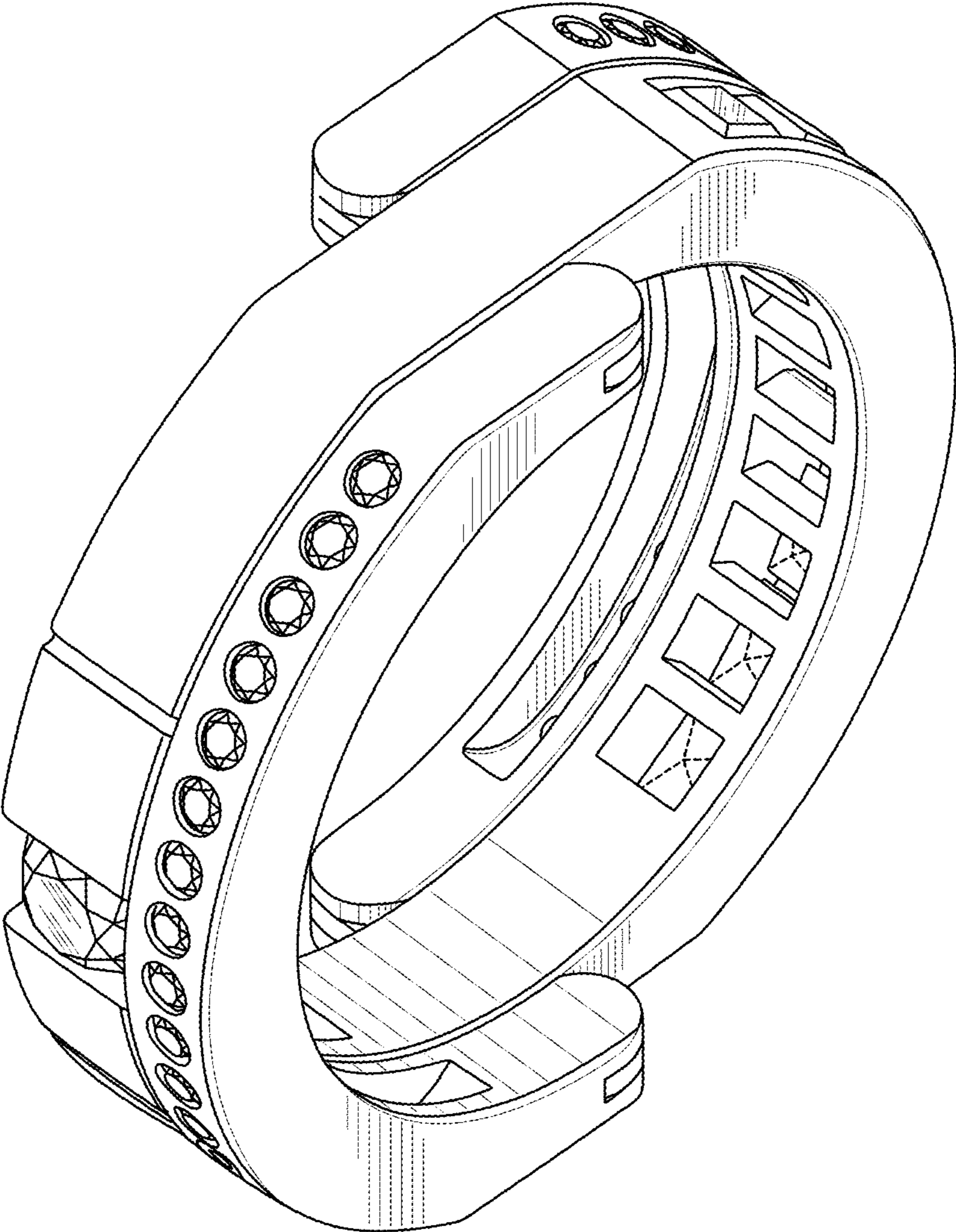


Fig 27



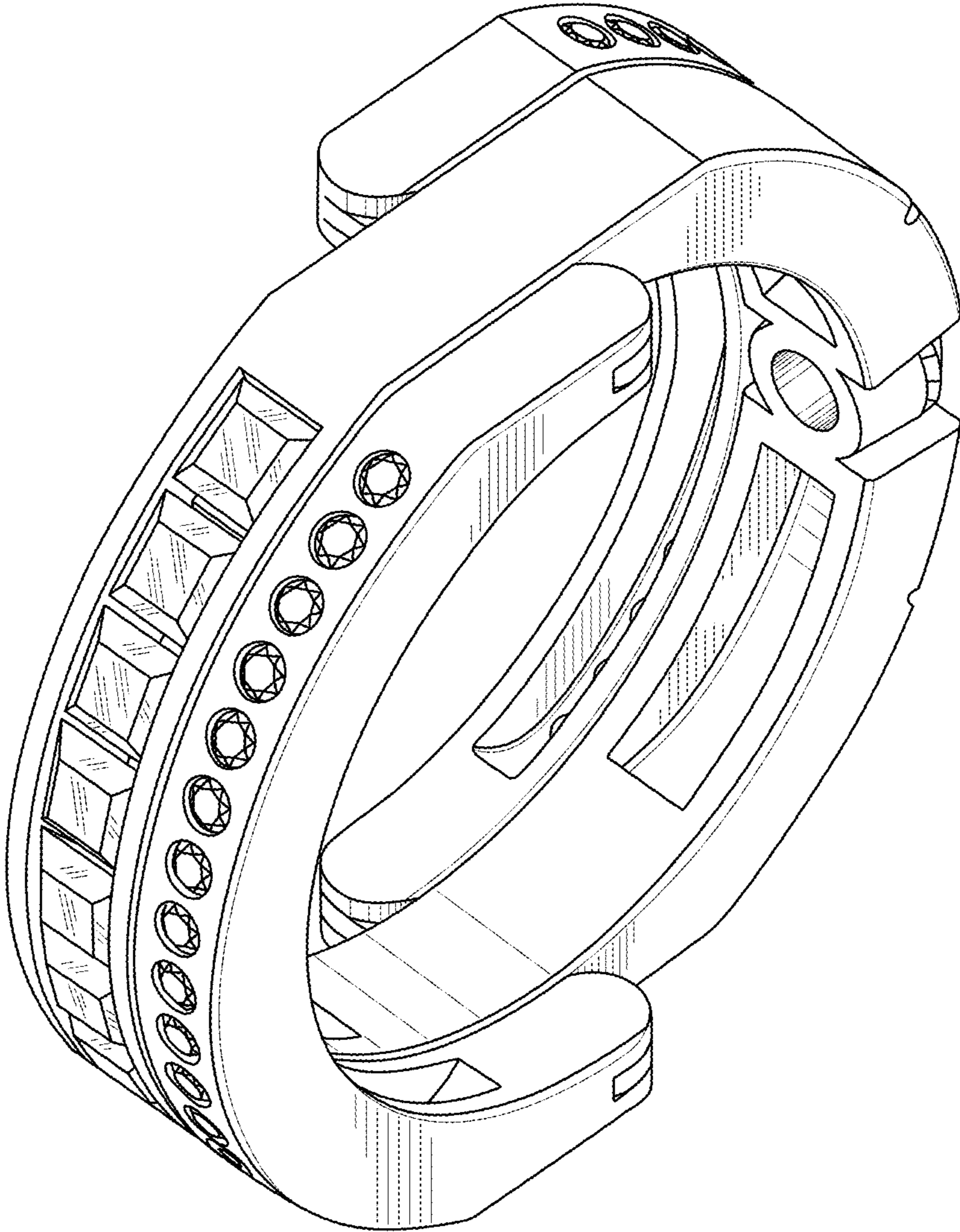


Fig 28

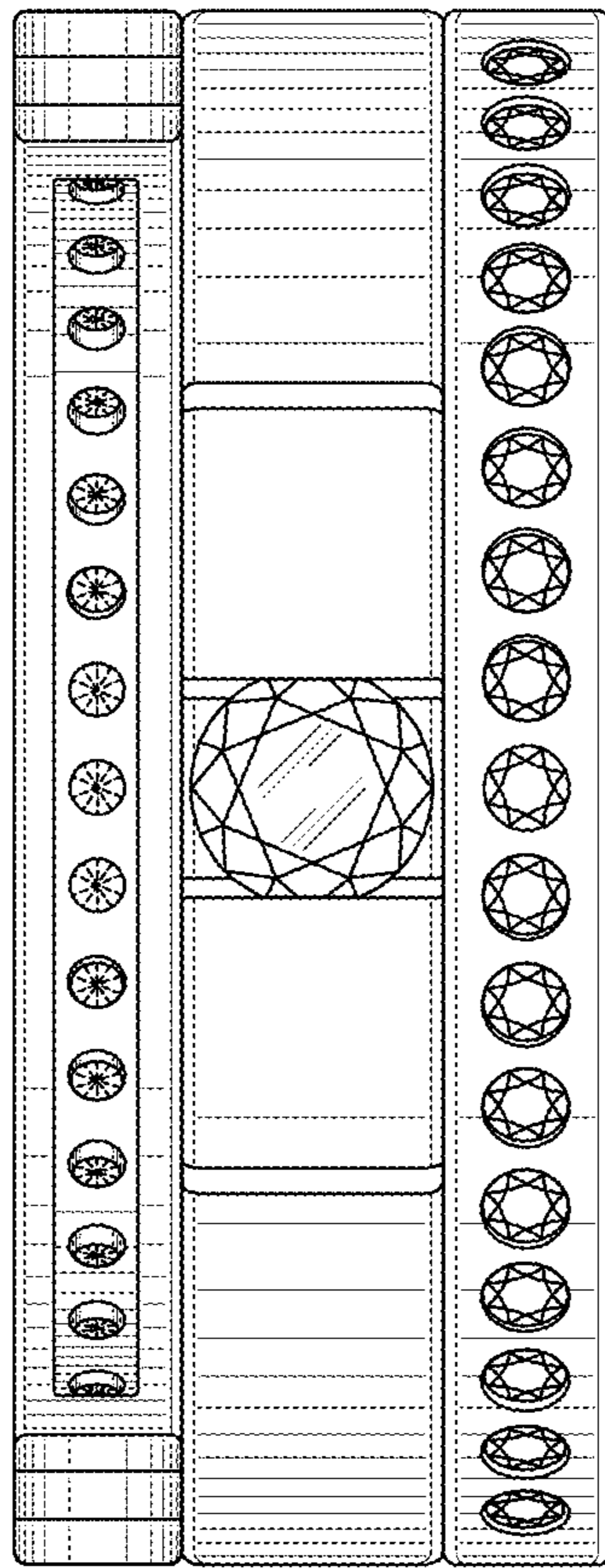


Fig 29

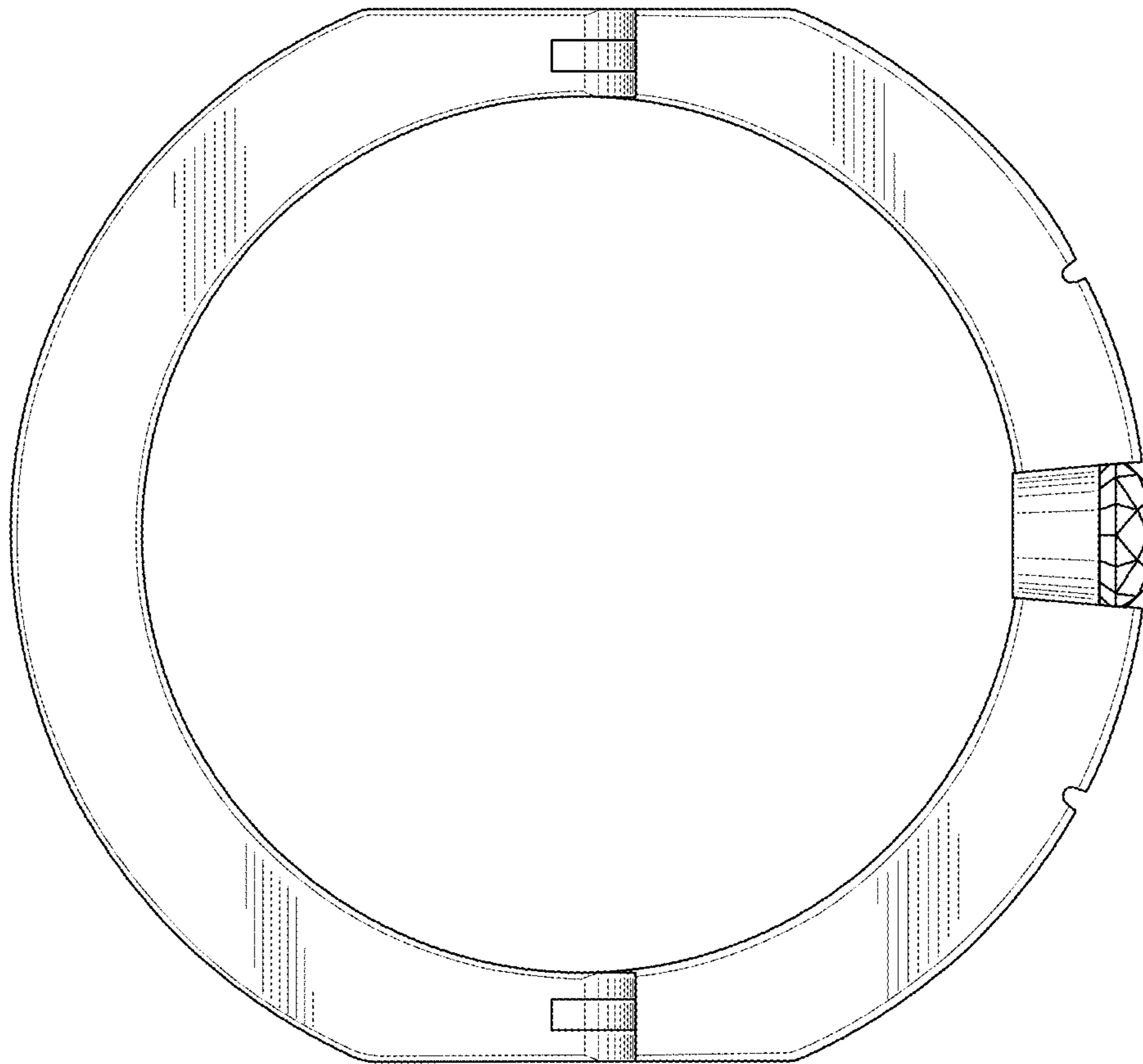


Fig 30

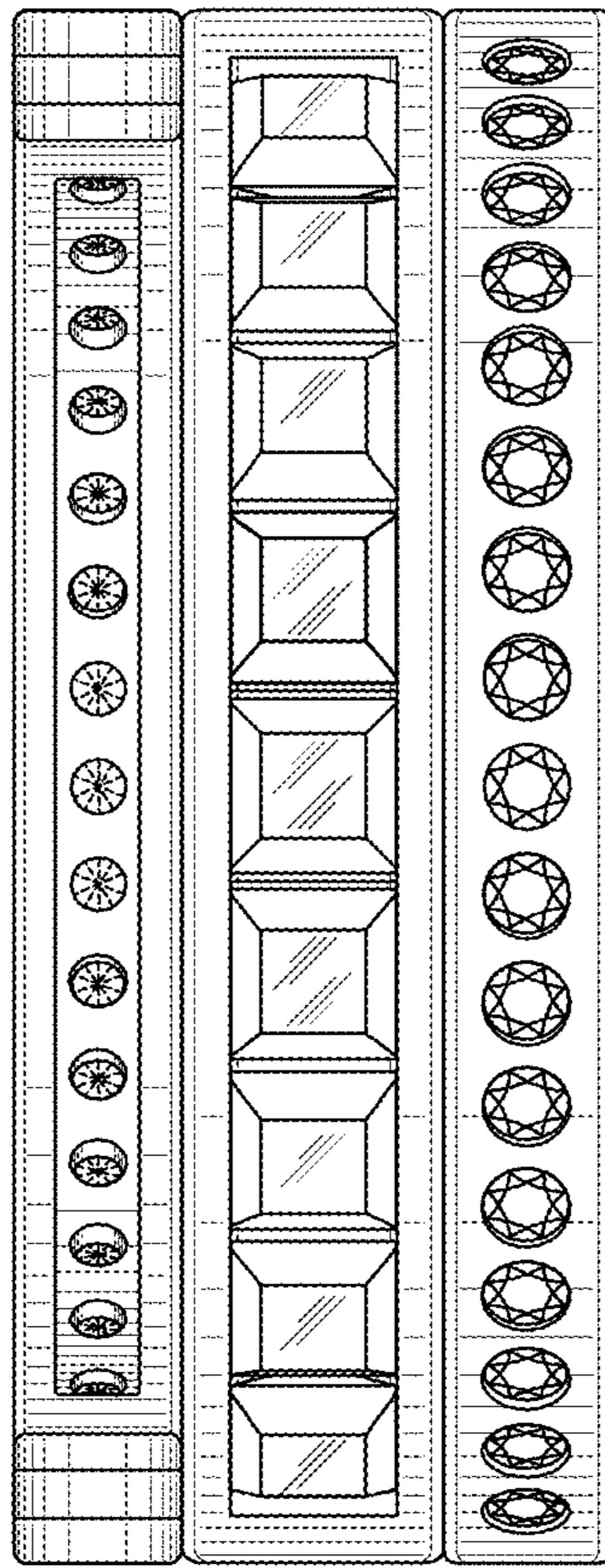


Fig 31

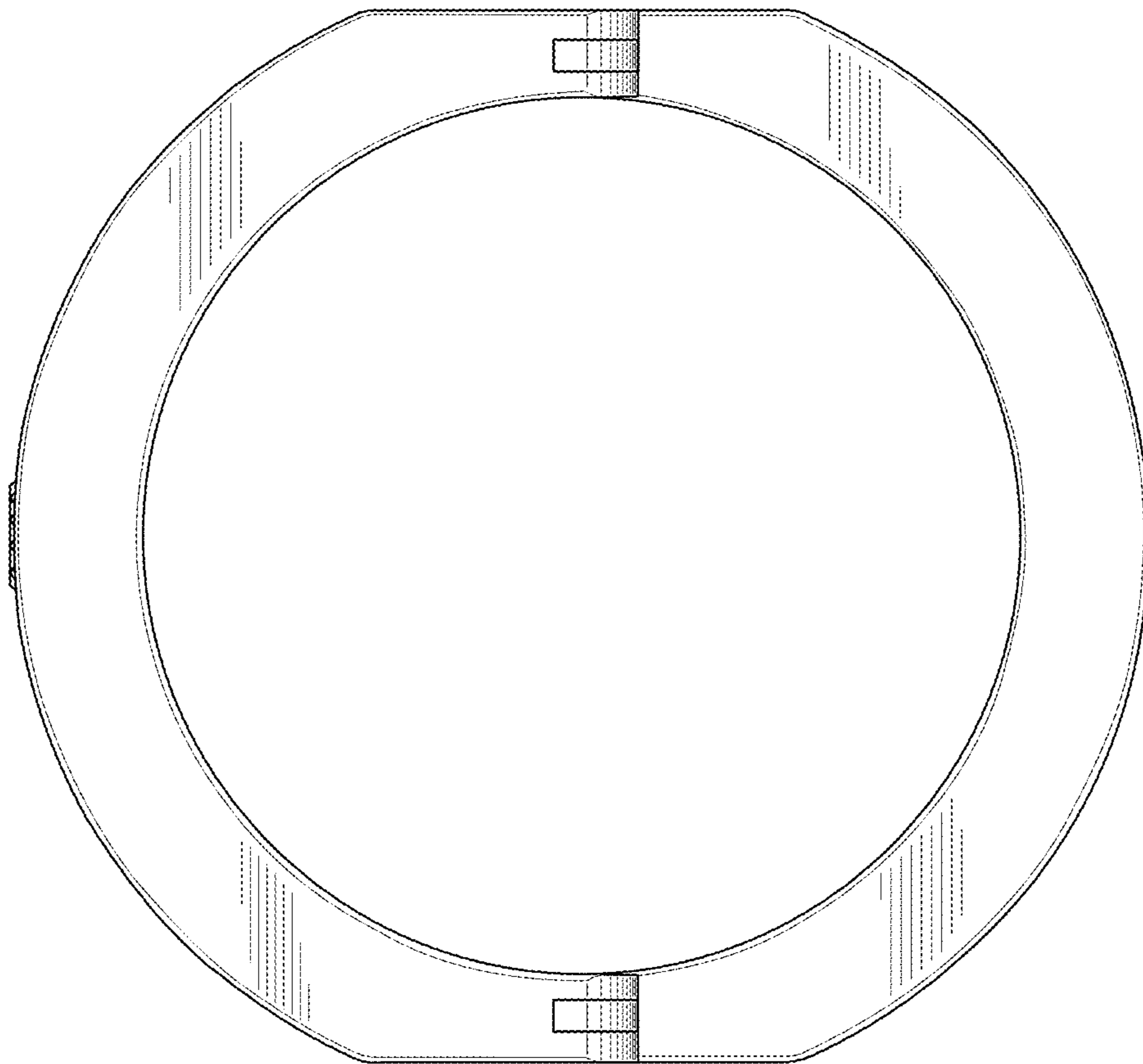


Fig 32



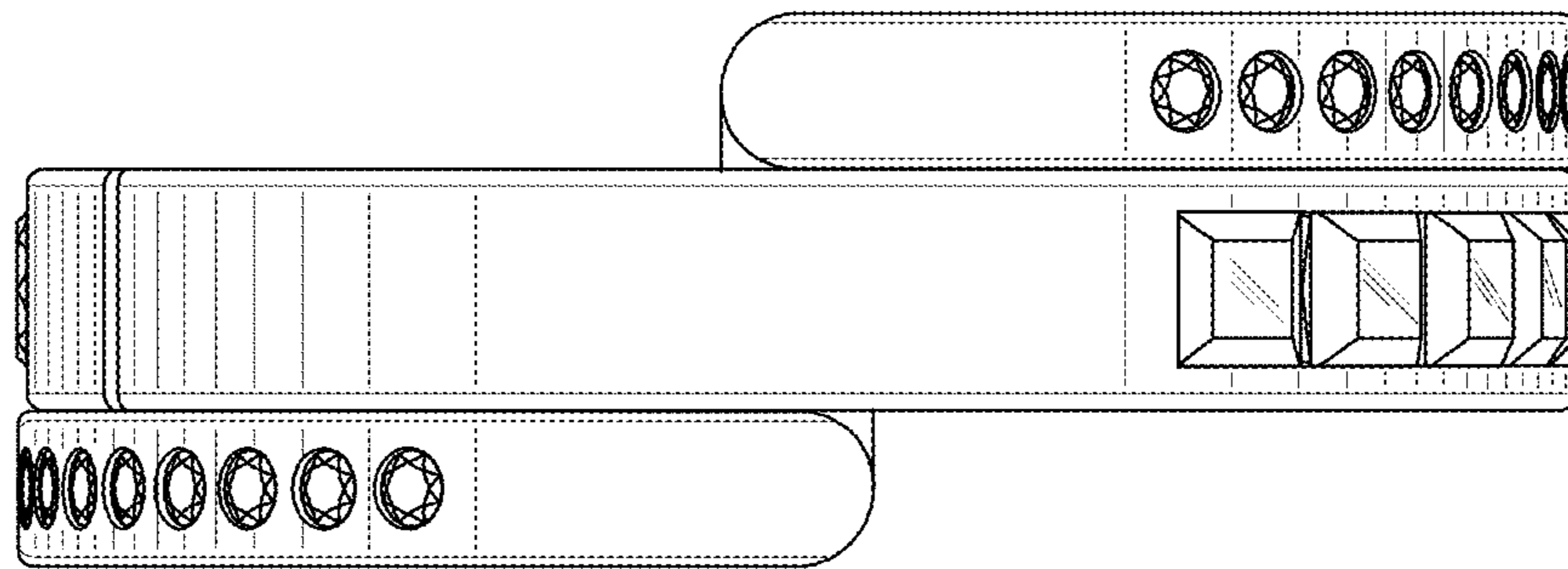


Fig 33

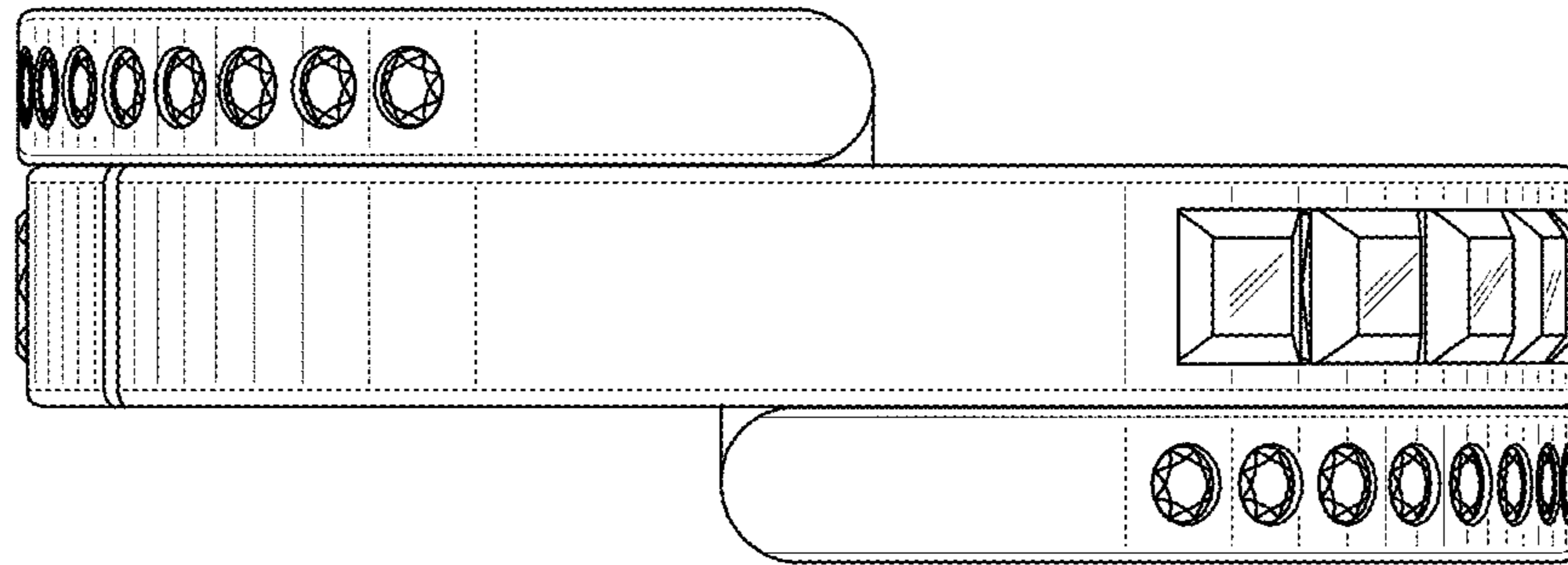


Fig 34

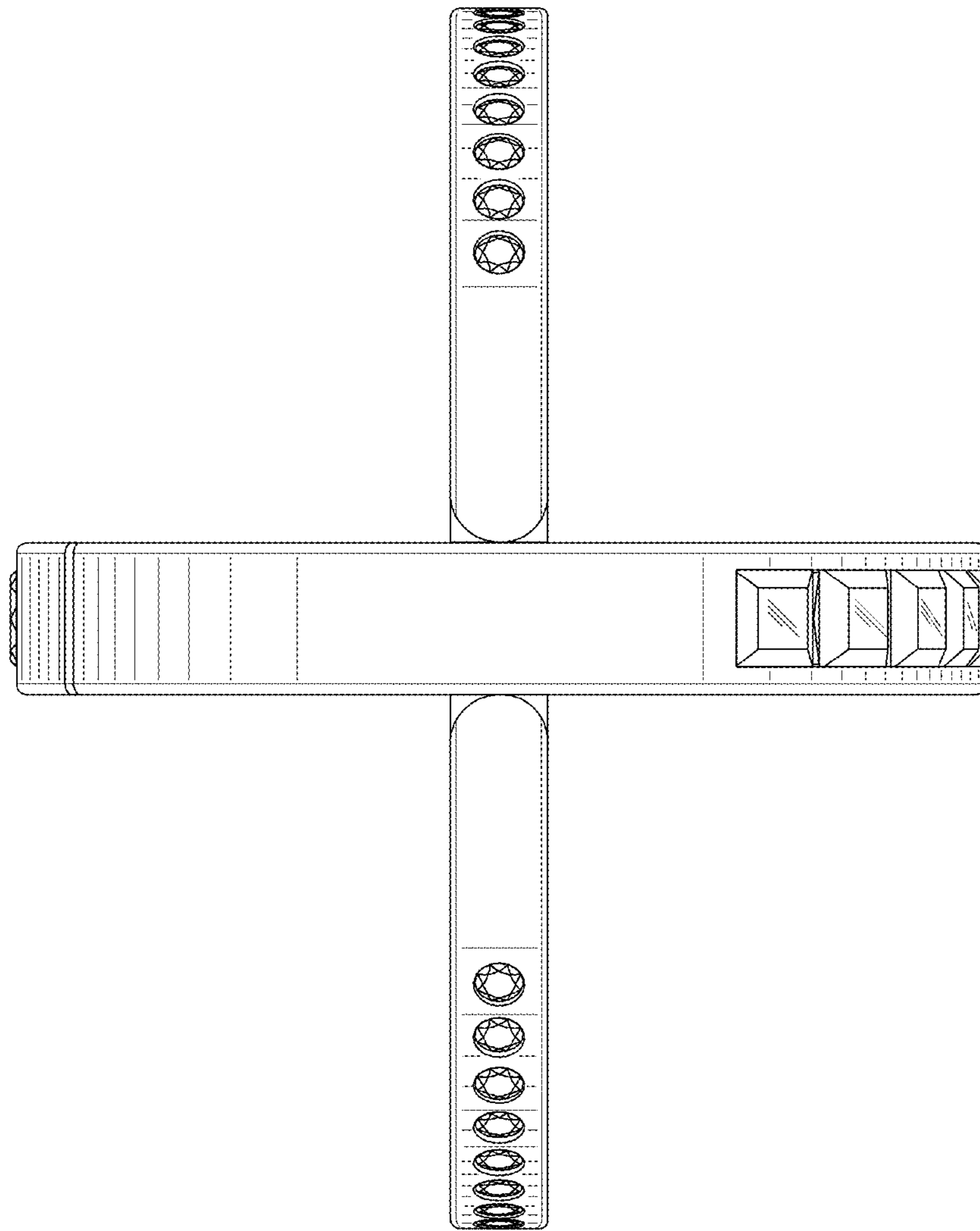


Fig 35

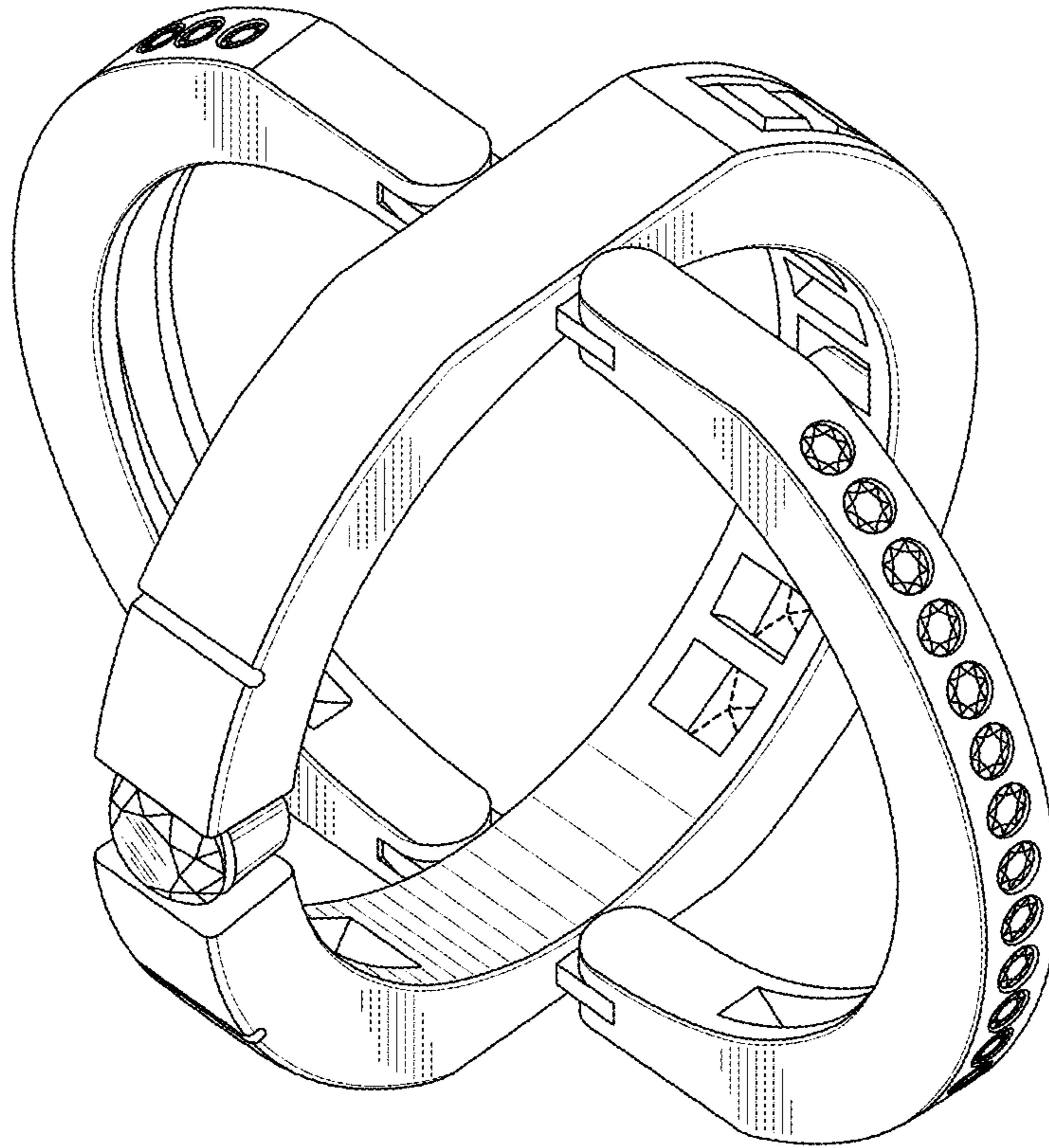


Fig 36

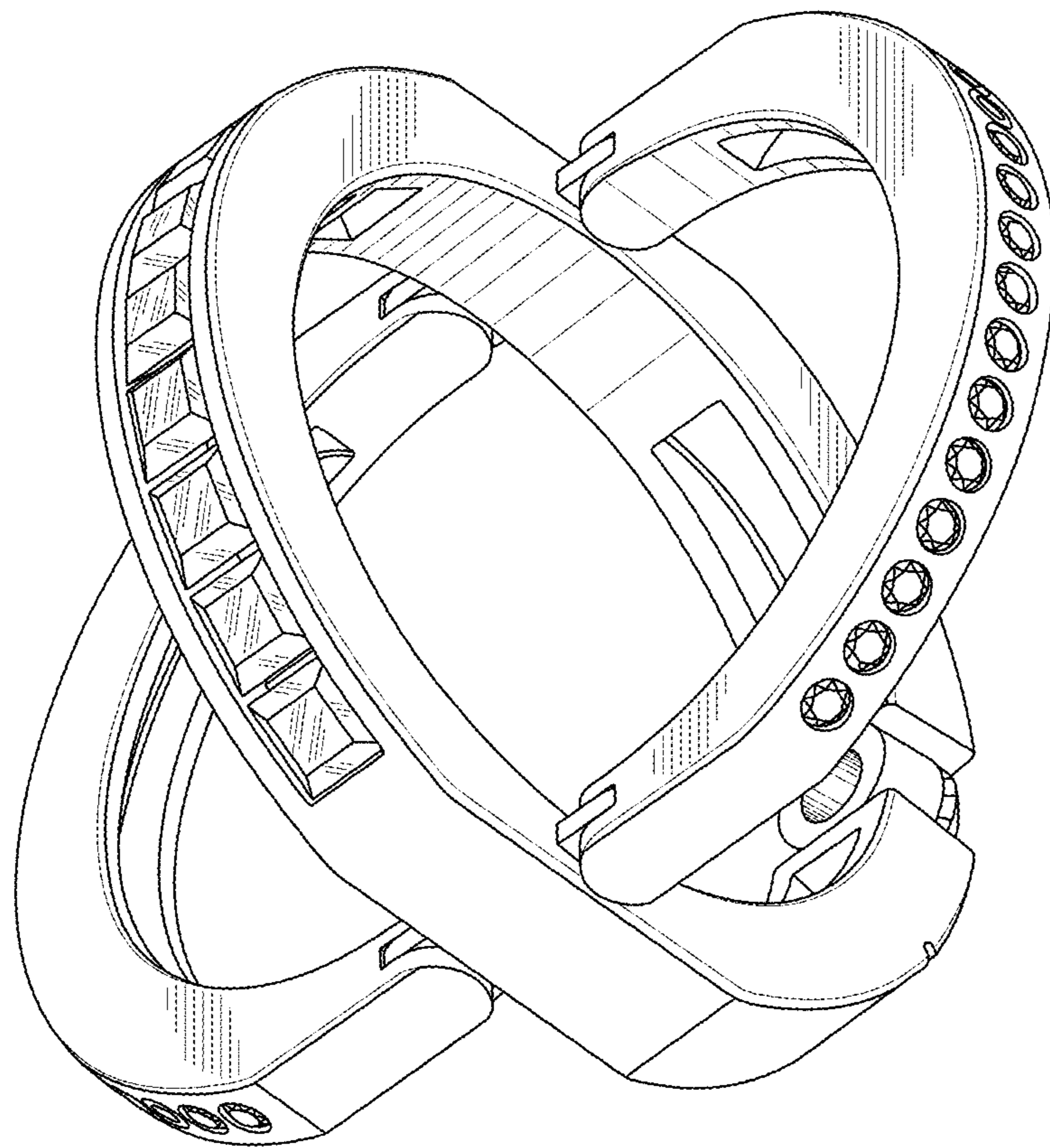


Fig 37