



US00D889304S

(12) **United States Design Patent**
Paschke et al.

(10) **Patent No.:** **US D889,304 S**
(45) **Date of Patent:** **** Jul. 7, 2020**

(54) **BAND**

(71) Applicant: **Fitbit, Inc.**, San Francisco, CA (US)
(72) Inventors: **Brian Dennis Paschke**, San Francisco, CA (US); **Jonah Avram Becker**, San Francisco, CA (US); **Stephanie Lydia Renee Choplin**, San Francisco, CA (US)
(73) Assignee: **FITBIT, INC.**, San Francisco, CA (US)
(**) Term: **15 Years**

(21) Appl. No.: **29/593,261**

(22) Filed: **Feb. 7, 2017**

(51) **LOC (12) Cl.** **11-01**

(52) **U.S. Cl.**
USPC **D11/3**

(58) **Field of Classification Search**
USPC D11/1-33; D10/31, 32, 38, 70; D14/344; D24/167, 184
CPC A44C 5/00; A44C 5/0007; A44C 5/0015; A44C 5/0023; A44C 5/003; A44C 5/0053; A44C 5/12; A44C 5/14; A44C 5/142; A44C 5/147; A44C 5/16; A44C 5/18; A44C 11/00; A44C 13/00; G04B 37/00; G04B 37/0008; G04B 37/0016; G04B 37/0033;

(Continued)

(56) **References Cited**

U.S. PATENT DOCUMENTS

128,447 A 6/1872 Yeiser
134,735 A 1/1873 Cornell

(Continued)

FOREIGN PATENT DOCUMENTS

CN 302903439 S 8/2014
CN 207544504 U 6/2018
WO 2017121662 A1 7/2017

OTHER PUBLICATIONS

U.S. Office Action, dated Aug. 4, 2014, issued in U.S. Appl. No. 29/468,506.

(Continued)

Primary Examiner — Llorelys Martinez
(74) *Attorney, Agent, or Firm* — Polson Intellectual Property Law, PC; Margaret Polson

(57) **CLAIM**

The ornamental design for a band, as shown and described.

DESCRIPTION

FIG. 1 is a front view of a first portion of a band, showing our new design.

FIG. 2 is a back view of FIG. 1.

FIG. 3 is a side view of FIG. 1.

FIG. 4 is an opposite side view of FIG. 1.

FIG. 5 is a top view of FIG. 1.

FIG. 6 is a bottom view of FIG. 1.

FIG. 7 is a front isometric view of FIG. 1.

FIG. 8 is a back isometric view of FIG. 1.

FIG. 9 is a front view of a second portion of the band, showing our new design.

FIG. 10 is a back view of FIG. 9.

FIG. 11 is a side view of FIG. 9.

FIG. 12 is an opposite side view of FIG. 9.

FIG. 13 is a top view of FIG. 9.

FIG. 14 is a bottom view of FIG. 9.

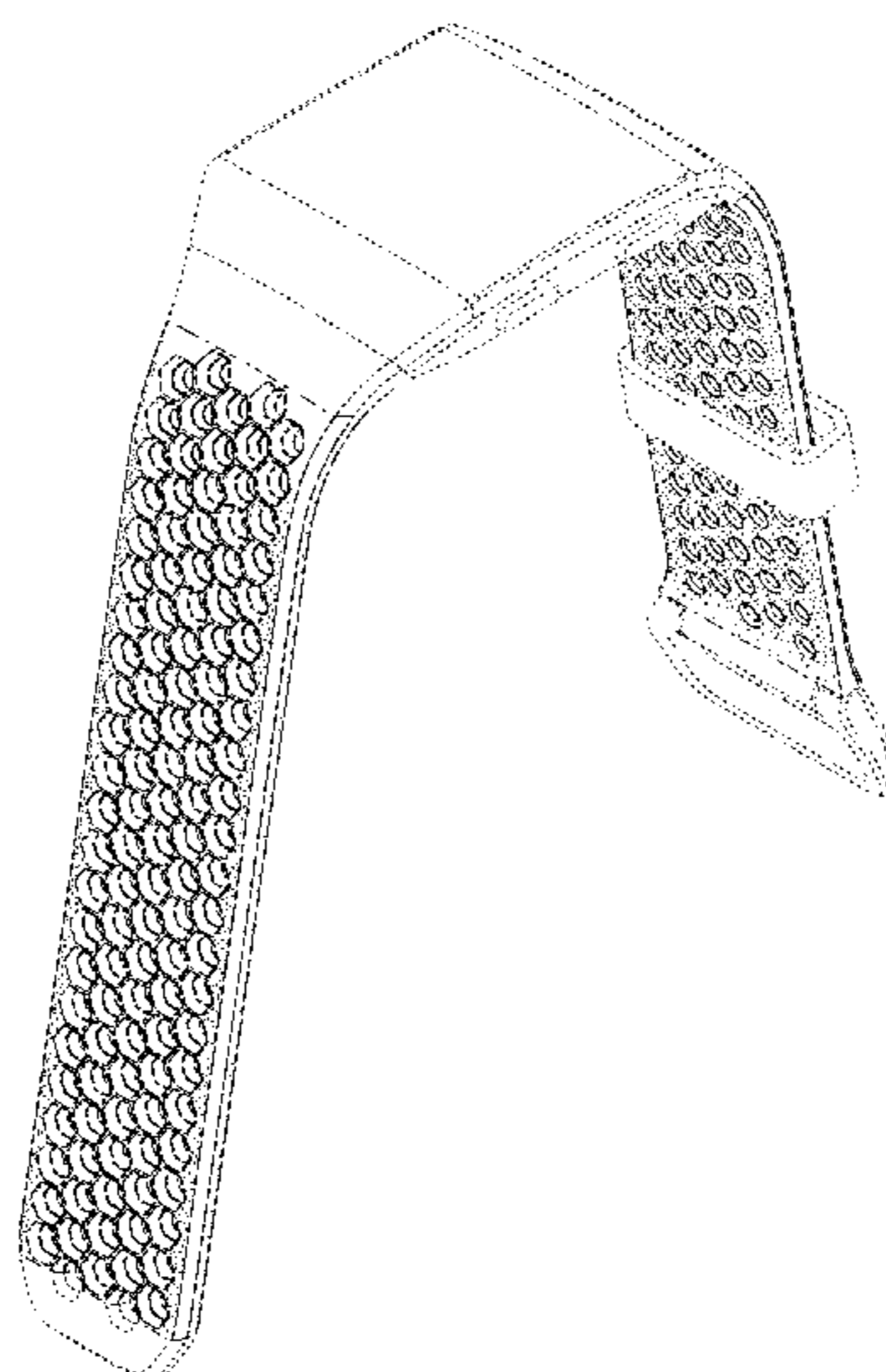
FIG. 15 is a front isometric view of FIG. 9;

FIG. 16 is a back isometric view of FIG. 9; and,

FIG. 17 is a perspective view thereof, showing the first and second portions of the band assembled in an environment of use.

The broken lines in the drawings illustrate portions of the band that form no part of the claimed design. The dot dash line illustrate unclaimed boundaries and form no part of the claimed design.

1 Claim, 5 Drawing Sheets



- (58) **Field of Classification Search**
 CPC .. G04B 37/0041; G04B 37/12; G04B 37/127;
 G04B 37/18; A44B 11/006; A44B 11/20;
 A44B 11/24
 See application file for complete search history.

(56) **References Cited**

U.S. PATENT DOCUMENTS

D44,545	S	8/1913	Robbins	
1,120,961	A	12/1914	Morse	
1,135,409	A	4/1915	Simmons	
1,403,600	A	1/1922	Grand et al.	
1,621,325	A	3/1927	Kraemer	
1,709,179	A	4/1929	Lederer	
D82,186	S	9/1930	Speidel	
2,106,540	A	1/1938	Smith	
2,211,698	A	8/1940	Kreisler et al.	
D141,753	S	7/1945	Du Bois	
2,650,398	A	9/1953	Bangs	
2,656,673	A	10/1953	Mattson, Jr.	
2,871,592	A	2/1959	Polzin	
2,901,806	A	9/1959	Henshel	
2,986,794	A	6/1961	Boots	
3,030,686	A	4/1962	Burkhardt	
3,237,395	A	3/1966	Bennett	
3,675,284	A	7/1972	Rieth	
3,740,804	A	6/1973	Levinger	
RE28,793	E	5/1976	Bert	
4,006,587	A	2/1977	Huguenin	
4,106,677	A	8/1978	Helms et al.	
D249,455	S	9/1978	Tilley	
D254,964	S	5/1980	Hofman	
4,348,000	A	9/1982	Hanner	
4,382,318	A	5/1983	Takimoto	
4,386,795	A	6/1983	Charles et al.	
4,417,821	A	11/1983	Herchenbach	
D272,759	S	2/1984	Koziol	
D281,405	S	11/1985	Bulgari	
D285,422	S	9/1986	Grimes	
D291,423	S	8/1987	Lajoie	
D299,718	S	2/1989	Steer et al.	
D305,422	S	1/1990	Steer et al.	
D311,706	S	10/1990	Zaugg et al.	
D315,111	S	3/1991	Rogalski	
D323,787	S	2/1992	Moorman	
D327,440	S	6/1992	Galli	
D331,020	S	11/1992	Ishii et al.	
D333,446	S	2/1993	Butler	
D333,994	S	3/1993	Mesnard	
D336,866	S	6/1993	Tasou	
D339,748	S	* 9/1993	Choi D10/32	
D349,257	S	8/1994	Polenberg	
D349,468	S	8/1994	Souren	
D383,073	S	9/1997	Miller	
D386,696	S	11/1997	Walch	
D387,692	S	12/1997	Hanagata	
5,795,300	A	8/1998	Bryars	
D400,112	S	10/1998	Rider	
D405,381	S	2/1999	Perrin et al.	
D407,341	S	3/1999	Oshita	
5,951,193	A	9/1999	Yamamoto et al.	
D445,041	S	7/2001	Tan et al.	
D449,008	S	10/2001	Sargent	
D455,093	S	4/2002	Fitzgerald	
D471,471	S	3/2003	Fu et al.	
D480,653	S	10/2003	Lo	
6,738,317	B2	5/2004	Nussbaum	
D500,688	S	1/2005	Schwarz	
6,982,930	B1	1/2006	Hung	
D517,441	S	3/2006	Heatherly et al.	
D528,439	S	9/2006	Burton	
D528,928	S	9/2006	Burton	
D535,055	S	1/2007	Been et al.	
D536,265	S	2/2007	Reynoso	
D538,687	S	3/2007	Komulainen	
D545,220	S	6/2007	Leung	

D548,128	S	8/2007	Andren et al.
D549,602	S	8/2007	Oberrieder et al.
D550,105	S	9/2007	Oberrieder et al.
D550,112	S	9/2007	Andren et al.
D553,512	S	10/2007	Tang
D556,194	S	11/2007	Rambosek et al.
7,293,332	B2	11/2007	Maillard
7,311,526	B2	12/2007	Rohrbach et al.
D559,723	S	1/2008	Kraus et al.
D560,520	S	1/2008	Oberrieder et al.
D562,713	S	2/2008	Hurlimann
D564,367	S	3/2008	Molyneux
D567,227	S	4/2008	Hada
D567,676	S	4/2008	Tang
D568,768	S	5/2008	Tang
D569,282	S	5/2008	Daniel
D573,905	S	7/2008	Poirier
D576,908	S	9/2008	Gruenke
D580,277	S	11/2008	Brady et al.
D581,826	S	12/2008	Molyneux
D584,974	S	1/2009	Fukuda et al.
D586,673	S	2/2009	Kobayakawa
D586,674	S	2/2009	Solarewicz
D589,375	S	3/2009	Tang
7,529,155	B2	5/2009	Fasciano
D595,163	S	6/2009	Kim et al.
D595,858	S	7/2009	Kazel
7,575,368	B2	8/2009	Guillaume
D599,681	S	9/2009	Chen
D602,386	S	10/2009	Ueda et al.
D606,423	S	12/2009	Mille
D610,476	S	2/2010	Daniel
D621,808	S	8/2010	Kim
D630,582	S	1/2011	Dai et al.
D635,873	S	4/2011	Ogihara et al.
D636,686	S	4/2011	Cobbett et al.
D637,094	S	5/2011	Cobbett et al.
D637,506	S	5/2011	Toyoshima et al.
D638,327	S	5/2011	Cobbett et al.
D638,736	S	5/2011	Cobbett et al.
D640,367	S	6/2011	Lin et al.
D643,772	S	8/2011	Mikkelsen
D645,360	S	9/2011	Kiser et al.
D656,856	S	4/2012	Kleinberg
D664,880	S	8/2012	Cobbett et al.
D664,881	S	8/2012	Cobbett et al.
D664,882	S	8/2012	Cobbett et al.
D667,126	S	9/2012	Cho et al.
8,275,327	B2	9/2012	Yi et al.
D669,382	S	10/2012	Alvarez et al.
D669,383	S	10/2012	Cobbett et al.
D669,384	S	10/2012	Alvarez et al.
8,296,983	B2	10/2012	Padgett et al.
D670,583	S	11/2012	Shaanan
D671,858	S	12/2012	Cobbett et al.
D672,667	S	12/2012	Mix
8,370,549	B2	2/2013	Burton et al.
D677,190	S	3/2013	Cobbett et al.
D680,020	S	4/2013	Cobbett et al.
D680,651	S	4/2013	Lumme et al.
8,408,436	B2	4/2013	Berry et al.
D682,718	S	5/2013	Azuma
D684,082	S	6/2013	Alvarez et al.
D684,497	S	6/2013	Cobbett et al.
8,568,313	B2	10/2013	Sadu
D693,251	S	11/2013	Anderssen et al.
D693,708	S	11/2013	Brigham
D700,083	S	2/2014	Brigham
D703,069	S	4/2014	Adams et al.
D706,159	S	6/2014	Ma
D707,583	S	6/2014	Kalemos
8,776,418	B1	7/2014	Martinez et al.
D714,179	S	9/2014	Park et al.
D714,672	S	10/2014	Park et al.
D715,167	S	10/2014	Busse
D715,666	S	10/2014	Park et al.
D715,668	S	10/2014	Roush et al.
D718,171	S	11/2014	Fakesch
D718,647	S	12/2014	Roush et al.

(56)

References Cited

U.S. PATENT DOCUMENTS

D720,074 S	12/2014	Suvilaakso et al.	D749,569 S	2/2016	Ji et al.
D720,248 S	12/2014	Law	D750,622 S	3/2016	Chen et al.
D720,249 S	12/2014	Park et al.	D751,068 S	3/2016	Erbeus
D720,635 S	1/2015	Park et al.	D751,069 S	3/2016	Choi et al.
D721,609 S	1/2015	Duddy	D751,431 S	3/2016	Browning et al.
D721,701 S	1/2015	Al-Nasser	D751,452 S	3/2016	Henning
8,942,070 B1	1/2015	Shah	D751,549 S	3/2016	Park et al.
D722,316 S	2/2015	Seaberg	D752,043 S	3/2016	Ji et al.
D724,453 S	3/2015	Ogihara et al.	D752,046 S	3/2016	Jun
D724,479 S	3/2015	Cerrato	D752,578 S	3/2016	Ji et al.
D724,556 S *	3/2015	Choi D10/32	D756,250 S	5/2016	Lee
D725,510 S	3/2015	Henning	D756,824 S	5/2016	Akana et al.
D725,528 S	3/2015	Parmigiani	D756,832 S	5/2016	Riddiford et al.
D725,533 S	3/2015	Riddiford et al.	D757,574 S	5/2016	Song
8,967,437 B2	3/2015	Wilson	D757,583 S	5/2016	Roush et al.
D726,052 S	4/2015	Henning	D757,721 S	5/2016	Dallmeyer et al.
D726,056 S	4/2015	Riddiford et al.	D758,234 S	6/2016	Riddiford et al.
D726,062 S	4/2015	Silverstein	D759,011 S	6/2016	Akana et al.
D726,572 S	4/2015	Walters et al.	D759,516 S	6/2016	Ling et al.
D727,183 S	4/2015	Park et al.	D759,523 S	6/2016	Ling et al.
D727,759 S	4/2015	Martinez et al.	D759,622 S	6/2016	Dahlberg
9,004,329 B2	4/2015	Hsieh et al.	D759,623 S	6/2016	Dahlberg
D729,237 S	5/2015	Fagnot	D759,826 S	6/2016	Martinez et al.
D729,453 S	5/2015	Provost et al.	D761,140 S	7/2016	Wimmer, IV
D729,646 S	5/2015	Phillips et al.	D761,141 S	7/2016	Wimmer, IV
D729,648 S	5/2015	Phillips et al.	D761,675 S	7/2016	Thaveeprungsriporn et al.
D729,649 S	5/2015	Phillips et al.	D762,210 S	7/2016	Lee et al.
D729,657 S	5/2015	Behar	9,391,307 B2	7/2016	Ishibashi
D729,658 S	5/2015	Behar	D763,107 S	8/2016	Nielsen et al.
D730,210 S	5/2015	Song	D763,719 S	8/2016	Nielsen et al.
D730,211 S	5/2015	Behar	D764,340 S	8/2016	Akana et al.
D731,482 S	6/2015	Song	D764,341 S	8/2016	Akana et al.
D731,898 S	6/2015	Squires	D765,072 S	8/2016	Kwon
D732,022 S	6/2015	Song	D765,537 S	9/2016	Hembo et al.
9,064,391 B2	6/2015	Vardi et al.	D765,655 S	9/2016	Tao
D733,706 S	7/2015	Song	D766,115 S	9/2016	Ma
D735,068 S	7/2015	Garcia Pla	D766,758 S	9/2016	Park et al.
D735,191 S	7/2015	Song	D766,893 S	9/2016	Akana et al.
D735,587 S	8/2015	Squires	D767,768 S	9/2016	Ahmed et al.
D735,710 S	8/2015	Song	D768,028 S	10/2016	Ling et al.
D736,652 S	8/2015	Isaacs et al.	D770,321 S	11/2016	Murphy et al.
D737,159 S	8/2015	Akana et al.	D771,038 S	11/2016	Akana et al.
D737,699 S	9/2015	Chang et al.	D772,869 S	11/2016	Iizuka et al.
D738,236 S	9/2015	Song	D773,052 S	11/2016	Wimmer, IV
D738,237 S	9/2015	Song	9,498,161 B1	11/2016	Sunden et al.
D738,372 S	9/2015	Song	9,508,241 B2	11/2016	DePascale
D738,759 S	9/2015	Behar	D777,590 S	1/2017	Nielsen et al.
D739,273 S	9/2015	Behar	D779,356 S	2/2017	Thumm
9,122,250 B2	9/2015	Hoffman et al.	D779,989 S	2/2017	Lee
D740,140 S	10/2015	Behar	D781,738 S	3/2017	Lee et al.
D740,152 S	10/2015	Vaughan et al.	D784,325 S	4/2017	Kim et al.
D740,693 S	10/2015	Carmichael	D784,327 S	4/2017	Akana et al.
D740,702 S	10/2015	Behar	D784,831 S	4/2017	Akana et al.
D740,807 S	10/2015	Daniel	D786,861 S	5/2017	Pu
D741,726 S	10/2015	Akana et al.	D787,960 S	5/2017	Park et al.
D742,373 S	11/2015	Ji et al.	D788,608 S	6/2017	Houin et al.
D742,875 S	11/2015	Ji et al.	D789,219 S	6/2017	Ferrais et al.
D743,820 S	11/2015	Song	D789,822 S	6/2017	Akana et al.
9,189,023 B2	11/2015	Lim	D789,929 S	6/2017	Tan et al.
D744,356 S	12/2015	Akana et al.	D790,365 S	6/2017	Nuovo et al.
D744,357 S	12/2015	Behar et al.	D790,366 S	6/2017	Nuovo et al.
D744,358 S	12/2015	Behar et al.	D790,374 S	6/2017	Lean et al.
D744,869 S	12/2015	Dallmeyer et al.	D790,992 S	7/2017	Nicotra et al.
D745,009 S	12/2015	Jensen	D790,994 S	7/2017	Nielsen et al.
D745,421 S	12/2015	Akana et al.	D792,597 S	7/2017	Ahmed et al.
D745,513 S	12/2015	Jung et al.	D792,795 S	7/2017	Cerrato
D745,514 S	12/2015	Jung et al.	D793,269 S	8/2017	Magniez et al.
D745,868 S	12/2015	Choi et al.	D793,270 S	8/2017	Riddiford et al.
D746,477 S	12/2015	Cha et al.	D793,565 S	8/2017	Saunamaki et al.
D746,702 S	1/2016	Galli	D795,719 S	8/2017	Lean et al.
D746,776 S	1/2016	Park et al.	D796,045 S	8/2017	Henning
D747,313 S	1/2016	Song	D796,368 S	9/2017	Lowe et al.
D747,714 S	1/2016	Erbeus	D798,183 S *	9/2017	Monachon D11/3
D748,624 S	2/2016	Magi	D798,189 S	9/2017	Nielsen et al.
D749,002 S	2/2016	Park et al.	D799,990 S	10/2017	Behling

(56)

References Cited

OTHER PUBLICATIONS

U.S. PATENT DOCUMENTS

D800,007 S 10/2017 Tibi
D800,109 S 10/2017 Rouillac et al.
D800,593 S 10/2017 Ling et al.
D800,596 S 10/2017 Ling et al.
D802,452 S 11/2017 Paschke et al.
D802,453 S 11/2017 Paschke et al.
D805,418 S 12/2017 Lowe et al.
D806,589 S 1/2018 Le Bihan et al.
D806,599 S 1/2018 Nielsen et al.
D807,219 S 1/2018 Ling et al.
D807,777 S 1/2018 Lowe et al.
D808,962 S 1/2018 Wu
D809,144 S 1/2018 Wu
D809,414 S 2/2018 Komulainen
D809,955 S 2/2018 Ling et al.
D811,904 S 3/2018 White et al.
D813,229 S 3/2018 Ling et al.
D813,695 S 3/2018 Nielsen et al.
D821,245 S 6/2018 Lowe et al.
D821,247 S 6/2018 Lean et al.
D822,526 S 7/2018 Lean et al.
D822,835 S 7/2018 Paschke et al.
D826,406 S * 8/2018 Paschke D24/167
D829,123 S * 9/2018 Nielsen D11/3
D831,521 S * 10/2018 Hodge D11/3
D836,477 S * 12/2018 Peng D11/3
D841,512 S * 2/2019 Paschke D11/3
D842,745 S * 3/2019 Vandenbussche D11/3
D843,864 S * 3/2019 Vandenbussche D14/344
D858,518 S * 9/2019 Riot D14/344
D861,168 S * 9/2019 Paschke D24/167
10,418,693 B2 * 9/2019 Xu A44C 5/0053
D861,678 S * 10/2019 Kern D14/344
2005/0237704 A1 10/2005 Ceresoli
2006/0203621 A1 9/2006 Brodmann
2009/0306485 A1 12/2009 Bell
2010/0162472 A1 7/2010 Abraham
2010/0311544 A1 12/2010 Robinette et al.
2011/0032105 A1 2/2011 Hoffman et al.
2011/0209373 A1 9/2011 Padgett et al.
2013/0273770 A1 10/2013 Pong
2013/0329324 A1 12/2013 Tziviskos et al.
2014/0107493 A1 4/2014 Yuen et al.
2014/0156196 A1 6/2014 Martinez et al.
2014/0180019 A1 6/2014 Martinez et al.
2014/0218852 A1 8/2014 Alcazar
2014/0275854 A1 9/2014 Venkatraman et al.
2014/0316305 A1 10/2014 Venkatraman et al.
2015/0085623 A1 3/2015 Modaragamage
2015/0102075 A1 4/2015 Shibuya et al.
2015/0105671 A1 4/2015 Shibuya et al.
2015/0186609 A1 7/2015 Utter, II
2015/0238141 A1 8/2015 Lai
2015/0333302 A1 11/2015 Johns et al.
2016/0015136 A1 1/2016 Yue et al.
2016/0072554 A1 3/2016 Sharma
2016/0183390 A1 6/2016 Yang et al.
2016/0192526 A1 6/2016 Gao et al.
2016/0206215 A1 7/2016 Takahashi et al.
2016/0220865 A1 8/2016 Seo
2016/0223992 A1 8/2016 Seo et al.
2016/0255923 A1 9/2016 Lee et al.
2016/0255944 A1 9/2016 Baranski et al.
2017/0020453 A1 1/2017 Nakagawa et al.
2017/0027508 A1 2/2017 Nakayama et al.
2017/0065224 A1 3/2017 Rahko et al.
2017/0086692 A1 3/2017 Freschl et al.
2017/0095169 A1 4/2017 Liu et al.
2017/0100038 A1 4/2017 Narusawa
2017/0150790 A1 6/2017 Marti
2017/0172499 A1 6/2017 Yoo
2017/0224218 A1 8/2017 Tanaka et al.
2018/0235327 A1 8/2018 Bayley et al.
2019/0361402 A1 * 11/2019 Markan A44C 5/14
2019/0365061 A1 * 12/2019 Martin A44C 5/0053

U.S. Notice of Allowance, dated Oct. 24, 2014, issued in U.S. Appl. No. 29/468,506.
U.S. Notice of Allowance, dated Aug. 15, 2014, issued in U.S. Appl. No. 29/468,517.
U.S. Office Action, dated Jun. 5, 2015, issued in U.S. Appl. No. 29/468,522.
U.S. Notice of Allowance, dated Oct. 9, 2015, issued in U.S. Appl. No. 29/468,522.
U.S. Notice of Allowance, dated Oct. 9, 2015 issued in U.S. Appl. No. 29/497,740.
U.S. Office Action [Ex Parte Quayle], dated May 10, 2016 issued in U.S. Appl. No. 29/549,341.
U.S. Notice of Allowance [Notice of Allowability], dated Jul. 22, 2016 issued in U.S. Appl. No. 29/549,341.
U.S. Notice of Allowance, dated Jan. 7, 2015, issued in U.S. Appl. No. 29/498,195.
U.S. Notice of Allowance [Corrected Notice of Allowability for a Design Application], dated Feb. 10, 2015, issued in U.S. Appl. No. 29/498,195.
U.S. Notice of Allowance, dated Jan. 7, 2015, issued in U.S. Appl. No. 29/499,065.
U.S. Notice of Allowance [Corrected Notice of Allowability for a Design Application], dated Feb. 10, 2015, issued in U.S. Appl. No. 29/499,065.
U.S. Office Action, dated Sep. 25, 2015, issued in U.S. Appl. No. 29/500,837.
U.S. Notice of Allowance, dated Mar. 28, 2016, issued in U.S. Appl. No. 29/500,837.
U.S. Notice of Allowance dated May 11, 2016, issued in U.S. Appl. No. 29/500,837.
U.S. Notice of Allowance, dated Mar. 4, 2016, issued in U.S. Appl. No. 29/521,264.
U.S. Office Action [Ex Parte Quayle], dated Apr. 4, 2017, issued in U.S. Appl. No. 29/524,019.
U.S. Notice of Allowance, dated Aug. 9, 2017, issued in U.S. Appl. No. 29/524,019.
U.S. Notice of Allowance [Corrected Notice of Allowability for a Design Application], dated Dec. 12, 2017, issued in U.S. Appl. No. 29/524,019.
U.S. Notice of Allowance, dated Apr. 14, 2016, issued in U.S. Appl. No. 29/524,025.
U.S. Notice of Allowance, dated Aug. 3, 2016, issued in U.S. Appl. No. 29/524,028.
U.S. Notice of Allowance, dated Oct. 11, 2016, issued in U.S. Appl. No. 29/537,616.
U.S. Notice of Allowance, dated Oct. 24, 2017, issued in U.S. Appl. No. 29/585,891.
U.S. Notice of Allowance [Corrected Notice of Allowability for a Design Application], dated Feb. 28, 2018, issued in U.S. Appl. No. 29/585,891.
U.S. Notice of Allowance, dated Apr. 14, 2016, issued in U.S. Appl. No. 29/541,358.
U.S. Notice of Allowance, dated Aug. 8, 2017, issued in U.S. Appl. No. 29/541,361.
U.S. Notice of Allowance [Corrected Notice of Allowability for a Design Application], dated Dec. 1, 2017, issued in U.S. Appl. No. 29/541,361.
U.S. Notice of Allowance, dated Apr. 13, 2016, issued in U.S. Appl. No. 29/541,364.
U.S. Notice of Allowance [Corrected Notice of Allowability], dated May 31, 2016, issued in U.S. Appl. No. 29/541,364.
U.S. Notice of Allowance, dated Feb. 15, 2017, issued in U.S. Appl. No. 29/569,701.
U.S. Notice of Allowance [Corrected Notice of Allowability], dated May 25, 2017, issued in U.S. Appl. No. 29/569,701.
U.S. Office Action [Ex Parte Quayle], dated Feb. 27, 2017, issued in U.S. Appl. No. 29/553,921.
U.S. Notice of Allowance, dated May 25, 2017, issued in U.S. Appl. No. 29/553,921.

(56)

References Cited

OTHER PUBLICATIONS

- U.S. Office Action, dated Jan. 27, 2017, issued in U.S. Appl. No. 29/553,318.
- U.S. Notice of Allowance, dated Jun. 6, 2017, issued in U.S. Appl. No. 29/553,318.
- U.S. Notice of Allowance, dated Sep. 28, 2017, issued in U.S. Appl. No. 29/563,187.
- U.S. Notice of Allowance [Corrected Notice of Allowability], dated Jan. 11, 2018, issued in U.S. Appl. No. 29/563,187.
- U.S. Office Action, dated Mar. 27, 2017, issued in U.S. Appl. No. 29/563,190.
- U.S. Notice of Allowance, dated Sep. 25, 2017, issued in U.S. Appl. No. 29/563,190.
- U.S. Notice of Allowance [Corrected Notice of Allowability], dated Jan. 11, 2018, issued in U.S. Appl. No. 29/563,190.
- U.S. Office Action [Ex Parte Quayle], dated Mar. 2, 2017 issued in U.S. Appl. No. 29/563,191.
- U.S. Notice of Allowance, dated Jun. 16, 2017 issued in U.S. Appl. No. 29/563,191.
- U.S. Office Action, dated Sep. 22, 2017, issued in U.S. Appl. No. 29/563,192.
- U.S. Notice of Allowance, dated Jan. 26, 2018, issued in U.S. Appl. No. 29/563,192.
- U.S. Office Action [Ex Parte Quayle], dated Feb. 10, 2017, issued in U.S. Appl. No. 29/563,195.
- U.S. Notice of Allowance, dated Apr. 28, 2017, issued in U.S. Appl. No. 29/563,195.
- U.S. Office Action, dated Feb. 10, 2017, issued in U.S. Appl. No. 29/563,198.
- U.S. Notice of Allowance, dated Jul. 25, 2017, issued in U.S. Appl. No. 29/563,198.
- U.S. Office Action dated Mar. 23, 2017, issued in U.S. Appl. No. 29/563,201.
- U.S. Notice of Allowance dated Aug. 25, 2017, issued in U.S. Appl. No. 29/563,201.
- U.S. Notice of Allowance [Corrected Notice of Allowability] dated Dec. 7, 2017, issued in U.S. Appl. No. 29/563,201.
- U.S. Notice of Allowance, dated Jul. 5, 2017, issued in U.S. Appl. No. 29/563,922.
- U.S. Notice of Allowance, dated Jul. 6, 2017, issued in U.S. Appl. No. 29/565,818.
- U.S. Office Action dated Aug. 24, 2017, issued in U.S. Appl. No. 29/568,027.
- U.S. Final Office Action dated Feb. 8, 2018, issued in U.S. Appl. No. 29/568,027.
- U.S. Notice of Allowance dated Apr. 3, 2018, issued in U.S. Appl. No. 29/568,027.
- U.S. Corrected Notice of Allowability dated Jul. 5, 2018, issued in U.S. Appl. No. 29/568,027.
- U.S. Corrected Notice of Allowability dated Jul. 25, 2018, issued in U.S. Appl. No. 29/568,027.
- U.S. Office Action dated Aug. 24, 2017, issued in U.S. Appl. No. 29/568,607.
- U.S. Notice of Allowance dated Jan. 17, 2018, issued in U.S. Appl. No. 29/568,607.
- U.S. Corrected Notice of Allowance dated Feb. 13, 2018, issued in U.S. Appl. No. 29/568,607.
- U.S. Corrected Notice of Allowance dated Mar. 30, 2018, issued in U.S. Appl. No. 29/568,607.
- U.S. Corrected Notice of Allowance dated May 31, 2018, issued in U.S. Appl. No. 29/568,607.
- U.S. Notice of Allowance, dated Feb. 17, 2017, issued in U.S. Appl. No. 29/571,687.
- U.S. Notice of Allowance, dated Apr. 17, 2017, issued in U.S. Appl. No. 29/572,962.
- U.S. Notice of Allowance [Corrected Notice of Allowability for a Design Application], dated Jul. 14, 2017, issued in U.S. Appl. No. 29/572,962.
- U.S. Ex Parte Quayle Action dated Mar. 21, 2018, issued in U.S. Appl. No. 29/572,967.
- U.S. Notice of Allowance dated Aug. 7, 2018, issued in U.S. Appl. No. 29/572,967.
- U.S. Office Action dated Oct. 5, 2017, issued in U.S. Appl. No. 29/575,838.
- U.S. Notice of Allowance dated Feb. 13, 2018, issued in U.S. Appl. No. 29/575,838.
- U.S. Notice of Allowance [Corrected Notice of Allowability for a Design Application], dated May 25, 2018, issued in U.S. Appl. No. 29/575,838.
- U.S. Office Action dated Oct. 5, 2017, issued in U.S. Appl. No. 29/579,649.
- U.S. Notice of Allowance dated Feb. 7, 2018, issued in U.S. Appl. No. 29/579,649.
- U.S. Notice of Allowance [Corrected Notice of Allowability for a Design Application] dated Mar. 2, 2018, issued in U.S. Appl. No. 29/579,649.
- U.S. Notice of Allowance [Corrected Notice of Allowability for a Design Application] dated May 18, 2018, issued in U.S. Appl. No. 29/579,649.
- Chinese First Office Action dated Oct. 29, 2014 issued in CN 201430316587.8.
- Chinese Office Action [Description in English] dated Feb. 14, 2016 issued in CN201530255881.7.
- Chinese Office Action [Description in English] dated Feb. 14, 2016 issued in CN201530256087.4.
- Chinese Office Action [Description in English] dated Feb. 14, 2016 issued in CN201530255977.3.
- Chinese Office Action [Description in English] dated Jul. 30, 2015 issued in CN201530134185.0.
- Chinese Office Action [Description in English] dated Dec. 18, 2015 issued in CN201530134185.0.
- Chinese Office Action [Description in English] dated May 23, 2016 issued in CN201530465785.5.
- Chinese Office Action [Description in English] dated Sep. 27, 2016 issued in CN201630295320.4.
- Chinese Office Action [Description in English] dated Jan. 6, 2017 issued in CN201630295320.4.
- Chinese Office Action [Description in English] dated Sep. 28, 2016 issued in CN201630295177.9.
- Chinese Office Action [Description in English] dated Jan. 20, 2017 issued in CN201630492536.X.
- Chinese Second Office Action [no translation] dated Apr. 1, 2017 issued in CN201630492536.X.
- Chinese First Office Action [no translation] dated Dec. 20, 2017 issued in CN201730420656.3.
- Black waterproof diving silicone rubber strap (available online) Retrieved from the internet Feb. 7, 2018, retrieved from URL: <https://www.aliexpress.com/item/22-mm-Buckle-18-mm-the-new-black-waterproof-diving-silicone-rubber-strap-with-Black-clasp/32238250073.html>.
- Fitbit Alta Bands (available online Jul. 27, 2016) [Retrieved from the internet Feb. 17, 2017, retrieved from the internet URL: <https://www.amazon.com/Fitbit-Bands-AK-Replacement-Metal/dp/B01G1TBJY4>], 5pp.
- Fitbit Alta (available online Feb. 4, 2016) [Retrieved from the internet Feb. 24, 2017, retrieved from the internet URL: <https://www.fitbit.com/alta>], 2pp.
- Fitbit Charge 2 Heart Rate and Fitness Wristband (available online Dec. 7, 2016) Retrieved from the internet Feb. 7, 2018, retrieved from URL: https://www.amazon.co.uk/Fitbit-Charge-Activity-Tracker-Monitor/dp/B01KXSX374E/ref=sr_1_1?ie=UTF8&qid=1518023472&sr=8-1&keywords=Fitbit%C2%AE+Charge+2+Heart+Rate+%2B+Fitness+Wr%E2%.
- Fitbit Flex Wireless Activity + Sleep Wristband, Amazon.com, first reviewed on Apr. 16, 2013, only. Site visited Jul. 22, 2014. Internet URL: http://www.amazon.com/Fitbit-Wireless-Activity-Sleep-Wristband/dp/B00BGO0Q90/ref=cm_cr_pr_product_top>, 1 page.
- Pinterest—The world's catalog of ideas, "Product Teardowns" (available online) [Retrieved from the internet Feb. 27, 2017, retrieved from the internet URL: <https://www.pinterest.com/pin/123356477268447010/>], 3pp.

(56)

References Cited

OTHER PUBLICATIONS

Pro Elite Medicine Ball _ Power Systems (available online) Retrieved from the internet Feb. 7, 2018, retrieved from URL https://www.power-systems.com/shop/images/product/large/5784_3_.jpg.

Suppa G-Shock Strap adapters (available online Dec. 13, 2013) [Retrieved from the internet Feb. 7, 2017, retrieved from the internet URL: <http://forums.watchuseek.com/fl7/suppa-g-shock-strap-adapters-954103.html>], 2pp.

Suunto Lug Adapter (available online) [Retrieved from the internet Feb. 7, 2017, retrieved from the internet URL:http://www.imgrum.net/media/805121195814698214_1428232830], 1 page.

U.S. Appl. No. 29/520,607, filed Mar. 16, 2015, Ling et al.

U.S. Appl. No. 29/524,027, filed Apr. 15, 2015, Ling et al.

U.S. Appl. No. 29/541,365, filed Oct. 2, 2015, Nielsen et al.

U.S. Appl. No. 29/541,368, filed Oct. 2, 2015, Nielsen et al.

U.S. Appl. No. 29/572,967, filed Aug. 1, 2016, Lean et al.

U.S. Appl. No. 29/593,260, filed Feb. 7, 2017, Paschke et al.

U.S. Appl. No. 29/596,216, filed Mar. 6, 2017, Wildner.

U.S. Appl. No. 29/602,541, filed May 1, 2017, Paschke et al.

U.S. Appl. No. 29/625,507, filed Nov. 9, 2017, Page et al.

U.S. Appl. No. 29/630,160, filed Dec. 9, 2017, Paschke et al.

U.S. Notice of Allowance, dated Feb. 4, 2016, issued in U.S. Appl. No. 29/520,607.

U.S. Office Action, dated Sep. 29, 2016, issued in U.S. Appl. No. 29/524,027.

U.S. Notice of Allowance, dated Apr. 5, 2018, issued in U.S. Appl. No. 29/541,365.

U.S. Corrected Notice of Allowability, dated Jul. 31, 2018, issued in U.S. Appl. No. 29/541,365.

U.S. Office Action dated Feb. 6, 2018, issued in U.S. Appl. No. 29/593,260.

U.S. Ex Parte Quayle Action dated Jul. 17, 2018, issued in U.S. Appl. No. 29/593,260.

U.S. Appl. No. 29/621,239, filed Oct. 5, 2017, applicant Fitbit, Inc.

U.S. Appl. No. 29/614,464, filed Aug. 18, 2017, applicant Fitbit, Inc.

U.S. Appl. No. 29/548,501, filed Dec. 14, 2015, applicant Fitbit, Inc.

U.S. Appl. No. 29/564,199, filed May 11, 2016, applicant Fitbit, Inc.

U.S. Appl. No. 29/614,479, filed Aug. 18, 2017, applicant Fitbit, Inc.

U.S. Appl. No. 29/625,052, filed Nov. 7, 2017, applicant Fitbit, Inc.

U.S. Appl. No. 29/522,853, filed Apr. 2, 2015, applicant Fitbit, Inc.

U.S. Appl. No. 29/522,858, filed Apr. 2, 2015, applicant Fitbit, Inc.

U.S. Appl. No. 29/540,741, filed Sep. 28, 2015, applicant Fitbit, Inc.

U.S. Appl. No. 29/568,588, filed Jun. 20, 2016, applicant Fitbit, Inc.

ACBEE Replacement watch band with buckle for Fitbit Alta for sale at www.amazon.com, Website accessed Nov. 7, 2018.

Perfit rubber watch band with double prong buckle and spring bars for sale at www.amazon.com. Website accessed Nov. 7, 2018.

Damusy Fitness Tracker Smart Band for sale at www.activityandfitnesstrackers.com. Website accessed Nov. 10, 2018.

Volemer F09HR Smart Band Fitness Tracker for sale at www.epaky.com. Website accessed Nov. 10, 2018.

“First Look: Fitbit announces new Fitbit Alta activity tracker”, published Feb. 3, 2016 on DC Rainmaker (www.dcrainmaker.com). Website accessed Nov. 10, 2018.

Fitbit Alta review published Mar. 25, 2016 on CNet (www.cnet.com). Website accessed Nov. 10, 2018.

Fitbit Ionic Accessory Band for sale at Nordstrom (<https://shop.nordstrom.com>). Website accessed Nov. 7, 2018.

Fitbit Alta HR Bands for sale at The Fitness Equipment Shop (www.thefitnessequipmentshop.com). Website accessed Nov. 17, 2018.

Luminox Replacement Rubber Watch Band Strap for sale at Walmart (www.walmart.com). Website accessed Nov. 7, 2018.

“MPOW DS-D6 Fitness Band Review”. published Jan. 13, 2018 on ZeroAir (www.zeroair.wordpress.com). Website accessed Nov. 10, 2018.

Replacement metal watch band Connector for Fitbit Alta/Fitbit Alta HR for sale at Banggood (www.banggood.com). Website accessed Nov. 10, 2018.

Citrine by the Stones Sol Forearm Band for sale at Shopbop (www.shopbop.com). Website accessed Nov. 11, 2018.

Gorjana Mia Wrap Cuff for sale at Shopbop (www.shopbop.com). Website accessed Nov. 11, 2018.

Marc by Marc Jacobs Engraved Turlock Leather Bangle Bracelet for sale at Shopbop (www.shopbop.com). Website accessed Nov. 11, 2018.

Monserat de Lucca Measuring Tape Bracelet for sale at Shopbop (www.shopbop.com). Website accessed Nov. 11, 2018.

iGK Fitbit Alta Bands—replacement sport strap bands for Fitbit Alta for sale at Walmart (www.walmart.com). Website accessed Nov. 7, 2018.

* cited by examiner

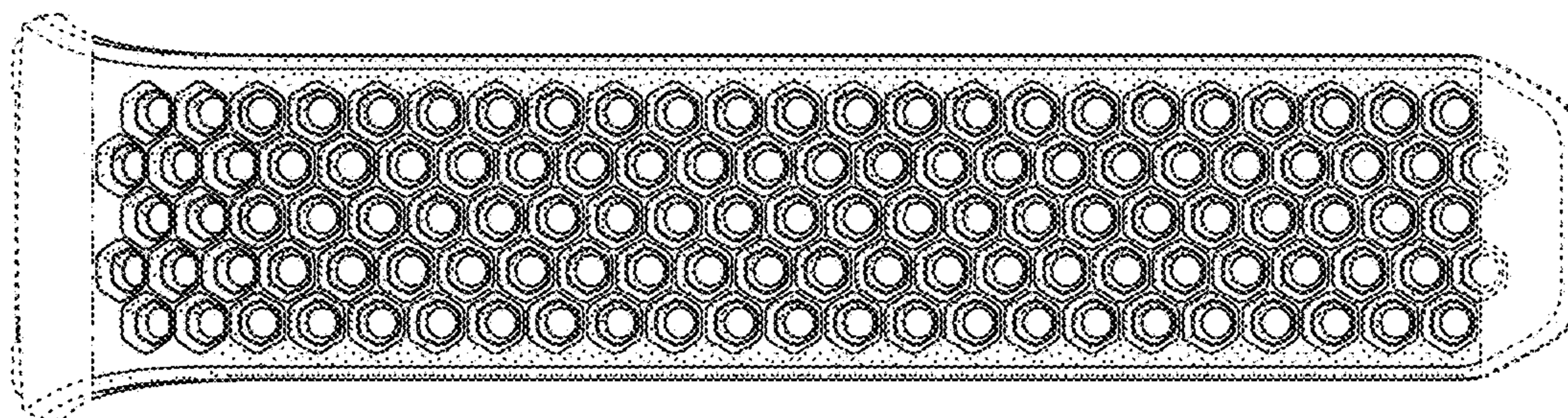


FIG. 1

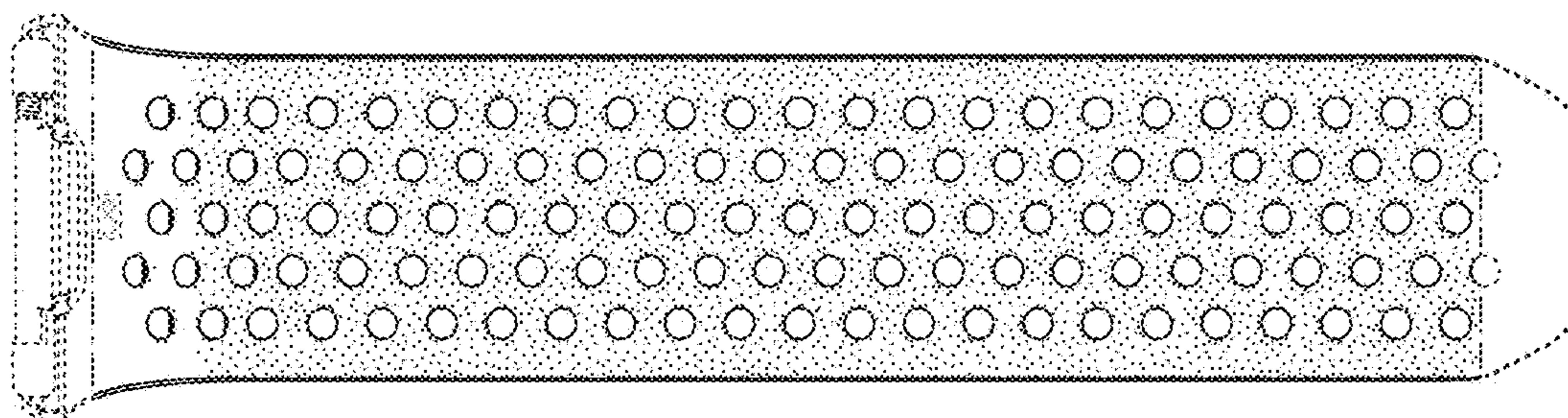


FIG. 2

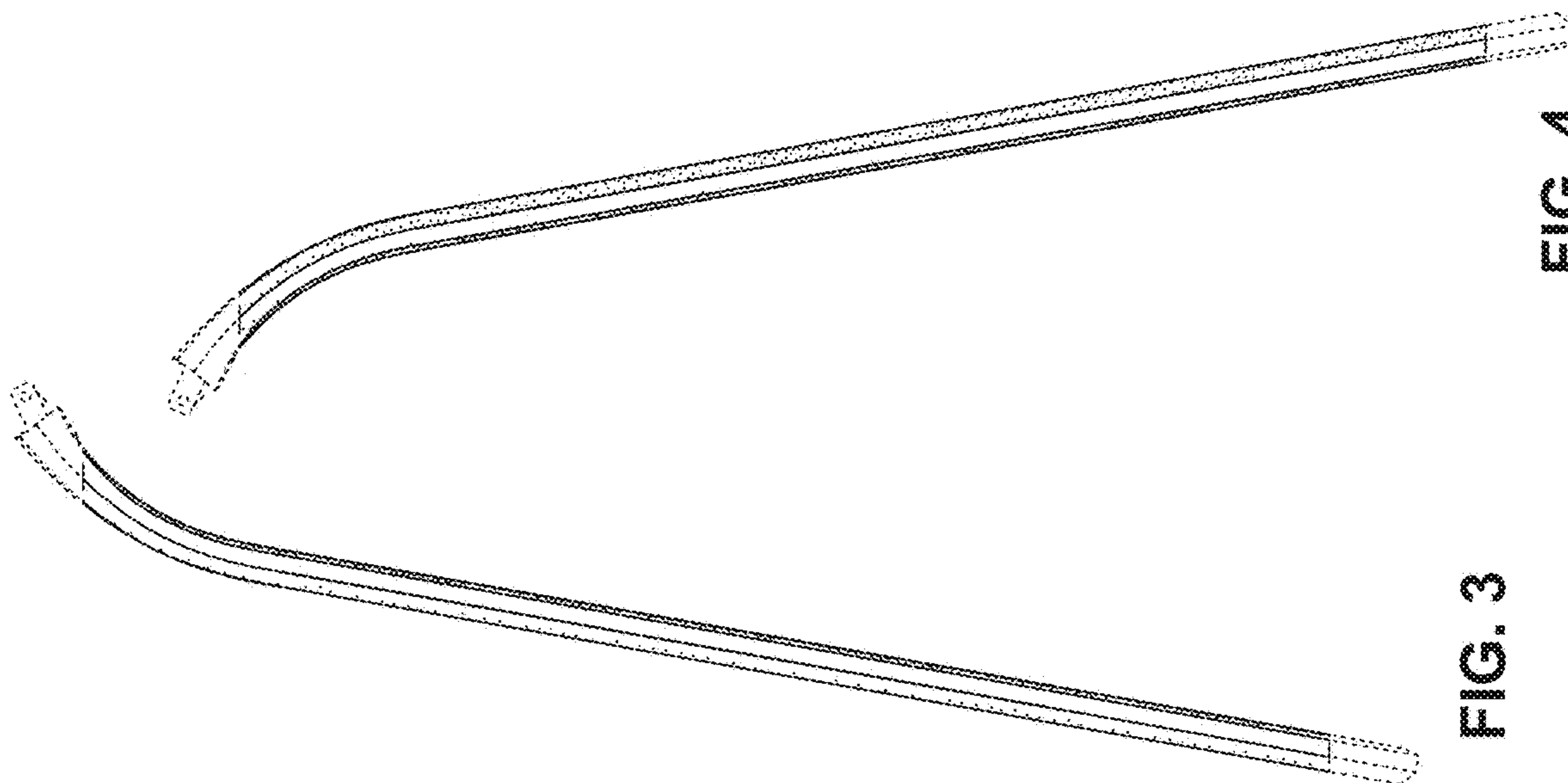


FIG. 3

FIG. 4

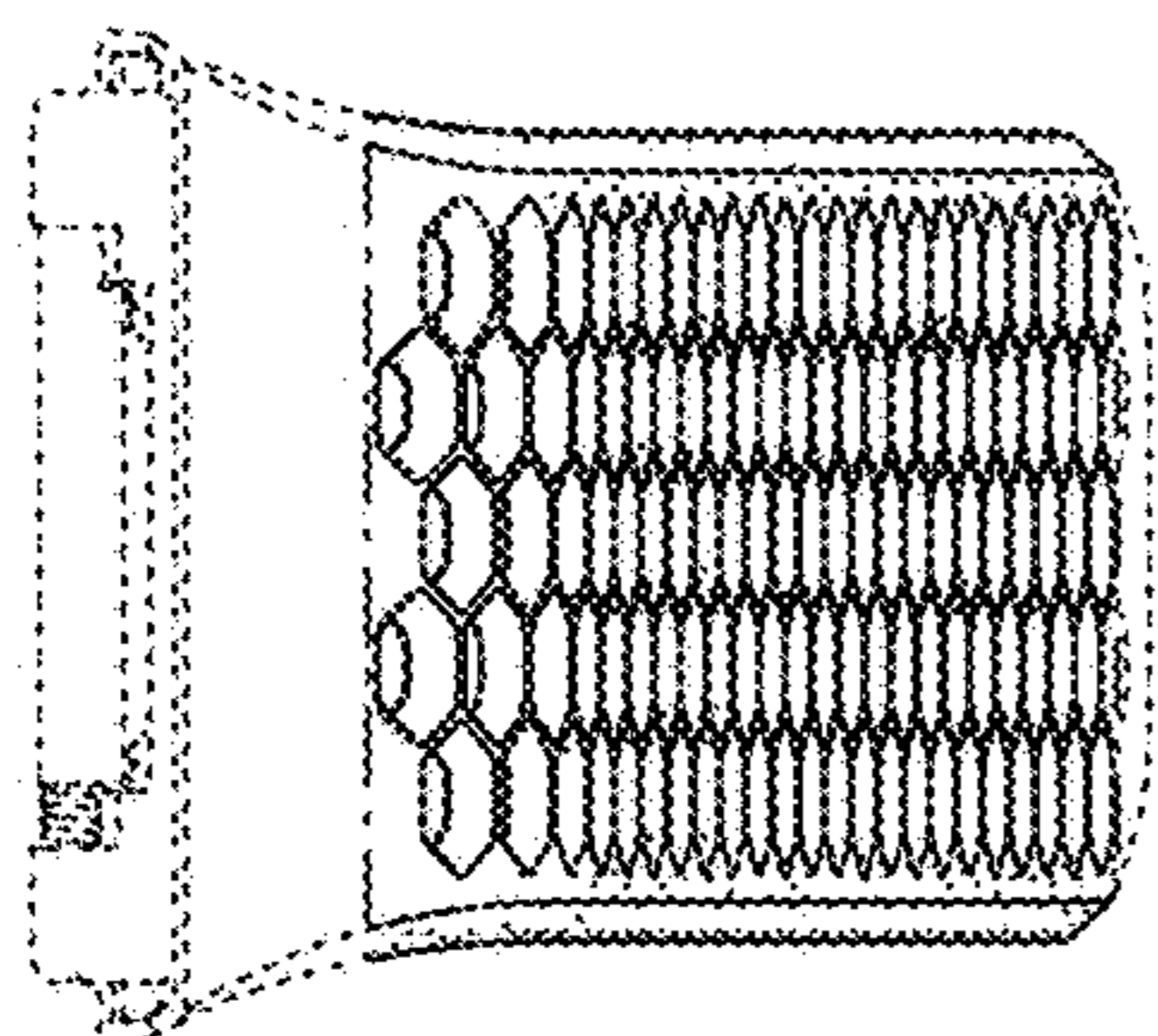


FIG. 5

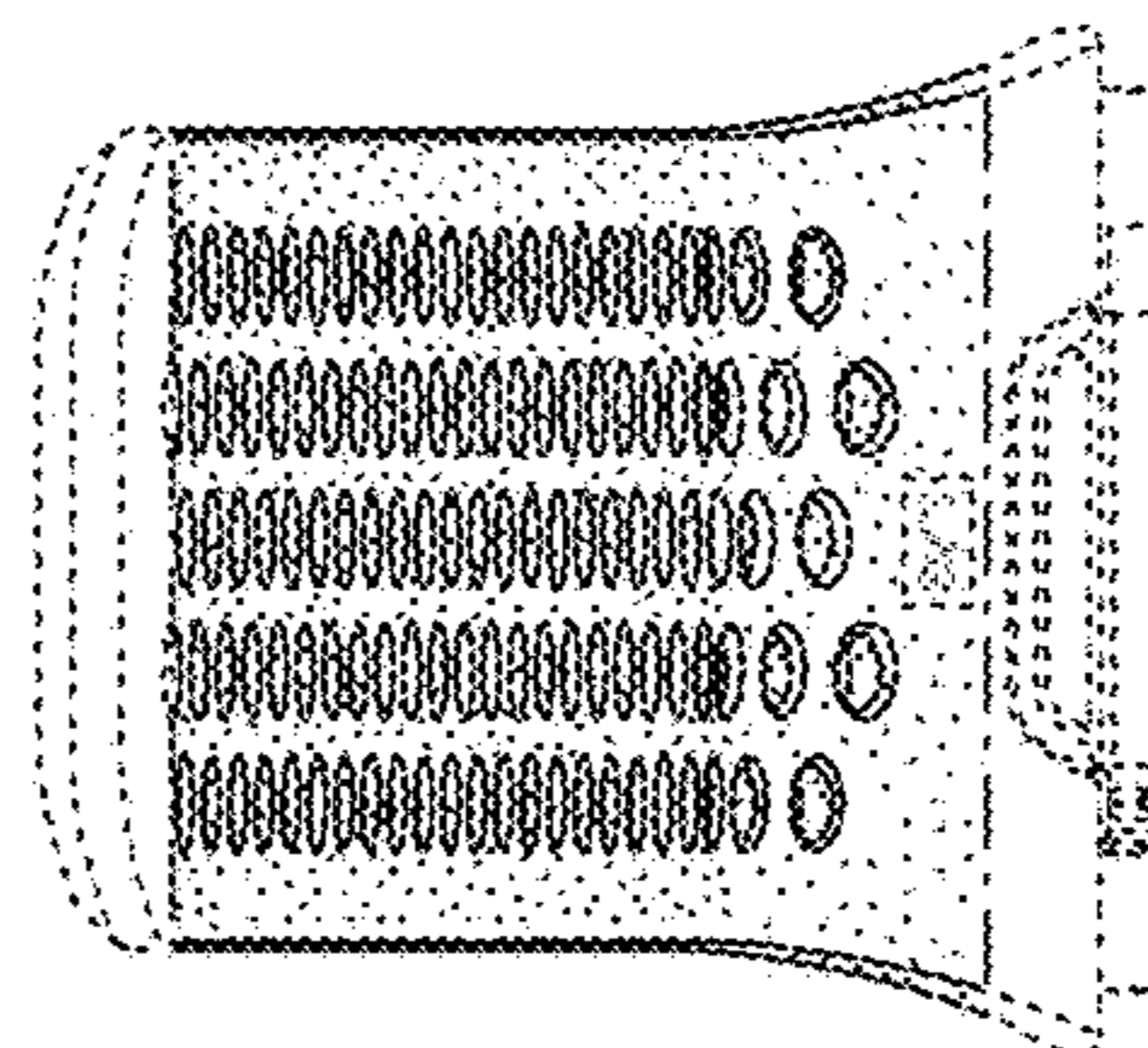


FIG. 6

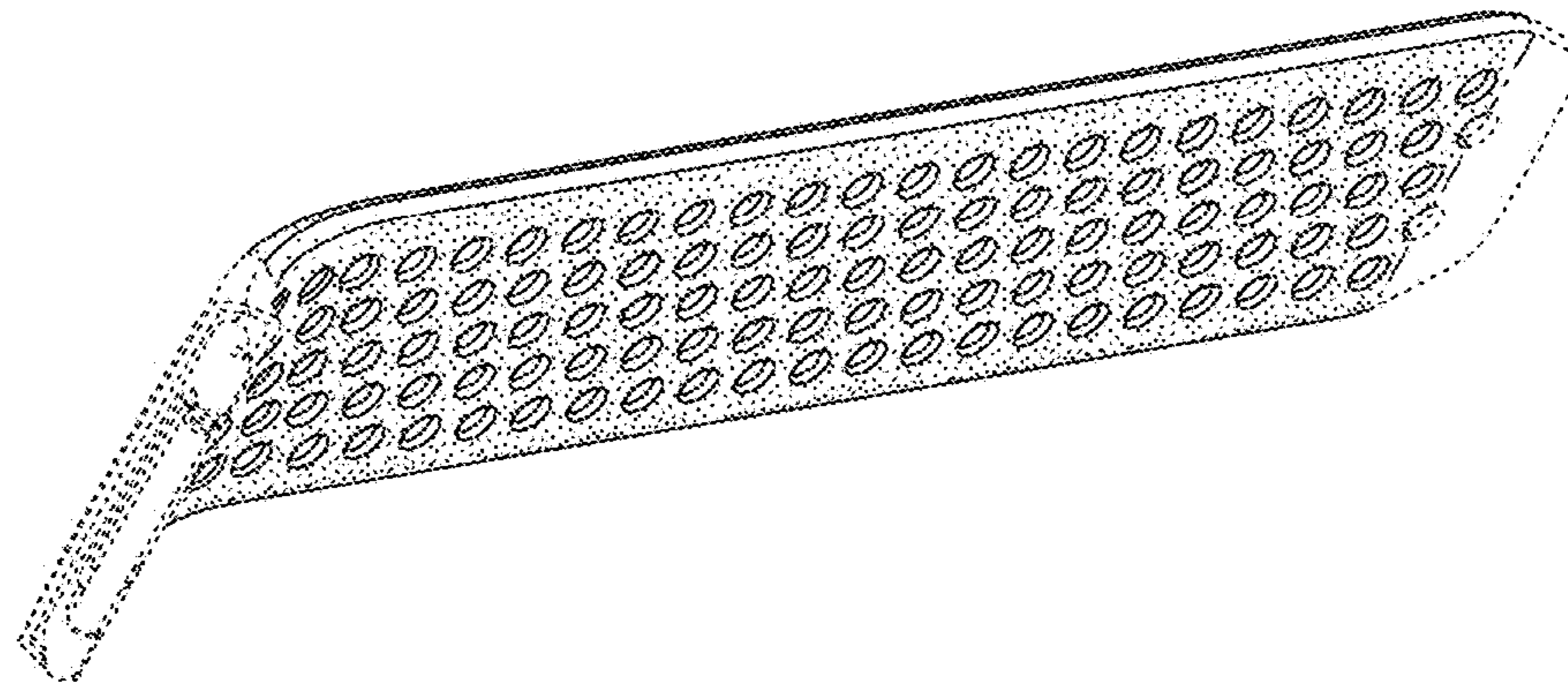


FIG. 8

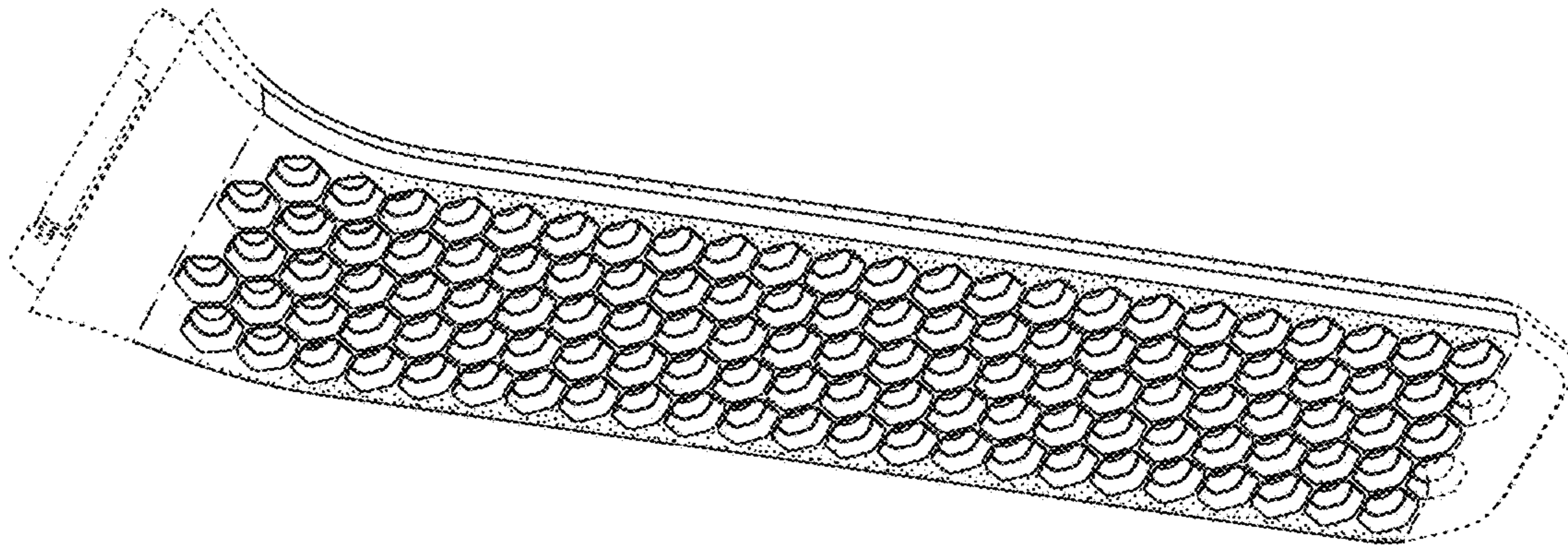


FIG. 7

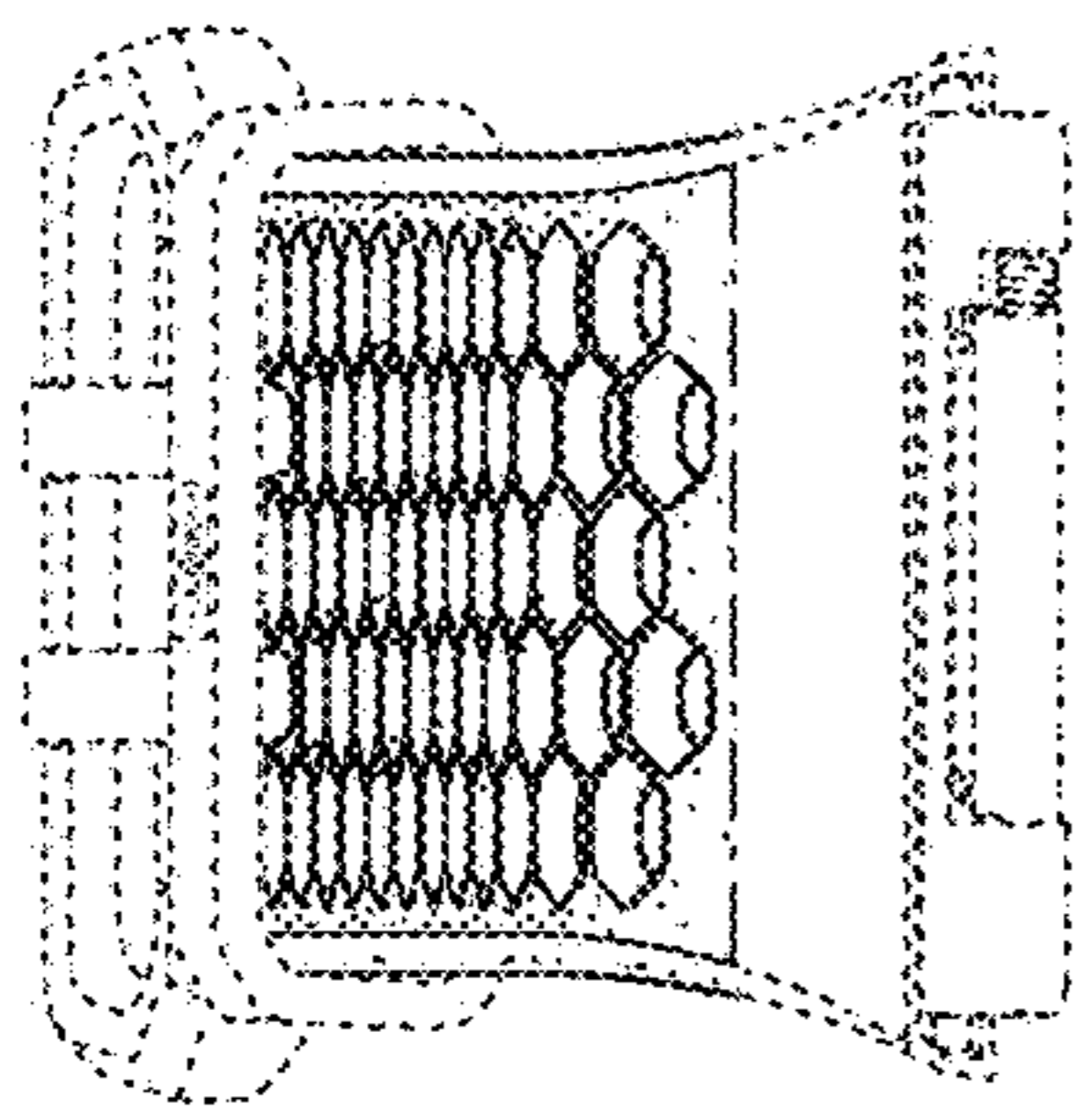


FIG. 13

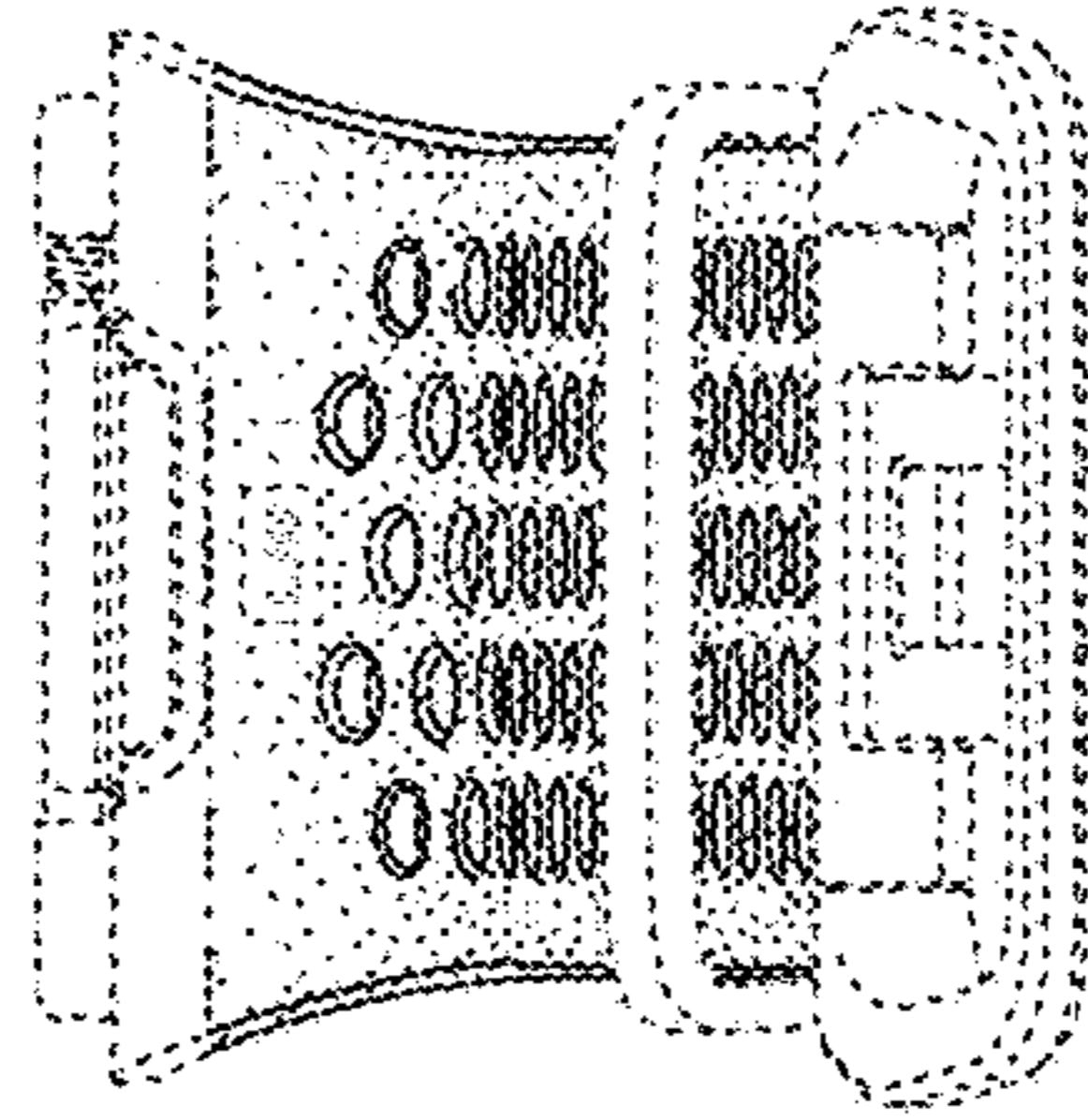


FIG. 14

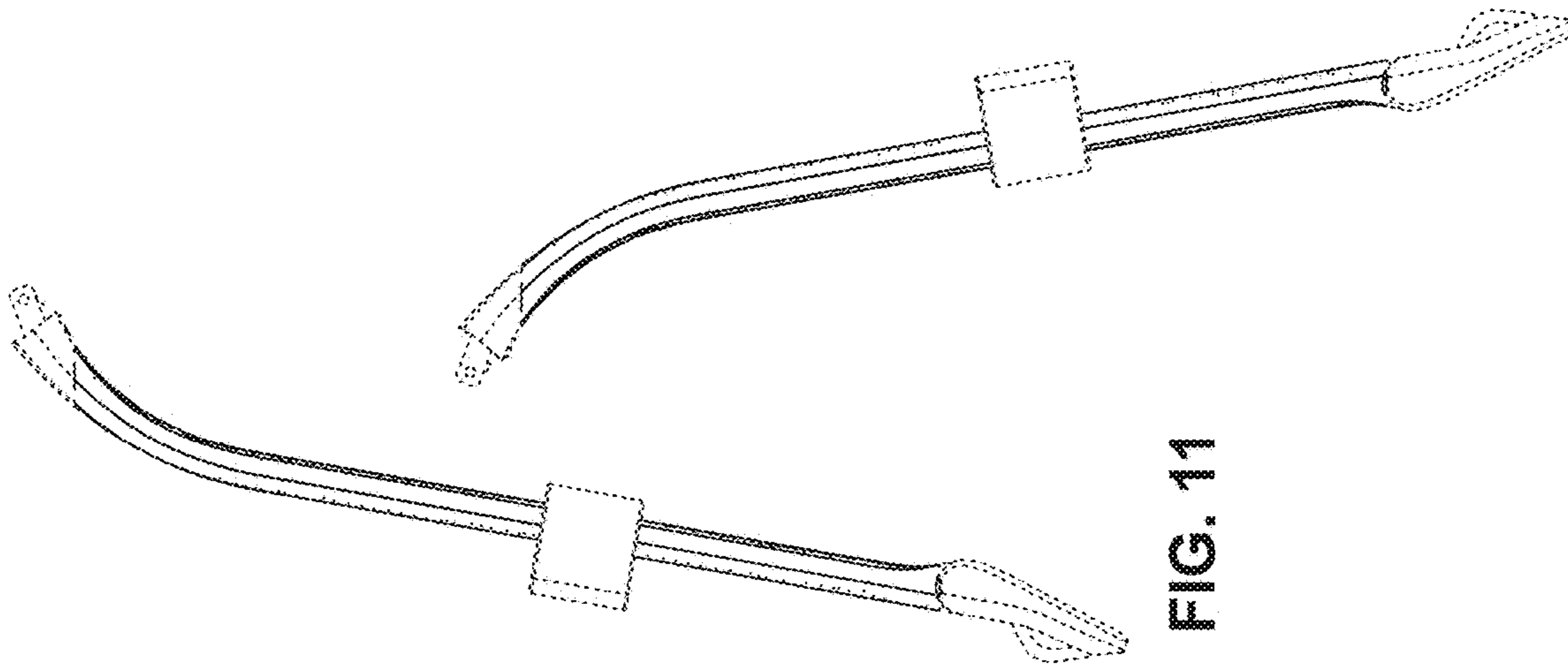


FIG. 11

FIG. 12

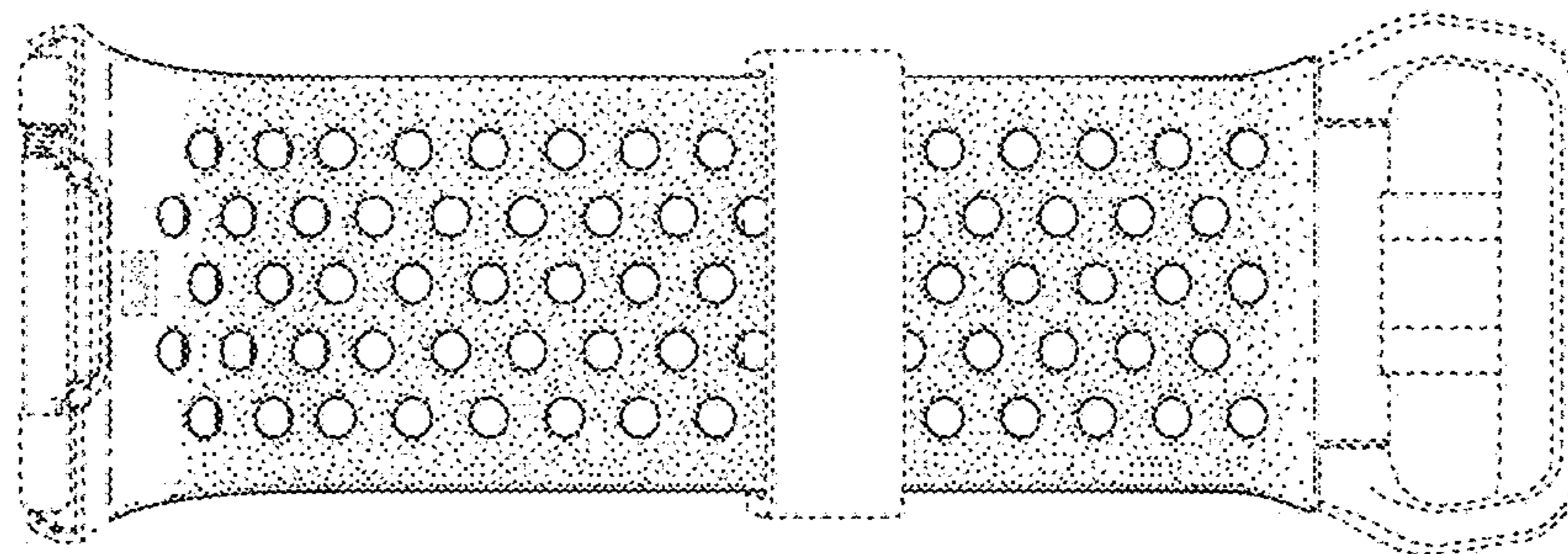


FIG. 10

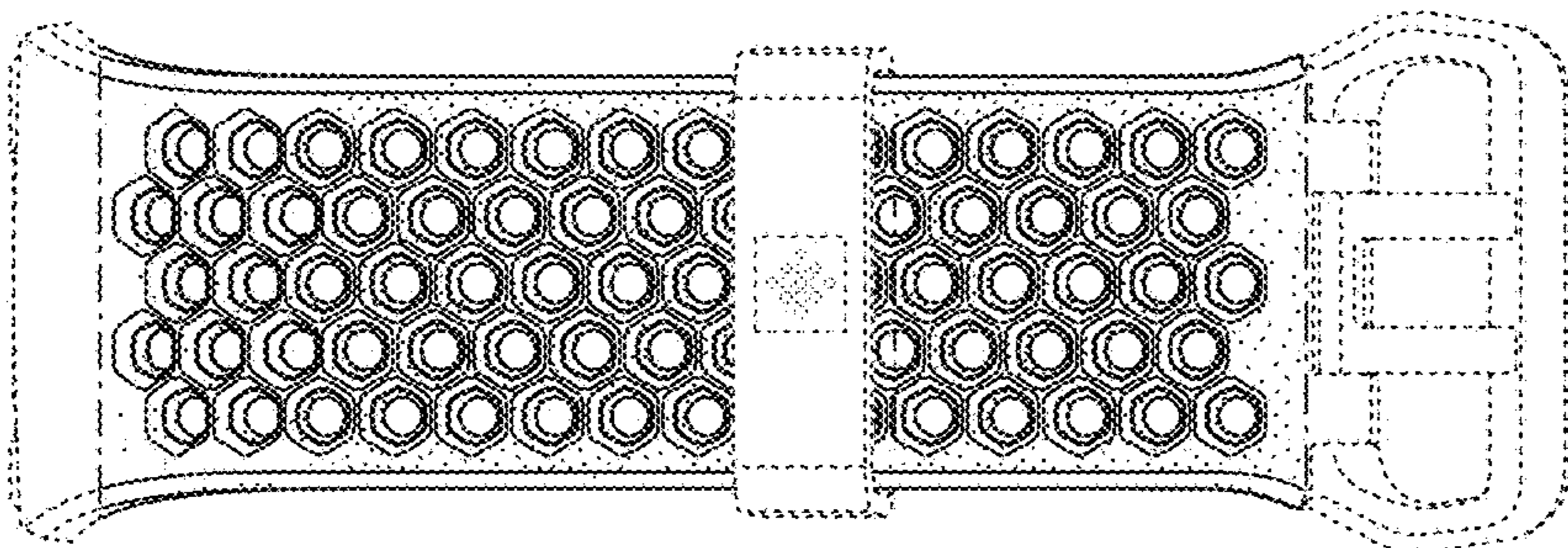


FIG. 9

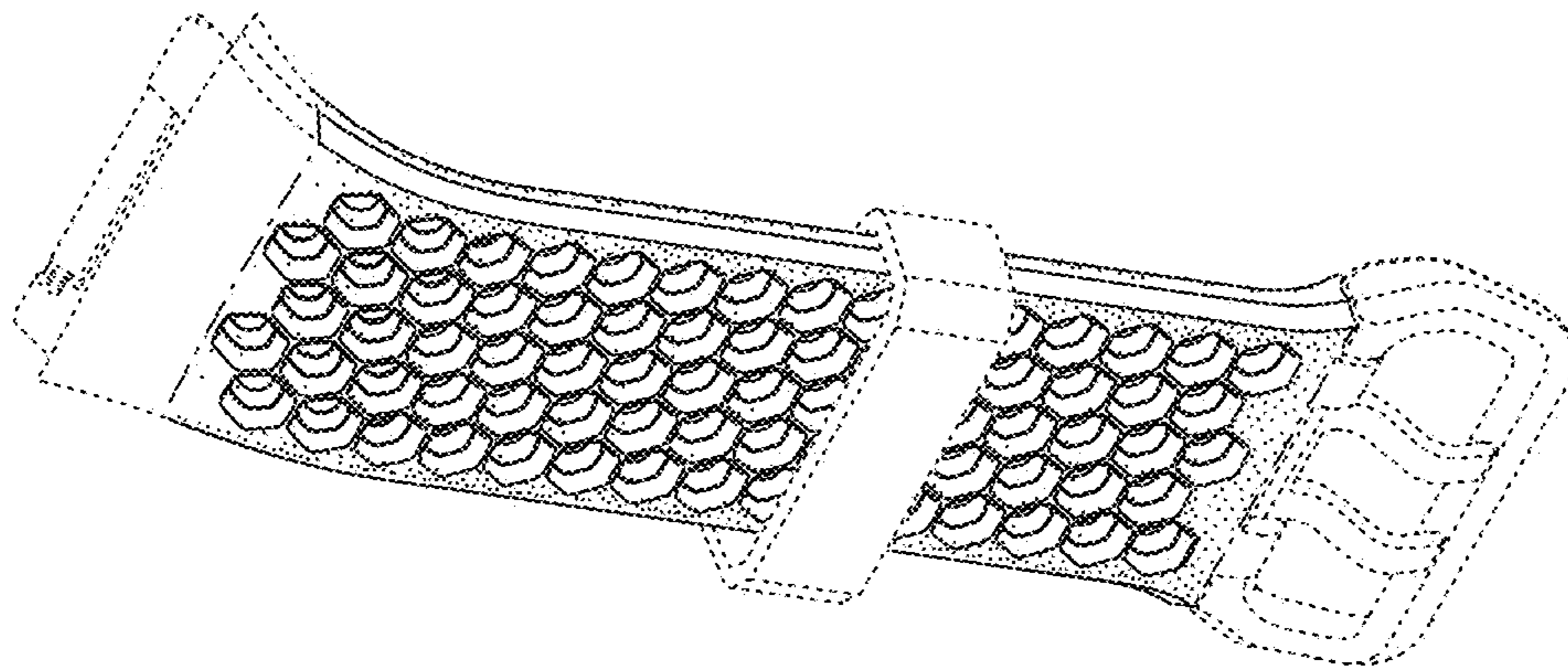


FIG. 15

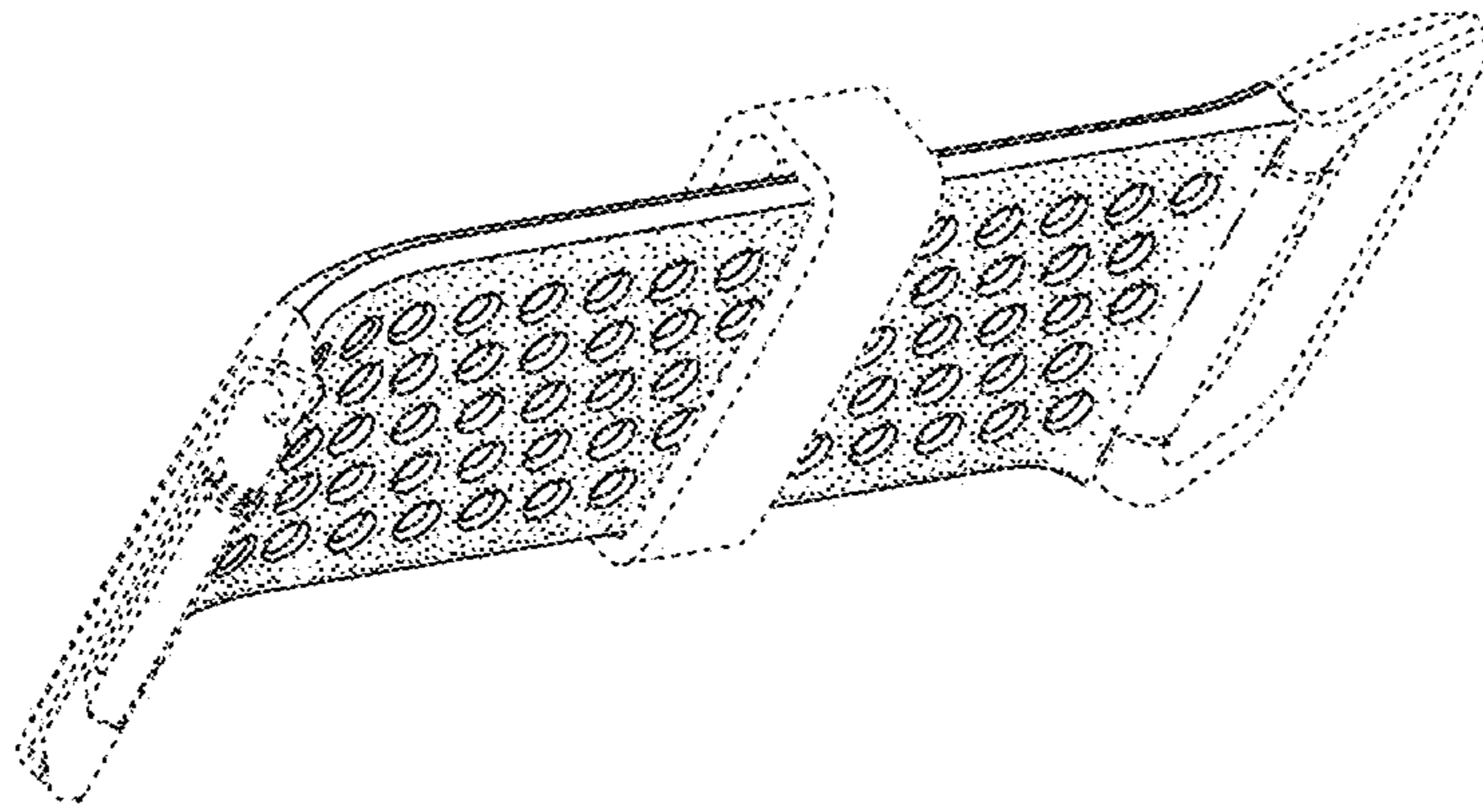


FIG. 16

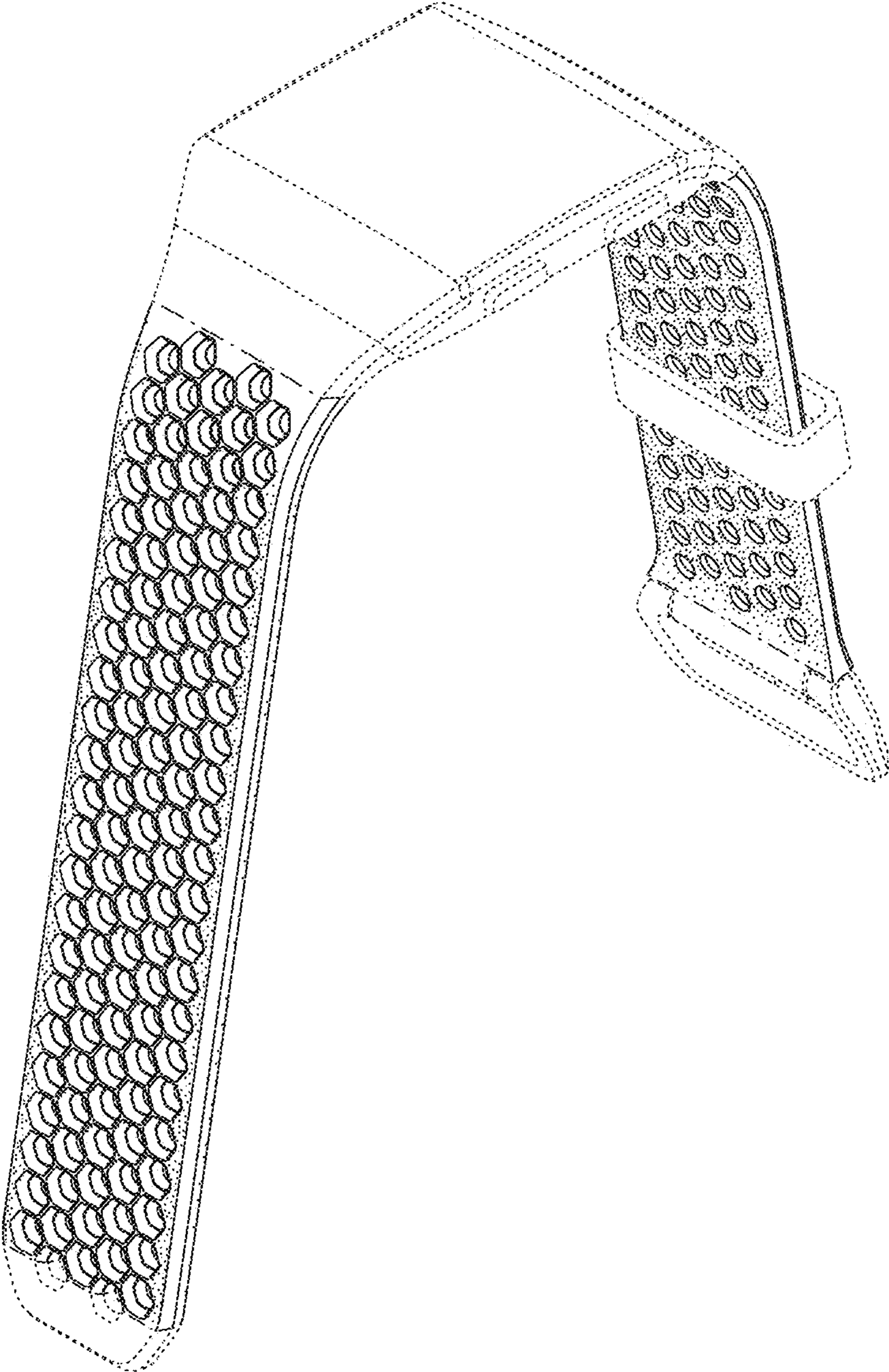


FIG. 17