



US00D889302S

(12) **United States Design Patent**
Kamilindi

(10) **Patent No.:** **US D889,302 S**

(45) **Date of Patent:** **** Jul. 7, 2020**

(54) **DIAL**

(71) Applicant: **Harry Winston SA**, Plan-les-Ouates (CH)

(72) Inventor: **Steve Kamilindi**, Puplinge (CH)

(73) Assignee: **Harry Winston SA**, Plan-les-Ouates (CH)

(**) Term: **15 Years**

(21) Appl. No.: **29/651,510**

(22) Filed: **Aug. 20, 2018**

(30) **Foreign Application Priority Data**

Feb. 20, 2018 (WO) DM/100453

(51) **LOC (12) Cl.** **10-07**

(52) **U.S. Cl.**
USPC **D10/123**

(58) **Field of Classification Search**
USPC D10/122, 123, 124, 125, 126, 132, 30,
D10/31, 32, 34, 37, 38, 39, 1, 2, 99;
D11/79, 86

CPC G04B 1/00; G04B 19/00; G04B 19/02;
G04B 19/046; G04B 19/06; G04B
19/065; G04B 19/08; G04B 19/20; G04B
19/085; G04B 19/18; G04B 19/12; G04B
19/24; G04B 19/202; G04B 19/166

See application file for complete search history.

(56) **References Cited**

U.S. PATENT DOCUMENTS

D178,771 S * 9/1956 Doerwald D10/39
D301,693 S * 6/1989 Canta D10/126

D494,491 S * 8/2004 Sauter D10/126
D530,227 S * 10/2006 Senggen D10/32
D552,490 S * 10/2007 Laucella D10/31
D562,716 S * 2/2008 Kume D10/126
D766,766 S * 9/2016 Lasserre D10/126
D786,704 S * 5/2017 Behling D10/38

OTHER PUBLICATIONS

Amazon, Stuhrling Original Tourbillon Watch, posted Nov. 5, 2013, [online], [visited Aug. 29, 2019]. Internet, URL: <https://www.amazon.ca/Stuhrling-Original-541-334XK1-Tourbillon-Mechanical/dp/B00GGOJ04Q> (Year: 2013).*

* cited by examiner

Primary Examiner — Sheryl Lane

Assistant Examiner — Samantha N Wood

(74) *Attorney, Agent, or Firm* — Blank Rome LLP

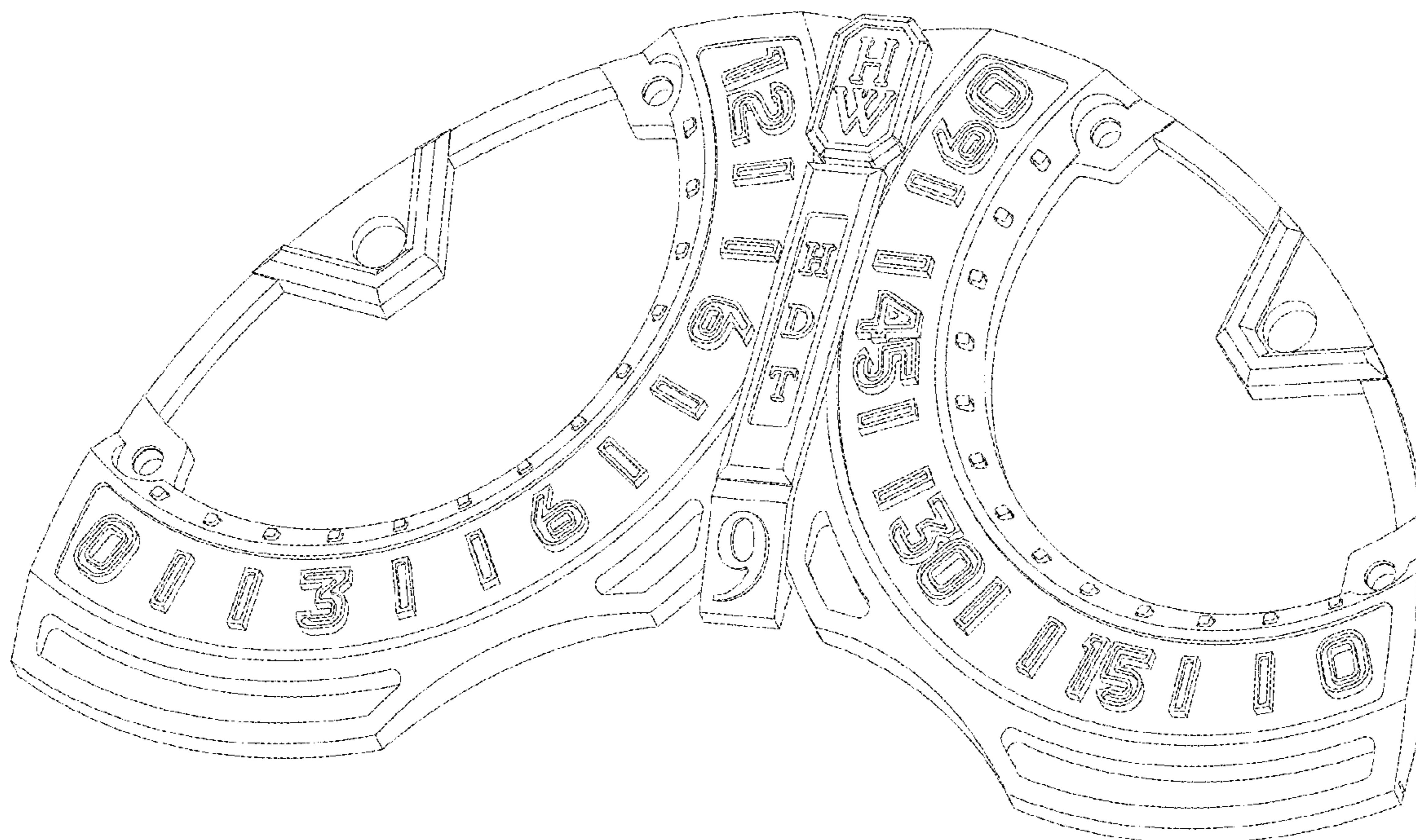
(57) **CLAIM**

The ornamental design for a dial, as shown and described.

DESCRIPTION

FIG. 1 is a front view of a dial of the present design;
FIG. 2 is a rear view thereof;
FIG. 3 is a right side view thereof;
FIG. 4 is a left side view thereof;
FIG. 5 is a top view thereof;
FIG. 6 is a bottom view thereof; and
FIG. 7 is a front perspective view thereof; and,
FIG. 8 is a rear perspective view thereof.

1 Claim, 8 Drawing Sheets



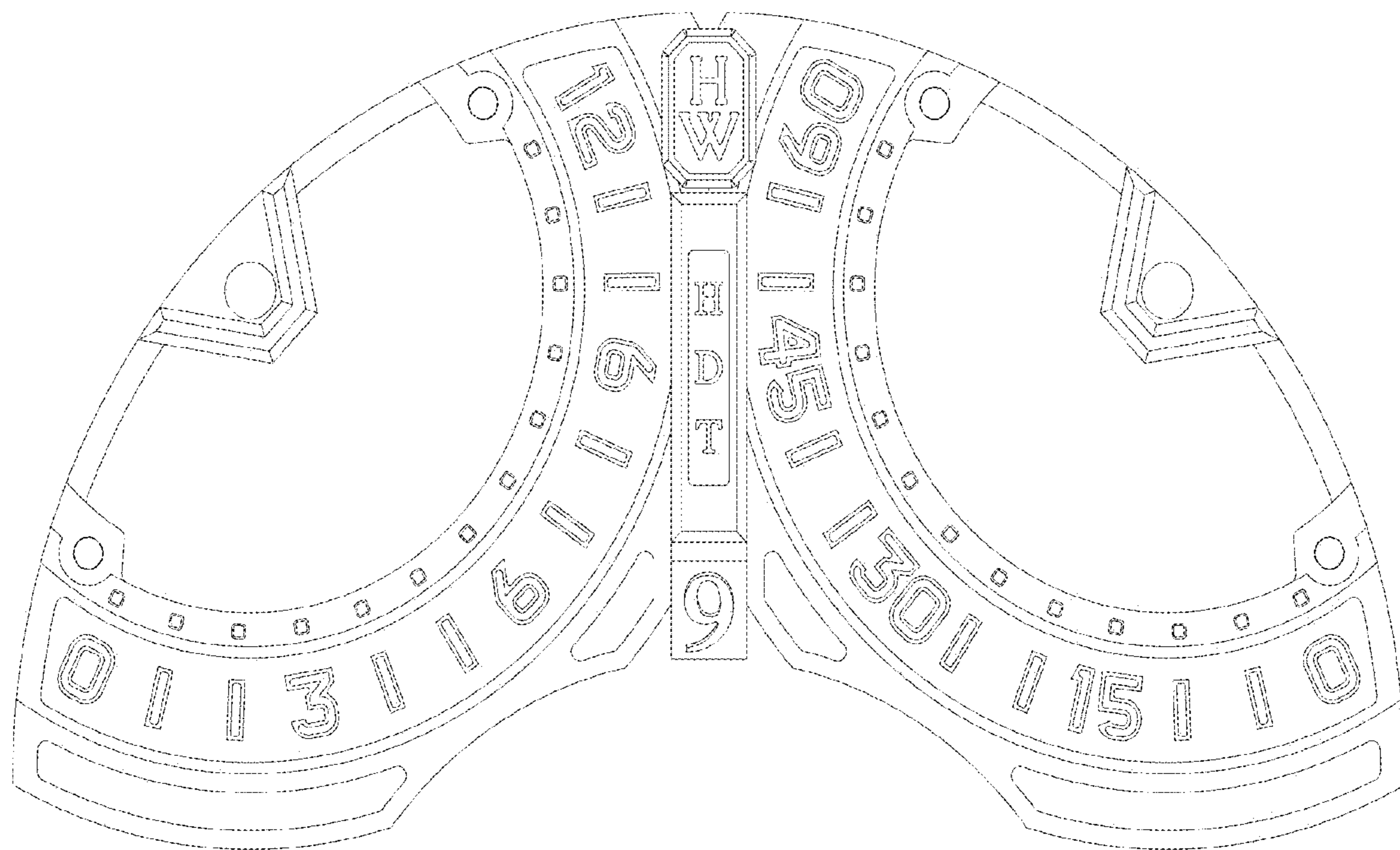


FIG. 1

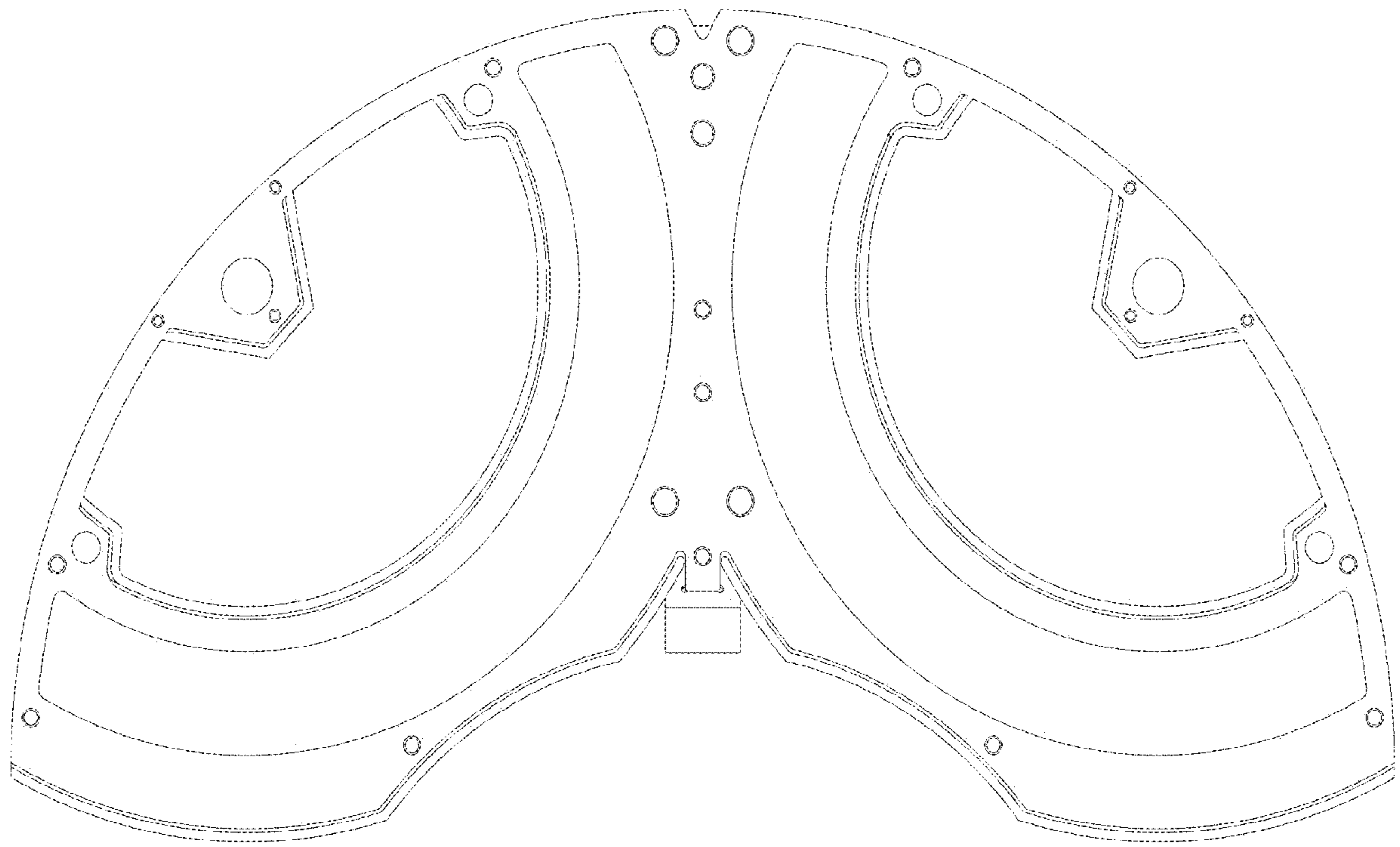


FIG. 2

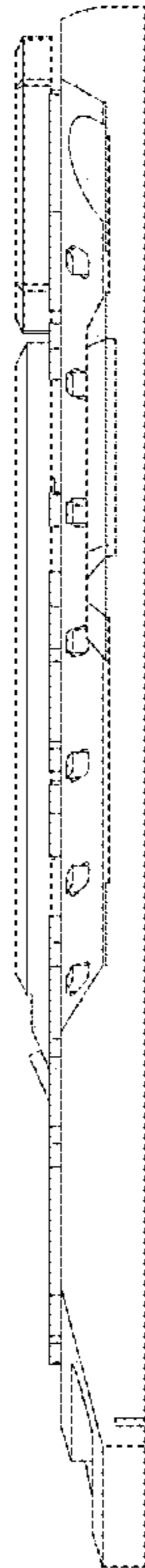


FIG. 3

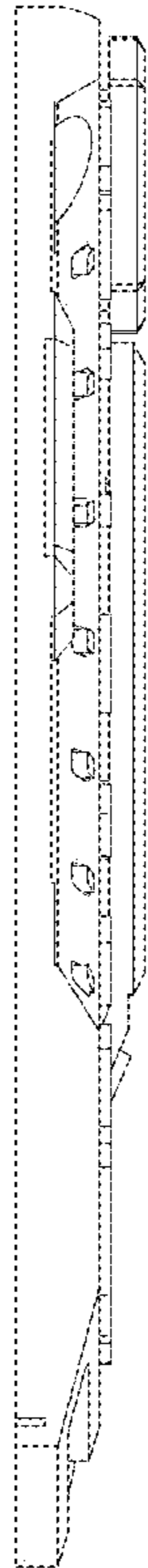


FIG. 4

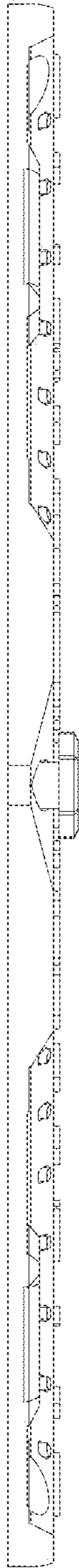


FIG. 5

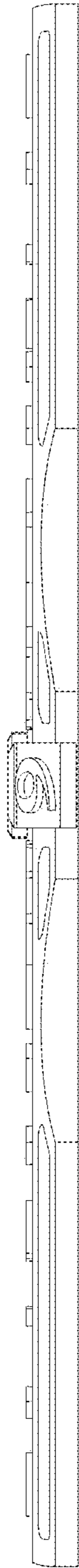


FIG. 6

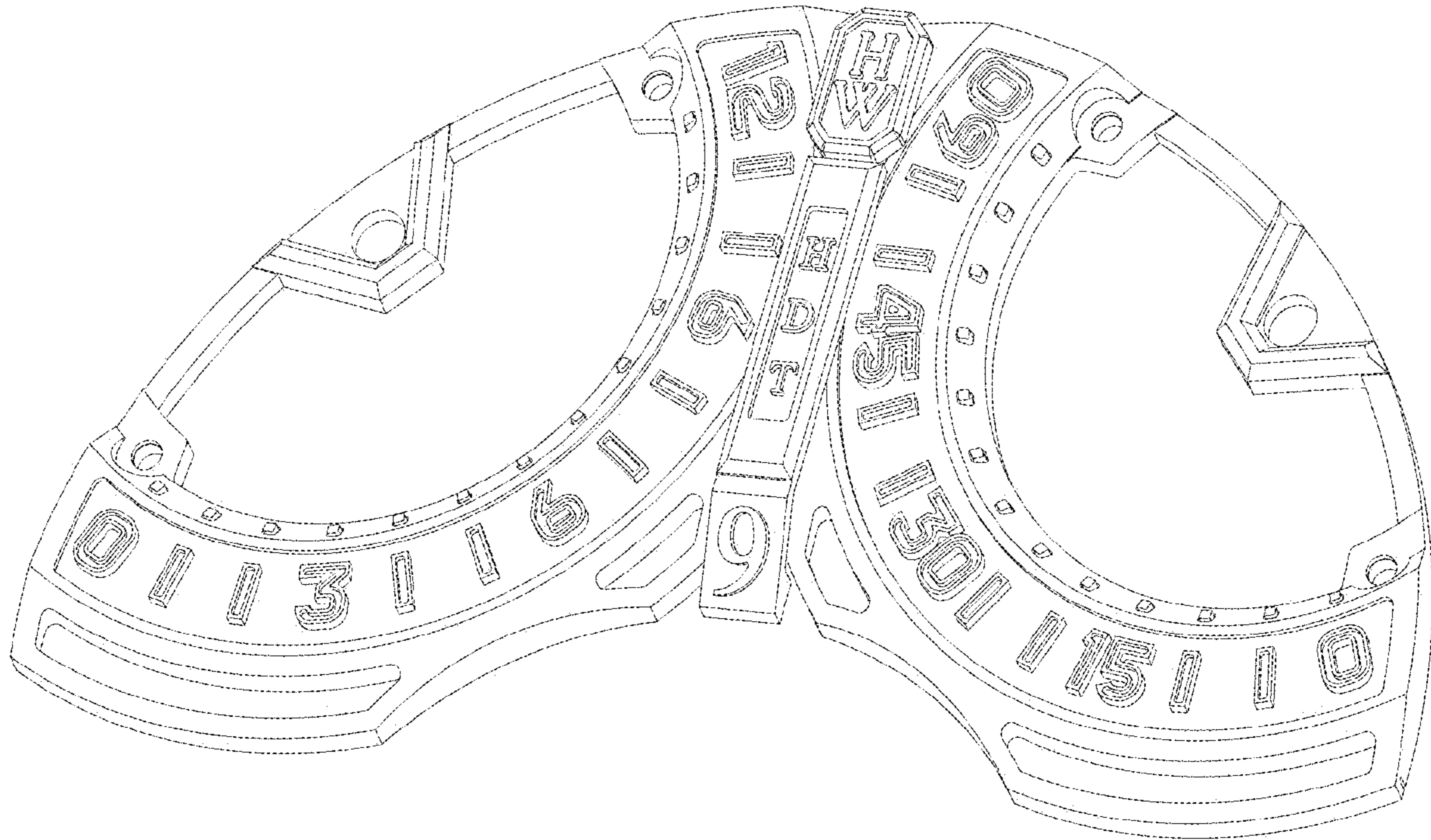


FIG. 7

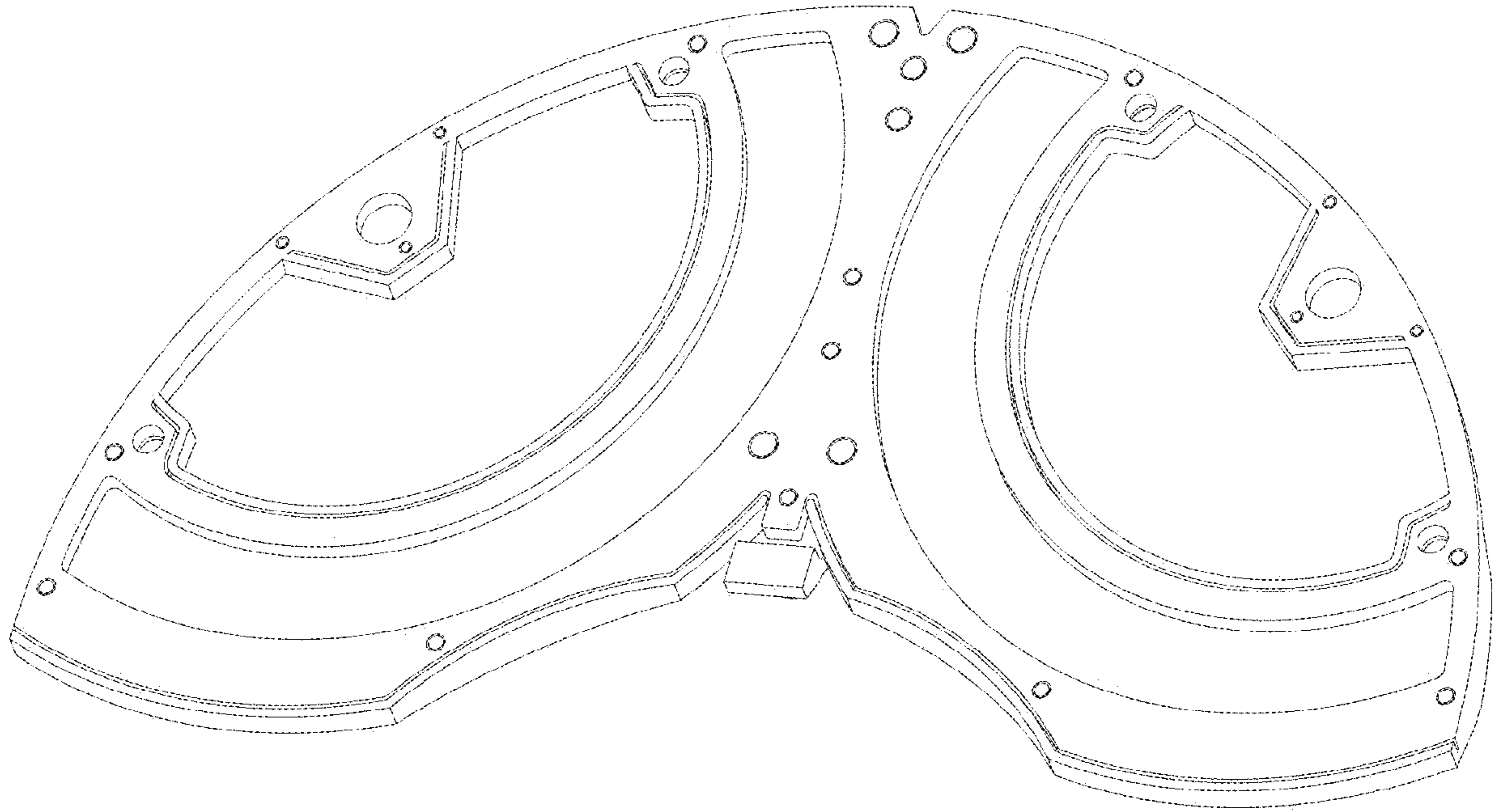


FIG. 8