



US00D889301S

(12) **United States Design Patent** (10) **Patent No.:** **US D889,301 S**
Siminoff et al. (45) **Date of Patent:** **** Jul. 7, 2020**

- (54) **AUDIO/VIDEO DOORBELL AND DOOR VIEWER**
- (71) Applicant: **Amazon Technologies, Inc.**, Seattle, WA (US)
- (72) Inventors: **Mark Siminoff**, Mountain View, CA (US); **Matthew J. England**, Santa Monica, CA (US); **James Siminoff**, Pacific Palisades, CA (US); **Christopher Loew**, Palo Alto, CA (US)
- (73) Assignee: **Amazon Technologies, Inc.**, Seattle, WA (US)
- (**) Term: **15 Years**
- (21) Appl. No.: **29/681,330**
- (22) Filed: **Feb. 25, 2019**

Related U.S. Application Data

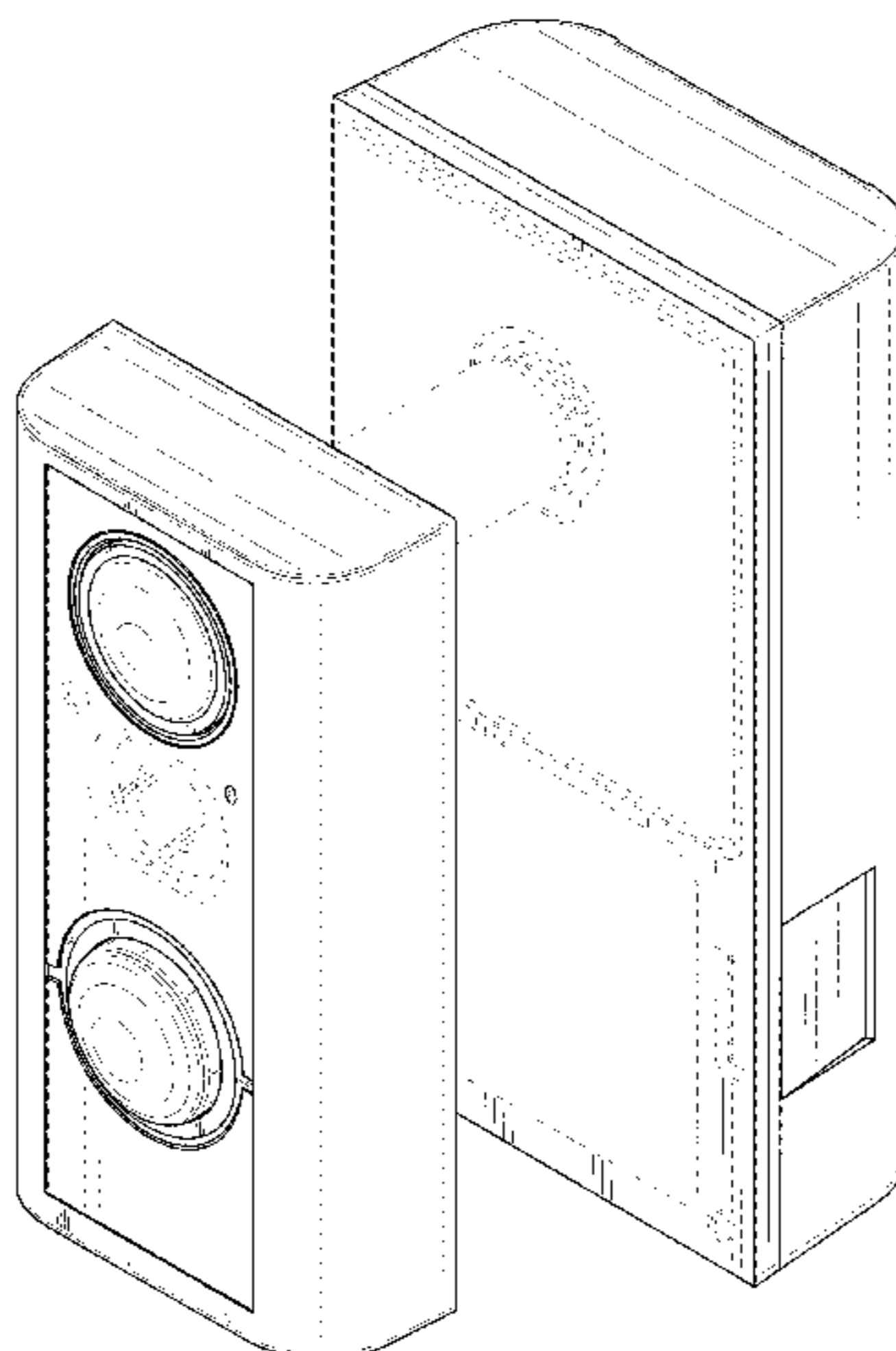
- (63) Continuation-in-part of application No. 29/673,311, filed on Dec. 13, 2018.
- (51) **LOC (12) Cl.** **10-05**
- (52) **U.S. Cl.**
USPC **D10/118.2**
- (58) **Field of Classification Search**
USPC D10/118.2; D16/202
CPC G08B 13/19658
See application file for complete search history.

References Cited

U.S. PATENT DOCUMENTS

D243,615 S	3/1977	Kaye	
7,193,644 B2	3/2007	Carter	
D636,424 S *	4/2011	Lin D16/202
8,139,098 B2	3/2012	Carter	
8,144,183 B2	3/2012	Carter	
8,154,581 B2	4/2012	Carter	
8,294,574 B2 *	10/2012	Haywood G08B 13/19658 340/540
D680,063 S	4/2013	Sasada	
8,780,201 B1	7/2014	Scalisi et al.	

8,823,795 B1	9/2014	Scalisi et al.	
8,842,180 B1	9/2014	Kasmir et al.	
8,872,915 B1	10/2014	Scalisi et al.	
8,937,659 B1	1/2015	Scalisi et al.	
8,941,736 B1	1/2015	Scalisi	
8,947,530 B1	2/2015	Scalisi	
8,953,040 B1	2/2015	Scalisi et al.	
9,013,575 B2	4/2015	Scalisi	
9,049,352 B2	6/2015	Scalisi et al.	
9,053,622 B2	6/2015	Scalisi	
9,058,738 B1	6/2015	Scalisi	
9,060,103 B2	6/2015	Scalisi	
9,060,104 B2	6/2015	Scalisi	
9,065,987 B2	6/2015	Kasmir et al.	
9,094,584 B2	7/2015	Scalisi et al.	
9,113,051 B1	8/2015	Scalisi	
9,113,052 B1	8/2015	Scalisi et al.	
9,118,819 B1	8/2015	Scalisi et al.	
9,142,214 B2	9/2015	Scalisi	
9,160,987 B1	10/2015	Kasmir et al.	
9,165,444 B2	10/2015	Scalisi	
9,172,920 B1	10/2015	Kasmir et al.	
9,172,921 B1	10/2015	Scalisi et al.	
9,172,922 B1	10/2015	Kasmir et al.	
D742,312 S	11/2015	Gupta et al.	
9,179,107 B1	11/2015	Scalisi et al.	
9,179,108 B1	11/2015	Scalisi et al.	
9,179,109 B1	11/2015	Kasmir et al.	
9,196,133 B2	11/2015	Scalisi et al.	
9,197,867 B1	11/2015	Scalisi et al.	
9,230,424 B1	1/2016	Scalisi et al.	
9,237,318 B2	1/2016	Kasmir et al.	
9,247,219 B2	1/2016	Kasmir et al.	
9,253,455 B1	2/2016	Harrison et al.	
D754,556 S *	4/2016	Bousquet D10/118.2
9,342,936 B2	5/2016	Scalisi	
D760,647 S	7/2016	Chen	
D764,404 S	8/2016	Lau et al.	
9,508,239 B1	11/2016	Harrison et al.	
D788,061 S	5/2017	Siminoff	
D789,820 S	6/2017	Siminoff et al.	
D793,268 S *	8/2017	Ye D10/118.2
9,736,284 B2	8/2017	Scalisi et al.	
9,743,049 B2	8/2017	Scalisi et al.	
9,769,435 B2	9/2017	Scalisi et al.	
9,786,133 B2	10/2017	Harrison et al.	
9,799,183 B2	10/2017	Harrison et al.	
D812,556 S	3/2018	Xu	
D816,606 S	5/2018	Georgiades	
D819,476 S	6/2018	Siminoff et al.	
D820,137 S	6/2018	Siminoff et al.	
D820,706 S	6/2018	Siminoff et al.	
D820,707 S	6/2018	Siminoff et al.	



D820,708 S	6/2018	Siminoff et al.	
D822,518 S	7/2018	Siminoff et al.	
D822,519 S	7/2018	Siminoff et al.	
D822,520 S	7/2018	Siminoff et al.	
D823,239 S	7/2018	Gupta et al.	
D825,456 S	8/2018	Daravong	
D829,585 S	10/2018	Siminoff et al.	
D830,871 S	10/2018	Siminoff et al.	
D833,313 S	11/2018	Siminoff et al.	
D837,080 S	1/2019	Siminoff et al.	
D838,669 S	1/2019	Miller et al.	
D840,857 S *	2/2019	Scalisi	D10/118.2
D840,858 S *	2/2019	Siminoff	D10/118.2
D842,244 S	3/2019	Li	
D844,560 S	4/2019	Miller et al.	
D848,299 S *	5/2019	Li	D10/118.2
D849,082 S *	5/2019	Boling	D16/202
D853,265 S *	7/2019	Grearson	D10/118.2
D853,320 S	7/2019	Guo	
D853,322 S	7/2019	Xu	
D858,338 S *	9/2019	Yu	D10/118.2
D858,434 S	9/2019	Park et al.	
D860,029 S *	9/2019	Yang	D10/118.2
D860,129 S	9/2019	Price	
D860,936 S	9/2019	Jia	
D861,592 S	10/2019	Venugopal et al.	
D861,595 S	10/2019	He	
D862,384 S	10/2019	Jen	
D864,861 S	10/2019	Roberts	
D866,379 S *	11/2019	Siminoff	D10/118.2
D866,380 S *	11/2019	Siminoff	D10/118.2
D867,280 S	11/2019	Chen	
D874,963 S *	2/2020	Siminoff	D10/118.2
D875,809 S *	2/2020	Huang	D16/203
2003/0095185 A1	5/2003	Naifeh	
2006/0213682 A1	9/2006	Moon et al.	
2007/0103548 A1	5/2007	Carter	
2018/0234668 A1	8/2018	Bauswell	
2019/0364244 A1	11/2019	Siminoff et al.	

FOREIGN PATENT DOCUMENTS

CN	304279386 S	9/2017
CN	304897992 S	11/2018
CN	304933710 S	12/2018
EM	005795788-0001 L	1/2019
EP	2385703	11/2011
JP	1651500	1/2020
JP	1651502	1/2020
TW	265988 A	12/1995
TW	D170846 A	10/2015
WO	WO2007081894	7/2007

OTHER PUBLICATIONS

The Chinese Office Action dated Jan. 14, 2020, for Chinese Design Application No. 201930465085.4, a counterpart foreign application of the U.S. Appl. No. 29/681,330, 1 pages.

The Japanese Office Action dated Jan. 31, 2020 for Japanese Patent Application No. 2019-014703, a counterpart of U.S. Appl. No. 29/675,488, 3 pages.

The Japanese Office Action dated Jan. 31, 2020 for Japanese Patent Application No. 2019-014704, a counterpart of U.S. Appl. No. 29/675,488, 3 pages.

The Japanese Office Action dated Jan. 31, 2020 for Japanese Patent Application No. 2019-014705, a counterpart of U.S. Appl. No. 29/675,488, 3 pages.

The Japanese Office Action dated Jan. 31, 2020 for Japanese Patent Application No. 2019-014706, a counterpart of U.S. Appl. No. 29/675,488, 3 pages.

Office Action for U.S. Appl. 16/218,920, dated Feb. 5, 2020, Siminoff, "Audio/Video Device With Viewer", 10 Pages.

The Translated Taiwanese Office Action dated Dec. 12, 2019 for Taiwanese Patent Application No. 108302982, a counterpart of U.S. Appl. No. 29/673,311, 2 pages.

The Translated Taiwanese Office Action dated Dec. 13, 2019 for Taiwanese Patent Application No. 108302983, a counterpart of U.S. Appl. No. 29/673,311, 2 pages.

The Translated Taiwanese Office Action dated Dec. 13, 2019 for Taiwanese Patent Application No. 10821187230, a counterpart of U.S. Appl. No. 29/673,311, 2 pages.

The Taiwanese Office Action dated Nov. 15, 2019 for Taiwanese Patent Application No. 108302722, a counterpart of U.S. Appl. No. 29/670,249, 4 pages.

The Taiwanese Office Action dated Nov. 15, 2019 for Taiwanese Patent Application No. 108302720, a counterpart of U.S. Appl. No. 29/670,249, 4 pages.

The Taiwanese Office Action dated Nov. 15, 2019 for Taiwanese Patent Application No. 108302721, a counterpart of U.S. Appl. No. 29/670,249, 4 pages.

The Taiwanese Office Action dated Nov. 15, 2019 for Taiwanese Patent Application No. 108302725, a counterpart of U.S. Appl. No. 29/670,259, 4 pages.

The Taiwanese Office Action dated Nov. 15, 2019 for Taiwanese Patent Application No. 108302724, a counterpart of U.S. Appl. No. 29/670,259, 4 pages.

The Taiwanese Office Action dated Nov. 15, 2019 for Taiwanese Patent Application No. 108302726, a counterpart of U.S. Appl. No. 29/670,259, 4 pages.

The Taiwanese Office Action dated Dec. 12, 2019 for Taiwanese Patent Application No. 108302982, a counterpart of U.S. Appl. No. 29/673,311, 6 pages.

The Taiwanese Office Action dated Dec. 13, 2019 for Taiwanese Patent Application No. 108302983, a counterpart of U.S. Appl. No. 29/673,311, 3 pages.

EdimaxTV; "Installation of Edimax IC-6220DC Wireless Peephole Camera", retrieved on Jun. 22, 2018 at <<https://www.youtube.com/watch?reload=9&v=6qGH1XzA_7o>>, YouTube, Video, 3 minutes, 2 pages.

The Australian Office Action dated Aug. 5, 2019 for Australian Patent Application No. 201913629, a counterpart of U.S. Appl. No. 29/675,488, 2 pages.

The Chinese Office Action dated Oct. 11, 2019, for Chinese Patent Application No. 201930332256.6, a counterpart foreign application of the U.S. Appl. No. 29/675,488, 1 page.

The Chinese Office Action dated Sep. 29, 2019, for Chinese Patent Application No. 201930259756.1, a counterpart foreign application of the U.S. Appl. No. 29/673,311, 1 page.

The Chinese Office Action dated Sep. 30, 2019 for Chinese Design Application No. 201930233393.4, a counterpart foreign application of the U.S. Appl. No. 29/670,249.

The Japanese Office Action dated Aug. 30, 2019, for Japanese Patent Application No. 2019-012138, a counterpart foreign application of the U.S. Appl. No. 29/673,311, 3 pages.

The Japanese Office Action dated Aug. 30, 2019, for Japanese Patent Application No. 2019-012139, a counterpart foreign application of the U.S. Appl. No. 29/673,311, 3 pages.

The Japanese Office Action dated Aug. 30, 2019, for Japanese Patent Application No. 2019-012141, a counterpart foreign application of the U.S. Appl. No. 29/673,311, 3 pages.

The Japanese Office Action dated Aug. 30, 2019, for Japanese Patent Application No. 2019-012140, a counterpart foreign application of the U.S. Appl. No. 29/673,311, 3 pages.

The Japanese Office Action dated Sep. 6, 2019, for Japanese Patent Application No. 2019-010347, a counterpart foreign application of the U.S. Appl. No. 29/670,259, 3 pages.

The Japanese Office Action dated Aug. 30, 2019, for Japanese Patent Application No. 2019-012142, a counterpart foreign application of the U.S. Appl. No. 29/673,311, 3 pages.

The Japanese Office Action dated Sep. 6, 2019, for Japanese Patent Application No. 2019-010348, a counterpart foreign application of the U.S. Appl. No. 29/670,259, 3 pages.

Non Final Office Action dated Nov. 4, 2019 for U.S. Appl. No. 16/218,920 "Audio/Video Device With Viewer" Siminoff, 8 pages.

The PCT Search Report and Written Opinion dated Aug. 5, 2019, for the PCT Application No. PCT/US2019/027674, 12 pages.

The Japanese Office Action dated Mar. 13, 2020 for Japanese Patent Application No. 2019-018653, a counterpart of U.S. Appl. No. 29/681,330, 3 pages.

The Japanese Office Action dated Mar. 13, 2020 for Japanese Patent Application No. 2019-018654, a counterpart of U.S. Appl. No. 29/681,330, 3 pages.

The Japanese Office Action dated Mar. 13, 2020 for Japanese Patent Application No. 2019-018655, a counterpart of U.S. Appl. No. 29/681,330, 3 pages.

Office Action for U.S. Appl. 29/673,311, dated Apr. 13, 2020, Siminoff, "Audio/Video Doorbell and Door Viewer", 5 Pages.

The Taiwanese Office Action dated Dec. 13, 2019 for Taiwanese Patent Application No. 10821187230, a counterpart of U.S. Appl. No. 29/673,311, 3 pages.

* cited by examiner

Primary Examiner — George D. Kirschbaum
(74) *Attorney, Agent, or Firm* — Lee & Hayes, P.C.

(57) **CLAIM**

The ornamental design for an audio/video doorbell and door viewer, as shown and described.

DESCRIPTION

FIG. 1 is a front, top perspective view of a first embodiment of an audio/video doorbell and door viewer according to the present design; the first embodiment illustrates the audio/video doorbell and door viewer with a movable privacy shutter shown in a closed position;

FIG. 2 is a back, bottom perspective view thereof;

FIG. 3 is a front elevation view thereof;

FIG. 4 is a back elevation view thereof;

FIG. 5 is a left-side elevation view thereof;

FIG. 6 is a right-side elevation view thereof;

FIG. 7 is a top plan view thereof;

FIG. 8 is a bottom plan view thereof;

FIG. 9 is a front perspective view showing unclaimed environment of the first embodiment of the audio/video doorbell and door viewer according to the present design;

FIG. 10 is a back perspective view showing unclaimed environment of the first embodiment of the audio/video doorbell and door viewer according to the present design;

FIG. 11 is a front, top perspective view of a second embodiment of an audio/video doorbell and door viewer according to the present design; the second embodiment illustrates the audio/video doorbell and door viewer with a movable privacy shutter shown in a fully opened position;

FIG. 12 is a back, bottom perspective view thereof;

FIG. 13 is a front elevation view thereof;

FIG. 14 is a back elevation view thereof;

FIG. 15 is a left-side elevation view thereof;

FIG. 16 is a right-side elevation view thereof;

FIG. 17 is a top plan view thereof;

FIG. 18 is a bottom plan view thereof;

FIG. 19 is a front perspective view showing unclaimed environment of the second embodiment of the audio/video doorbell and door viewer according to the present design; and,

FIG. 20 is a back perspective view showing unclaimed environment of the second embodiment of the audio/video doorbell and door viewer according to the present design.

The dashed lines depict portions of the audio/video doorbell and door viewer that form no part of the claimed design, and/or depict environment of the audio/video doorbell and door viewer that forms no part of the claimed design.

1 Claim, 20 Drawing Sheets

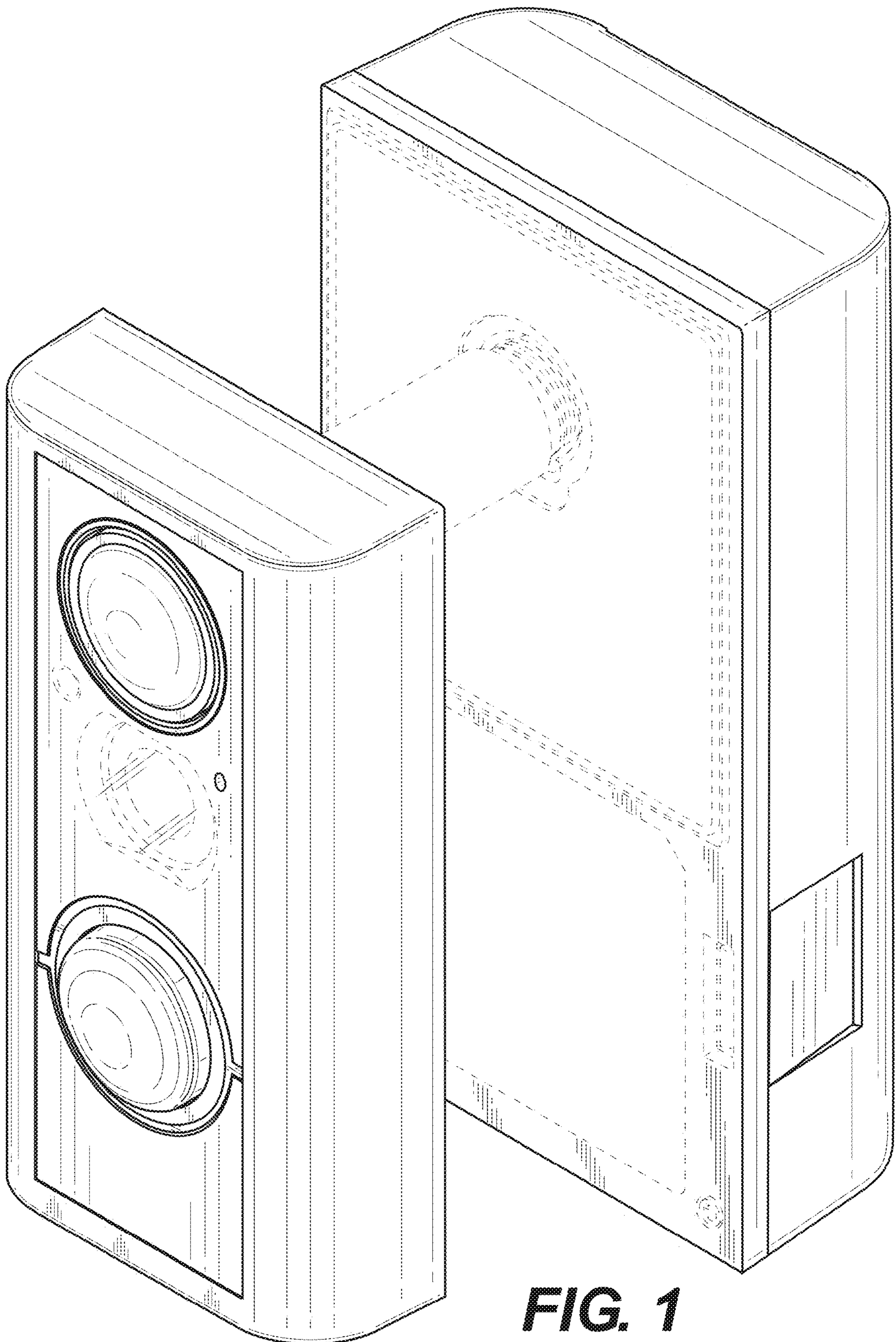


FIG. 1

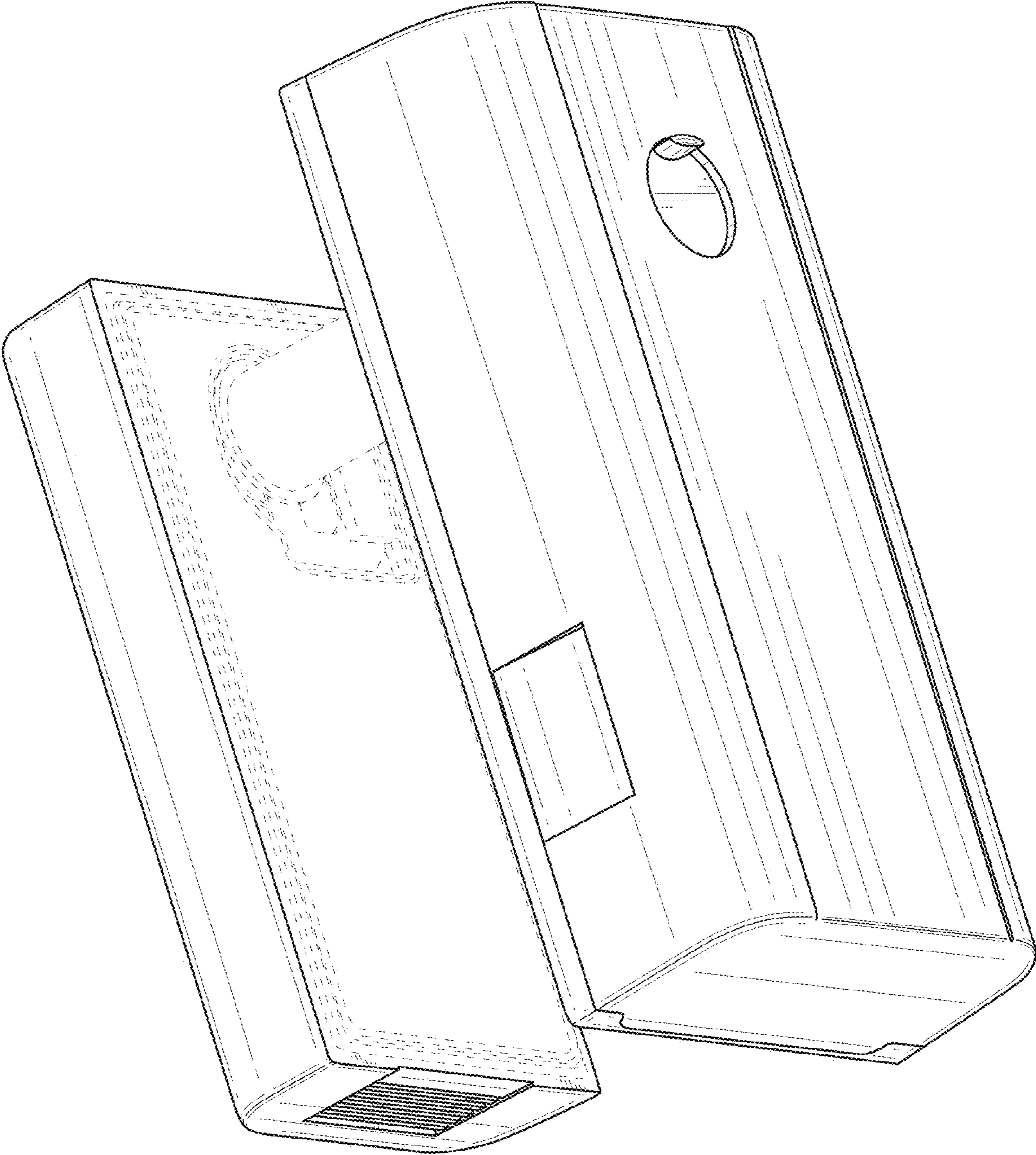


FIG. 2

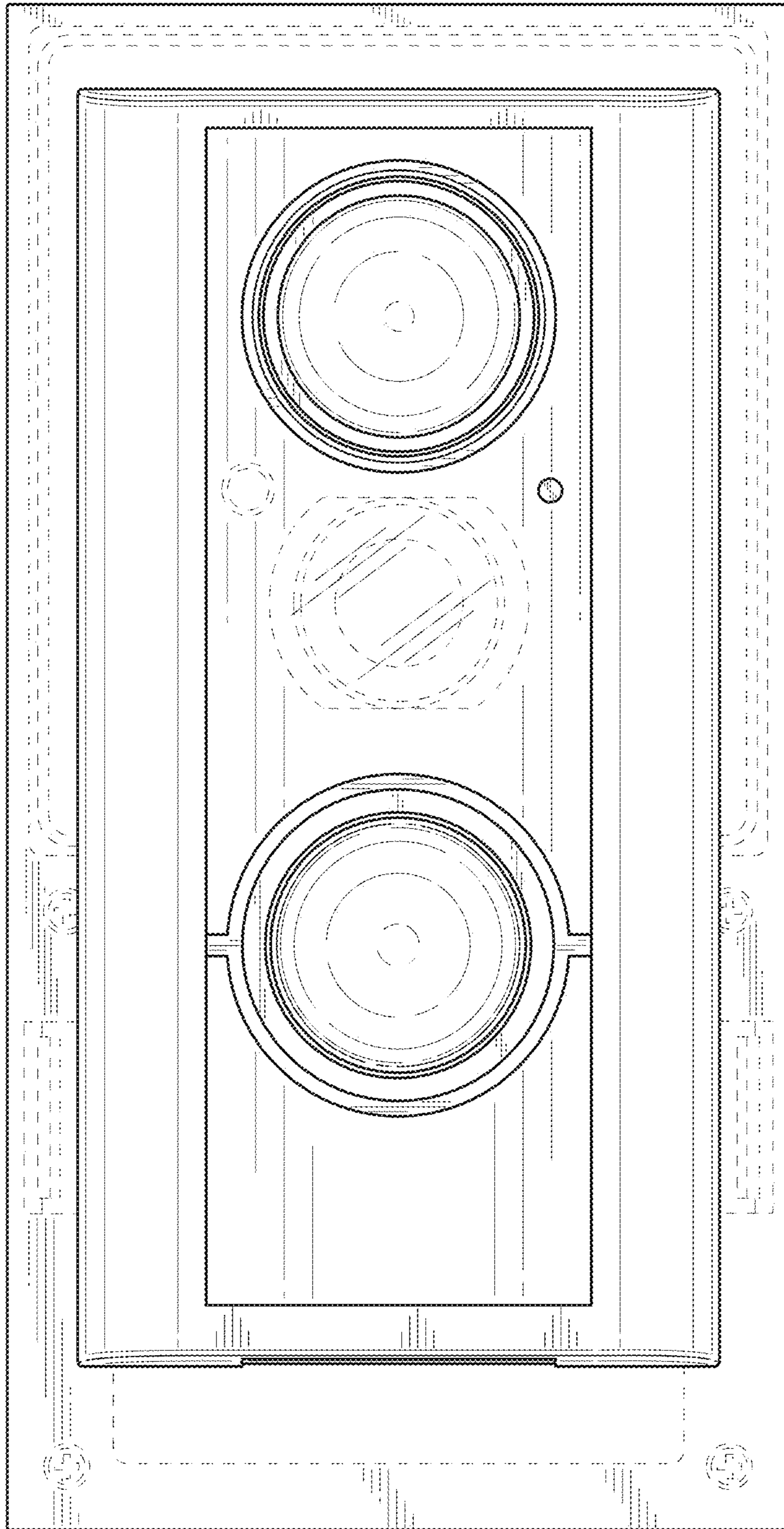


FIG. 3

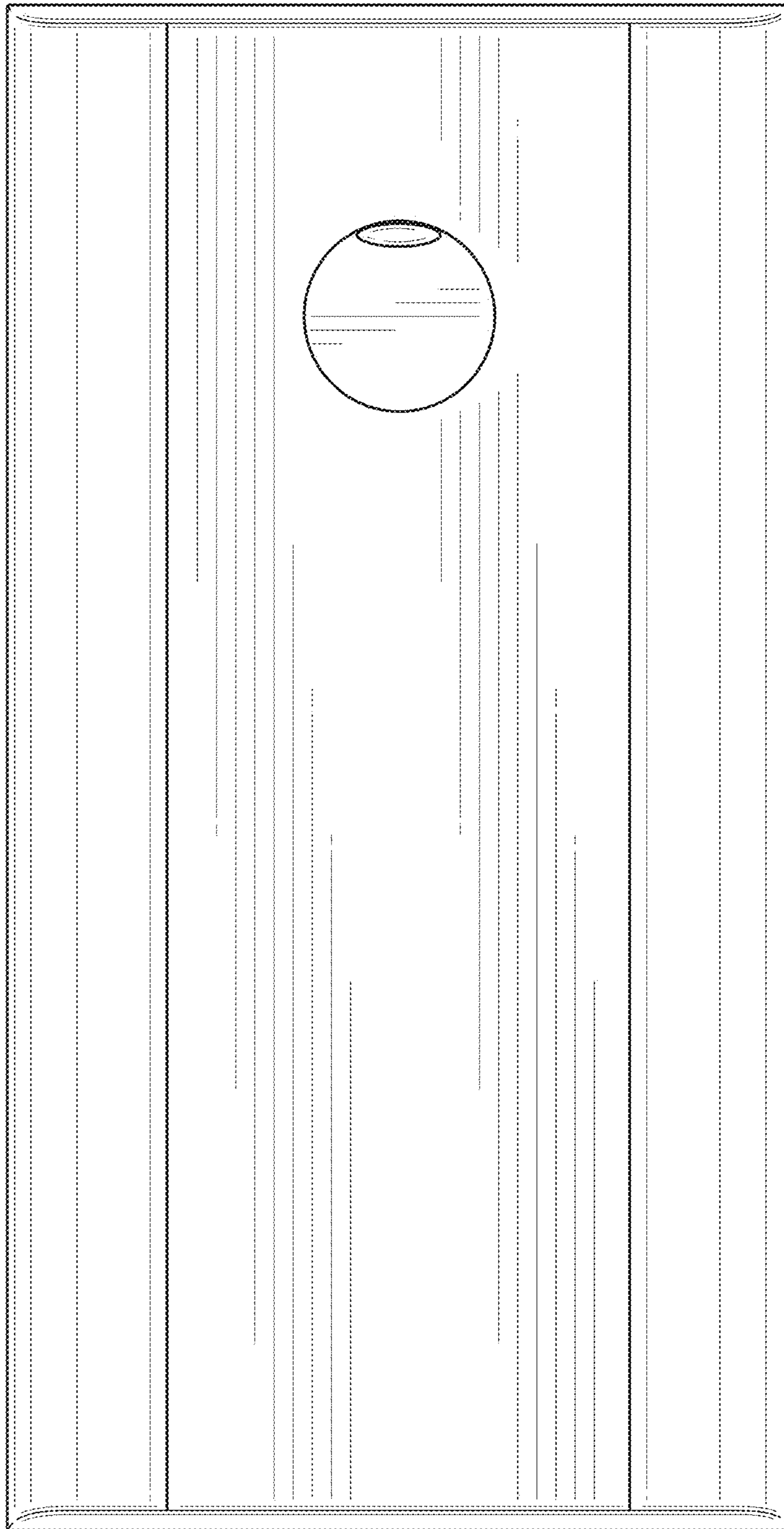


FIG. 4

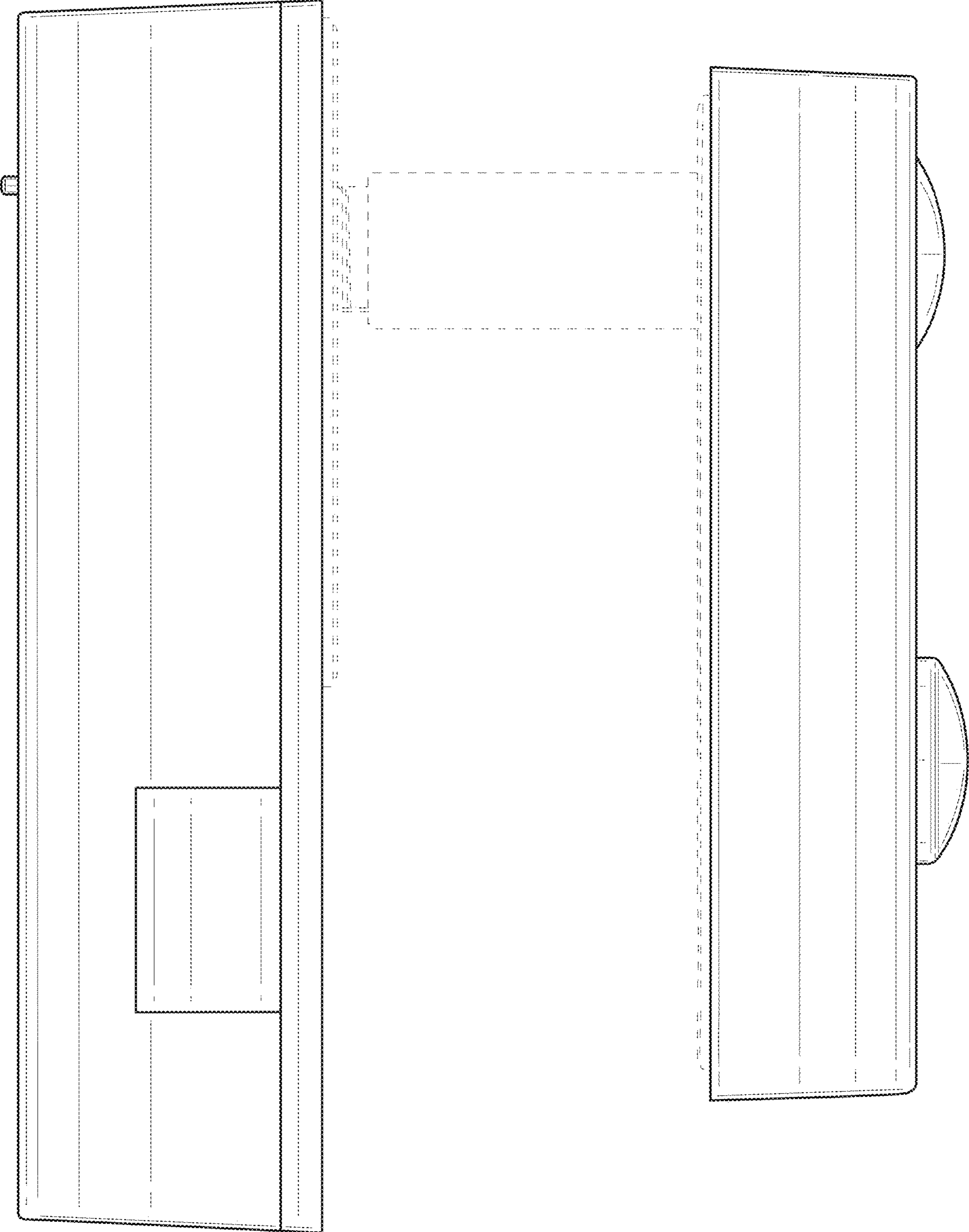


FIG. 5

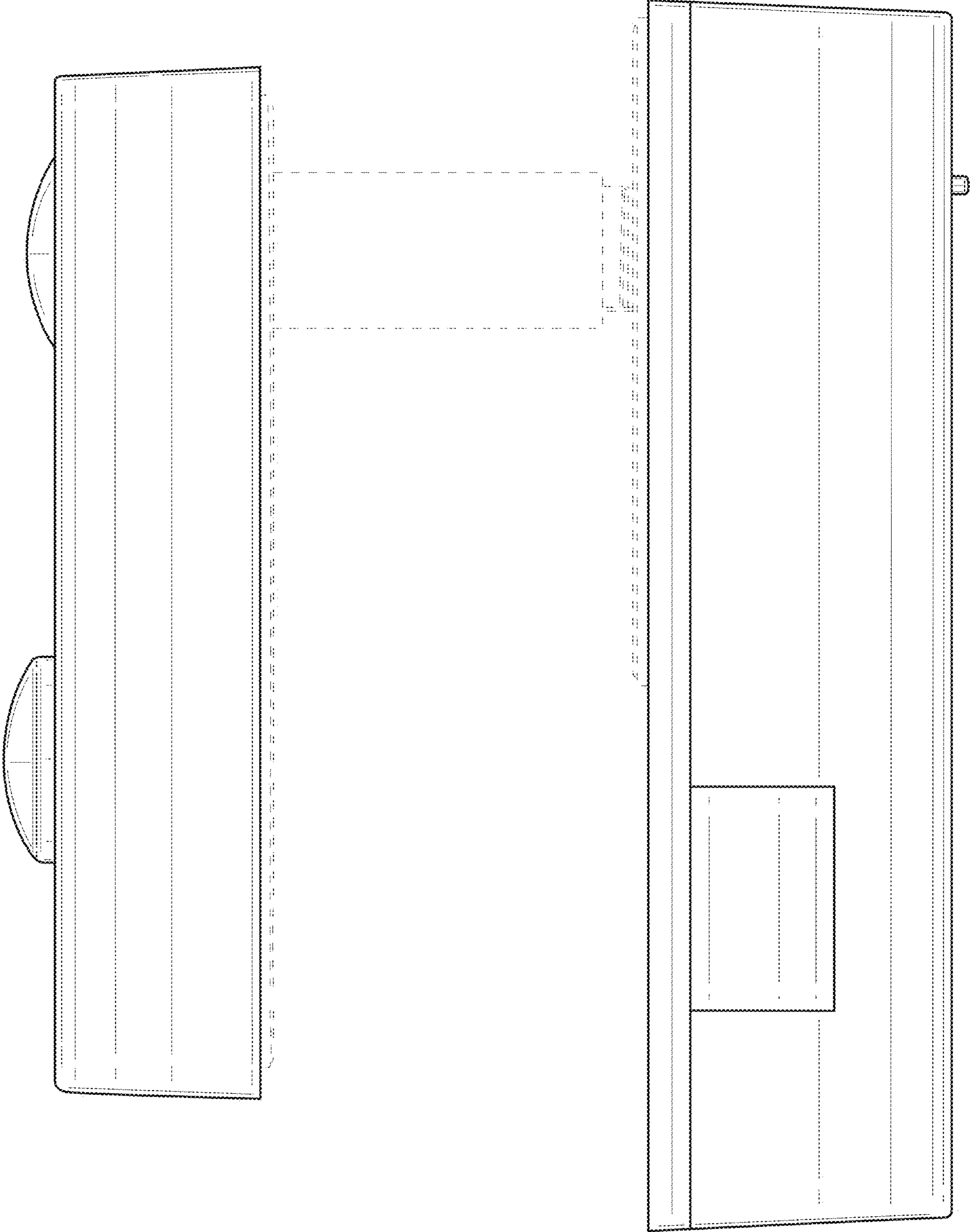


FIG. 6

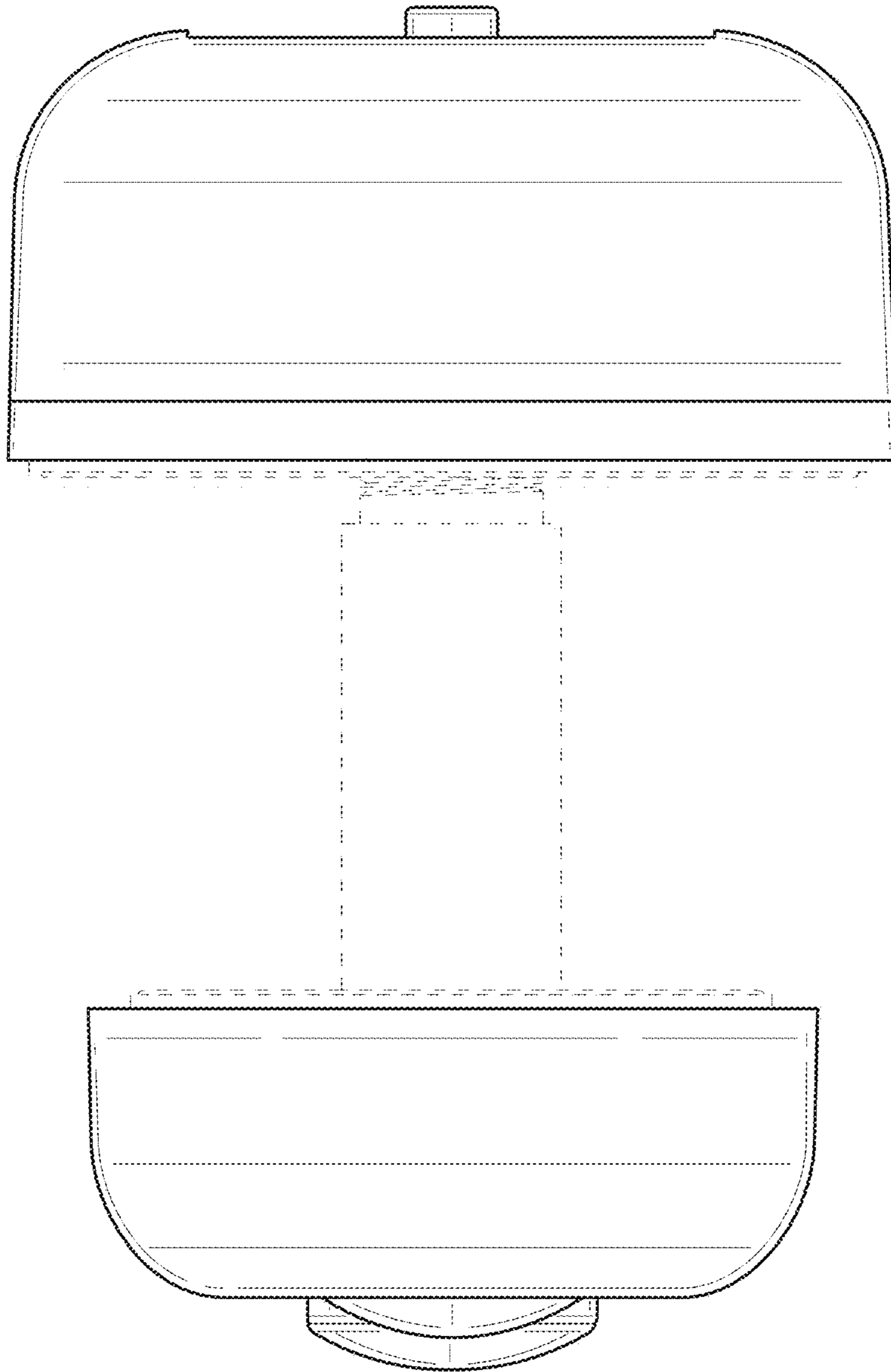


FIG. 7

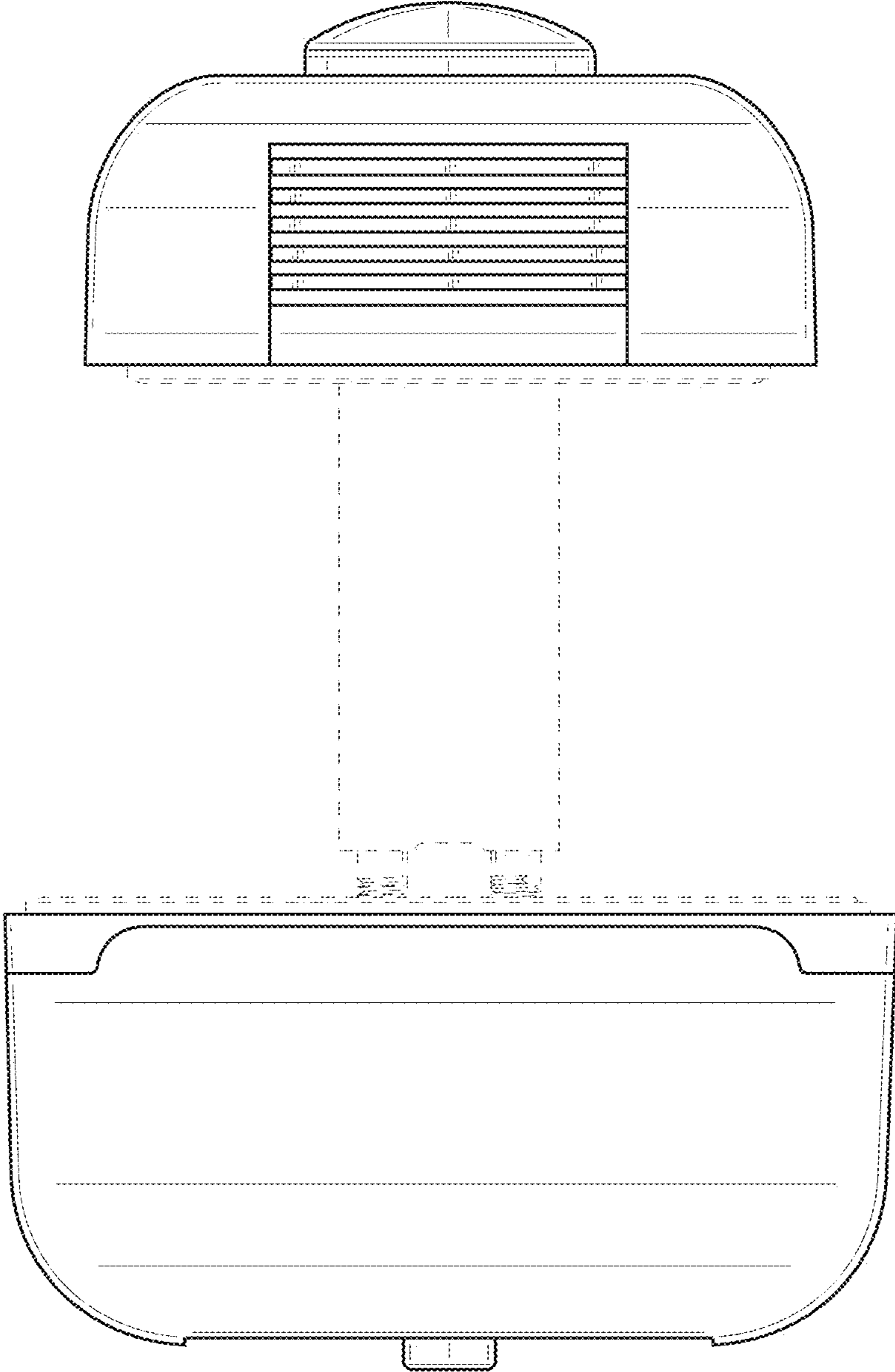


FIG. 8

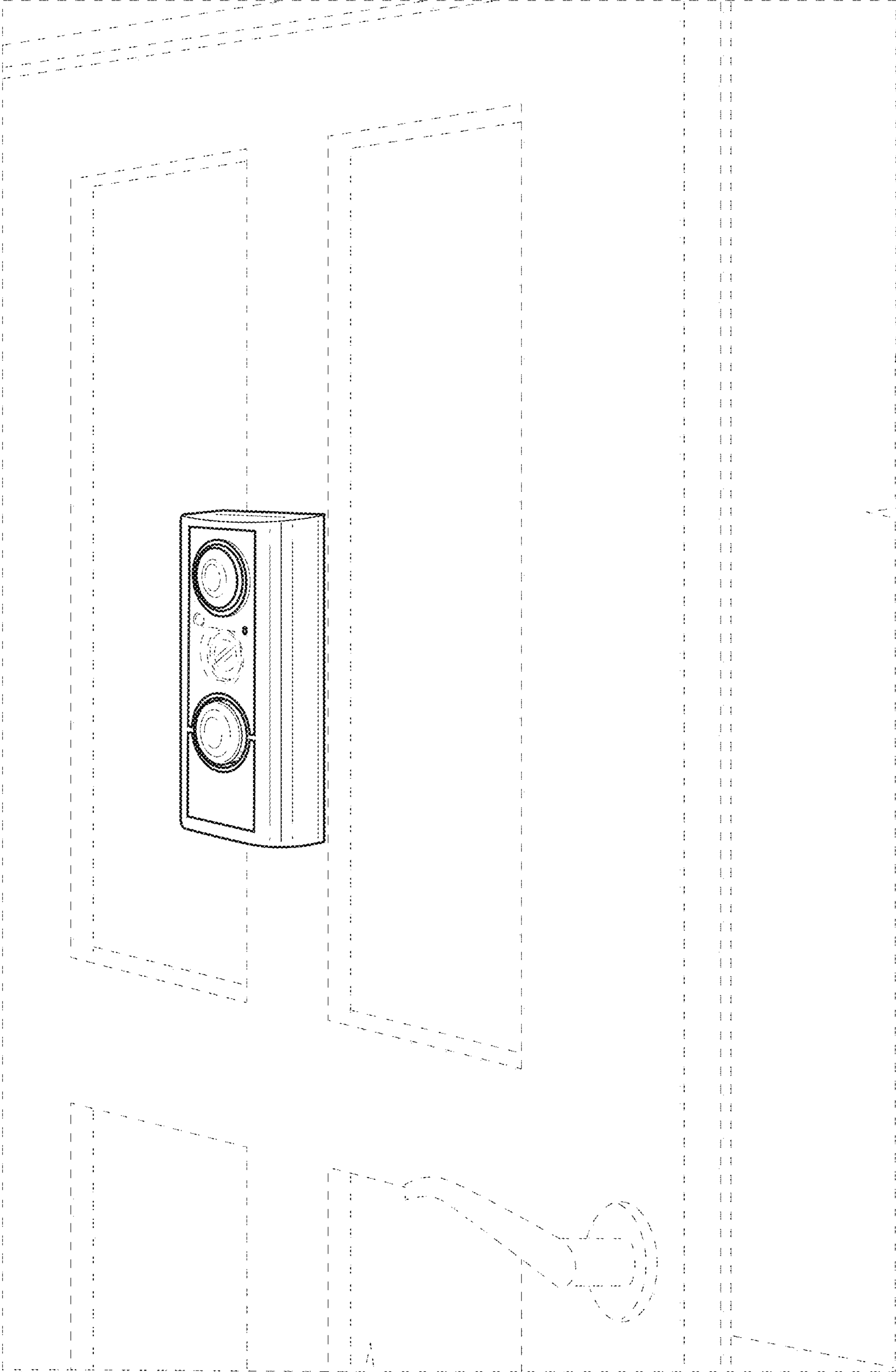


FIG. 9

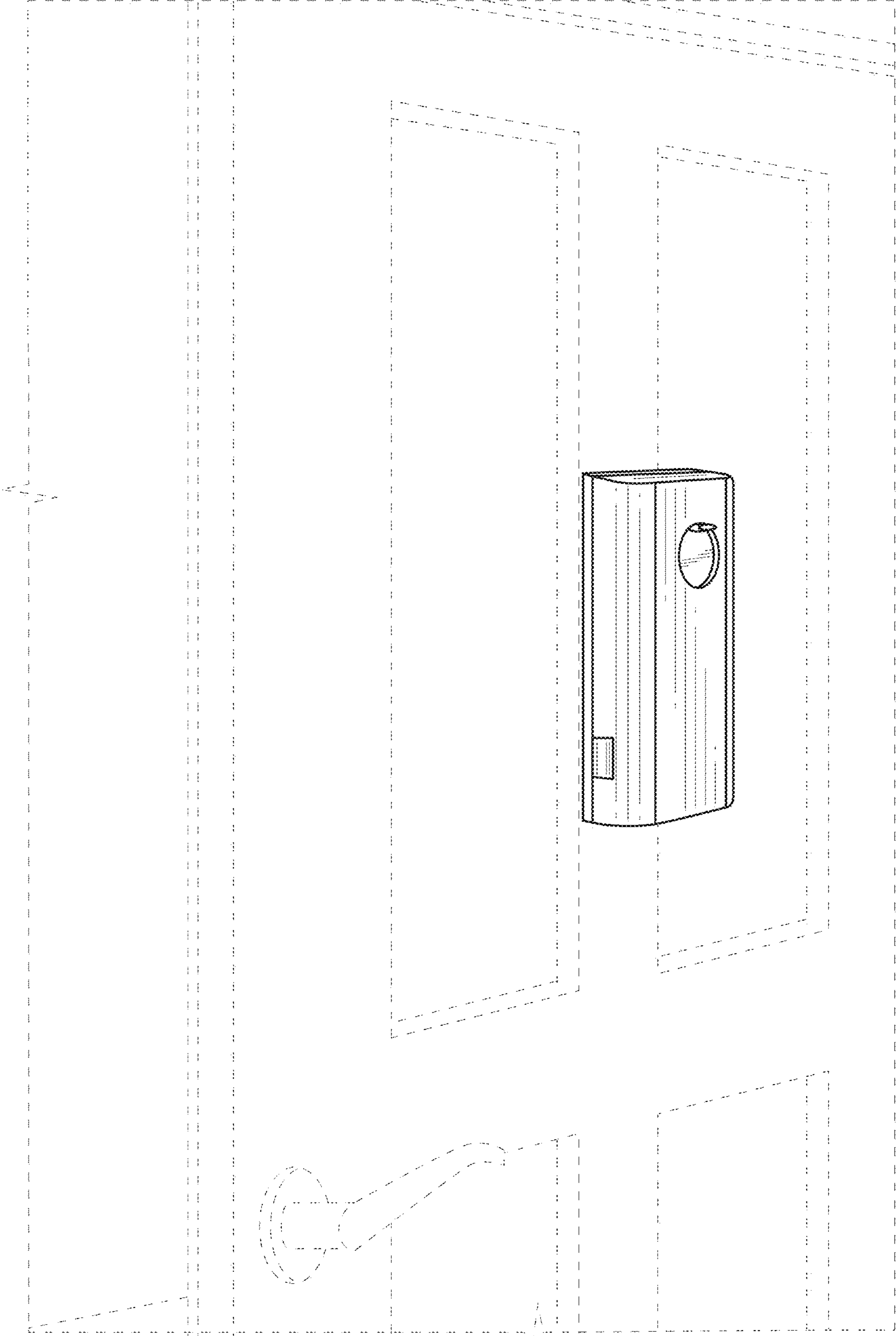


FIG. 10

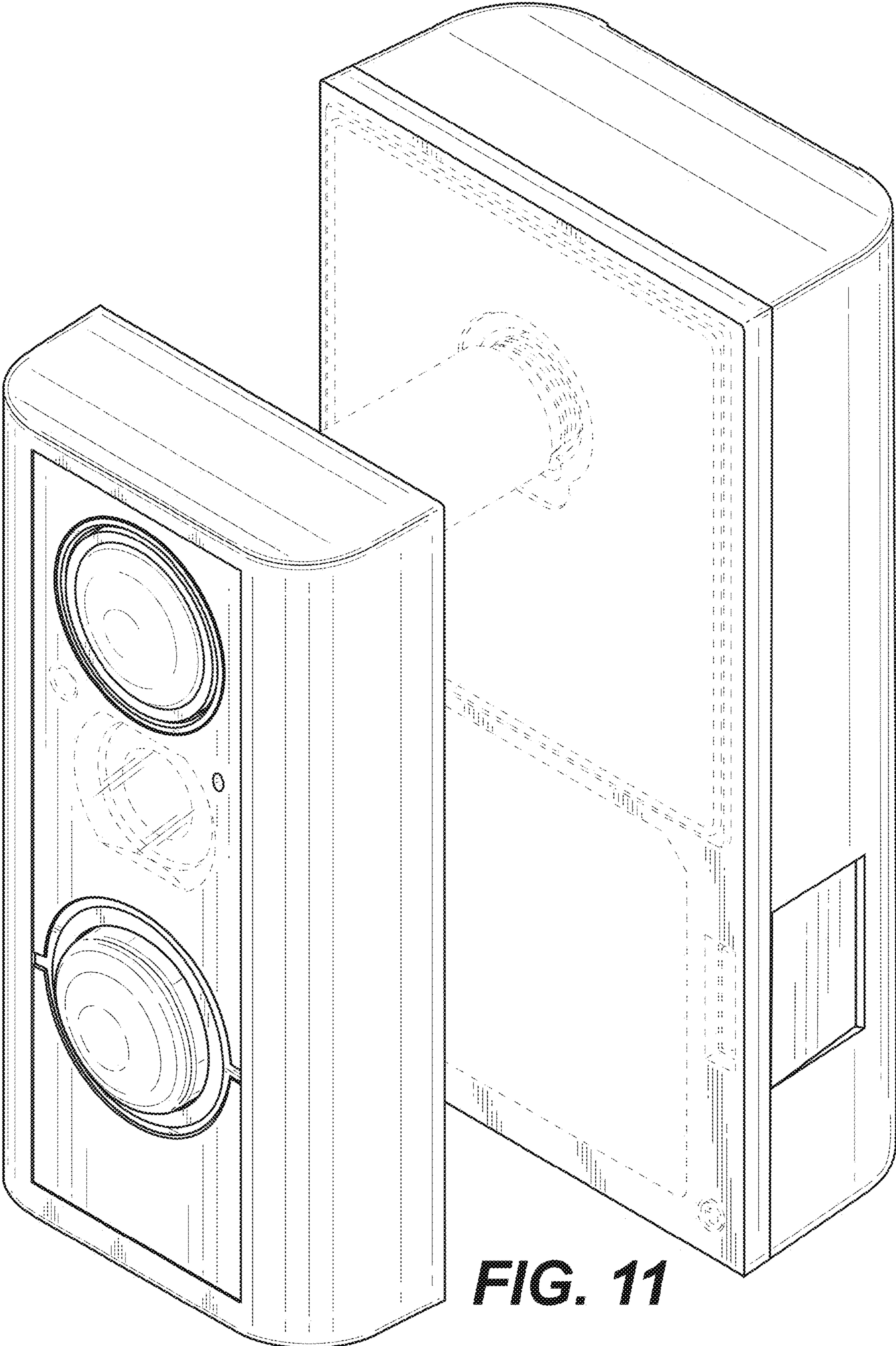


FIG. 11

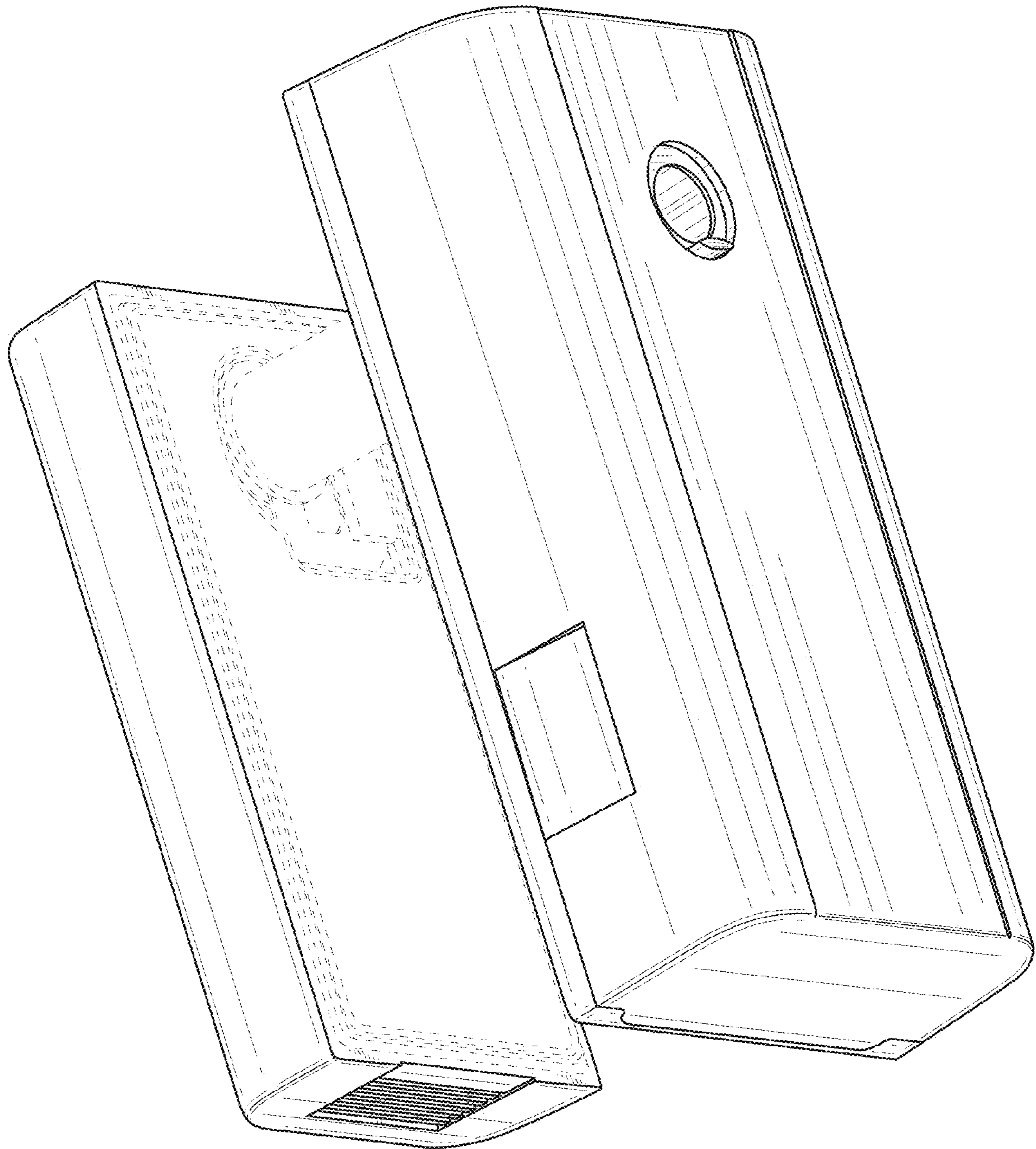


FIG. 12

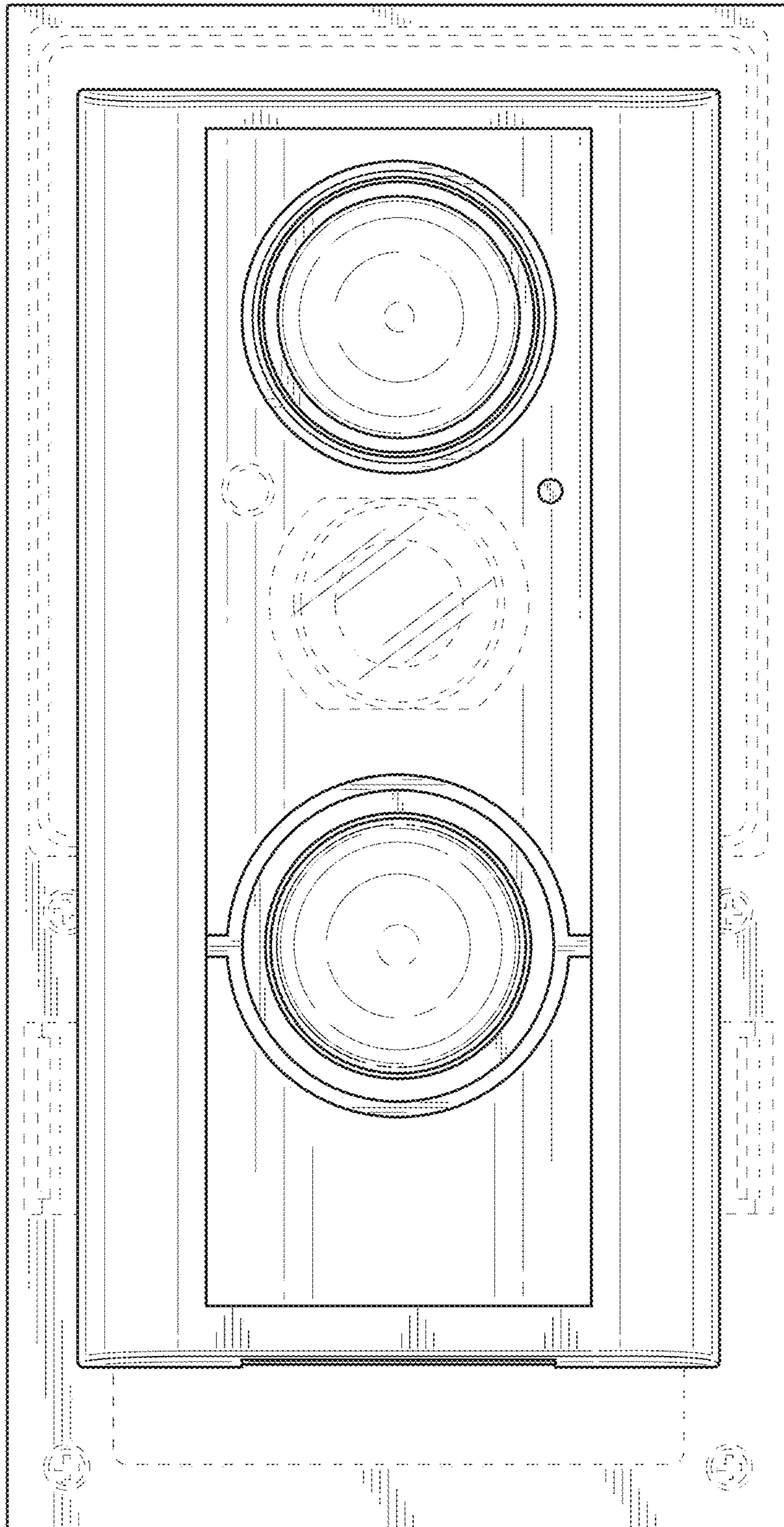


FIG. 13

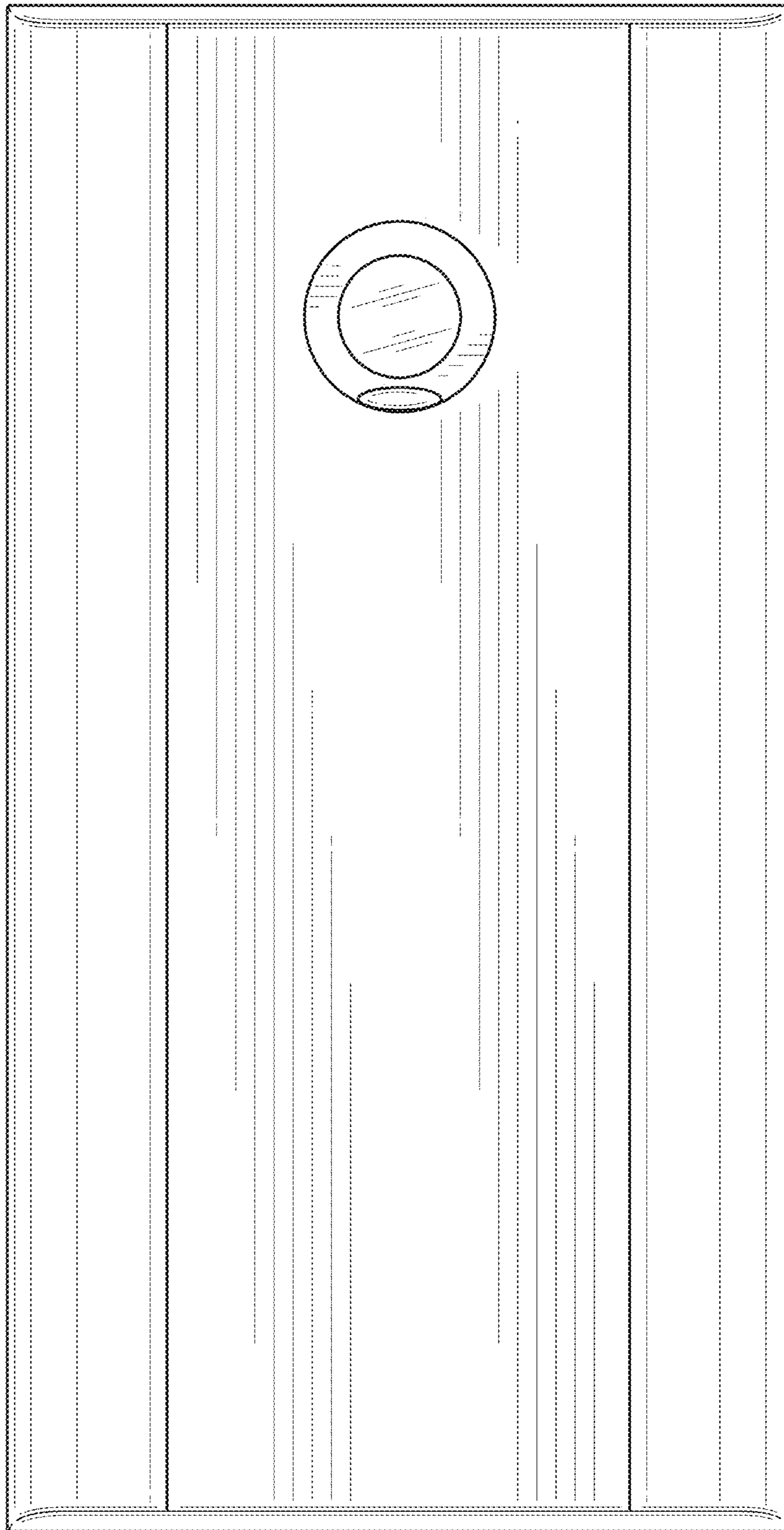


FIG. 14

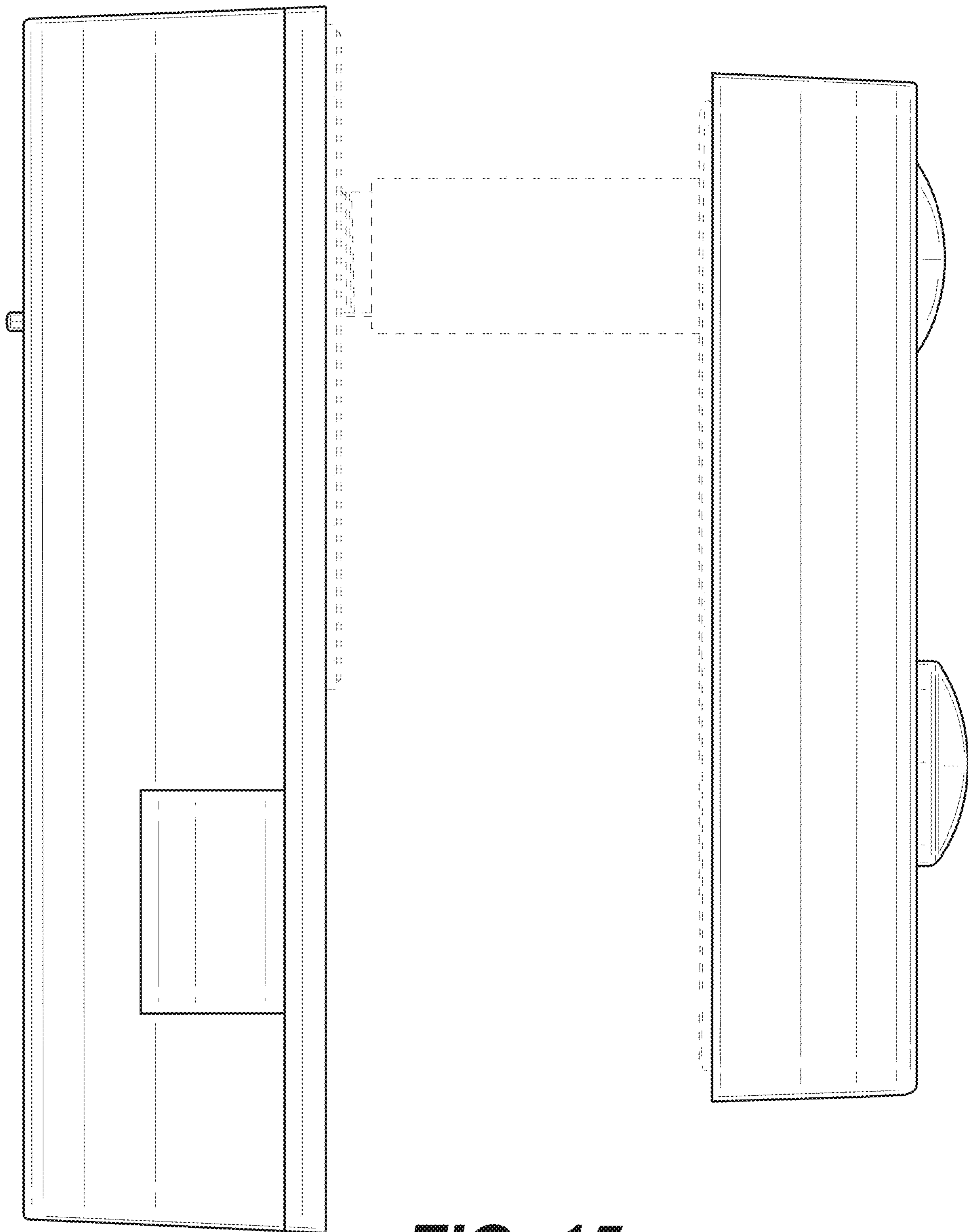


FIG. 15

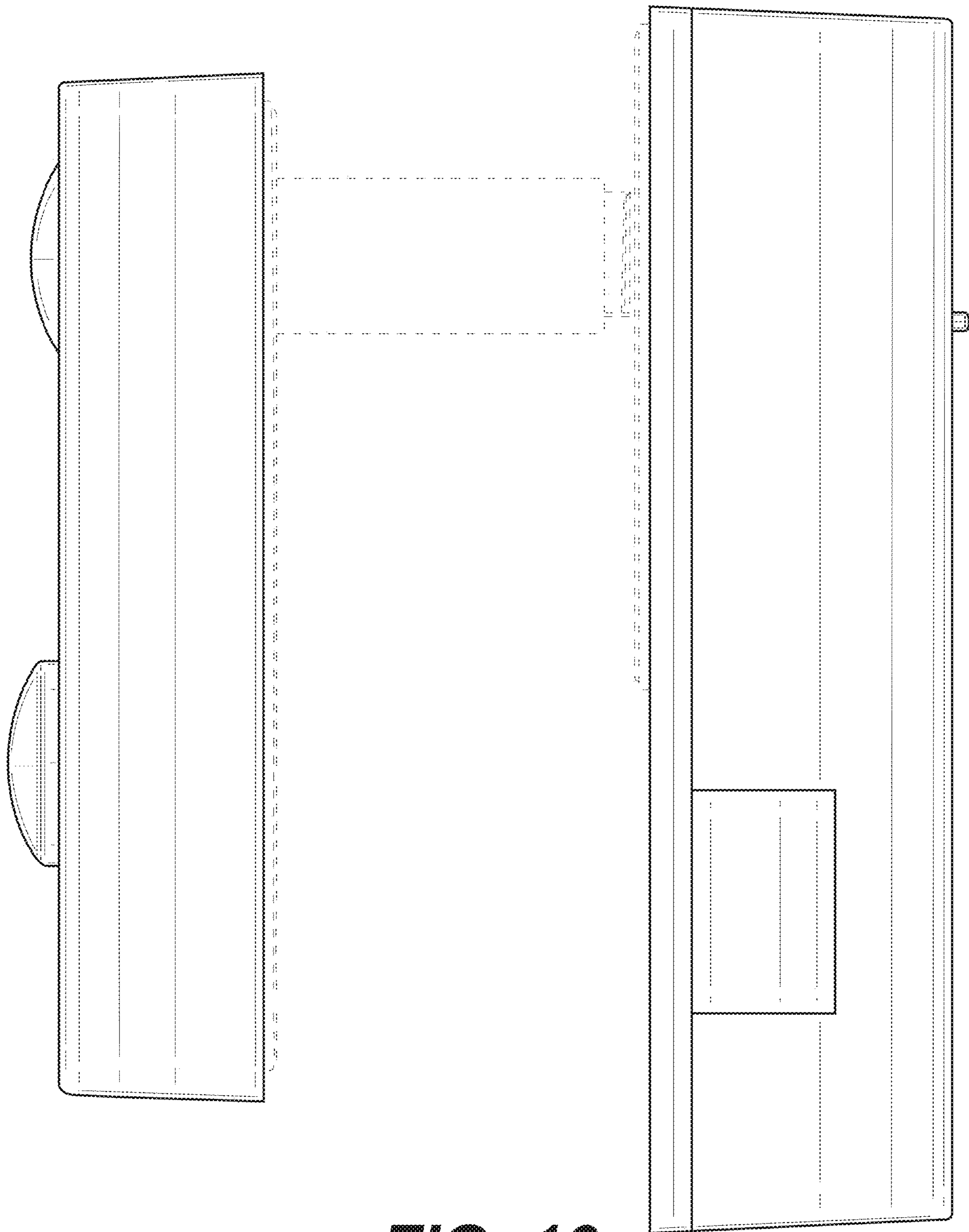


FIG. 16

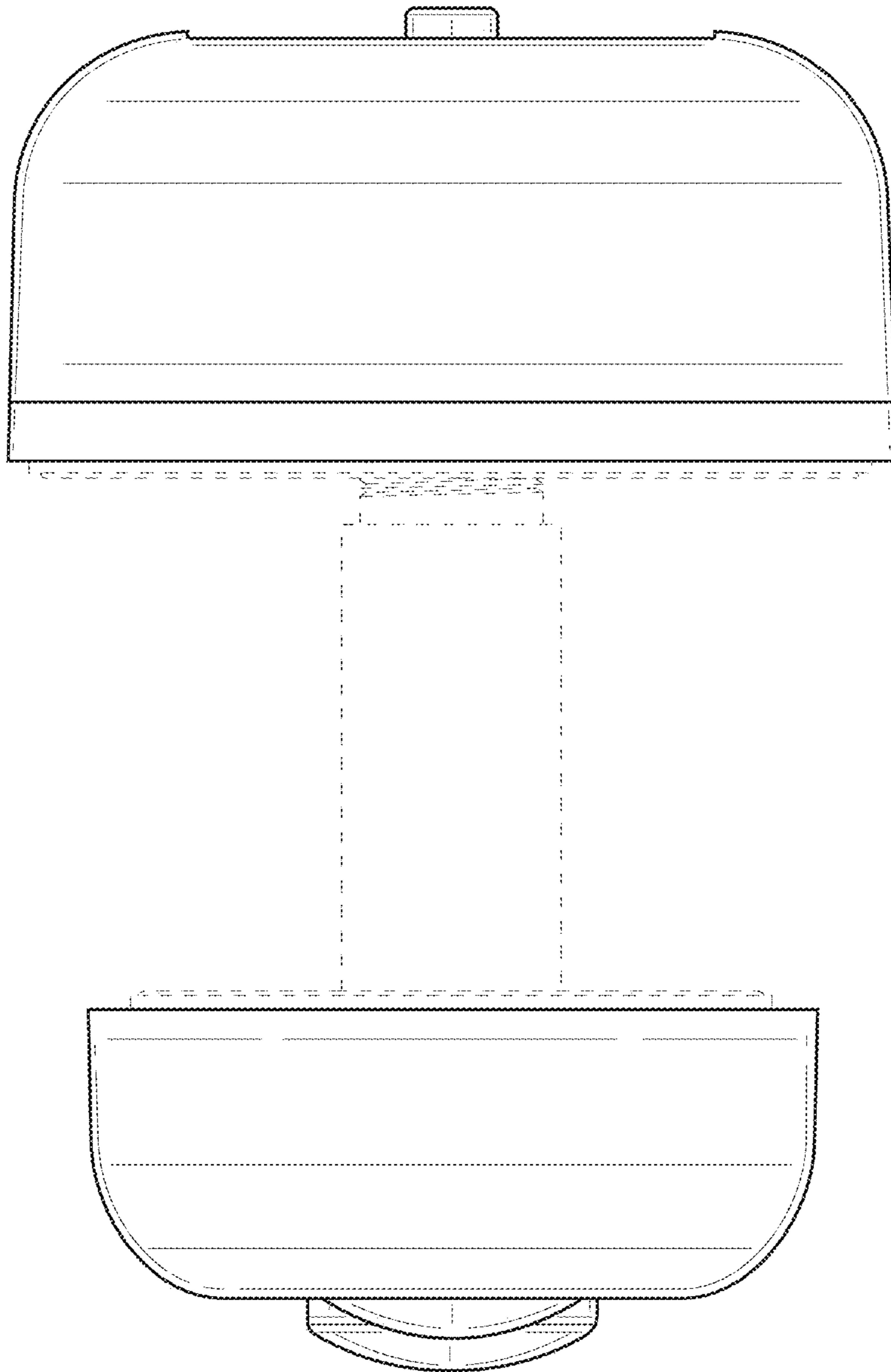


FIG. 17

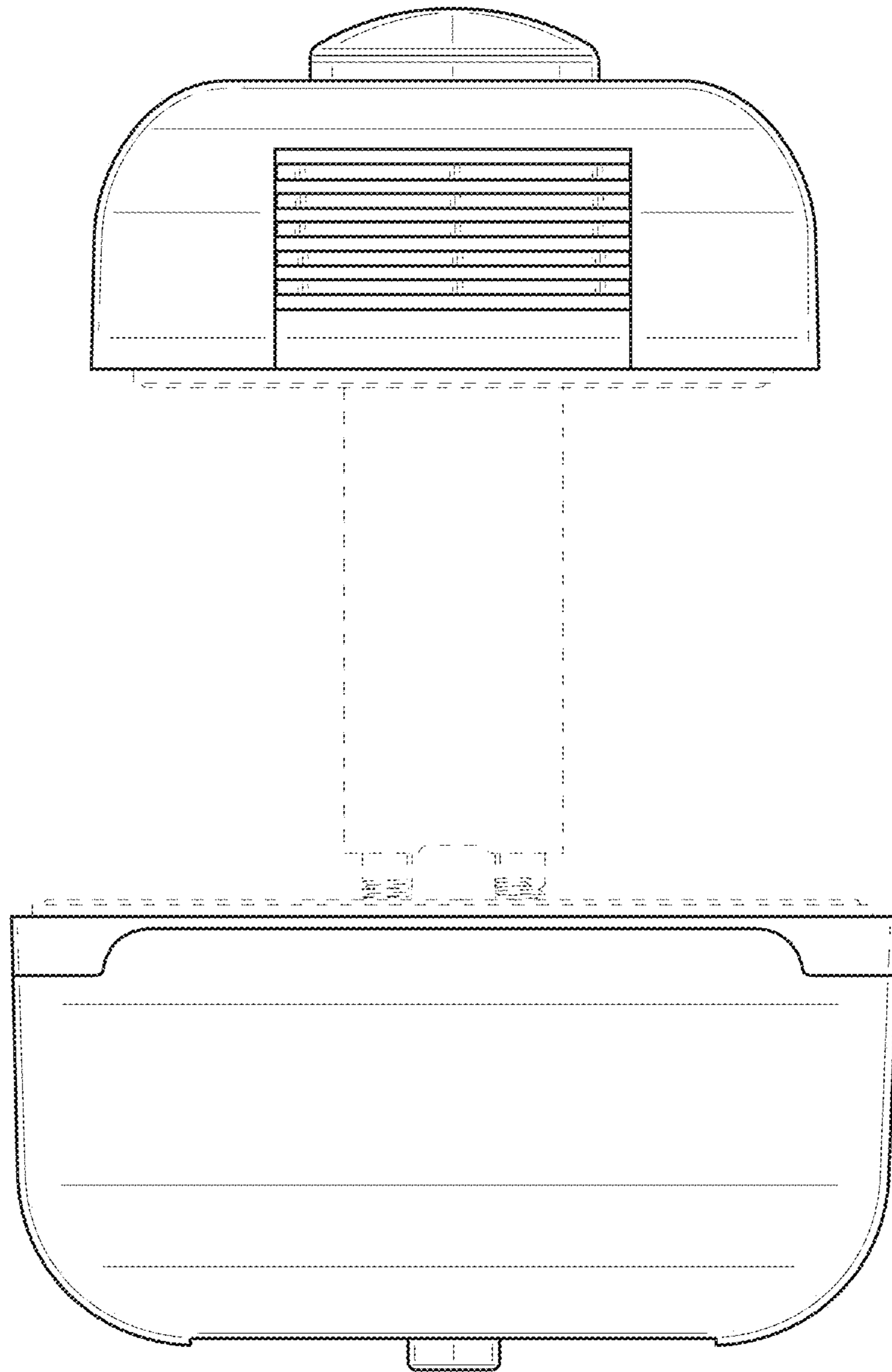


FIG. 18

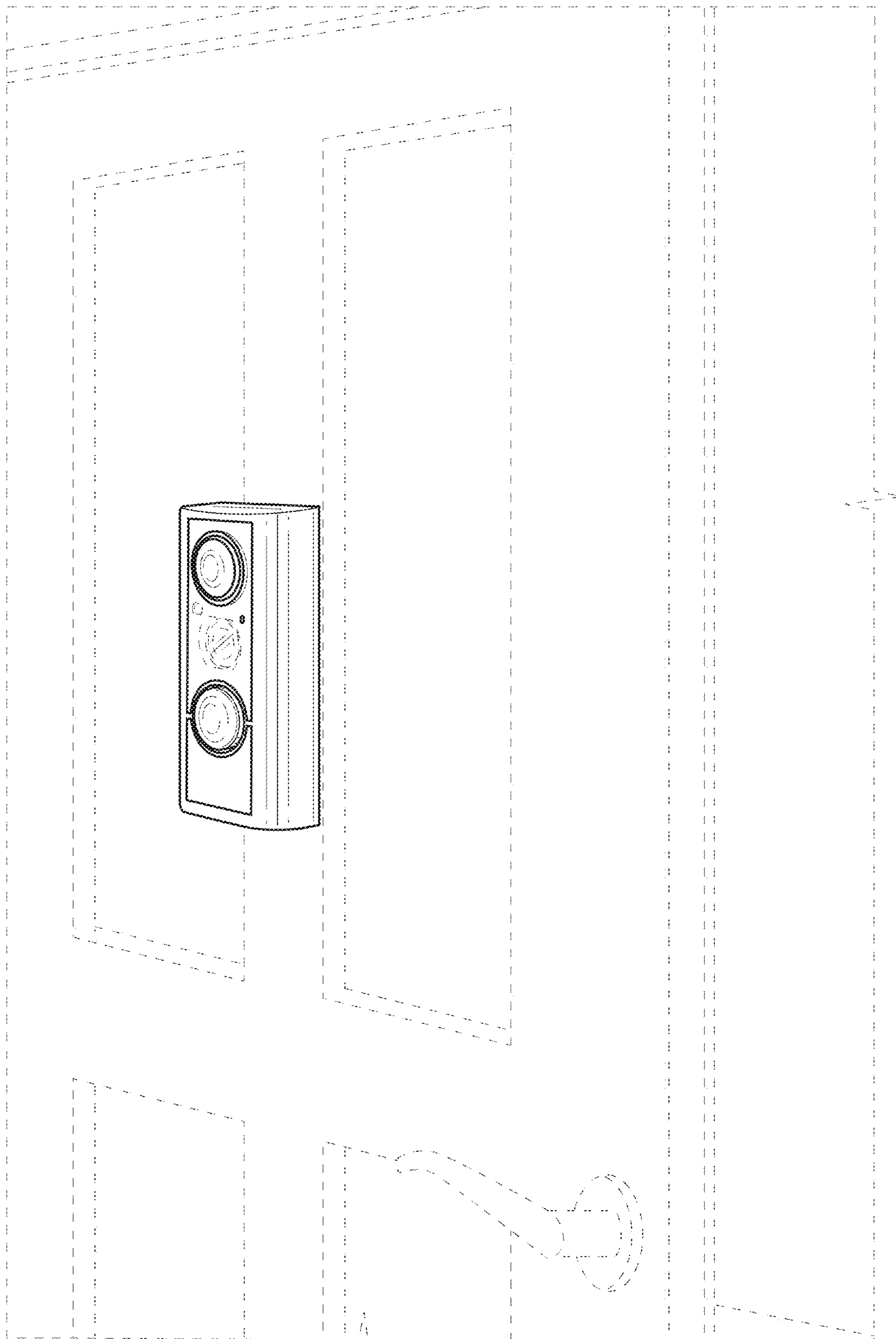


FIG. 19

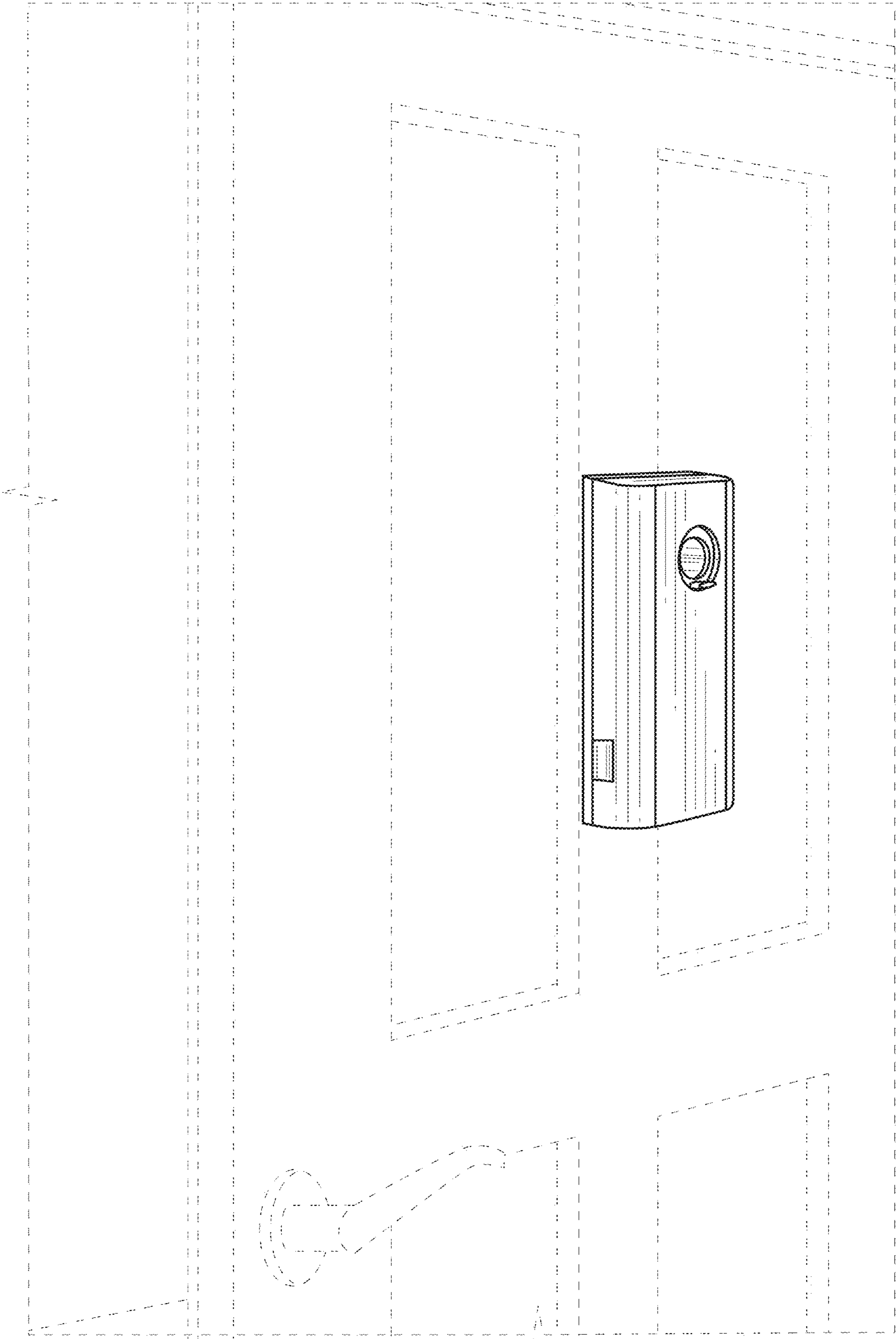


FIG. 20