



US00D889300S

(12) **United States Design Patent** (10) **Patent No.:** **US D889,300 S**
Siminoff et al. (45) **Date of Patent:** **** Jul. 7, 2020**

(54) **AUDIO/VIDEO DOORBELL AND DOOR VIEWER**

8,872,915 B1 10/2014 Scalisi et al.
8,937,659 B1 1/2015 Scalisi et al.
8,941,736 B1 1/2015 Scalisi
8,947,530 B1 2/2015 Scalisi
8,953,040 B1 2/2015 Scalisi et al.

(71) Applicant: **Amazon Technologies, Inc.**, Seattle, WA (US)

(Continued)

(72) Inventors: **Mark Siminoff**, Mountain View, CA (US); **Matthew J. England**, Santa Monica, CA (US); **James Siminoff**, Pacific Palisades, CA (US); **Christopher Loew**, Palo Alto, CA (US)

FOREIGN PATENT DOCUMENTS

CN 304279386 S 9/2017
CN 304897992 S 11/2018

(Continued)

(73) Assignee: **Amazon Technologies, Inc.**, Seattle, WA (US)

OTHER PUBLICATIONS

(**) Term: **15 Years**

Australian Office Action dated Aug. 5, 2019 for Australian Patent Application No. 201913629, a counterpart of U.S. Appl. No. 29/675,488, 2 pages.

(Continued)

(21) Appl. No.: **29/673,311**

(22) Filed: **Dec. 13, 2018**

Primary Examiner — George D. Kirschbaum

(51) **LOC (12) Cl.** **10-05**

(74) *Attorney, Agent, or Firm* — Lee & Hayes, P.C.

(52) **U.S. Cl.**
USPC **D10/118.2**

(57) **CLAIM**

(58) **Field of Classification Search**
USPC D10/118.2; D16/202
CPC G08B 13/19658
See application file for complete search history.

The ornamental design for an audio/video doorbell and door viewer, as shown and described.

DESCRIPTION

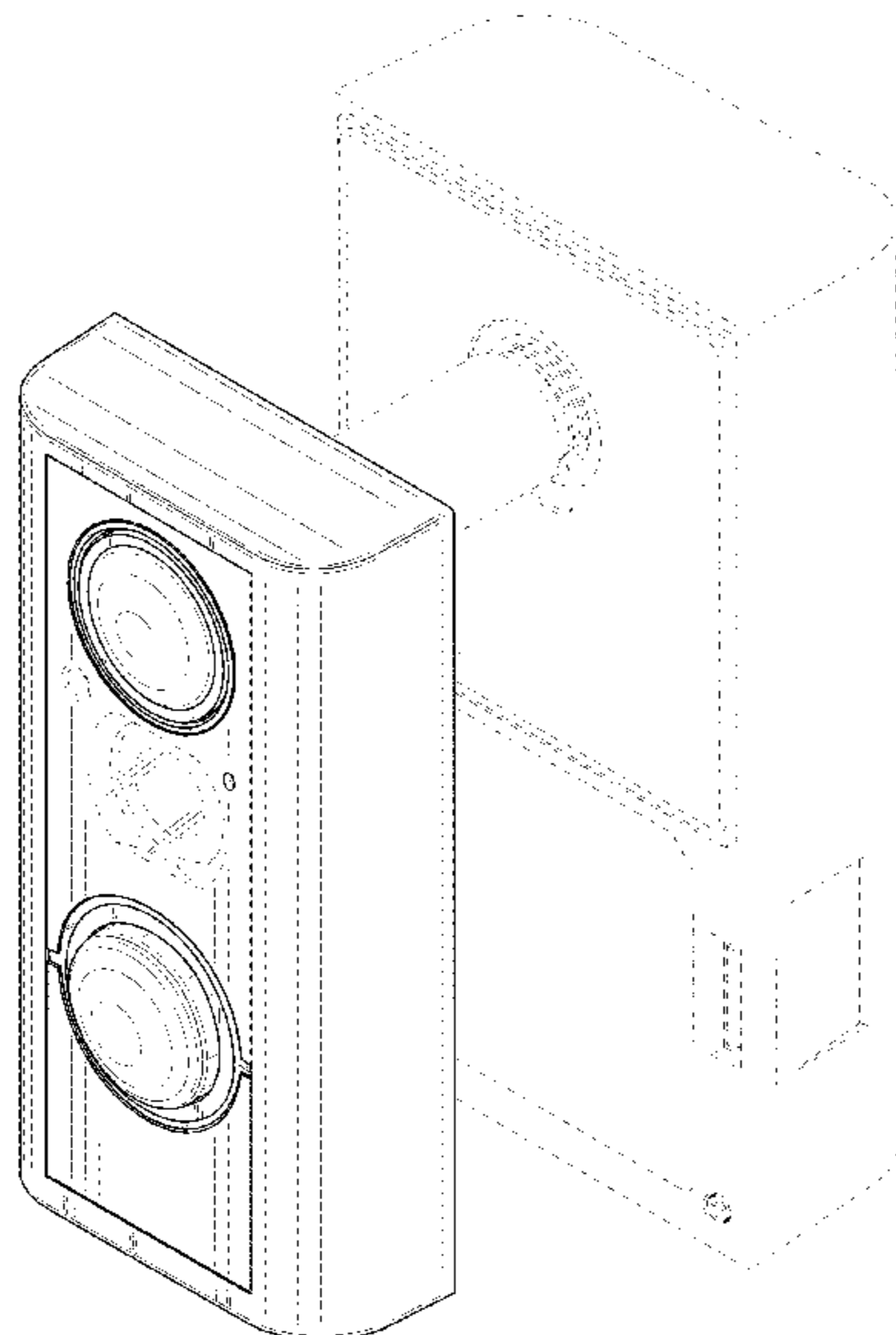
(56) **References Cited**

U.S. PATENT DOCUMENTS

D243,615 S 3/1977 Kaye
7,193,644 B2 3/2007 Carter
D636,424 S * 4/2011 Lin D16/202
8,139,098 B2 3/2012 Carter
8,144,183 B2 3/2012 Carter
8,154,581 B2 4/2012 Carter
8,294,574 B2 * 10/2012 Haywood G08B 13/19658
340/540
D680,063 S 4/2013 Sasada
8,780,201 B1 7/2014 Scalisi et al.
8,823,795 B1 9/2014 Scalisi et al.
8,842,180 B1 9/2014 Kasmir et al.

FIG. 1 is a front top perspective view of an audio/video doorbell and door viewer according to the present design; FIG. 2 is a back, bottom perspective view thereof; FIG. 3 is a front elevation view thereof; FIG. 4 is a back elevation view thereof; FIG. 5 is a left-side elevation view thereof; FIG. 6 is a right-side elevation view thereof; FIG. 7 is a top plan view thereof; and, FIG. 8 is a bottom plan view thereof. The dashed lines depict portions of the audio/video doorbell and door viewer that form no part of the claimed design.

1 Claim, 8 Drawing Sheets



(56)

References Cited

U.S. PATENT DOCUMENTS

9,013,575 B2 4/2015 Scalisi
 9,049,352 B2 6/2015 Scalisi et al.
 9,053,622 B2 6/2015 Scalisi
 9,058,738 B1 6/2015 Scalisi
 9,060,103 B2 6/2015 Scalisi
 9,060,104 B2 6/2015 Scalisi
 9,065,987 B2 6/2015 Kasmir et al.
 9,094,584 B2 7/2015 Scalisi et al.
 9,113,051 B1 8/2015 Scalisi
 9,113,052 B1 8/2015 Scalisi et al.
 9,118,819 B1 8/2015 Scalisi et al.
 9,142,214 B2 9/2015 Scalisi
 9,160,987 B1 10/2015 Kasmir et al.
 9,165,444 B2 10/2015 Scalisi
 9,172,920 B1 10/2015 Kasmir et al.
 9,172,921 B1 10/2015 Scalisi et al.
 9,172,922 B1 10/2015 Kasmir et al.
 D742,312 S 11/2015 Gupta et al.
 9,179,107 B1 11/2015 Scalisi et al.
 9,179,108 B1 11/2015 Scalisi
 9,179,109 B1 11/2015 Kasmir et al.
 9,196,133 B2 11/2015 Scalisi et al.
 9,197,867 B1 11/2015 Scalisi et al.
 9,230,424 B1 1/2016 Scalisi et al.
 9,237,318 B2 1/2016 Kasmir et al.
 9,247,219 B2 1/2016 Kasmir et al.
 9,253,455 B1 2/2016 Harrison et al.
 D754,556 S * 4/2016 Bousquet D10/118.2
 9,342,936 B2 5/2016 Scalisi
 D760,647 S 7/2016 Chen
 D764,404 S 8/2016 Lau et al.
 9,508,239 B1 11/2016 Harrison et al.
 D788,061 S 5/2017 Siminoff
 D789,820 S 6/2017 Siminoff et al.
 D793,268 S * 8/2017 Ye D10/118.2
 9,736,284 B2 8/2017 Scalisi et al.
 9,743,049 B2 8/2017 Scalisi et al.
 9,769,435 B2 9/2017 Scalisi et al.
 9,786,133 B2 10/2017 Harrison et al.
 9,799,183 B2 10/2017 Harrison et al.
 D812,556 S 3/2018 Xu
 D816,606 S 5/2018 Georgiades
 D819,476 S 6/2018 Siminoff et al.
 D820,137 S 6/2018 Siminoff et al.
 D820,706 S 6/2018 Siminoff et al.
 D820,707 S 6/2018 Siminoff et al.
 D820,708 S 6/2018 Siminoff et al.
 D822,518 S 7/2018 Siminoff et al.
 D822,519 S 7/2018 Siminoff et al.
 D822,520 S 7/2018 Siminoff et al.
 D823,239 S 7/2018 Gupta et al.
 D825,456 S 8/2018 Daravong
 D829,585 S 10/2018 Siminoff et al.
 D830,871 S 10/2018 Siminoff et al.
 D833,313 S 11/2018 Siminoff et al.
 D837,080 S 1/2019 Siminoff et al.
 D838,669 S 1/2019 Miller et al.
 D840,857 S * 2/2019 Scalisi D10/118.2
 D840,858 S * 2/2019 Siminoff D10/118.2
 D842,244 S 3/2019 Li
 D844,560 S 4/2019 Miller et al.
 D848,299 S * 5/2019 Li D10/118.2
 D849,082 S * 5/2019 Boling D16/202
 D853,265 S * 7/2019 Grearson D10/118.2
 D853,320 S 7/2019 Guo
 D853,322 S 7/2019 Xu
 D858,338 S * 9/2019 Yu D10/118.2
 D858,434 S 9/2019 Park et al.
 D860,029 S * 9/2019 Yang D10/118.2
 D860,129 S 9/2019 Price
 D860,936 S 9/2019 Jia
 D861,592 S 10/2019 Venugopal et al.
 D861,595 S 10/2019 He
 D862,384 S 10/2019 Jen
 D864,861 S 10/2019 Roberts

D866,379 S * 11/2019 Siminoff D10/118.2
 D866,380 S * 11/2019 Siminoff D10/118.2
 D867,280 S 11/2019 Chen
 D874,963 S * 2/2020 Siminoff D10/118.2
 D875,809 S * 2/2020 Huang D16/203
 2003/0095185 A1 5/2003 Naifeh
 2006/0213682 A1 9/2006 Moon et al.
 2007/0103548 A1 5/2007 Carter
 2018/0234668 A1 8/2018 Bauswell
 2019/0364244 A1 11/2019 Siminoff et al.

FOREIGN PATENT DOCUMENTS

CN 304933710 S 12/2018
 EM 005795788-0001 L 1/2019
 EP 2385703 11/2011
 JP 1651500 1/2020
 JP 1651502 1/2020
 TW 265988 A 12/1995
 TW D170846 A 10/2015
 WO WO2007081894 7/2007

OTHER PUBLICATIONS

Chinese Office Action dated Oct. 11, 2019, for Chinese Patent Application No. 201930332256.6, a counterpart foreign application of the U.S. Appl. No. 29/675,488, 1 page.
 Chinese Office Action dated Sep. 29, 2019, for Chinese Patent Application No. 201930259756.1, a counterpart foreign application of the U.S. Appl. No. 29/673,311, 1 page.
 Chinese Office Action dated Septmebr 30, 2019 for Chinese Design Application No. 201930233393.4, a counterpart foreing application of the U.S. Appl. No. 29/670,249.
 Japanese Office Action dated Aug. 30, 2019, for Japanese Patent Application No. 2019-012138, a counterpart foreign application of the U.S. Appl. No. 29/673,311, 3 pages.
 Japanese Office Action dated Aug. 30, 2019, for Japanese Patent Application No. 2019-012139, a counterpart foreign application of the U.S. Appl. No. 29/673,311, 3 pages.
 Japanese Office Action dated Aug. 30, 2019, for Japanese Patent Application No. 2019-012141, a counterpart foreign application of the U.S. Appl. No. 29/673,311, 3 pages.
 Japanese Office Action dated Aug. 30, 2019, for Japanese Patent Application No. 2019-012140, a counterpart foreign application of the U.S. Appl. No. 29/673,311, 3 pages.
 Japanese Office Action dated Sep. 6, 2019, for Japanese Patent Application No. 2019-010347, a counterpart foreign application of the U.S. Appl. No. 29/670,259, 3 pages.
 Japanese Office Action dated Aug. 30, 2019, for Japanese Patent Application No. 2019-012142, a counterpart foreign application of the U.S. Appl. No. 29/673,311, 3 pages.
 Japanese Office Action dated Sep. 6, 2019, for Japanese Patent Application No. 2019-010348 a counterpart foreign application of the U.S. Appl. No. 29/670,259, 3 pages.
 Non Final Office Action dated Nov. 4, 2019 for U.S. Appl. No. 16/218,920 "Audio/Video Device With Viewer" Siminoff, 8 pages.
 PCT Search Report and Written Opinion dated Aug. 5, 2019, for the PCT Application No. PCT/US2019/027674, 12 pages.
 EdimaxTV; "Installation of Edimax IC-6220DC Wireless Peephole Camera", retrieved on Jun. 22, 2018 at <<https://www.youtube.com/watch?reload=9&v=6qGH1XzA_7o>>, YouTube, Video, 3 minutes, 2 pages.
 Chinese Office Action dated Jan. 14, 2020, for Chinese Design Application No. 201930465085.4, a counterpart foreign application of the U.S. Appl. No. 29/681,330, 1 pages.
 Japanese Office Action dated Jan. 31, 2020 for Japanese Patent Application No. 2019-014703, a counterpart of U.S. Appl. No. 29/675,488, 3 pages.
 Japanese Office Action dated Jan. 31, 2020 for Japanese Patent Application No. 2019-014704, a counterpart of U.S. Appl. No. 29/675,488, 3 pages.

(56)

References Cited

OTHER PUBLICATIONS

Japanese Office Action dated Jan. 31, 2020 for Japanese Patent Application No. 2019-014705, a counterpart of U.S. Appl. No. 29/675,488, 3 pages.

Japanese Office Action dated Jan. 31, 2020 for Japanese Patent Application No. 2019-014706, a counterpart of U.S. Appl. No. 29/675,488, 3 pages.

Office Action for U.S. Appl. No. 16/218,920, dated Feb. 5, 2020, Siminoff, "Audio/Video Device With Viewer", 10 Pages.

Translated Taiwanese Office Action dated Dec. 12, 2019 for Taiwanese Patent Application No. 108302982, a counterpart of U.S. Appl. No. 29/673,311, 2 pages.

Translated Taiwanese Office Action dated Dec. 13, 2019 for Taiwanese Patent Application No. 108302983, a counterpart of U.S. Appl. No. 29/673,311, 2 pages.

Translated Taiwanese Office Action dated Dec. 13, 2019 for Taiwanese Patent Application No. 10821187230, a counterpart of U.S. Appl. No. 29/673,311, 2 pages.

Taiwanese Office Action dated Nov. 15, 2019 for Taiwanese Patent Application No. 108302722, a counterpart of U.S. Appl. No. 29/670,249, 4 pages.

Taiwanese Office Action Nov. 15, 2019 for Taiwanese Patent Application No. 108302720, a counterpart of U.S. Appl. No. 29/670,249, 4 pages.

Taiwanese Office Action dated Nov. 15, 2019 for Taiwanese Patent Application No. 108302721, a counterpart of U.S. Appl. No. 29/670,249, 4 pages.

Taiwanese Office Action dated Nov. 15, 2019 for Taiwanese Patent Application No. 108302725, a counterpart of U.S. Appl. No. 29/670,259, 4 pages.

Taiwanese Office Action dated Nov. 15, 2019 for Taiwanese Patent Application No. 108302724, a counterpart of U.S. Appl. No. 29/670,259, 4 pages.

Taiwanese Office Action dated Nov. 15, 2019 for Taiwanese Patent Application No. 108302726, a counterpart of U.S. Appl. No. 29/670,259, 4 pages.

Taiwanese Office Action dated Dec. 12, 2019 for Taiwanese Patent Application No. 108302982, a counterpart of U.S. Appl. No. 29/673,311, 6 pages.

Taiwanese Office Action dated Dec. 13, 2019 for Taiwanese Patent Application No. 108302983, a counterpart of U.S. Appl. No. 29/673,311, 3 pages.

Japanese Office Action dated Mar. 13, 2020 for Japanese Patent Application No. 2019-018653, a counterpart of U.S. Appl. No. 29/681,330, 3 pages.

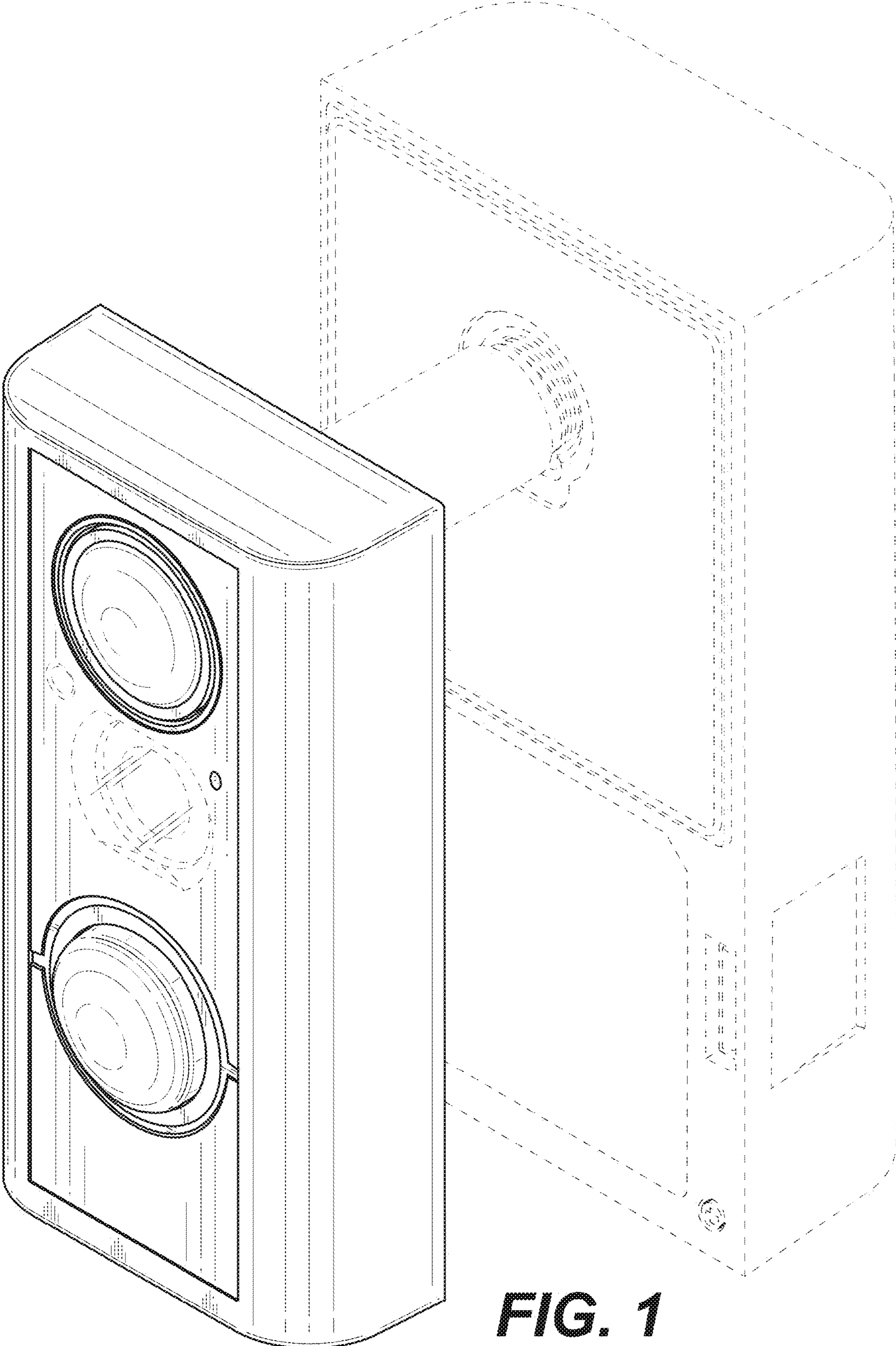
Japanese Office Action dated Mar. 13, 2020 for Japanese Patent Application No. 2019-018654, a counterpart of U.S. Appl. No. 29/681,330, 3 pages.

Japanese Office Action dated Mar. 13, 2020 for Japanese Patent Application No. 2019-018655, a counterpart of U.S. Appl. No. 29/681,330, 3 pages.

Office Action for U.S. Appl. No. 29/681,330, dated Apr. 13, 2020, Siminoff, "Audio/Video Doorbell and Door Viewer", 5 Pages.

Taiwanese Office Action dated Dec. 13, 2019 for Taiwanese Patent Application No. 10821187230, a counterpart of U.S. Appl. No. 29/673,311, 3 pages.

* cited by examiner



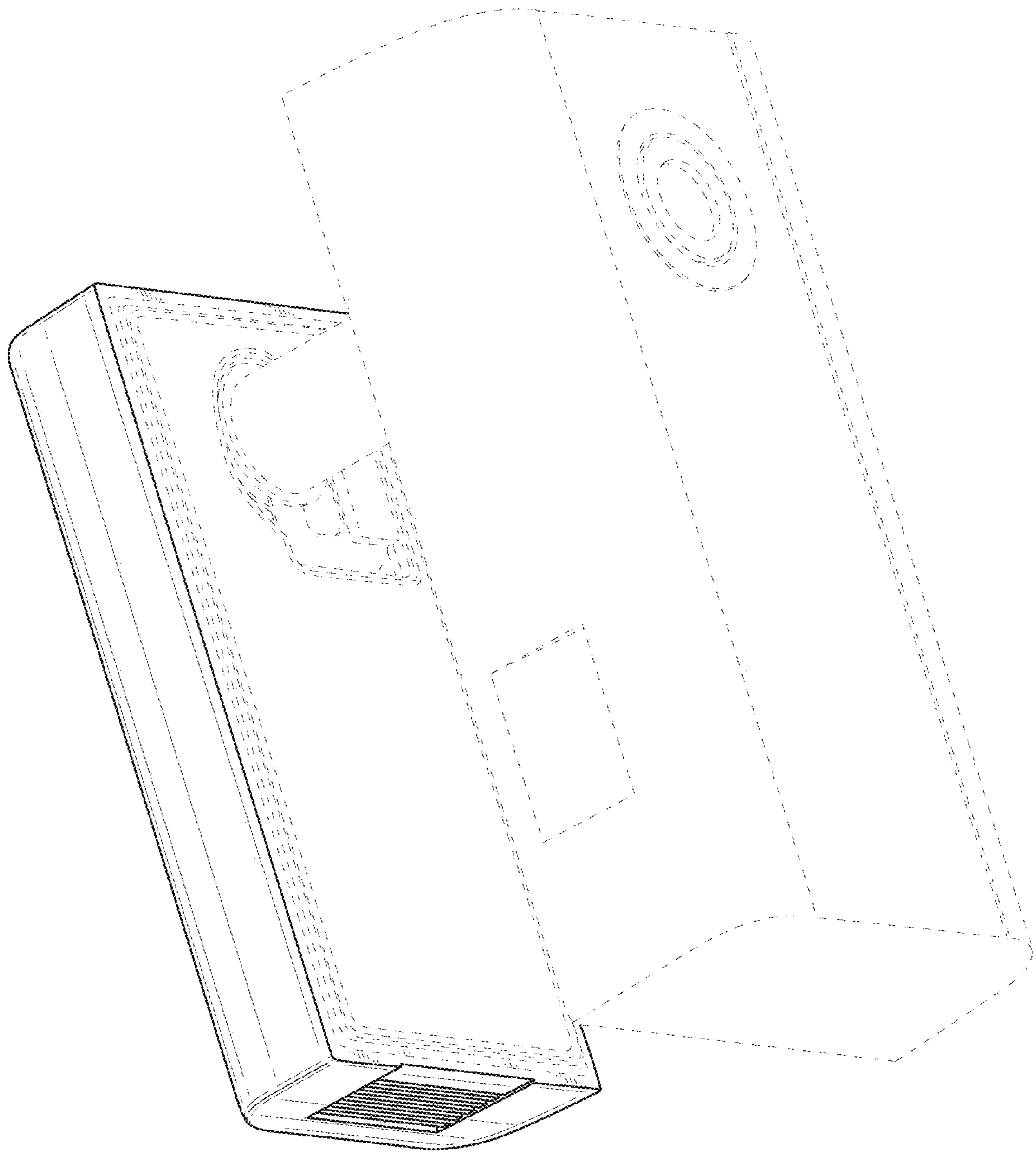


FIG. 2

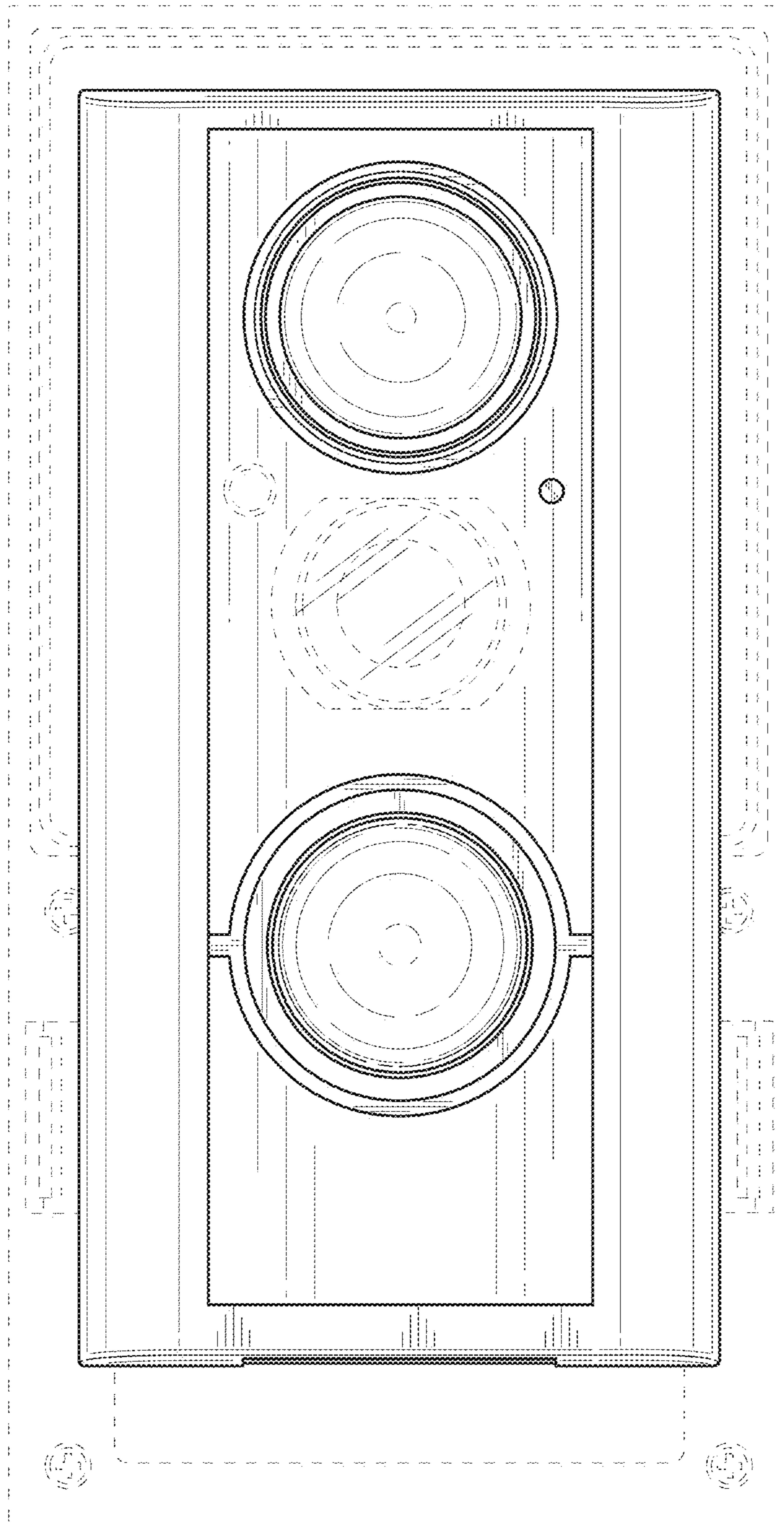


FIG. 3

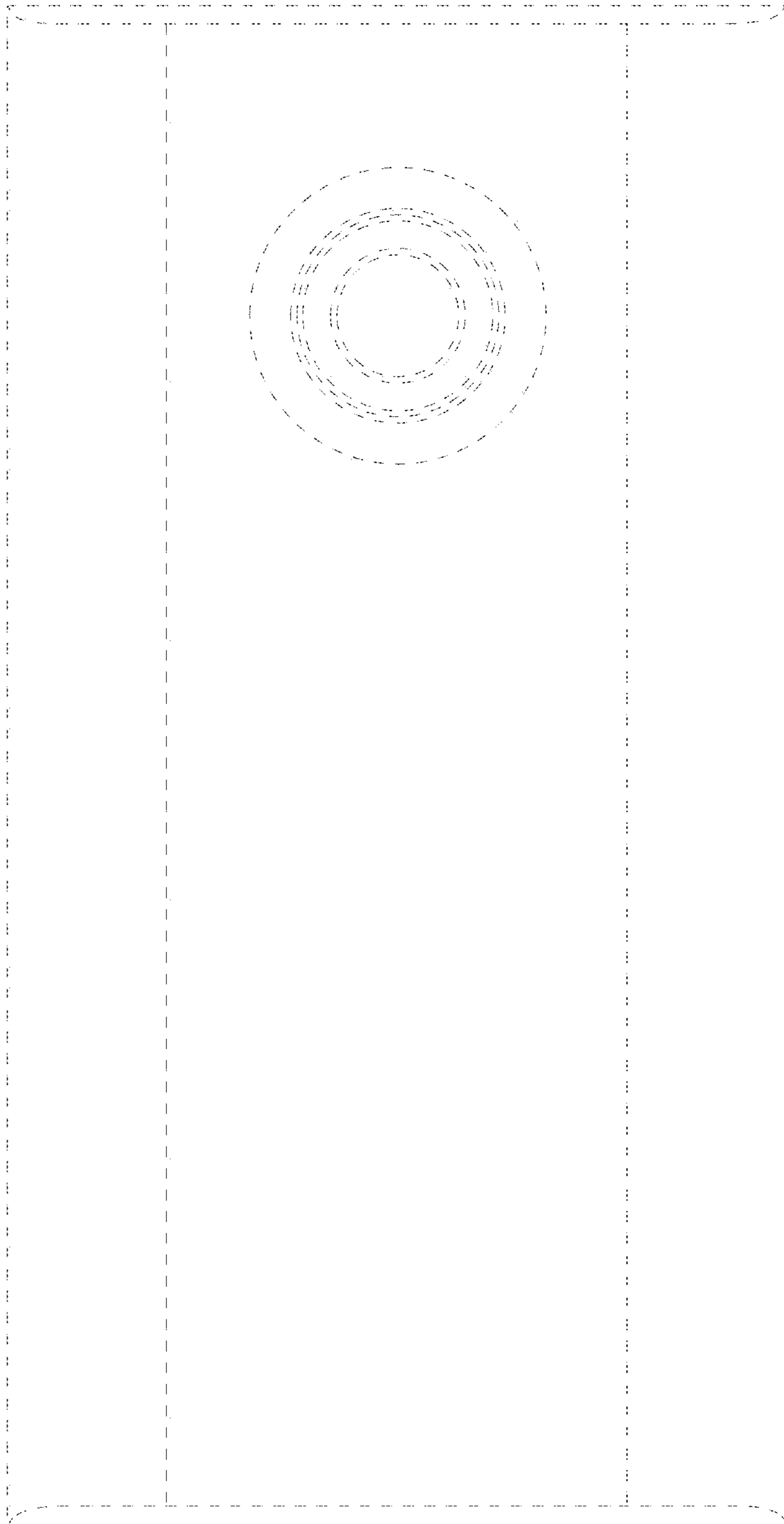


FIG. 4

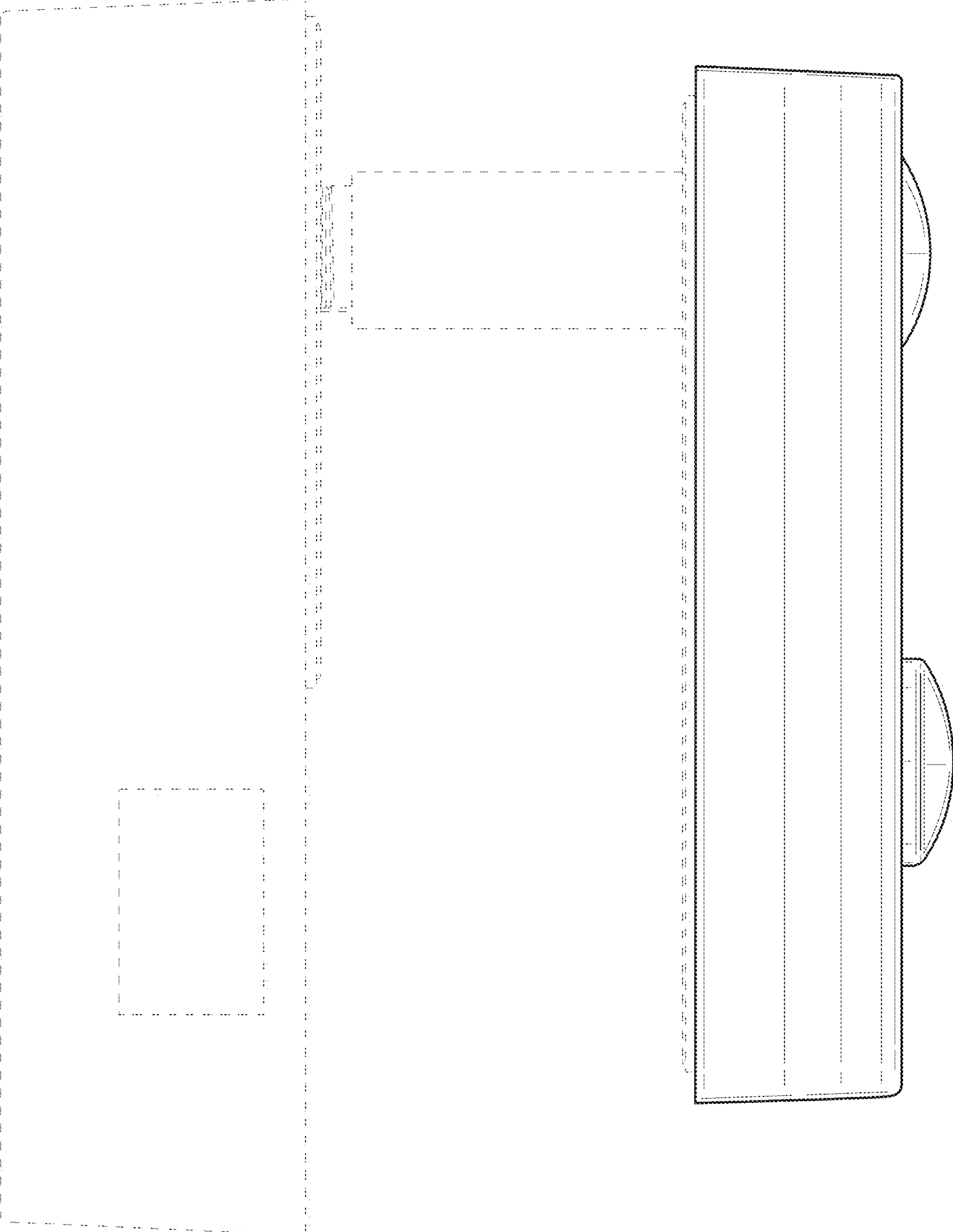


FIG. 5

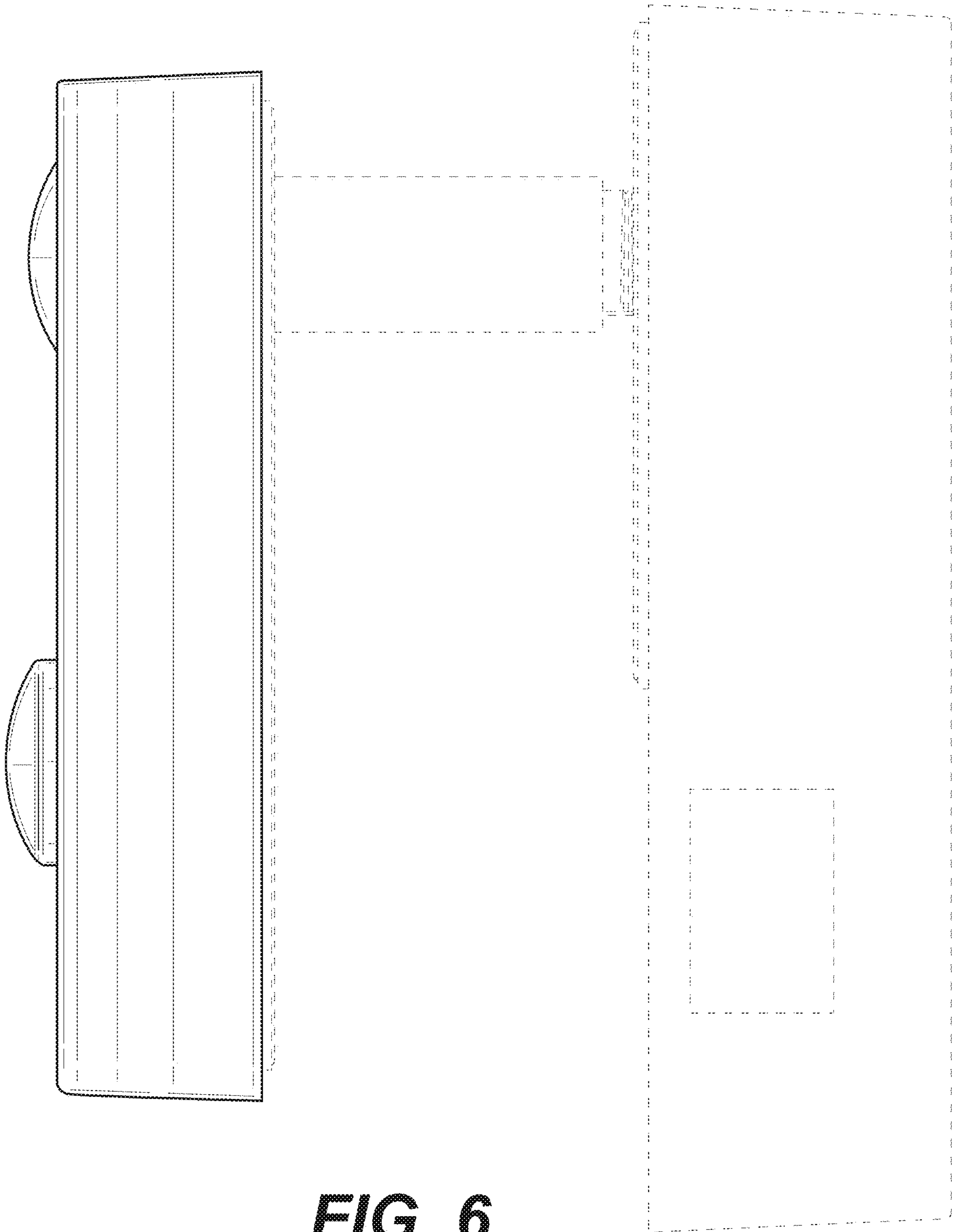


FIG. 6

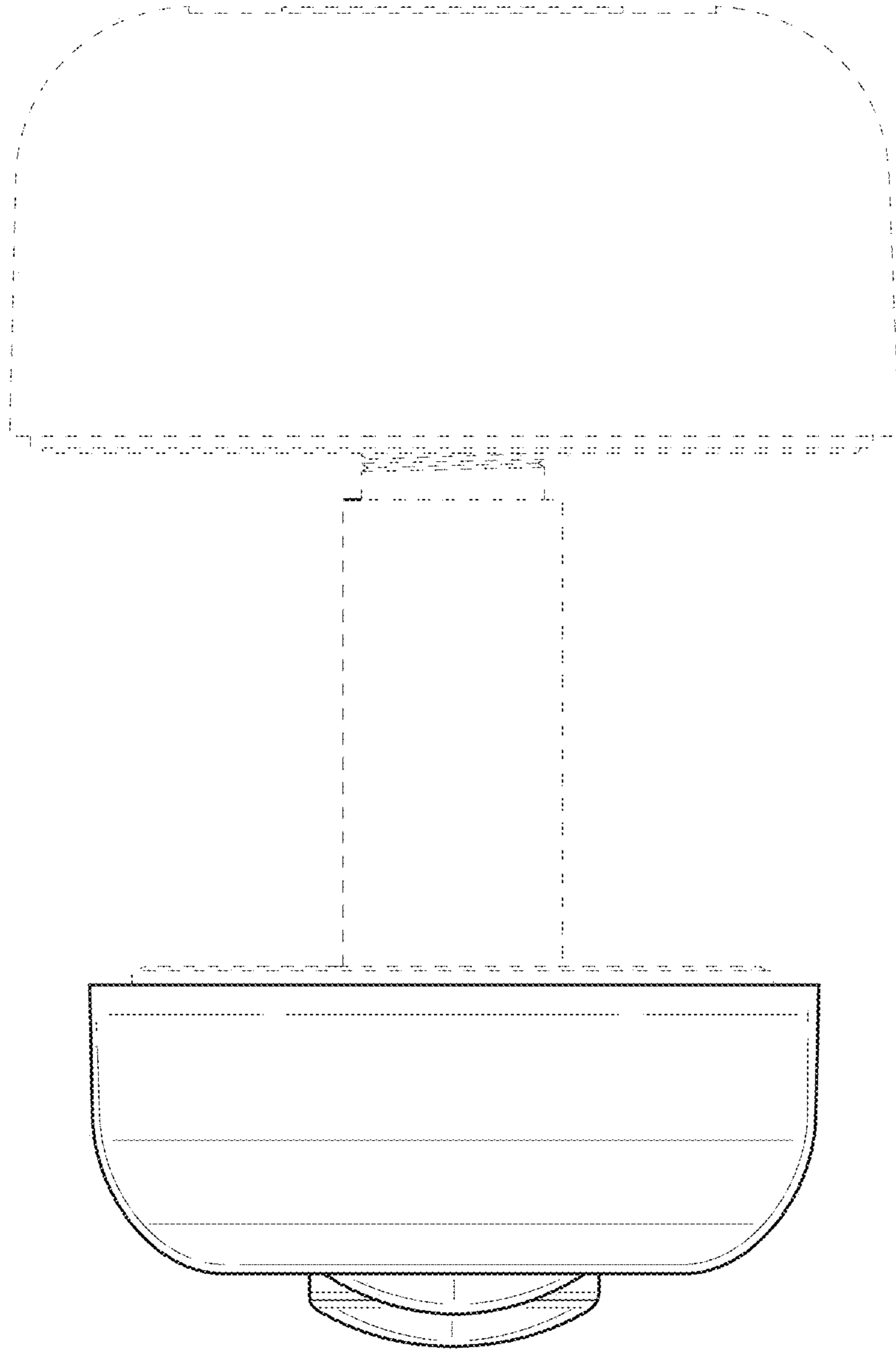


FIG. 7

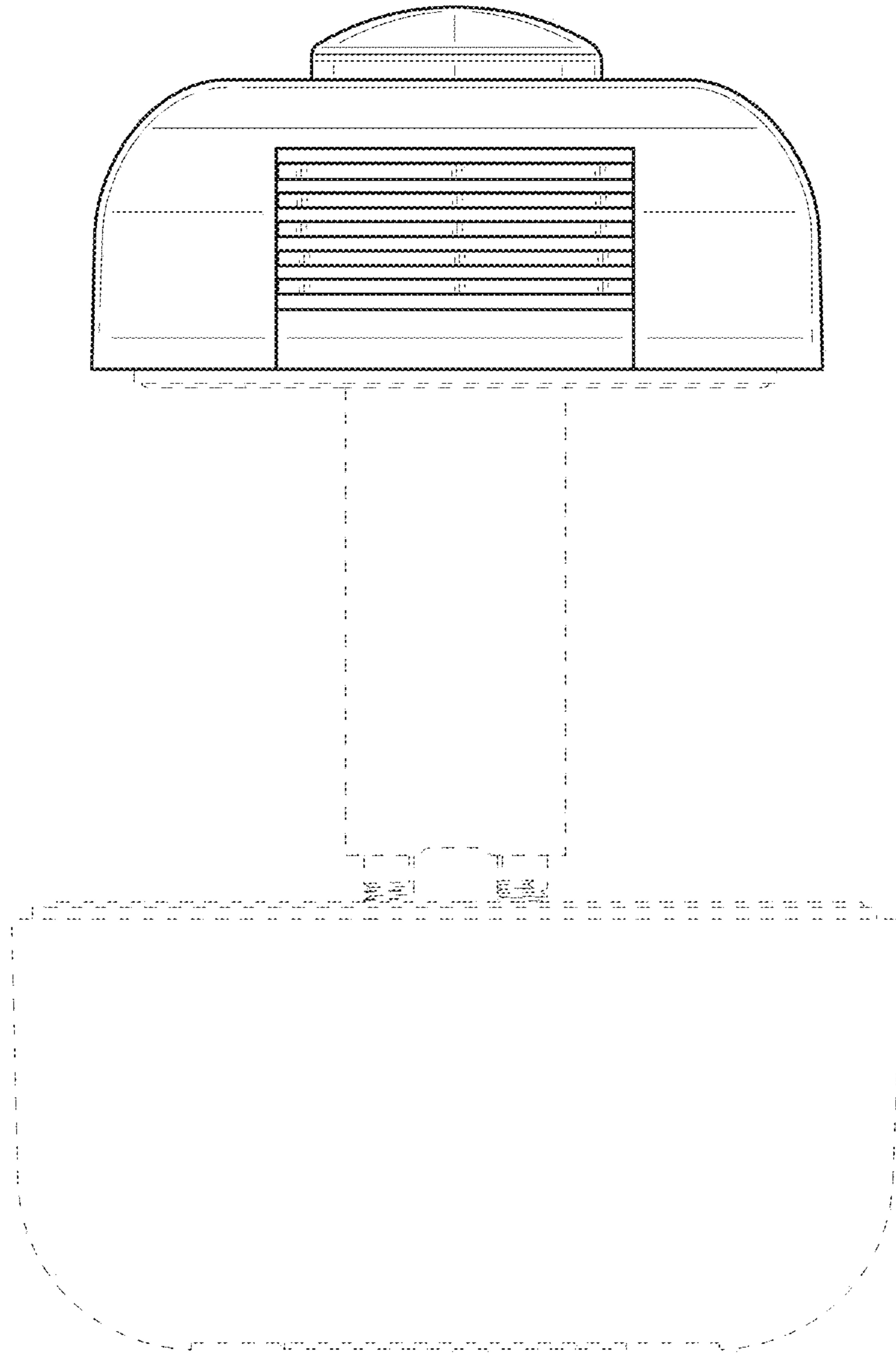


FIG. 8