



US00D889299S

(12) **United States Design Patent**
Slone et al.

(10) **Patent No.:** **US D889,299 S**

(45) **Date of Patent:** **** Jul. 7, 2020**

(54) **BELL**

D514,760 S * 2/2006 Schoolcraft D32/35
D567,693 S * 4/2008 Ichimura D10/116.1
D878,948 S * 3/2020 Ke D10/118

(71) Applicant: **Slone Studio Inc.**, Sausalito, CA (US)

(72) Inventors: **Clinton N. Slone**, San Francisco, CA (US); **Nicholaus M. Slone**, Bend, OR (US); **Adam R. L. Reineck**, Mill Valley, CA (US)

(73) Assignee: **Slone Studio Inc.**, Sausalito, CA (US)

(**) Term: **15 Years**

(21) Appl. No.: **29/686,919**

(22) Filed: **Apr. 9, 2019**

(51) **LOC (12) Cl.** **10-05**

(52) **U.S. Cl.**
USPC **D10/118**

(58) **Field of Classification Search**
USPC D10/116.1, 118, 118.2, 121-124, 126
CPC ... G08B 3/00; G08B 3/10; G08B 7/00; G08B
7/06

See application file for complete search history.

(56) **References Cited**

U.S. PATENT DOCUMENTS

702,160 A * 6/1902 Seabrook B62J 3/00
116/166
D197,382 S * 1/1964 Huntley D8/383
D306,689 S * 3/1990 Hamann B62J 3/00
D6/535
D360,159 S * 7/1995 Moore D10/116.1

OTHER PUBLICATIONS

Spurcycle, Spurcycle Compact Bell, [retrieved on May 14, 2020]. Retrieved from the internet: <URL:https://www.spurcycle.com/products/spurcycle-m2-compact-bell> (Year: 2020).*
Spurcycle, "Spurcycle Bell", https://www.spurcycle.com/products/better-bicycle-bell, excerpt from Spurcycle website showing bell that was available prior to the filing of the present application.

* cited by examiner

Primary Examiner — George D. Kirschbaum

Assistant Examiner — Joseph J Kukella

(74) *Attorney, Agent, or Firm* — Beyer Law Group LLP

(57) **CLAIM**

We claim the ornamental design for a bell, substantially as shown and described.

DESCRIPTION

FIG. 1 is a perspective view of a bell in accordance with the present design.

FIG. 2 is a front view thereof.

FIG. 3 is a back view thereof.

FIG. 4 is a left side view thereof.

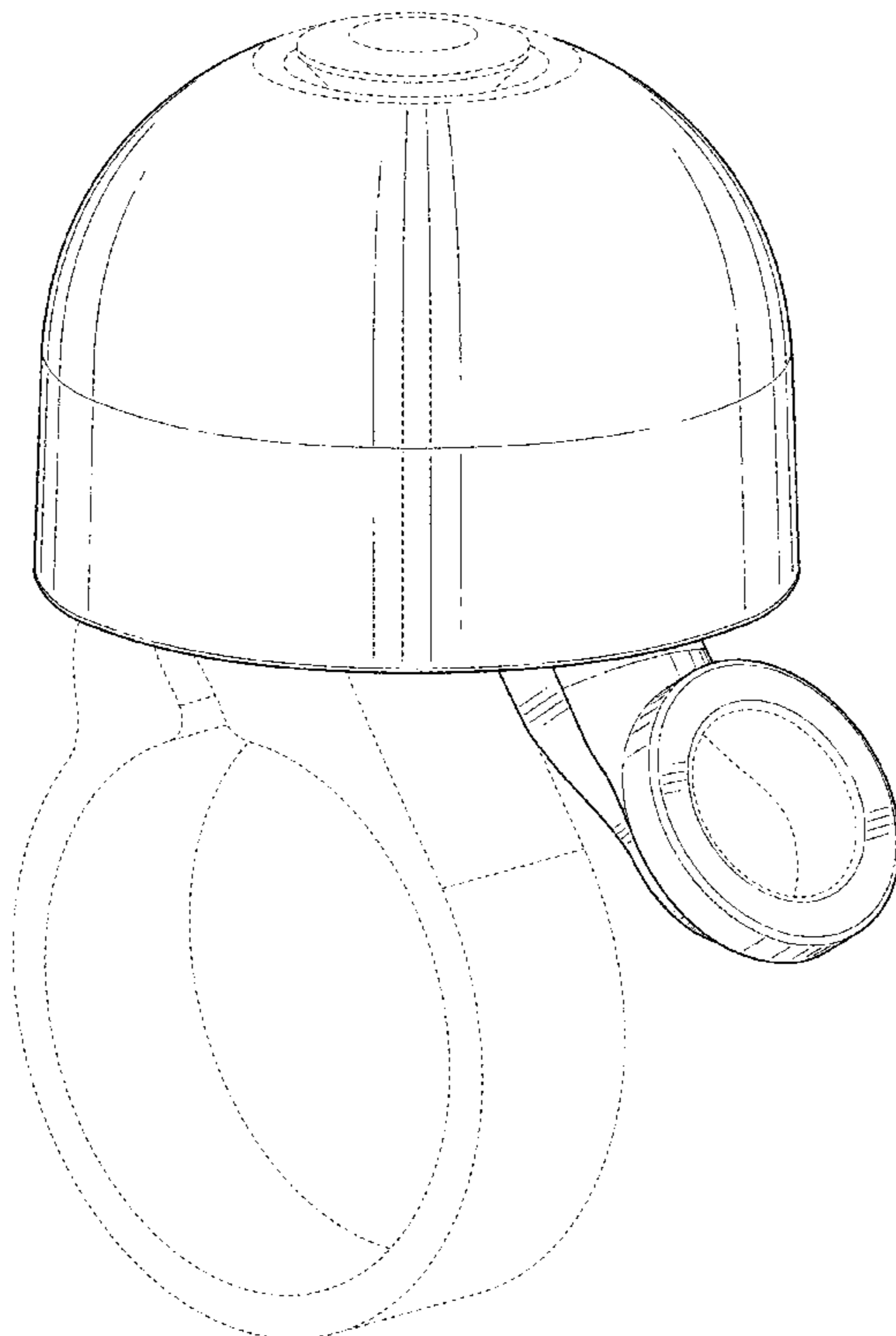
FIG. 5 is a right side view thereof.

FIG. 6 is a top view thereof; and,

FIG. 7 is a bottom view thereof.

The broken lines immediately adjacent the claimed subject matter represent the bounds of the claimed design. All other broken lines depict environmental subject matter only and form no part of the claimed design.

1 Claim, 7 Drawing Sheets



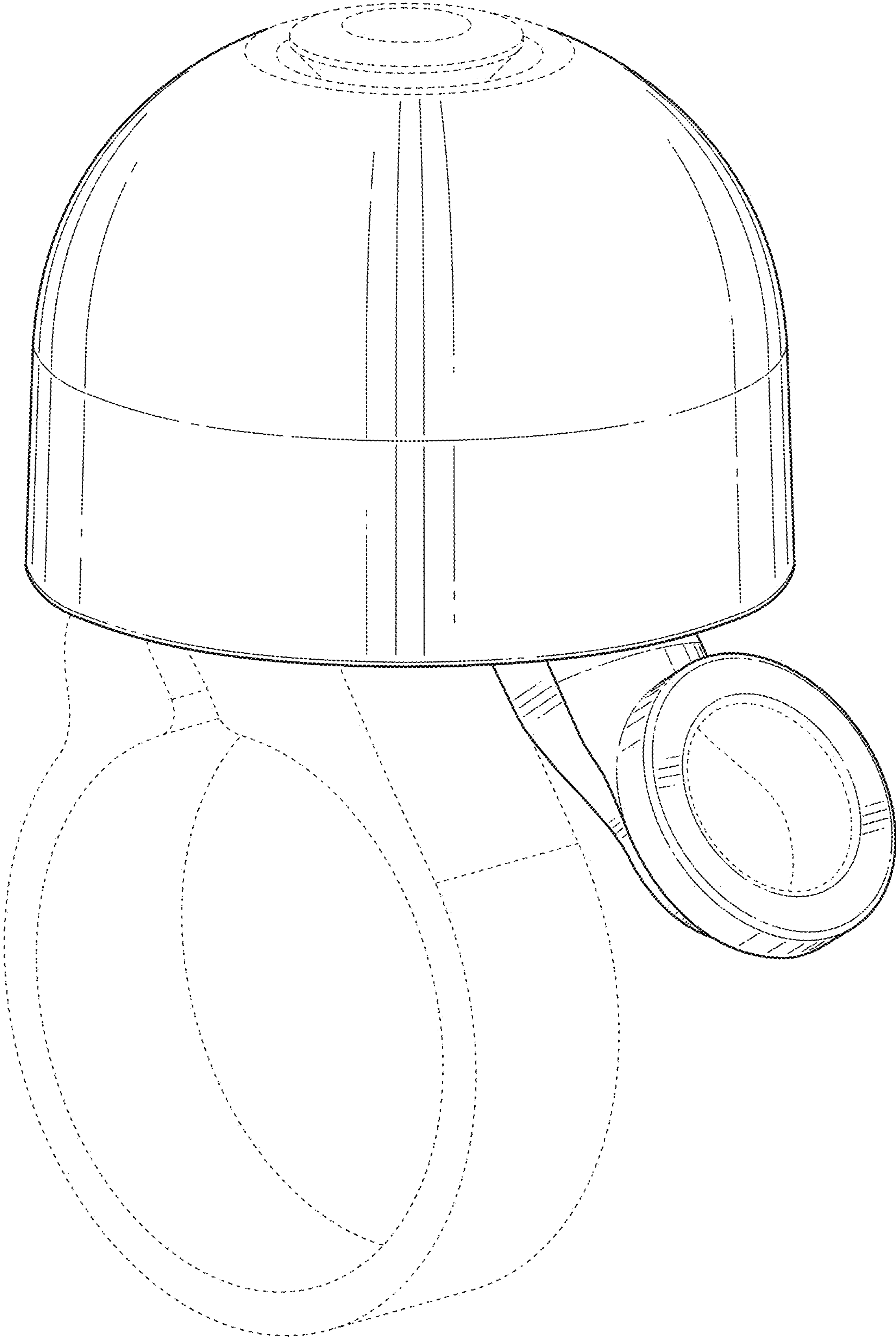


FIG. 1

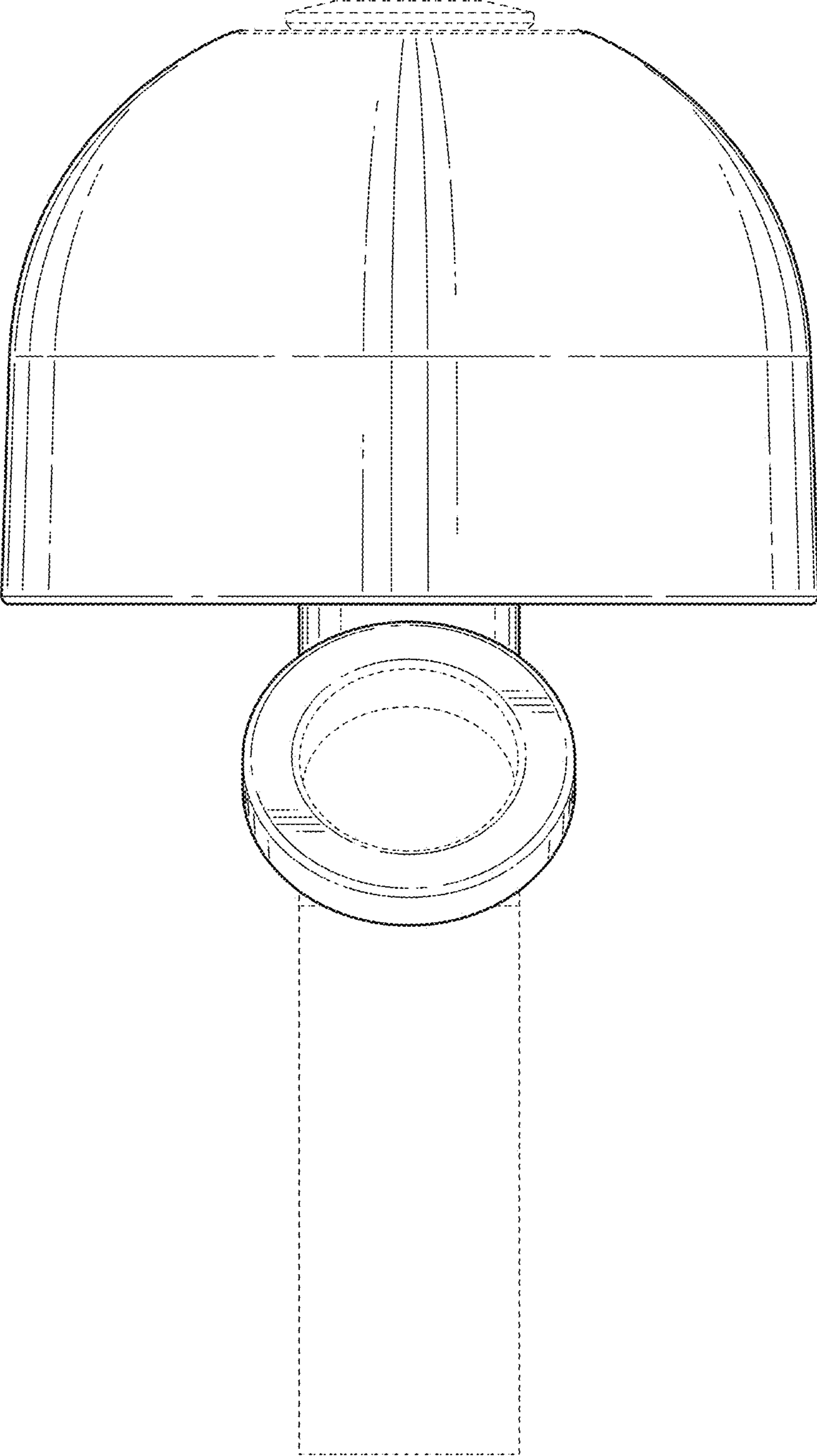


FIG. 2

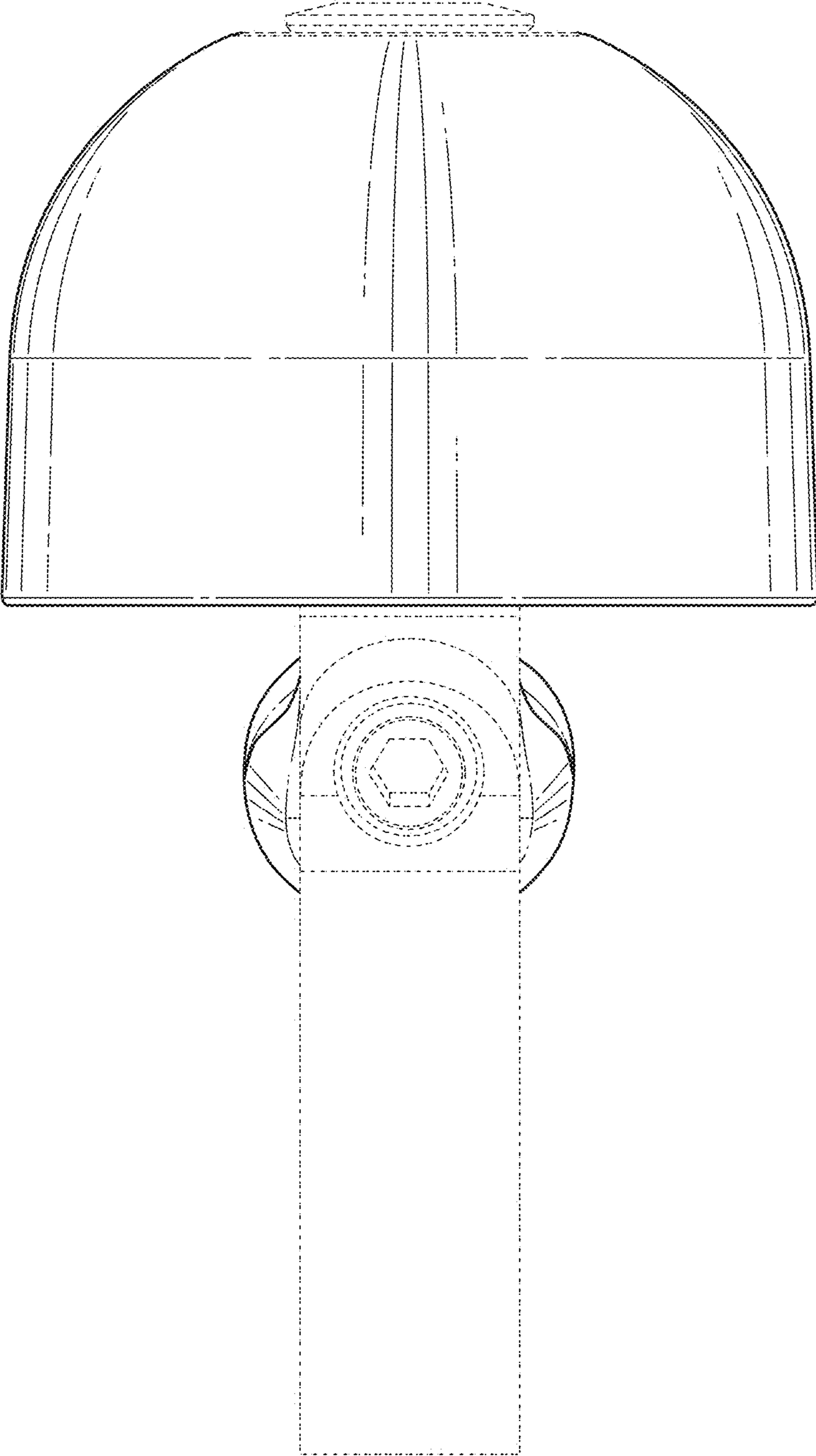


FIG. 3

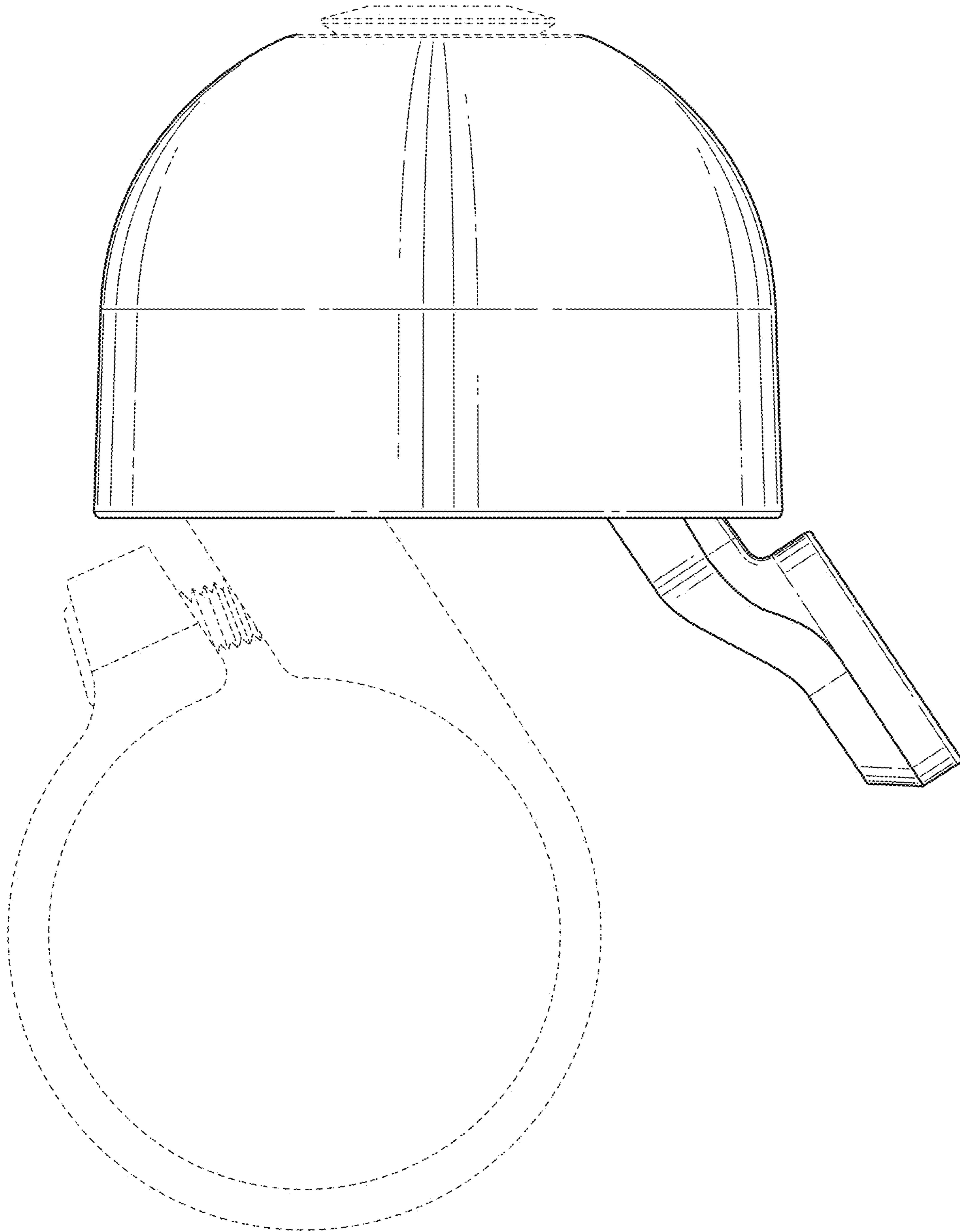


FIG. 4

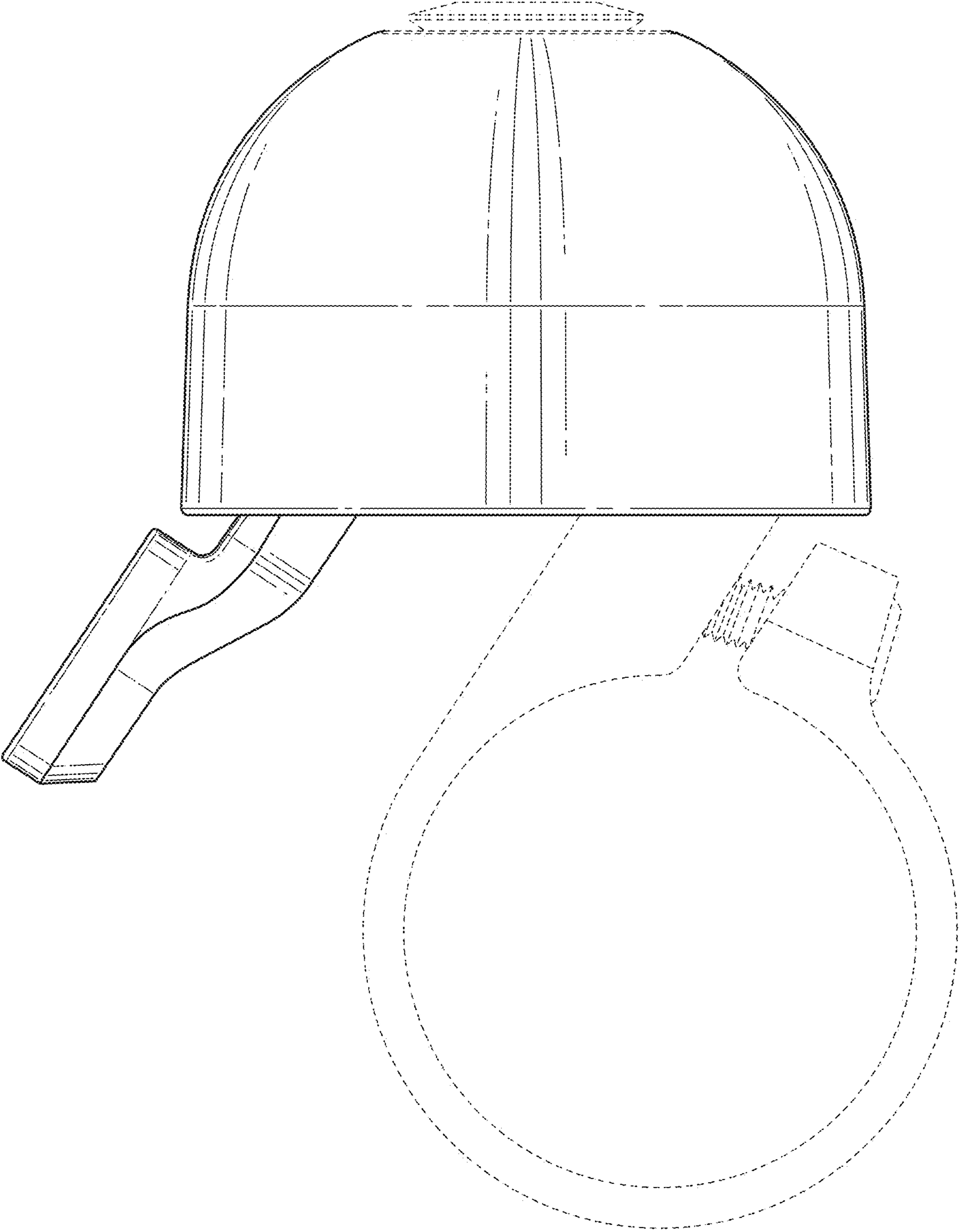


FIG. 5

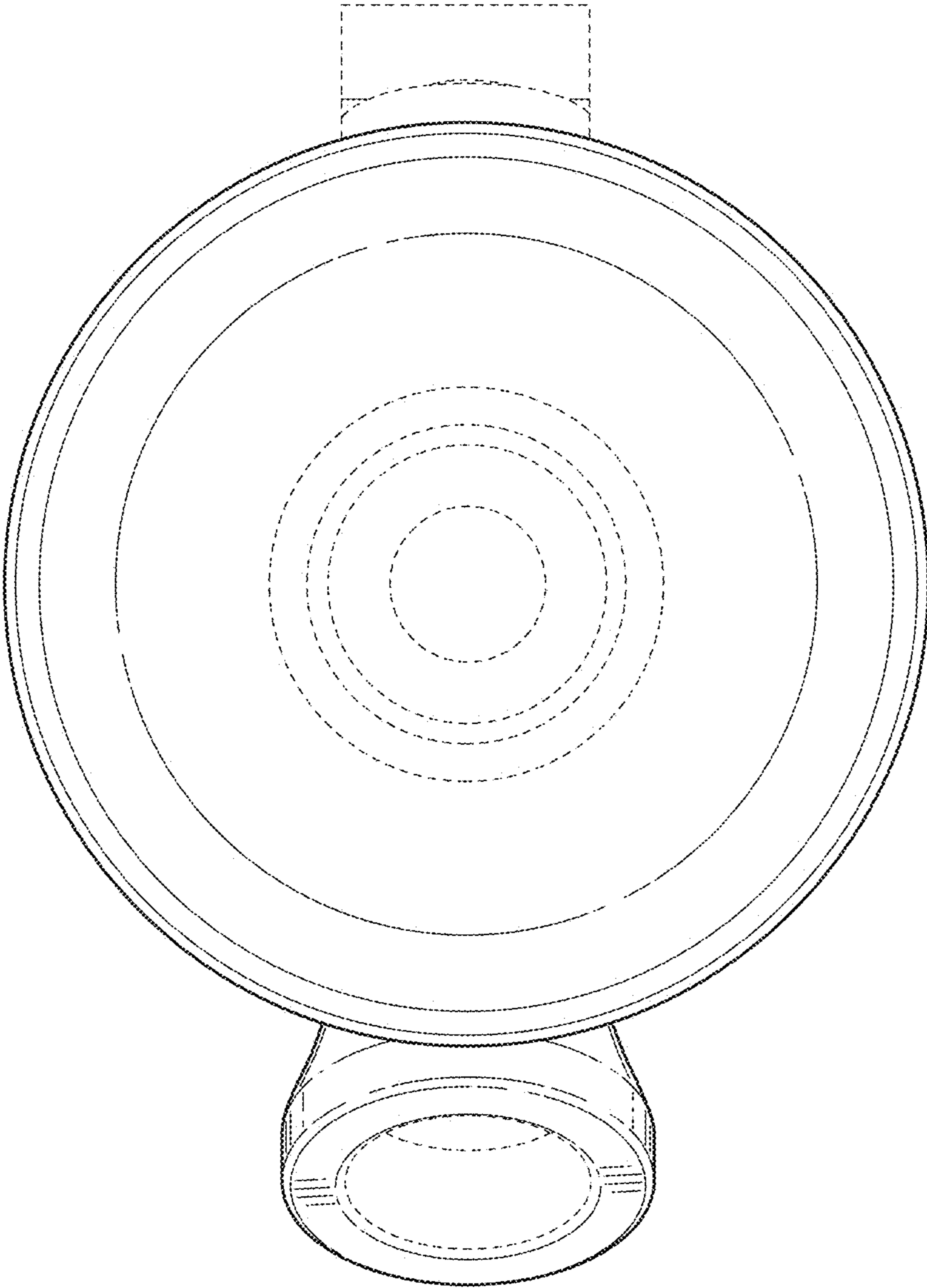


FIG. 6

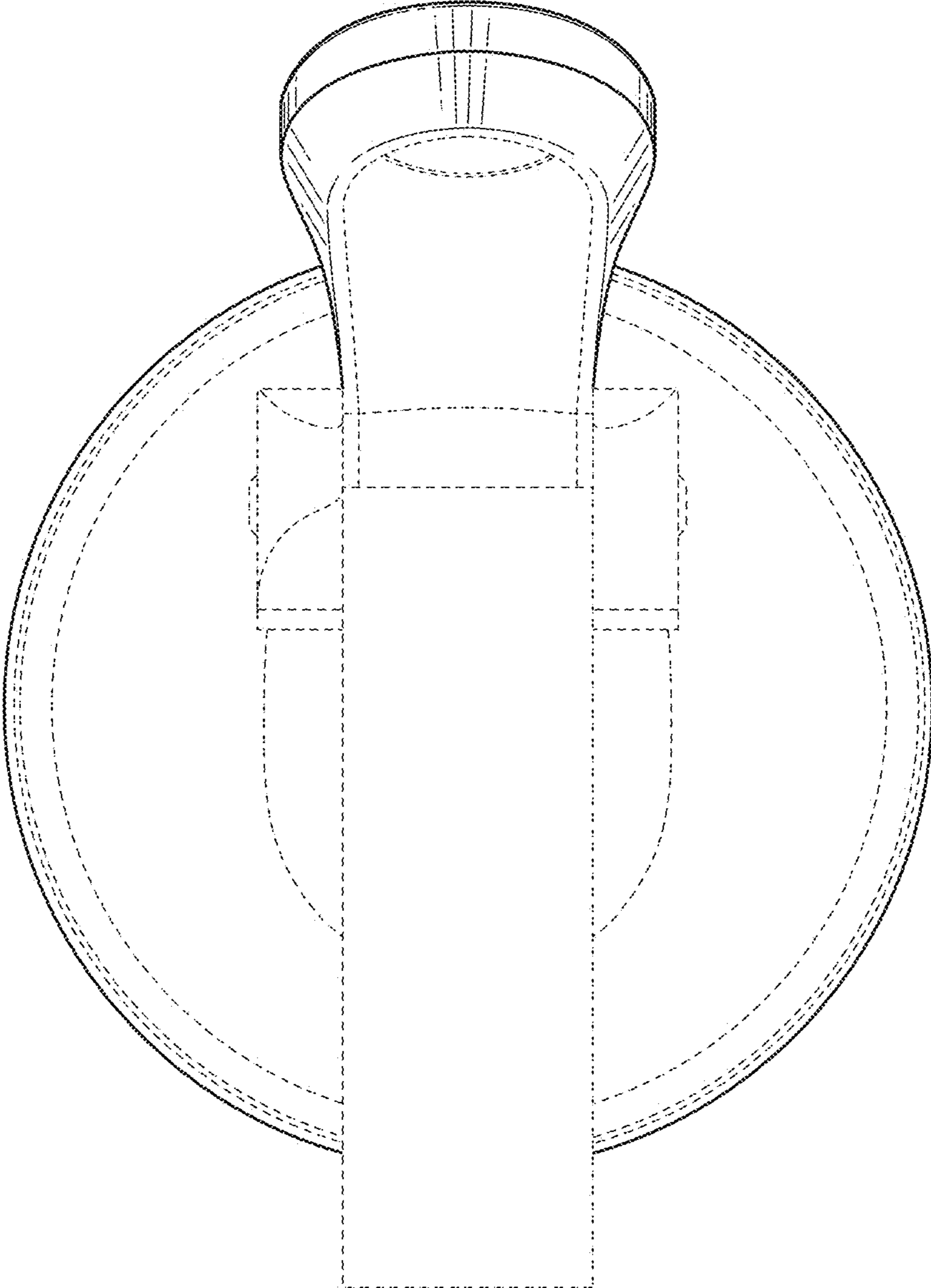


FIG. 7