



US00D889298S

(12) **United States Design Patent**  
**Goltche**

(10) **Patent No.:** **US D889,298 S**

(45) **Date of Patent:** **\*\* Jul. 7, 2020**

(54) **LED LIGHT BAR**

(71) Applicant: **Yehuda Goltche**, Great Neck, NY (US)

(72) Inventor: **Yehuda Goltche**, Great Neck, NY (US)

(\*\*) Term: **15 Years**

(21) Appl. No.: **29/668,510**

(22) Filed: **Oct. 31, 2018**

(51) **LOC (12) Cl.** ..... **10-05**

(52) **U.S. Cl.**  
USPC ..... **D10/114.4**

(58) **Field of Classification Search**  
USPC ..... D10/114.4; D26/76, 28  
CPC ..... F21V 17/06; F21S 43/255; B60Q 1/2611;  
B60Q 1/52  
See application file for complete search history.

(56) **References Cited**

**U.S. PATENT DOCUMENTS**

- 6,511,216 B2 \* 1/2003 Strickland ..... B60Q 1/2611  
362/490
- D614,986 S \* 5/2010 Shin ..... D10/114.4
- D617,229 S \* 6/2010 Shin ..... D10/114.4

- D652,335 S \* 1/2012 Deyaf ..... D10/114.4
- D787,970 S \* 5/2017 Goltche ..... D10/114.4
- 2008/0080203 A1 \* 4/2008 Neufeglise ..... B60Q 1/52  
362/540

\* cited by examiner

*Primary Examiner* — George D. Kirschbaum  
(74) *Attorney, Agent, or Firm* — Dunlap Bennett & Ludwig PLLC

(57) **CLAIM**

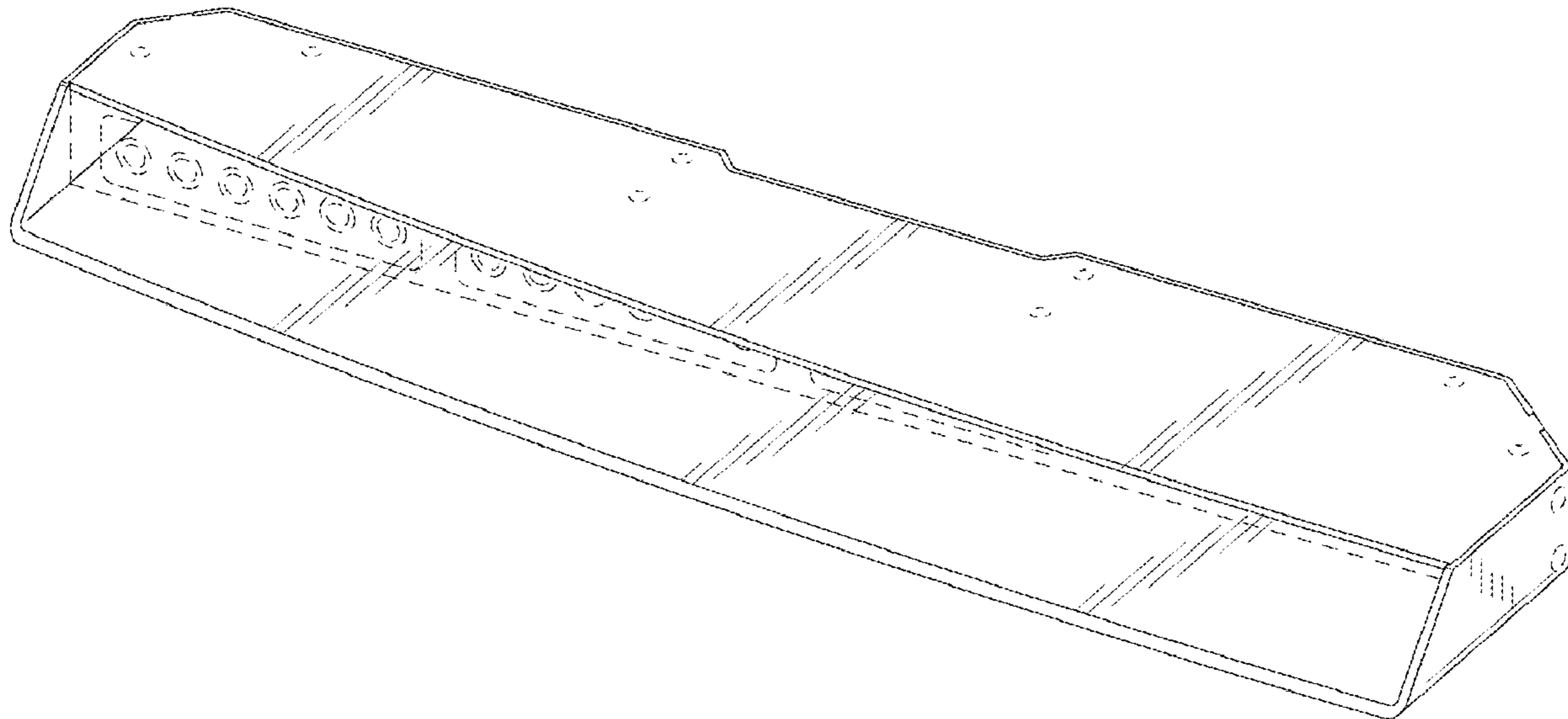
The ornamental design for a LED light bar, as shown and described.

**DESCRIPTION**

FIG. 1 is a top front perspective view of a LED light bar, showing my new design;  
FIG. 2 is a front elevation view thereof;  
FIG. 3 is a rear elevation view thereof;  
FIG. 4 is a right elevation view thereof;  
FIG. 5 is a left elevation view thereof;  
FIG. 6 is a top plan view thereof; and,  
FIG. 7 is a bottom plan view thereof.

The broken lines shown in the drawings depict portions of the LED light bar that form no part of the claimed design.

**1 Claim, 2 Drawing Sheets**



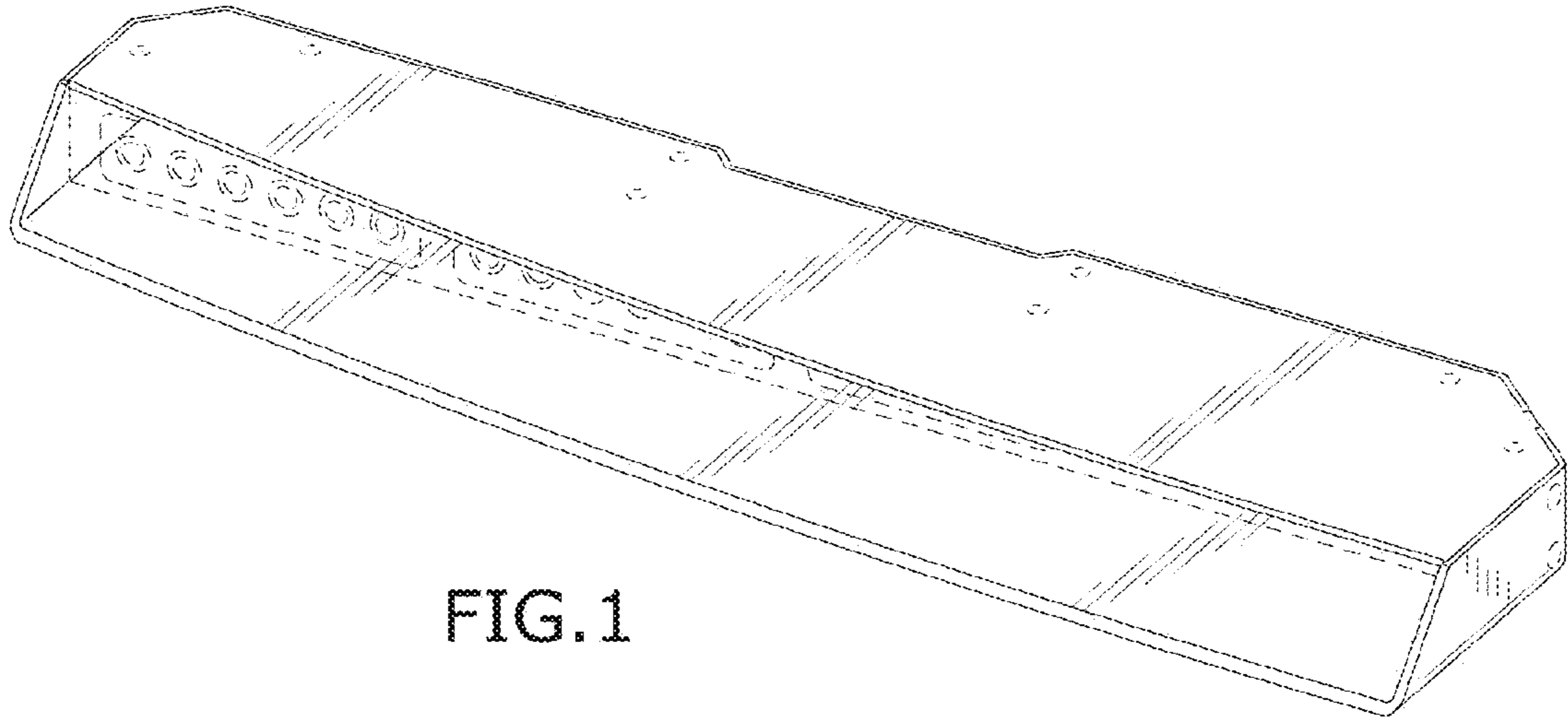


FIG. 1



FIG. 2

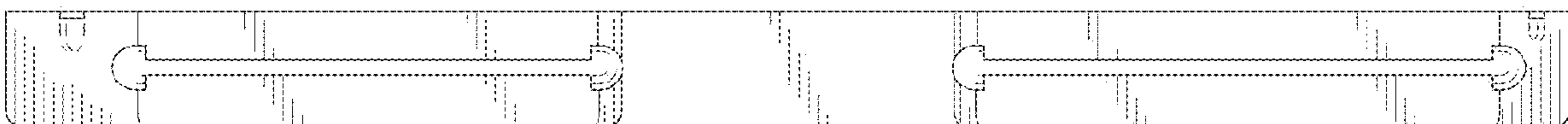


FIG. 3

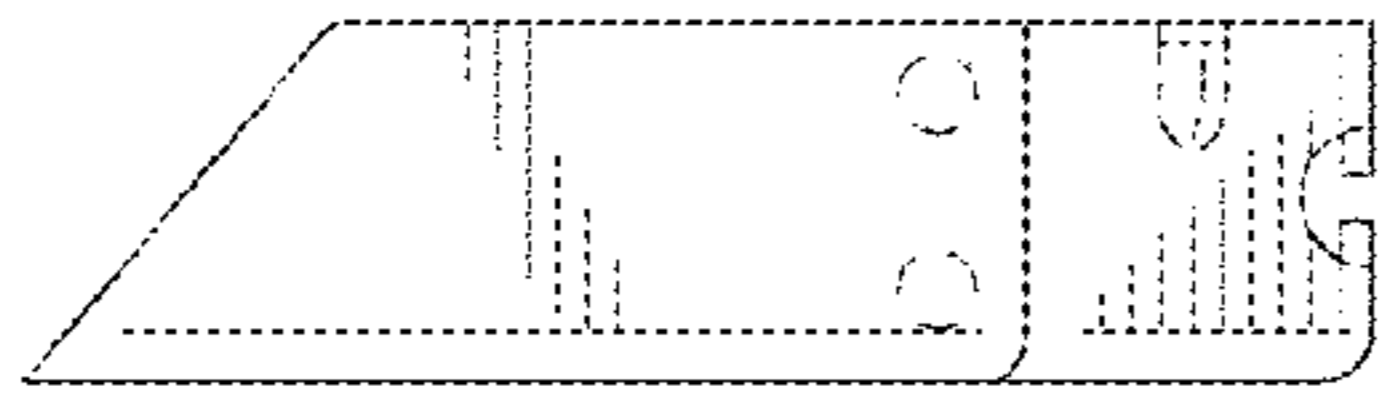


FIG. 4

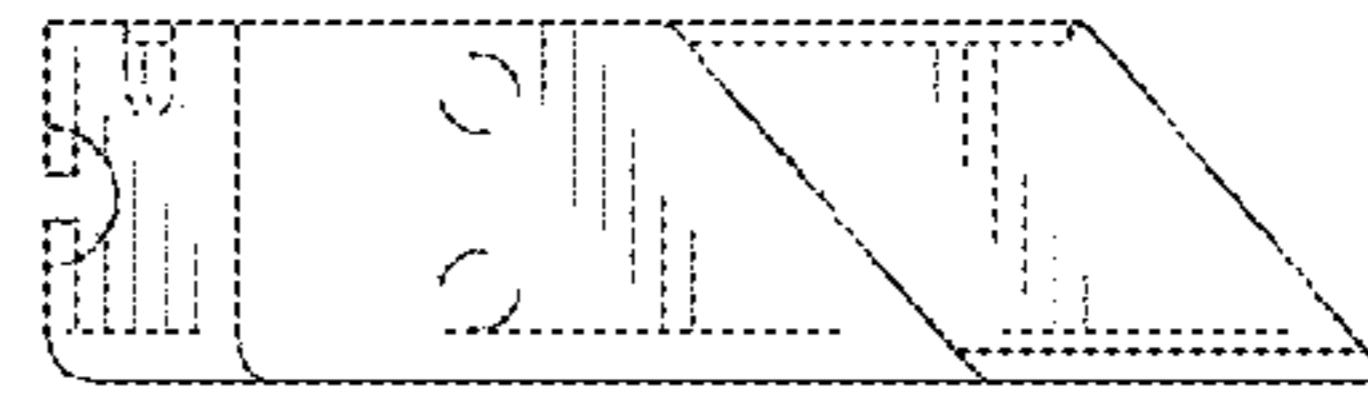


FIG. 5

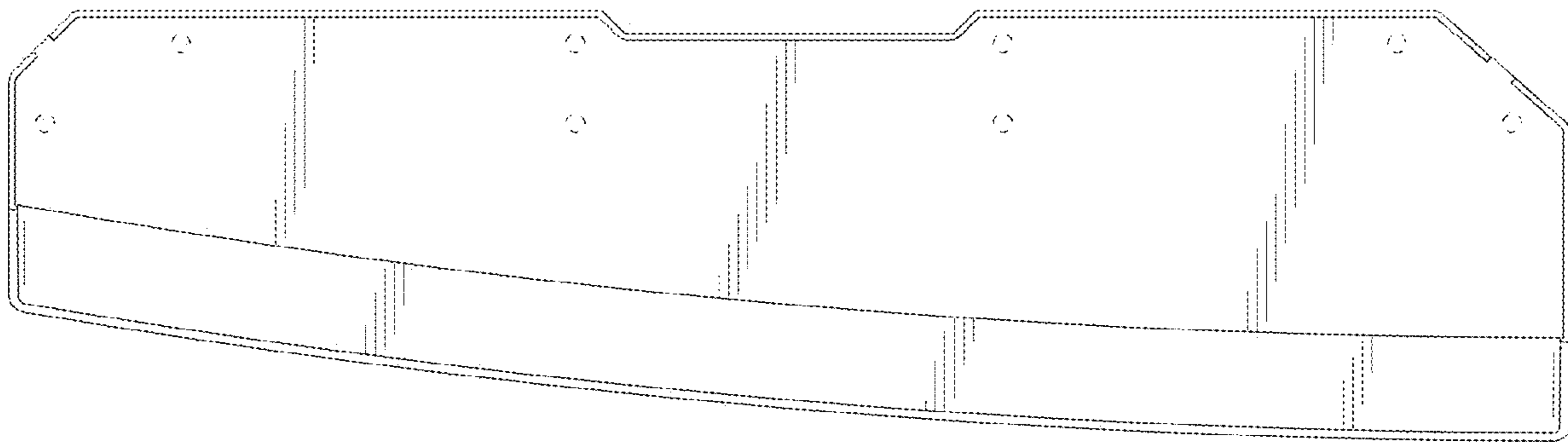


FIG. 6

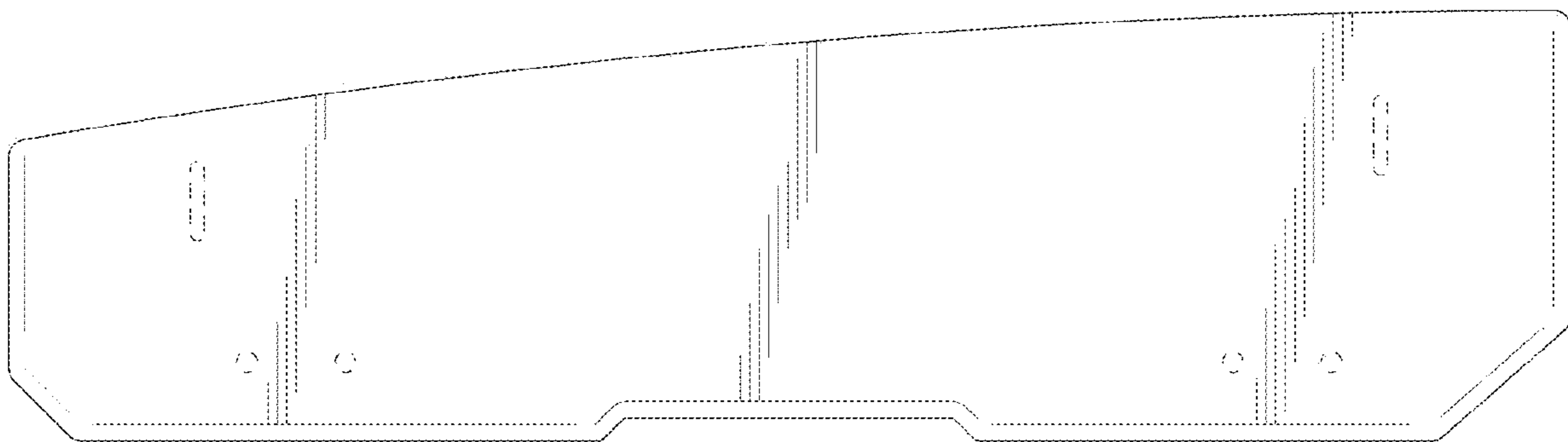


FIG. 7