



US00D889297S

(12) **United States Design Patent**
Kuo

(10) **Patent No.:** **US D889,297 S**
(45) **Date of Patent:** **** Jul. 7, 2020**

- (54) **ROAD REFLECTOR BASE**
- (71) Applicant: **Jing Nan Traffic Engineering Co., Ltd.**, Lukang Township, Changhua County (TW)
- (72) Inventor: **Shu-Nan Kuo**, Lukang Township (TW)
- (73) Assignee: **Jing Nan Traffic Engineering Co., Ltd.**, Lukang Township (TW)

- 7,037,033 B1 * 5/2006 Attar E01F 9/553
404/12
- D569,755 S * 5/2008 Humble D10/113.1
- 8,544,222 B2 * 10/2013 Sippola A61H 3/066
52/177
- 8,662,788 B2 * 3/2014 Sippola A61H 3/066
404/134
- 8,920,066 B1 * 12/2014 Meyers E01C 5/20
404/18
- D728,305 S * 5/2015 Henry D7/388
- D779,353 S * 2/2017 Xiao D10/113.1
- D844,348 S * 4/2019 Manko D6/608

(**) Term: **15 Years**

(21) Appl. No.: **29/642,580**

(22) Filed: **Mar. 30, 2018**

(51) **LOC (12) Cl.** **10-05**

(52) **U.S. Cl.**
USPC **D10/113.4**

(58) **Field of Classification Search**
USPC D10/109.1-114.1; 350/97, 98, 99, 100,
350/101, 102, 103, 104, 105, 106, 107,
350/108, 109; 404/6-16
CPC E01F 9/553
See application file for complete search history.

(56) **References Cited**

U.S. PATENT DOCUMENTS

- 5,078,538 A * 1/1992 Montalbano E01F 9/553
404/12
- 6,109,821 A * 8/2000 Montalbano E01F 9/553
116/63 R
- D441,678 S * 5/2001 Lyons D10/114.1
- 6,334,734 B1 * 1/2002 Attar E01F 9/573
404/12
- 6,537,642 B1 * 3/2003 Jacquet A47G 27/0418
15/215
- 6,718,714 B1 * 4/2004 Montgomery, Sr.
F24D 13/022
52/392
- 6,811,729 B2 * 11/2004 Attar E01F 9/553
264/1.9

Primary Examiner — Michael C Stout

Assistant Examiner — Katrina N Gonzalez

(74) *Attorney, Agent, or Firm* — Alan D. Kamrath; Karin L. Williams; Mayer & Williams PC

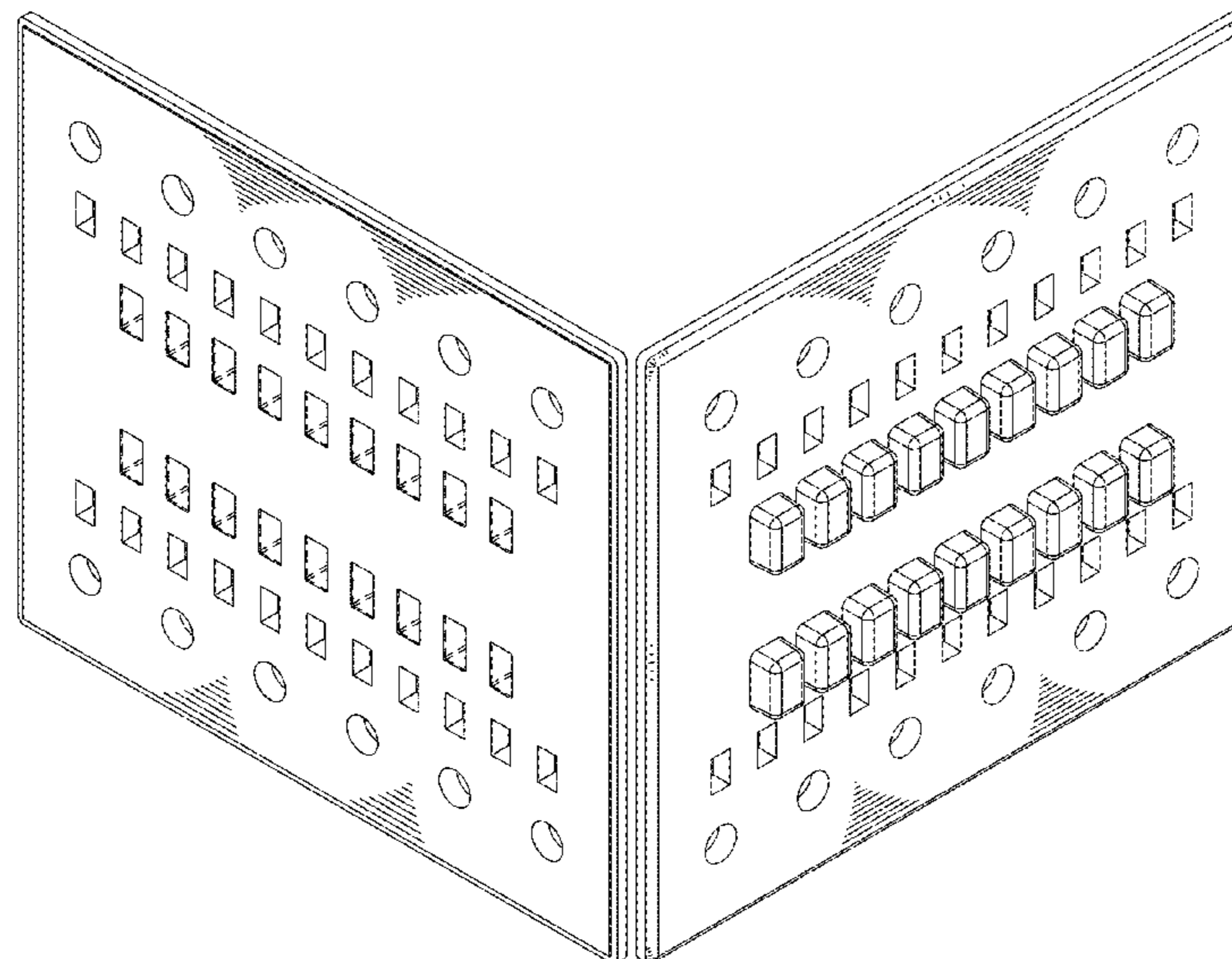
(57) **CLAIM**

The ornamental design for a road reflector base, as shown and described.

DESCRIPTION

FIG. 1 is a right front side perspective view of a road reflector base showing my design;
 FIG. 2 is a right rear side perspective view of the road reflector base as shown in FIG. 1;
 FIG. 3 is a front elevational view thereof;
 FIG. 4 is a rear elevational view thereof;
 FIG. 5 is a left side elevational view thereof;
 FIG. 6 is a right side elevational view thereof;
 FIG. 7 is a top plan view thereof;
 FIG. 8 is a bottom plan view thereof; and,
 FIG. 9 is another right front side perspective view, shown in an environment of use.
 The broken lines shown in FIGS. 1, 3 and 9 illustrate portions of the road reflector base. The broken lines in FIG. 9, showing the road reflector, illustrates environmental structure. The broken lines form no part of the claimed design.

1 Claim, 8 Drawing Sheets



(56)

References Cited

U.S. PATENT DOCUMENTS

2005/0025570	A1 *	2/2005	Snagel	E01F 9/553 404/16
2006/0280555	A1 *	12/2006	Forrer	E01F 9/553 404/16
2008/0038058	A1 *	2/2008	Forrer	E01F 9/553 404/14
2008/0232903	A1 *	9/2008	Ogemark	E01F 9/512 404/14
2009/0041541	A1 *	2/2009	Lowe	E01F 9/553 404/14
2011/0033233	A1 *	2/2011	D'Almeida	E01F 13/123 404/6
2011/0085855	A1 *	4/2011	Amaya	E01F 9/553 404/13

* cited by examiner

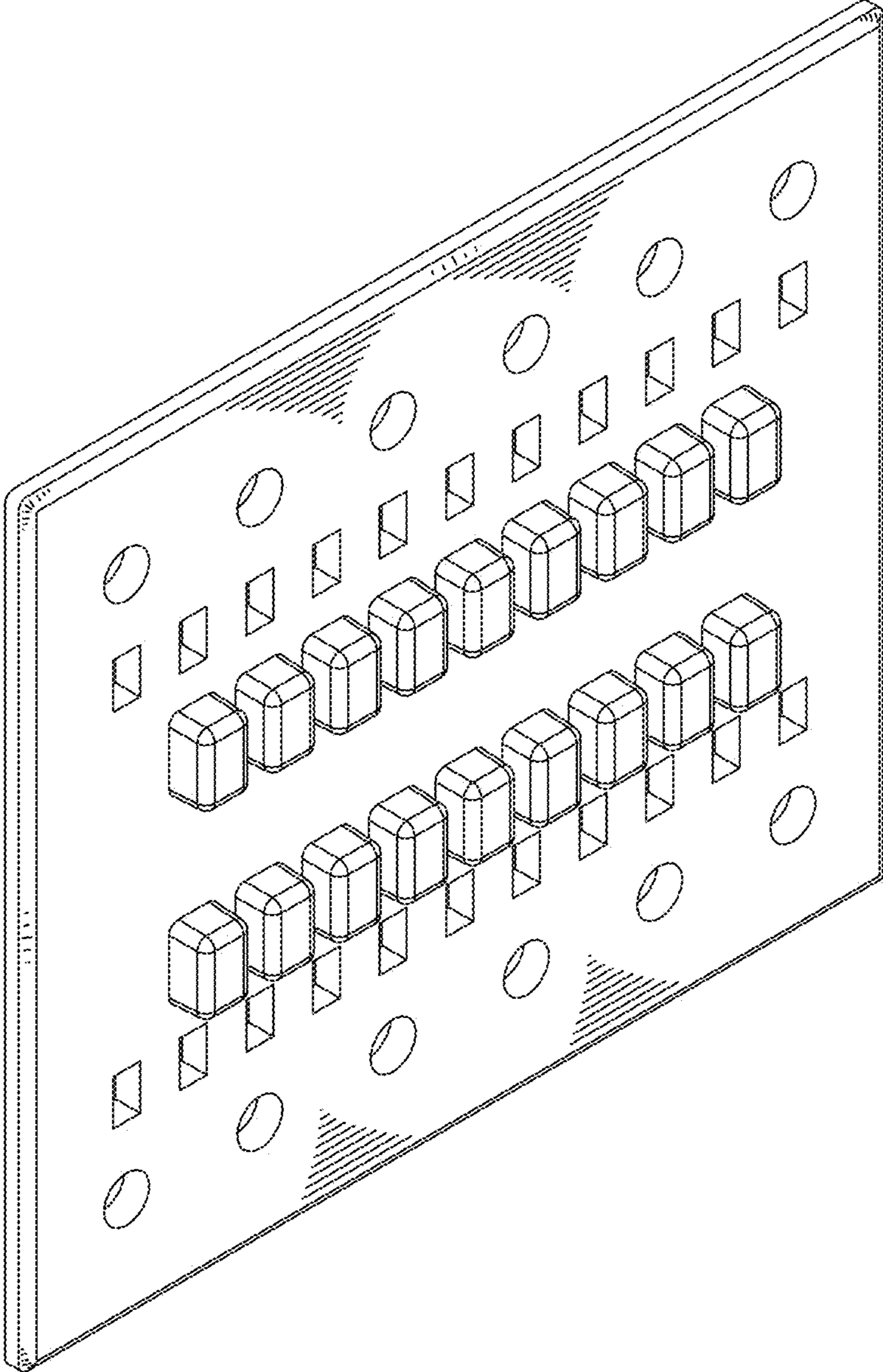


FIG. 2

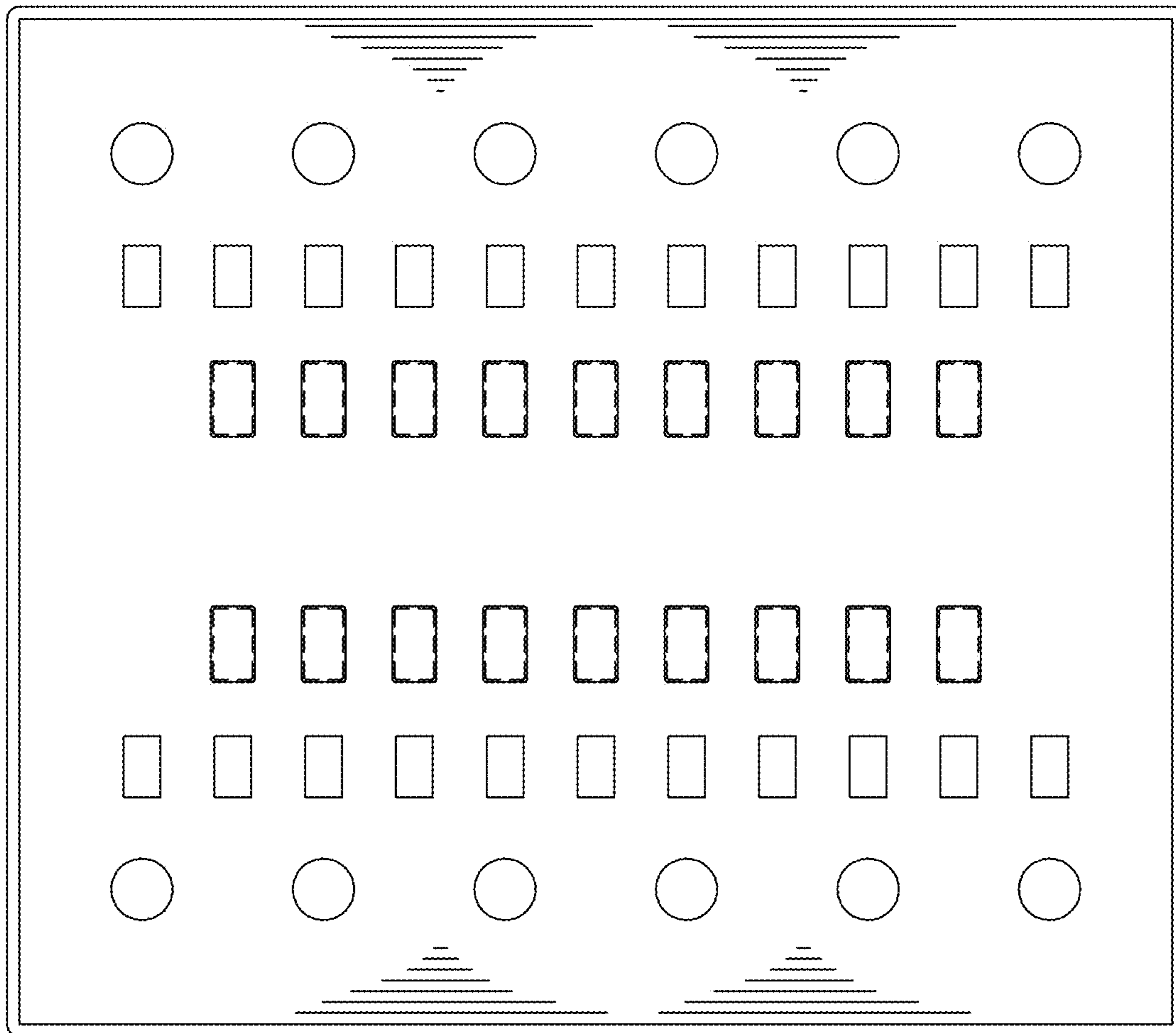


FIG. 3

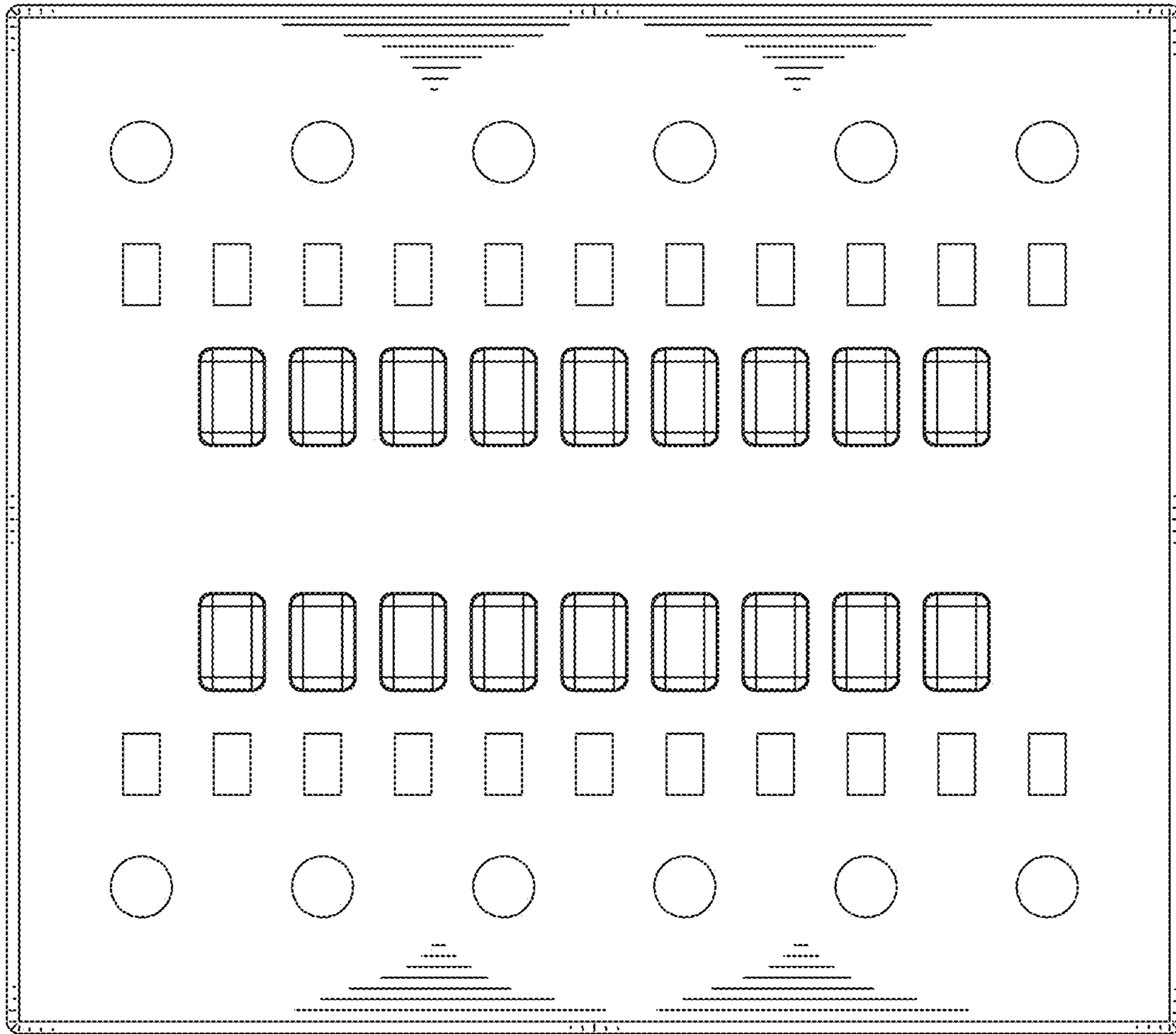


FIG. 4

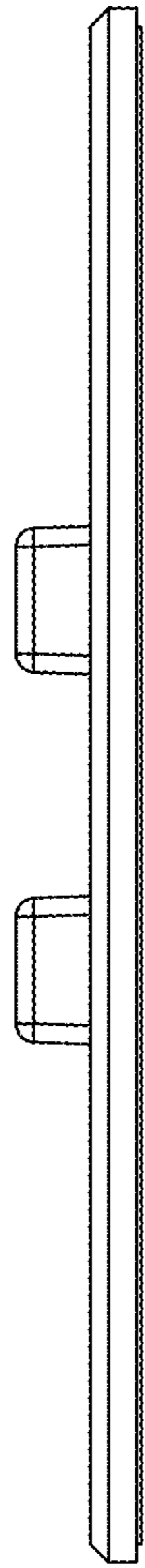


FIG. 5

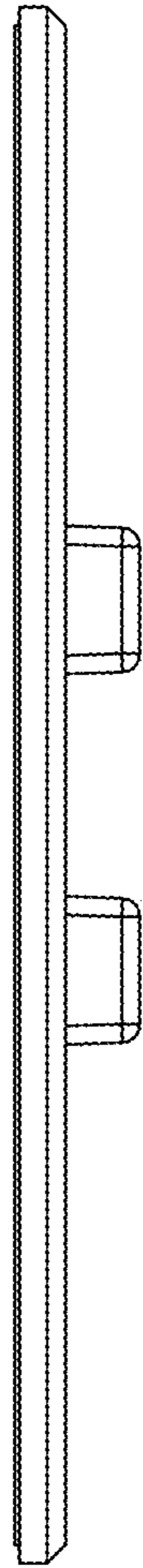


FIG. 6

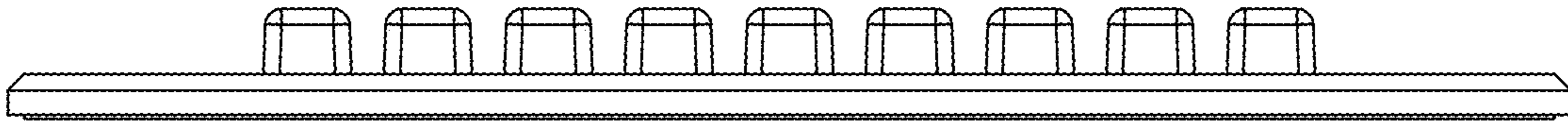


FIG. 7

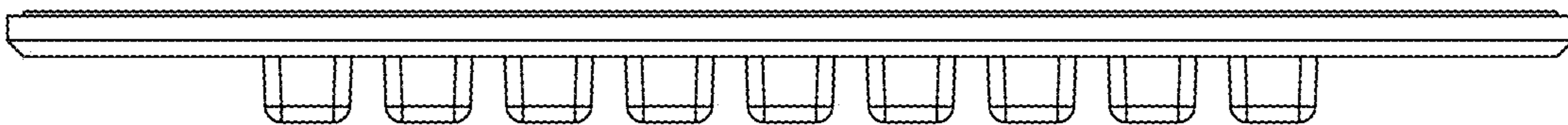


FIG. 8

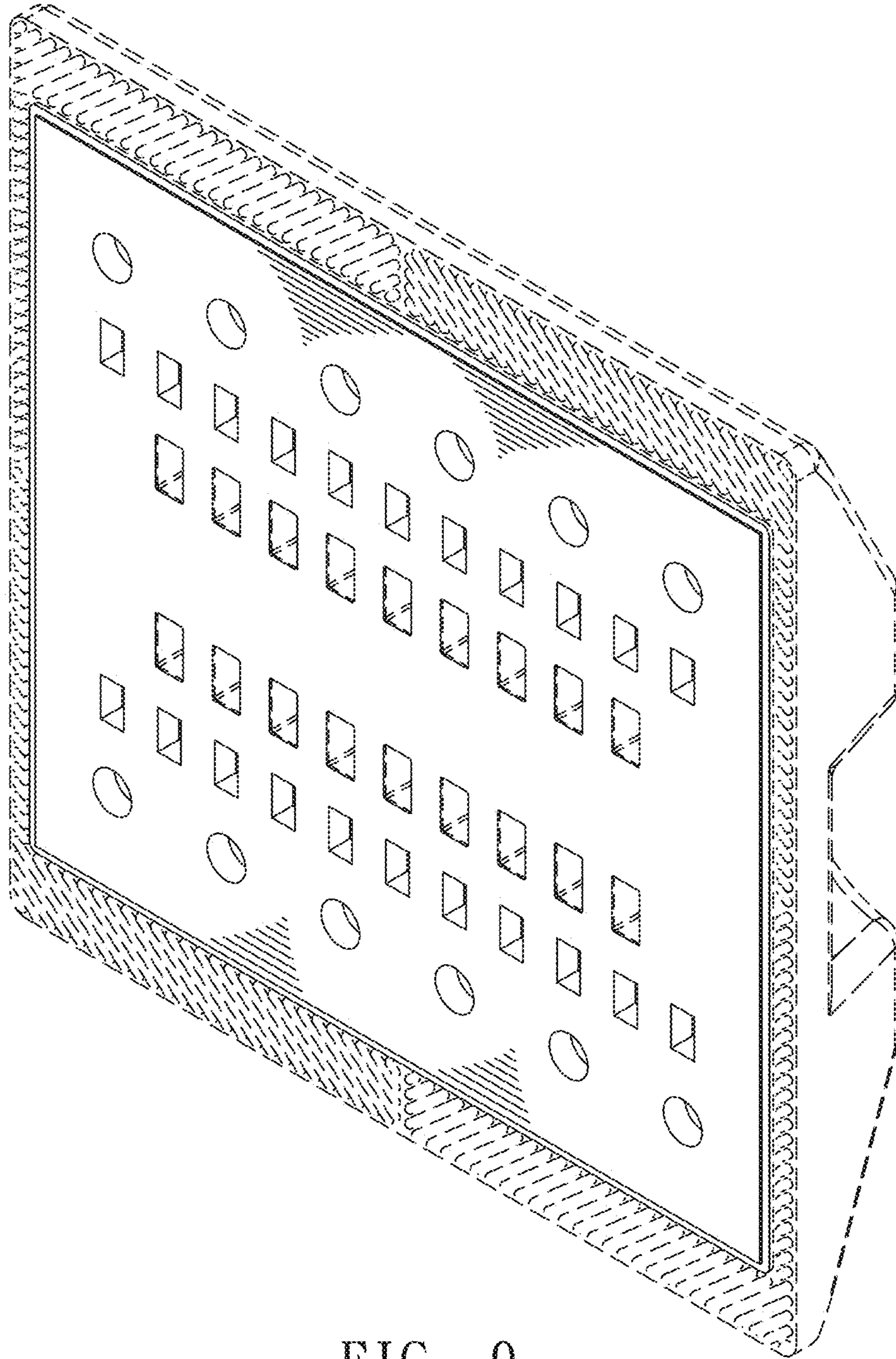


FIG. 9