



US00D889296S

(12) **United States Design Patent** (10) **Patent No.:** **US D889,296 S**
Loh et al. (45) **Date of Patent:** **** Jul. 7, 2020**

(54) **SENSOR HOUSING FOR OPEN DOOR SENSOR**

(71) Applicant: **Forever Holdings, Inc.**, Woodbury, MN (US)

(72) Inventors: **Shung Loh**, Woodbury, MN (US); **Ho Yin Lee**, Woodbury, MN (US); **Ping Hay Heun**, Woodbury, MN (US)

(73) Assignee: **Forever Holdings, Inc.**, Woodbury, MN (US)

(**) Term: **15 Years**

(21) Appl. No.: **29/627,381**

(22) Filed: **Nov. 27, 2017**

(51) **LOC (12) Cl.** **10-05**

(52) **U.S. Cl.**
USPC **D10/106.1**

(58) **Field of Classification Search**
USPC D10/104.1, 104.2, 106.1, 106.2, 106.3, D10/106.4, 106.6, 106.7, 106.95, 108, D10/109.1, 109.2, 116.1, 118, 118.1, D10/118.2, 121; D13/110, 107, 108, 118, D13/119, 123, 133, 137.1, 184, 199; 174/53, 54, 59, 61; 307/11, 150, 151; 320/107, 111, 112, 113, 114, 115
CPC ... G08B 3/00; G08B 3/10; G08B 7/00; G08B 7/06

See application file for complete search history.

(56) **References Cited**

U.S. PATENT DOCUMENTS

D327,856 S *	7/1992	Loew	D10/106.95
D574,850 S *	8/2008	Zimman	D14/496
D589,832 S *	4/2009	Ogura	D10/108
D596,977 S *	7/2009	Ogura	D10/108
D616,321 S *	5/2010	Skaf	D10/104.1
D673,153 S *	12/2012	Bousfield	D14/385
D673,533 S *	1/2013	Ennabli	D14/230

D696,255 S *	12/2013	Bousfield	D14/385
D699,613 S *	2/2014	Ke	D10/106.95
D699,614 S *	2/2014	Ke	D10/106.95
D699,615 S *	2/2014	Ke	D10/106.95
D699,616 S *	2/2014	Ke	D10/106.95
D705,107 S *	5/2014	Corso	D10/106.1
D719,862 S *	12/2014	Fiedler	D10/106.95
D736,207 S *	8/2015	Bousfield	D14/385
D775,537 S *	1/2017	Kikstra	D10/106.6

(Continued)

FOREIGN PATENT DOCUMENTS

GB 6035915 * 5/2018

OTHER PUBLICATIONS

“Fosmon WaveLink 51009HOM Wireless Door Open Chime” available Dec. 8, 2016, [online], [site visited May 7, 2019]. Retrieved from Internet, (Year: 2016).*

(Continued)

Primary Examiner — Michael C Stout

Assistant Examiner — Katrina N Gonzalez

(74) *Attorney, Agent, or Firm* — Haugen Law Firm PLLP

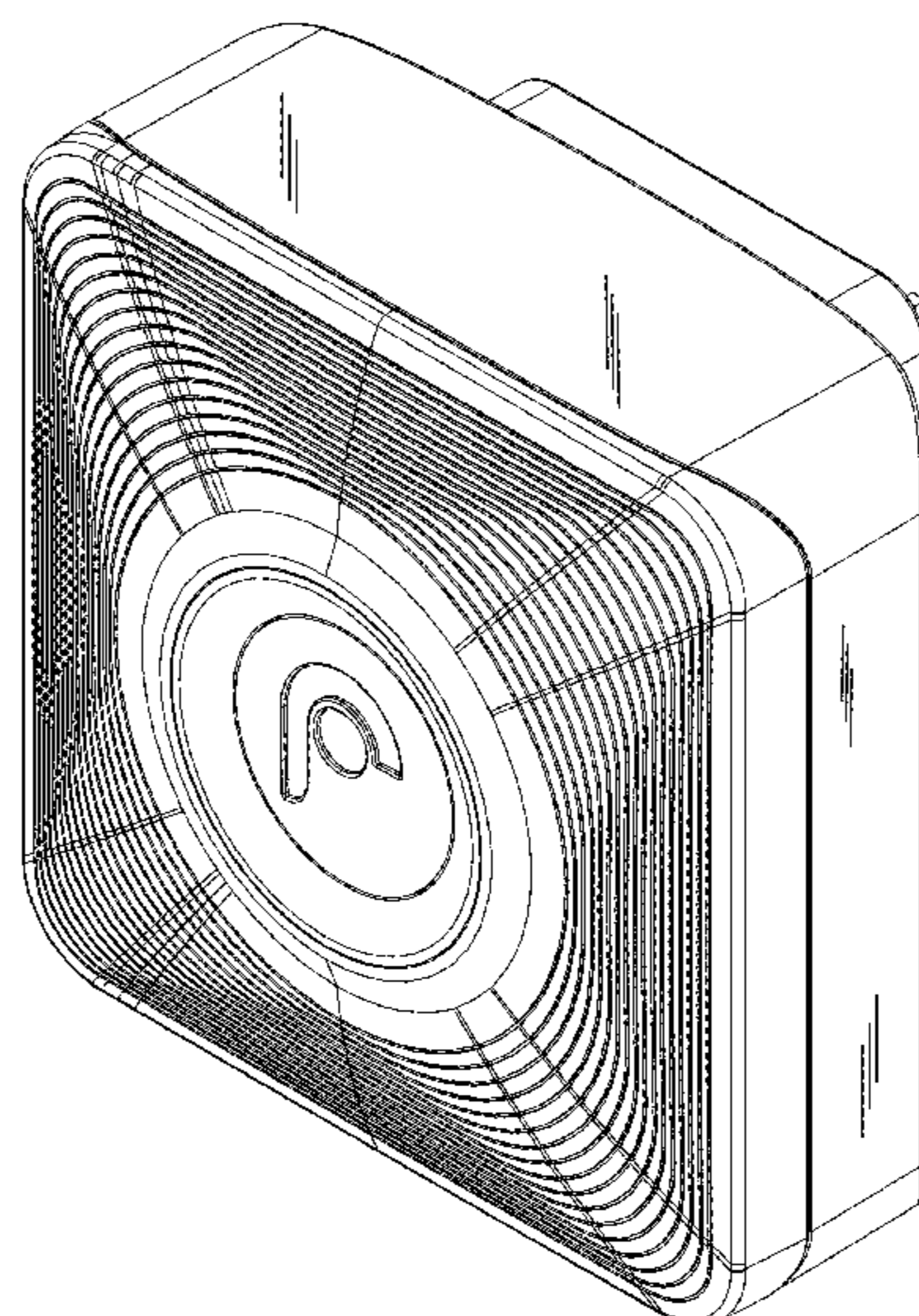
(57) **CLAIM**

The ornamental design for a sensor housing for open door sensor, as shown and described.

DESCRIPTION

FIG. 1 is a front top right-side perspective view of the sensor housing for open door sensor of the present invention; FIG. 2 is a front view thereof; FIG. 3 is a back view thereof; FIG. 4 is a left side view thereof; FIG. 5 is a right side view thereof; FIG. 6 is a top view thereof; FIG. 7 is a bottom view thereof; and, FIG. 8 is a bottom back left perspective view thereof.

1 Claim, 8 Drawing Sheets



(56)

References Cited

U.S. PATENT DOCUMENTS

D817,208 S * 5/2018 Ravat D10/118.2
D821,401 S * 6/2018 Siebels D14/420
D834,437 S * 11/2018 Zhang D10/106.95
D834,979 S * 12/2018 Zhang D10/106.95
D839,874 S * 2/2019 Biesart D14/383
D842,156 S * 3/2019 Hanna D10/118.2
D844,615 S * 4/2019 Laurans D14/399
D844,616 S * 4/2019 Castle D14/399

OTHER PUBLICATIONS

“Amazon.com_ Fosmon WaveLink 51004HOM Wireless Door Open Chime” available Mar. 4, 2019, [online], [site visited May 7, 2019]. Retrieved from Internet, (Year: 2019).*

* cited by examiner

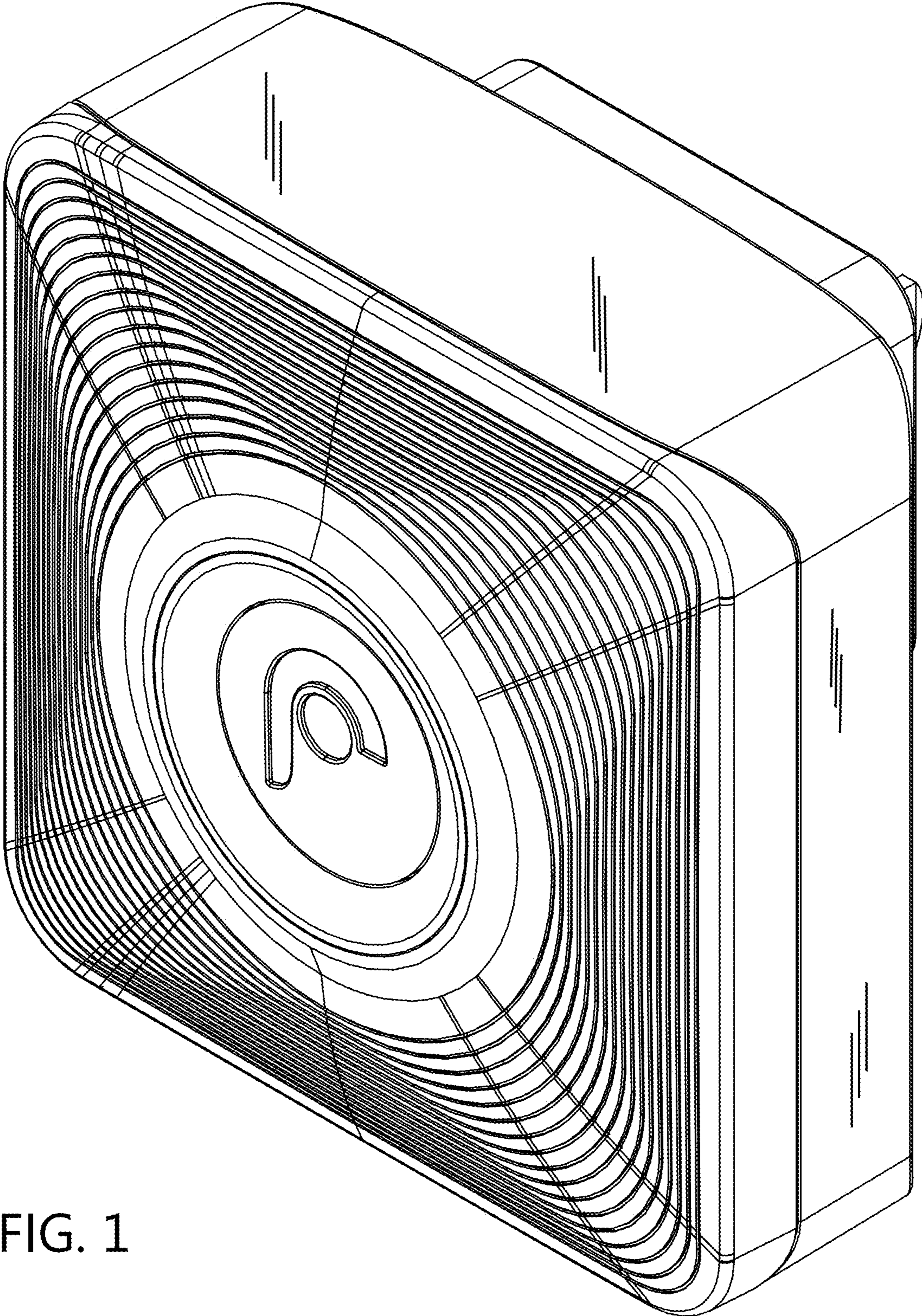


FIG. 1

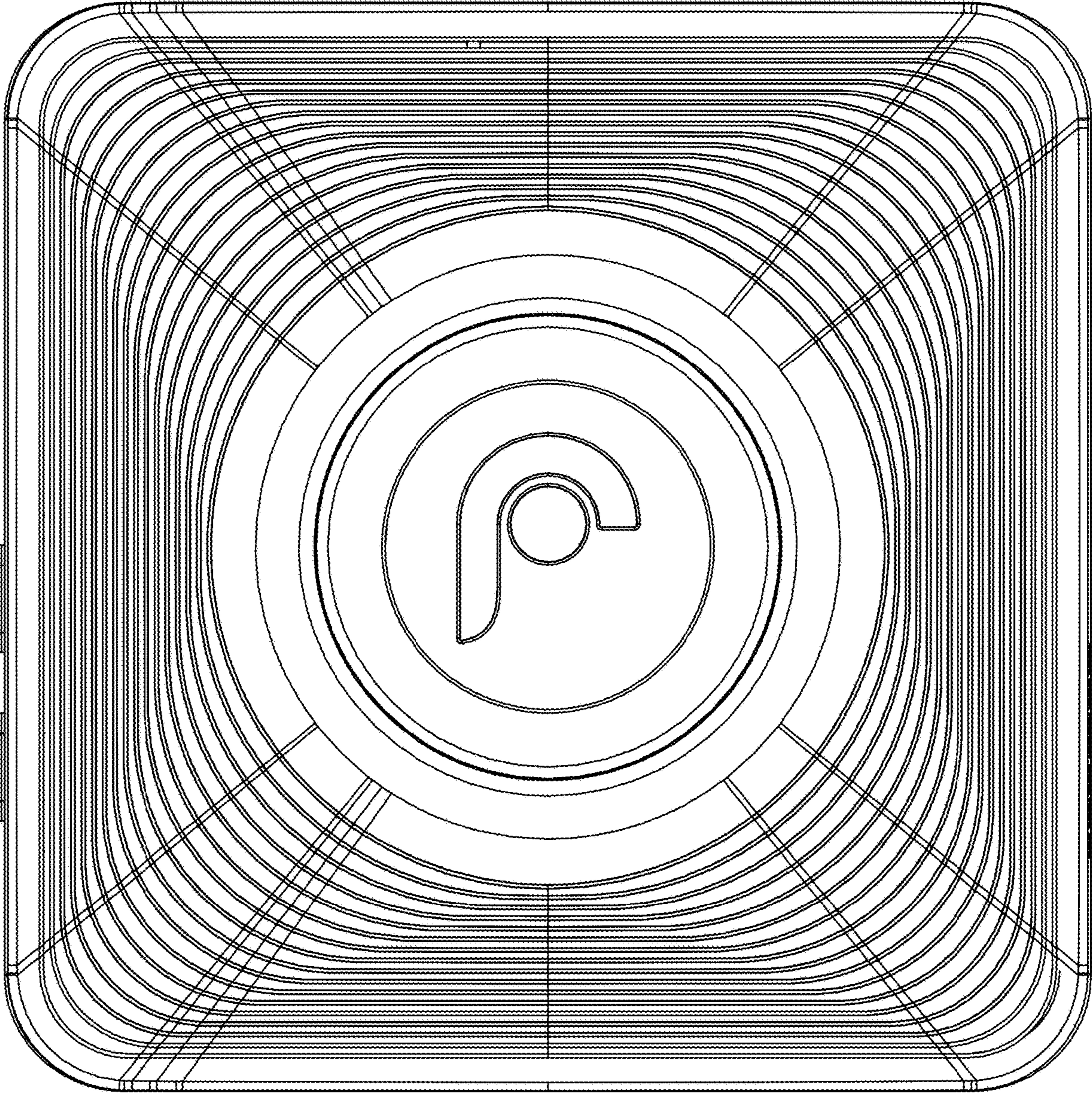


FIG. 2

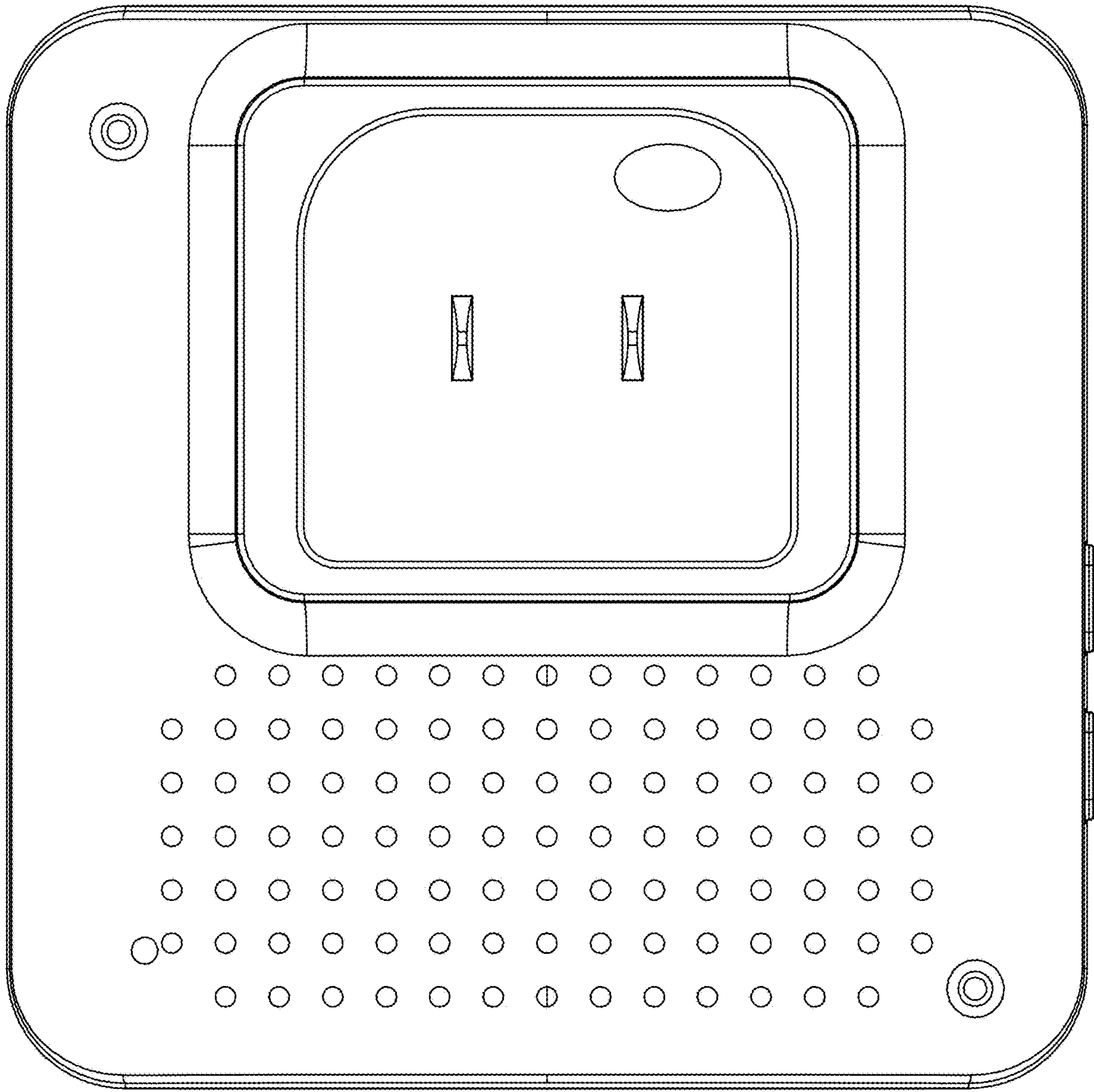


FIG. 3

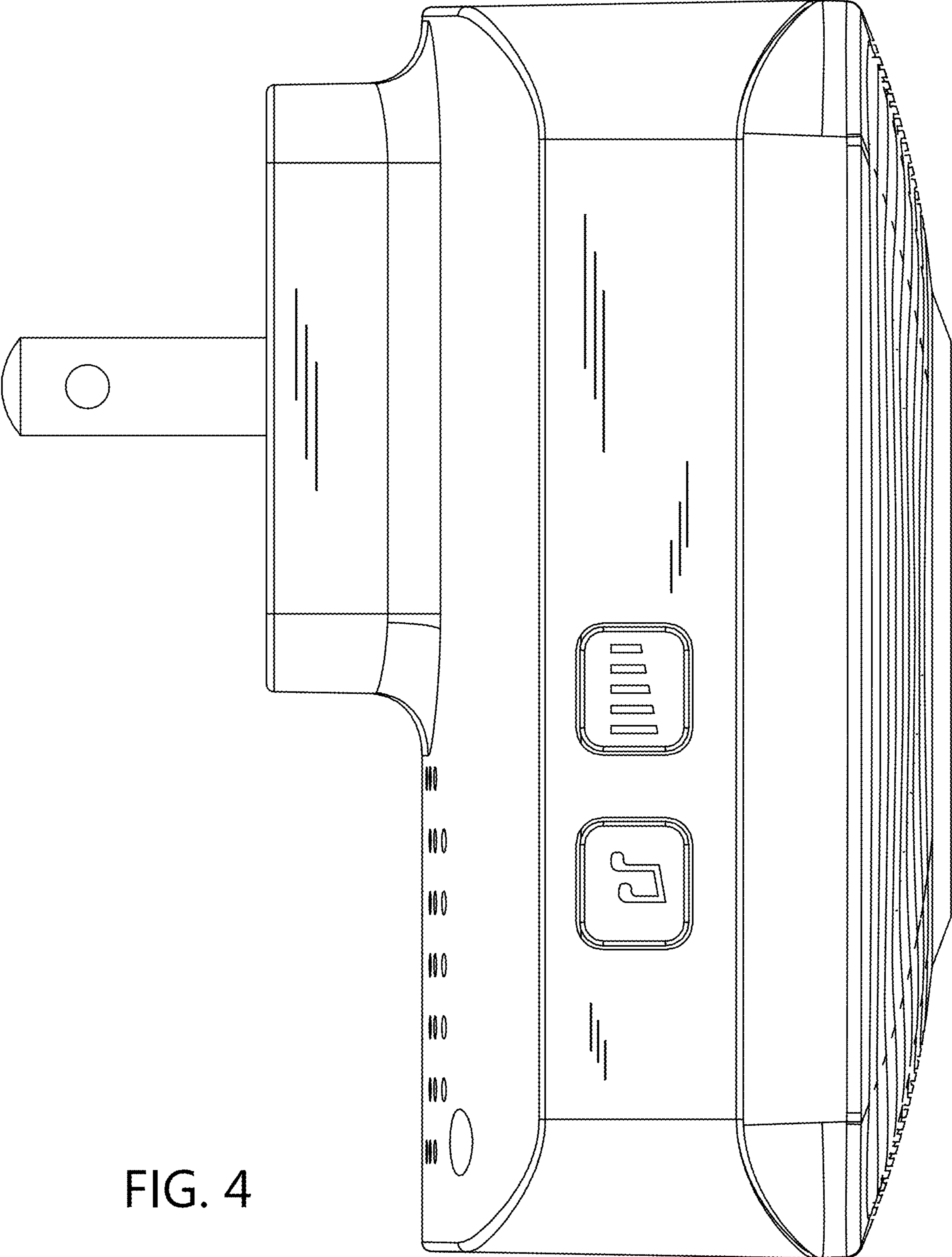


FIG. 4

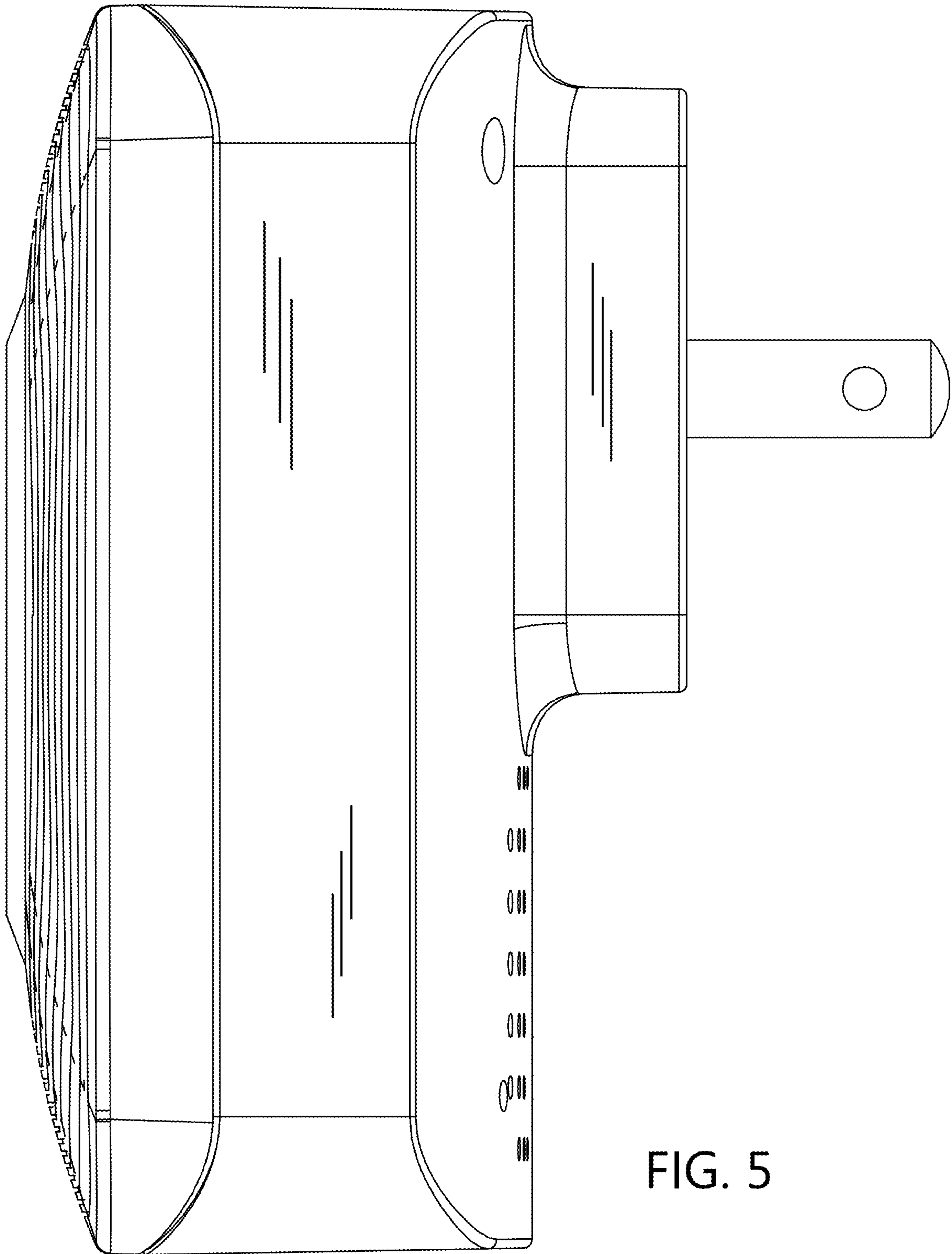


FIG. 5

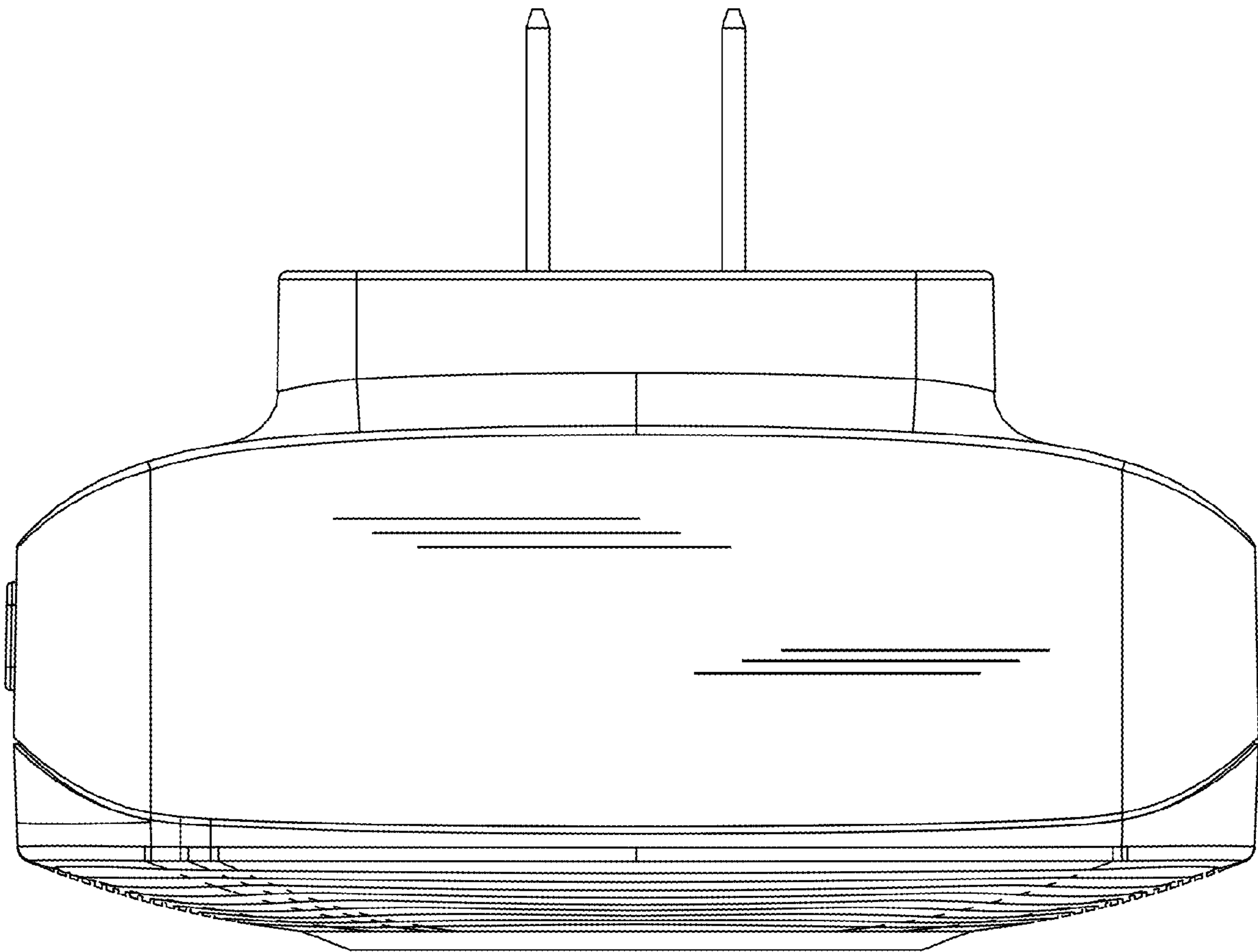


FIG. 6

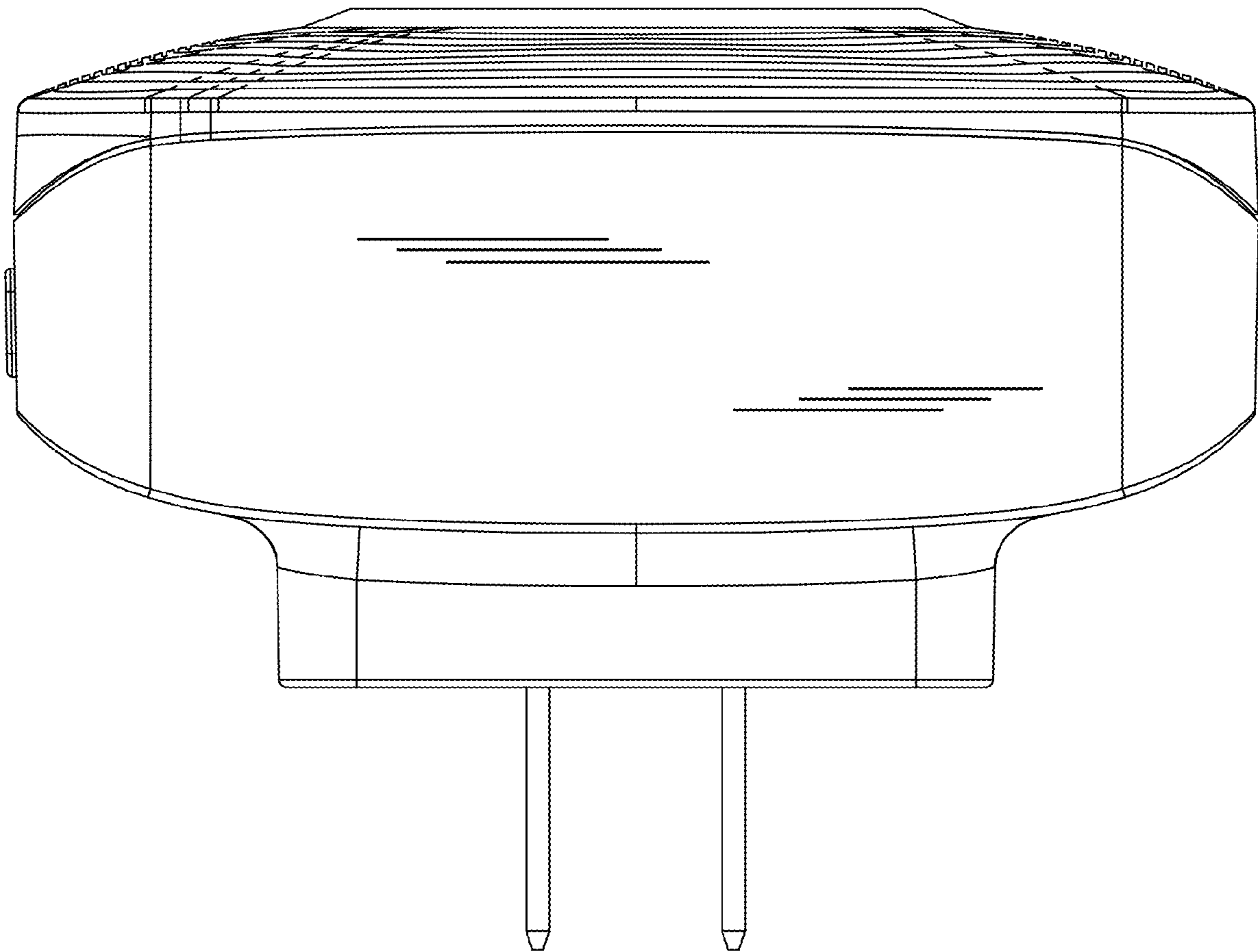


FIG. 7

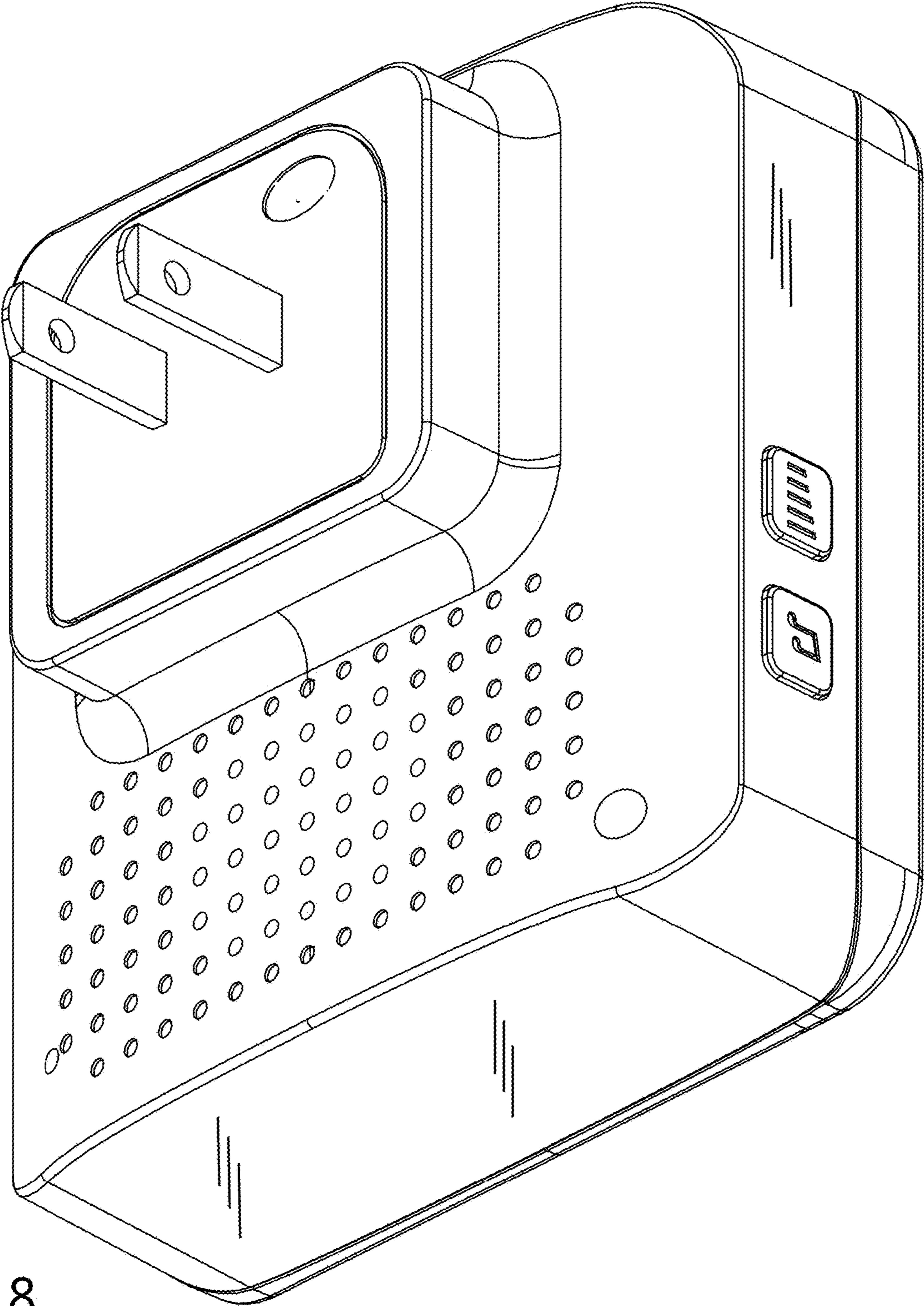


FIG. 8