



US00D889295S

(12) **United States Design Patent**  
**Chung**

(10) **Patent No.:** **US D889,295 S**

(45) **Date of Patent:** **\*\* Jul. 7, 2020**

(54) **LIGHTNING ROD**

9,484,731 B2 \* 11/2016 Chung ..... H02G 13/00  
D804,344 S \* 12/2017 Chung ..... D10/105  
9,905,092 B2 \* 2/2018 Chung ..... H02G 13/80

(71) Applicant: **OMNI LPS CO., LTD.**, Seoul (KR)

\* cited by examiner

(72) Inventor: **Young Ki Chung**, Seoul (KR)

*Primary Examiner* — George D. Kirschbaum

(73) Assignee: **OMNI LPS CO., LTD.**, Seoul (KR)

(74) *Attorney, Agent, or Firm* — Novick, Kim & Lee, PLLC; Jae Youn Kim; Hyun Woo Shin

(\*\*) Term: **15 Years**

(57) **CLAIM**

(21) Appl. No.: **29/684,228**

I claim, the ornamental design for a lightning rod, as shown and described.

(22) Filed: **Mar. 19, 2019**

**DESCRIPTION**

(51) **LOC (12) Cl.** ..... **10-05**

(52) **U.S. Cl.**  
USPC ..... **D10/105**

(58) **Field of Classification Search**  
USPC ..... D10/105  
CPC ..... H02G 13/80; H02G 13/00  
See application file for complete search history.

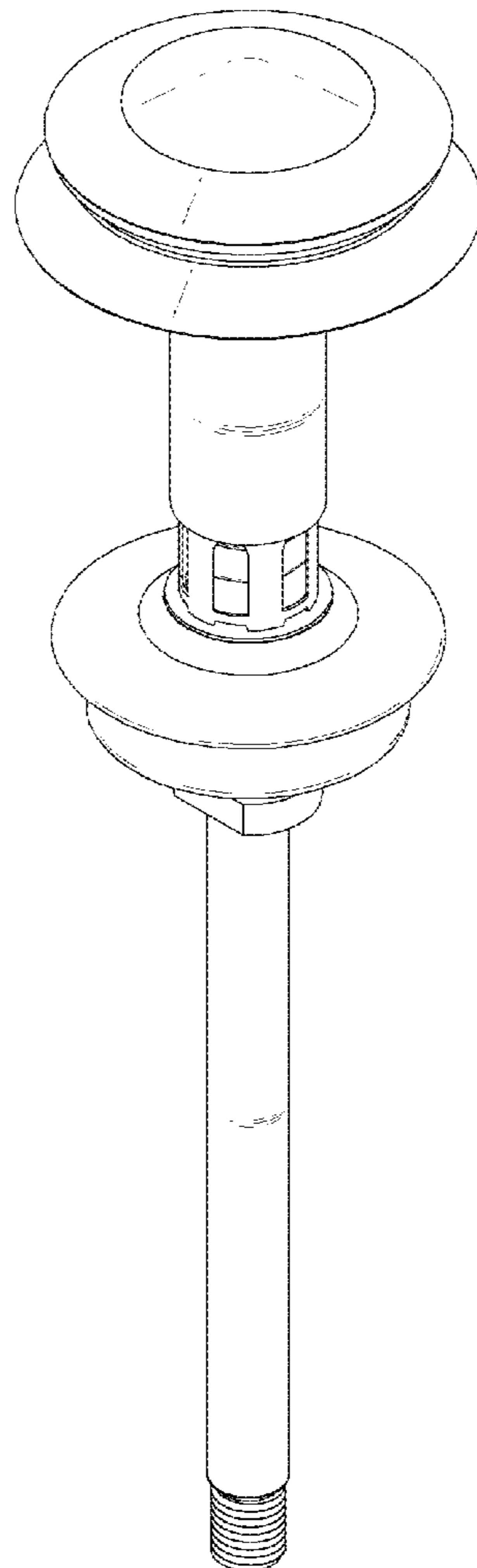
FIG. 1 a top perspective view of a lightning rod, showing my new design;  
FIG. 2 is a front elevational view thereof;  
FIG. 3 is a rear elevational view thereof;  
FIG. 4 is a left side elevational view thereof;  
FIG. 5 is a right side elevational view thereof;  
FIG. 6 is a top plan view thereof;  
FIG. 7 is a bottom plan view thereof; and,  
FIG. 8 is a bottom perspective view thereof.

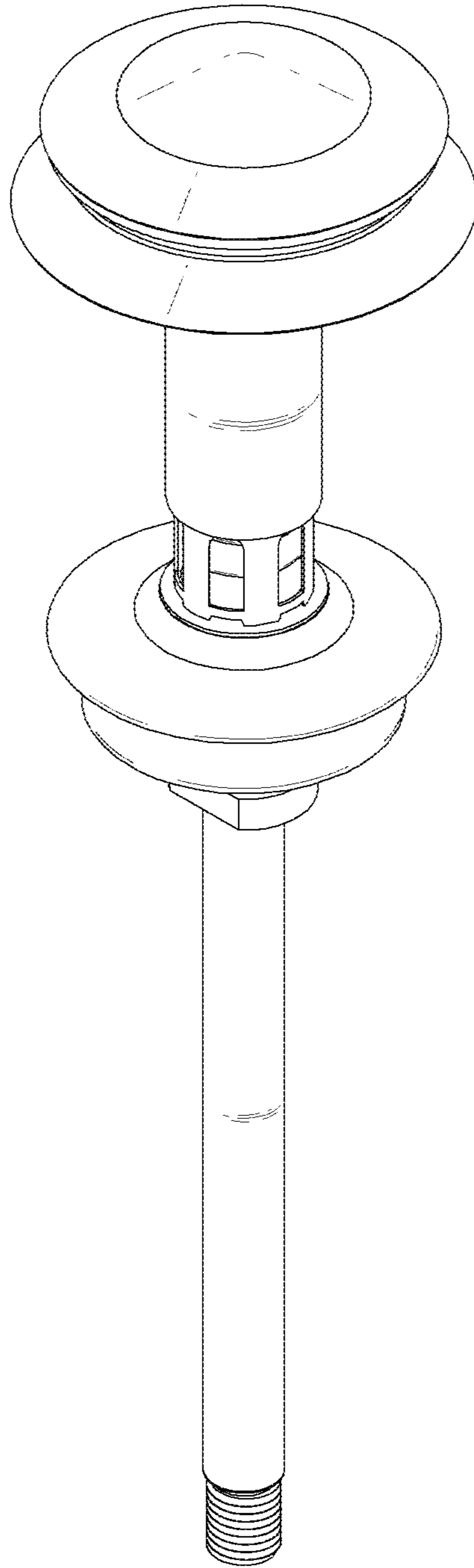
(56) **References Cited**

**U.S. PATENT DOCUMENTS**

D756,827 S \* 5/2016 Chung ..... D10/105

**1 Claim, 7 Drawing Sheets**





**FIG. 1**

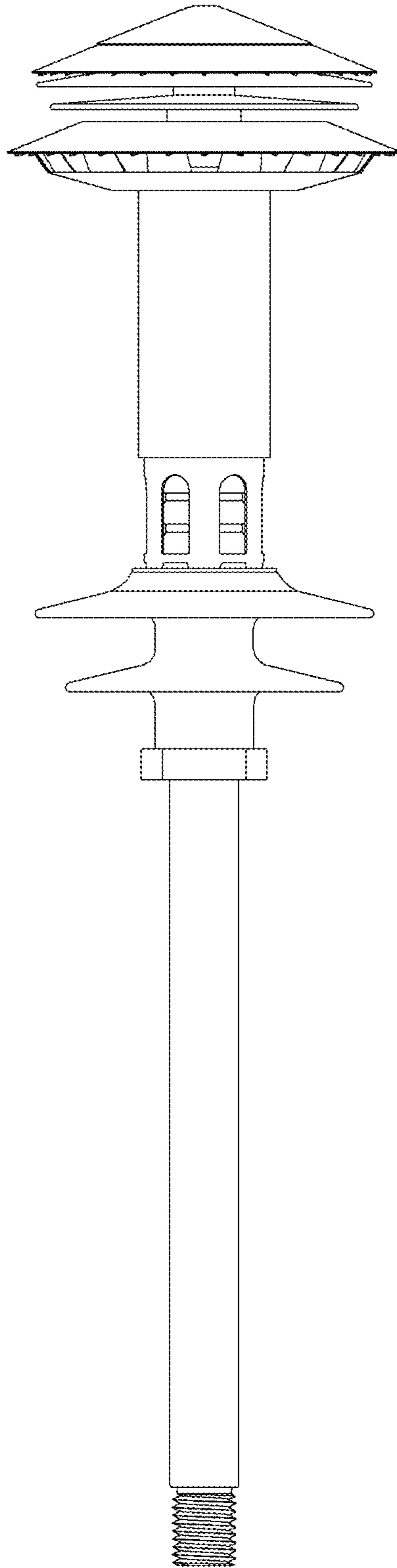


FIG. 2

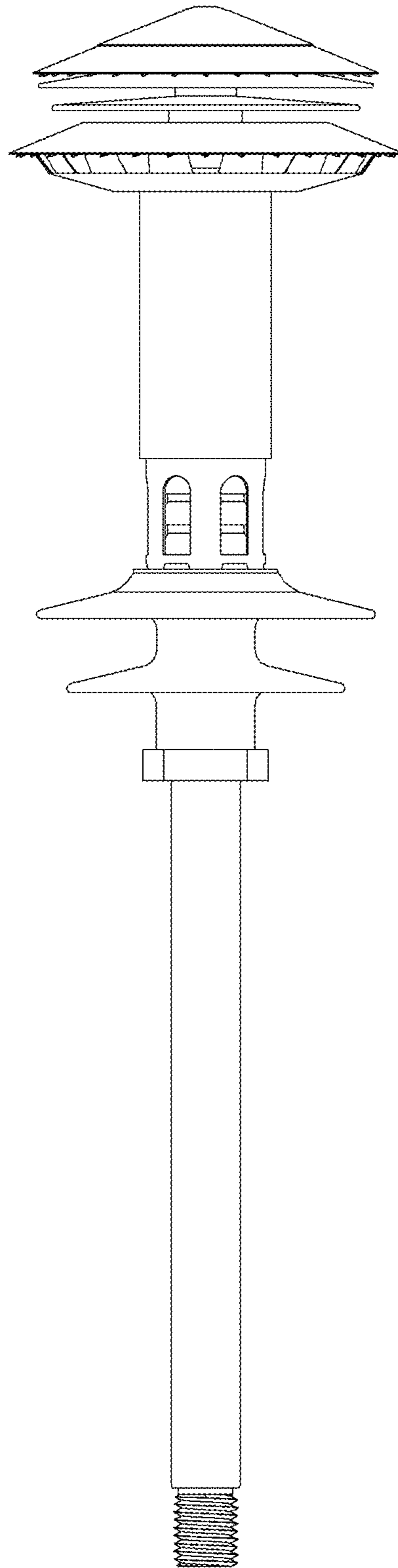


FIG. 3

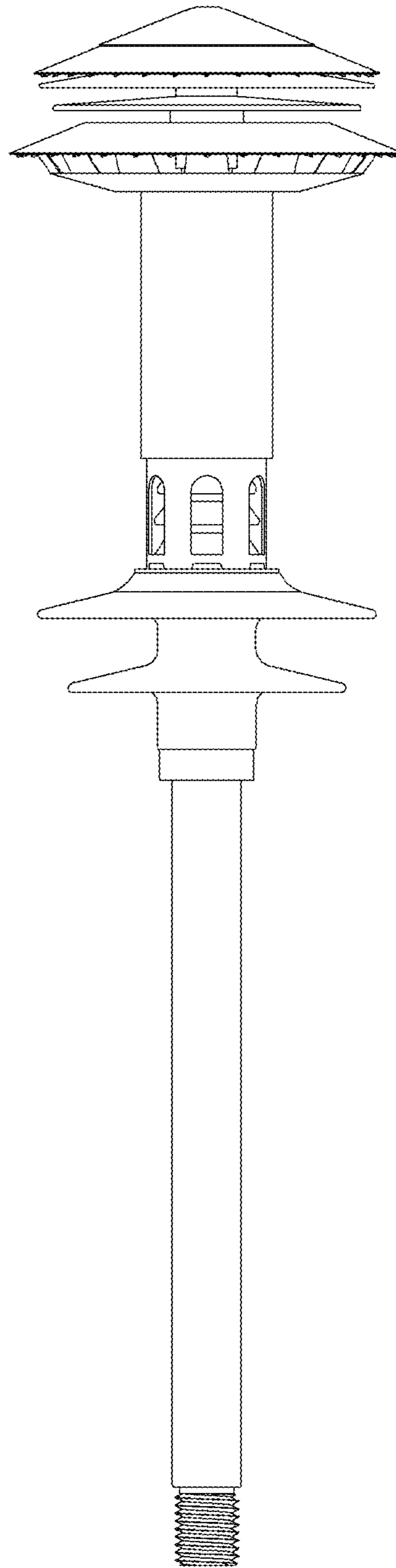


FIG. 4

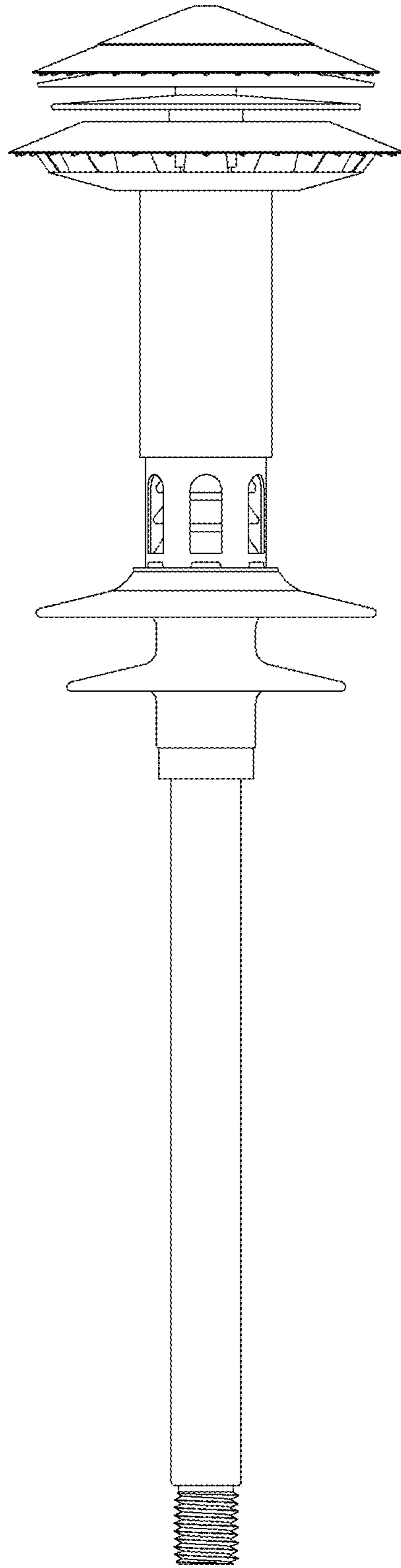
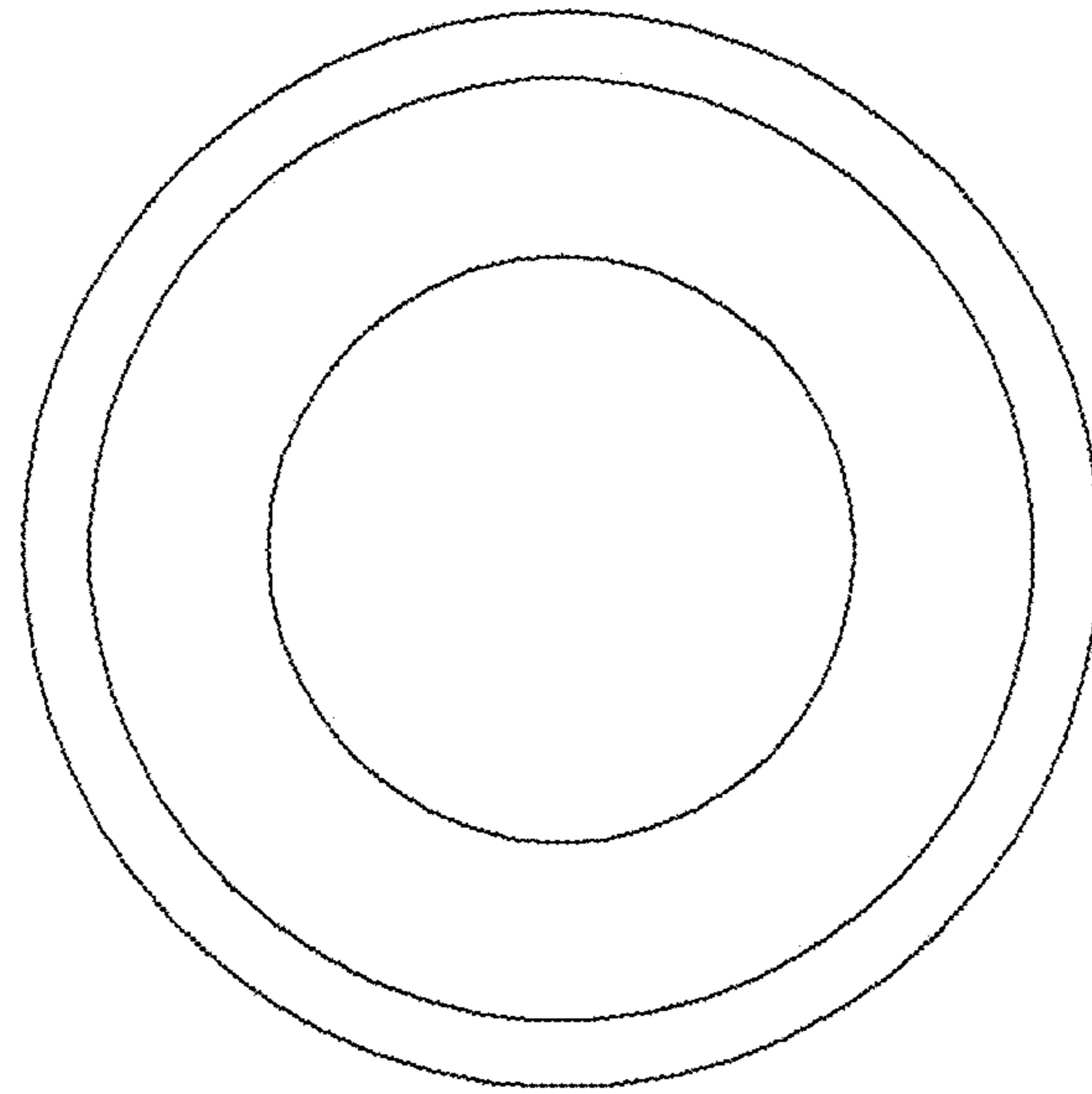
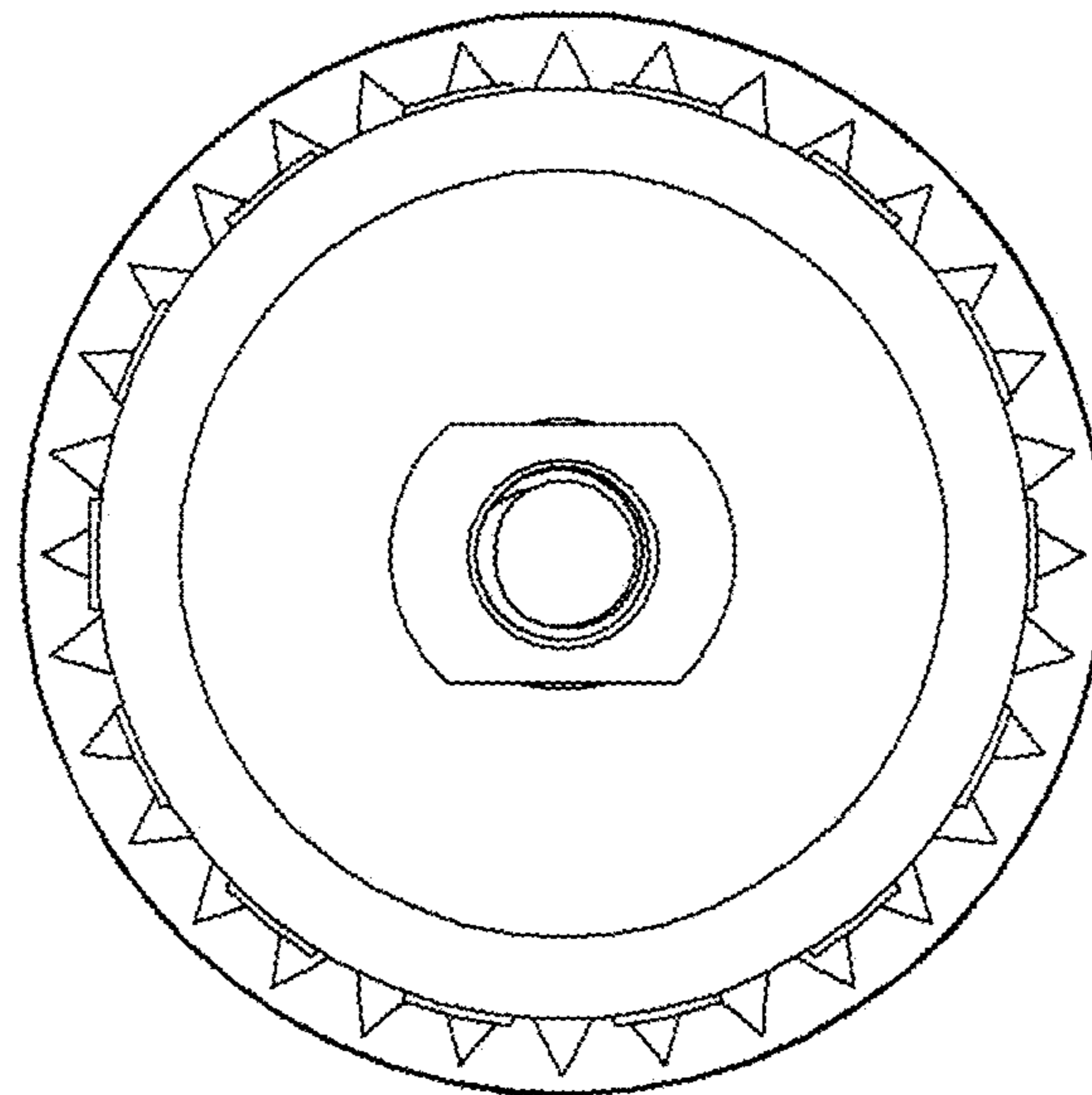


FIG. 5



**FIG. 6**



**FIG. 7**

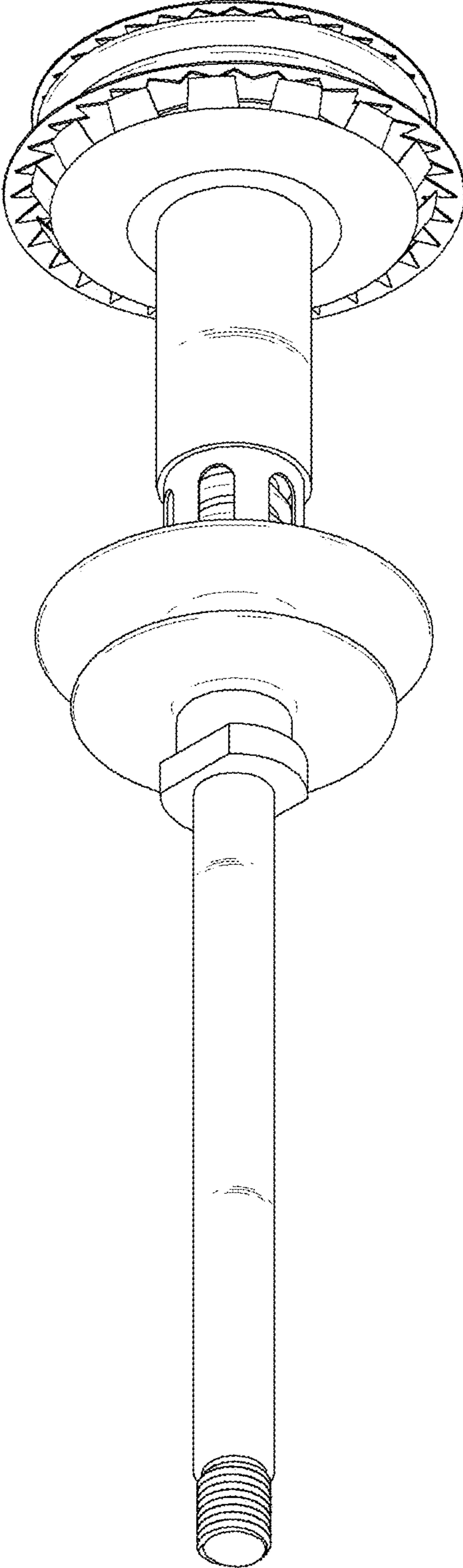


FIG. 8