



US00D889293S

(12) **United States Design Patent**  
**Troglin**

(10) **Patent No.:** **US D889,293 S**

(45) **Date of Patent:** **\*\* Jul. 7, 2020**

(54) **EXTERNAL LIQUID LEVEL TANK GAUGE**

(71) Applicant: **Troglin Tank Gauge Services, LLC**,  
Blanchard, OK (US)

(72) Inventor: **Ronnie Troglin**, Blanchard, OK (US)

(73) Assignee: **Troglin Tank Gauge Services, LLC**,  
Blanchard, OK (US)

(\*\*) Term: **15 Years**

(21) Appl. No.: **29/675,209**

(22) Filed: **Dec. 28, 2018**

(51) **LOC (12) Cl.** ..... **10-04**

(52) **U.S. Cl.**  
USPC ..... **D10/101**

(58) **Field of Classification Search**  
USPC ..... D10/101  
CPC ..... B64D 37/04; B64D 37/005; G01F 22/02;  
G01F 23/14; G01F 22/00; G01F 17/00;  
G01F 23/34; G01F 23/30; G01F 23/54;  
G01F 23/0007; F02C 7/22; F05D  
2270/3015  
See application file for complete search history.

(56) **References Cited**

**U.S. PATENT DOCUMENTS**

1,741,792 A	12/1929	Rinehart	
1,879,805 A	9/1932	Albert	
2,874,574 A	2/1959	Patureau	
2,949,777 A	8/1960	Ferron	
3,090,232 A	5/1963	Mayes	
D292,891 S *	11/1987	Frick	D10/101
5,050,432 A	9/1991	Barritt	
D334,718 S	4/1993	Basden et al.	
D507,501 S	7/2005	Morris	
7,353,704 B2	4/2008	Clanton	

D821,238 S \* 6/2018 Elmieh ..... D10/101  
2005/0235749 A1 10/2005 Morris

\* cited by examiner

*Primary Examiner* — Antoine Duval Davis

(74) *Attorney, Agent, or Firm* — Crowe & Dunlevy, P.C.

(57) **CLAIM**

The ornamental design for an external liquid level tank gauge, as shown and described.

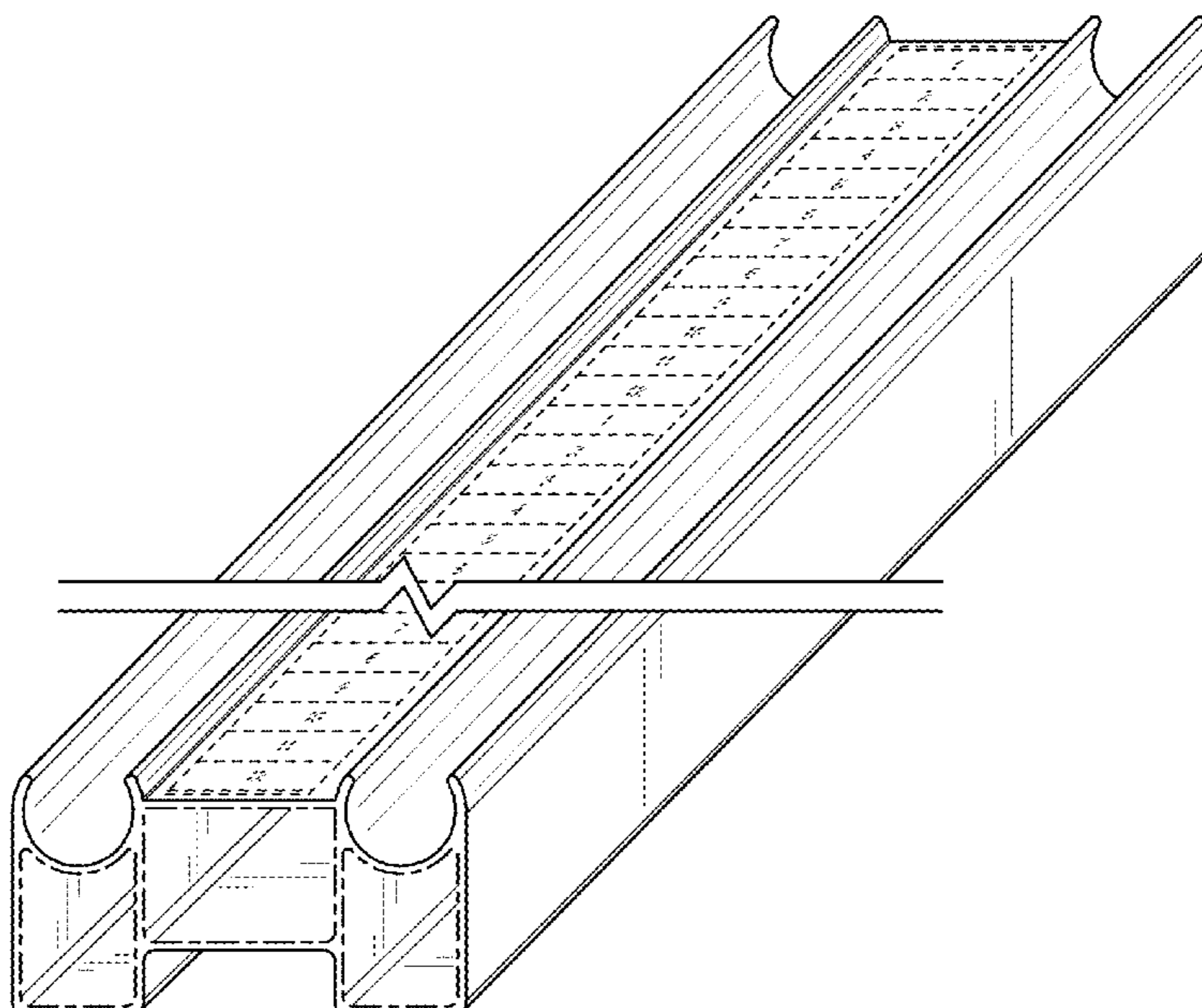
**DESCRIPTION**

FIG. 1 is a perspective view of an external liquid level tank gauge constructed in accordance with a preferred embodiment and showing the design; FIG. 2 is a front view of FIG. 1; FIG. 3 is a rear view of FIG. 1; FIG. 4 is a left view of FIG. 1; FIG. 5 is a right view of FIG. 1; FIG. 6 is a top view of FIG. 1; FIG. 7 is a bottom view of FIG. 1; FIG. 8 is a perspective view of the external liquid level tank gauge of FIG. 1 with a portion shown in dashed lines for illustrating environment only and omitted from the claim; FIG. 9 is a front view of FIG. 8; FIG. 10 is a rear view of FIG. 8; FIG. 11 is a left view of FIG. 8; FIG. 12 is a right view of FIG. 8; FIG. 13 is a top view of FIG. 8; and, FIG. 14 is a bottom view of FIG. 8.

The ornamental design which is claimed is shown in solid lines in the drawings. The dashed lines shown in the figures represent portions of the external liquid tank gauge that form no part of the claimed design.

The article is shown with a symbolic break in its length. The appearance of any portion of the article between the break lines forms no part of the claimed design.

**1 Claim, 14 Drawing Sheets**



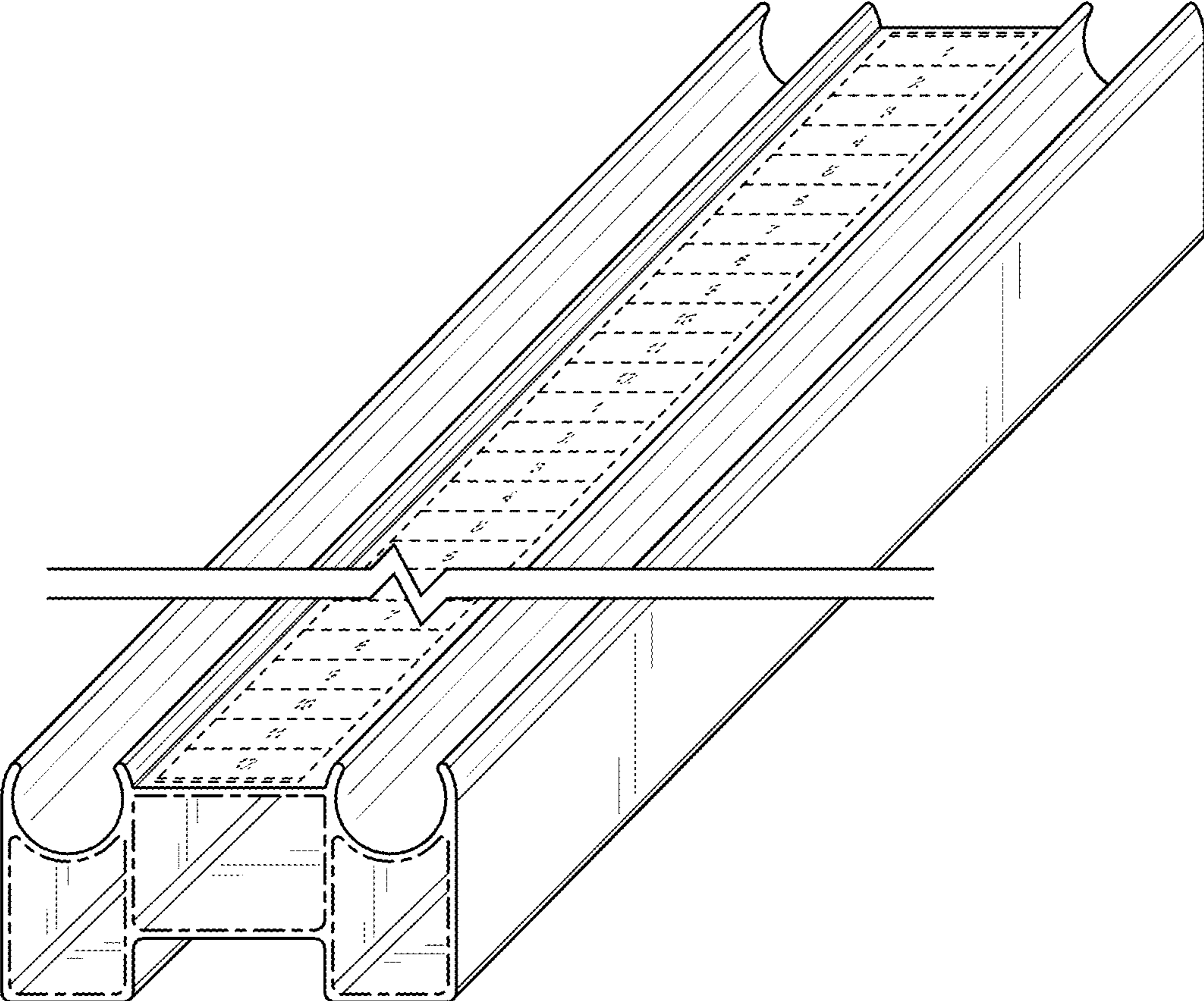


FIG. 1

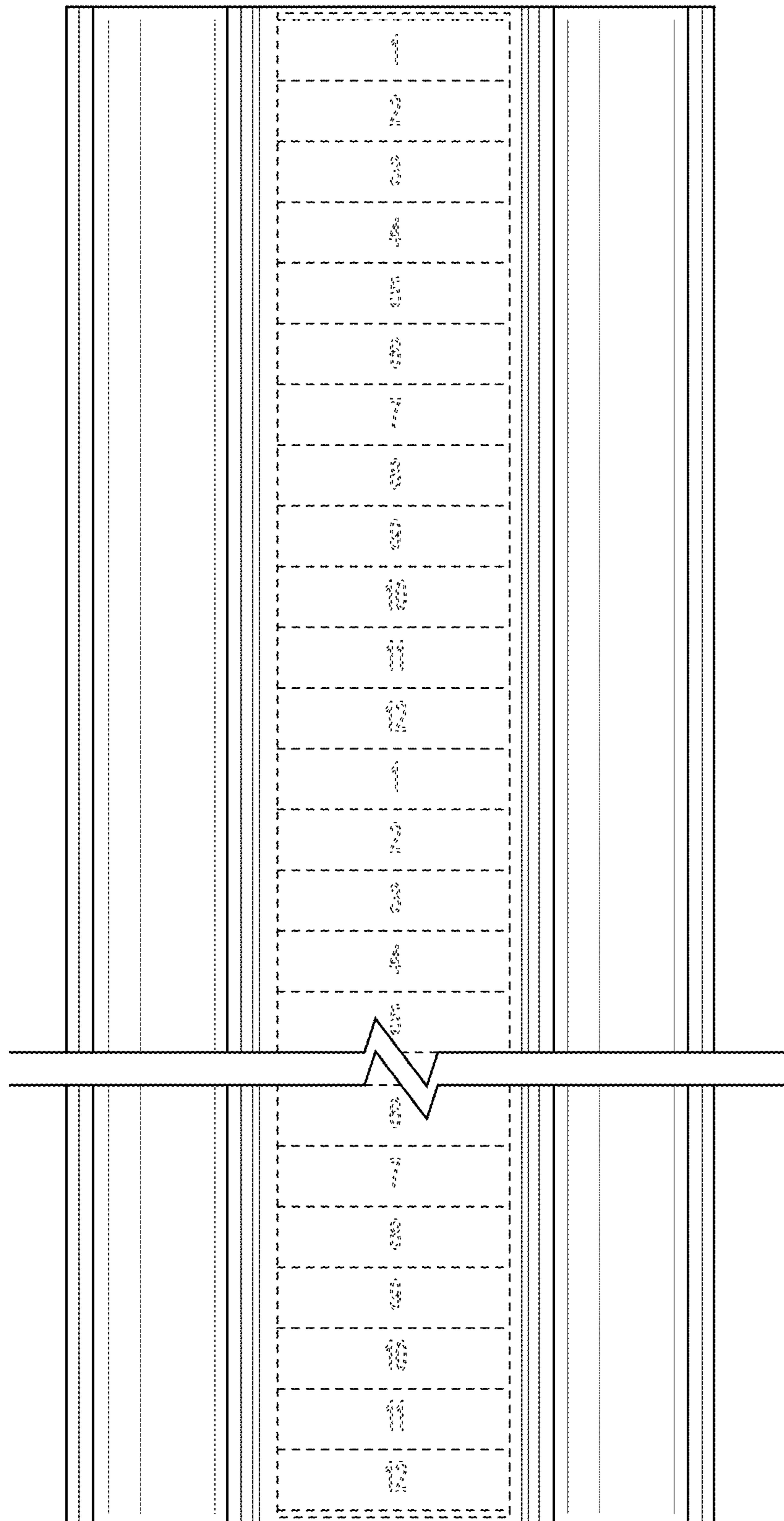


FIG. 2

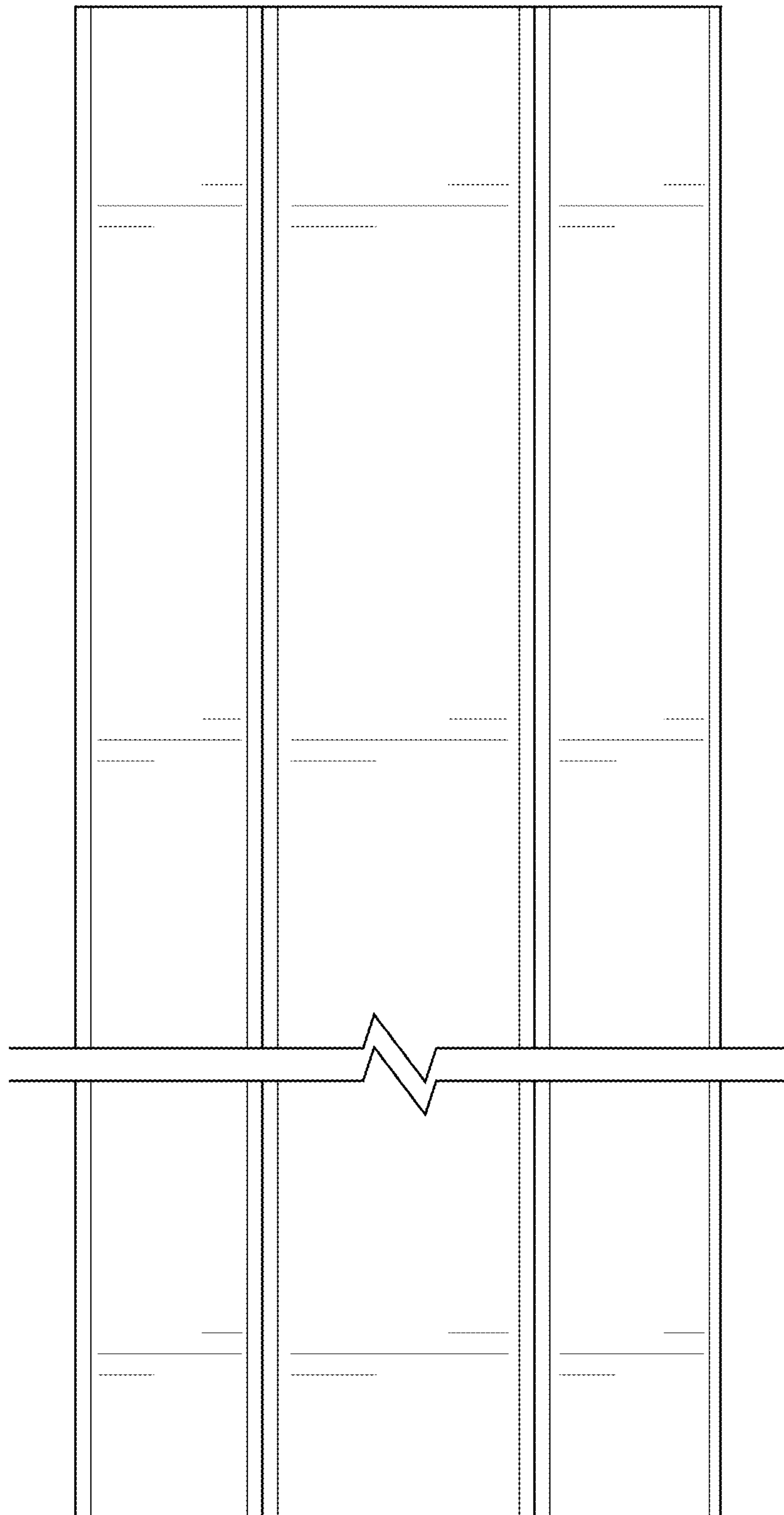


FIG. 3

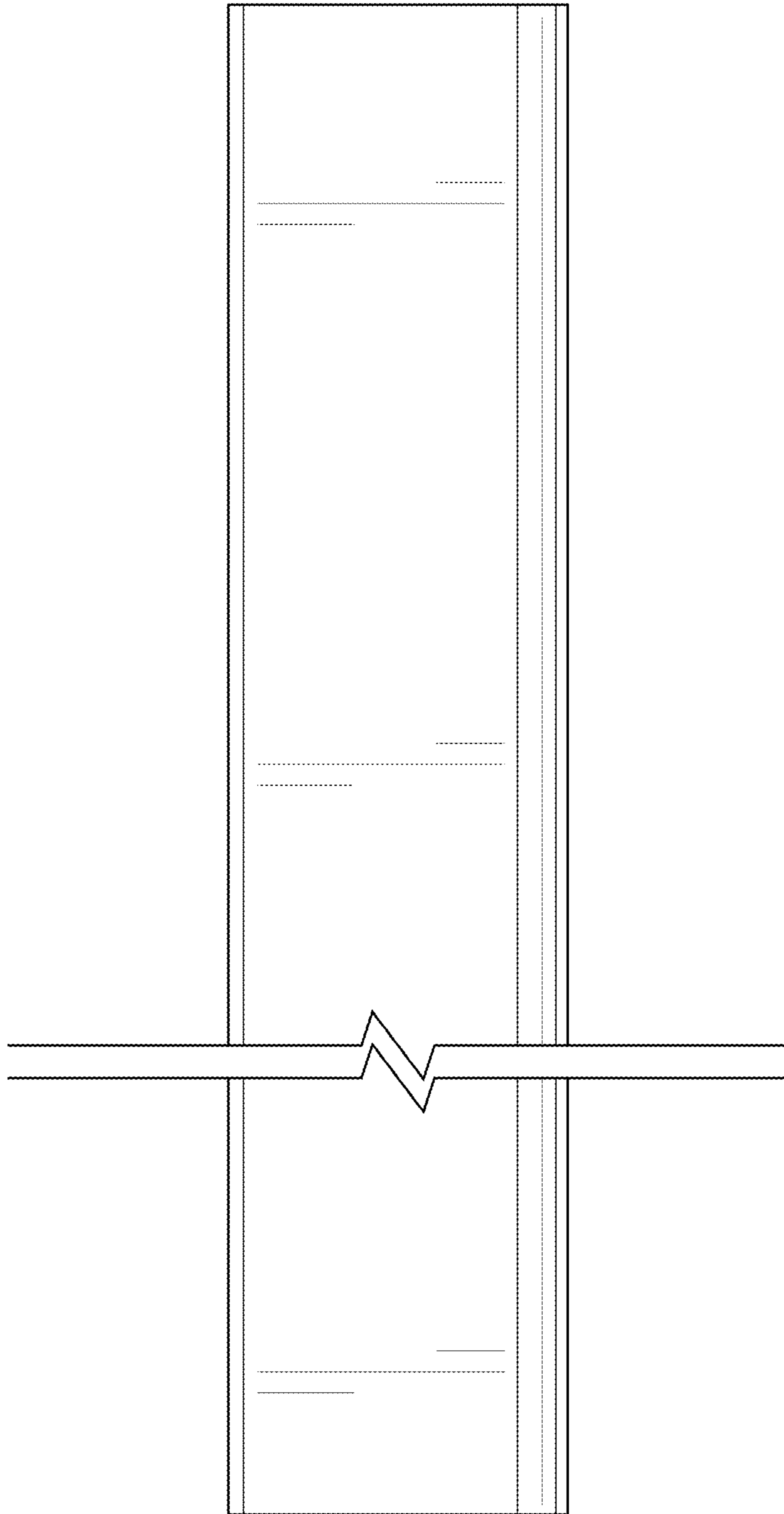


FIG. 4

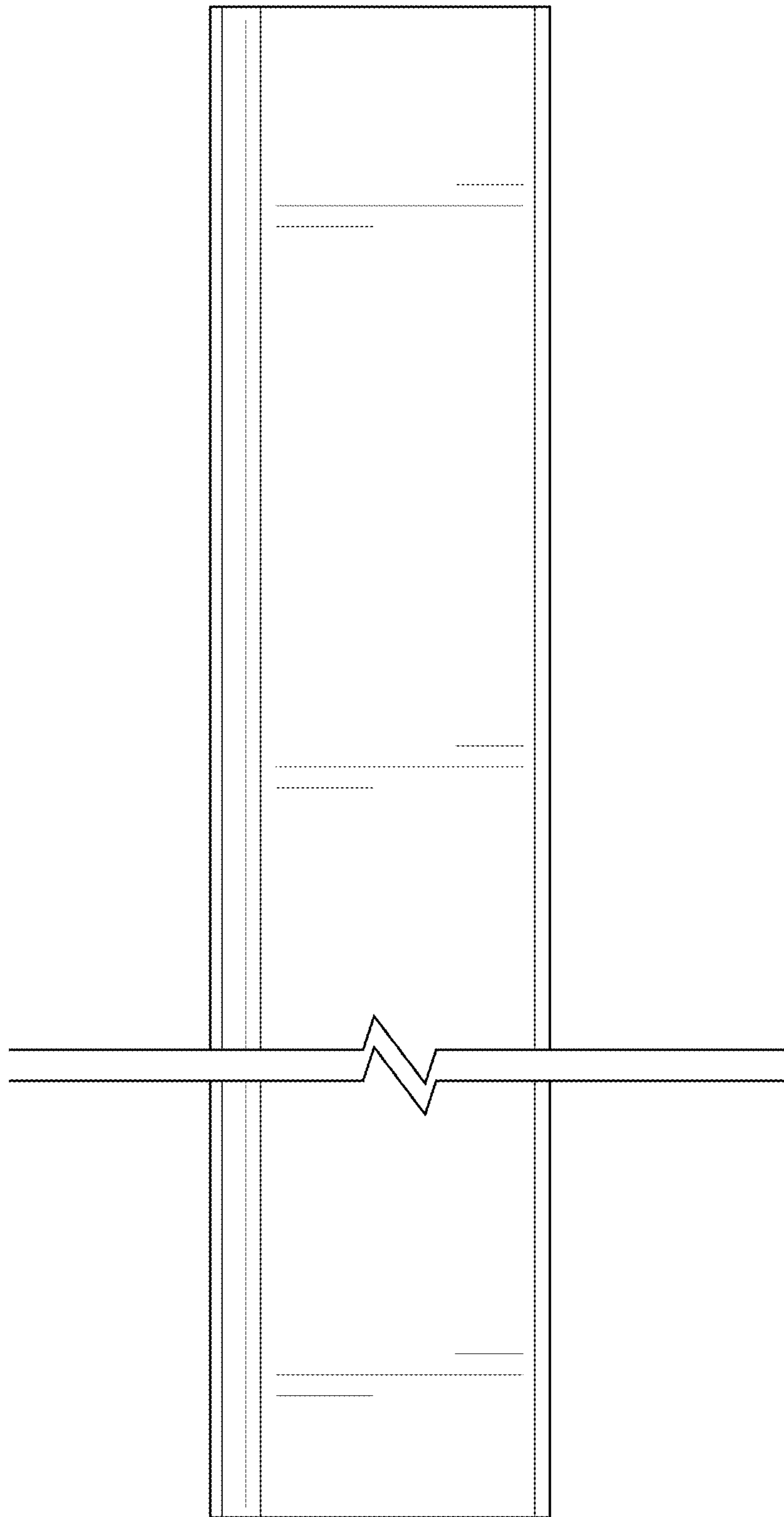


FIG. 5

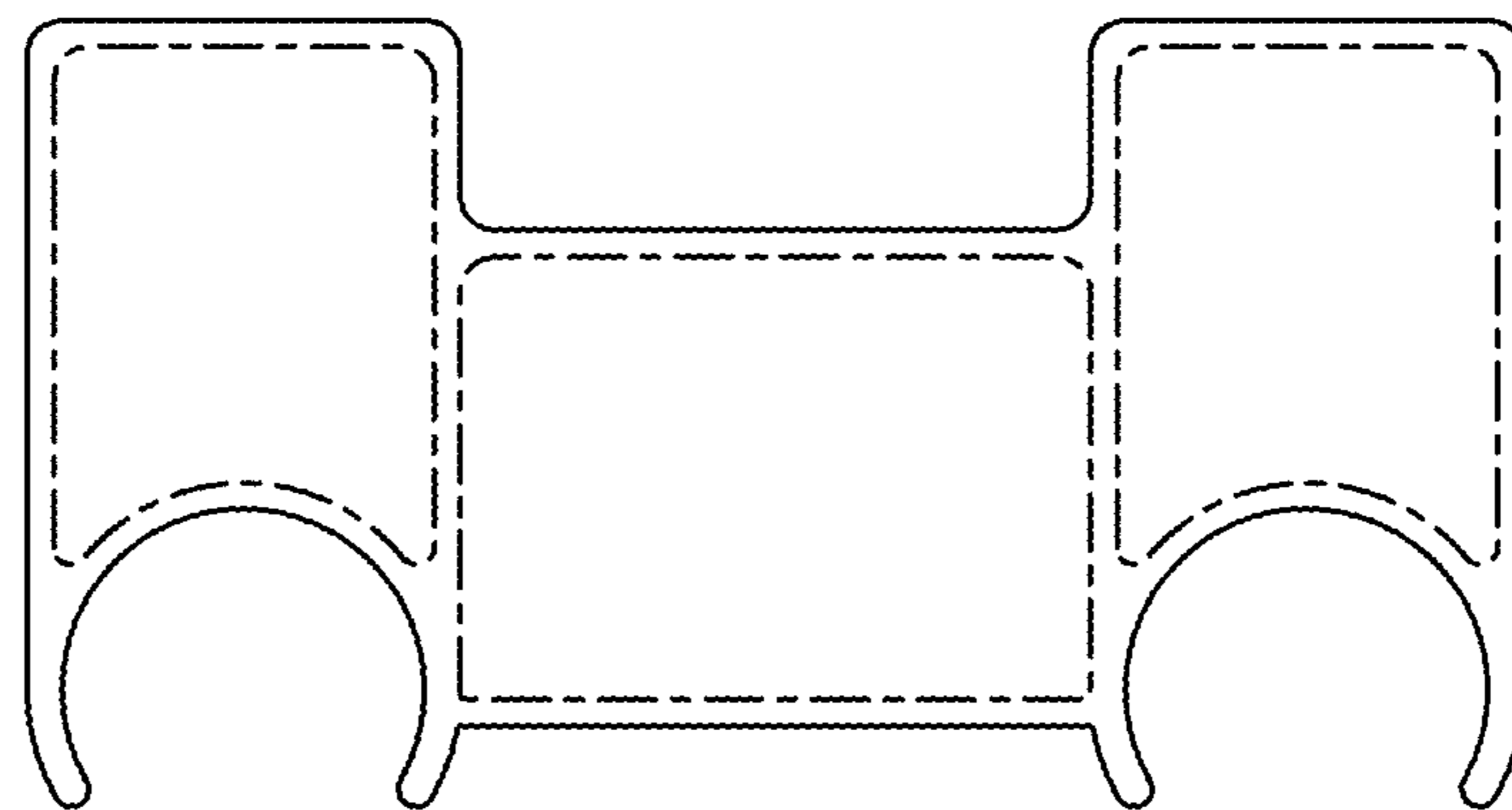


FIG. 6

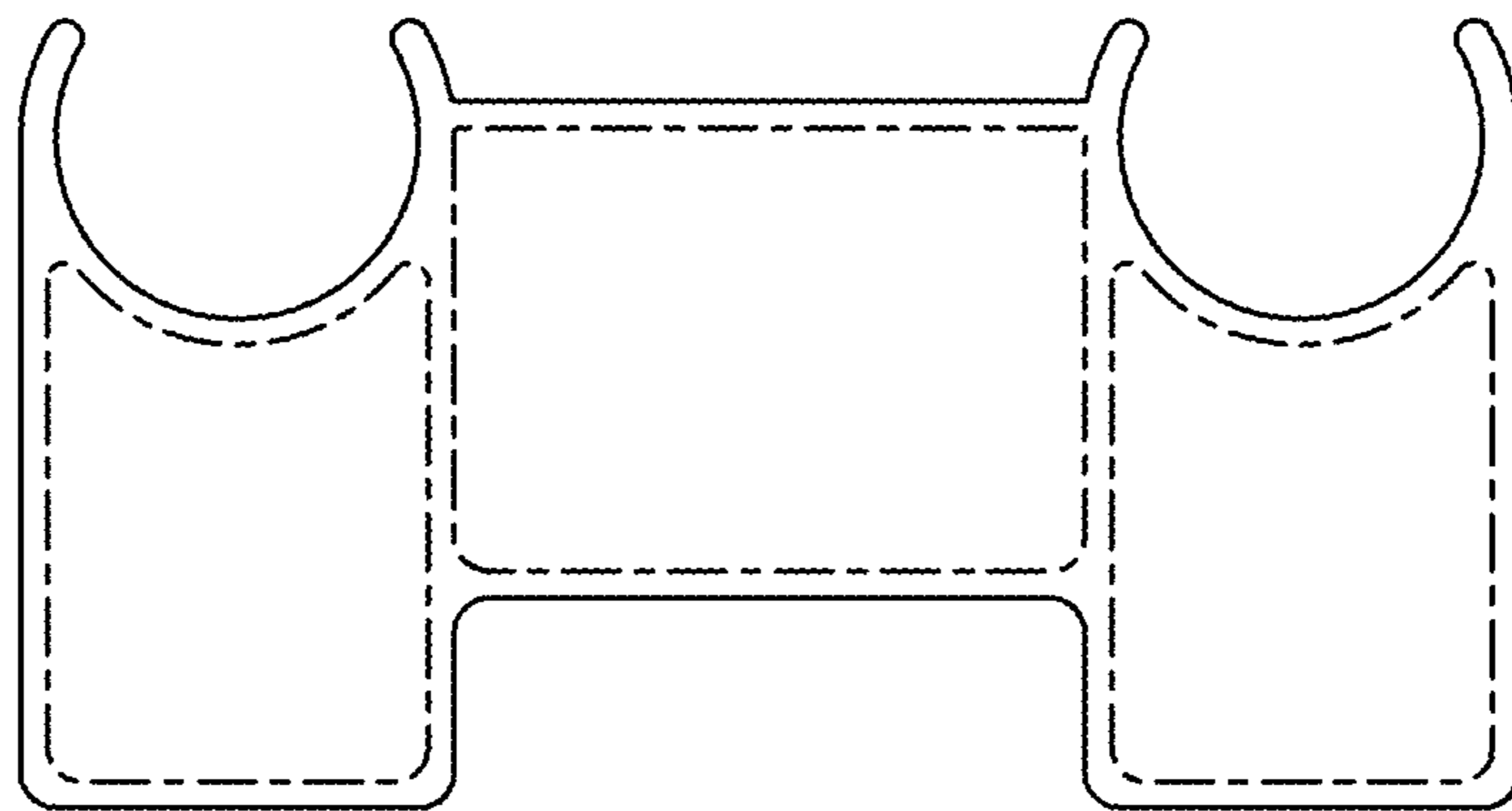


FIG. 7



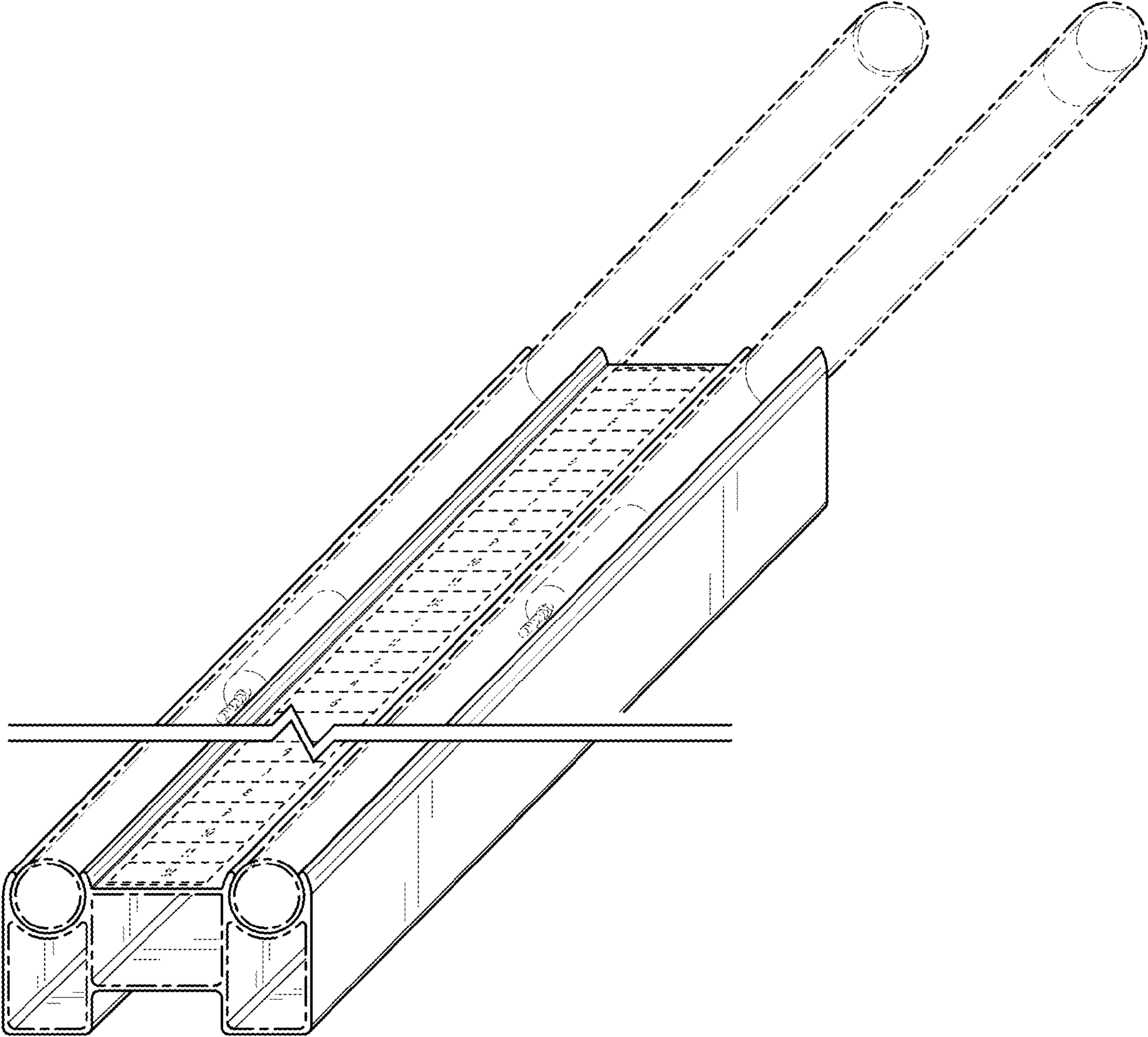


FIG. 8

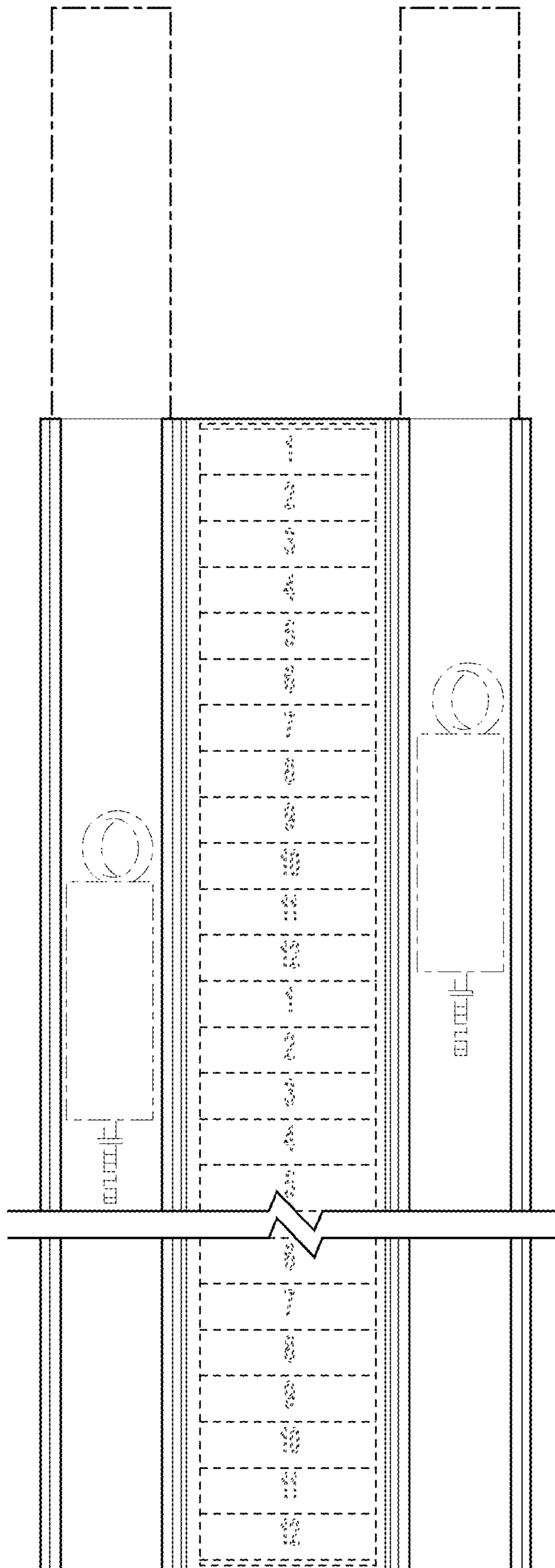


FIG. 9

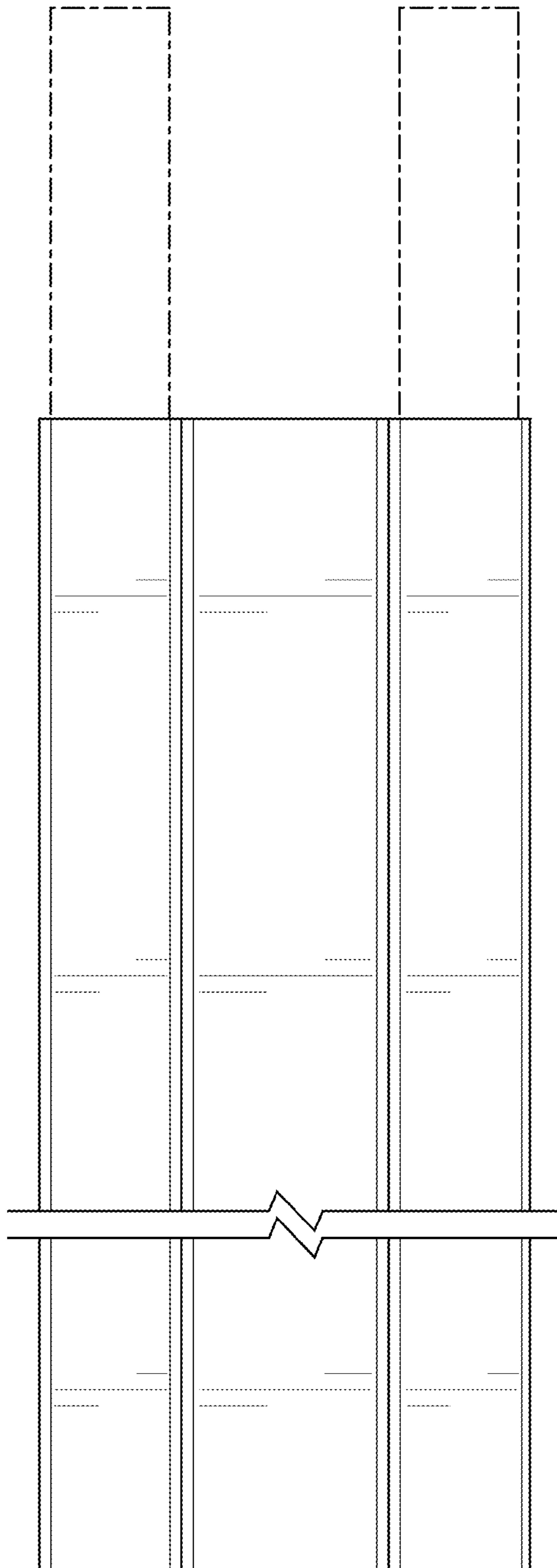


FIG. 10

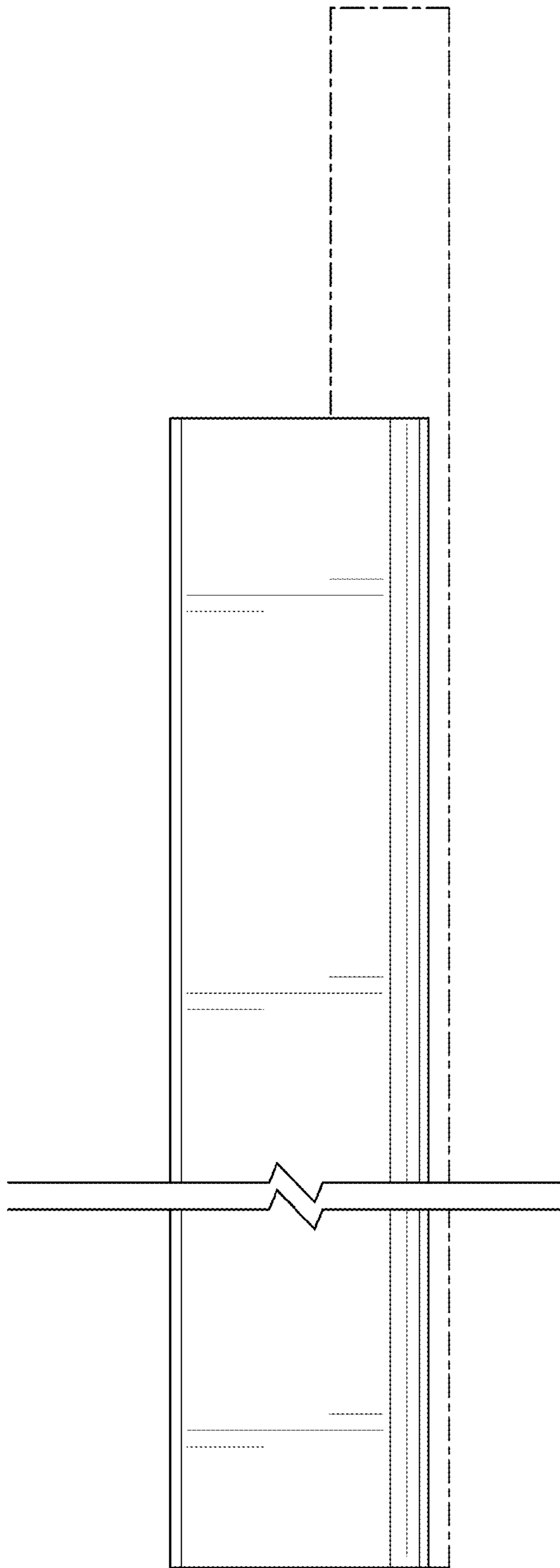


FIG. 11

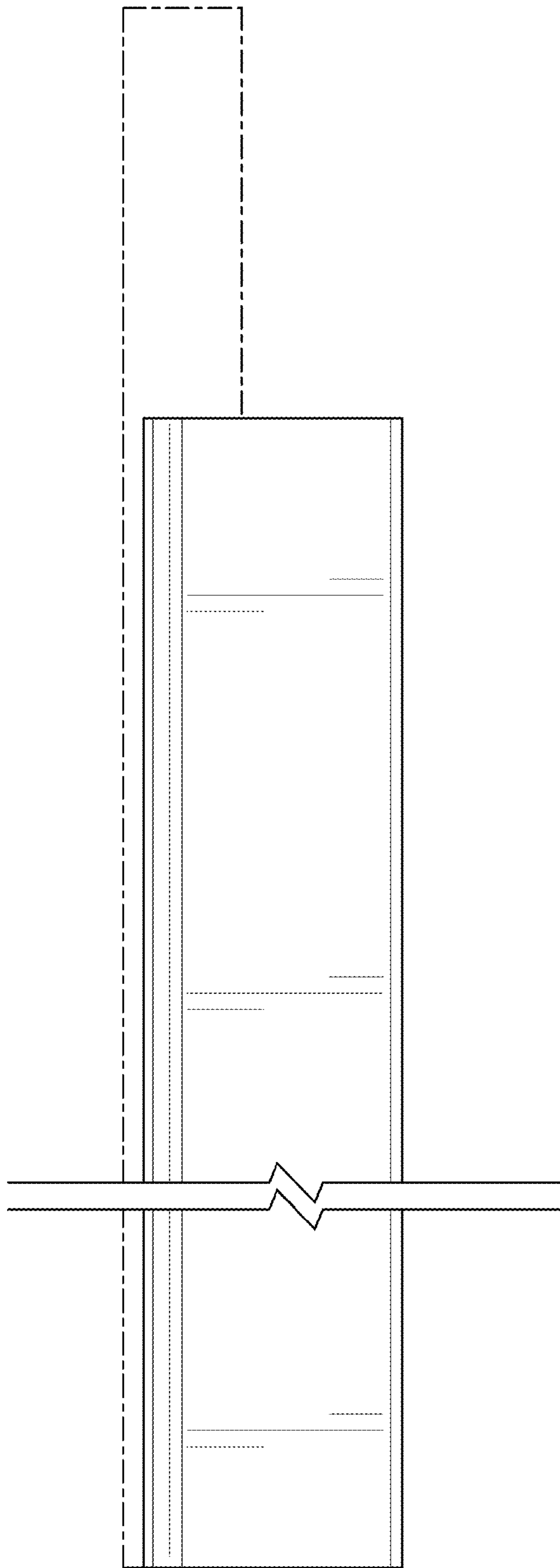


FIG. 12

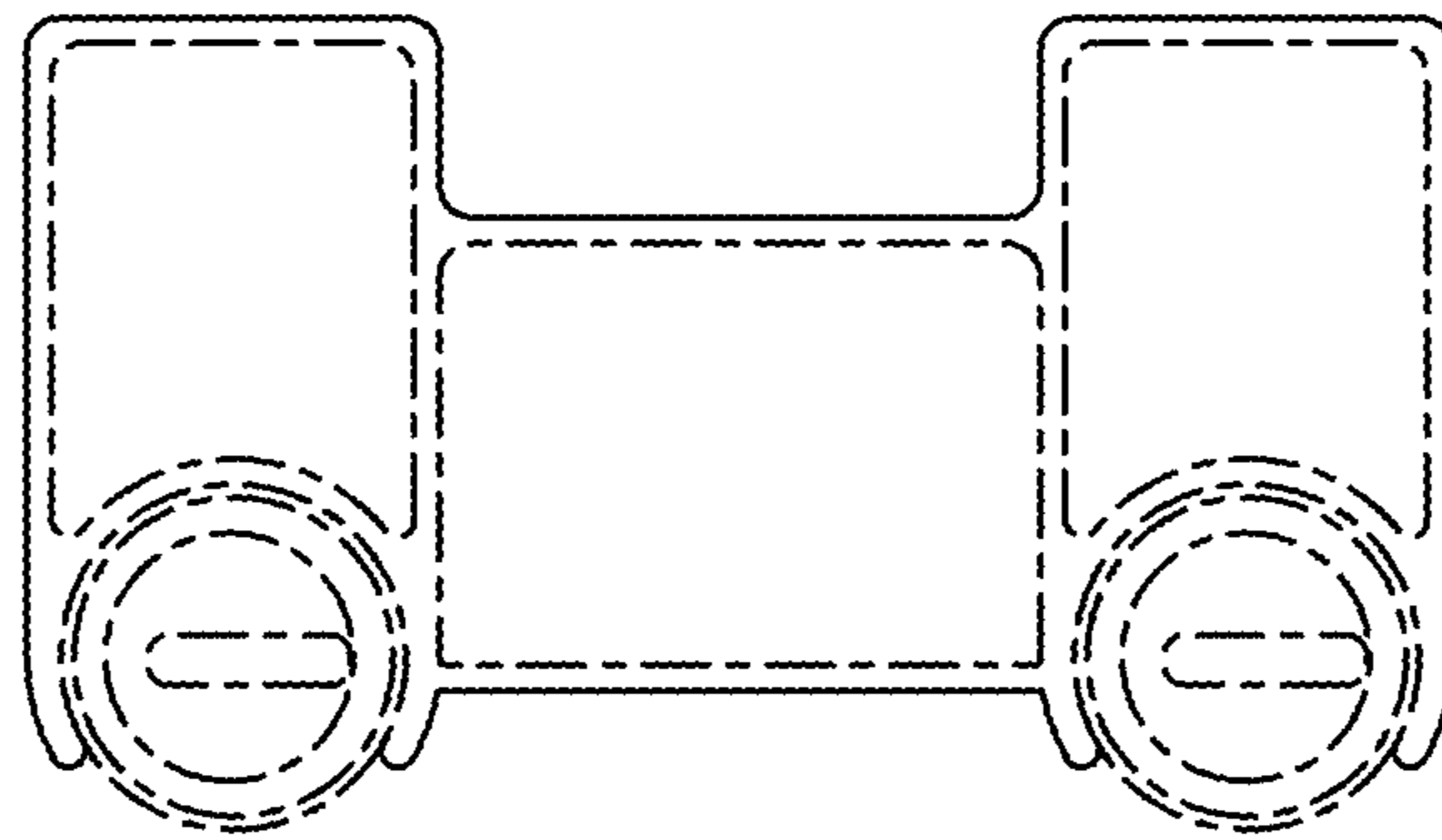


FIG. 13

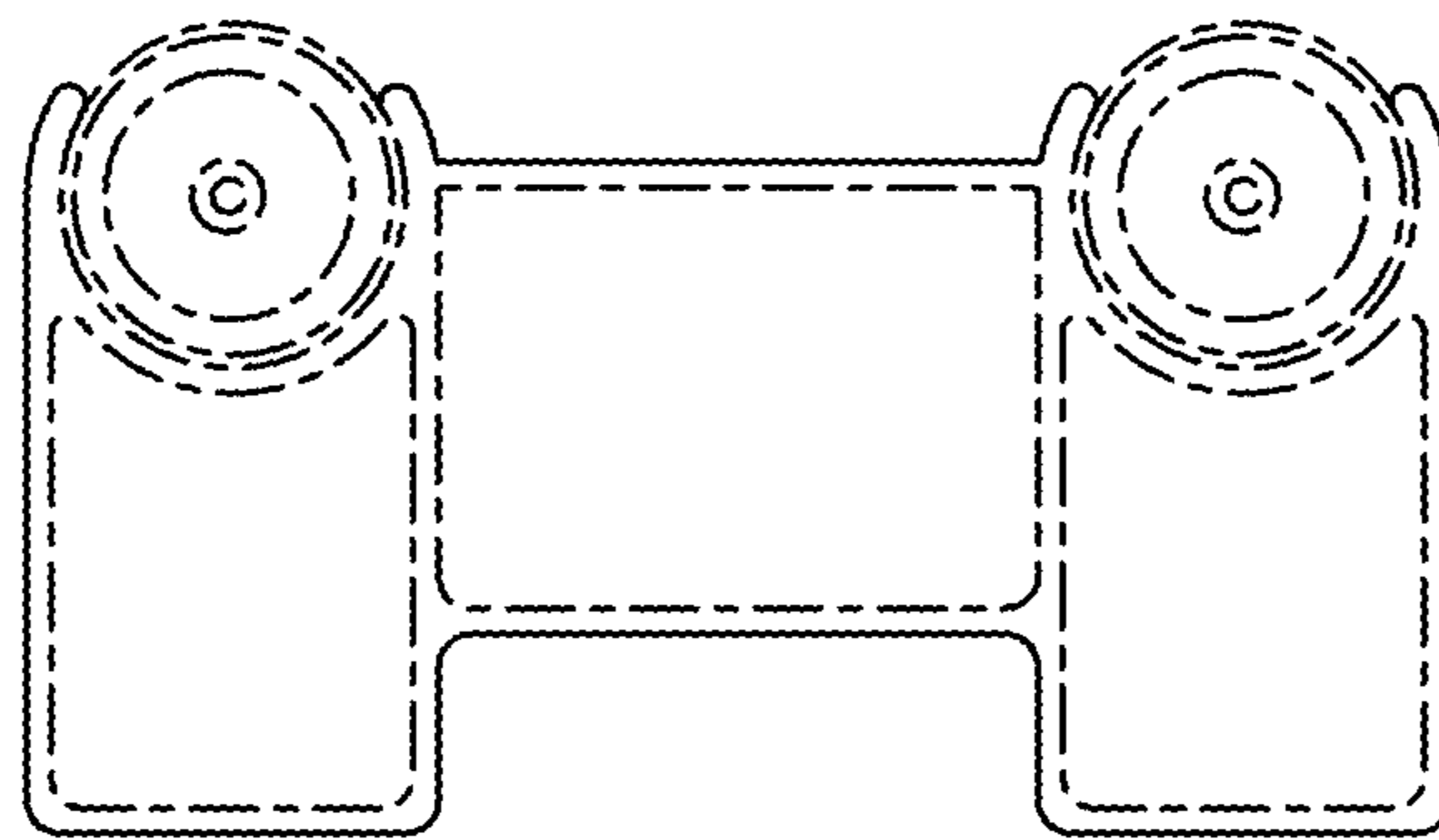


FIG. 14