



US00D889292S

(12) **United States Design Patent**
Nie et al.

(10) **Patent No.:** **US D889,292 S**
(45) **Date of Patent:** **** Jul. 7, 2020**

(54) **PIEZOELECTRIC ACCELERATION SENSOR
BOLTED AND CONNECTED**

(71) Applicant: **FATRI (XIAMEN) TECHNOLOGIES
CO., LTD.**, Xiamen (CN)

(72) Inventors: **Yongzhong Nie**, Xiamen (CN);
Tingfang Zeng, Xiamen (CN)

(**) Term: **15 Years**

(21) Appl. No.: **29/666,770**

(22) Filed: **Oct. 16, 2018**

(30) **Foreign Application Priority Data**

Apr. 16, 2018 (CN) 2018 3 0154507

(51) **LOC (12) Cl.** **10-04**

(52) **U.S. Cl.**
USPC **D10/96; D10/98; D8/81**

(58) **Field of Classification Search**
USPC D10/96, 98; D8/27, 29, 70, 75, 81;
D15/140

CPC G01P 15/08; G01P 15/0802; G01P 15/09;
G01P 15/0915

See application file for complete search history.

(56) **References Cited**

U.S. PATENT DOCUMENTS

3,591,861 A * 7/1971 Sonderegger G01L 1/16
310/344
4,075,525 A * 2/1978 Birchall G01L 1/16
310/329

* cited by examiner

Primary Examiner — Antoine Duval Davis

(74) *Attorney, Agent, or Firm* — W&K IP

(57) **CLAIM**

The ornamental design for a piezoelectric acceleration sensor bolted and connected, as shown and described.

DESCRIPTION

FIG. 1 is a top view of piezoelectric acceleration sensor bolted and connected;

FIG. 2 is a bottom view thereof;

FIG. 3 is a right side view thereof;

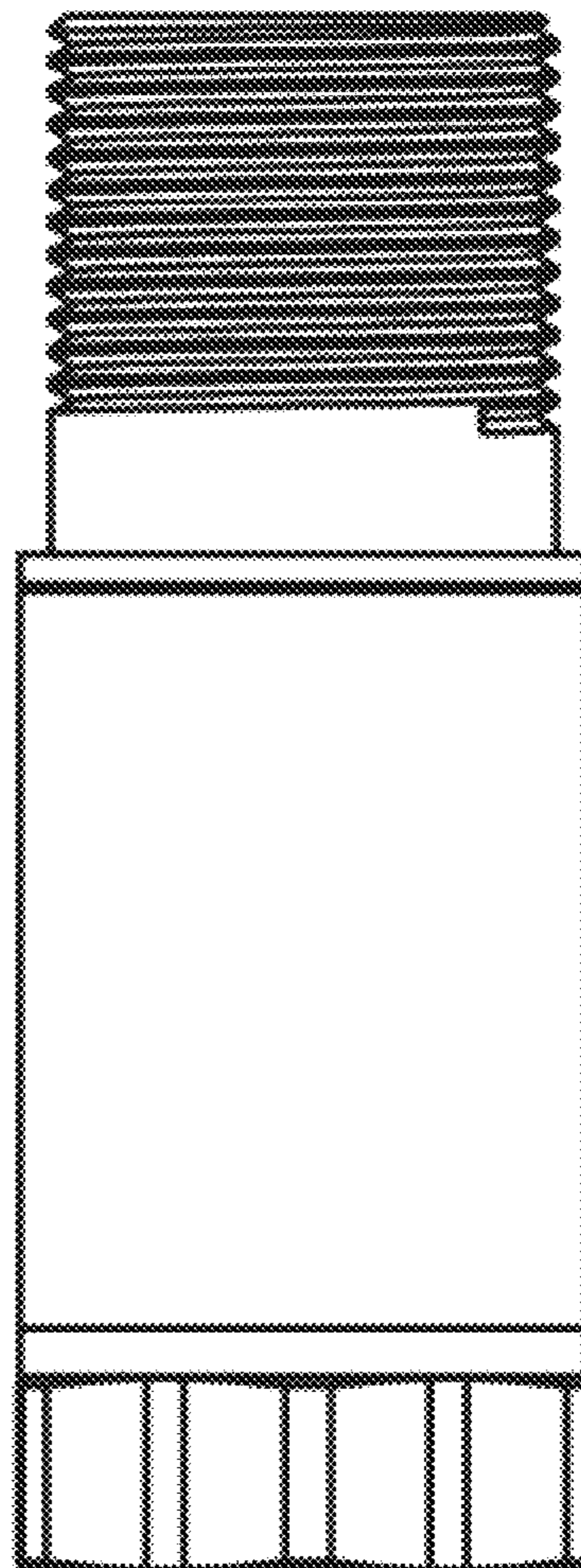
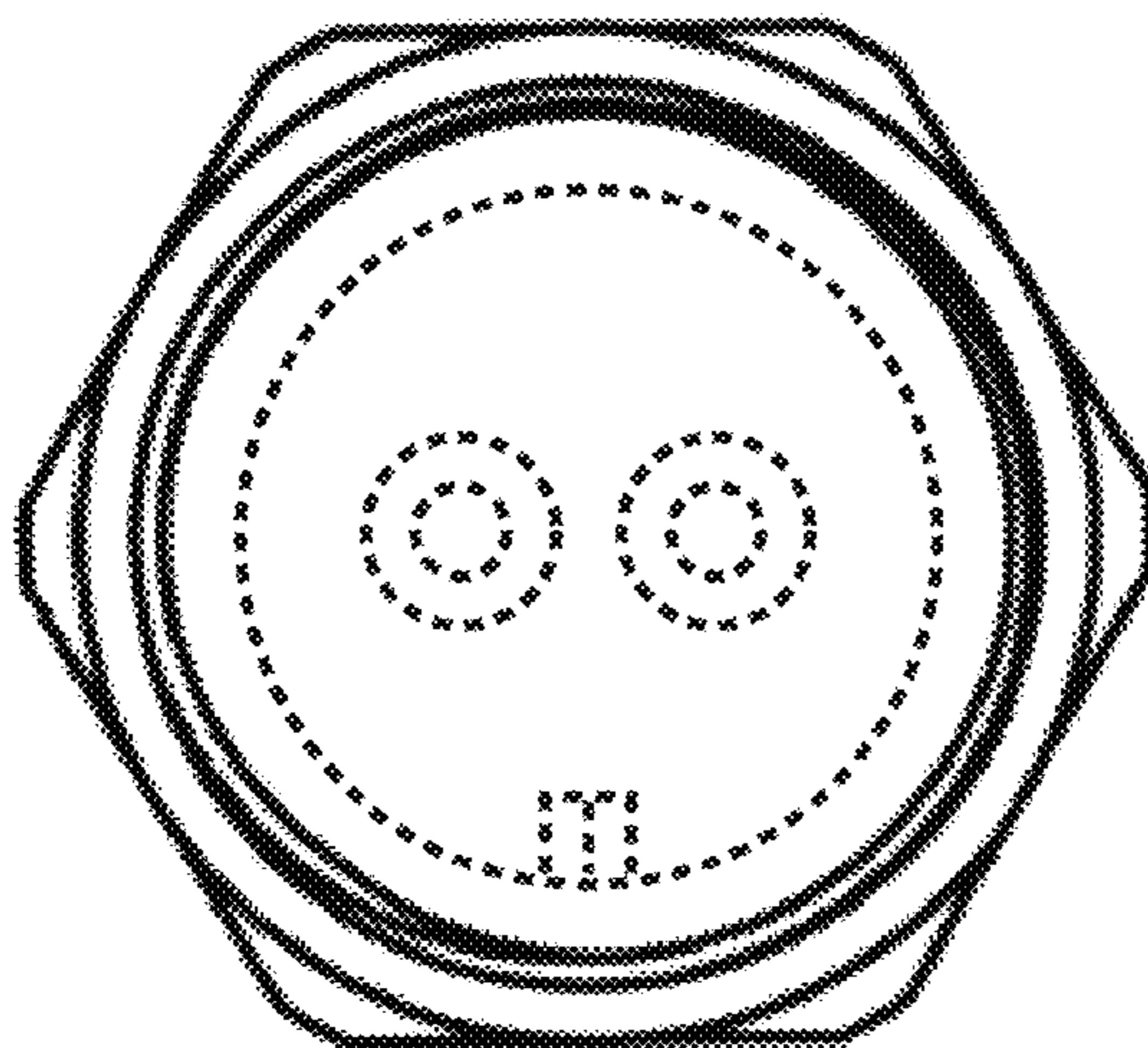
FIG. 4 is a left side view thereof;

FIG. 5 is a front side view thereof;

FIG. 6 is a rear side view thereof; and,

FIG. 7 is a three-dimensional view thereof.

1 Claim, 7 Drawing Sheets



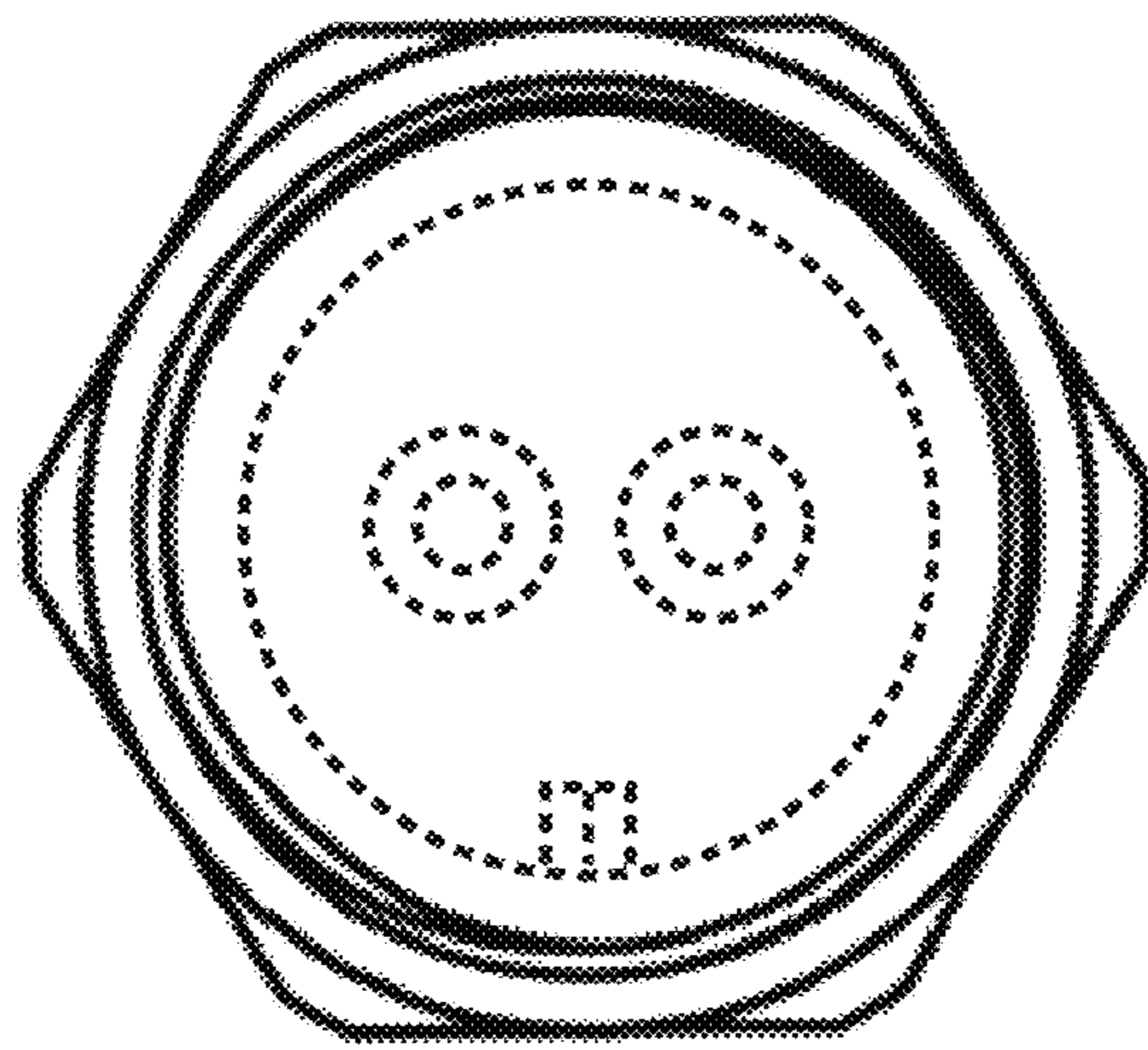


Fig. 1

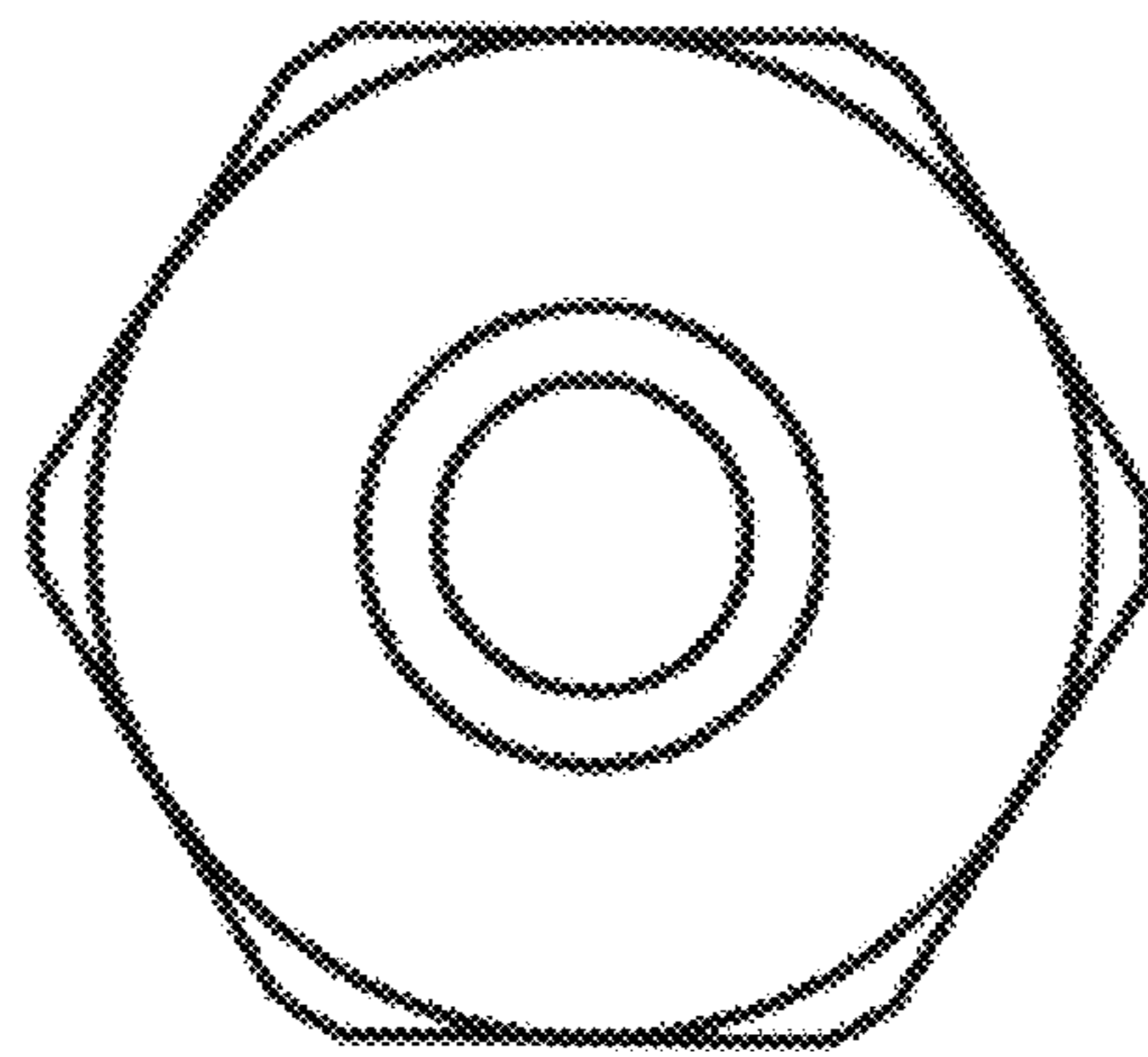


Fig. 2

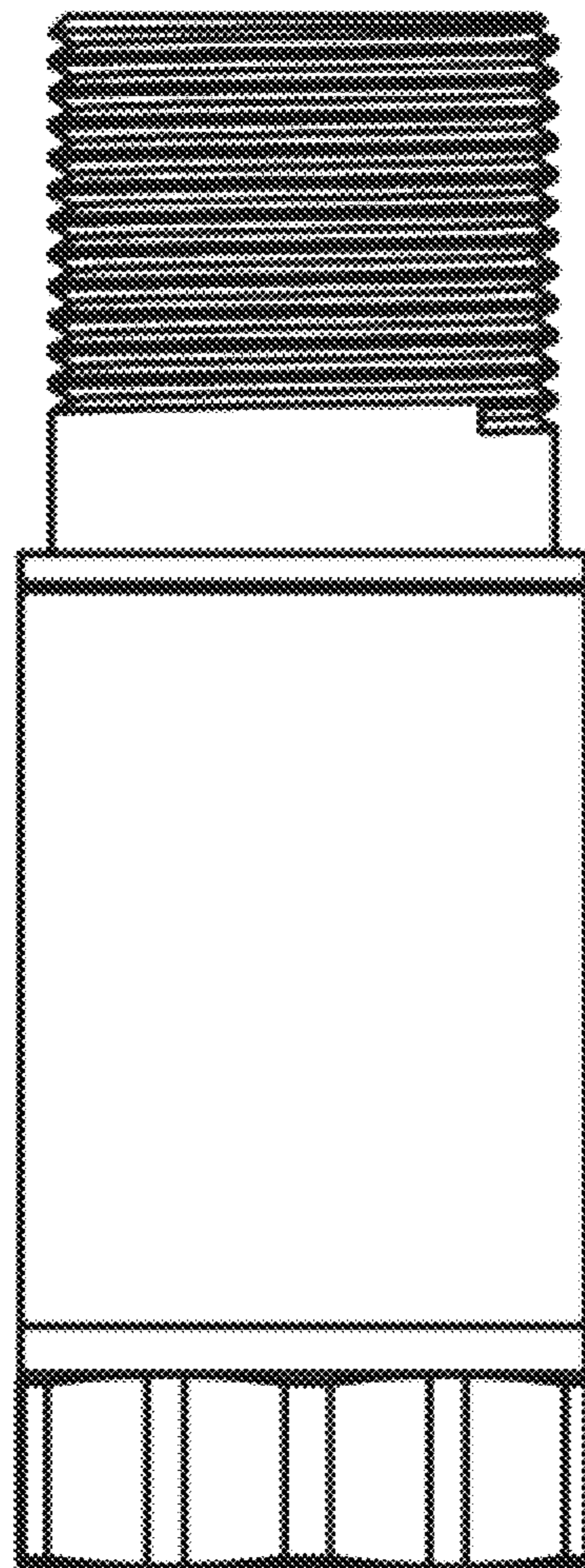


Fig. 3

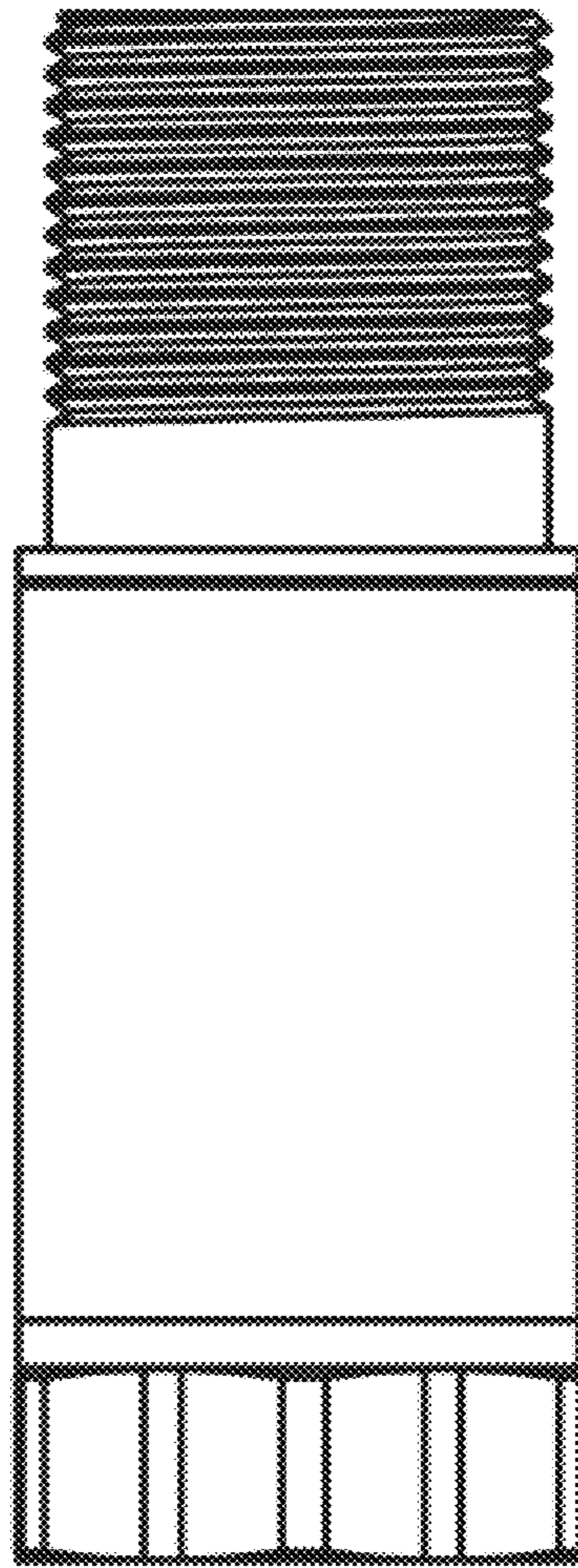


Fig. 4

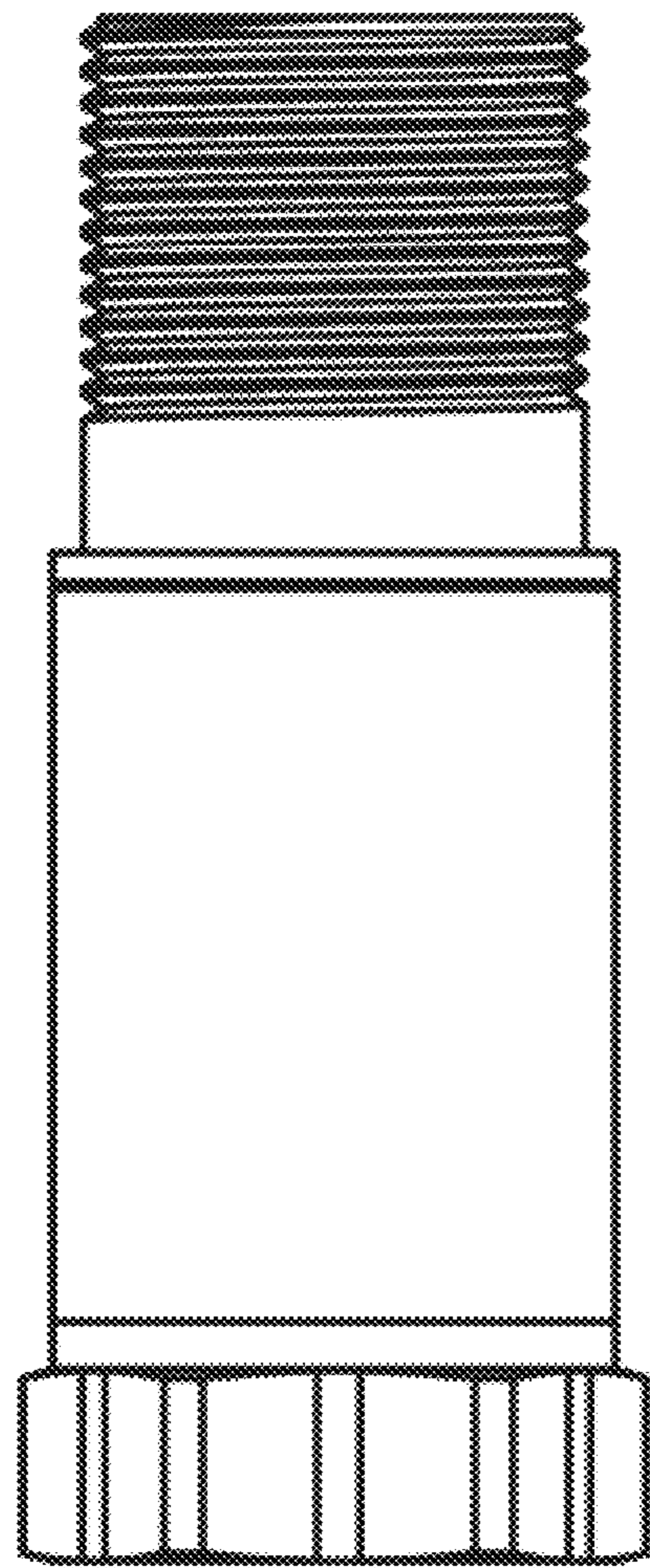


Fig. 5

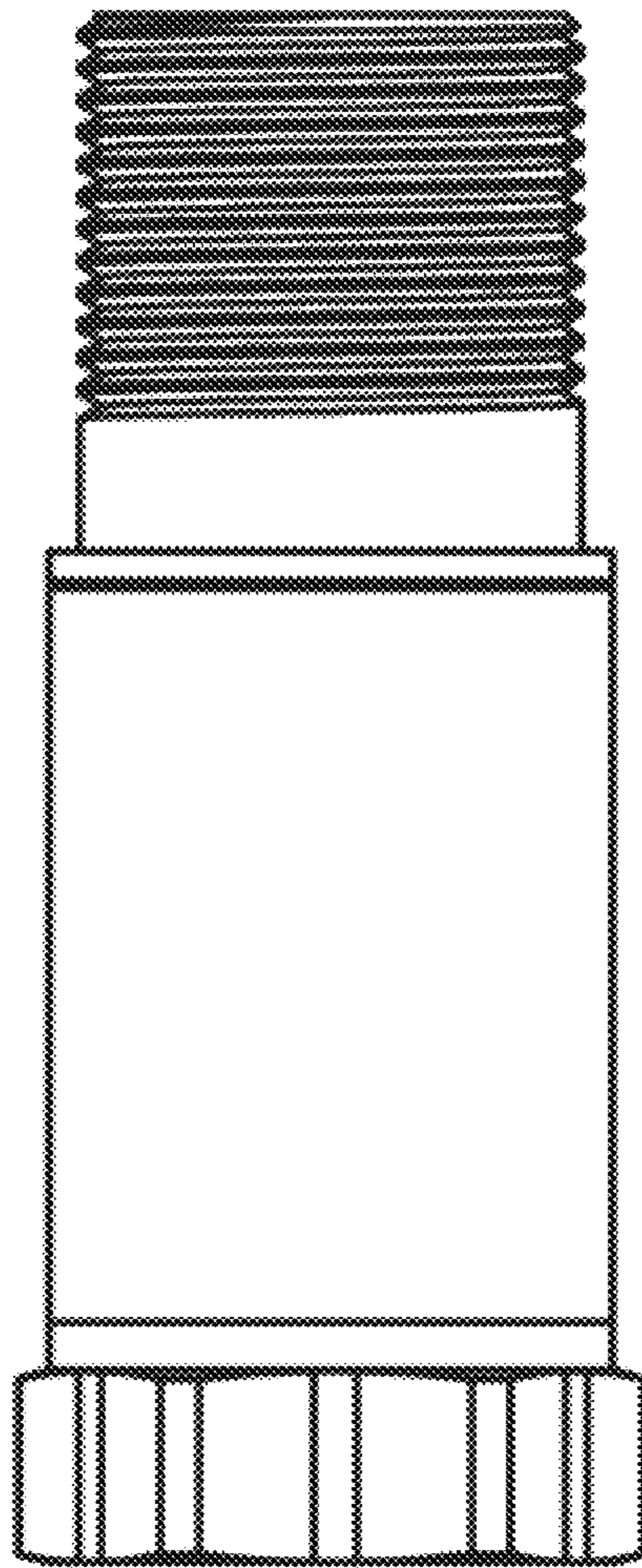


Fig. 6

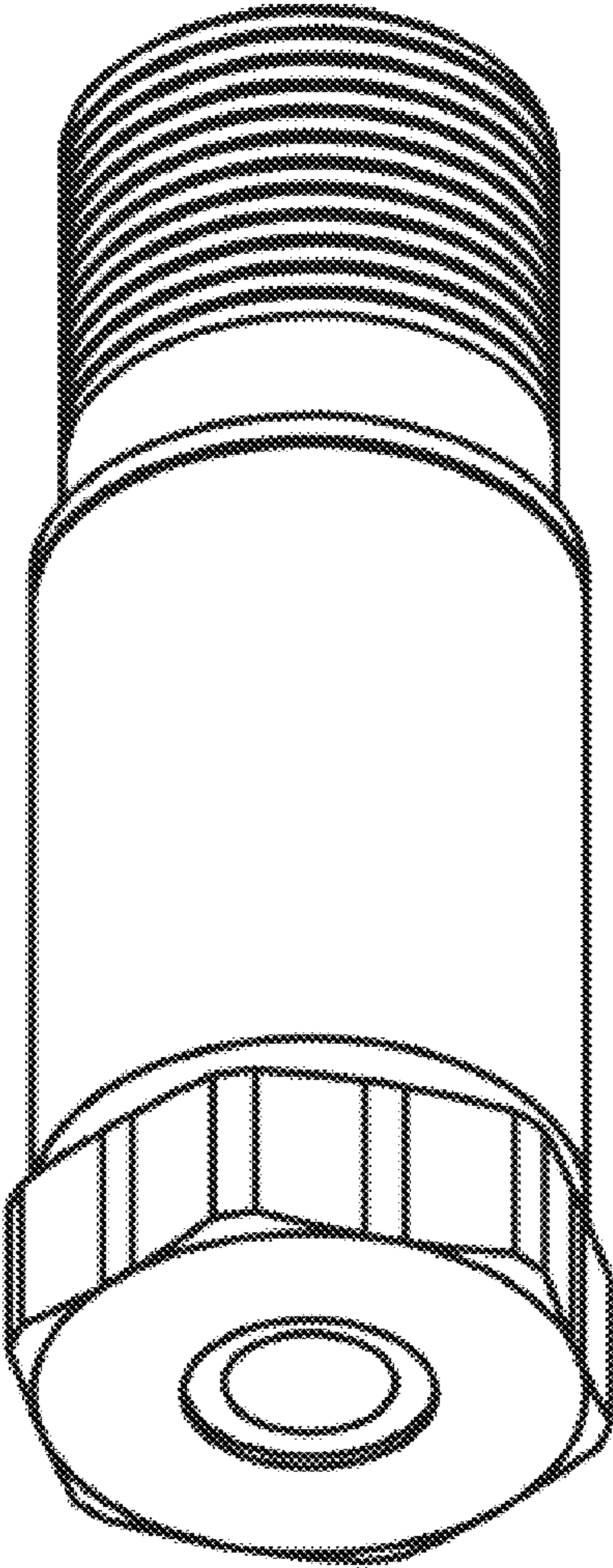


Fig. 7