



US00D889291S

(12) **United States Design Patent** (10) **Patent No.:** **US D889,291 S**
Muller, Jr. et al. (45) **Date of Patent:** **** Jul. 7, 2020**

(54) **SENSOR**

(71) Applicant: **PETASENSE, INC.**, San Jose, CA (US)

(72) Inventors: **Peter H. Muller, Jr.**, Portland, OR (US); **Harsha Mokkarla**, Los Alto Hills, CA (US); **Abhinav Khushraj**, San Jose, CA (US); **Arun Santhebennur**, Cupertino, CA (US); **Simon Xu**, San Francisco, CA (US)

(73) Assignee: **PETASENSE INC.**, San Jose, CA (US)

(*) Notice: This patent is subject to a terminal disclaimer.

(**) Term: **15 Years**

(21) Appl. No.: **29/620,644**

(22) Filed: **Mar. 31, 2017**

(51) **LOC (12) Cl.** **10-04**

(52) **U.S. Cl.**
USPC **D10/83**

(58) **Field of Classification Search**
USPC D10/46, 75, 83, 84, 85
CPC G01D 11/245; G01D 11/30; F16C 19/52; F16C 19/522; F16C 19/525; F16C 19/527; G01H 1/00; G01H 1/003
See application file for complete search history.

(56) **References Cited**

U.S. PATENT DOCUMENTS

D270,819 S * 10/1983 Simons D10/83
7,240,576 B1 * 7/2007 Perry G01D 11/245
73/866.5
D722,276 S * 2/2015 Lin D10/85

* cited by examiner

Primary Examiner — Antoine Duval Davis
(74) *Attorney, Agent, or Firm* — IPR Law Group PC

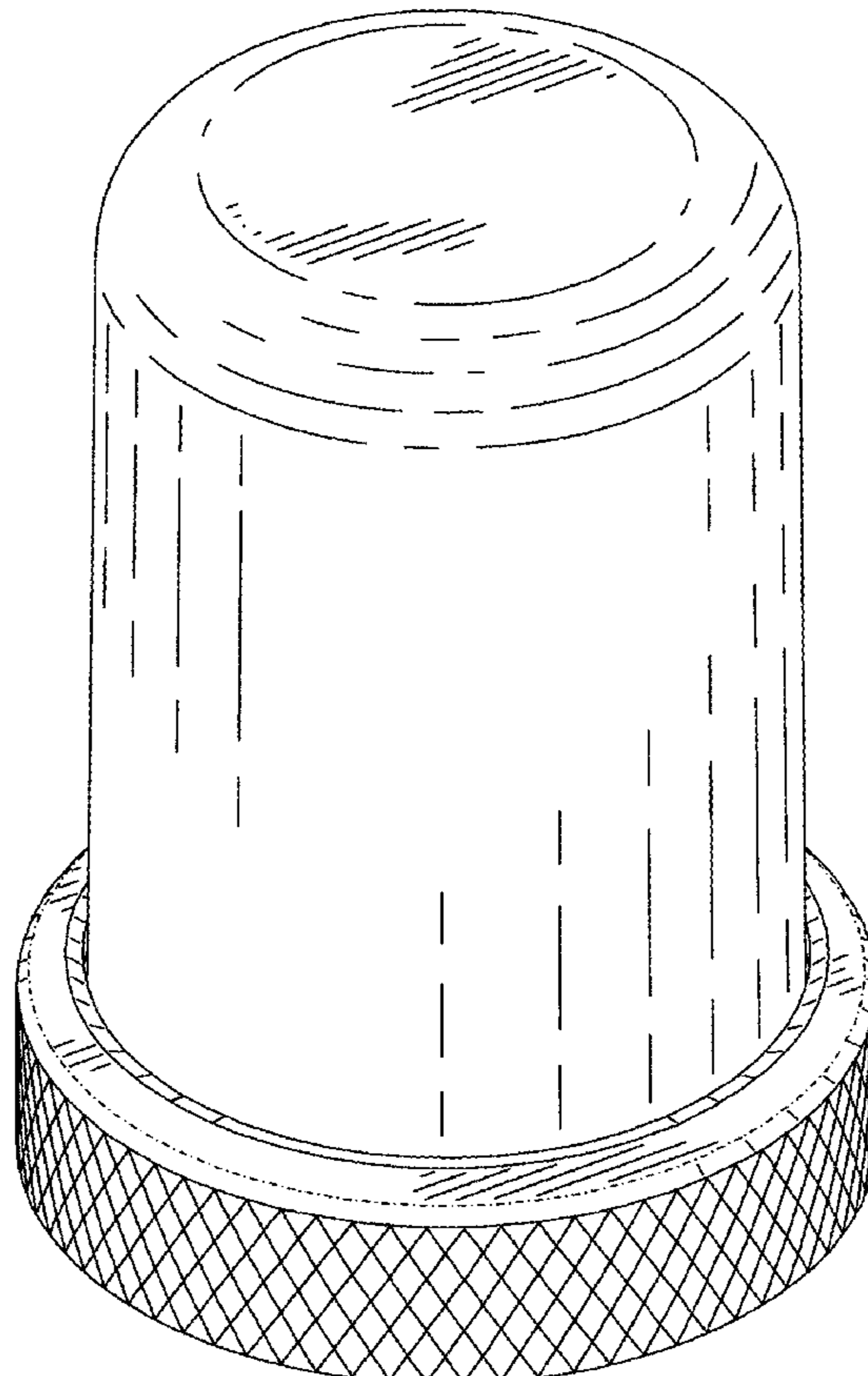
(57) **CLAIM**

The ornamental design for a sensor, as shown and described.

DESCRIPTION

FIG. 1 is a perspective view of the sensor.
FIG. 2 is an elevation view of the front of the sensor.
FIG. 3 is an elevation view of the rear of the sensor.
FIG. 4 is an elevation view of the left side of the sensor.
FIG. 5 is an elevation view of the right side of the sensor.
FIG. 6 is a plan view of the bottom of the sensor; and,
FIG. 7 is a plan view of the top of the sensor.
The broken line showing of structural features is included for the purpose of illustrating non-claimed environmental drawings and forms no part of the claimed design.

1 Claim, 7 Drawing Sheets



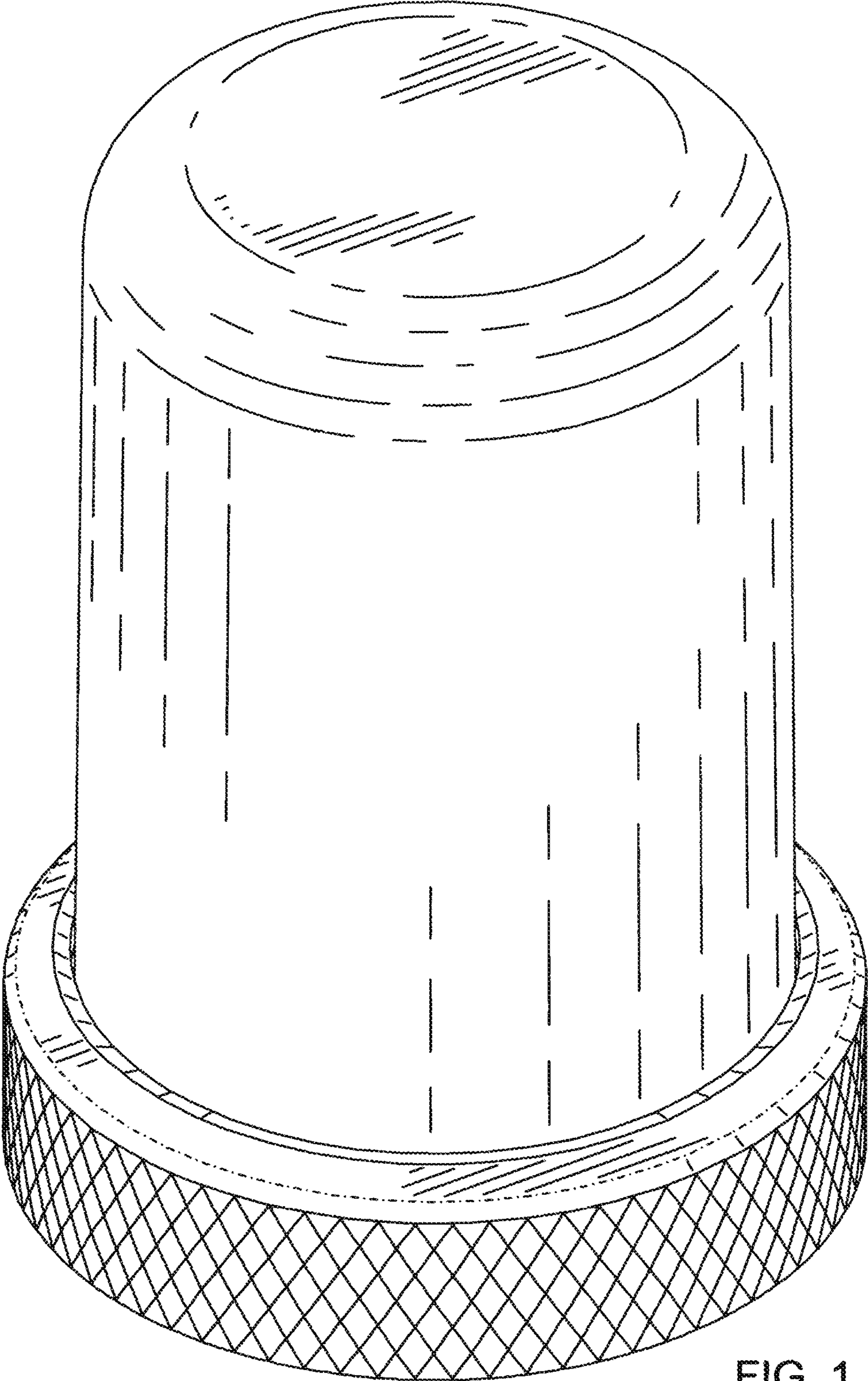


FIG. 1

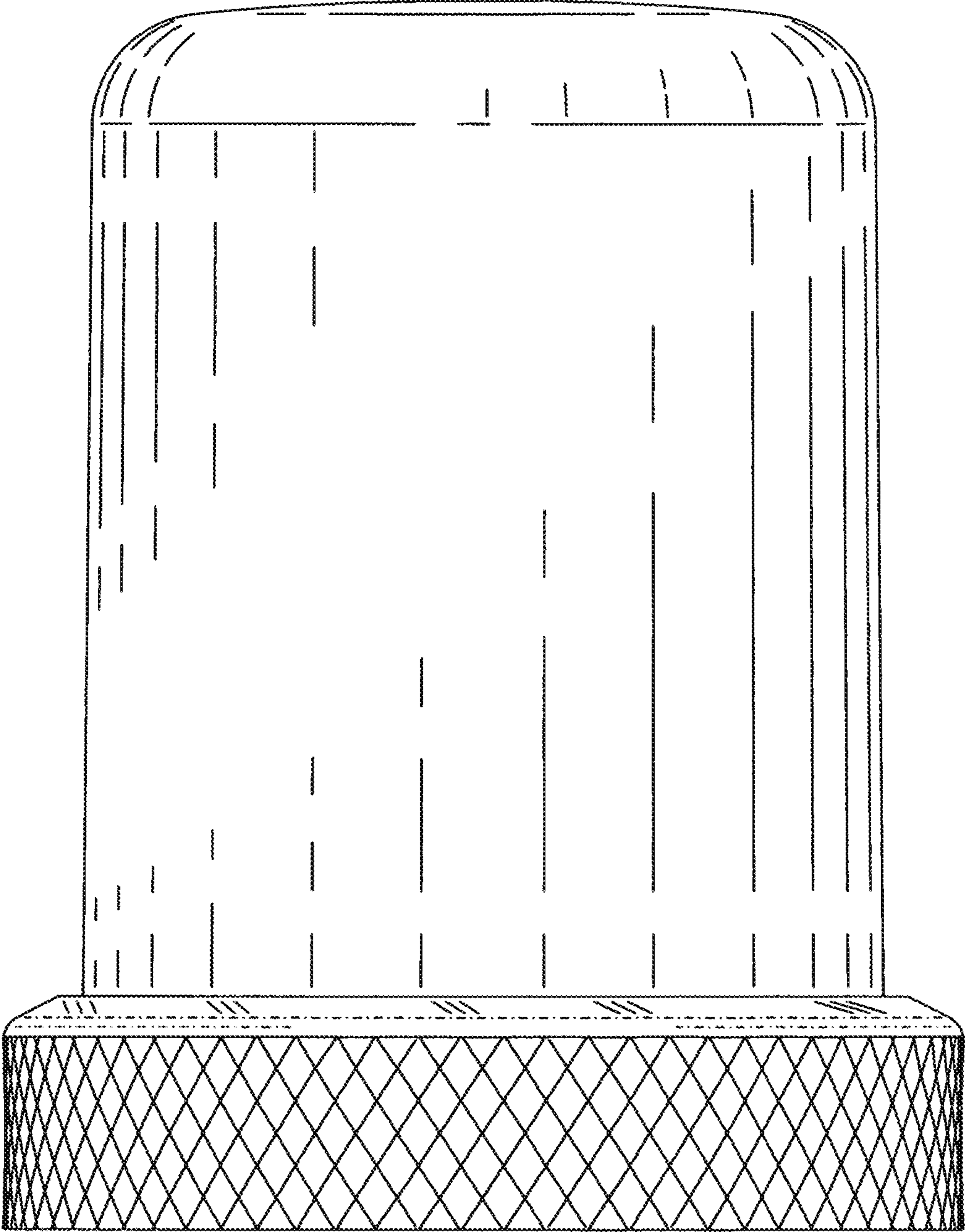


FIG. 2

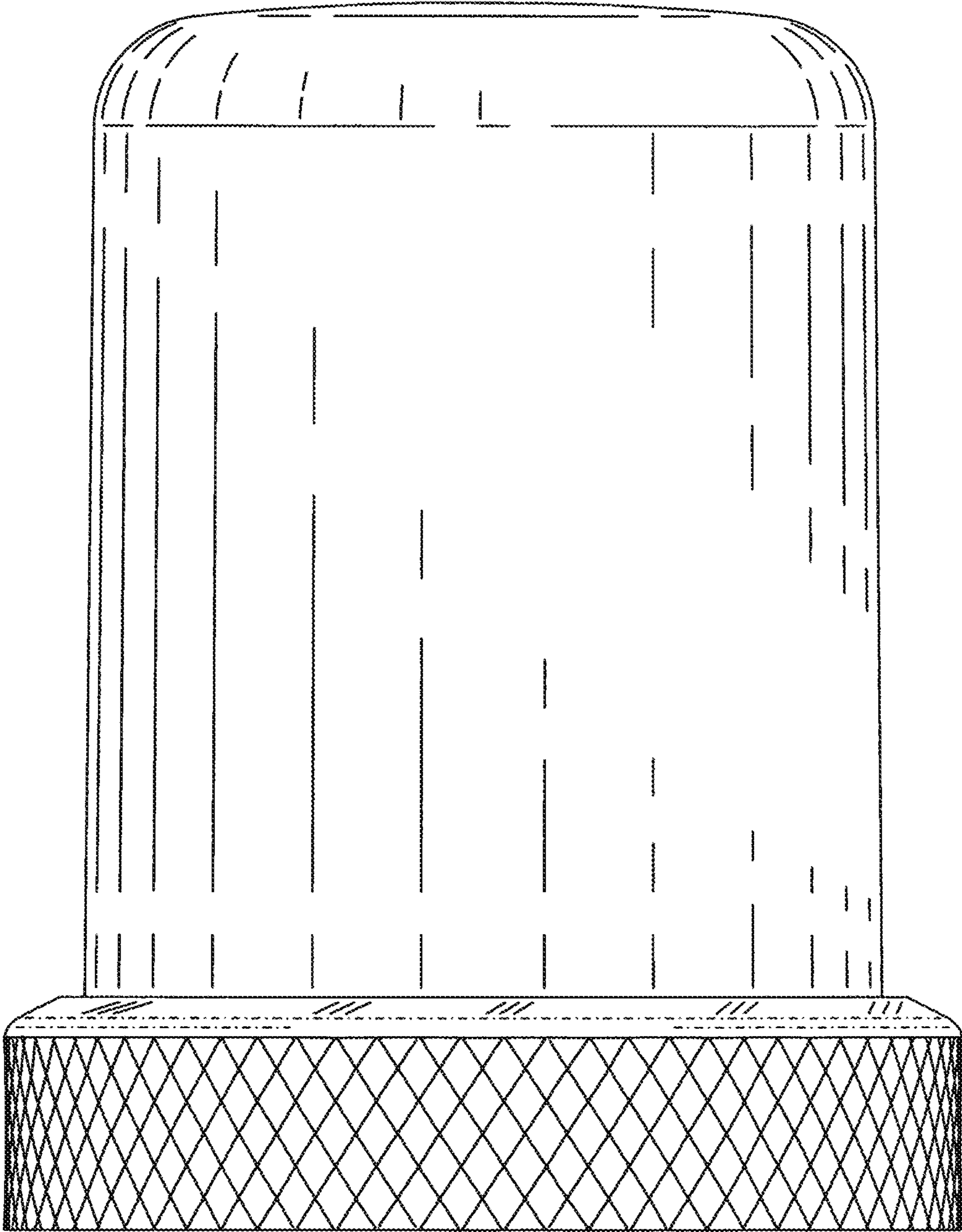


FIG. 3

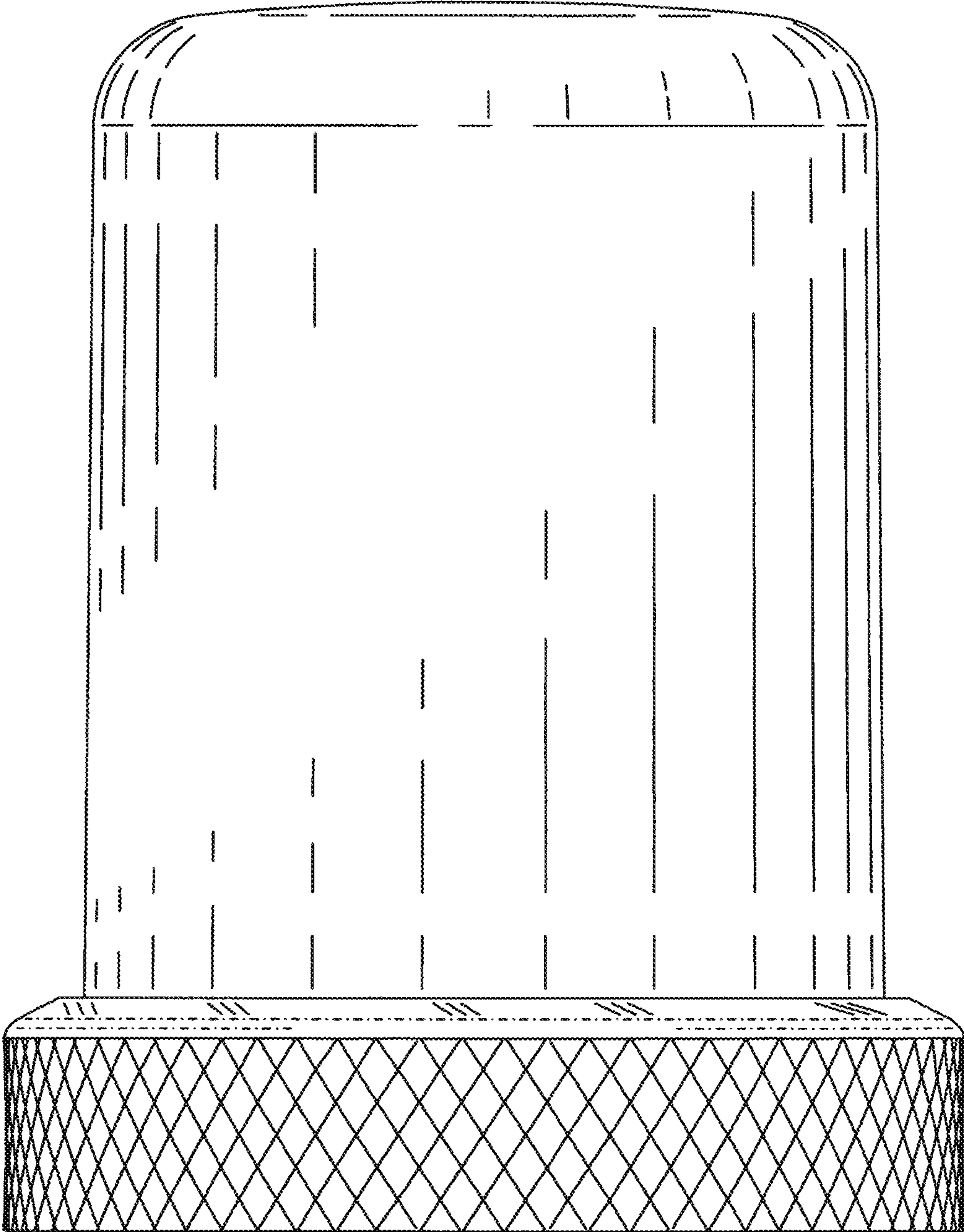


FIG. 4

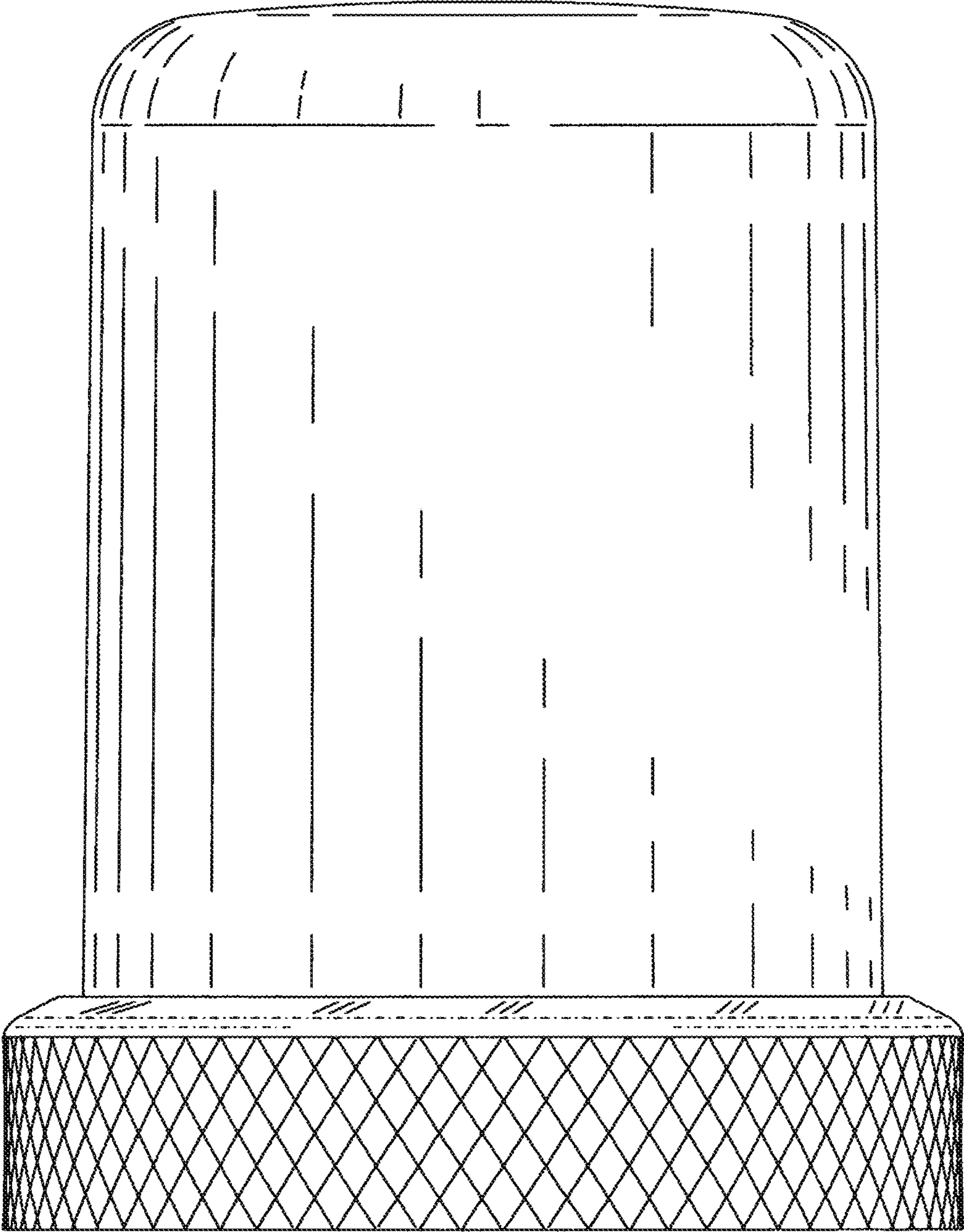


FIG. 5

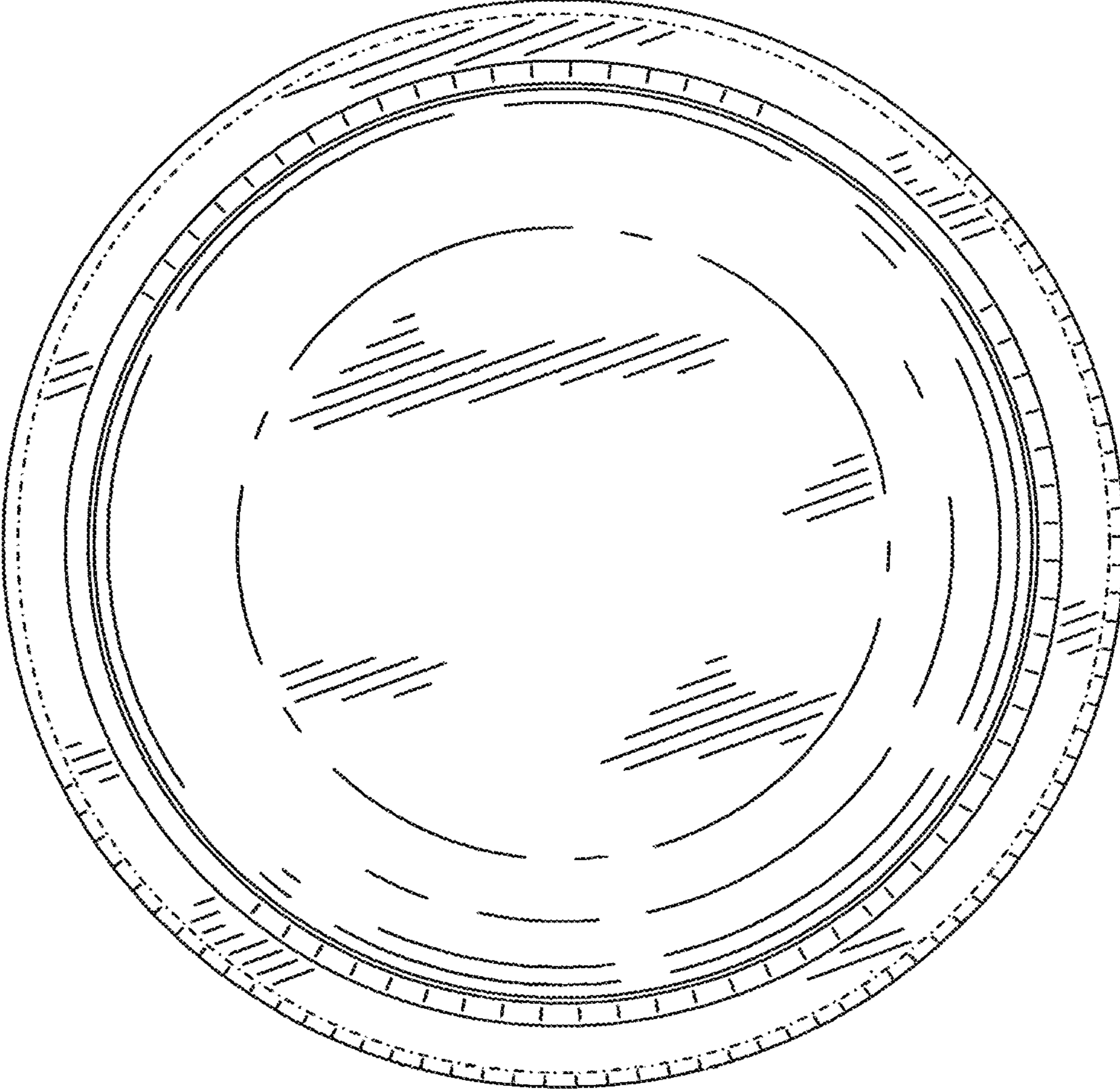


FIG. 6

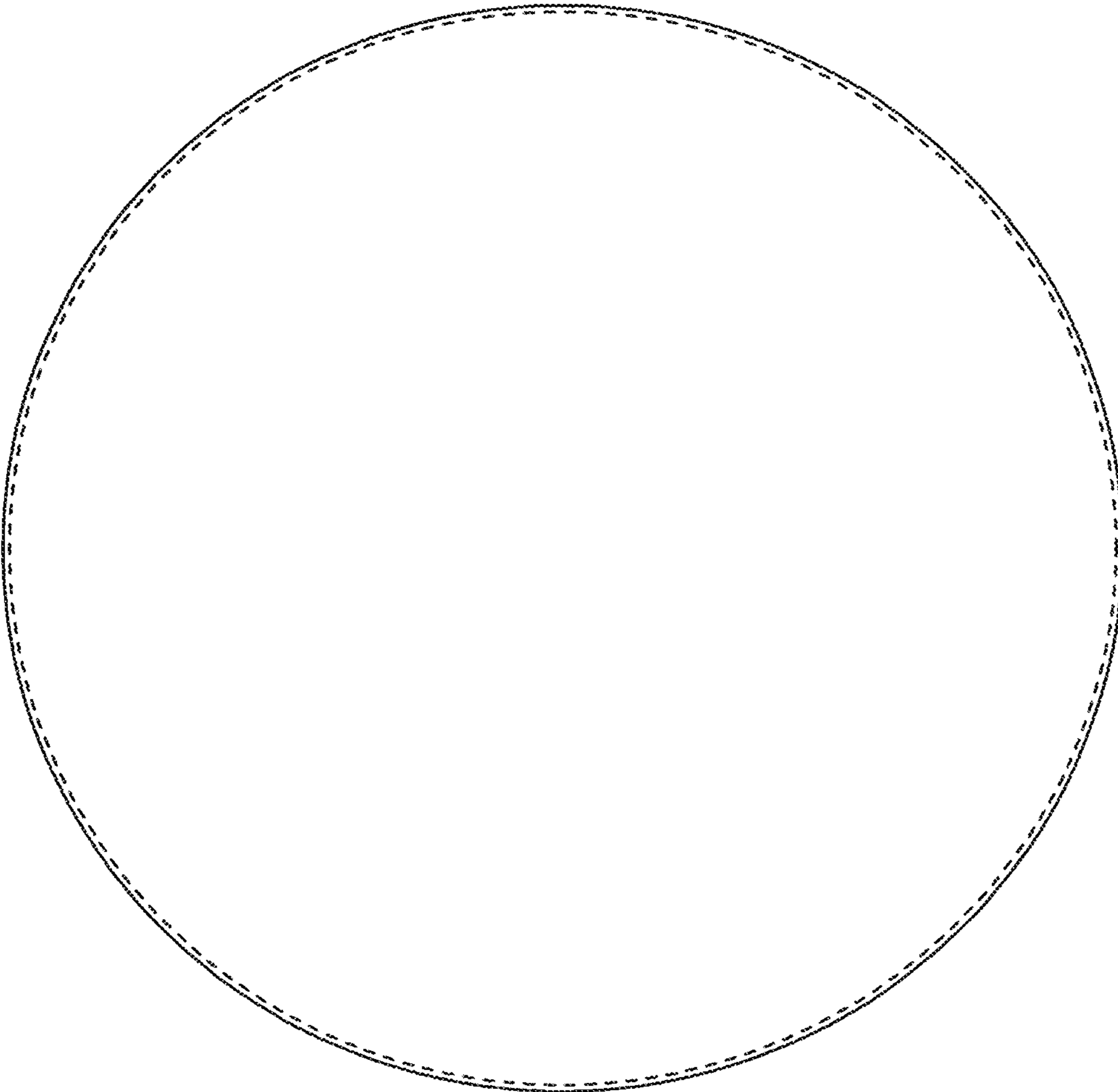


FIG. 7