



US00D889289S

(12) **United States Design Patent**  
**Burge**

(10) **Patent No.:** **US D889,289 S**

(45) **Date of Patent:** **\*\* Jul. 7, 2020**

(54) **GARAGE DOOR SENSOR SHIELD**

(71) Applicant: **Akorba Inc.**, Marion, SD (US)

(72) Inventor: **Brian James Burge**, Marion, SD (US)

(\*\*) Term: **15 Years**

(21) Appl. No.: **29/681,609**

(22) Filed: **Feb. 27, 2019**

(51) **LOC (12) Cl.** ..... **10-04**

(52) **U.S. Cl.**  
USPC ..... **D10/70; D10/106.6**

(58) **Field of Classification Search**  
USPC ..... D10/70, 106.6, 106.8  
CPC .. G01P 13/00; G01P 13/0006; G01P 13/0013;  
G01P 13/002; G01P 13/0026; G01P  
13/0033; G01P 13/004; G01P 13/0046;  
G01P 13/0053; G01P 13/006; G01P  
13/0066; G01P 13/0073; G01P 13/008;  
G01P 13/0086; G01P 13/0093; G08B  
21/00; G08B 21/02; G08B 21/0202;  
G08B 21/0205; G08B 21/0208; G08B  
21/0211; G08B 21/0213; G08B 21/0216;  
G08B 21/0219; G08B 21/0222; G08B  
21/0225; G08B 21/0227; G08B 21/023;  
G08B 21/0233; G08B 21/0236; G08B  
21/0238; G08B 21/0241; G08B 21/0244;  
G08B 21/0247; G08B 21/025; G08B  
21/0252; G08B 21/0258; G08B 21/0261;  
G08B 21/0263; G08B 21/0266; G08B  
21/0269; G08B 21/0272; G08B 21/0275;  
G08B 21/0277; G08B 21/028; G08B  
21/0283; G08B 21/0286; G08B 21/0288;  
G08B 21/0291; G08B 21/0194; G08B  
21/0297; G08B 21/04; G08B 21/0407;  
G08B 21/0415; G08B 21/0423; G08B  
21/043; G08B 21/0438; G08B 21/0446;  
G08B 21/0453; G08B 21/0461; G08B  
21/0469; G08B 21/0476; G08B 21/0484;  
G08B 21/0492; G08B 21/06; G08B

21/08; G08B 21/082; G08B 21/084;  
G08B 21/086; G08B 21/088; G08B  
21/10; G08B 21/12; G08B 21/14; G08B  
21/16; G08B 21/18;

(Continued)

(56) **References Cited**

U.S. PATENT DOCUMENTS

D425,534 S \* 5/2000 Mutoh ..... D10/106.1  
D628,103 S \* 11/2010 Schmalz ..... D10/106.6

(Continued)

*Primary Examiner* — Antoine Duval Davis

(57) **CLAIM**

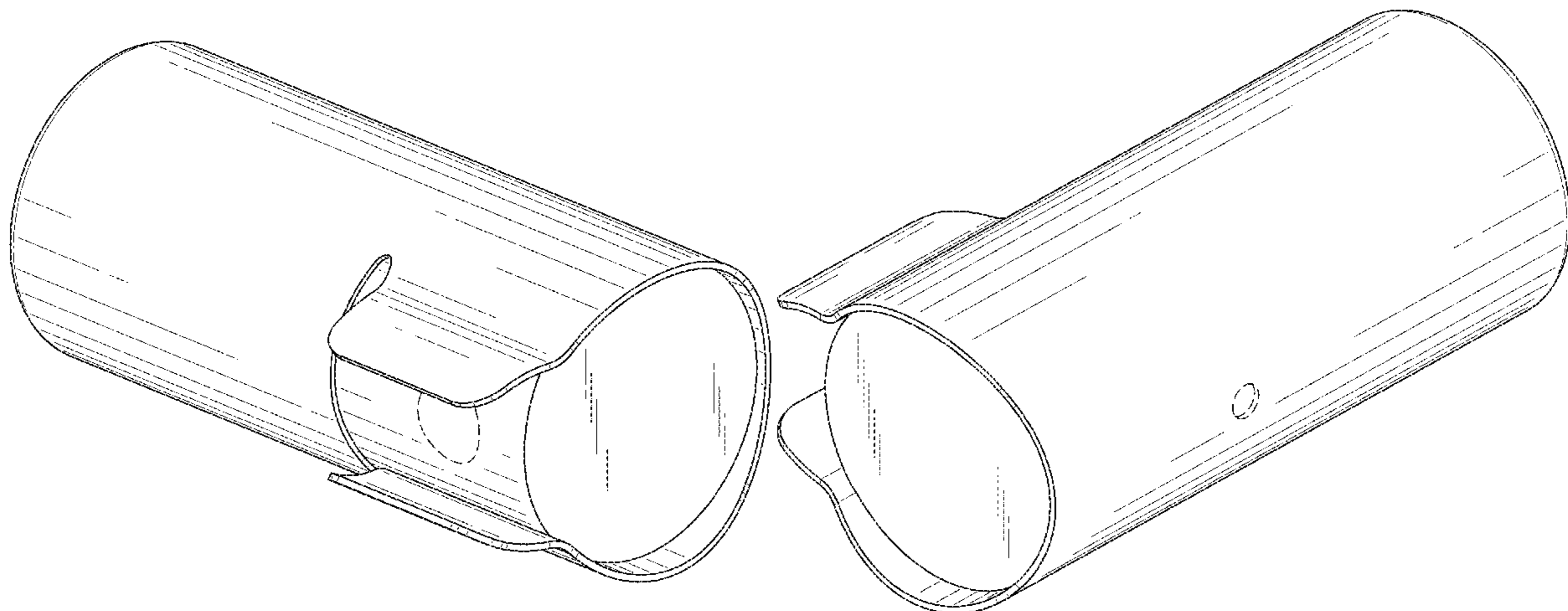
The ornamental design for a garage door sensor shield, as shown and described.

**DESCRIPTION**

FIG. 1 is a top front left side perspective view of a garage door sensor shield showing my new design;  
FIG. 2 is a top front right side perspective view of the garage door sensor shield;  
FIG. 3 is a left side view of the garage door sensor shield;  
FIG. 4 is a front view of the garage door sensor shield;  
FIG. 5 is a right side view of the garage door sensor shield;  
FIG. 6 is a rear view of the garage door sensor shield;  
FIG. 7 is a top view of the garage door sensor shield rotated 90 degrees; and,  
FIG. 8 is a top front right side perspective view of the garage door sensor shield in use.

The dash-dash dash broken lines on the article in FIGS. 1, 2, 3, 5, 6, and 8 are illustrative of portions of the article forming no part of the claimed design. The dash-dot-dash broken line in FIG. 6 illustrates a boundary inside which the structure of the article forms no part of the claimed design. The dash-dot-dot broken lines in FIG. 8 are illustrative of environmental structure forming no part of the claimed design.

**1 Claim, 8 Drawing Sheets**



(58) **Field of Classification Search**

CPC .. G08B 21/182; G08B 21/185; G08B 21/187;  
 G08B 21/20; G08B 21/22; G08B 21/24;  
 G08B 21/245; G08B 23/00; G08B 13/00;  
 G08B 13/02; G08B 13/04; G08B 13/06;  
 G08B 13/08; G08B 13/10; G08B 13/12;  
 G08B 13/122; G08B 13/124; G08B  
 13/126; G08B 13/028; G08B 13/14;  
 G08B 13/1409; G08B 13/1418; G08B  
 13/1427; G08B 13/1436; G08B 13/1445;  
 G08B 13/1454; G08B 13/1463; G08B  
 13/1472; G08B 13/1481; G08B 13/149;  
 G08B 13/16; G08B 13/1609; G08B  
 13/1618; G08B 13/1627; G08B 13/1636;  
 G08B 13/1645; G08B 13/1654; G08B  
 13/1663; G08B 13/1672; G08B 13/1681;  
 G08B 13/169; G08B 13/18; G08B  
 13/194; G08B 13/196; G08B 13/19602;  
 G08B 13/19604; G08B 13/19606; G08B  
 13/19608; G08B 13/1961; G08B  
 13/19613; G08B 13/19615; G08B  
 13/19617; G08B 13/19619; G08B  
 13/19621; G08B 13/19623; G08B  
 13/19626; G08B 13/19628; G08B  
 13/1963; G08B 13/19632; G08B  
 13/19634; G08B 13/19636; G08B  
 13/19639; G08B 13/19641; G08B  
 13/19643; G08B 13/19645; G08B  
 13/19647; G08B 13/1965; G08B  
 13/19652; G08B 13/19654; G08B  
 13/19656; G08B 13/19658; G08B  
 13/1966; G08B 13/19663; G08B  
 13/19665; G08B 13/19667; G08B  
 13/19669; G08B 13/19671; G08B  
 13/19673; G08B 13/19676; G08B  
 13/19678; G08B 13/1968; G08B  
 13/19682; G08B 13/19684; G08B  
 13/19686; G08B 13/19689; G08B  
 13/19691; G08B 13/19693; G08B  
 13/19695; G08B 13/19697; G08B 13/20;  
 G08B 13/22; G08B 13/24; G08B

13/2402; G08B 13/2405; G08B 13/2408;  
 G08B 13/2411; G08B 13/2414; G08B  
 13/2417; G08B 13/242; G08B 13/2422;  
 G08B 13/2425; G08B 13/2428; G08B  
 13/2431; G08B 13/2434; G08B 13/2437;  
 G08B 13/244; G08B 13/2442; G08B  
 13/2445; G08B 13/2448; G08B 13/2451;  
 G08B 13/2454; G08B 13/2457; G08B  
 13/246; G08B 13/2462; G08B 13/2465;  
 G08B 13/2468; G08B 13/2471; G08B  
 13/2474; G08B 13/2477; G08B 13/248;  
 G08B 13/2482; G08B 13/2485; G08B  
 13/2488; G08B 13/2491; G08B 13/2494;  
 G08B 13/2497; G08B 13/26; G08B  
 13/16169; G08B 13/181; G08B 13/183;  
 G08B 13/184; G08B 13/186; G08B  
 13/187; G08B 13/189; G08B 13/1895;  
 G08B 13/19; G08B 13/191; G08B  
 13/193; G08B 17/12; G01V 8/20; H03K  
 17/941; H03K 2017/9455; H03K  
 17/9505; H03K 17/9622; H03K 17/9627;  
 E05F 15/77; E05F 15/79; E05F 15/73;  
 E05F 15/668; E05F 15/2023; E05F 15/43;  
 E05F 2015/434; E05F 2015/483; E05F  
 2015/436; E05F 2015/765; E05Y  
 2201/656; E05Y 2201/666; E05Y  
 2900/106; G05B 2219/2628; G05B  
 2219/25187; G05B 2219/2642; G05B  
 13/08

See application file for complete search history.

(56)

**References Cited**

U.S. PATENT DOCUMENTS

D764,335 S \* 8/2016 Thornton ..... D10/106.6  
 9,927,301 B2 \* 3/2018 Peterson ..... G01J 5/0022  
 D817,791 S \* 5/2018 Kikkeri ..... D10/65  
 D826,073 S \* 8/2018 Alkelai ..... D10/70  
 10,072,985 B2 \* 9/2018 Peterson ..... G08B 13/19  
 D848,293 S \* 5/2019 Laurans ..... D10/70

\* cited by examiner



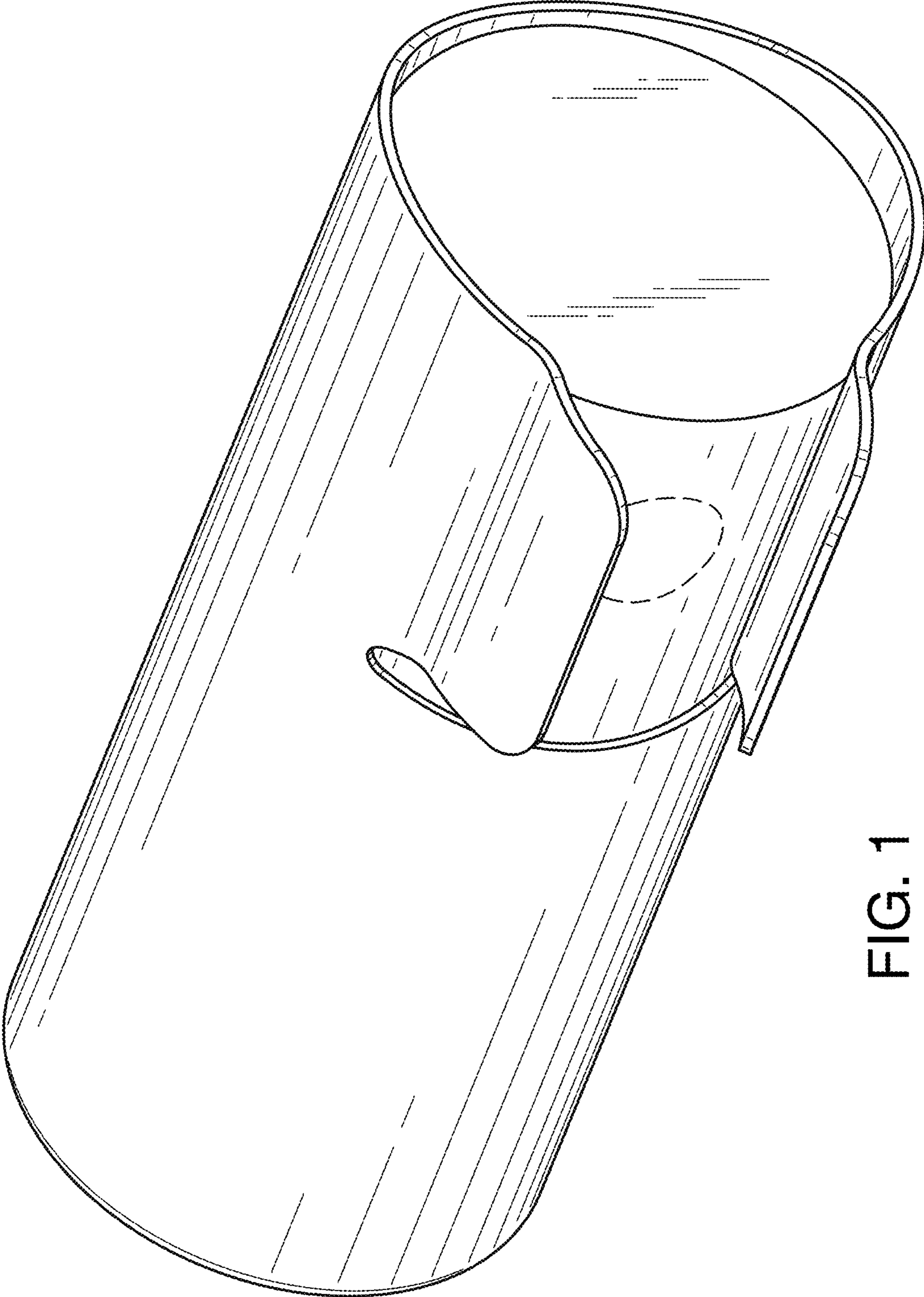


FIG. 1

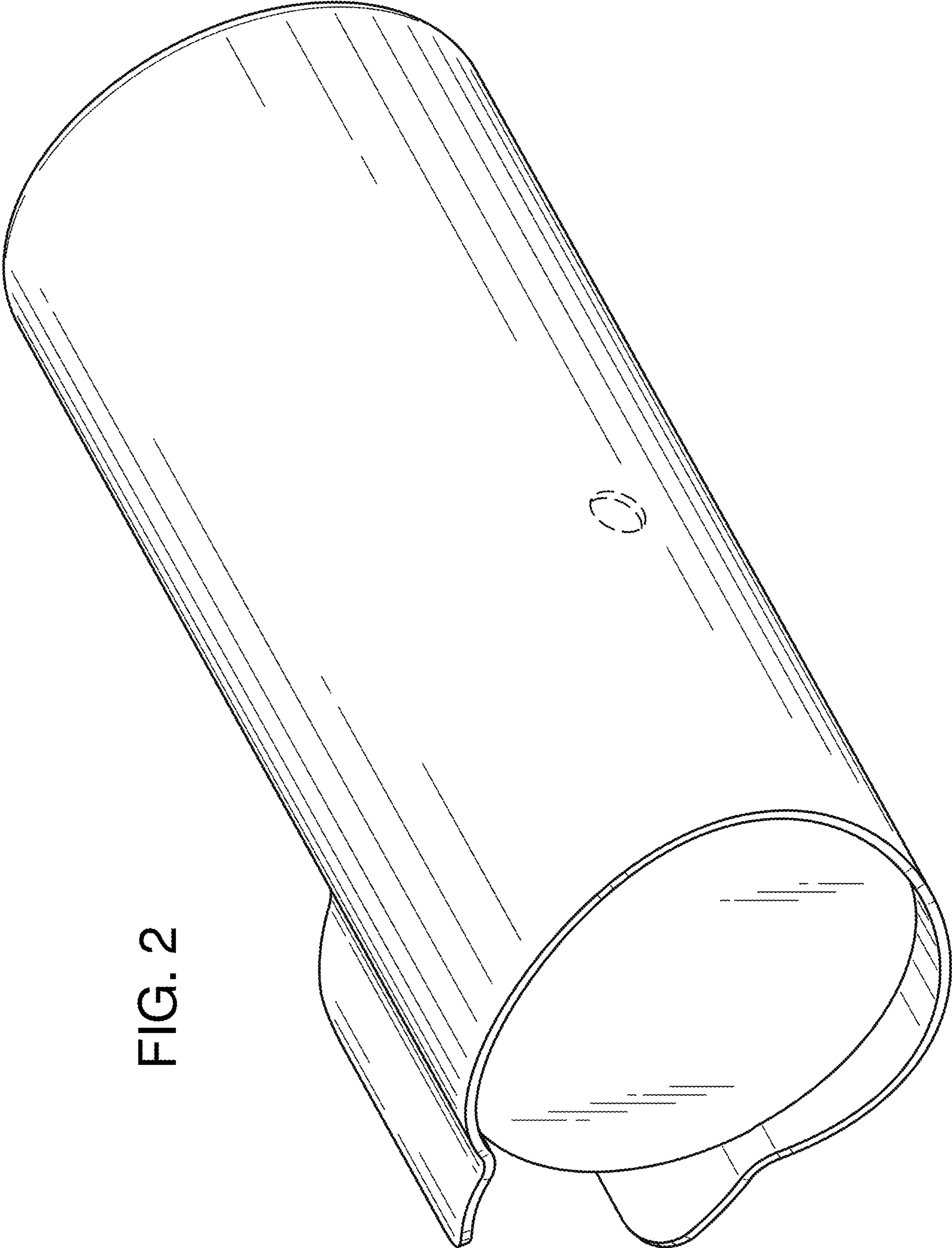


FIG. 2

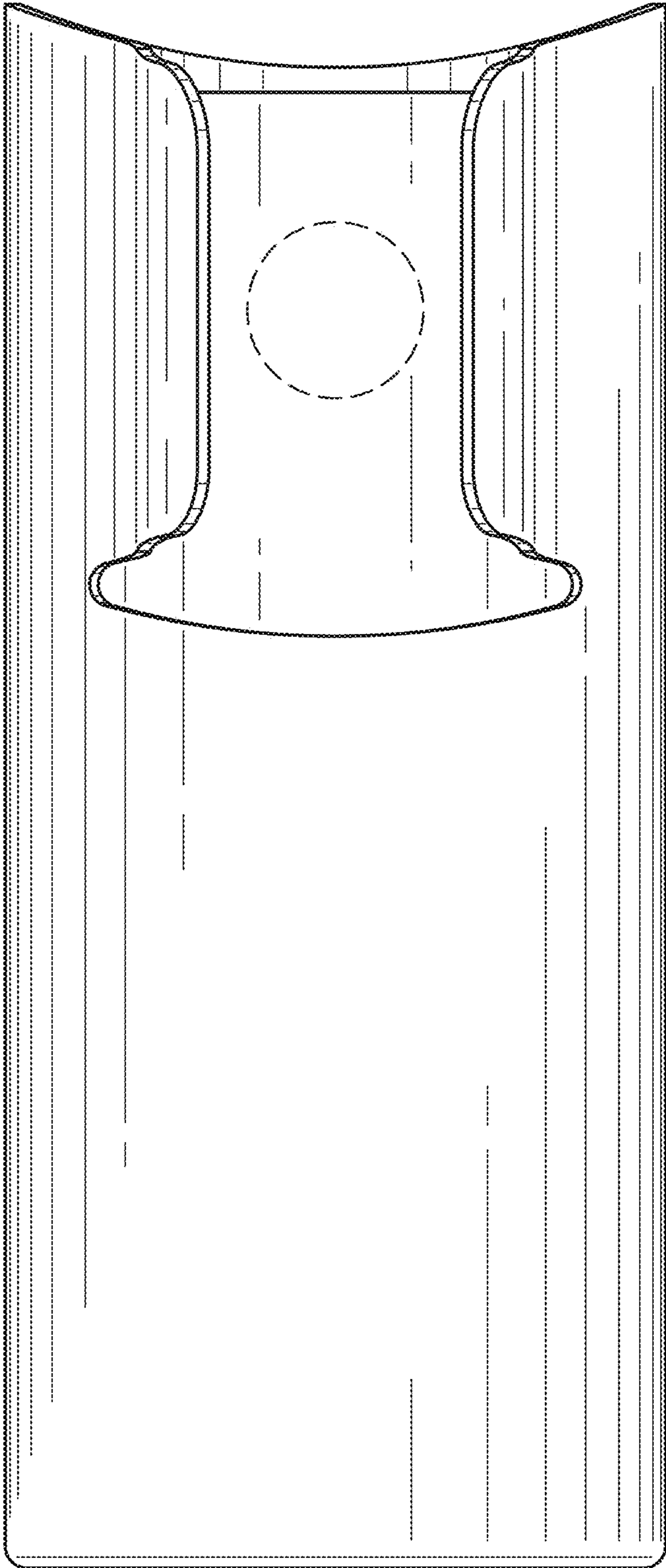


FIG. 3

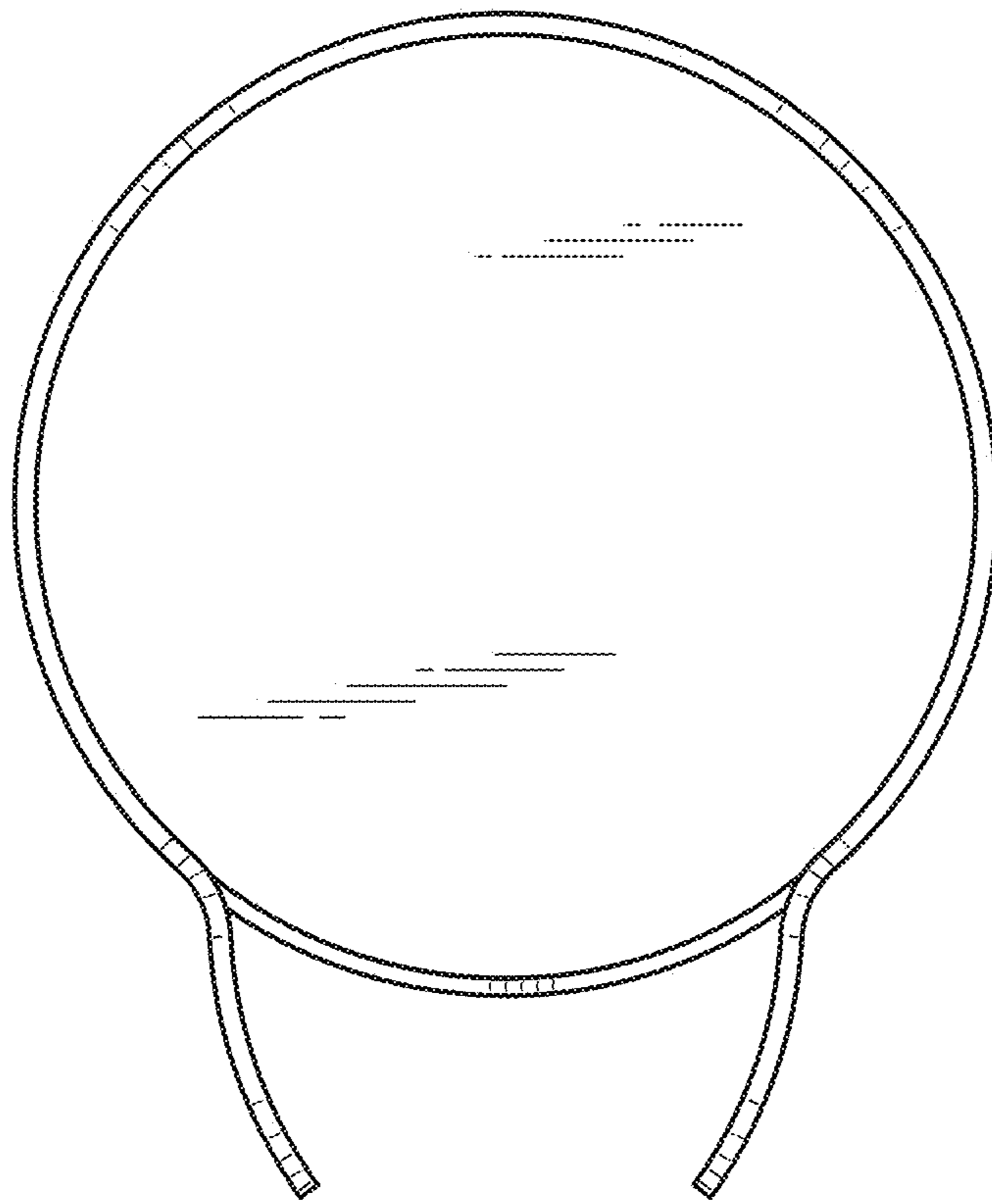


FIG. 4

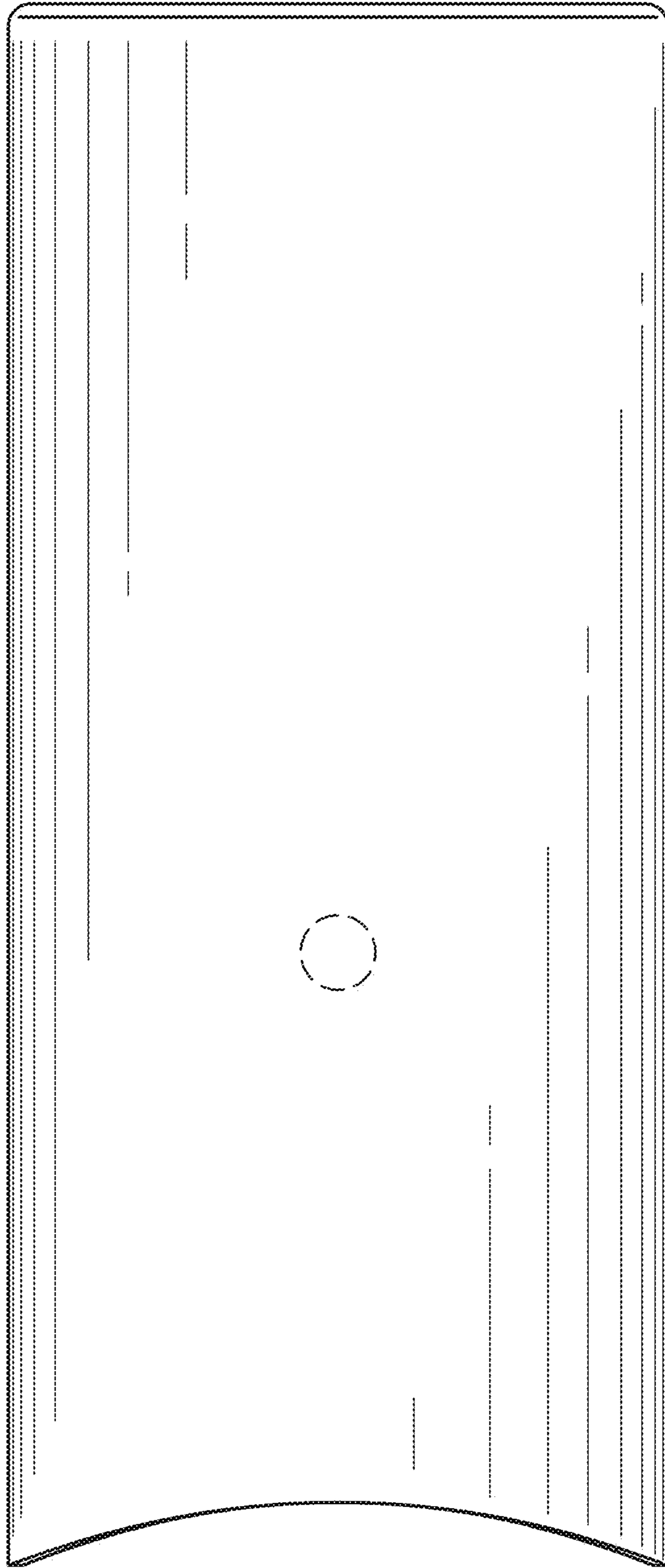


FIG. 5

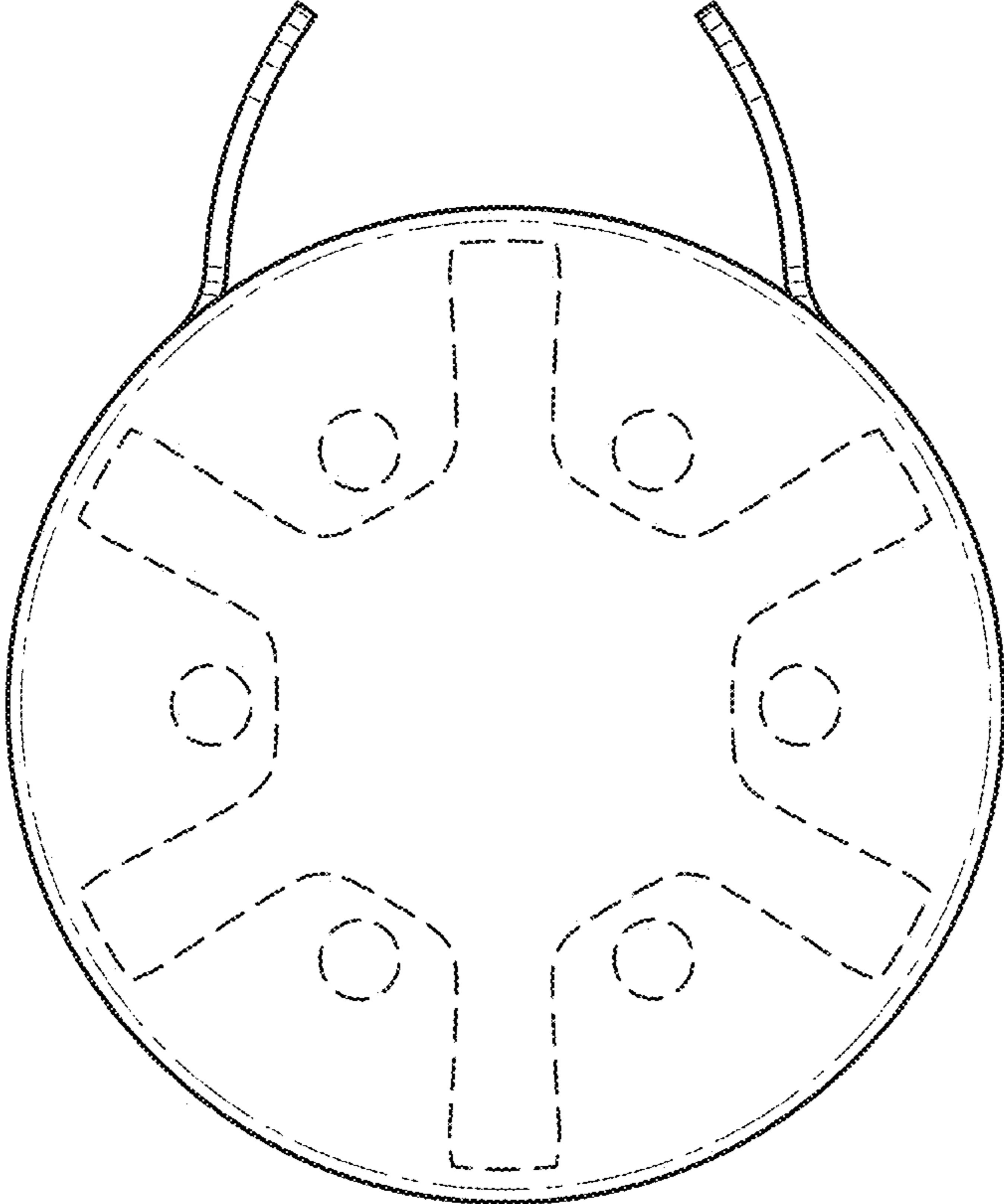


FIG. 6



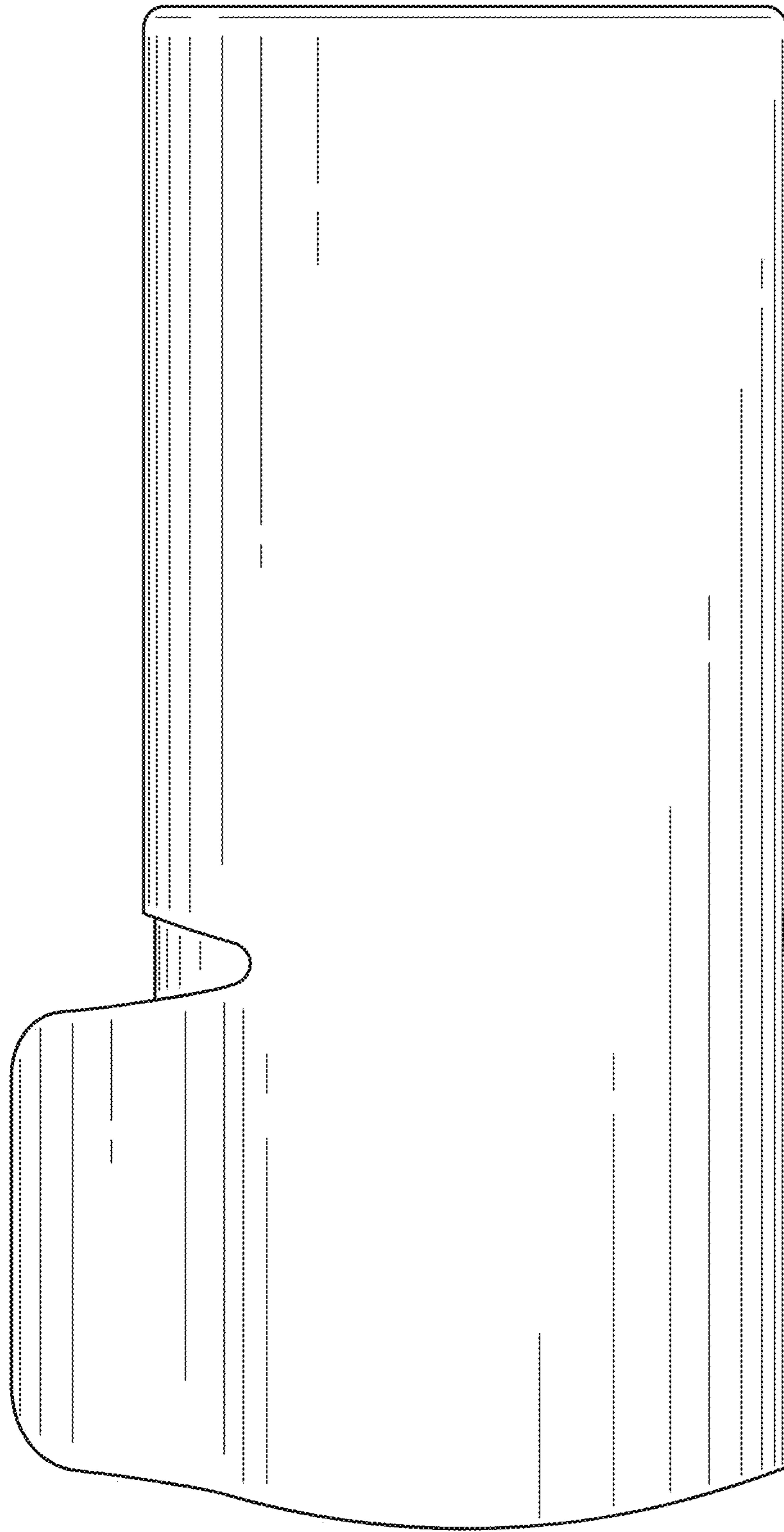


FIG. 7

FIG. 8

