

US00D889288S

(12) **United States Design Patent**  
**Lange et al.**

(10) **Patent No.:** **US D889,288 S**  
(45) **Date of Patent:** **\*\* Jul. 7, 2020**

(54) **LOCATION TRACKING DEVICE**

(71) Applicant: **Awearable Apparel Inc.**, Brooklyn, NY (US)

(72) Inventors: **Justin Lange**, Brooklyn, NY (US);  
**Scott Henderson**, Brooklyn, NY (US)

(73) Assignee: **Awearable Apparel Inc.**, Brooklyn, NY (US)

(\*) Notice: This patent is subject to a terminal disclaimer.

(\*\*) Term: **15 Years**

(21) Appl. No.: **29/640,111**

(22) Filed: **Mar. 12, 2018**

(51) **LOC (12) Cl.** ..... **10-04**

(52) **U.S. Cl.**  
USPC ..... **D10/70**

(58) **Field of Classification Search**

USPC ..... D10/70, 97, 98  
CPC ..... A41D 1/02; A44C 5/0015; A44C 5/02;  
A44C 5/14; A61B 19/44; A61B  
2019/446; A61B 71/00; A61B 5/02416;  
A61B 5/1118; A61B 2/721; A61B 5/002;  
A61B 5/112; A61B 5/1122; A61B 5/746;  
A61B 5/6823; A61B 5/72; A61B 5/7445;  
A61B 5/0022; A61B 5/14532; G09F  
3/005; G06F 1/163; G06F 3/038; G06F  
3/03547; G04G 17/00;

(Continued)

(56) **References Cited**

**U.S. PATENT DOCUMENTS**

D251,754 S \* 5/1979 Tyson ..... D3/207  
D557,423 S \* 12/2007 Chen ..... D24/187  
D656,651 S \* 3/2012 Gorman ..... D26/47  
D730,761 S \* 6/2015 Spaeth ..... D10/70

(Continued)

**OTHER PUBLICATIONS**

LYNQ, "Lyng: The Smart Compass," Mar. 7, 2017, 2 pages.

(Continued)

*Primary Examiner* — Antoine Duval Davis

(74) *Attorney, Agent, or Firm* — Ryan, Mason & Lewis, LLP

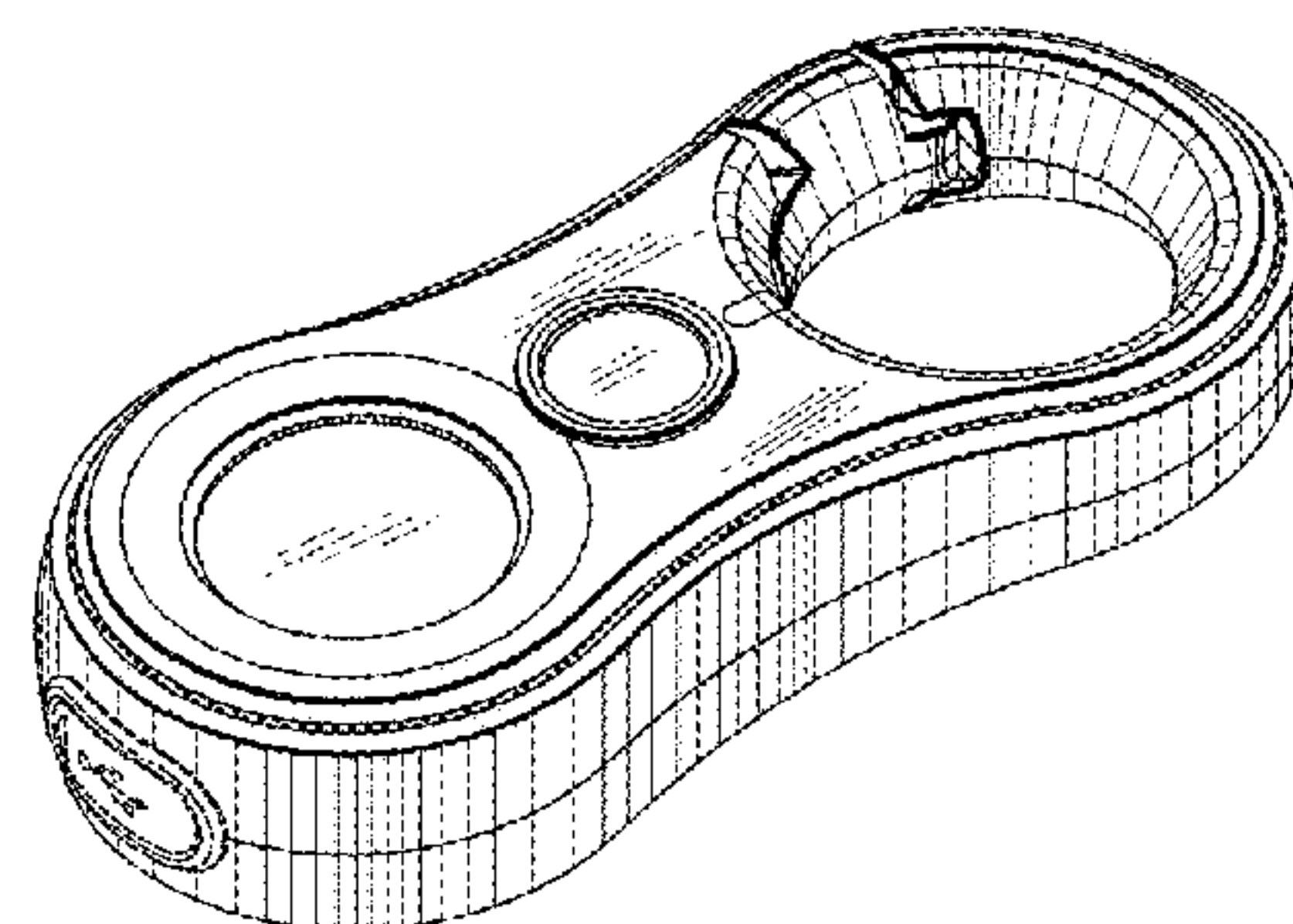
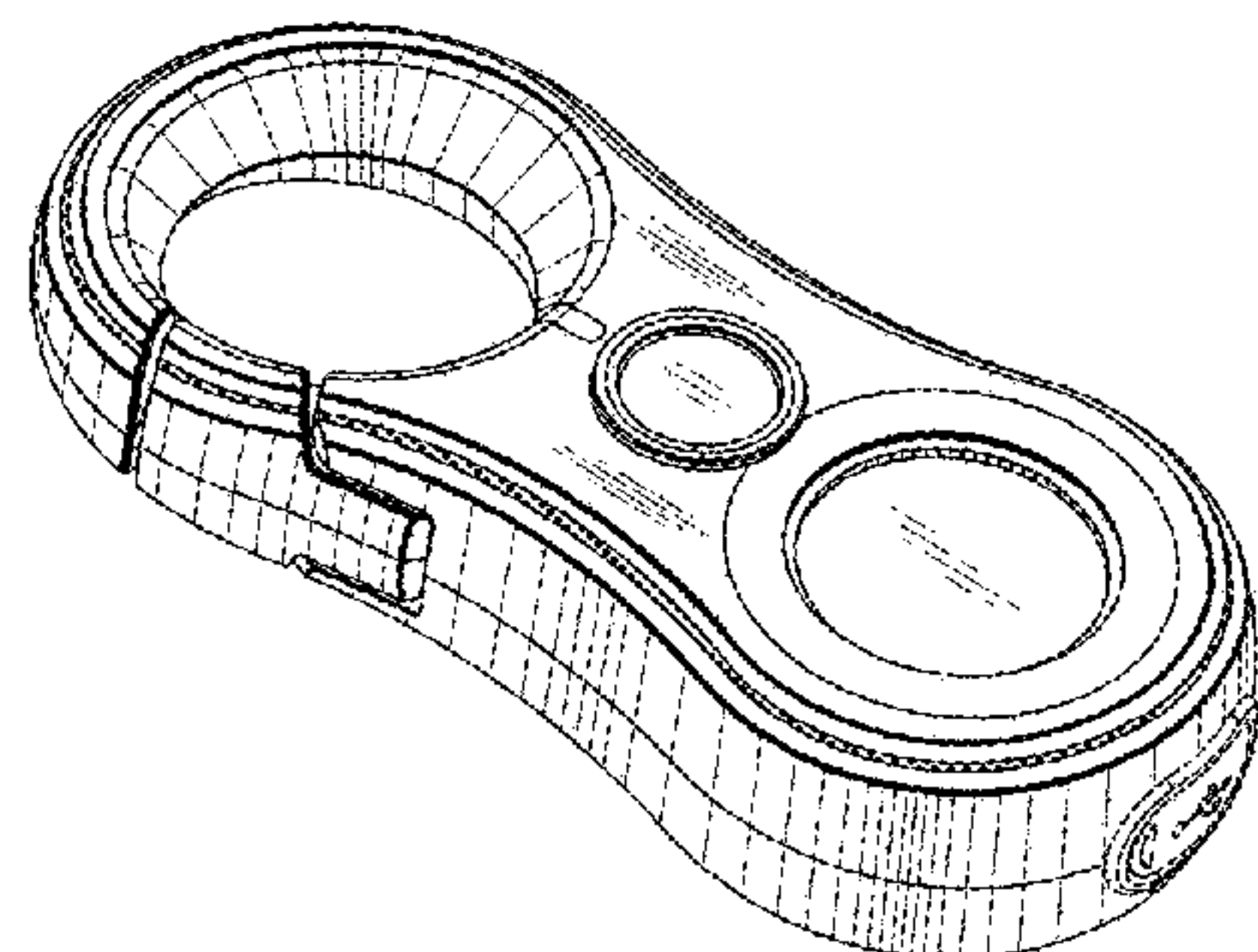
(57) **CLAIM**

The ornamental design for a location tracking device, substantially as shown and described.

**DESCRIPTION**

FIG. 1 is a left-side perspective view of an embodiment of a location tracking device showing our new design; FIG. 2 is a right-side perspective view of the embodiment of the location tracking device; FIG. 3 is a top view of the embodiment of the location tracking device; FIG. 4 is a bottom view of the embodiment of the location tracking device; FIG. 5 is a front view of the embodiment of the location tracking device; FIG. 6 is a back view of the embodiment of the location tracking device; FIG. 7 is a right-side view of the embodiment of the location tracking device; FIG. 8 is a left-side view of the embodiment of the location tracking device; FIG. 9 is a top view of an alternate position of the embodiment of the location tracking device; FIG. 10 is a bottom view of an alternate position of the embodiment of the location tracking device; FIG. 11 is a left-side perspective view of an alternate position of the embodiment of the location tracking device; and, FIG. 12 is a right-side perspective view of an alternate position of the embodiment of the location tracking device. The features shown in uniformly-sized broken lines depict environmental subject matter only and form no part of the claimed design.

**1 Claim, 4 Drawing Sheets**



(58) **Field of Classification Search**

CPC ..... G04G 17/08; G04G 17/04; G04G 21/02;  
G04G 21/00; G04G 21/08; G04B  
37/1486; G06Q 10/00; G06Q 50/00;  
G09B 9/00; G09B 19/00; A63B 71/0686;  
A63B 24/0062; A63B 24/0084; A63B  
2024/0068; A63B 2024/0078; A63B  
2024/0056; A63B 2071/0625; A63B  
2071/003; A63B 2071/063; A63B  
2071/065; A63B 2071/0663; A63B  
2071/068; A63B 2071/0675; A63B  
2220/40; A63B 2220/803; A63B 2220/12;  
A63B 2220/20; A63B 2220/22; A63B  
2220/30; A63B 2225/50; A63B 2225/02;  
A63B 2225/06; A63B 2230/75; A63B  
2024/0065; A63B 2024/0081; A63B  
2220/51; A63B 2220/62; A63B 2220/836;  
A63B 24/0075; A63B 71/06; A63B  
26/00; G04F 10/00

See application file for complete search history.

(56)

**References Cited**

U.S. PATENT DOCUMENTS

D749,004 S \* 2/2016 Sirius-El ..... A61B 5/6833  
D10/97  
D782,344 S \* 3/2017 Sullivan ..... D10/49  
D810,593 S \* 2/2018 Liu ..... D10/70  
2014/0206977 A1\* 7/2014 Bahney ..... A61B 5/6833  
600/391

OTHER PUBLICATIONS

Macywell, "Macywell Key Finder, Item Finder, Phone Finder, Bluetooth Tracker with 1 replaceable Battery, iOS & Android Compatible—2 Pack," [https://www.amazon.com/MACYWELL-Bluetooth-Tracker-Replaceable-Compatible/dp/B07F35DJVC/ref=Ip\\_18229775011\\_1\\_2?srs=18229775011&ie=UTF8&qid=1546986633&sr=8-2](https://www.amazon.com/MACYWELL-Bluetooth-Tracker-Replaceable-Compatible/dp/B07F35DJVC/ref=Ip_18229775011_1_2?srs=18229775011&ie=UTF8&qid=1546986633&sr=8-2), Aug. 2018, 11 pages.

\* cited by examiner

FIG. 1

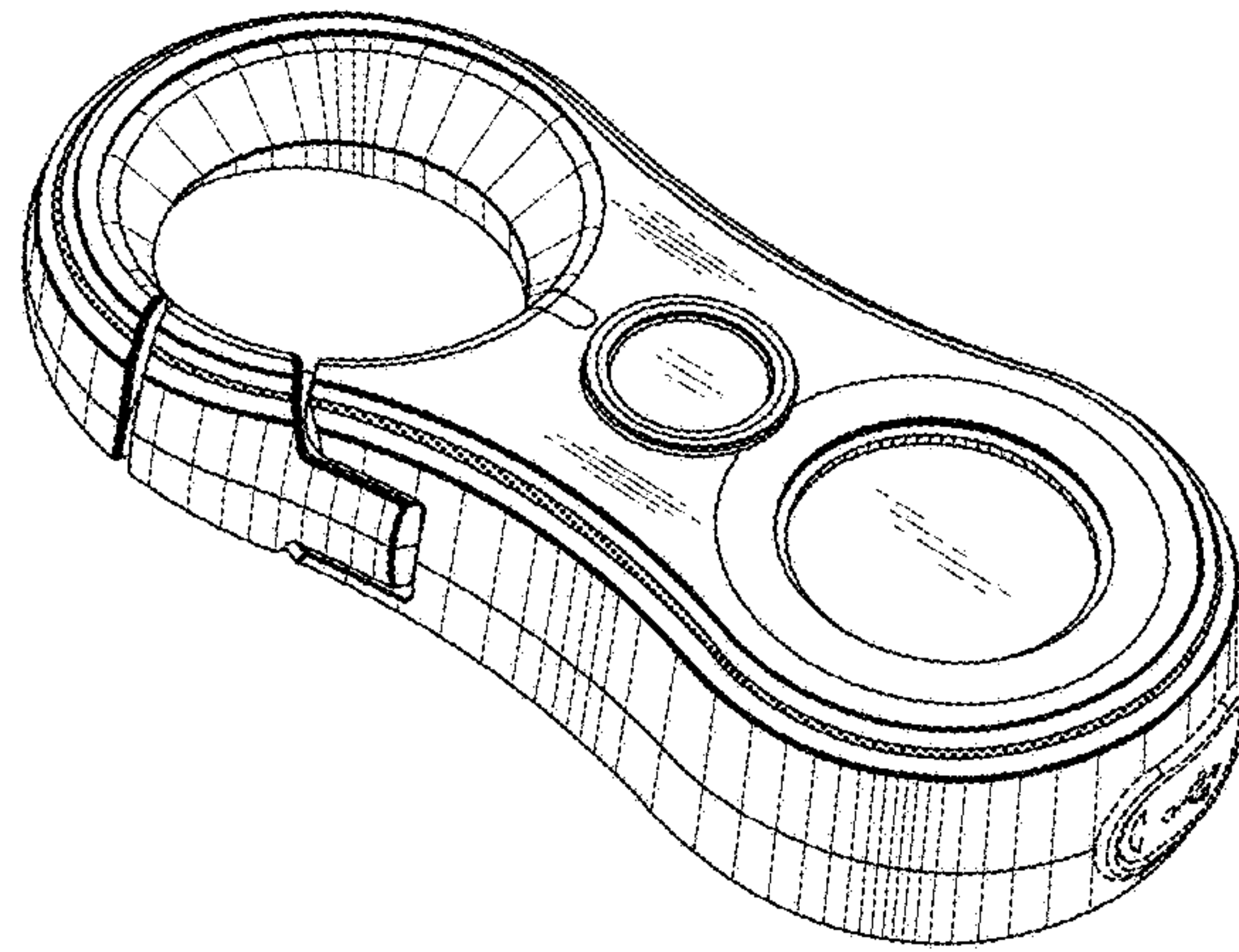


FIG. 2

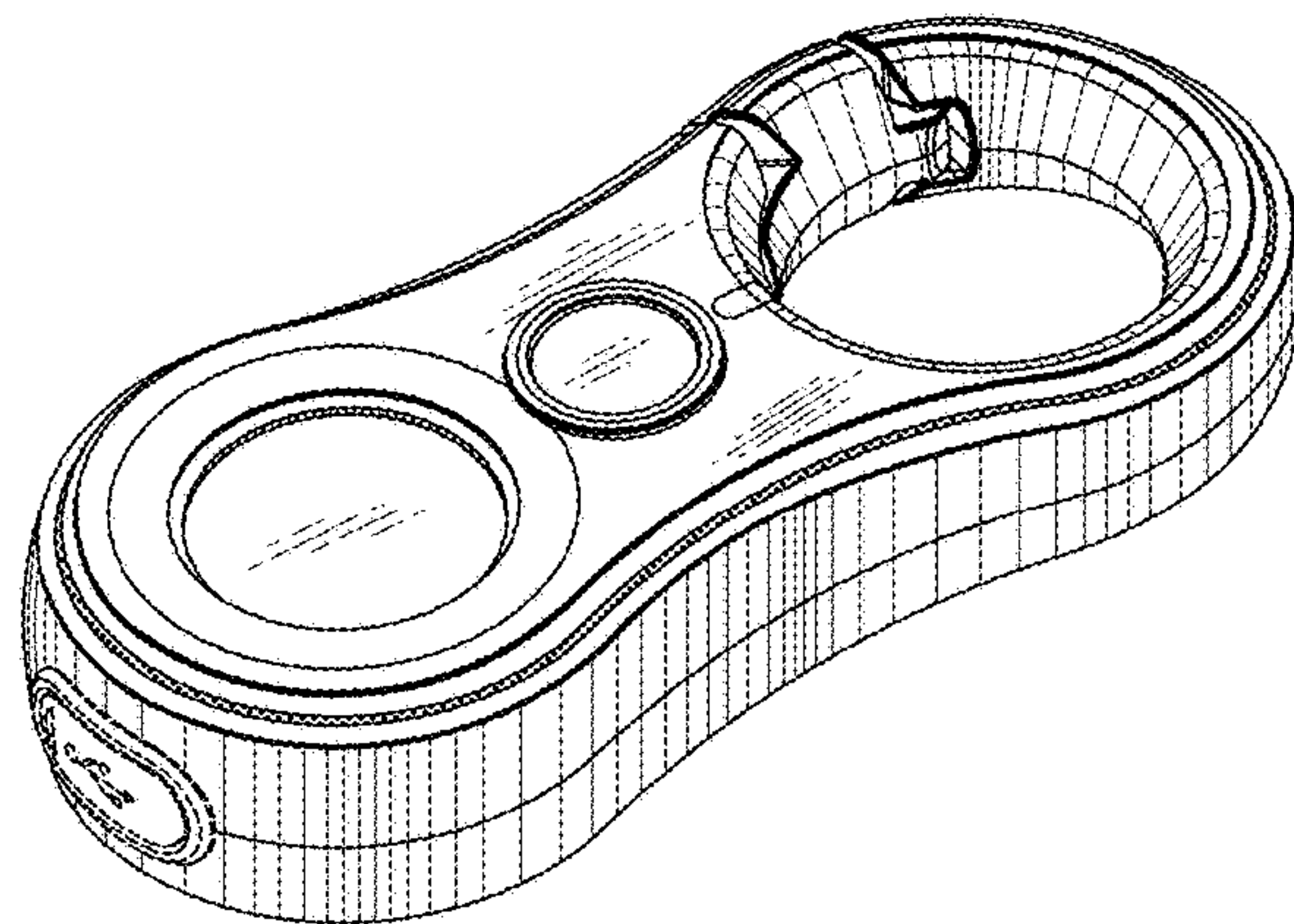




FIG. 6

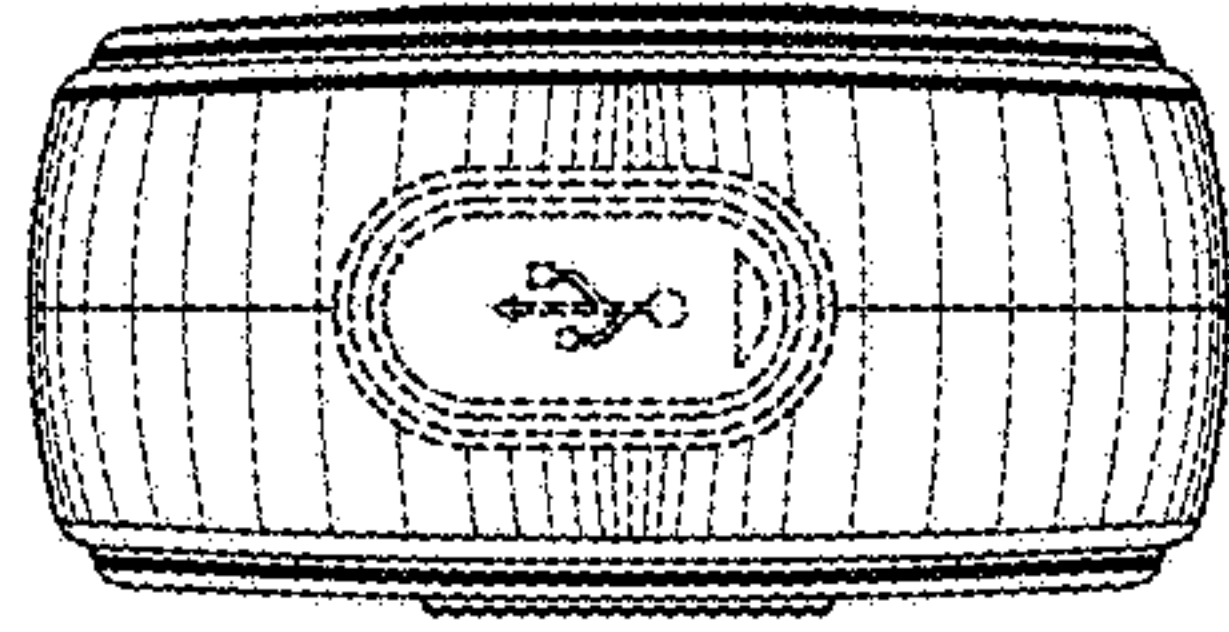


FIG. 3

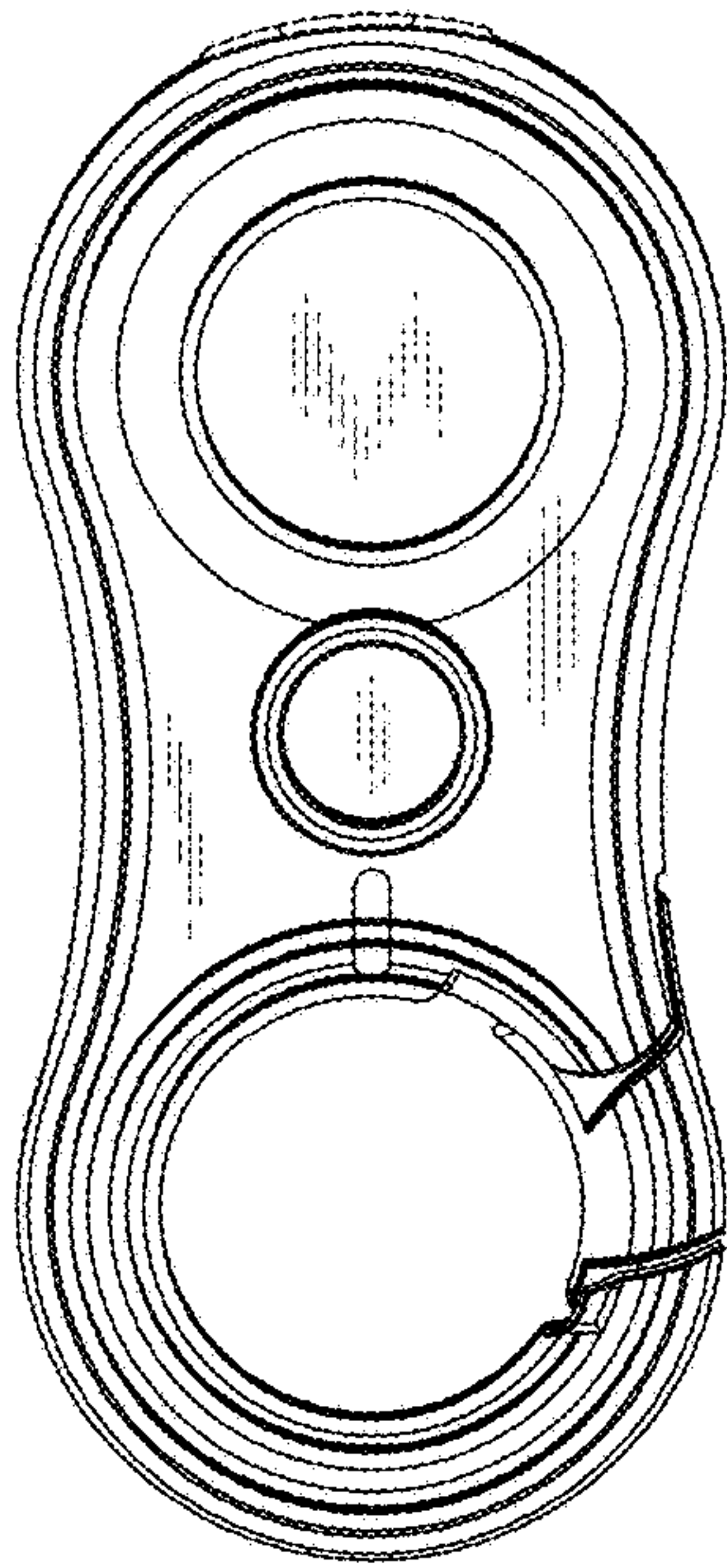


FIG. 4

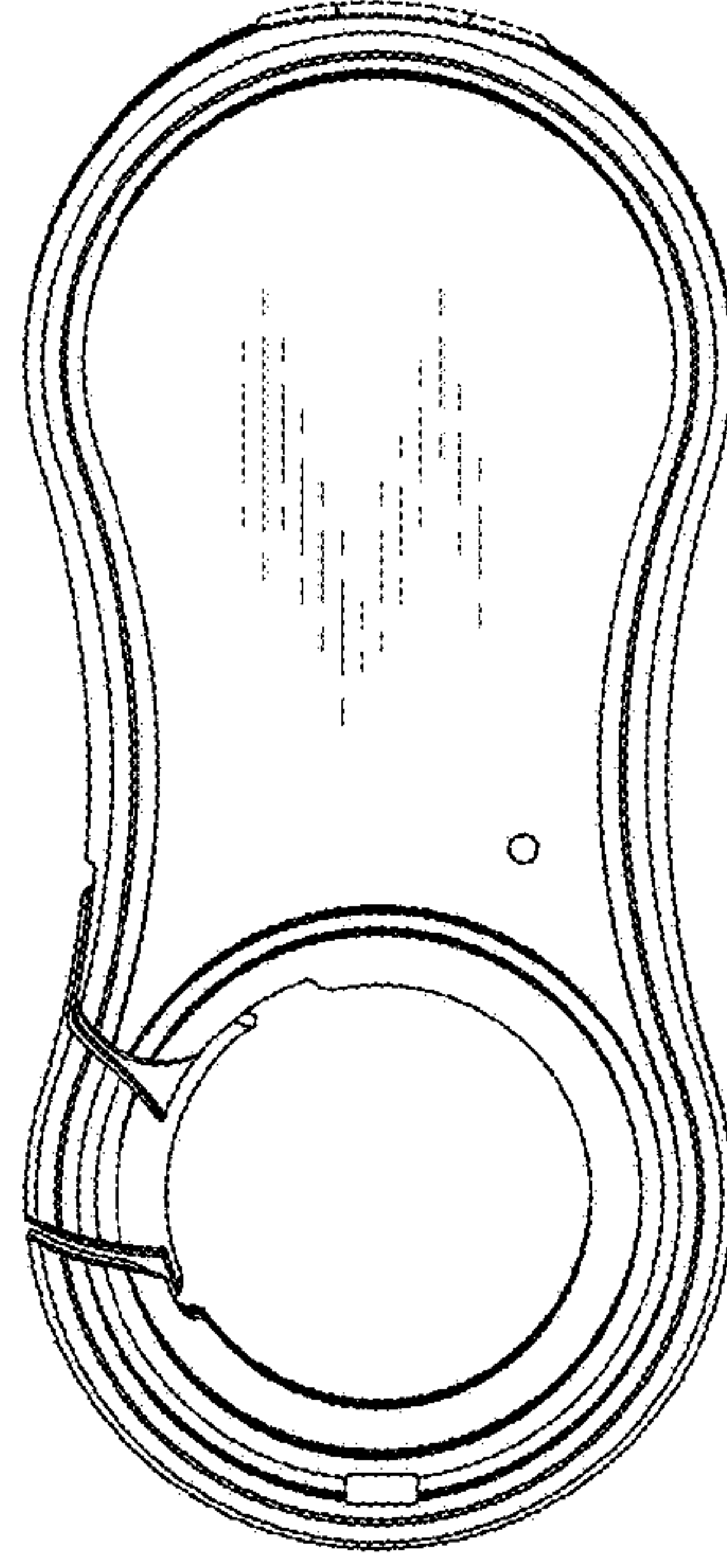


FIG. 5

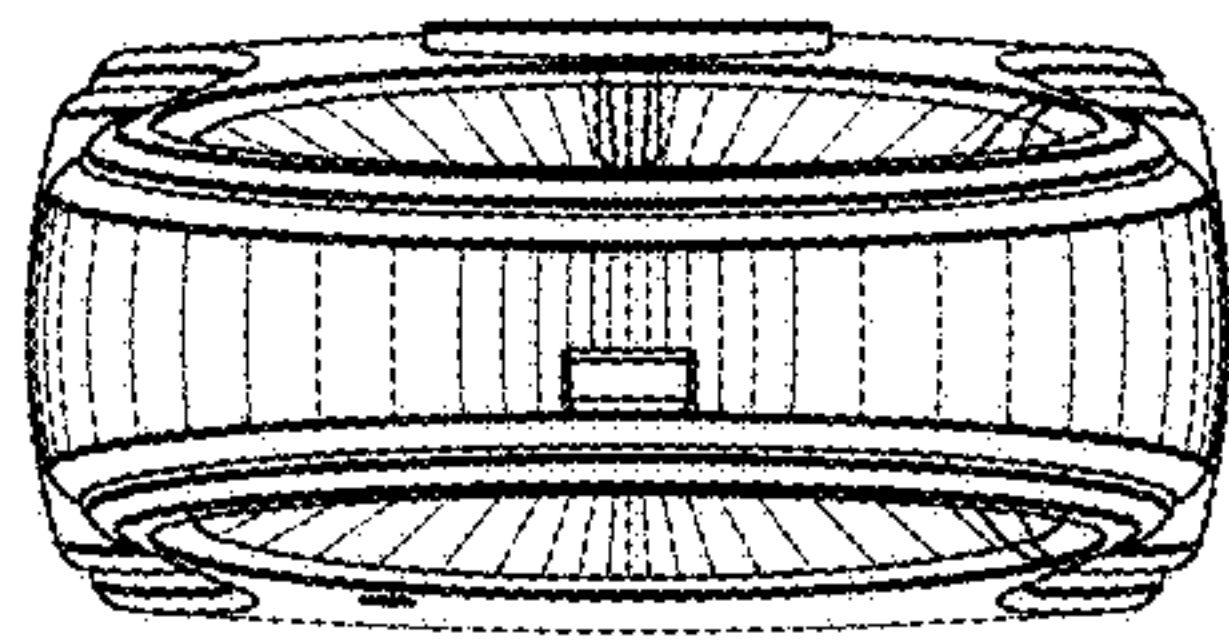


FIG. 7

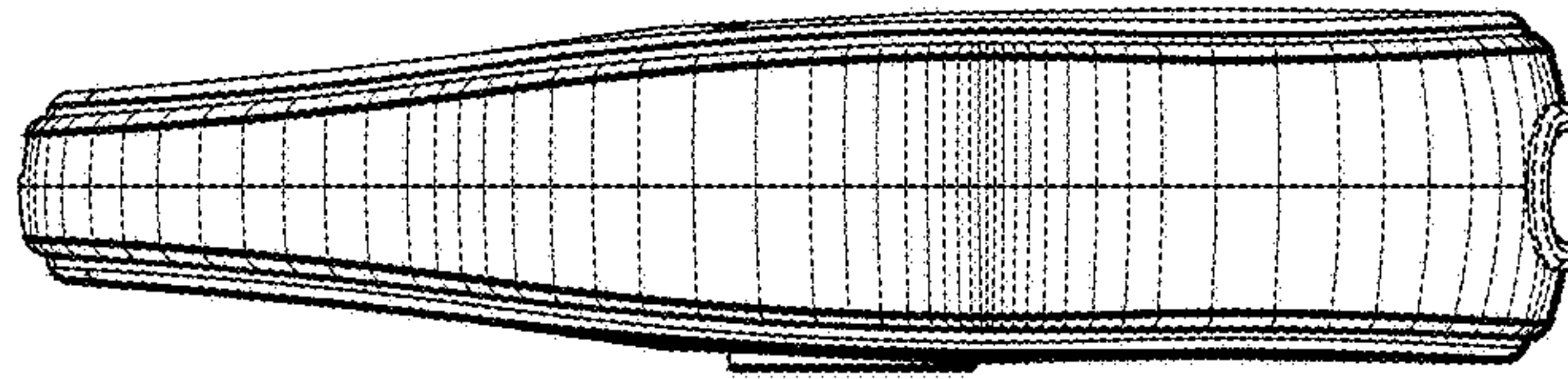


FIG. 8

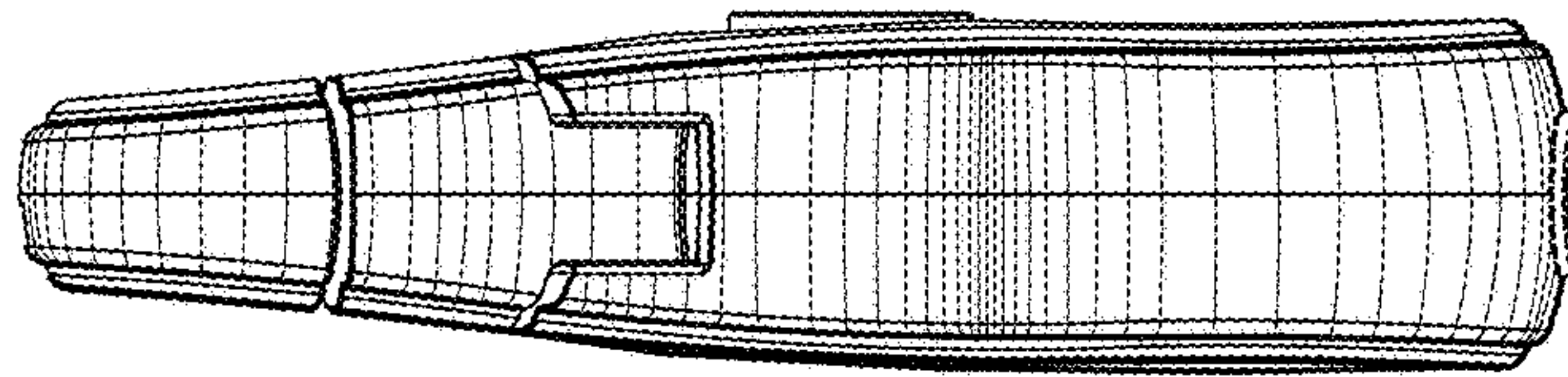


FIG. 9

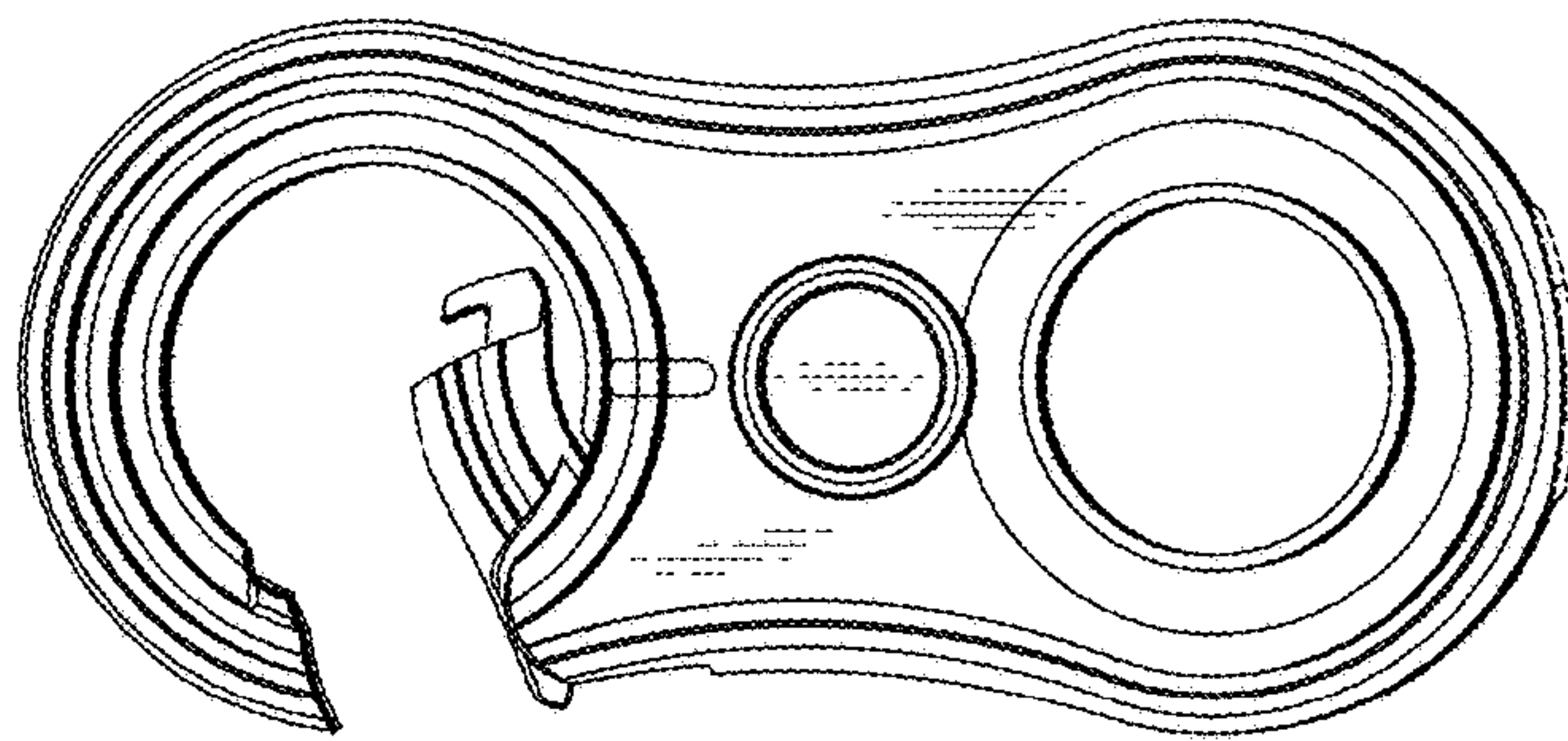


FIG. 10

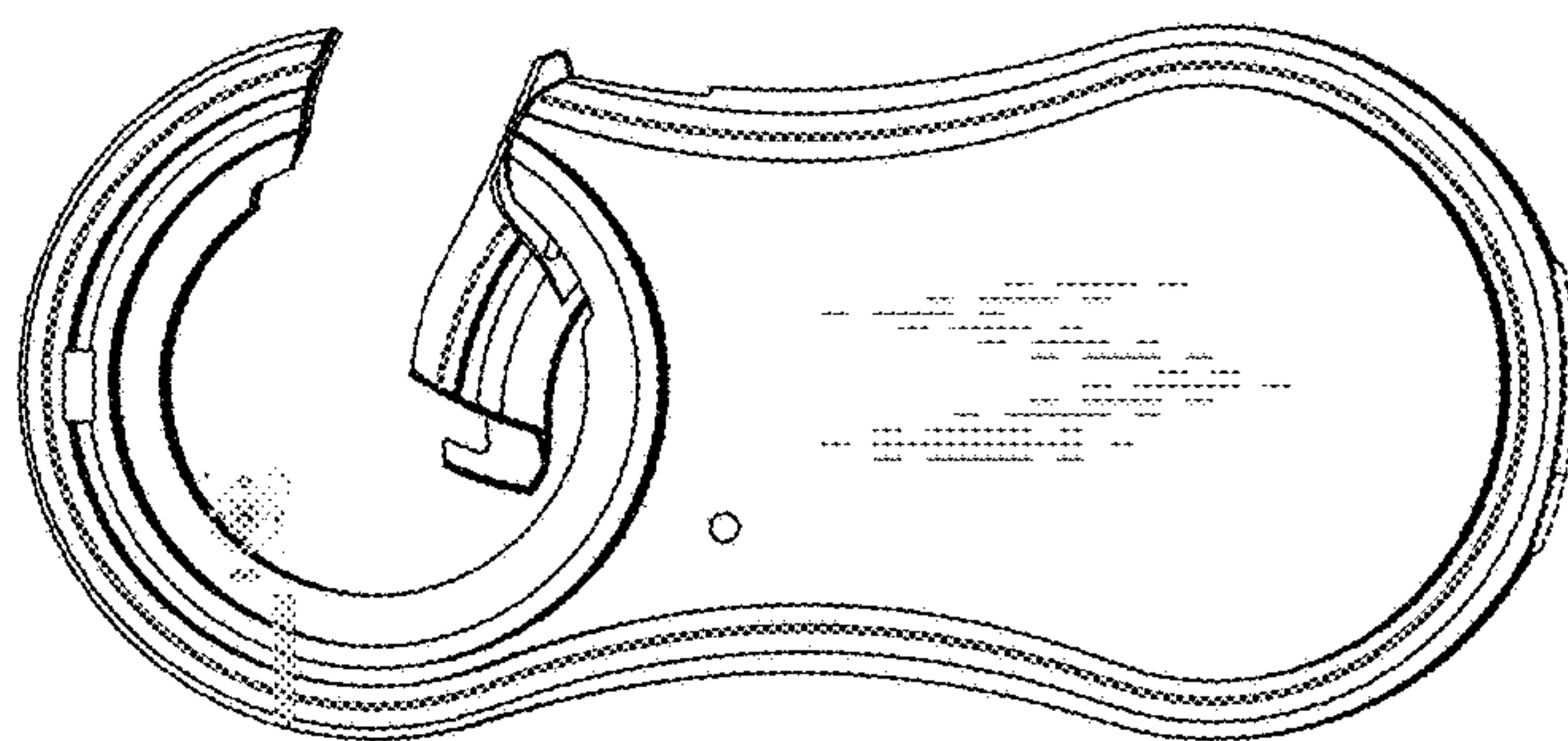


FIG. 11

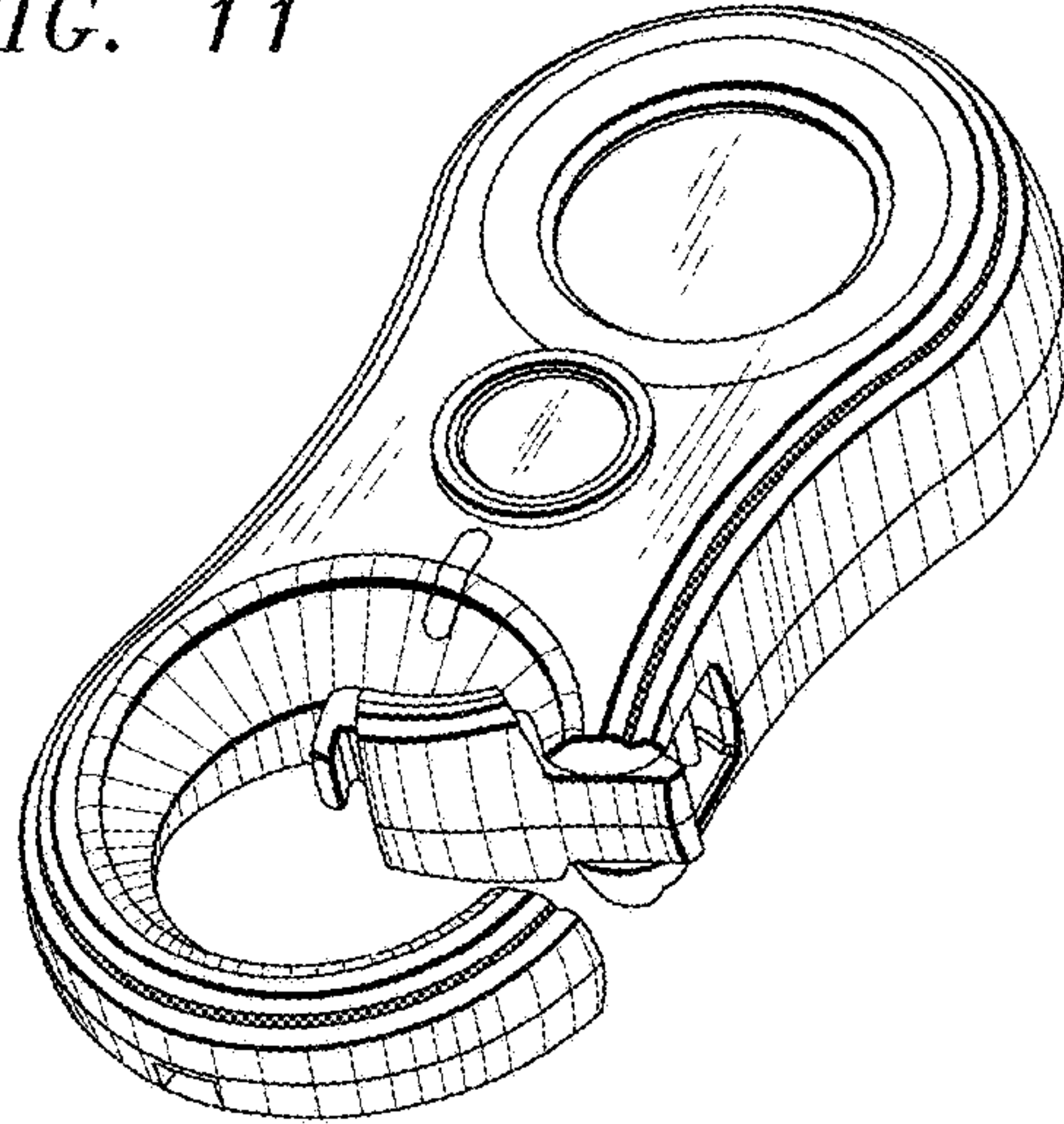


FIG. 12

