



US00D889287S

(12) **United States Design Patent** (10) **Patent No.:** **US D889,287 S**
Lalo (45) **Date of Patent:** **** Jul. 7, 2020**

(54) **WATCH**
(71) Applicant: **Invicta Watch Company**, Hollywood, FL (US)
(72) Inventor: **Eyal Lalo**, Hallandale, FL (US)
(73) Assignee: **Invicta Watch Company of America, Inc.**, Hollywood, FL (US)
(**) Term: **15 Years**
(21) Appl. No.: **29/661,114**
(22) Filed: **Aug. 24, 2018**
(51) **LOC (12) Cl.** **10-02**
(52) **U.S. Cl.**
USPC **D10/39**
(58) **Field of Classification Search**
USPC D10/30-39, 52-75, 98; D14/344
CPC G04B 3/046; G04B 3/048; G04B 19/00;
G04B 19/06; G04B 19/065; G04B 19/08;
G04B 19/082; G04B 19/085; G04B
19/087; G04B 19/10; G04B 19/103;
G04B 19/106; G04B 19/12; G04B 19/18;
G04B 19/22; G04B 19/24; G04B 19/241;
G04B 19/243; G04B 19/226; G04B
19/30; G04B 37/00; G04B 37/08; G04B
37/16; G04B 37/0058; G04B 45/0069;
G04B 45/0076; G04B 47/04; G04B
47/06; G04B 47/063; G04C 17/00
See application file for complete search history.

D566,586 S * 4/2008 Lalo D10/39
D582,792 S * 12/2008 Lalo D10/38
D586,668 S * 2/2009 Dias D10/38
D591,621 S * 5/2009 Nataf D10/39
D601,044 S * 9/2009 Lalo D10/39
D609,584 S * 2/2010 Lalo D10/32
D637,095 S * 5/2011 Vaptzarof D10/38
D649,890 S * 12/2011 Favre D10/38
D704,573 S * 5/2014 Tedeschi D10/39
D711,751 S * 8/2014 Laucella D10/39
8,851,743 B1 * 10/2014 Lalo G04B 3/043
368/315
D724,446 S * 3/2015 Favre D10/124
D793,880 S * 8/2017 Takahashi D10/30
D843,231 S * 3/2019 Manzoni D10/39
D843,233 S * 3/2019 Torre D10/39

* cited by examiner

Primary Examiner — Sandra S Snapp
Assistant Examiner — Katherine Glennon
(74) *Attorney, Agent, or Firm* — Seth Natter; Natter & Natter

(57) **CLAIM**

The ornamental design for a watch, as shown and described.

DESCRIPTION

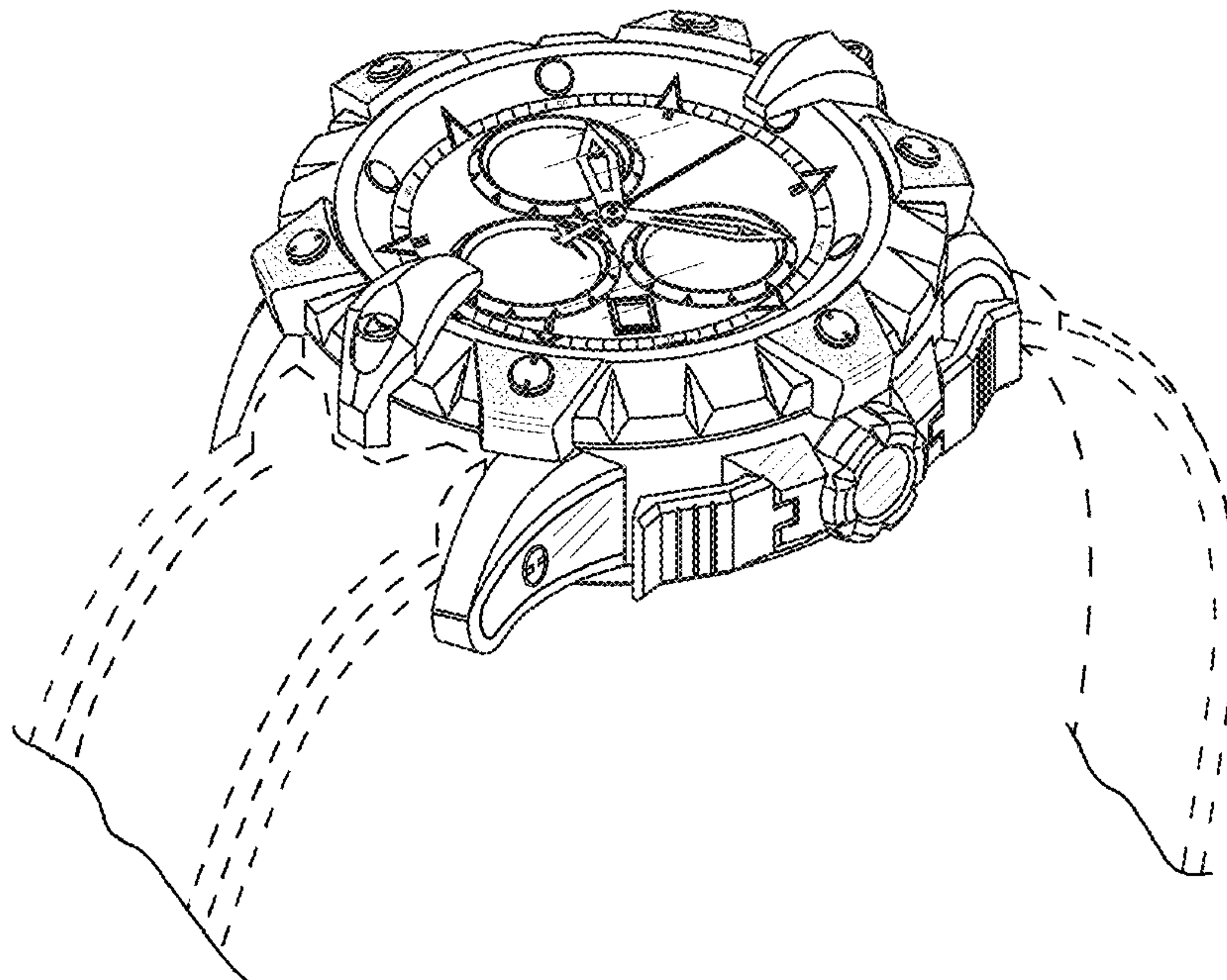
FIG. 1 is a perspective view of a watch showing my new design;
FIG. 2 is a top view thereof;
FIG. 3 is a bottom view thereof;
FIG. 4 is a right side view thereof;
FIG. 5 is a left side view thereof;
FIG. 6 is a front view thereof; and,
FIG. 7 is a back view thereof.
The broken lines show portions of the watch that form no part of the claimed design.

(56) **References Cited**

U.S. PATENT DOCUMENTS

D539,674 S * 4/2007 Vaptzarof D10/38
D551,101 S * 9/2007 Nataf D10/38

1 Claim, 7 Drawing Sheets



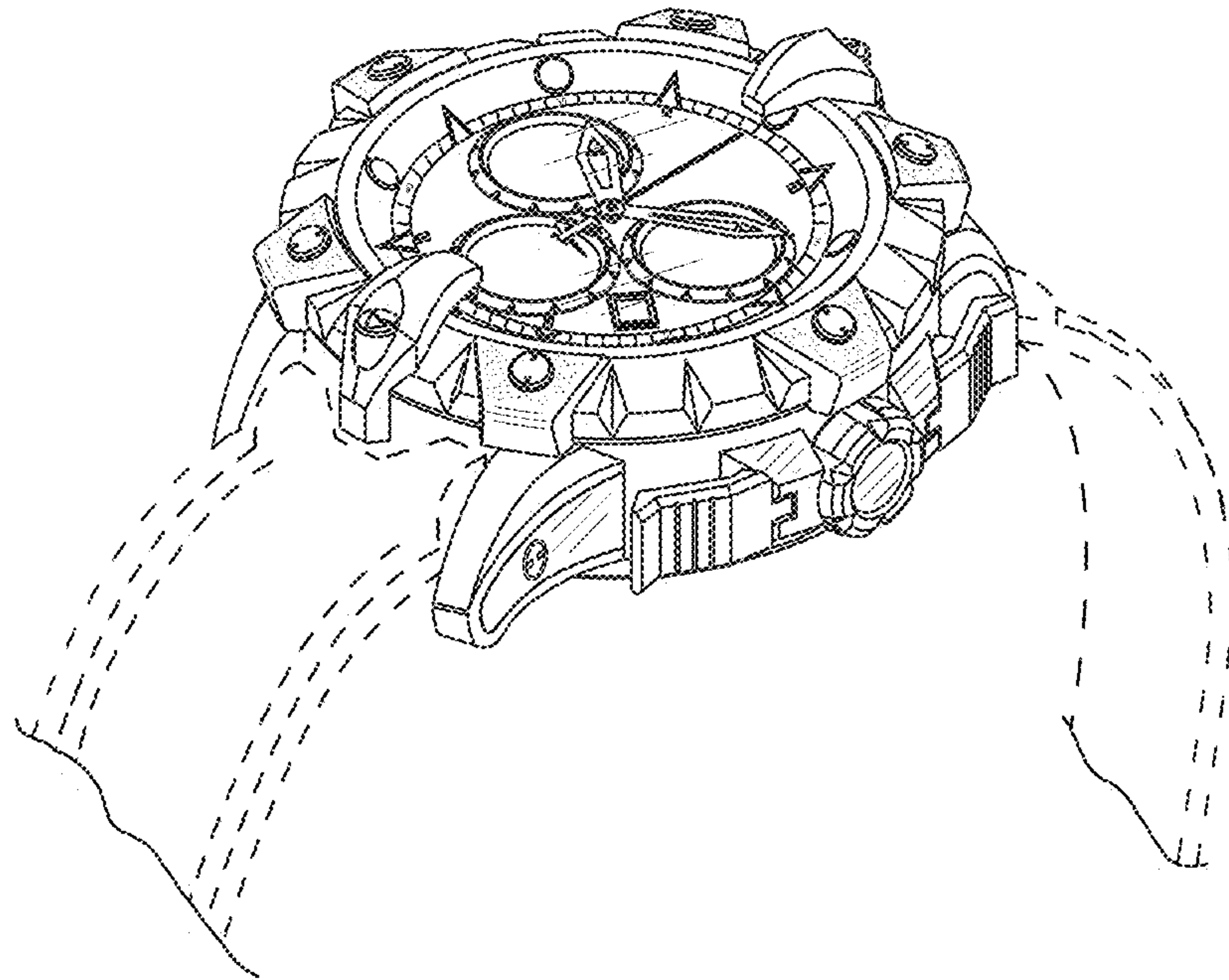


FIG. 1

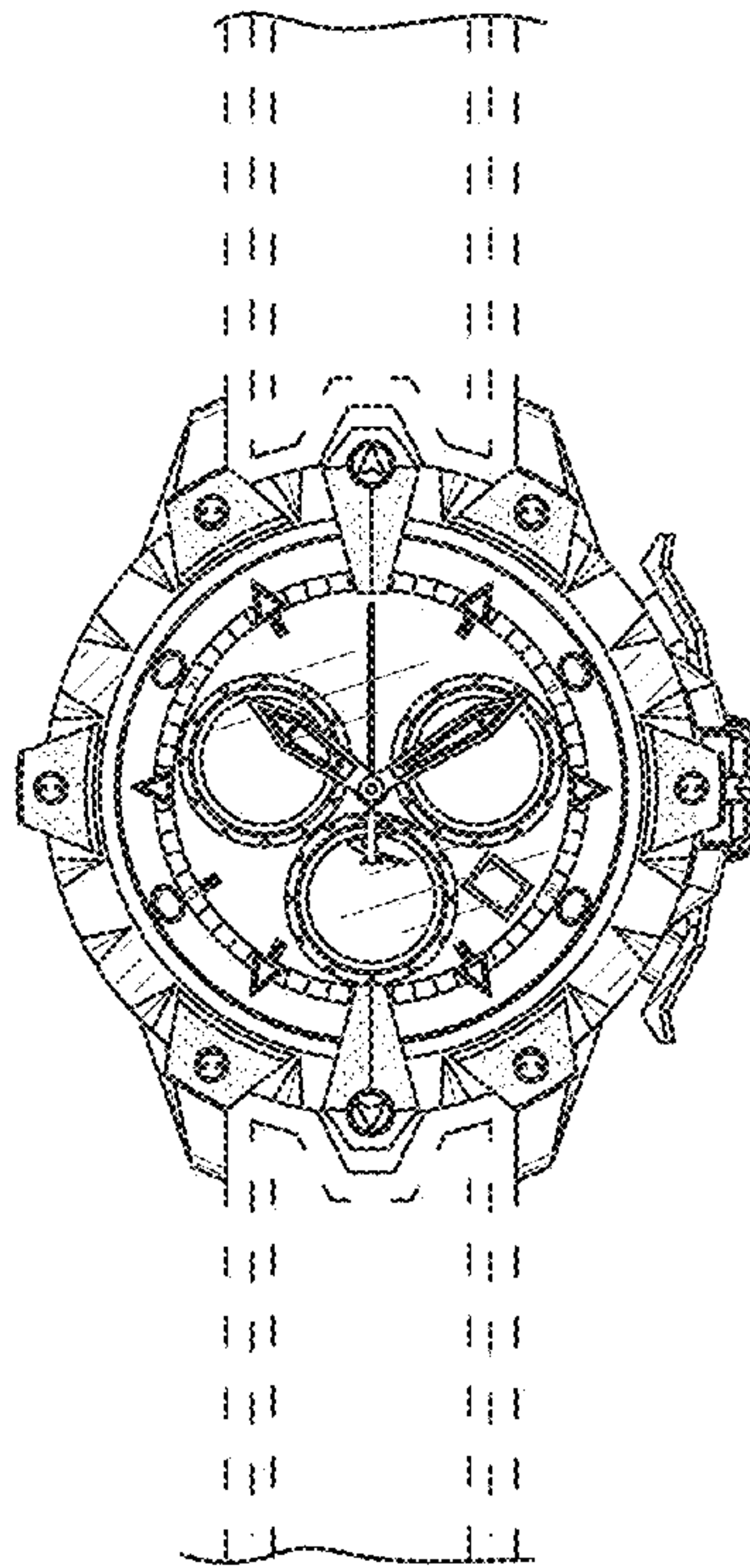


FIG. 2

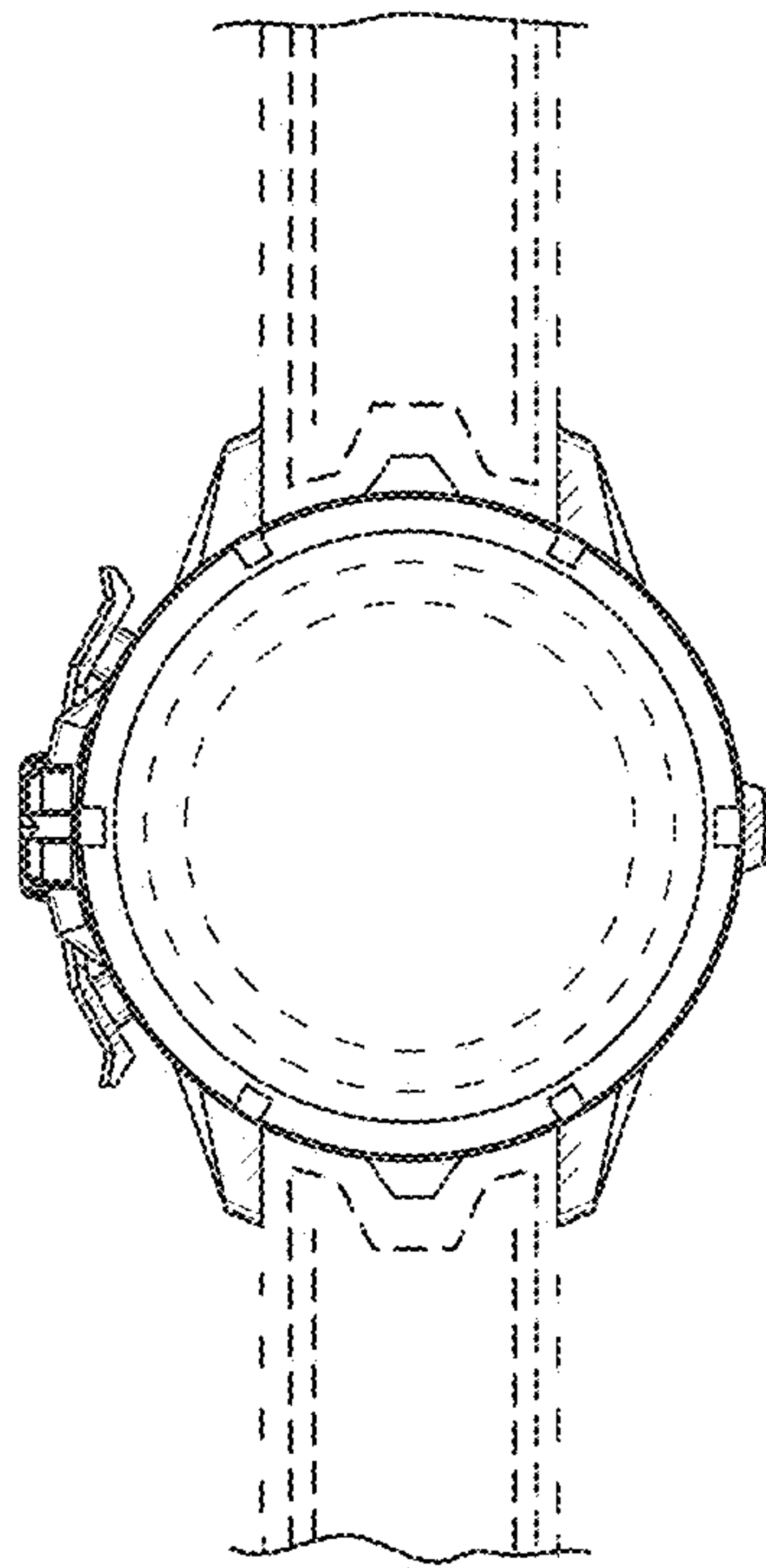


FIG. 3

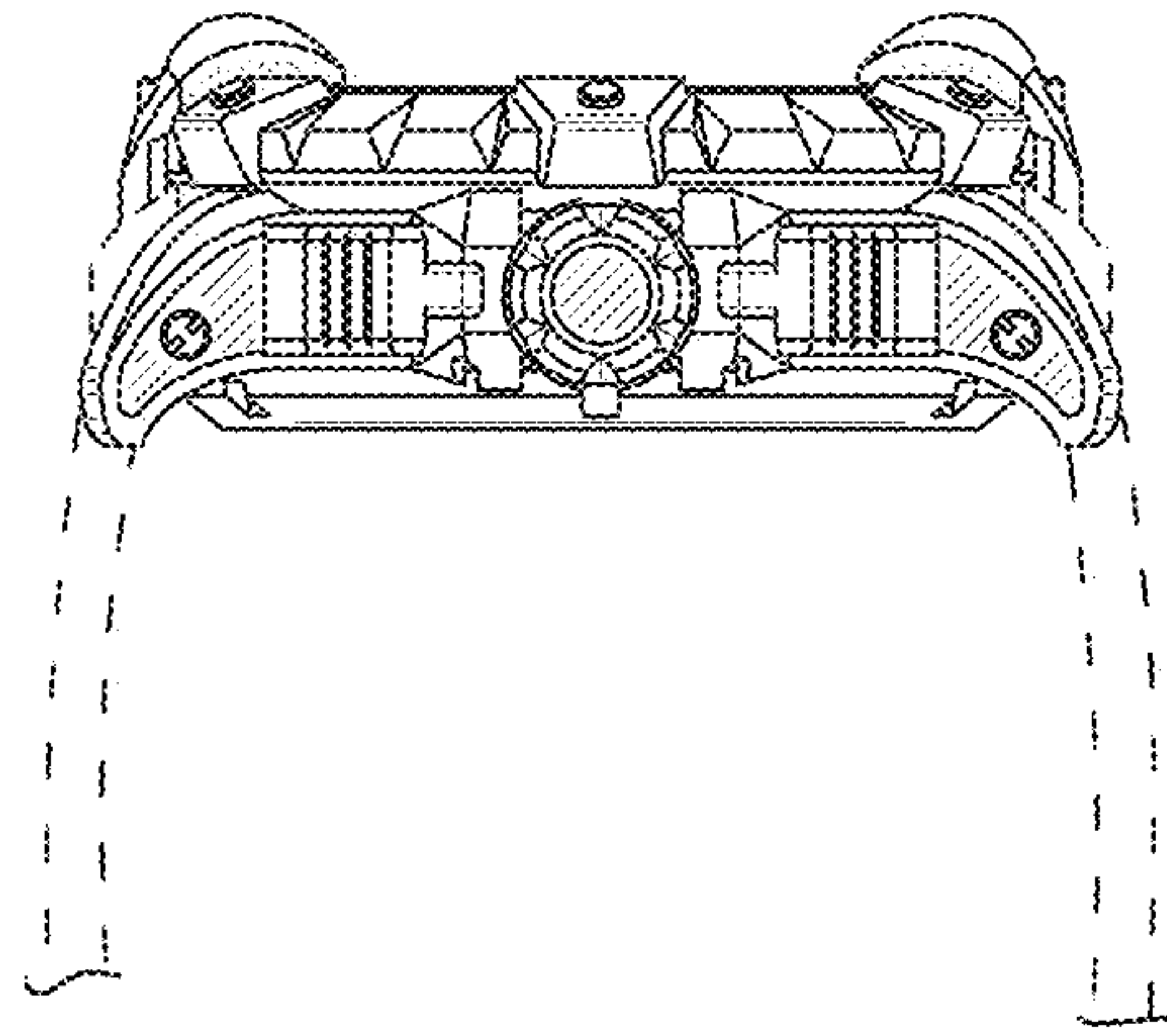


FIG. 4

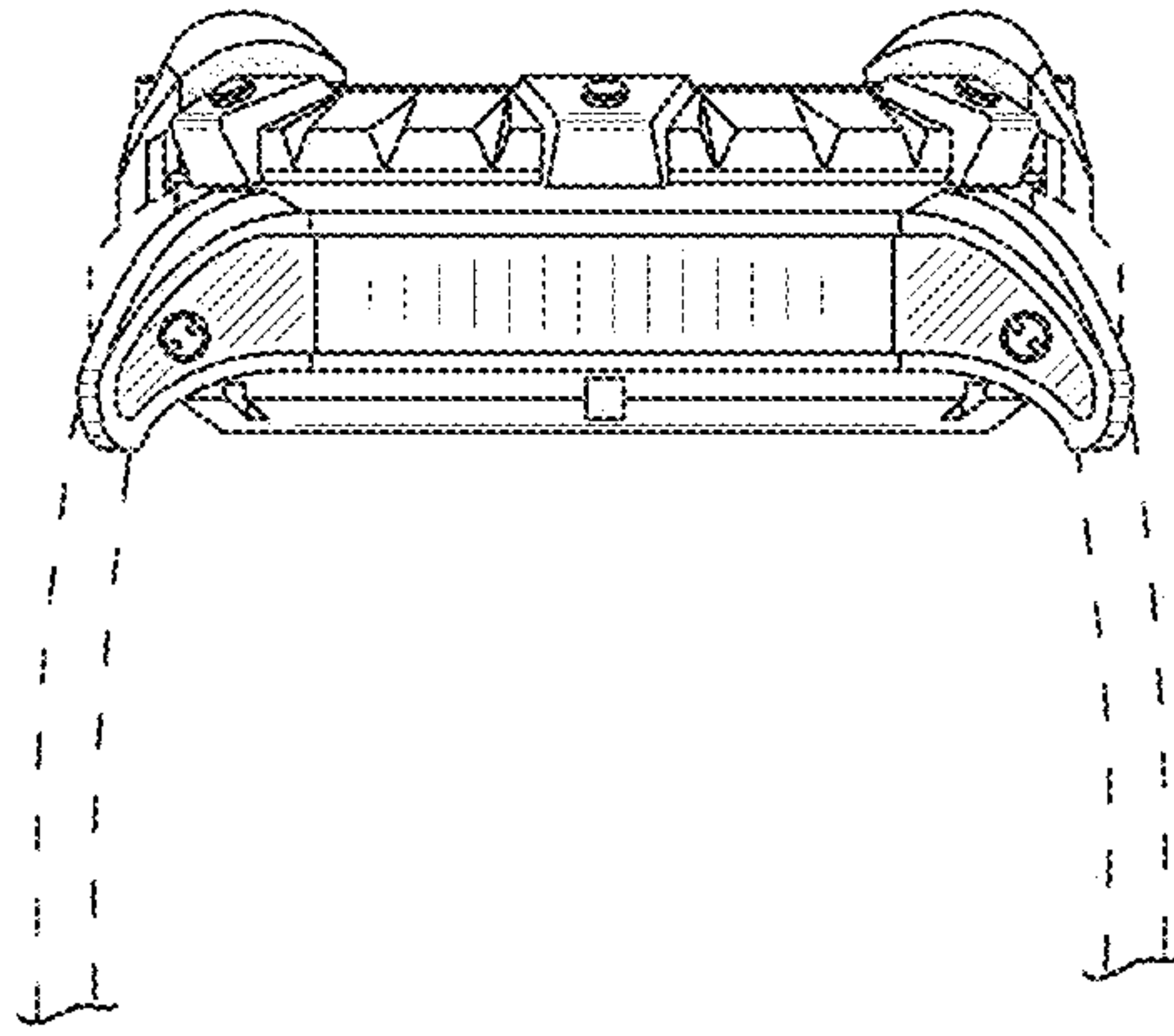


FIG. 5

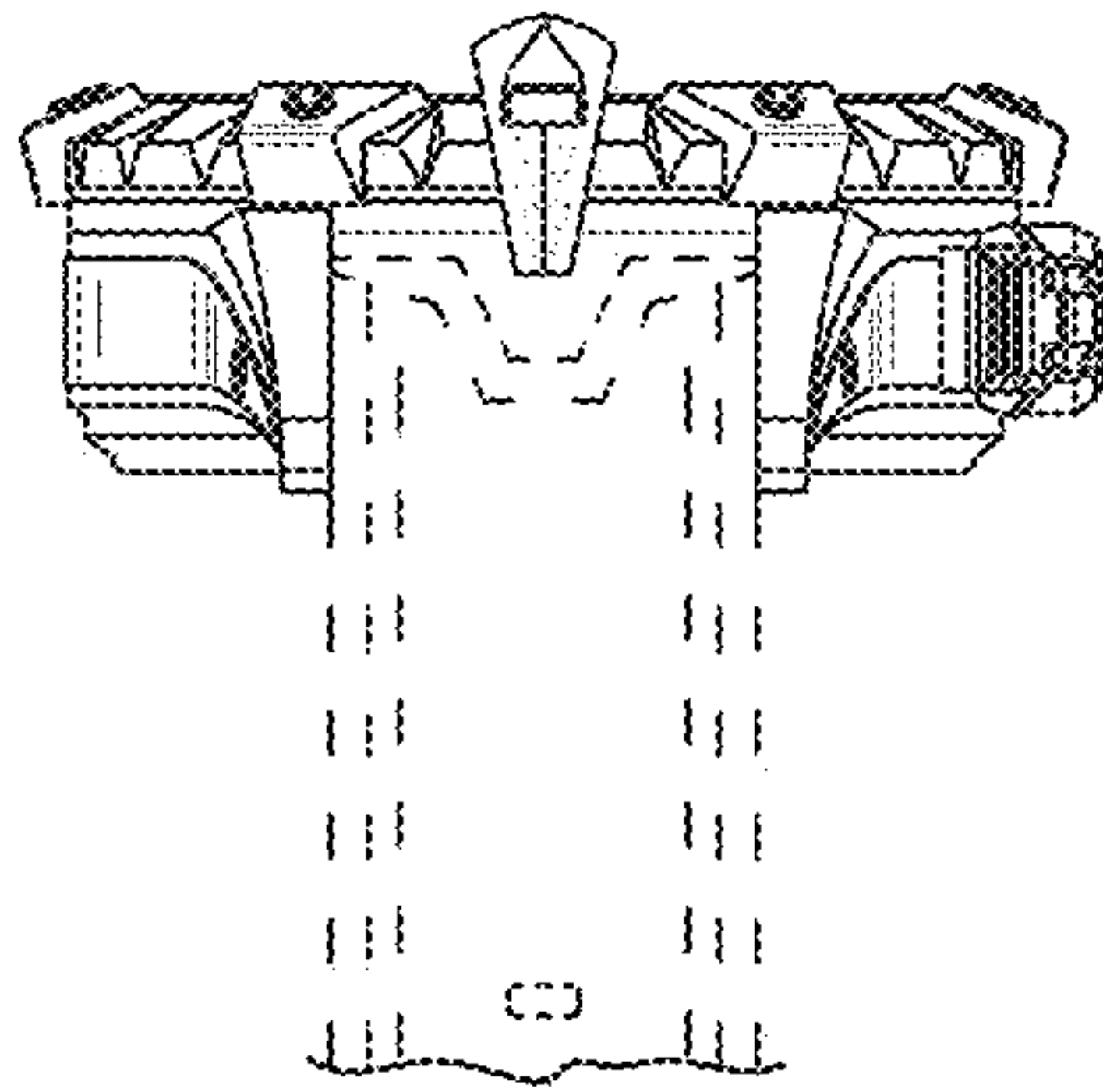


FIG. 6

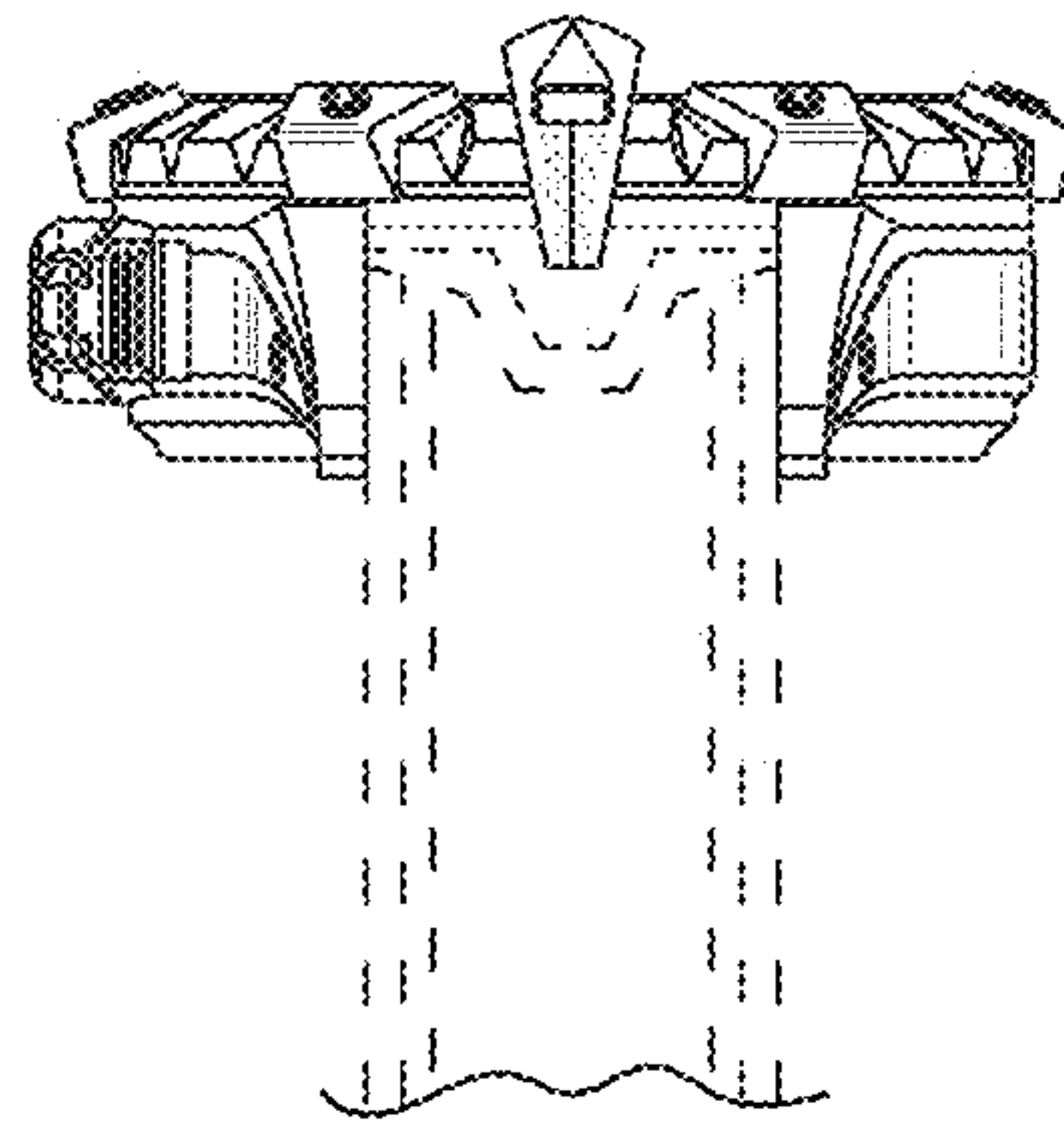


FIG. 7