



US00D889286S

(12) **United States Design Patent**
Chan

(10) **Patent No.:** **US D889,286 S**
(45) **Date of Patent:** **** Jul. 7, 2020**

(54) **WATCH**

(71) Applicant: **BERENBERG LIMITED**, Bütschwil (CH)

(72) Inventor: **Angela Chan**, Miami, FL (US)

(73) Assignee: **Berenberg Limited**, Butschwil (CH)

(**) Term: **15 Years**

(21) Appl. No.: **29/658,401**

(22) Filed: **Jul. 31, 2018**

(51) **LOC (12) Cl.** **10-02**

(52) **U.S. Cl.**
USPC **D10/38**

(58) **Field of Classification Search**

USPC D10/1-2, 22, 30-39, 40-41, 122-126, D10/128, 129, 132

CPC G04B 19/00; G04B 19/02; G04B 19/025; G04B 19/04; G04B 19/042; G04B 19/044; G04B 19/046; G04B 19/23; G04B 19/18; G04B 19/06; G04B 19/065; G04B 19/08; G04B 19/082; G04B 19/085; G04B 19/087; G04B 19/10; G04B 19/103; G04B 19/106; G04B 19/12; G04B 19/166; G04B 19/20; G04B 19/22; G04B 19/262; G04B 19/264; G04B 37/00; G04B 37/008; G04B 45/00; G04B 45/0069; G04B 45/0076; G04B 47/00; G04B 47/048; G04B 5/04; G04B 5/06; G04B 5/08; G04B 5/10; G04B 5/12; G04B 5/14; G04B 5/16; G04B 5/18; G04B 19/223; G04B 19/283; G09B 19/12; G07C 1/28; G04F 7/0861

See application file for complete search history.

(56) **References Cited**

U.S. PATENT DOCUMENTS

D96,676 S * 8/1935 King D10/126
D315,104 S * 3/1991 Sugano D10/30

D384,293 S * 9/1997 Woo D10/30
D401,163 S * 11/1998 Buchser D10/32
D456,718 S * 5/2002 Scarinzi D10/30
D533,088 S * 12/2006 Bedat D10/39
D546,713 S * 7/2007 Benatar D10/38
D564,909 S * 3/2008 Kume D10/38
D565,431 S * 4/2008 Hatt D10/38
D664,449 S * 7/2012 Rabassa D10/39
D674,294 S * 1/2013 Vaptzarof D10/38
D704,573 S * 5/2014 Tedeschi D10/39

(Continued)

OTHER PUBLICATIONS

Pierre Gaston Atelier Watch | posted at acquirenow.baerandbosch.com; no posting date watch circa 2016 [online]. © 2012-2019 Baer & Bosch Auctioneers, Inc [retrieved Dec. 16, 2019] from Internet: <<https://acquirenow.baerandbosch.com/product/lot-an3132a-pierre-gaston-atelier/>> (Year: 2016).*

Primary Examiner — Sandra S Snapp

Assistant Examiner — Katherine Glennon

(74) *Attorney, Agent, or Firm* — Gregory L. Mayback; Dickinson Wright PLLC

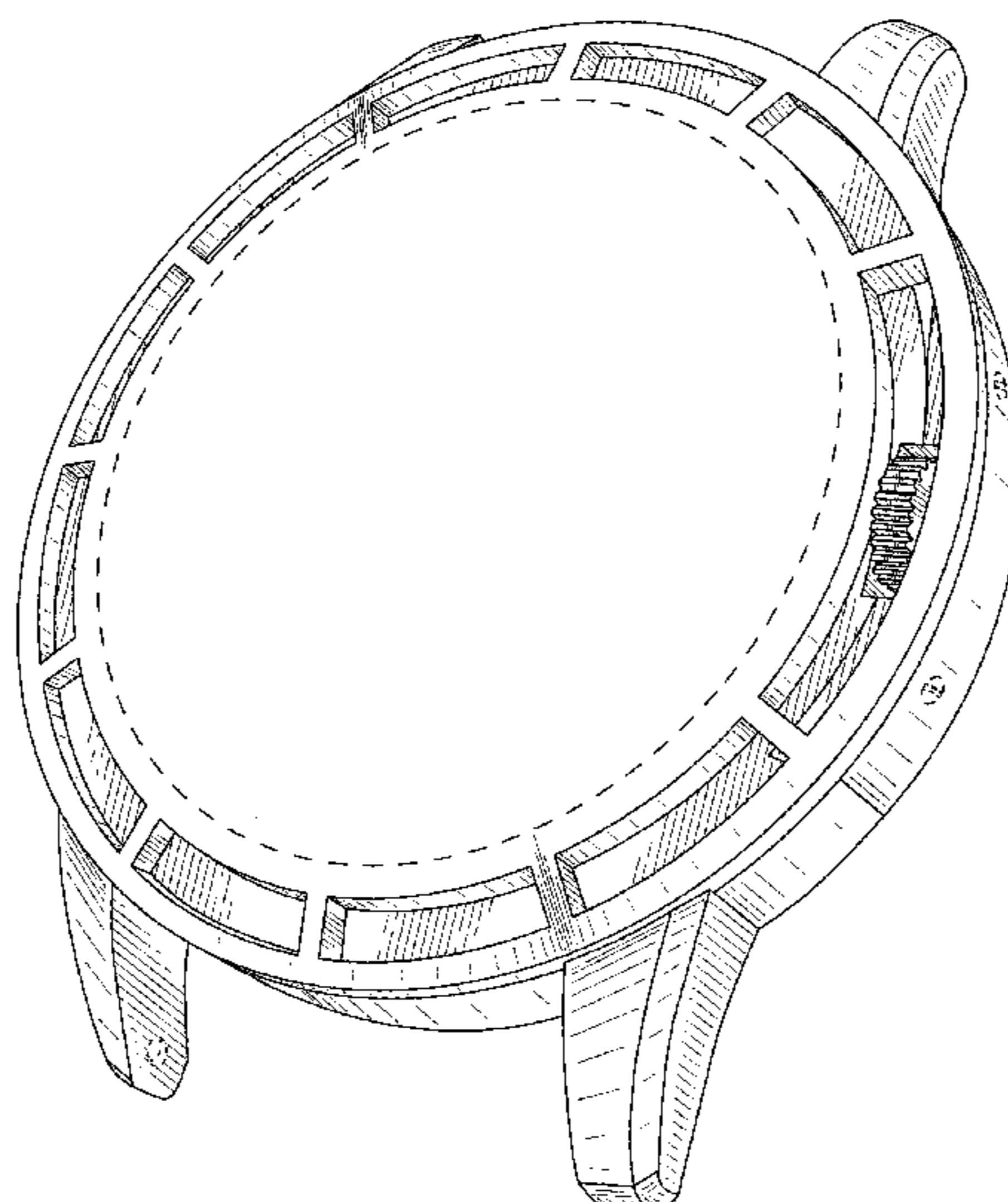
(57) **CLAIM**

The ornamental design for a watch, as shown and described.

DESCRIPTION

FIG. 1 is a perspective view of a watch showing my new design;
FIG. 2 is a front elevational view thereof;
FIG. 3 is a rear elevational view thereof;
FIG. 4 is a right side elevational view thereof;
FIG. 5 is a left side elevational view thereof;
FIG. 6 is a top side elevational view thereof; and,
FIG. 7 is a bottom side elevational view thereof.
The dashed lines in FIGS. 1 to 7 show portions of the watch that form no part of the claimed design.

1 Claim, 7 Drawing Sheets



(56)

References Cited

U.S. PATENT DOCUMENTS

D734,195 S * 7/2015 Kuo D10/128
2016/0103427 A1 * 4/2016 Westra G04B 19/22
368/22

* cited by examiner

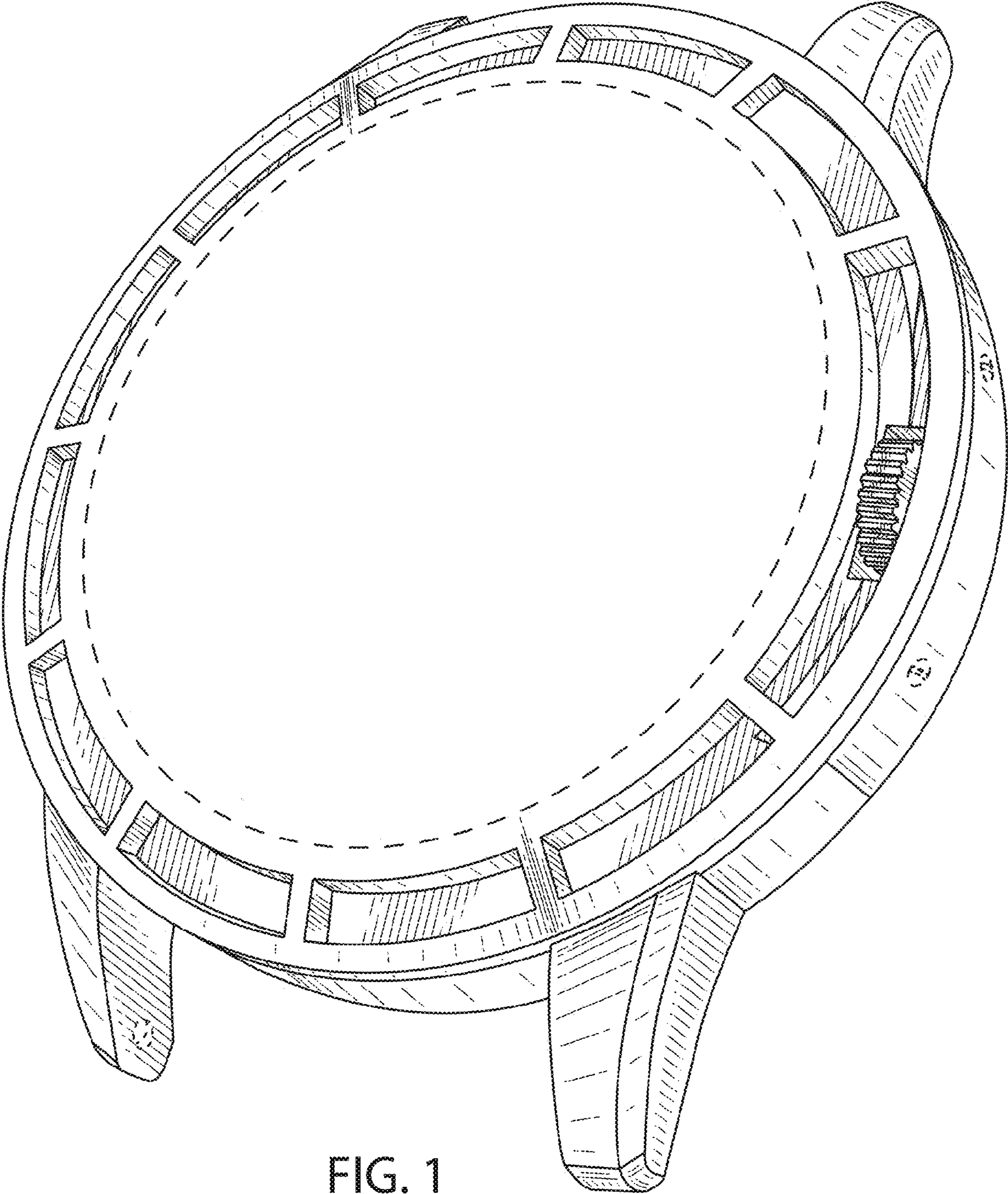


FIG. 1

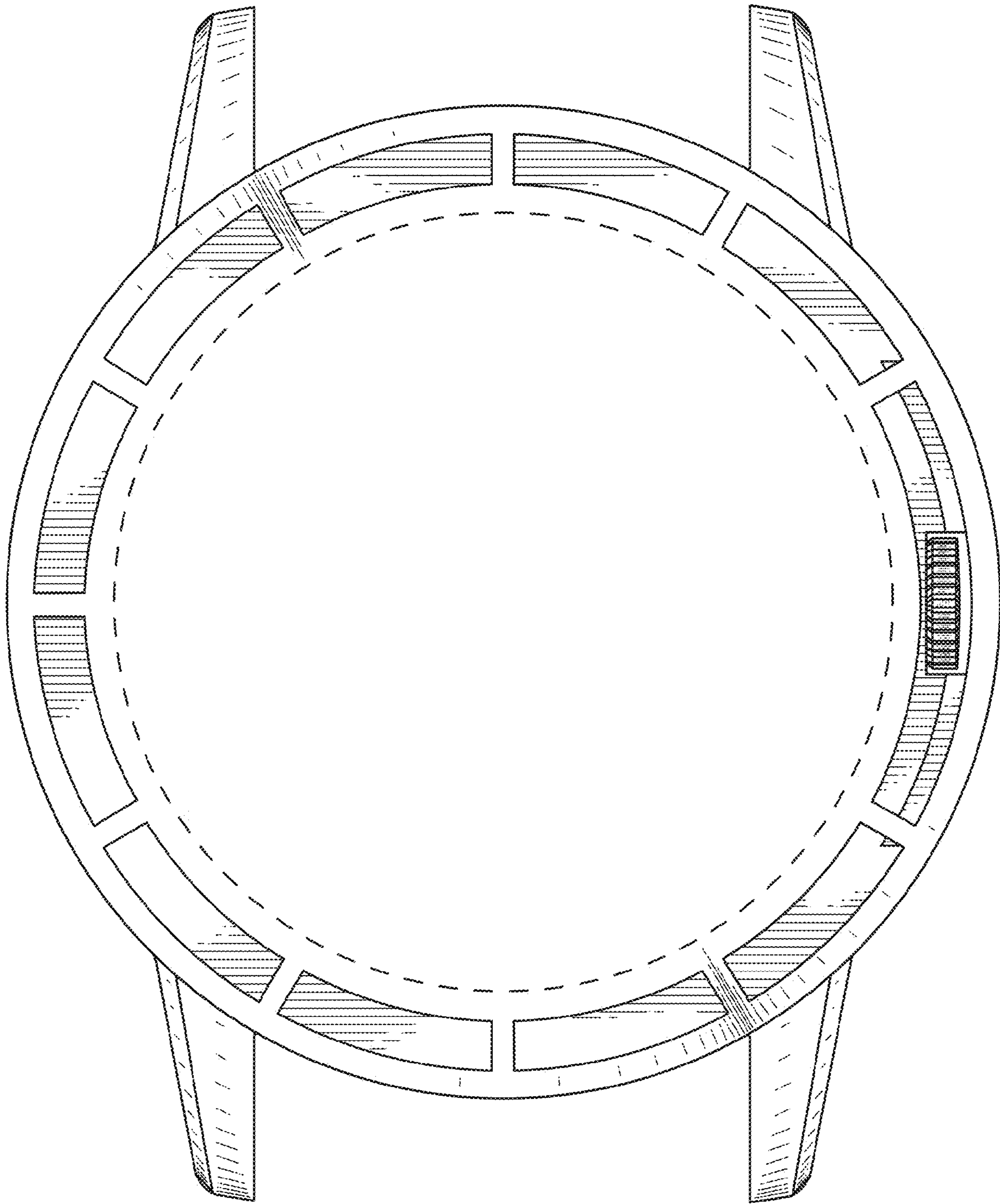


FIG. 2

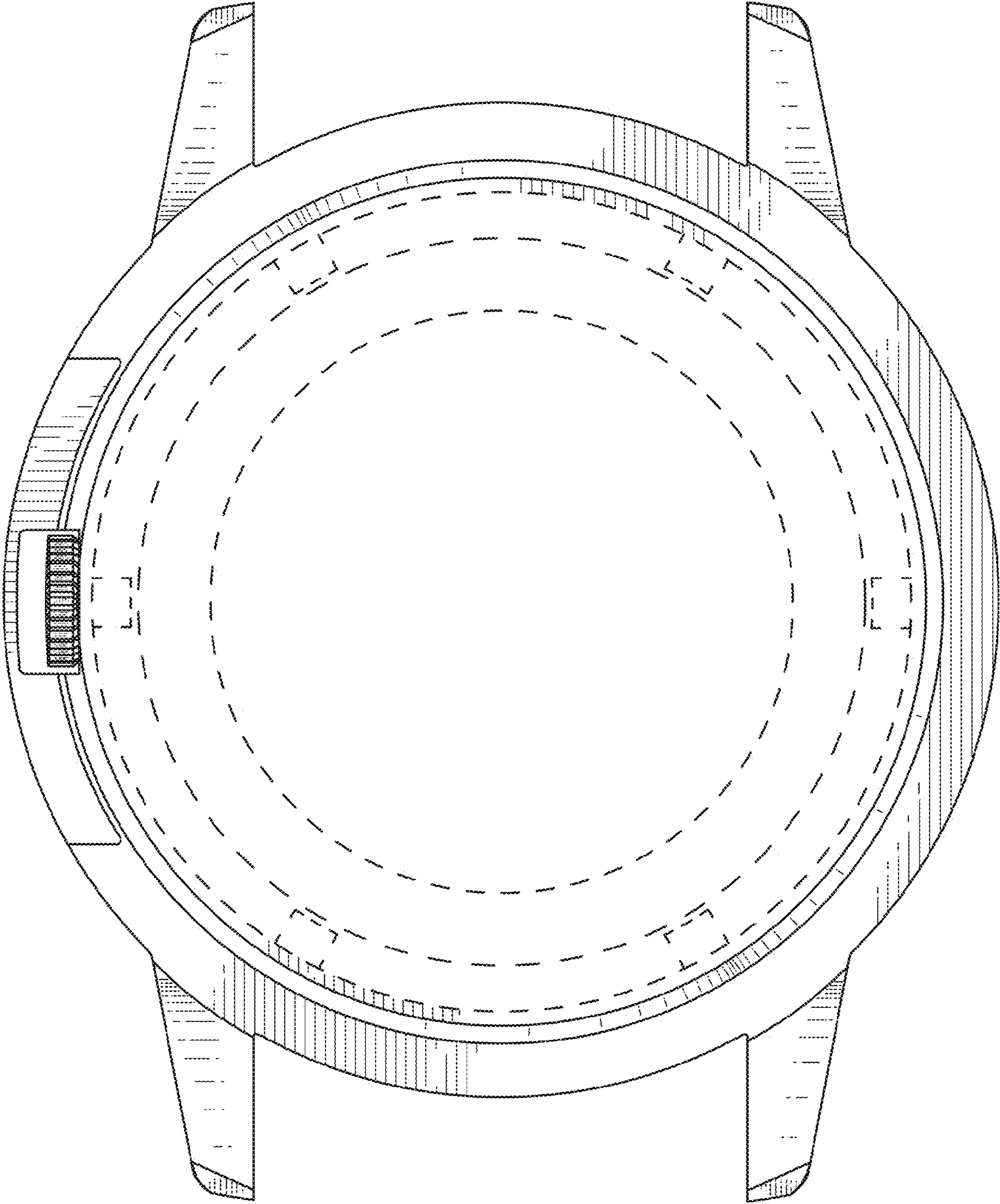


FIG. 3

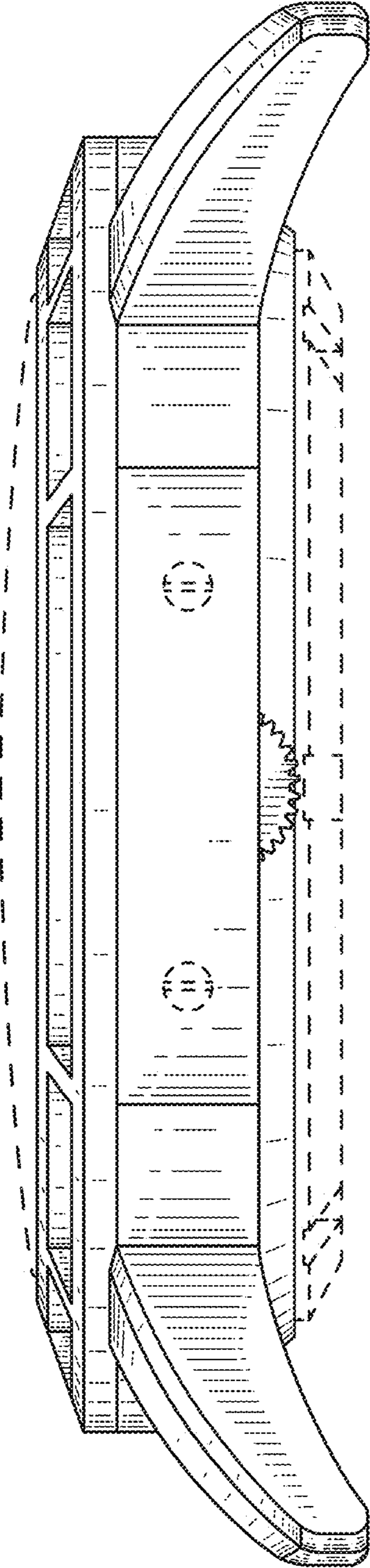


FIG. 4

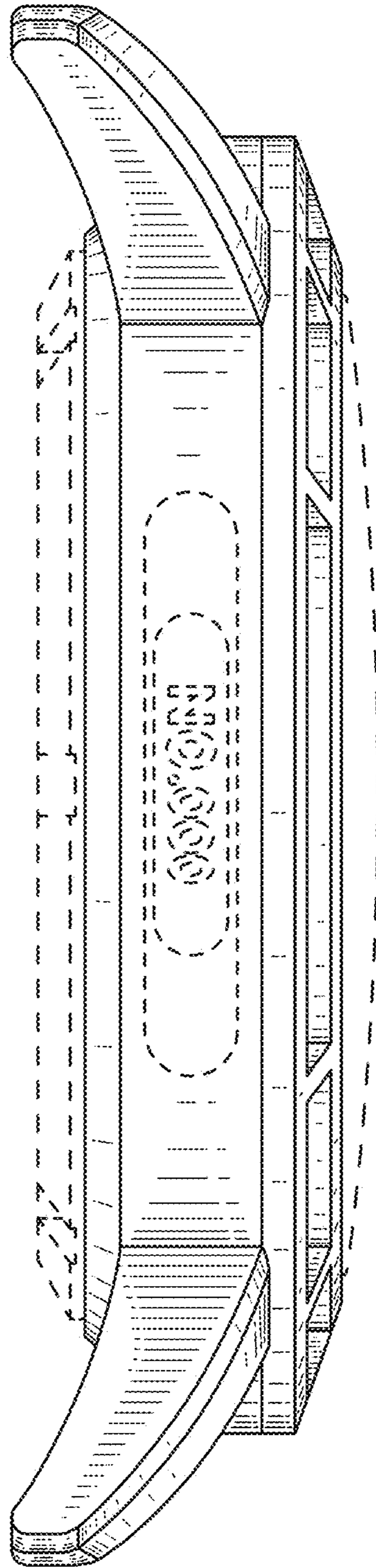


FIG. 5

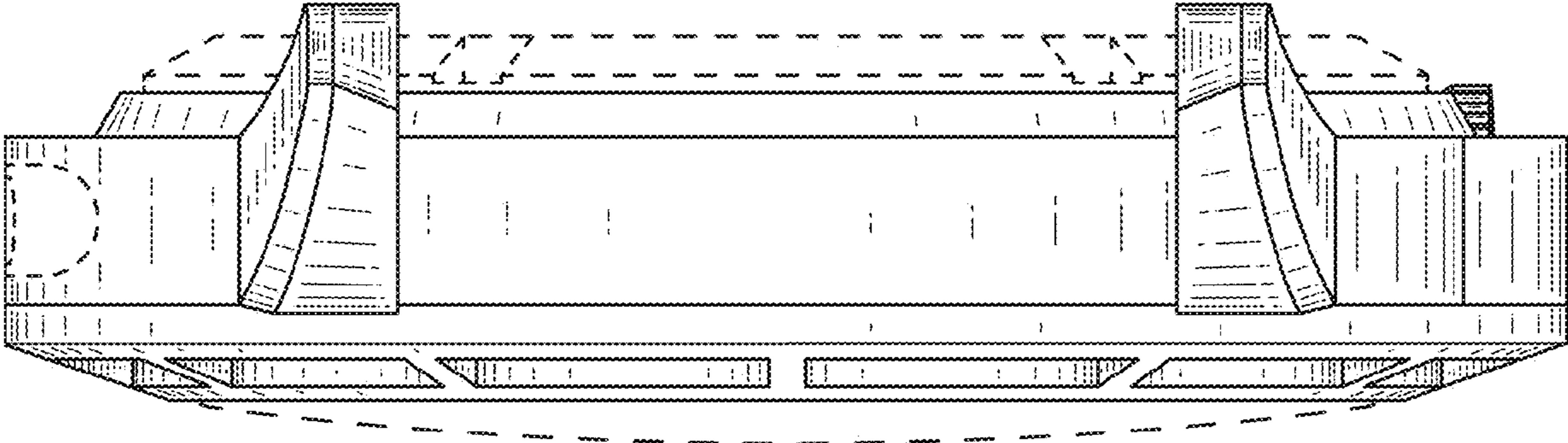


FIG. 6

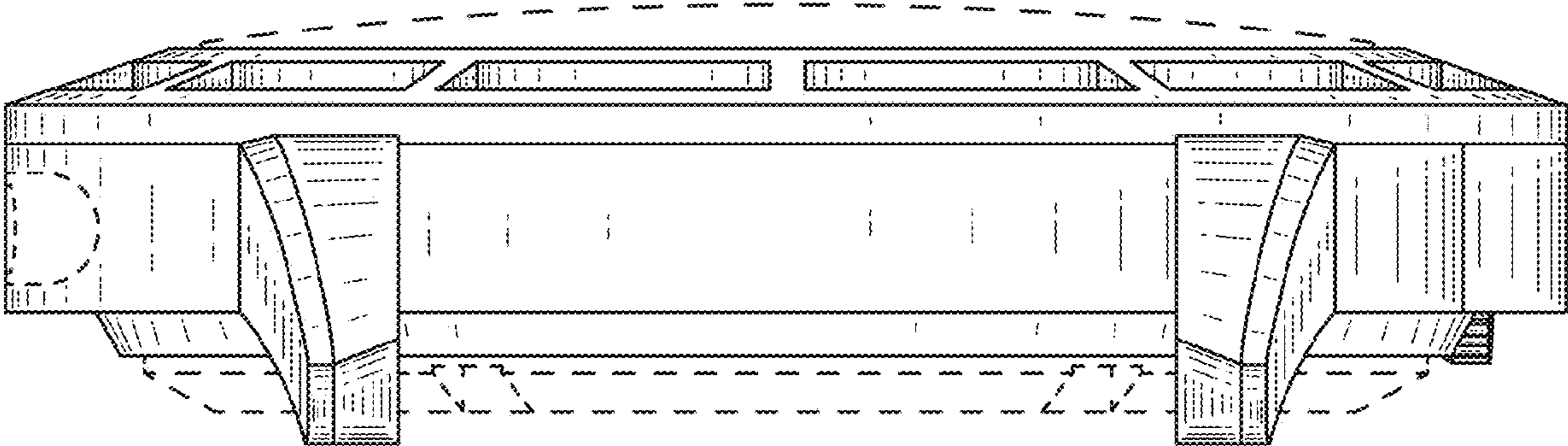


FIG. 7