



US00D889283S

(12) **United States Design Patent** (10) **Patent No.:** **US D889,283 S**
Patel et al. (45) **Date of Patent:** **** Jul. 7, 2020**

- (54) **ELONGATED TISSUE DISPENSING BOX WITH A BASE**
- (71) Applicant: **Ashtel Studios, Inc.**, Ontario, CA (US)
- (72) Inventors: **Anish Patel**, Fontana, CA (US);
Christopher Beaumont, Brooklyn, NY (US)
- (73) Assignee: **Ashtel Studios, Inc.**, Ontario, CA (US)
- (**) Term: **15 Years**
- (21) Appl. No.: **29/684,404**
- (22) Filed: **Mar. 20, 2019**
- (51) **LOC (12) Cl.** **09-01**
- (52) **U.S. Cl.**
USPC **D9/734**
- (58) **Field of Classification Search**
USPC D9/414, 416, 432, 433, 730, 734;
D6/515, 518, 519, 521, 522, 523;
D7/601, 602, 631
CPC B65D 85/00; B65D 81/00; B65D 81/22;
B65D 83/0805; A47K 2010/3266; A47K
10/42; A47K 10/426; G07F 11/00
See application file for complete search history.

- D307,841 S * 5/1990 Hanifl D24/131
D314,107 S * 1/1991 Lewis D6/518
5,186,360 A * 2/1993 Mease A47K 5/1202
222/192
D461,981 S * 8/2002 Ong D6/518
9,289,695 B2 * 3/2016 Sadri A63H 33/08
D782,329 S * 3/2017 Sobel D9/734
D802,327 S * 11/2017 Masterson D6/519
D850,144 S * 6/2019 Joseph D6/518
D858,150 S * 9/2019 Kamondy D6/674
2007/0262085 A1 * 11/2007 Cook B65D 5/001
221/305
2012/0217259 A1 * 8/2012 D'Hiet B65D 81/365
221/45

* cited by examiner

Primary Examiner — Lauren R Calve

(74) *Attorney, Agent, or Firm* — LeonardPatel PC

(57) **CLAIM**

We claim the ornamental design for an elongated tissue dispensing box with a base, as shown and described.

DESCRIPTION

FIG. 1 is a perspective view of an elongated tissue dispensing box with a base in accordance with the present design. FIG. 2 is a perspective front view thereof. FIG. 3 is a perspective back view thereof. FIG. 4 is a perspective side view thereof. FIG. 5 is a top view thereof; and, FIG. 6 is a bottom view thereof.

1 Claim, 6 Drawing Sheets

(56) **References Cited**

U.S. PATENT DOCUMENTS

- D201,462 S * 6/1965 Klein D6/518
D206,354 S * 11/1966 Larkin D6/519

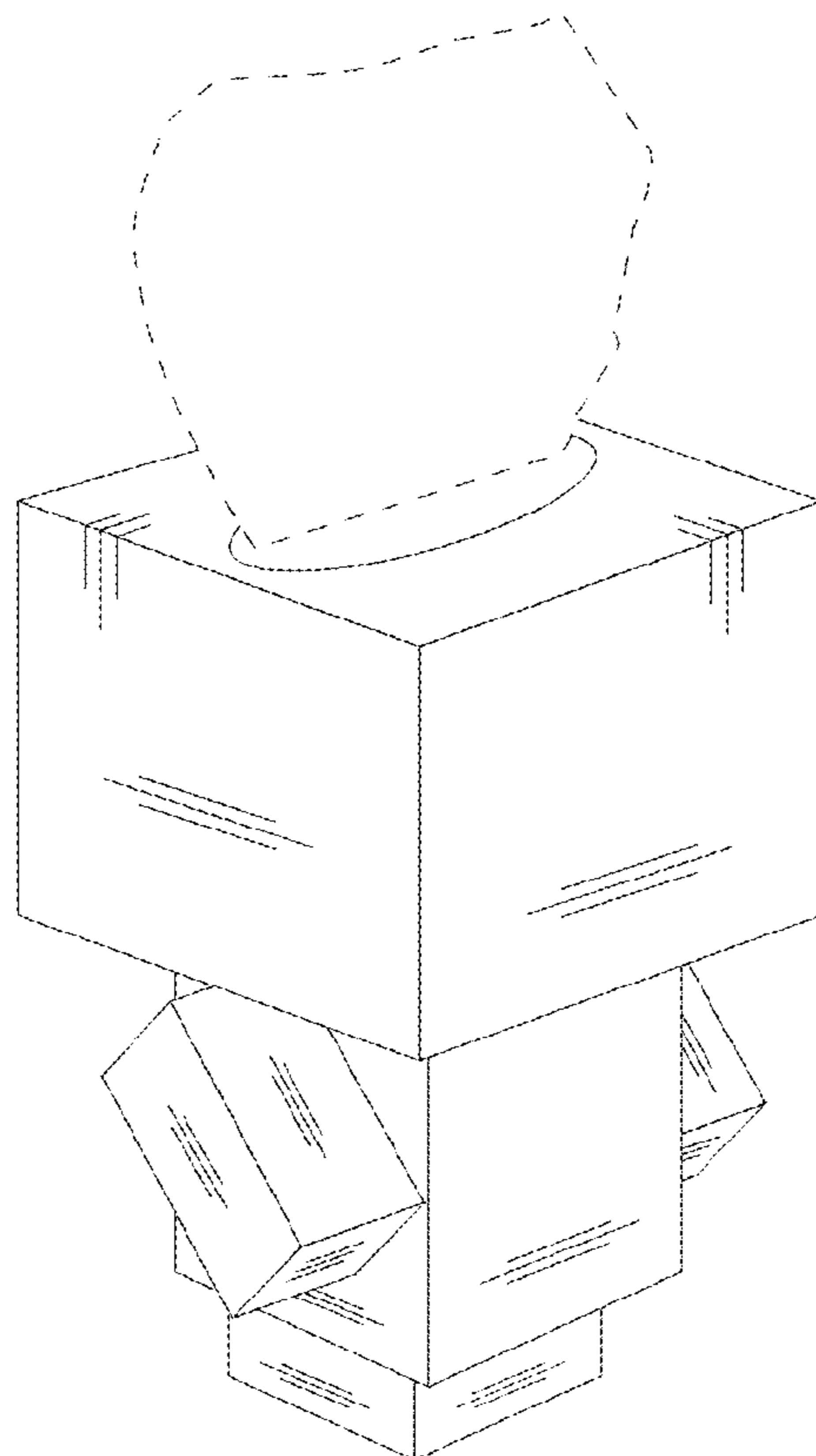


Fig. 1

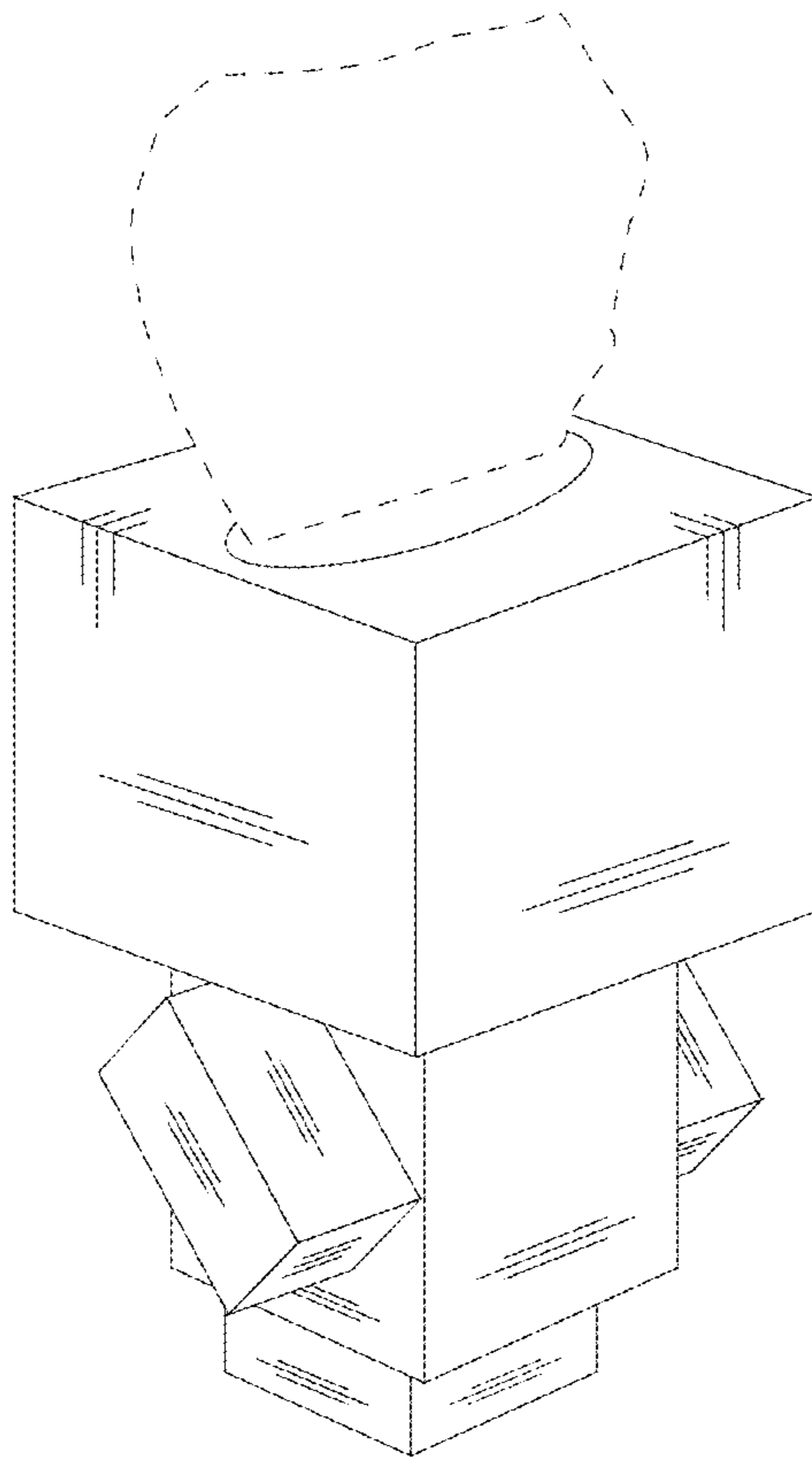


Fig. 2

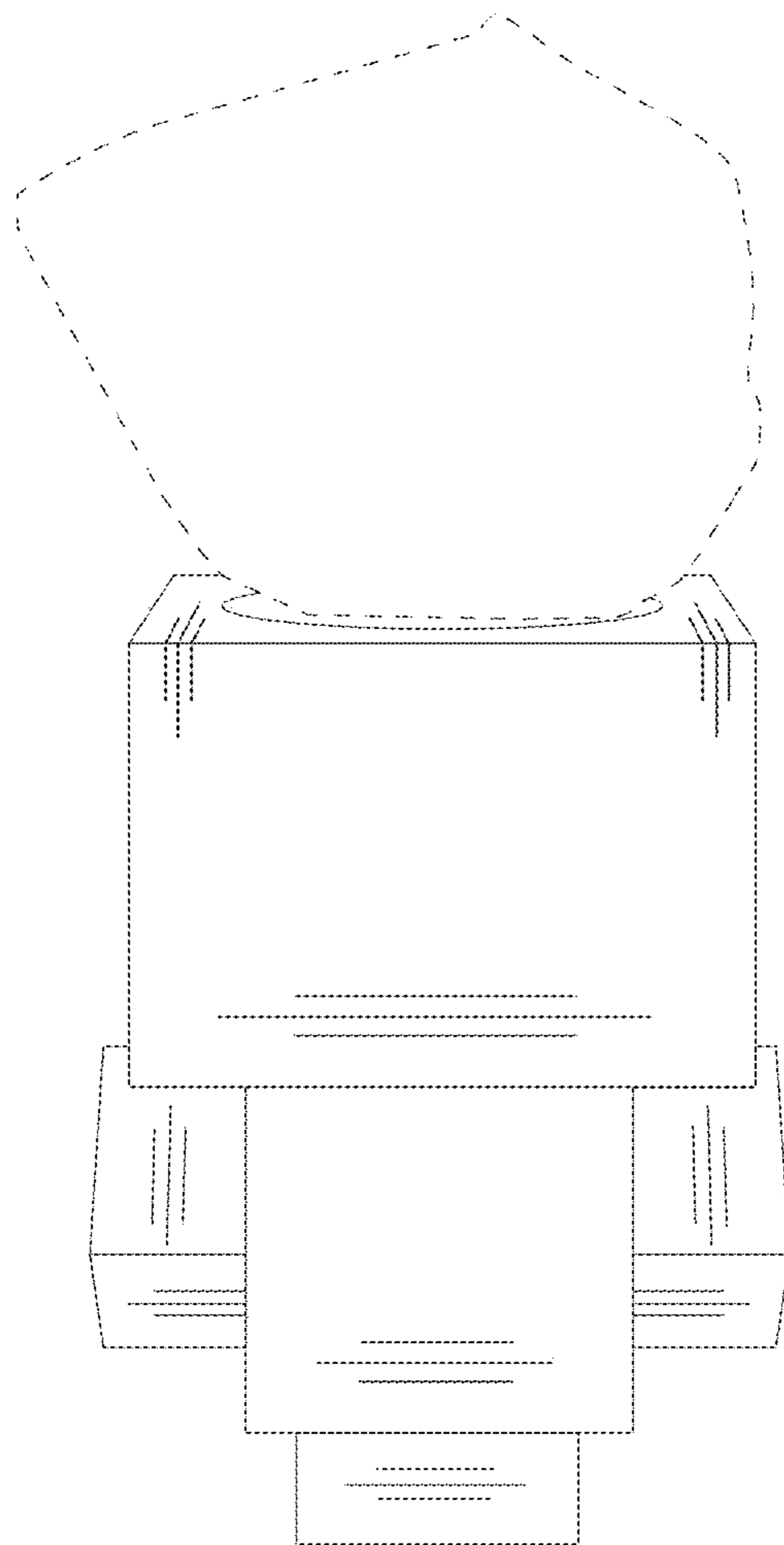


Fig. 3

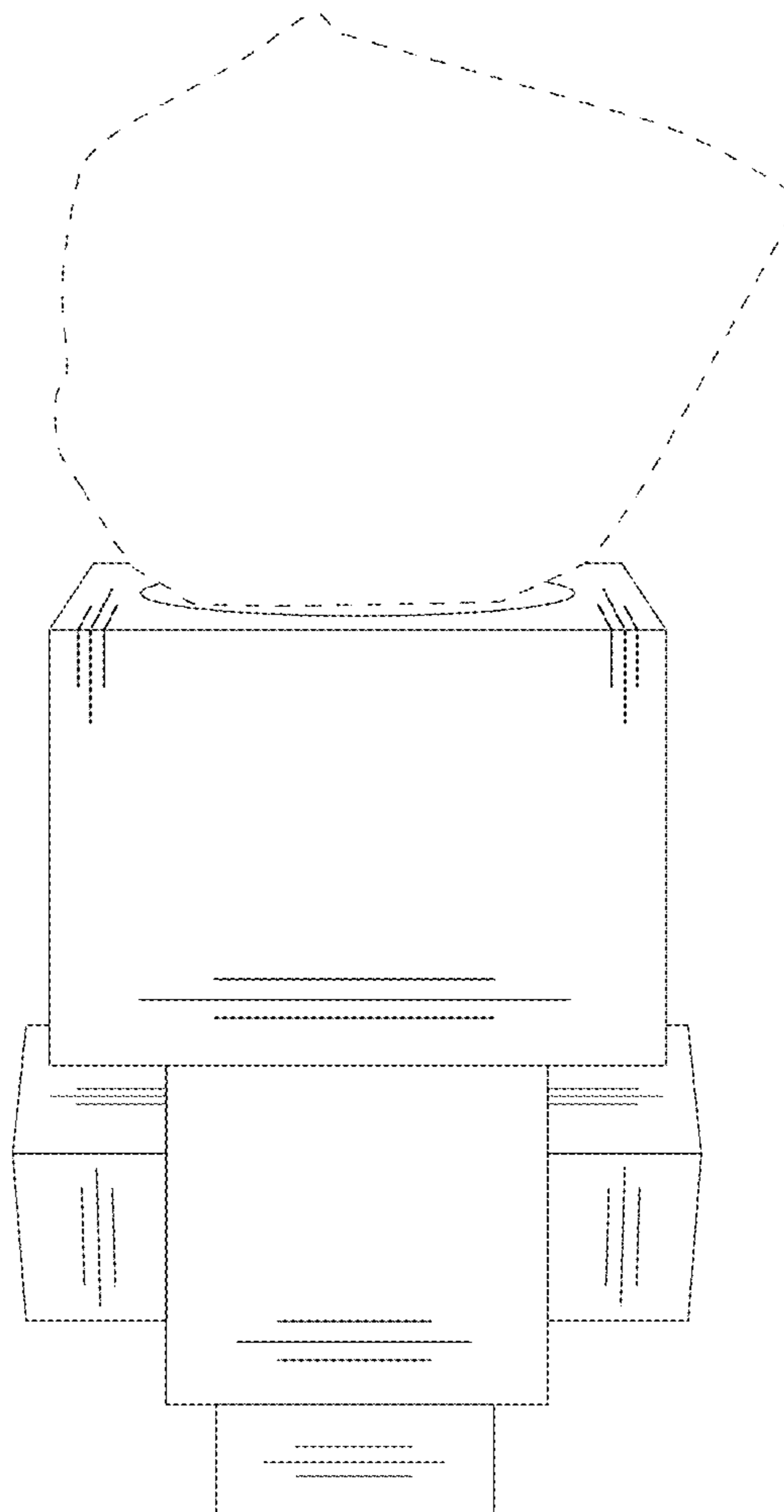


Fig. 4

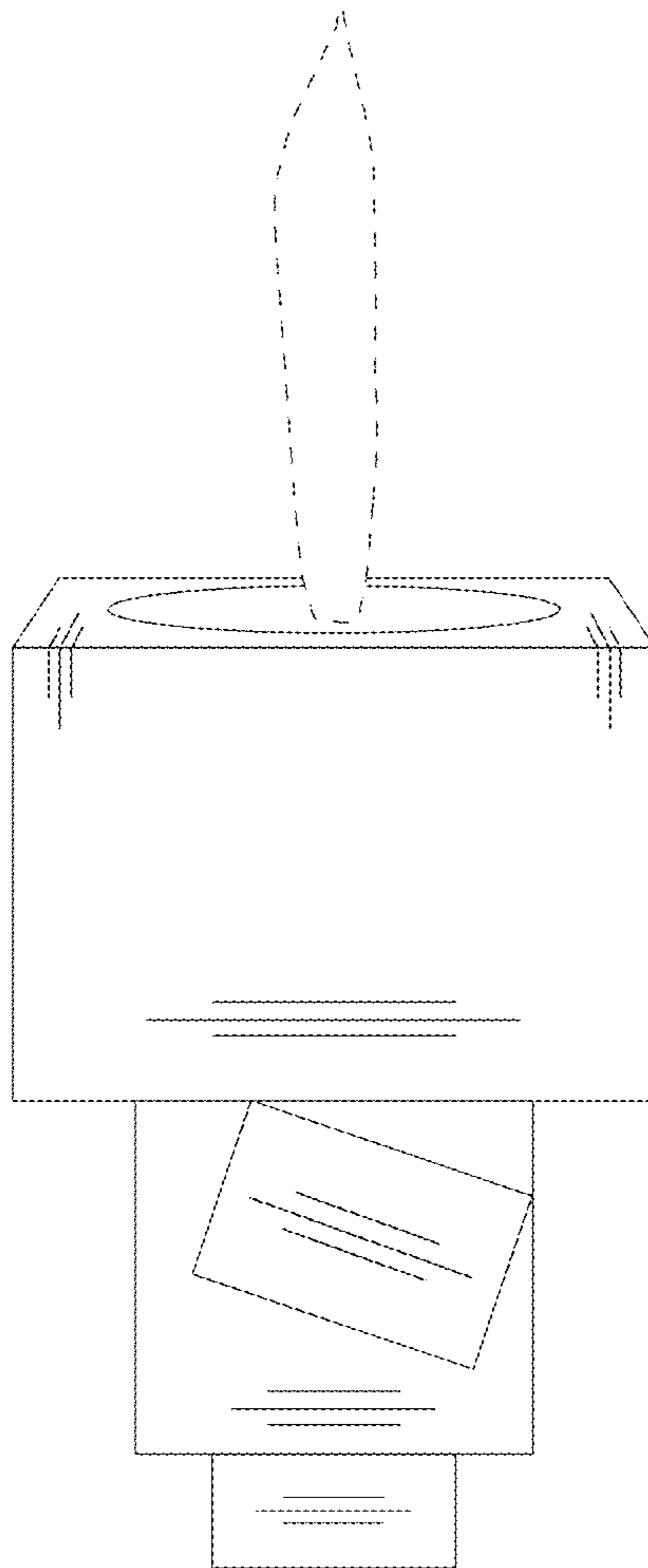


Fig. 5

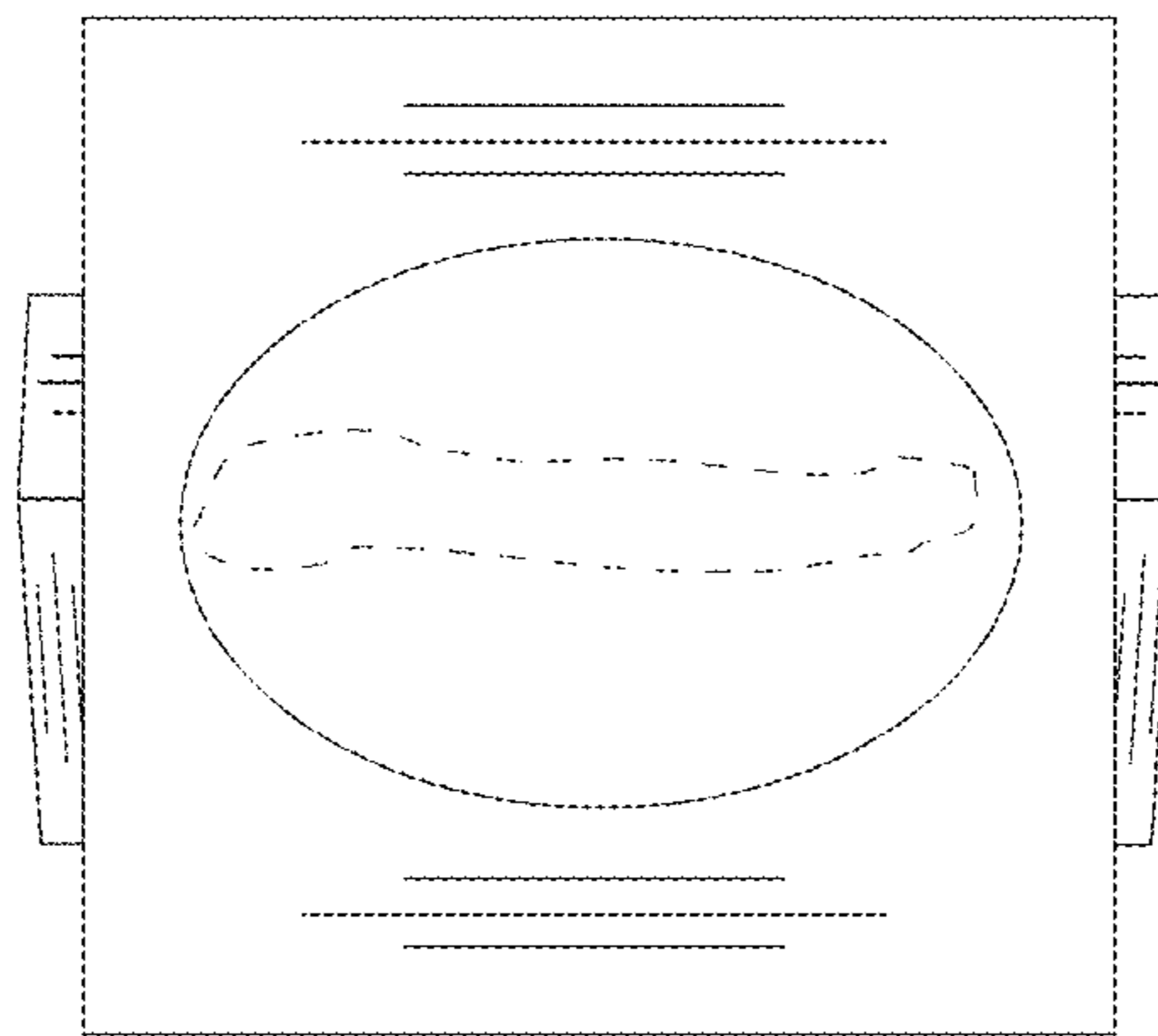


Fig. 6

