



US00D889278S

(12) **United States Design Patent** (10) **Patent No.:** **US D889,278 S**
Tempfli et al. (45) **Date of Patent:** **** Jul. 7, 2020**

(54) **PACKAGING BOTTLE FOR LIQUIDS**

(71) Applicants: **Karl Tempfli**, Gottmadingen (DE);
Volker Heinzle, Krauchenwies (DE);
Magdalena Orasche, Freyung (DE)

(72) Inventors: **Karl Tempfli**, Gottmadingen (DE);
Volker Heinzle, Krauchenwies (DE);
Magdalena Orasche, Freyung (DE)

(73) Assignee: **Aptar Radolfzell GmbH**, Radolfzell (DE)

(**) Term: **15 Years**

(21) Appl. No.: **29/675,084**

(22) Filed: **Dec. 28, 2018**

(51) **LOC (12) Cl.** **09-01**

(52) **U.S. Cl.**
USPC **D9/724**

(58) **Field of Classification Search**
USPC D9/549, 551, 558, 559, 723, 724, 726;
D7/300, 312; D24/197
CPC B05B 11/3059; B05B 11/0027; B05B
11/0032; B05B 11/3004; B05B 11/3015;
B05B 11/306; B05B 11/3064

See application file for complete search history.

(56) **References Cited**

U.S. PATENT DOCUMENTS

- 4,830,224 A * 5/1989 Brison B05B 11/0027
222/153.06
- 6,090,086 A * 7/2000 Bolden A61F 9/0026
604/295
- D515,431 S * 2/2006 Dehaene D9/558
- D544,957 S * 6/2007 Bloc D24/110
- D579,786 S * 11/2008 Py D9/724
- D655,621 S * 3/2012 Py D9/724
- D711,542 S * 8/2014 Pierson D24/176
- D770,287 S * 11/2016 Holaschke D9/453

- 2002/0176734 A1 * 11/2002 Keating A45D 34/042
401/270
- 2008/0118299 A1 * 5/2008 Py B65D 47/18
- 2010/0187260 A1 * 7/2010 Stadelhofer B05B 11/0027
222/207
- 2010/0206908 A1 * 8/2010 Pruvot B05B 11/3059
222/153.13
- 2010/0254749 A1 * 10/2010 Amiconi C11D 17/041
401/196
- 2014/0097207 A1 * 4/2014 Szymiczek B05B 11/0032
222/153.13
- 2014/0263457 A1 * 9/2014 Barber A61M 15/08
222/153.13
- 2015/0088069 A1 * 3/2015 Kim A61M 15/08
604/149

(Continued)

OTHER PUBLICATIONS

U.S. Appl. No. 29/675,085, filed Dec. 28, 2018.

(Continued)

Primary Examiner — Lauren R Calve

(74) *Attorney, Agent, or Firm* — Flynn Thiel, P.C.

(57) **CLAIM**

The ornamental design for a packaging bottle for liquids, as shown and described.

DESCRIPTION

FIG. 1 is a perspective view of a packaging bottle for liquids showing our new design;

FIG. 2 is a front view thereof;

FIG. 3 is a right side view thereof;

FIG. 4 is a rear view thereof;

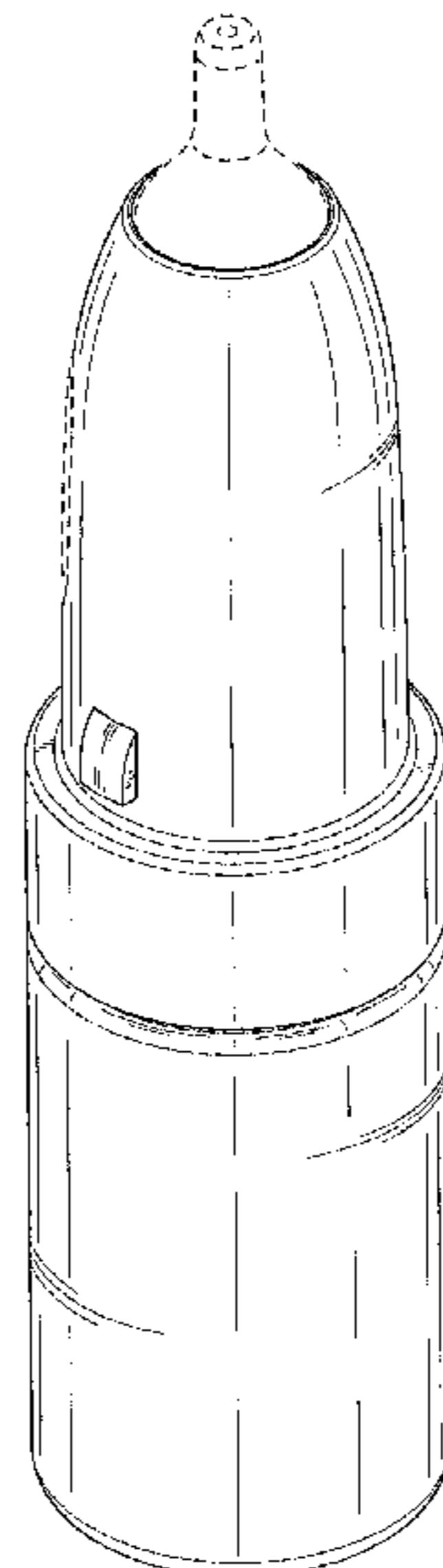
FIG. 5 is a left side view thereof;

FIG. 6 is a top view thereof; and,

FIG. 7 is a bottom view thereof.

The broken lines illustrating portions of the packaging bottle for liquids are for environmental purposes only and form no part of the claimed design.

1 Claim, 6 Drawing Sheets



(56)

References Cited

U.S. PATENT DOCUMENTS

2015/0284177 A1* 10/2015 Patil B05B 11/0027
222/153.04
2015/0335528 A1* 11/2015 Kim A61H 35/04
128/200.17
2019/0029395 A1* 1/2019 Porter A45D 34/04
2019/0111448 A1* 4/2019 Greiner-Perth B05B 11/0027

OTHER PUBLICATIONS

U.S. Appl. No. 29/675,091, filed Dec. 28, 2018.
U.S. Appl. No. 29/675,095, filed Dec. 28, 2018.
U.S. Appl. No. 29/675,097, filed Dec. 28, 2018.
U.S. Appl. No. 29/675,098, filed Dec. 28, 2018.
U.S. Appl. No. 29/675,099, filed Dec. 28, 2018.

* cited by examiner

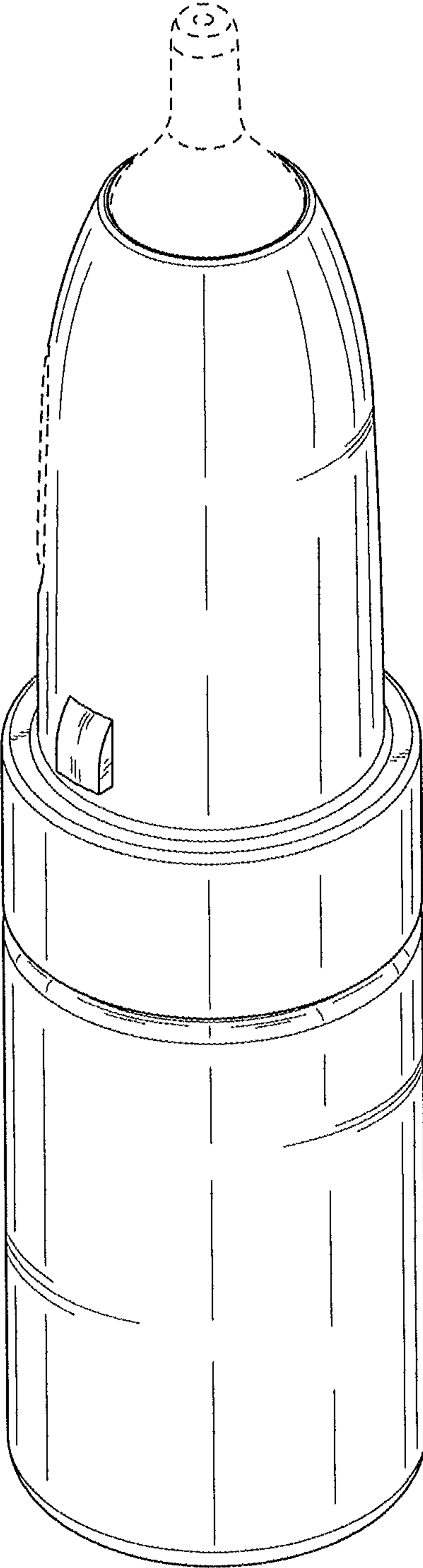


FIG. 1

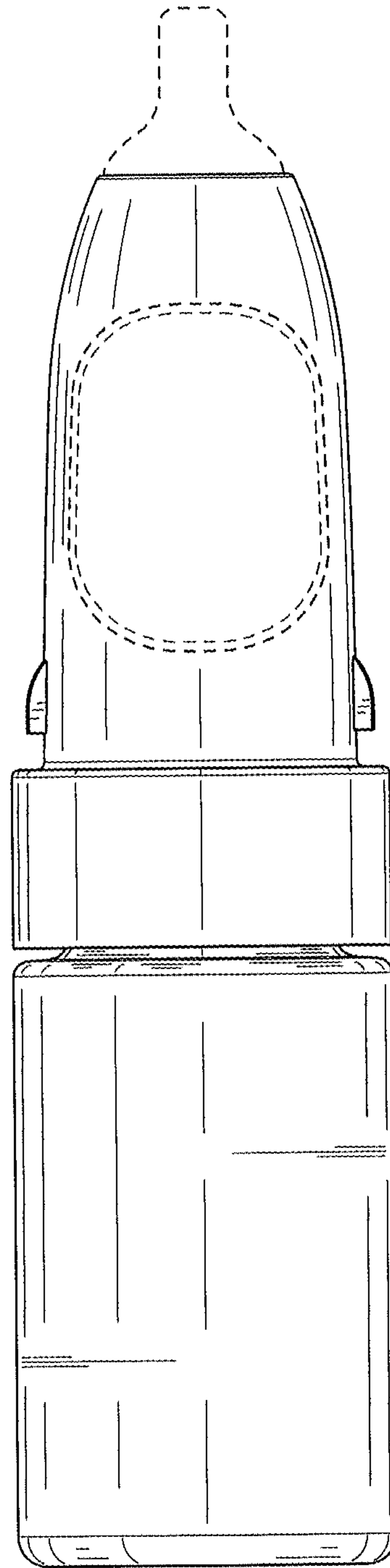


FIG. 2

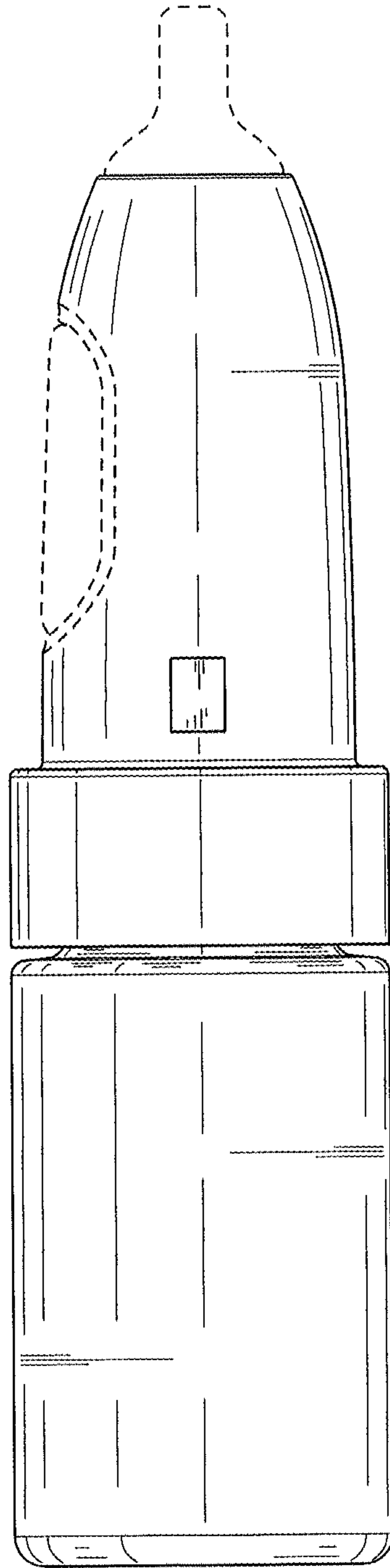


FIG. 3

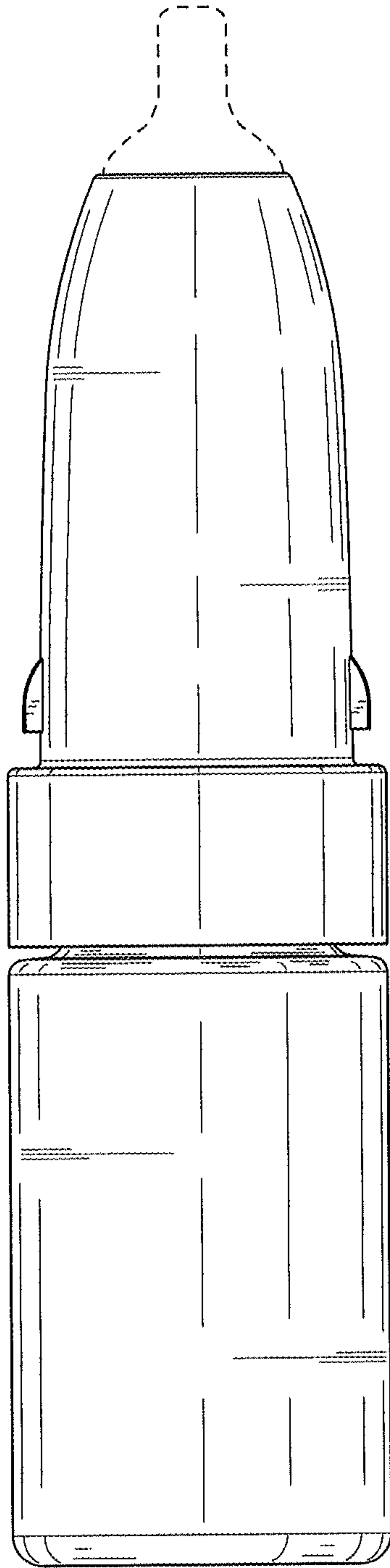


FIG. 4

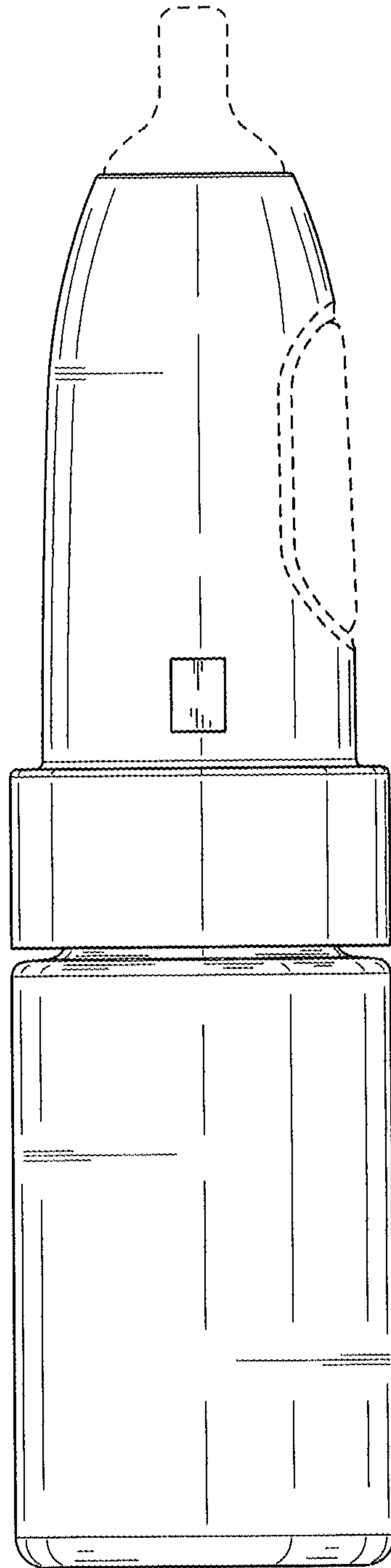


FIG. 5

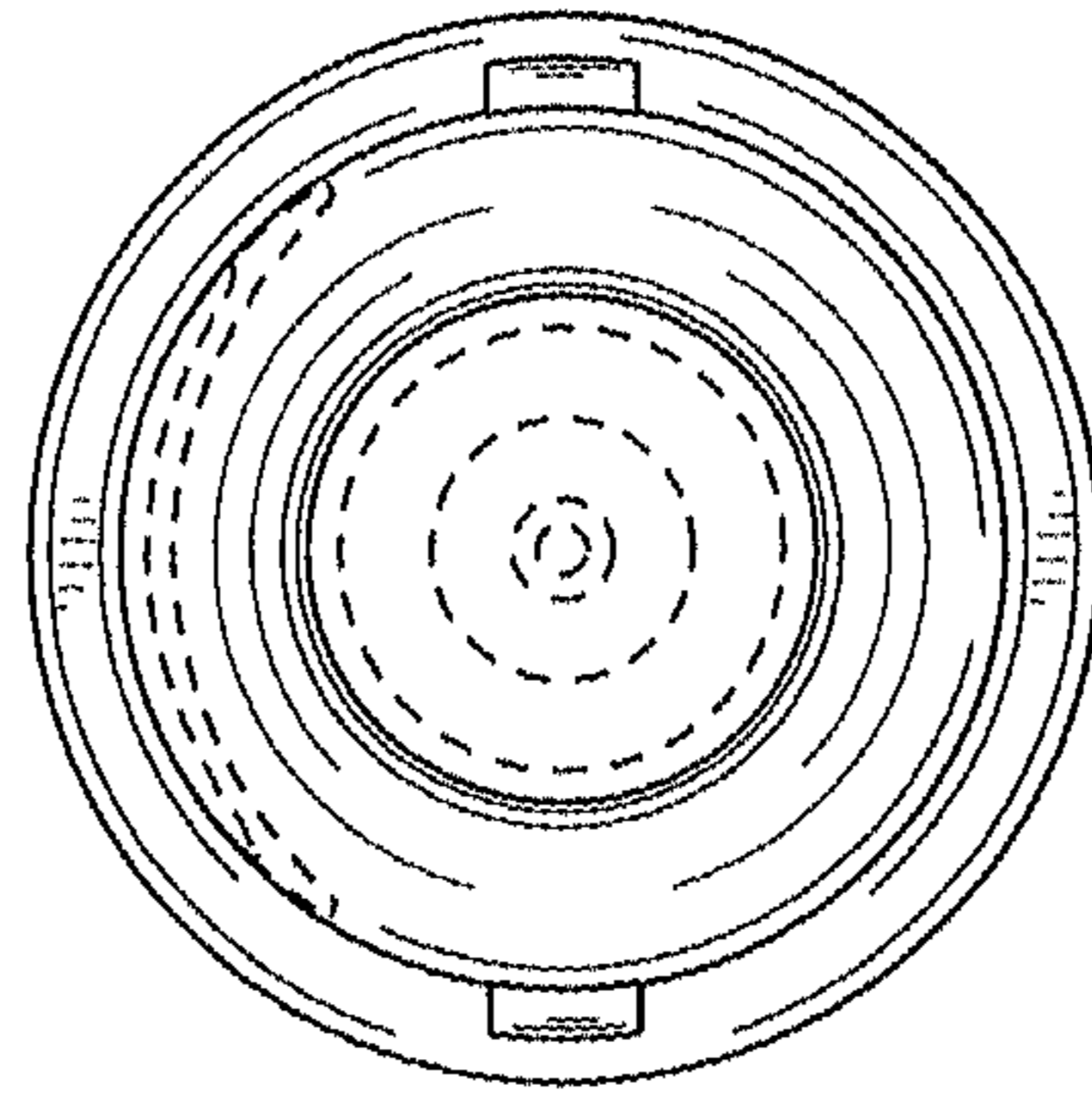


FIG. 6

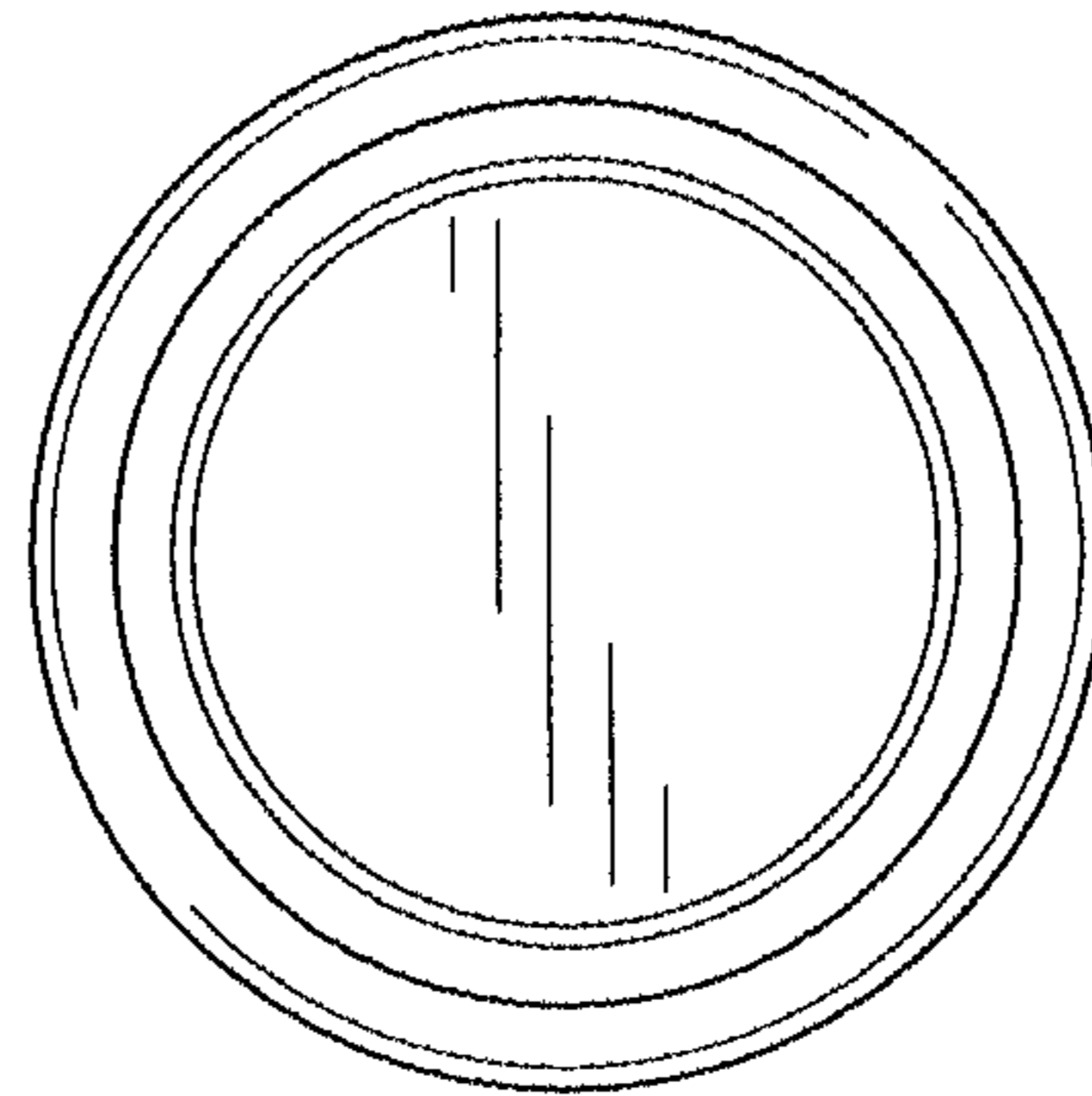


FIG. 7

UNITED STATES PATENT AND TRADEMARK OFFICE
CERTIFICATE OF CORRECTION

PATENT NO. : D889,278 S
APPLICATION NO. : 29/675084
DATED : July 7, 2020
INVENTOR(S) : Karl Tempfli et al.

Page 1 of 1

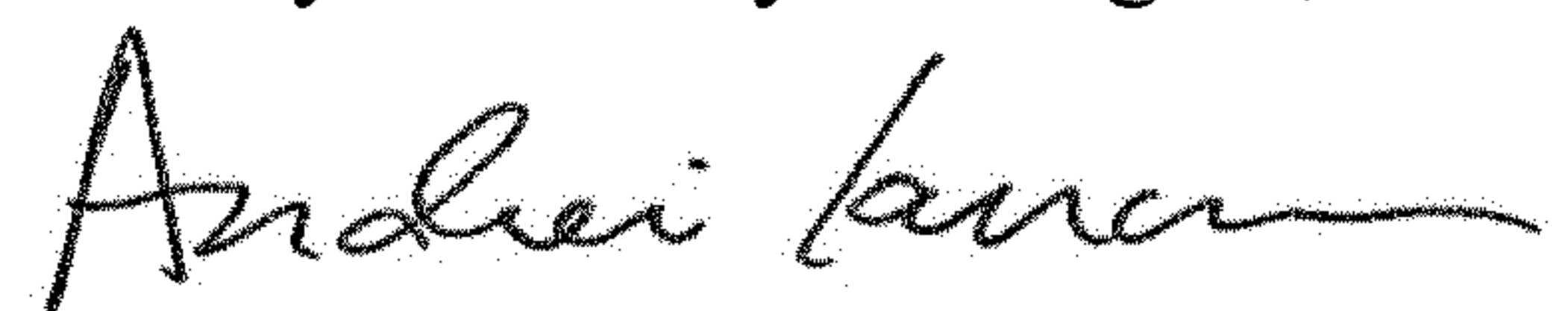
It is certified that error appears in the above-identified patent and that said Letters Patent is hereby corrected as shown below:

On the Title Page

The "Foreign Application Priority Data" is missing. Please insert item (30) to read as follows:

--(30) Foreign Application Priority Data
June 29, 2018 (EM) 005331196--

Signed and Sealed this
Twenty-fifth Day of August, 2020



Andrei Iancu
Director of the United States Patent and Trademark Office