



US00D889277S

(12) **United States Design Patent**  
**Perlman**

(10) **Patent No.:** **US D889,277 S**  
(45) **Date of Patent:** **\*\* Jul. 7, 2020**

(54) **DISPENSER FOR PERSONAL CARE LIQUIDS**

(71) Applicant: **Blue Chip Group, LLC**, Miami, FL (US)  
(72) Inventor: **Zachary T. Perlman**, Miami, FL (US)  
(73) Assignee: **Blue Chip Group, LLC**, Miami, FL (US)

(\*\*) Term: **15 Years**  
(21) Appl. No.: **29/660,805**

(22) Filed: **Aug. 22, 2018**

(51) **LOC (12) Cl.** ..... **09-01**  
(52) **U.S. Cl.**

USPC ..... **D9/689**; D6/542

(58) **Field of Classification Search**  
USPC ..... D6/542-545; D9/682-694, 719, 730, D9/738-741, 747, 751, 501, 504, 516, D9/517, 520, 521, 529  
CPC ..... A47K 5/06-13; A47K 5/14; A47K 5/16; A47K 5/18; B65D 1/0223; B65D 1/06; B65D 1/40; B65D 2501/0081; B65D 83/14; B65D 83/16; B65D 83/20; B65D 83/205; B65D 83/38; B65D 83/384; B65D 83/386; B65D 83/40; B05B 11/00-3098

See application file for complete search history.

(56) **References Cited**

**U.S. PATENT DOCUMENTS**

D46,280 S \* 8/1914 Hansen ..... D9/740  
D197,308 S \* 1/1964 Sterges ..... D9/502  
3,200,817 A \* 8/1965 Brainard ..... A61H 35/02  
128/200.14  
3,342,379 A \* 9/1967 Foley ..... B65D 83/00  
222/173  
3,990,611 A \* 11/1976 Sojka ..... A47K 5/1205  
222/135

D297,086 S \* 8/1988 Paphis ..... D6/544  
5,325,998 A \* 7/1994 Bennett ..... A47K 5/1214  
222/173  
D399,085 S \* 10/1998 Warshawsky ..... D6/545  
D416,418 S \* 11/1999 Kampe ..... D6/545  
D447,659 S \* 9/2001 Middendorp ..... D6/545  
D465,149 S \* 11/2002 Bennett ..... D9/691  
D476,224 S \* 6/2003 de Baschmakoff ..... D9/692  
D540,170 S \* 4/2007 Canamasas Puigbo ..... D9/504  
D602,374 S \* 10/2009 Gilliard, II ..... D9/688  
D618,103 S \* 6/2010 Leventhal ..... D9/517  
D639,591 S \* 6/2011 Wallace ..... D6/545  
D641,192 S \* 7/2011 Wisniewski ..... D6/542  
D650,290 S \* 12/2011 Davis ..... D9/689  
D668,552 S \* 10/2012 Wisniewski ..... D9/689  
D708,524 S \* 7/2014 White ..... D9/504  
D717,665 S \* 11/2014 Dubitsky ..... D9/689  
D735,039 S \* 7/2015 Pires ..... D9/504  
D736,095 S \* 8/2015 Brochado ..... D9/689

(Continued)

*Primary Examiner* — Catherine A Tuttle

(74) *Attorney, Agent, or Firm* — Daniel C. Crilly

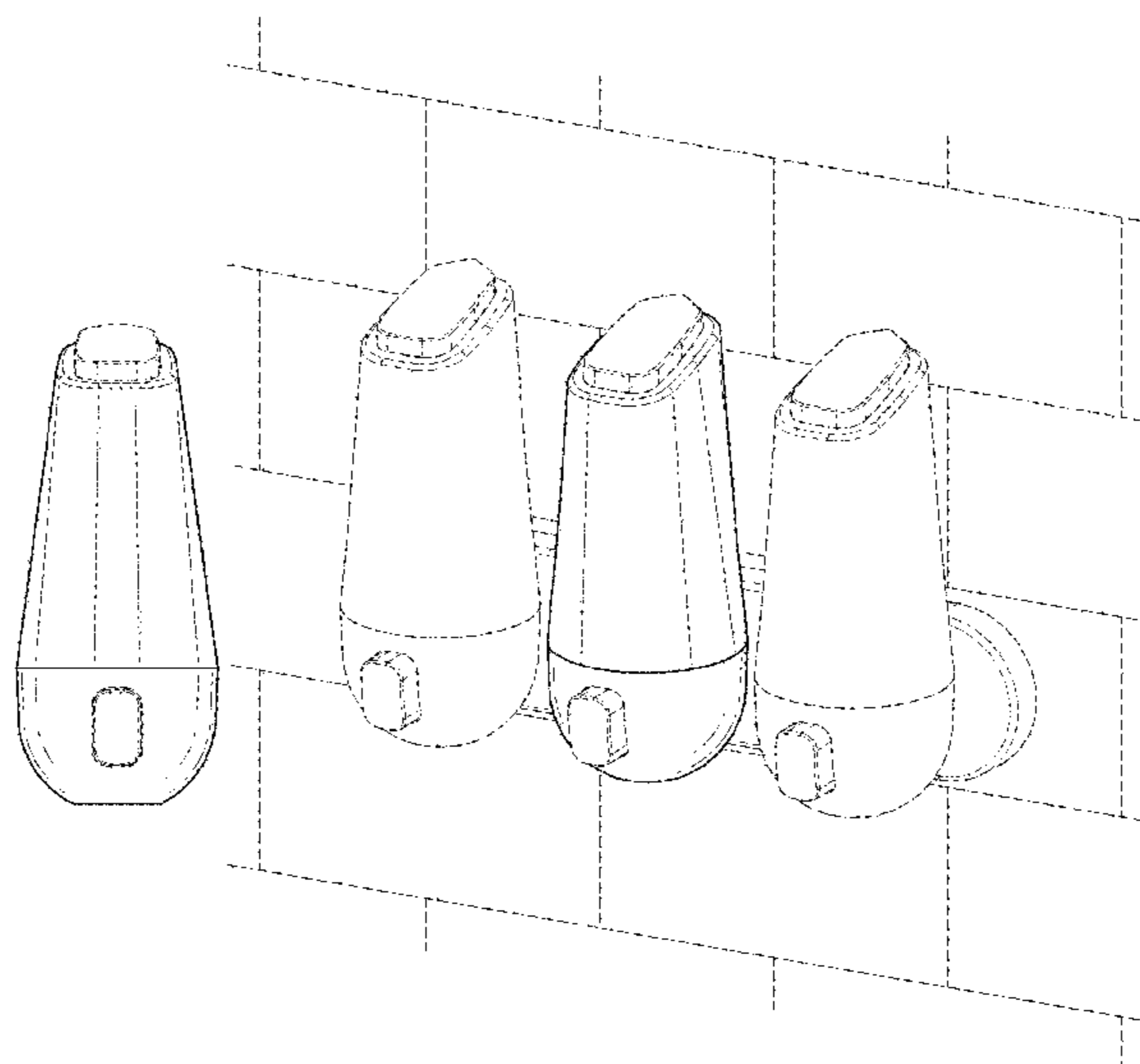
(57) **CLAIM**

The ornamental design for a dispenser for personal care liquids, as shown and described.

**DESCRIPTION**

FIG. 1 is a front perspective view of a dispenser for personal care liquids.  
FIG. 2 is a front elevational view thereof.  
FIG. 3 is a rear elevational view thereof.  
FIG. 4 is a top plan view thereof.  
FIG. 5 is a bottom plan view thereof.  
FIG. 6 is a left side elevational view thereof.  
FIG. 7 is a right side elevational view thereof; and,  
FIG. 8 is a front perspective view of the dispenser of FIG. 1 in a position of use as secured to a tiled wall.  
The structures and features shown in broken lines in FIGS. 1-8 form no part of the claimed design.

**1 Claim, 5 Drawing Sheets**



(56)

**References Cited**

U.S. PATENT DOCUMENTS

D764,832 S \* 8/2016 Douterloigne ..... D6/545  
D815,531 S \* 4/2018 Wahl ..... D9/504  
D846,911 S \* 4/2019 Zhadanov ..... D6/545

\* cited by examiner

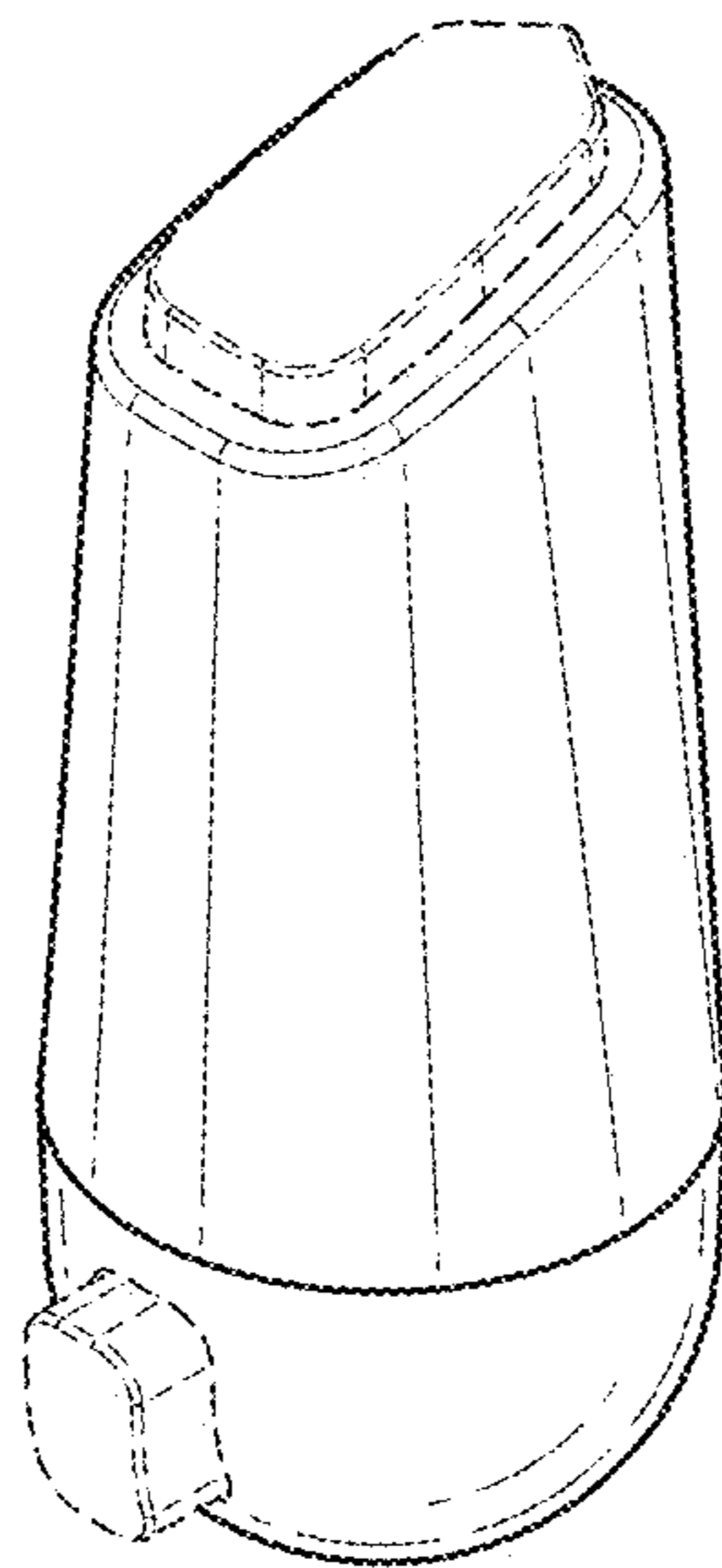


FIG. 1

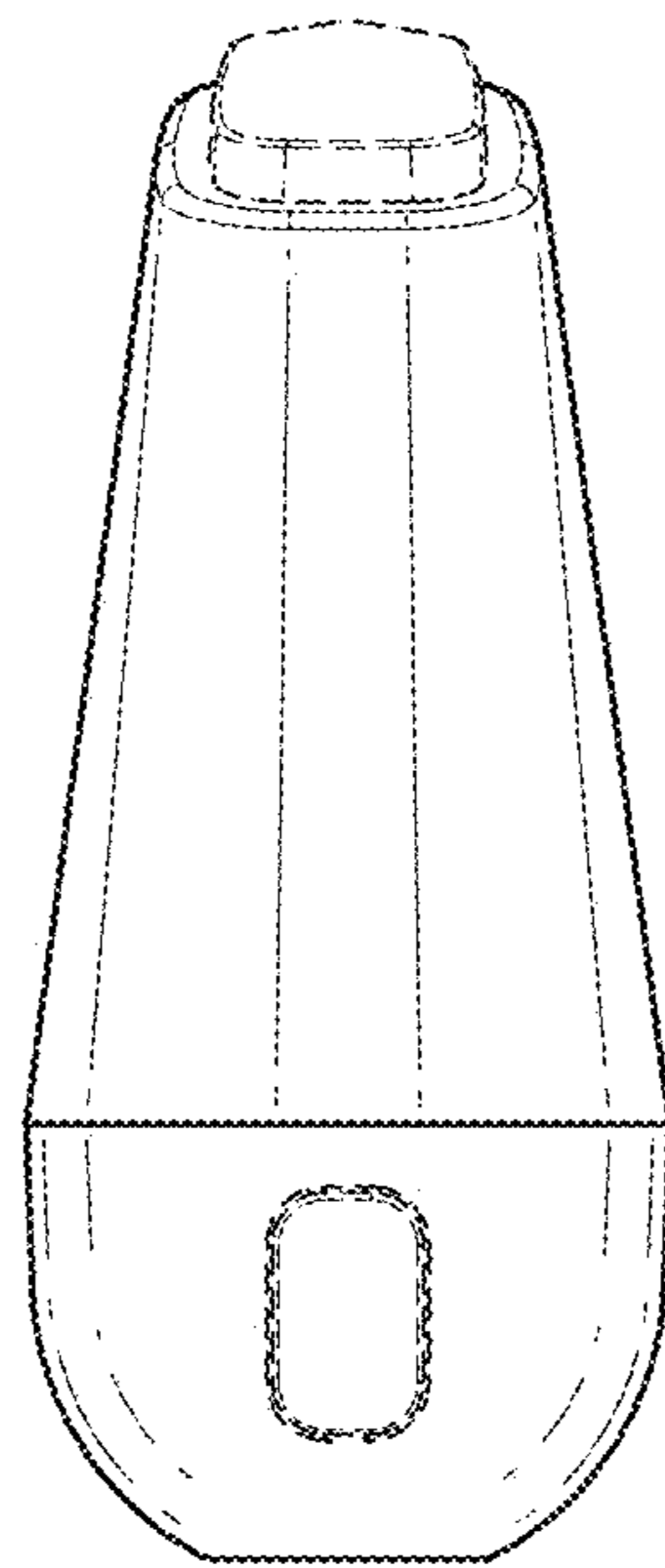


FIG. 2

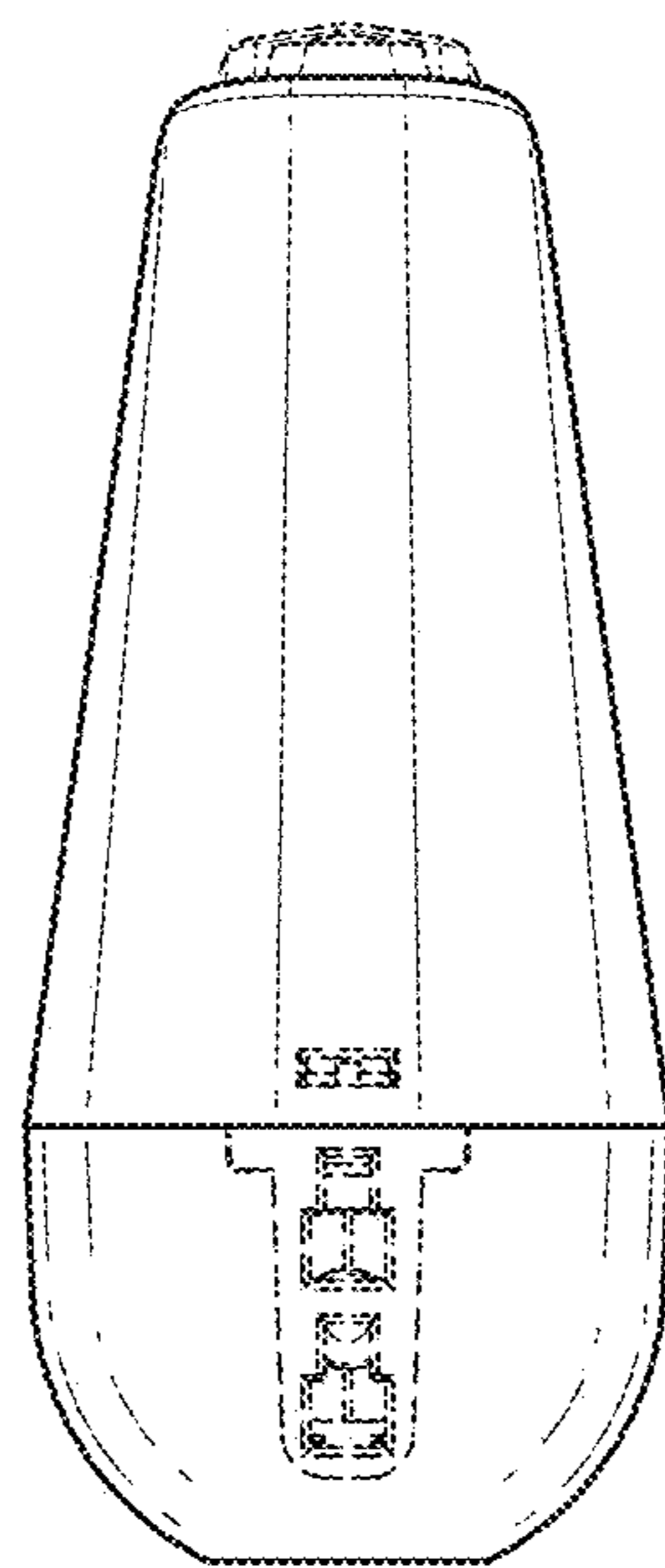


FIG. 3

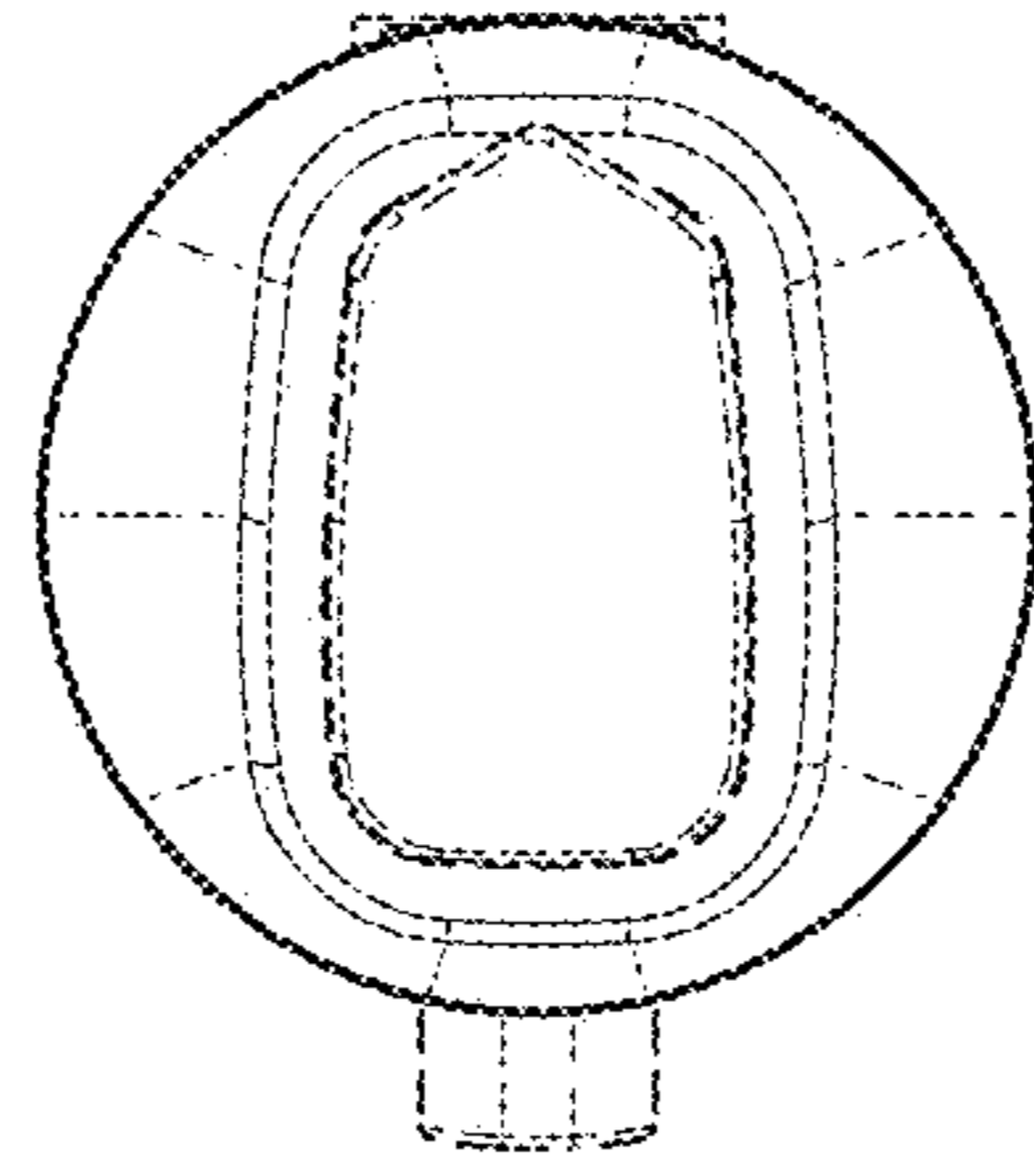


FIG. 4

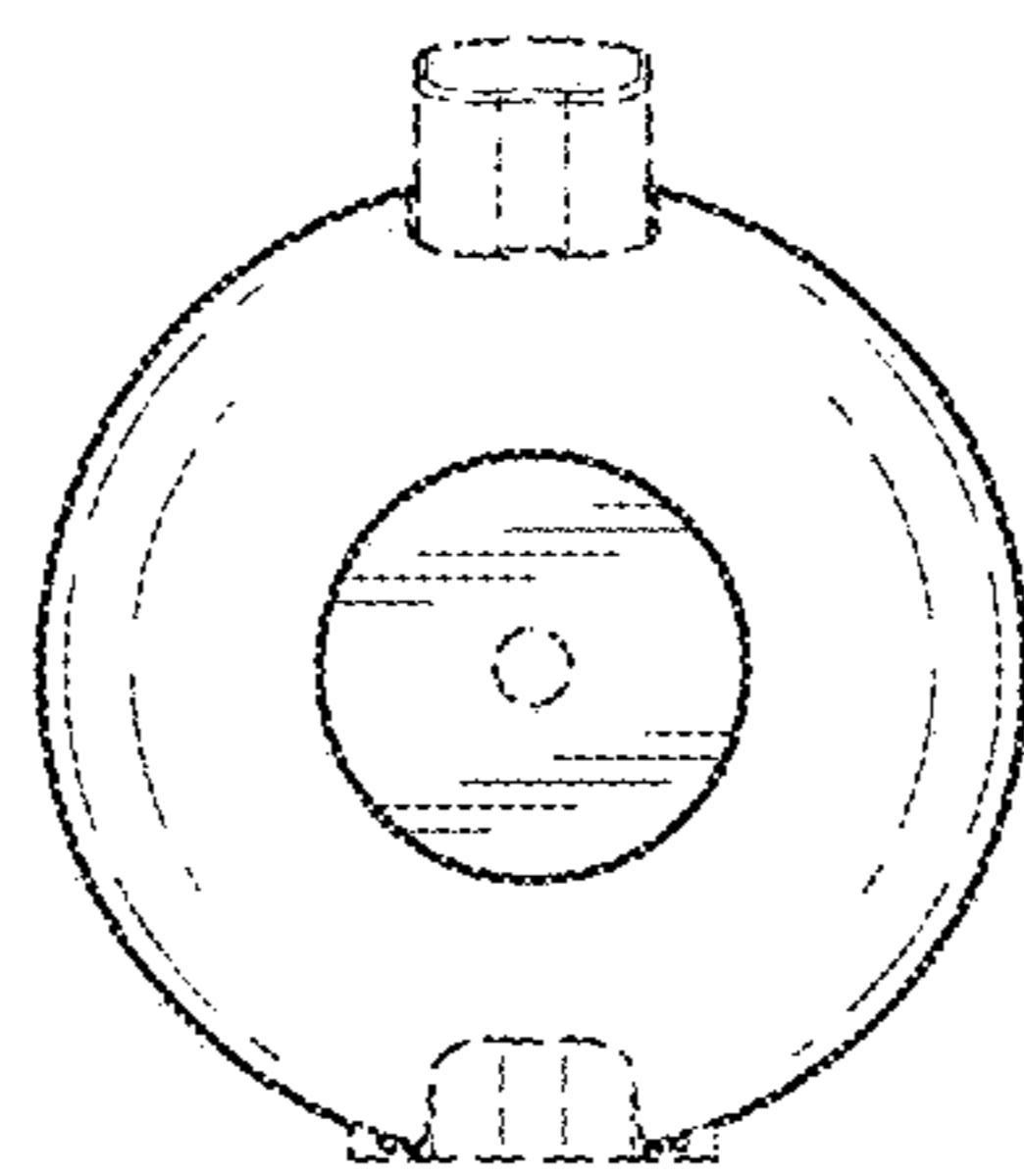


FIG. 5

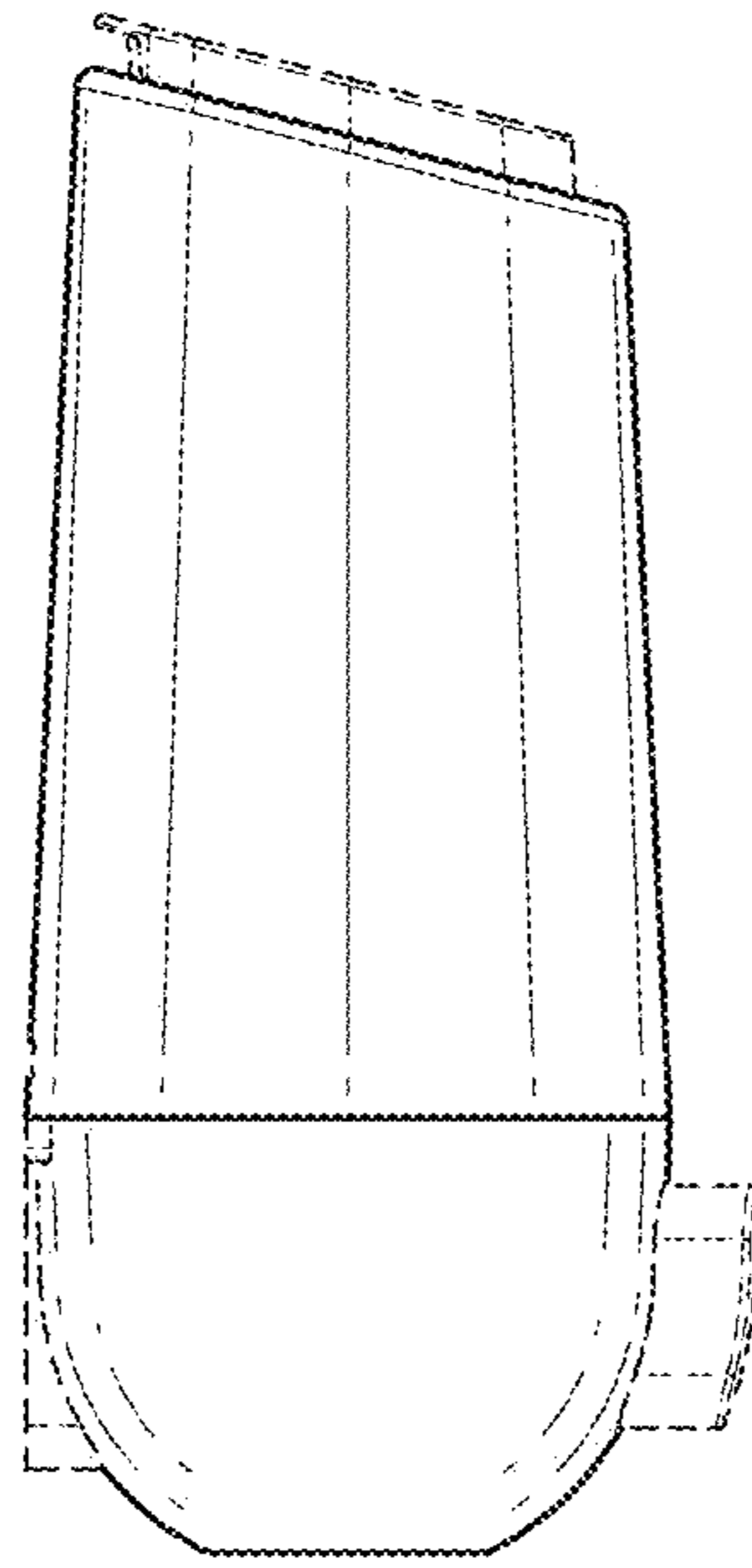


FIG. 6

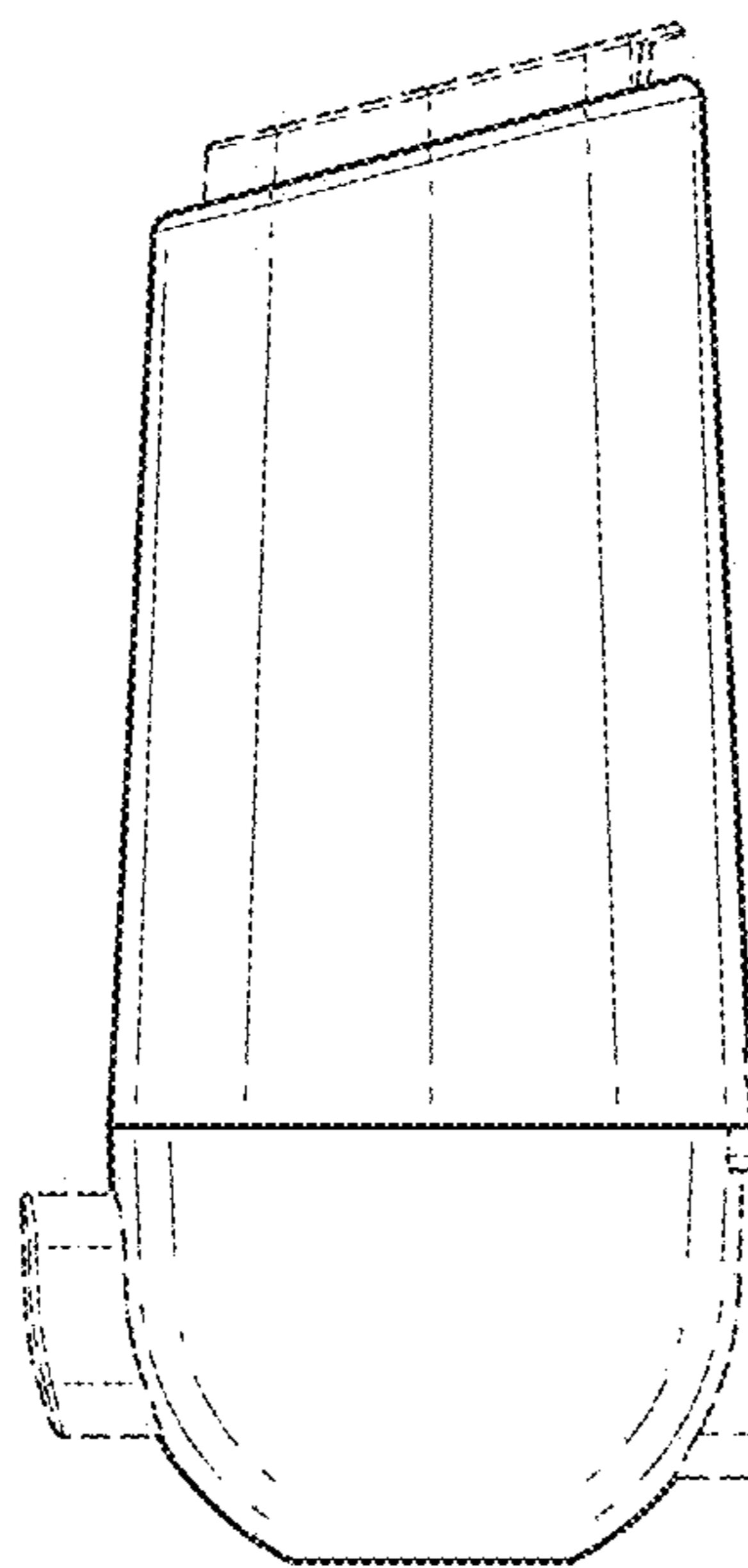


FIG. 7

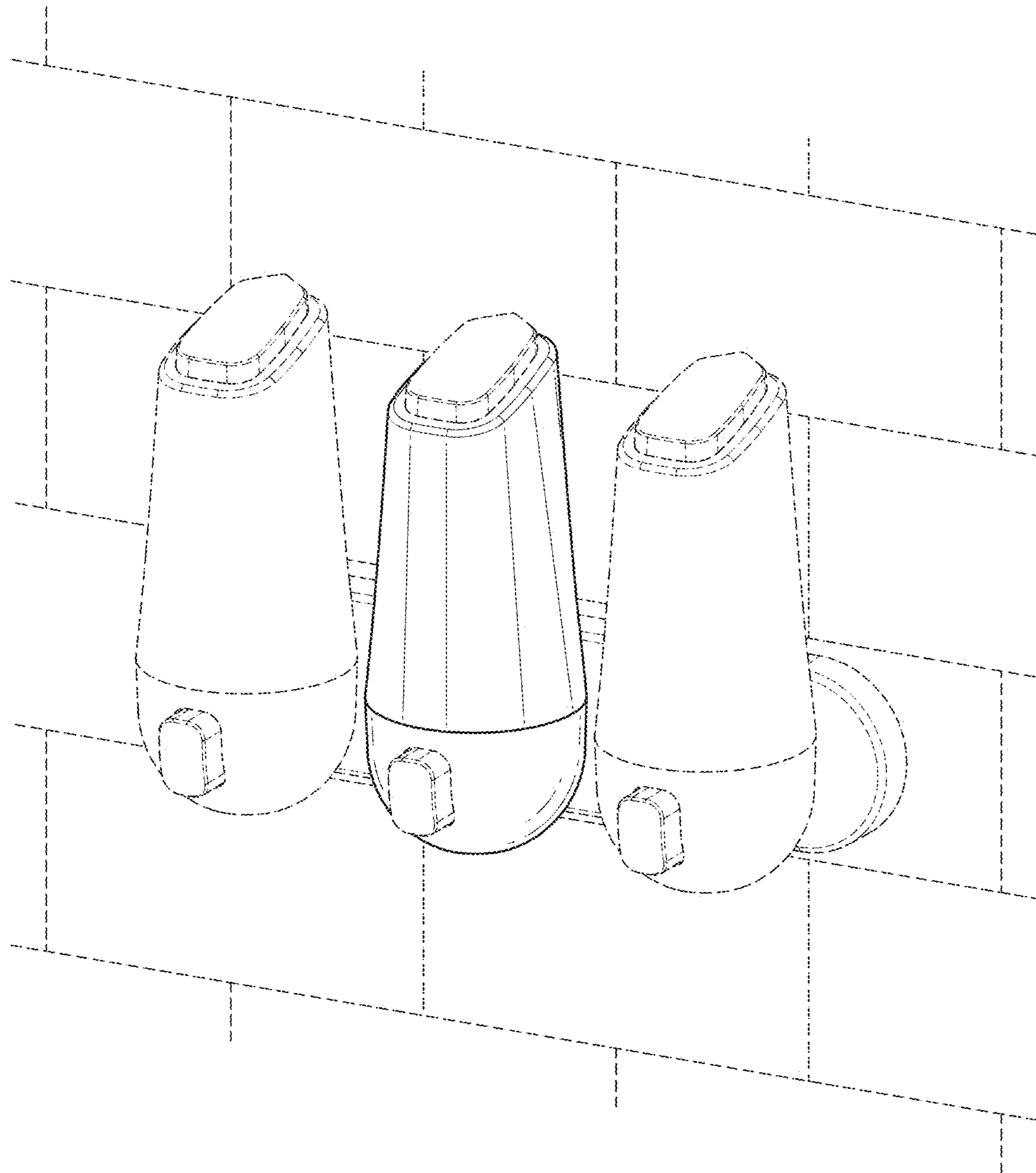


FIG. 8