



US00D889269S

(12) **United States Design Patent**  
**Rudman et al.**

(10) **Patent No.:** **US D889,269 S**

(45) **Date of Patent:** **\*\* Jul. 7, 2020**

- (54) **BOTTLE**
- (71) Applicant: **EMILY HEATH STUDIO LLC**, New York, NY (US)
- (72) Inventors: **Emily H. Rudman**, New York, NY (US); **Samuel Dominic O'Donahue**, New York, NY (US)
- (73) Assignee: **EMILY HEATH STUDIO LLC**, New York, NY (US)
- (\*\*) Term: **15 Years**
- (21) Appl. No.: **29/616,703**

D214,019 S *	5/1969	Newman	.....	D9/521
4,140,254 A *	2/1979	Land	.....	A45F 3/18
				220/754
D255,548 S *	6/1980	Grodin	.....	D9/439
D259,095 S *	5/1981	Benedict	.....	D9/450
D284,352 S *	6/1986	Thompson	.....	D9/520
D285,052 S *	8/1986	Bianchi	.....	D9/521
D332,913 S *	2/1993	Carroll	.....	D9/448
D345,500 S *	3/1994	Wacker	.....	D9/686
D355,727 S *	2/1995	Bertolini	.....	D28/76
D394,012 S *	5/1998	Bakic	.....	D9/545
D407,320 S *	3/1999	Costen	.....	D9/544
D422,899 S *	4/2000	Kudo	.....	D9/521
D423,938 S *	5/2000	Kudo	.....	D9/529
D428,578 S *	7/2000	Waitzenegger	.....	D9/544
D428,579 S *	7/2000	Waitzenegger	.....	D9/544

(Continued)

- (22) Filed: **Sep. 7, 2017**
- (51) **LOC (12) Cl.** ..... **09-01**
- (52) **U.S. Cl.**  
USPC ..... **D9/544**; D9/562; D9/564
- (58) **Field of Classification Search**  
USPC ..... D7/300-322, 391-396.2, 509-511, 523, D7/589, 598, 612, 615, 619.1; D9/447, D9/454, 500, 503-505, 516-575, D9/763-783, 435-443; 215/40-55, 215/316-354, 370-385; 220/574-575; D4/116; D6/515-519, 542-545; D28/7, D28/57, 73, 76-91.1  
CPC ..... B65D 1/00; B65D 1/02; B65D 1/0223; B65D 1/023; B65D 1/0276  
See application file for complete search history.

(56) **References Cited**

**U.S. PATENT DOCUMENTS**

D71,162 S *	9/1926	Smith	.....	D9/544
1,887,298 A *	11/1932	Friedman	.....	A45D 34/02
				215/12.1
D99,764 S *	5/1936	Trompeter	.....	D9/500
D110,586 S *	7/1938	Lewis	.....	D9/558
D118,381 S *	1/1940	McIntosh	.....	D9/562
D213,762 S *	4/1969	Weckham	.....	D9/672

**OTHER PUBLICATIONS**

U.S. Appl. No. 29/616,863, filed Sep. 8, 2017, Rudman et al.  
(Continued)

*Primary Examiner* — Cathron C Brooks  
*Assistant Examiner* — Christian P. McLean  
(74) *Attorney, Agent, or Firm* — Wolf, Greenfield & Sacks, P.C.

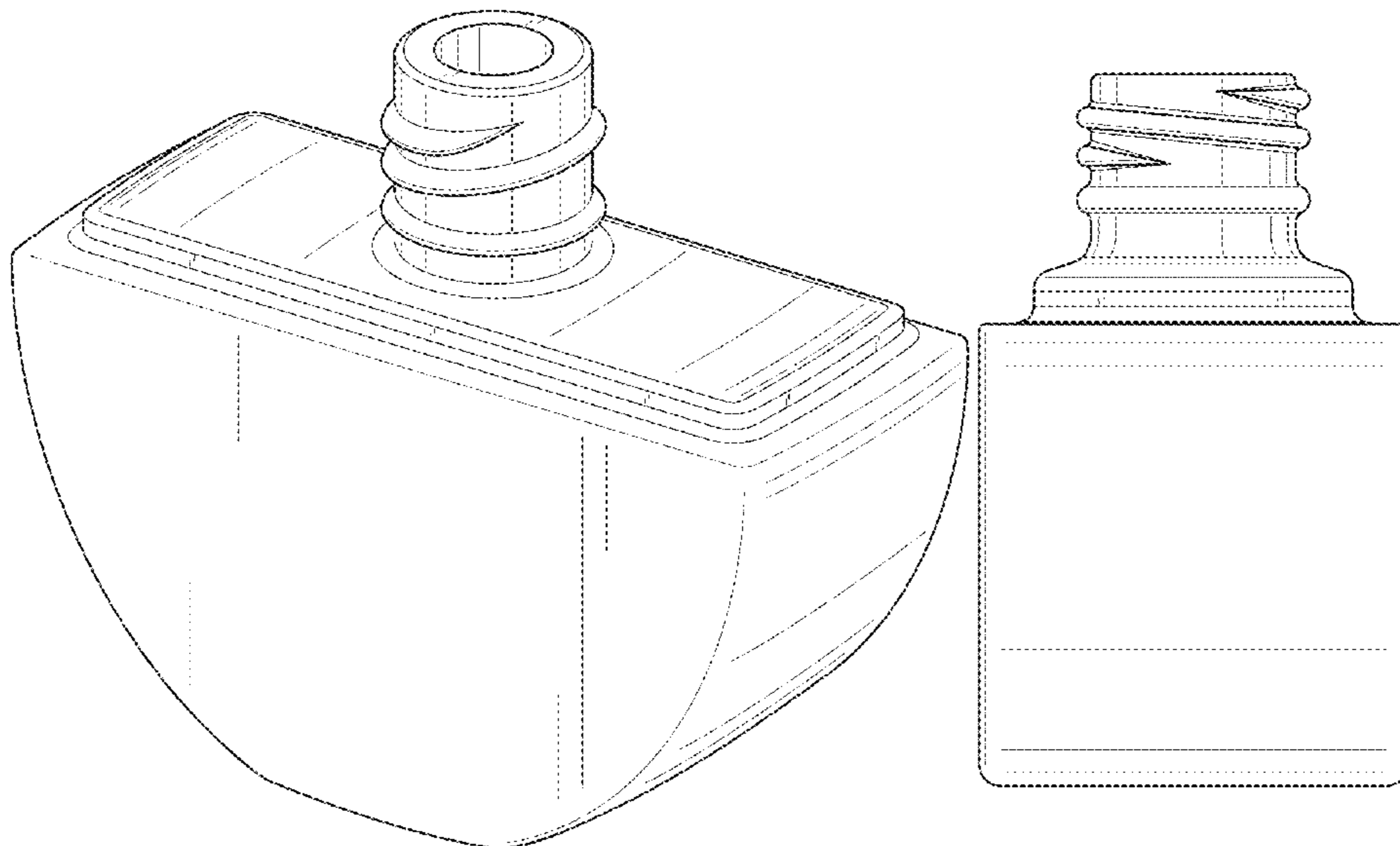
(57) **CLAIM**

The ornamental design for a bottle, as shown and described.

**DESCRIPTION**

FIG. 1 is a top, front, right side perspective view of a bottle showing our new design;  
FIG. 2 is a front elevation view thereof;  
FIG. 3 is a rear elevation view thereof;  
FIG. 4 is a right side elevation view thereof;  
FIG. 5 is a left side elevation view thereof;  
FIG. 6 is a top plan view thereof; and,  
FIG. 7 is a bottom plan view thereof.

**1 Claim, 7 Drawing Sheets**



(56)

References Cited

U.S. PATENT DOCUMENTS

D439,319 S \* 3/2001 Wolpert ..... D23/363  
 D443,979 S \* 6/2001 Rijlaarsdam ..... D3/201  
 D449,978 S \* 11/2001 Viellard ..... D9/521  
 D459,233 S \* 6/2002 Young ..... D9/535  
 D460,692 S \* 7/2002 Cumberbatch ..... D9/504  
 D467,808 S \* 12/2002 Hagemann ..... D9/520  
 D471,086 S \* 3/2003 Helleu ..... D9/694  
 D480,316 S \* 10/2003 Wolpert ..... D9/516  
 D505,865 S 6/2005 Seizer et al.  
 D510,461 S 10/2005 Vu  
 D547,189 S \* 7/2007 Legros ..... D9/521  
 D550,095 S \* 9/2007 De Oliveira Neto ..... D9/519  
 D551,893 S \* 10/2007 Huang ..... D6/634  
 D560,495 S \* 1/2008 Mettler ..... D28/91  
 D574,709 S \* 8/2008 Crotts ..... D28/91  
 D579,340 S \* 10/2008 Dickman ..... D9/558  
 D581,288 S \* 11/2008 Villalobos ..... D9/548  
 D583,505 S \* 12/2008 Jackel ..... D28/82  
 D590,269 S \* 4/2009 Pavone ..... D28/7  
 D601,024 S \* 9/2009 Rica ..... D9/516  
 D622,154 S \* 8/2010 Vishab ..... D9/454  
 D630,101 S \* 1/2011 Lloyd ..... D9/552  
 D631,204 S \* 1/2011 Dubitsky ..... D28/82  
 D637,710 S \* 5/2011 Huh ..... D24/110  
 D638,649 S \* 5/2011 Servaire ..... D7/300  
 D642,927 S \* 8/2011 Foster ..... D9/558  
 D649,478 S \* 11/2011 Kim ..... D9/558  
 D656,407 S \* 3/2012 Baussan ..... D9/573  
 D657,680 S \* 4/2012 Cora ..... D9/521  
 D659,003 S \* 5/2012 Knox ..... D9/444  
 D678,780 S \* 3/2013 Macleod Jones ..... D9/563  
 D697,811 S \* 1/2014 Goodman ..... D9/545  
 D708,065 S 7/2014 Pourian  
 D708,070 S \* 7/2014 Lesinigo ..... D9/548

D747,969 S 1/2016 Baron et al.  
 D756,216 S \* 5/2016 El-Debs ..... D9/420  
 D756,228 S 5/2016 Premkumar  
 D779,336 S \* 2/2017 Wanders ..... D9/682  
 D804,316 S \* 12/2017 Hainaut ..... D9/544  
 D828,758 S \* 9/2018 Vasquez ..... D9/630  
 D833,078 S \* 11/2018 Teller ..... D28/88  
 D837,507 S \* 1/2019 Shelton ..... D3/208  
 D846,195 S 4/2019 Kang  
 10,321,746 B2 \* 6/2019 Kaplan ..... A45D 40/221  
 D857,509 S 8/2019 Staab et al.  
 D864,488 S \* 10/2019 Kaplan ..... D28/85  
 10,479,542 B2 \* 11/2019 Evans ..... B65D 1/0261  
 2010/0282779 A1 \* 11/2010 Ramsey ..... A45C 11/24  
 222/182  
 2012/0187069 A1 \* 7/2012 Harris ..... B29C 49/06  
 215/44  
 2019/0075911 A1 \* 3/2019 Rudman ..... A45D 40/24

OTHER PUBLICATIONS

[No Author Listed] Product Listing for Kenneth Cole New York by Kenneth Cole for Woman Eau de Parfum Spray 1.7 oz Unboxed. Fragrance Shop. [\\* cited by examiner](http://www.fragranceshop.com/kenneth-cole-new-york-by-kenneth-cole-for-women-eau-de-parfum-spray-1.7-oz-unboxed.html?utm_source=GoogleBase&utm_medium=CPC&utm_campaign=GoogleBase&gclid=EAIaIQobChMIjuTWjYCa2wIVBLbIChlyMwvwEAKYCyABEgI_e_D_BwE, 2 pages.</a><br/>
    [No Author Listed] Product Listing for Kenneth Cole New York Eau De Parfum Mini for Women 0.17 Ounces—5 ml. Ebay.com. Last printed Apr. 26, 2019, 5 pages.<br/>
    U.S. Appl. No. 16/125,647, filed Sep. 7, 2018, Rudman.</p>
</div>
<div data-bbox=)

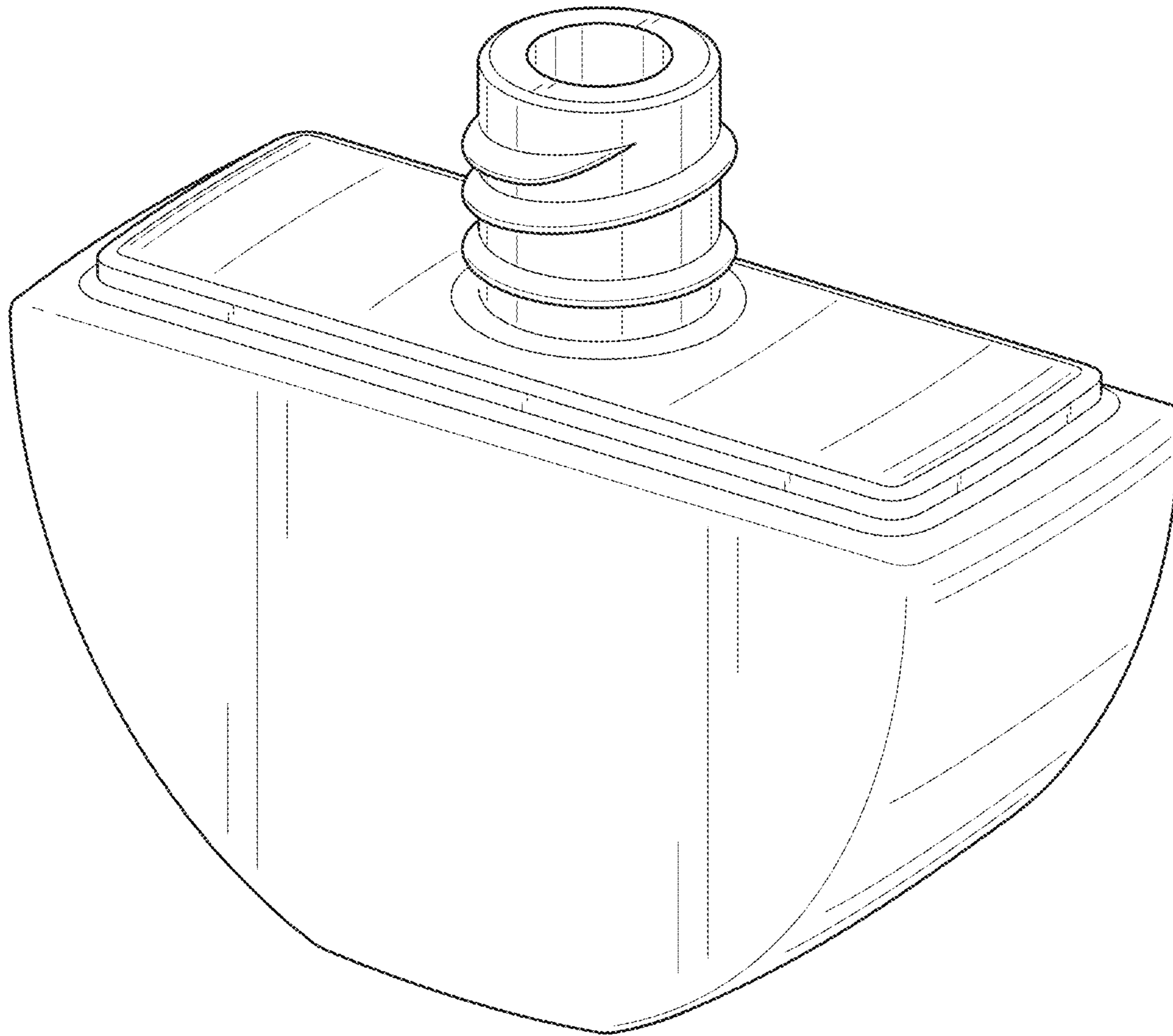


FIG. 1



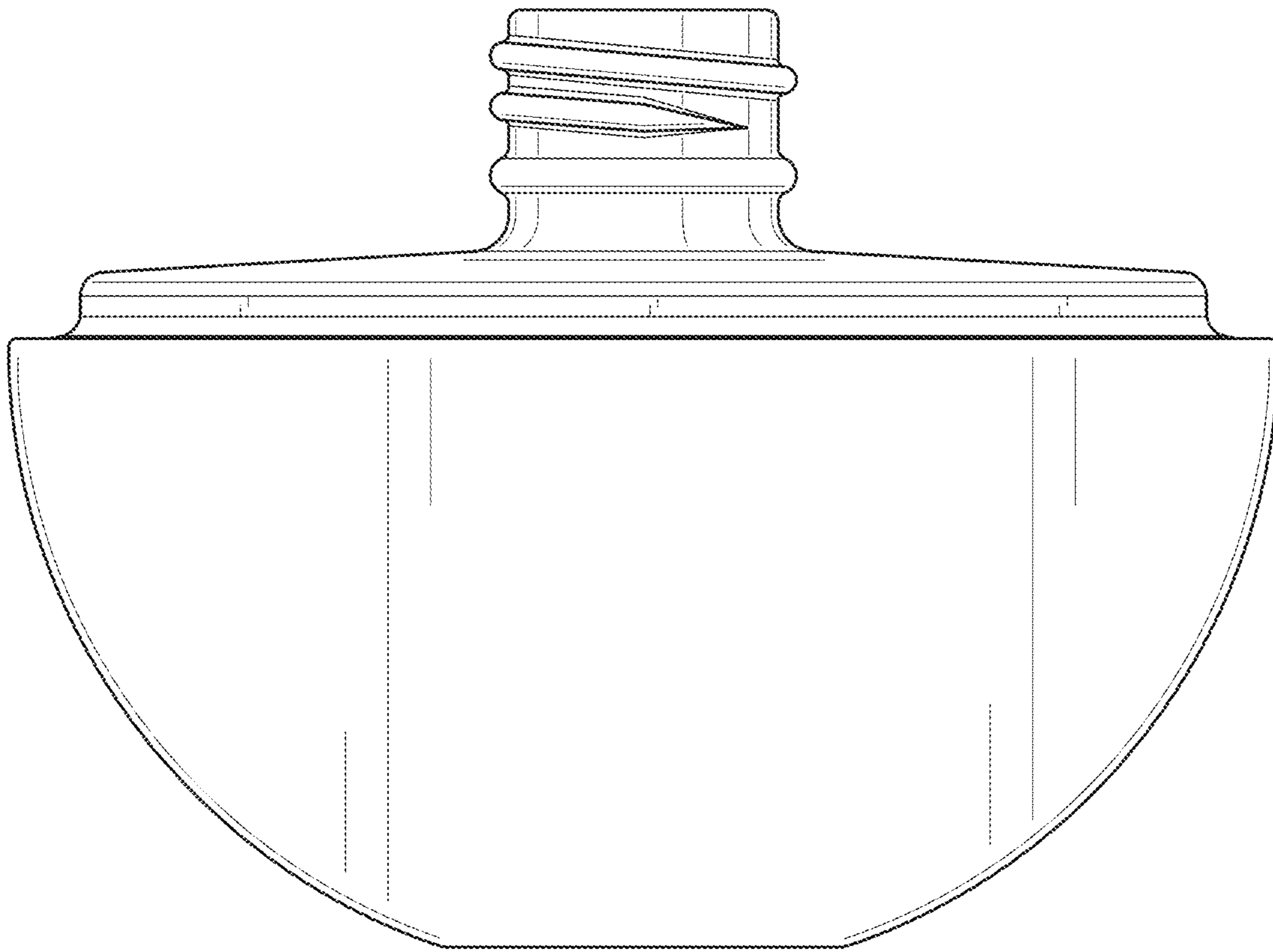


FIG. 2

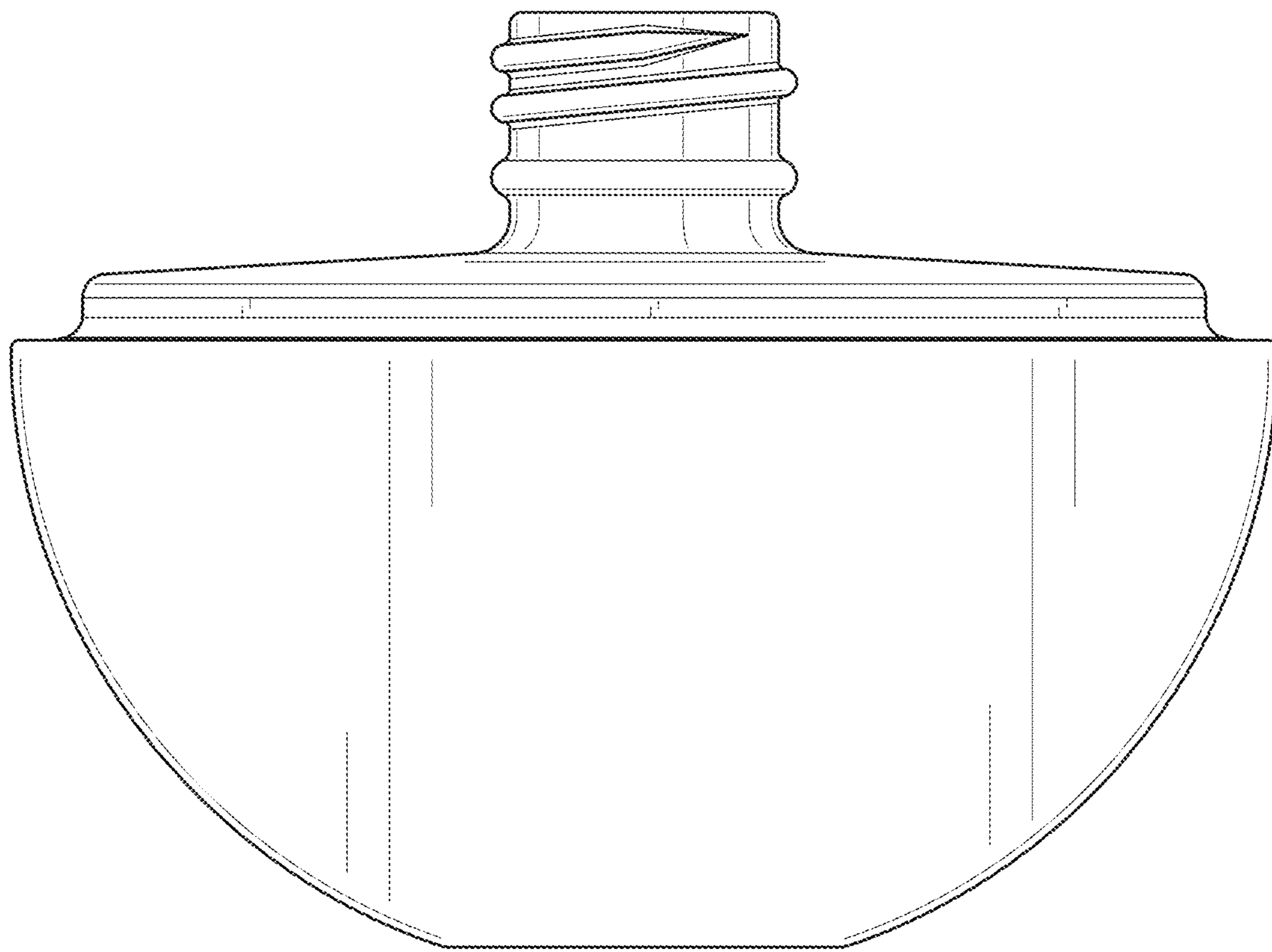


FIG. 3

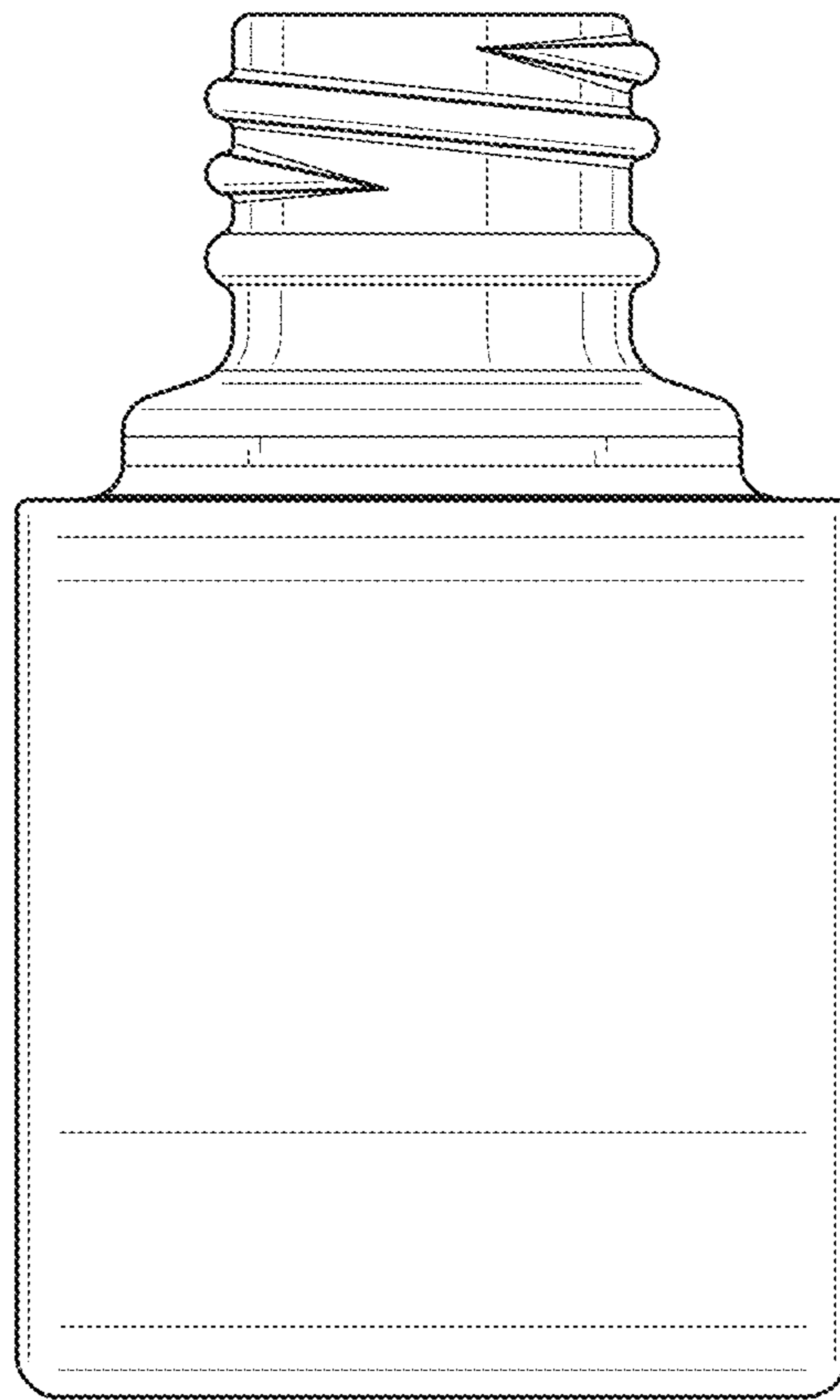


FIG. 4

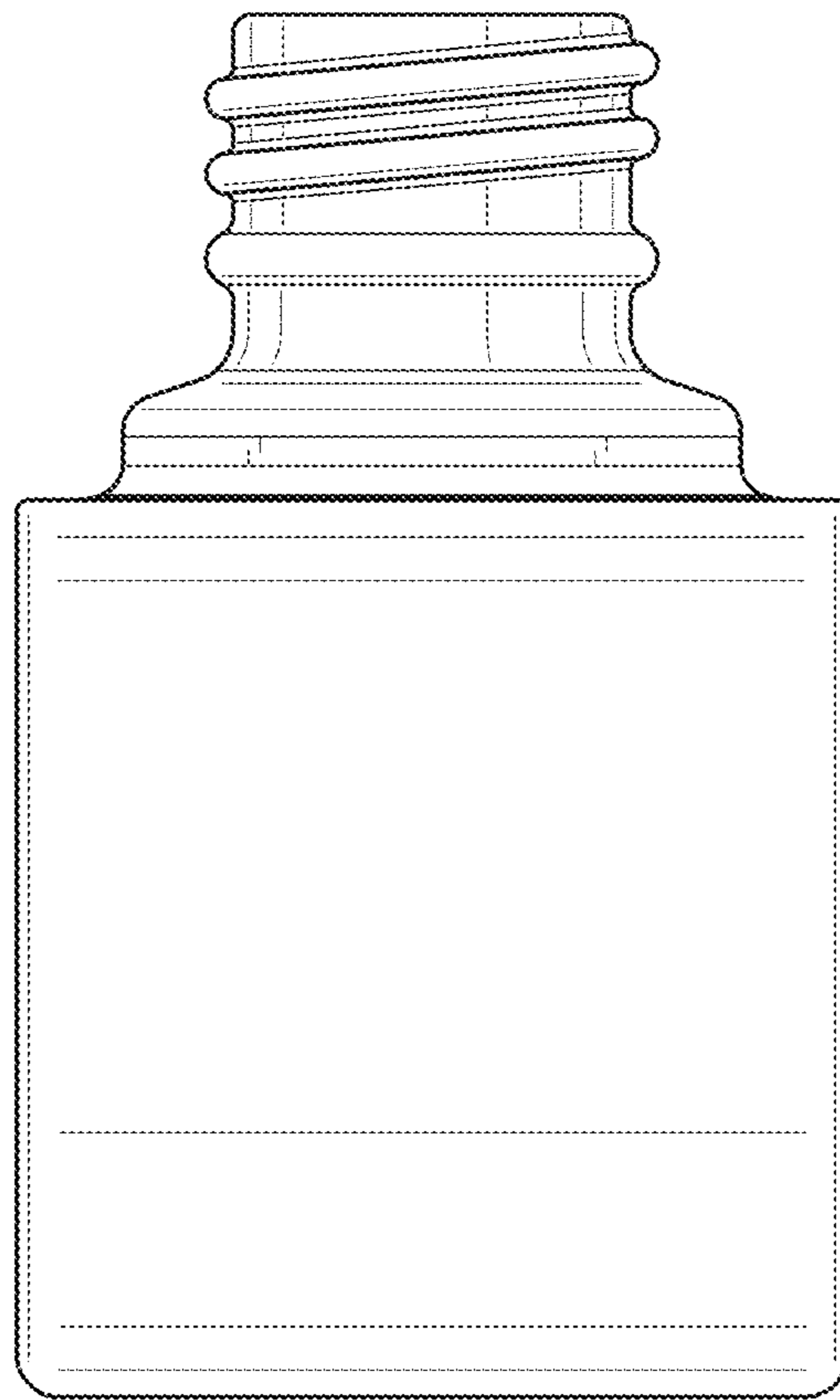


FIG. 5

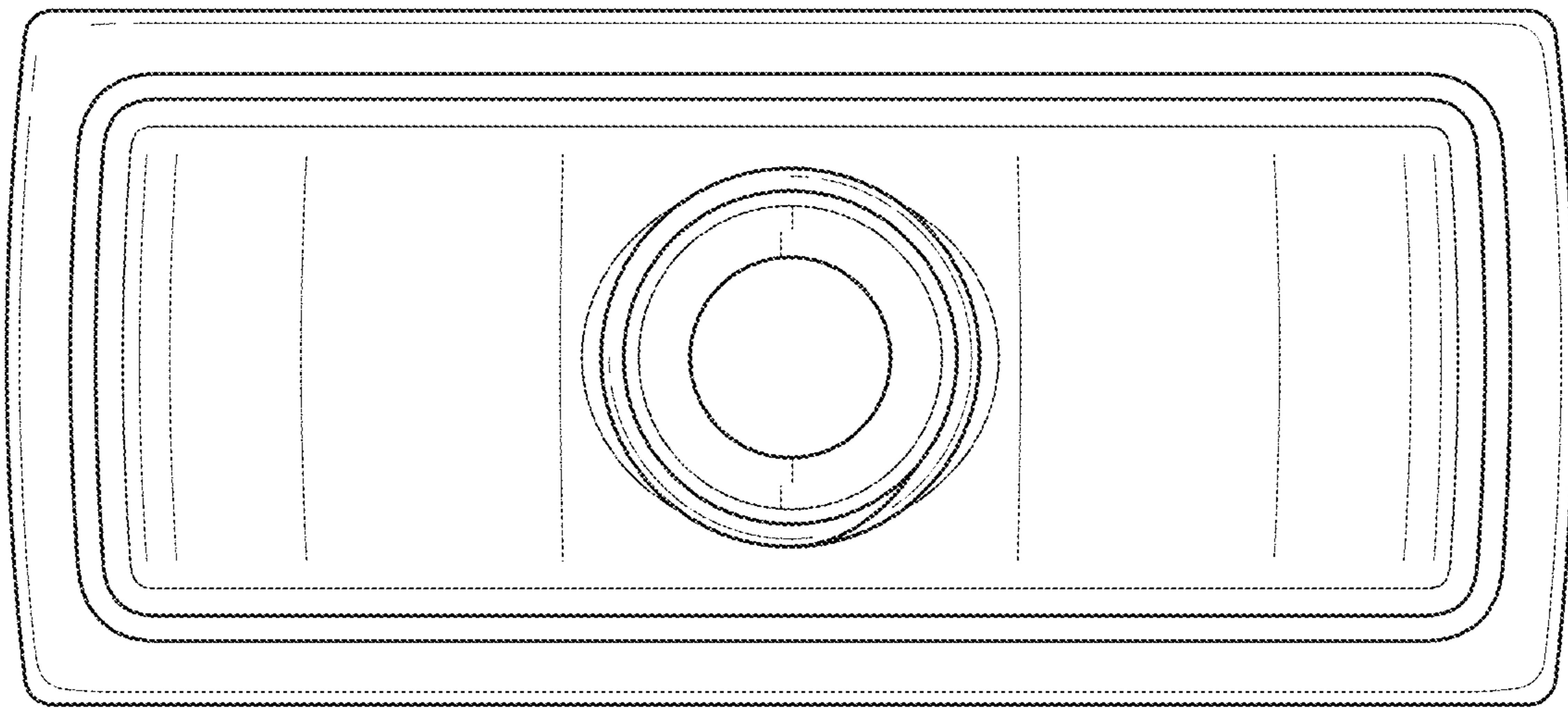


FIG. 6



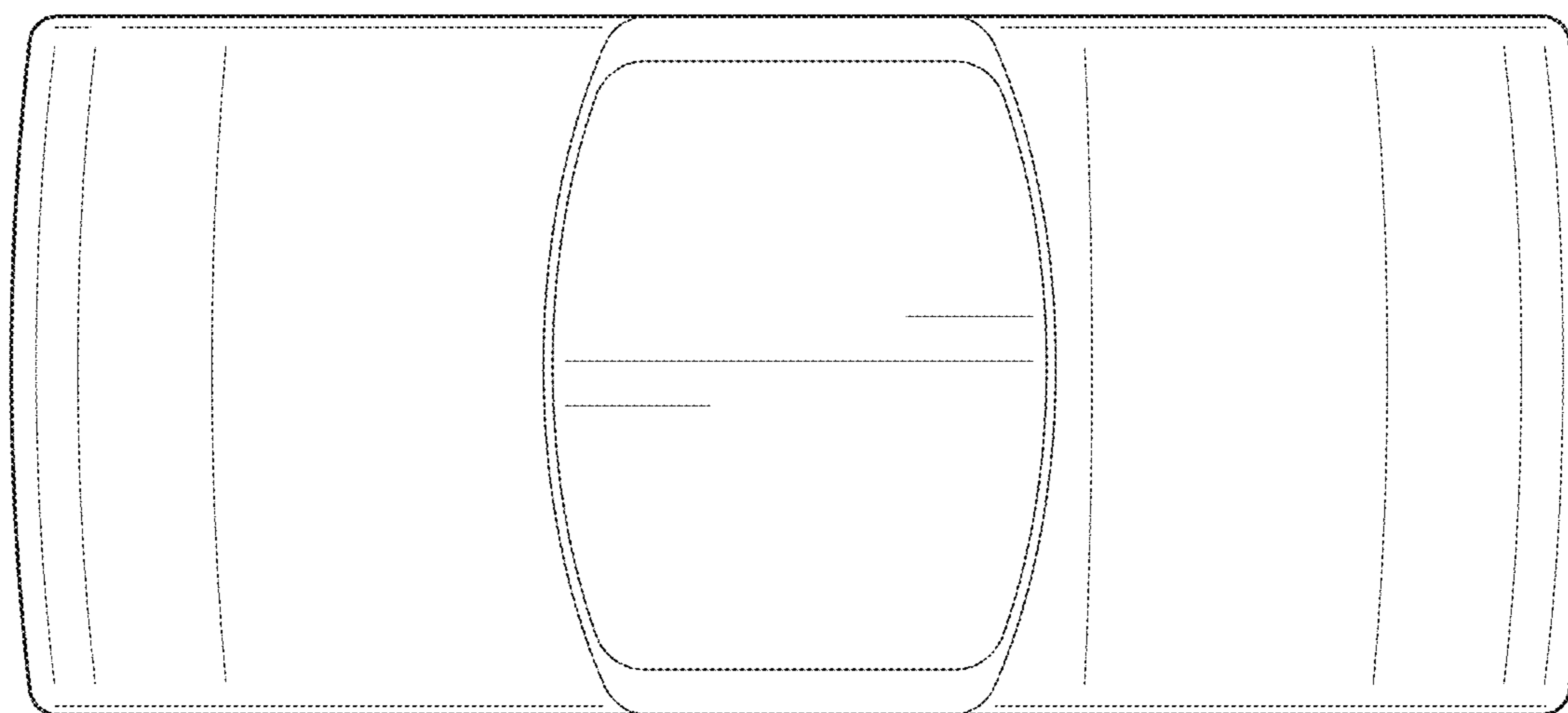


FIG. 7