



US00D889268S

(12) **United States Design Patent**
Gooden

(10) **Patent No.:** **US D889,268 S**

(45) **Date of Patent:** **** Jul. 7, 2020**

(54) **LIQUID SOAP BOTTLE**

(71) Applicant: **Hopkins Manufacturing Corporation**,
Emporia, KS (US)

(72) Inventor: **Marcus Gooden**, LomaLinda, CA (US)

(73) Assignee: **Hopkins Manufacturing Corporation**,
Emporia, KS (US)

(**) Term: **15 Years**

(21) Appl. No.: **29/640,757**

(22) Filed: **Mar. 16, 2018**

(51) **LOC (12) Cl.** **09-01**

(52) **U.S. Cl.**
USPC **D9/528; D9/575; D9/530**

(58) **Field of Classification Search**
USPC D9/435, 436, 446, 516, 523, 527, 528,
D9/530, 531-533, 537, 538, 539, 551,
D9/575, 715, 719
CPC B65D 23/10; B65D 1/0223; B65D 1/18;
B65D 15/22

See application file for complete search history.

(56) **References Cited**

U.S. PATENT DOCUMENTS

D171,647 S *	3/1954	Hills	215/382
D294,557 S *	3/1988	Jones	D9/523
D349,056 S *	7/1994	Jaramillo	D9/523
D387,277 S *	12/1997	Dixon	D9/528
D479,130 S *	9/2003	Kleckauskas	D9/531
D488,384 S *	4/2004	Murphy	D9/531
D527,639 S *	9/2006	Voss	B65D 1/18 D9/528

D536,989 S *	2/2007	Reyes	D9/528
D610,462 S *	2/2010	Weber	D9/528
D622,105 S *	8/2010	Koennecke	D7/509
D627,596 S *	11/2010	Hillebrenner	D7/396.2
D750,490 S *	3/2016	Moore	D9/446
D776,533 S *	1/2017	Kikel	D9/446
D795,064 S *	8/2017	Moore	D9/446
D797,555 S *	9/2017	Carlson	D9/436
D800,565 S *	10/2017	Bonaventura	D9/524
D813,668 S *	3/2018	Miller	D9/446

* cited by examiner

Primary Examiner — Shannon W Morgan

Assistant Examiner — Keith Frank

(74) *Attorney, Agent, or Firm* — Bond Schoeneck &
King, PLLC; George McGuire

(57) **CLAIM**

The ornamental design for a liquid soap bottle, as shown and described.

DESCRIPTION

FIG. 1 is a perspective view of a new and ornamental design for a liquid soap bottle;

FIG. 2 is a front elevation view thereof;

FIG. 3 is a rear elevation view thereof;

FIG. 4 is a first side elevation view thereof;

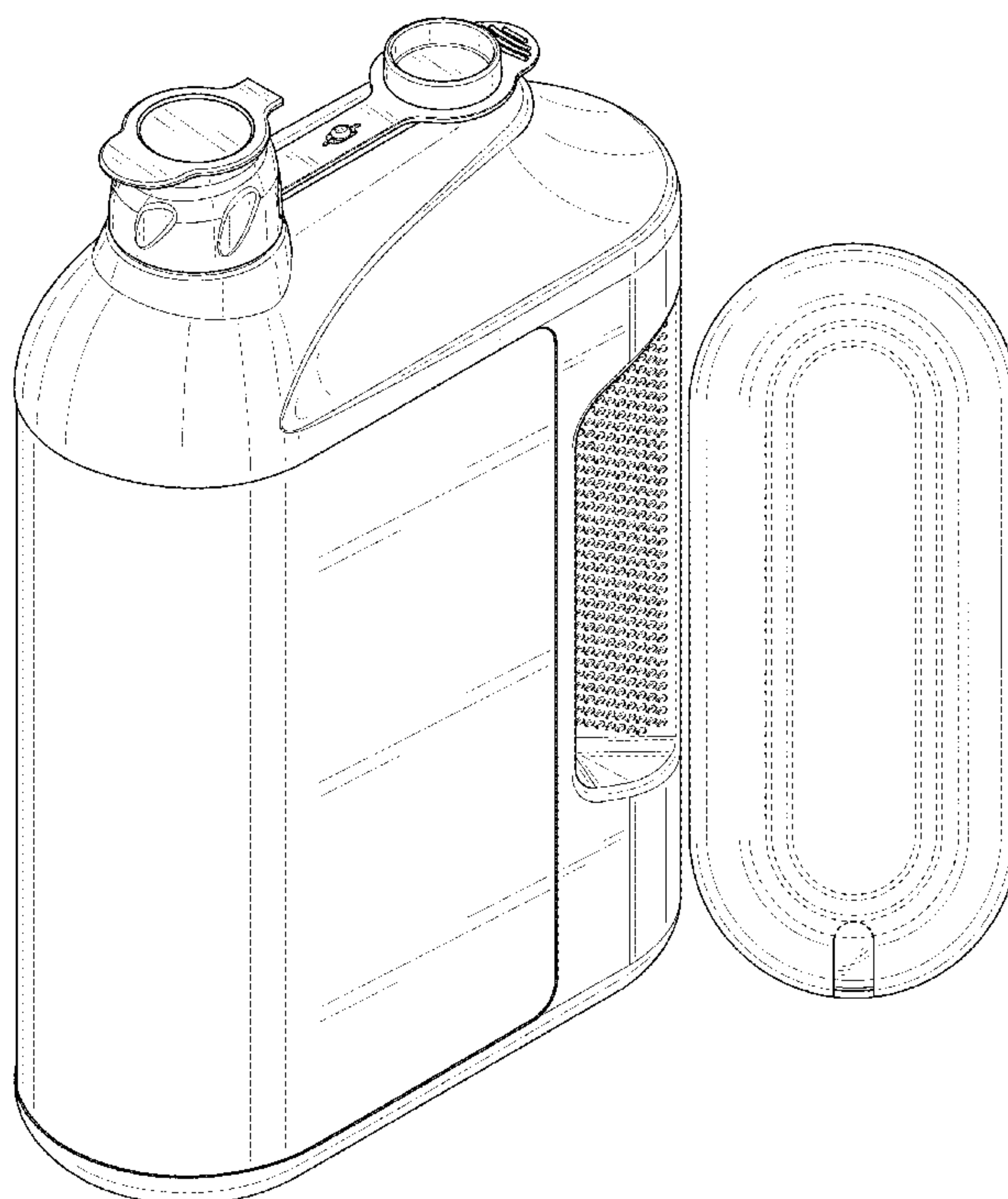
FIG. 5 is a second side elevation view thereof;

FIG. 6 is a top plan view thereof; and,

FIG. 7 is a bottom plan view thereof.

The broken lines in the drawings of the liquid soap bottle illustrate portions of the liquid soap bottle that form no part of the claimed design.

1 Claim, 7 Drawing Sheets



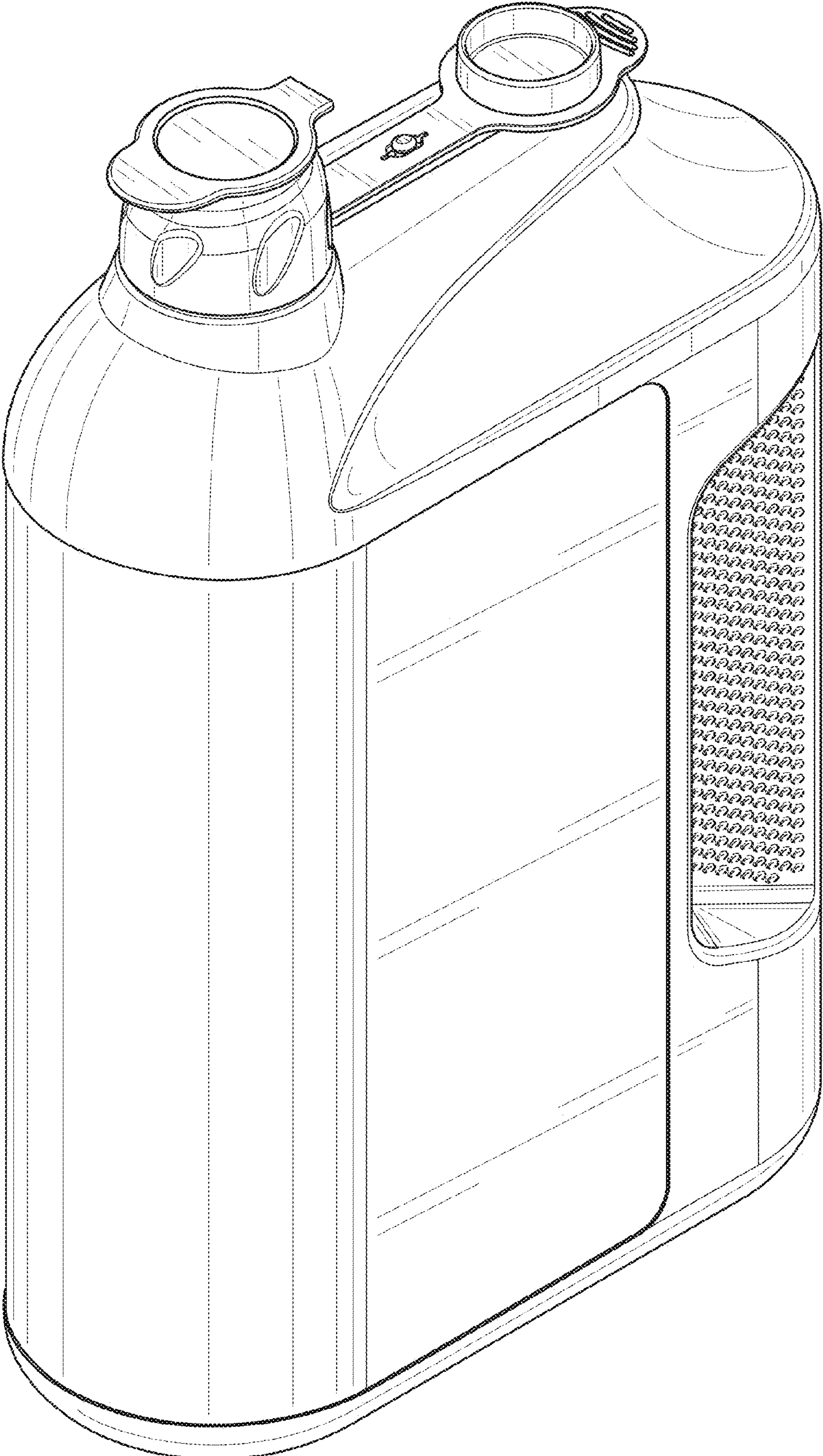


FIG. 1

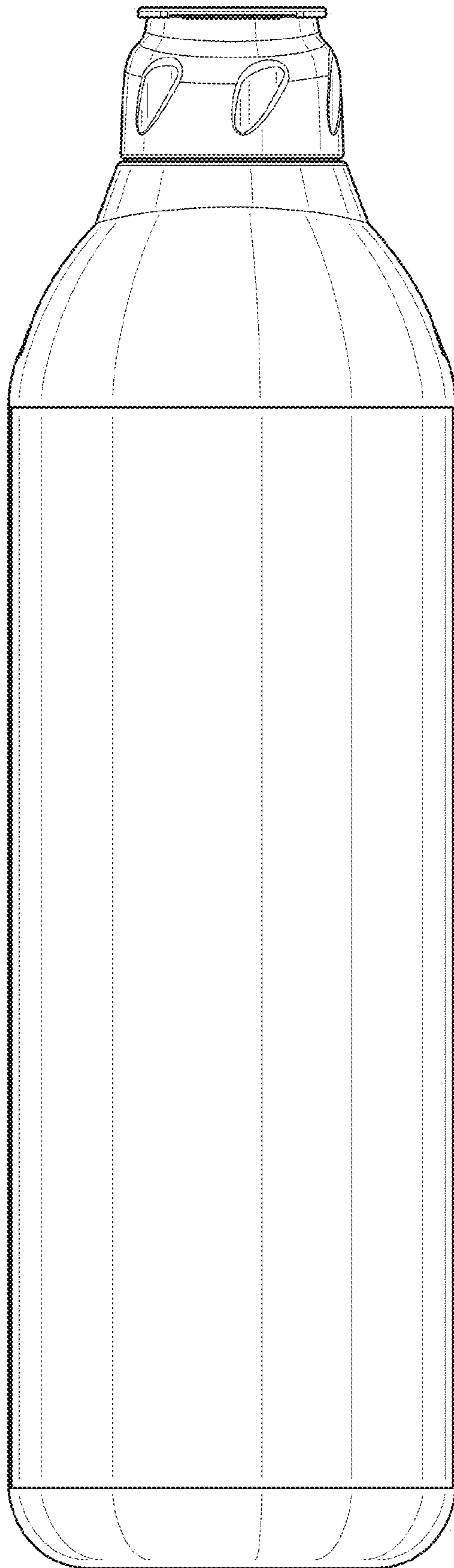


FIG. 2

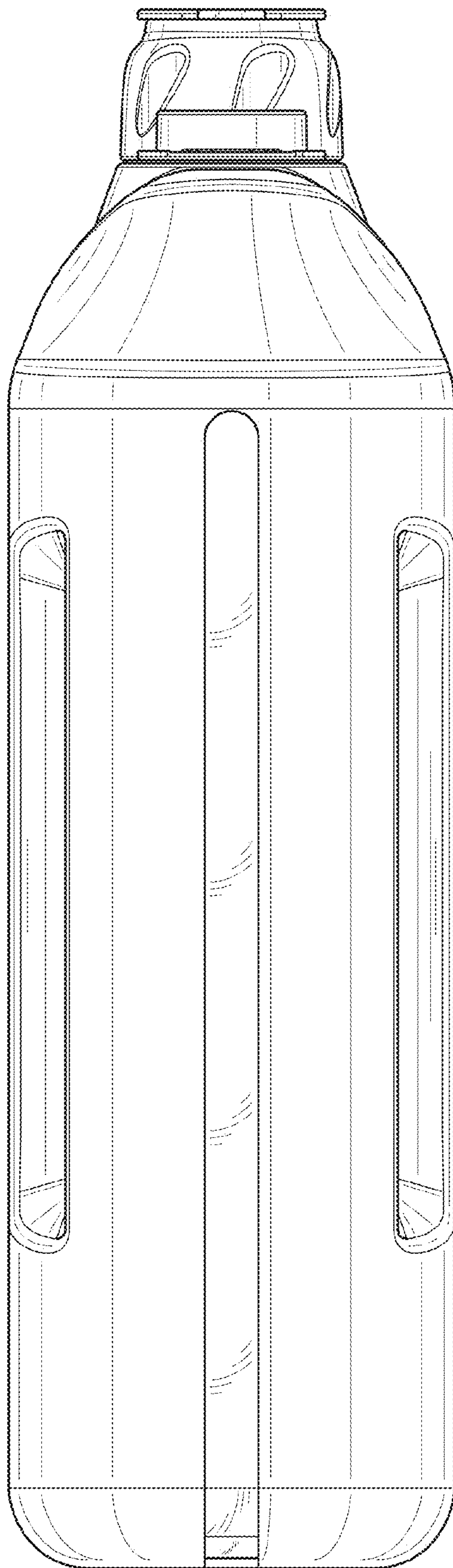


FIG. 3

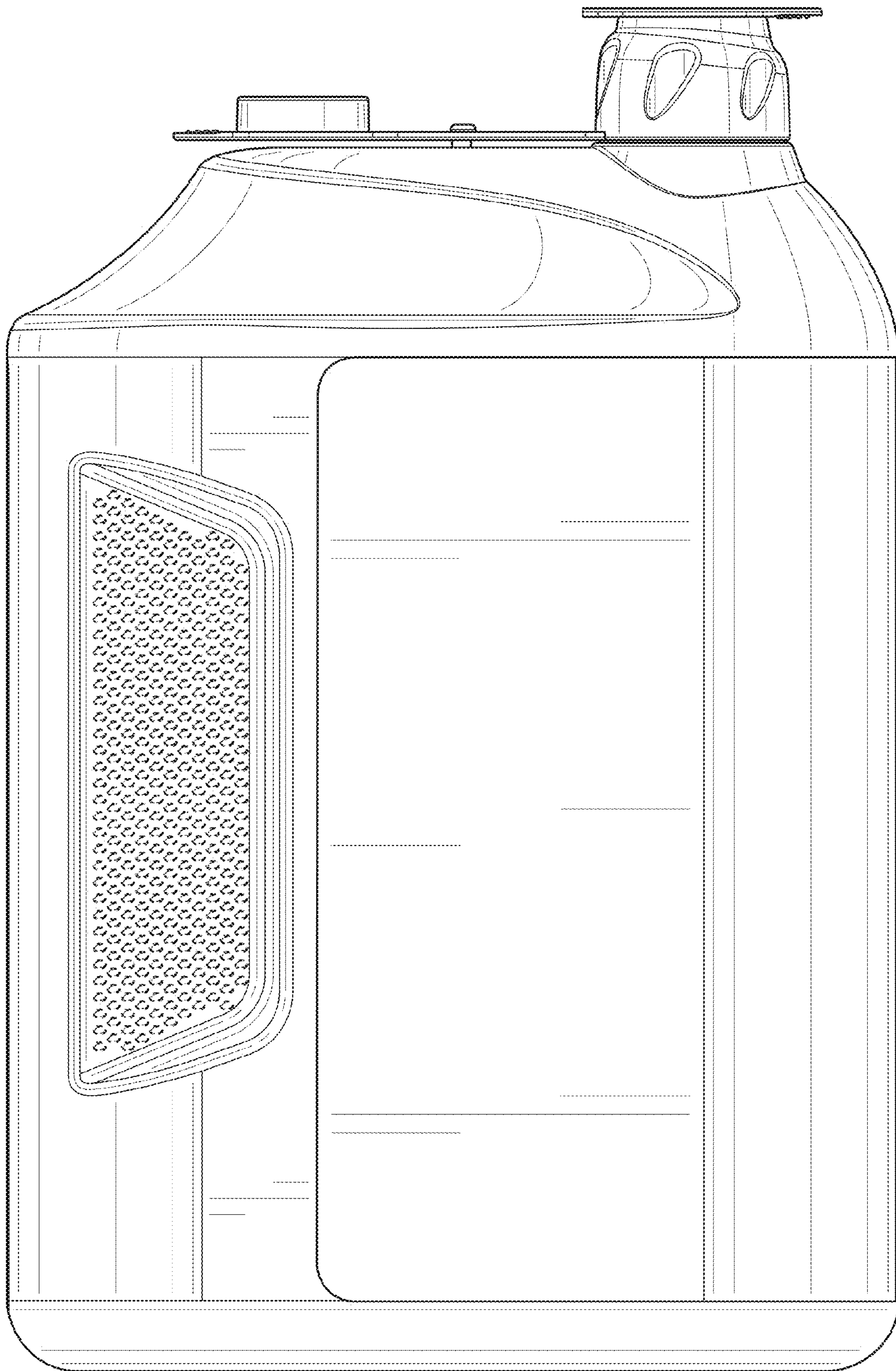


FIG. 4

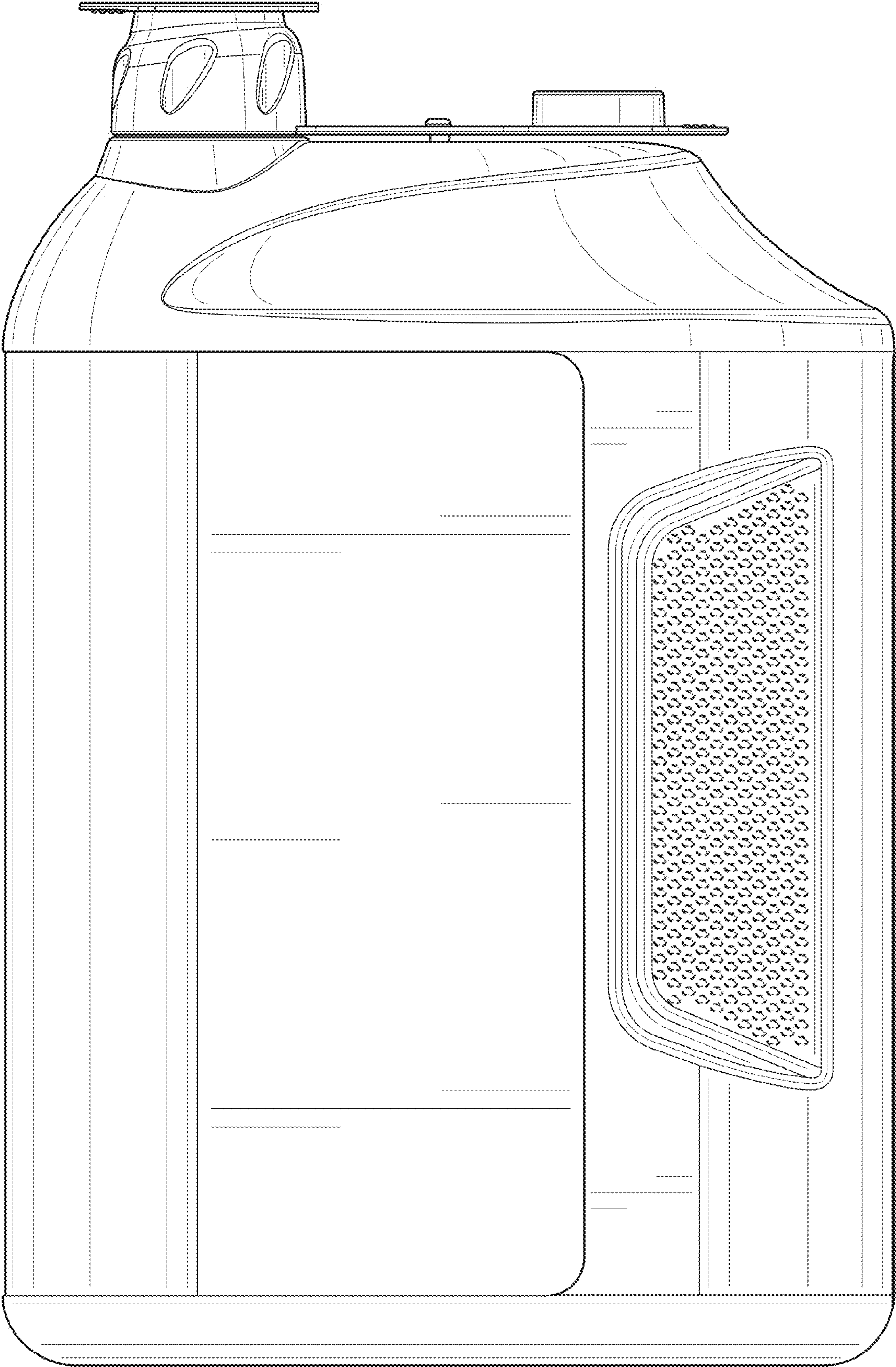


FIG. 5

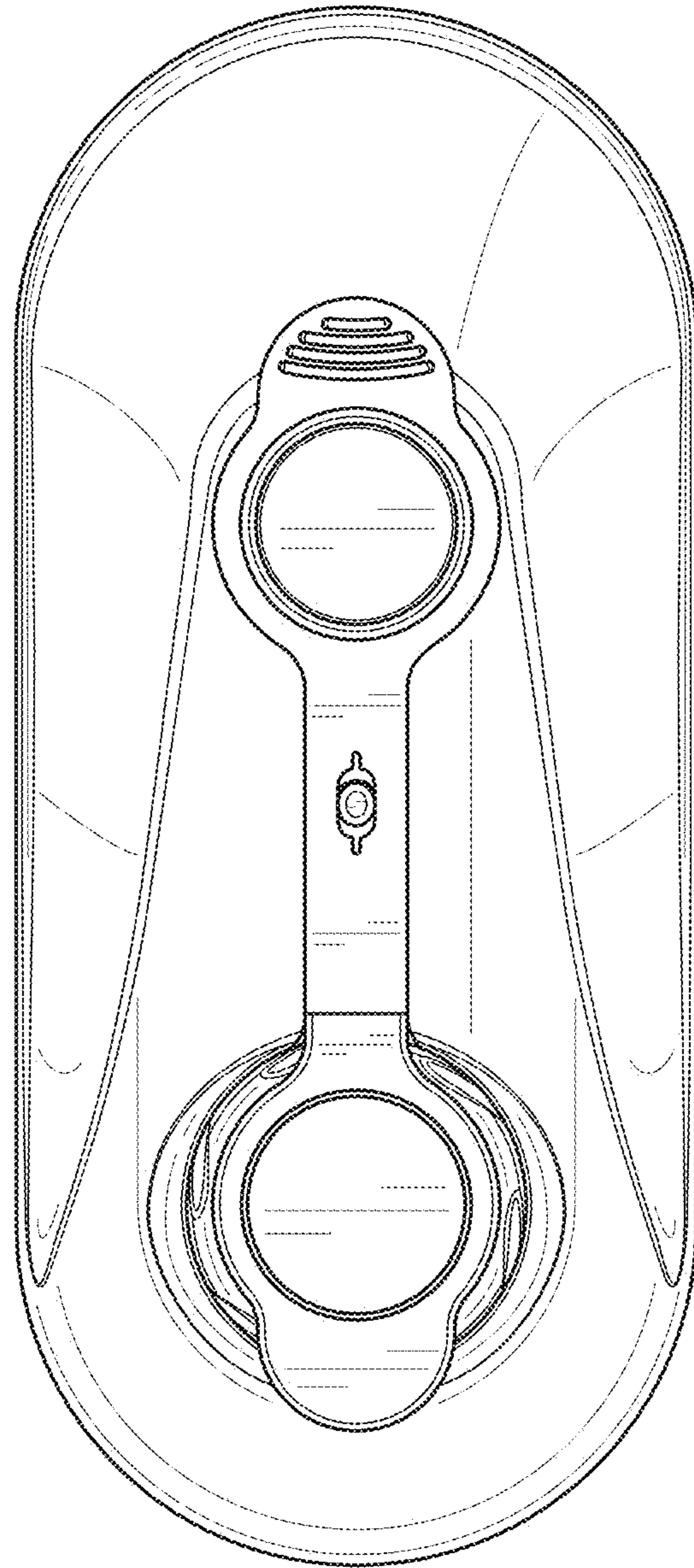


FIG. 6

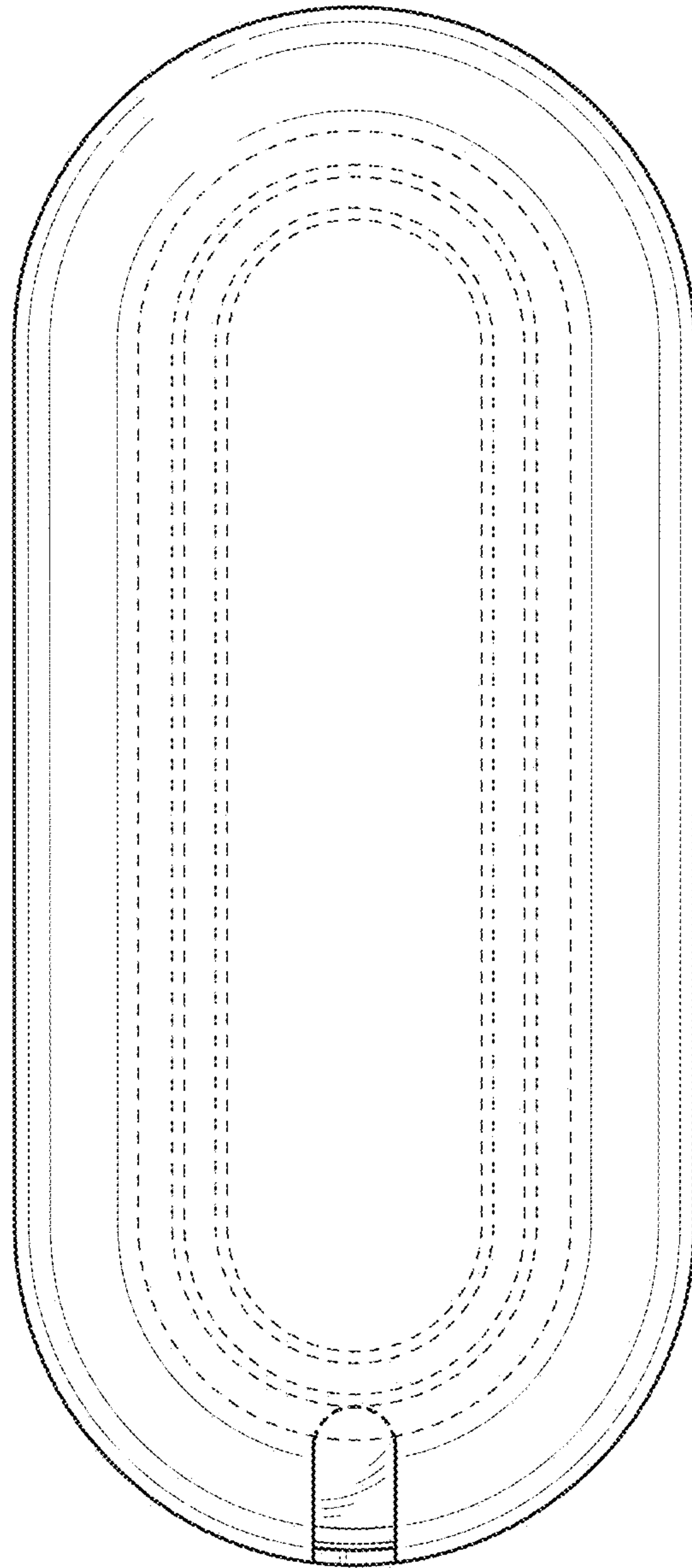


FIG. 7