



US00D889267S

(12) **United States Design Patent**  
**Smith et al.**

(10) **Patent No.:** **US D889,267 S**  
(45) **Date of Patent:** **\*\* Jul. 7, 2020**

(54) **CONTAINER**

3,245,857 A 4/1966 Rutledge  
D225,210 S 11/1972 Becker  
D247,469 S 3/1978 Plummer

(71) Applicant: **Owens-Brockway Glass Container Inc.**, Perrysburg, OH (US)

(Continued)

(72) Inventors: **Taylor Smith**, Findlay, OH (US);  
**Douglas Laib**, Perrysburg, OH (US);  
**Paul Harris**, Toledo, OH (US); **Sara Kollig**, Perrysburg, OH (US); **Michaela Dial**, Toledo, OH (US)

*Primary Examiner* — Dana Meyrow

(57) **CLAIM**

We claim the ornamental design for the container, as shown and described.

**DESCRIPTION**

(73) Assignee: **Owens-Brockway Glass Container Inc.**, Perrysburg, OH (US)

FIG. 1 is an upper perspective view of a container in accordance with an embodiment of our new claimed design.

(\*\*) Term: **15 Years**

FIG. 2 is an elevational view of the container in FIG. 1,

(21) Appl. No.: **29/696,546**

FIG. 3 is a top view of the container in FIG. 1.

(22) Filed: **Jun. 28, 2019**

FIG. 4 is a bottom view of the container in FIG. 1.

(51) **LOC (12) Cl.** ..... **09-01**

FIG. 5 is an upper perspective view of a container in accordance with another embodiment our new claimed design.

(52) **U.S. Cl.**

USPC ..... **D9/516; D9/500**

FIG. 6 is an elevational view of the container in FIG. 5.

(58) **Field of Classification Search**

USPC ..... D9/434, 500, 502-505, 516, 530, 537,  
D9/539, 545, 549, 558, 715, 719,  
D9/763-764, 772, 776-780

FIG. 7 is a top view of the container in FIG. 5; and,

CPC ..... B65D 1/00; B65D 1/02; B65D 1/0223;  
B65D 23/00; B65D 81/00; B65D  
2501/00; B65D 2501/0009

FIG. 8 is a bottom view of the container in FIG. 5.

See application file for complete search history.

Dash-dash broken lines shown in the drawings illustrate portions of the container that form no part of the claimed design.

(56) **References Cited**

U.S. PATENT DOCUMENTS

1,728,883 A \* 9/1929 Simon ..... B65D 1/04  
215/6  
D107,586 S 12/1937 Toulhouse  
2,374,092 A \* 4/1945 Glaser ..... A47G 19/2205  
215/6  
D179,984 S 4/1957 Salamon  
D201,582 S 7/1965 Morgan et al.

Dash-dot broken lines shown in the drawings represent boundaries of the claimed design and form no part of the claimed design.

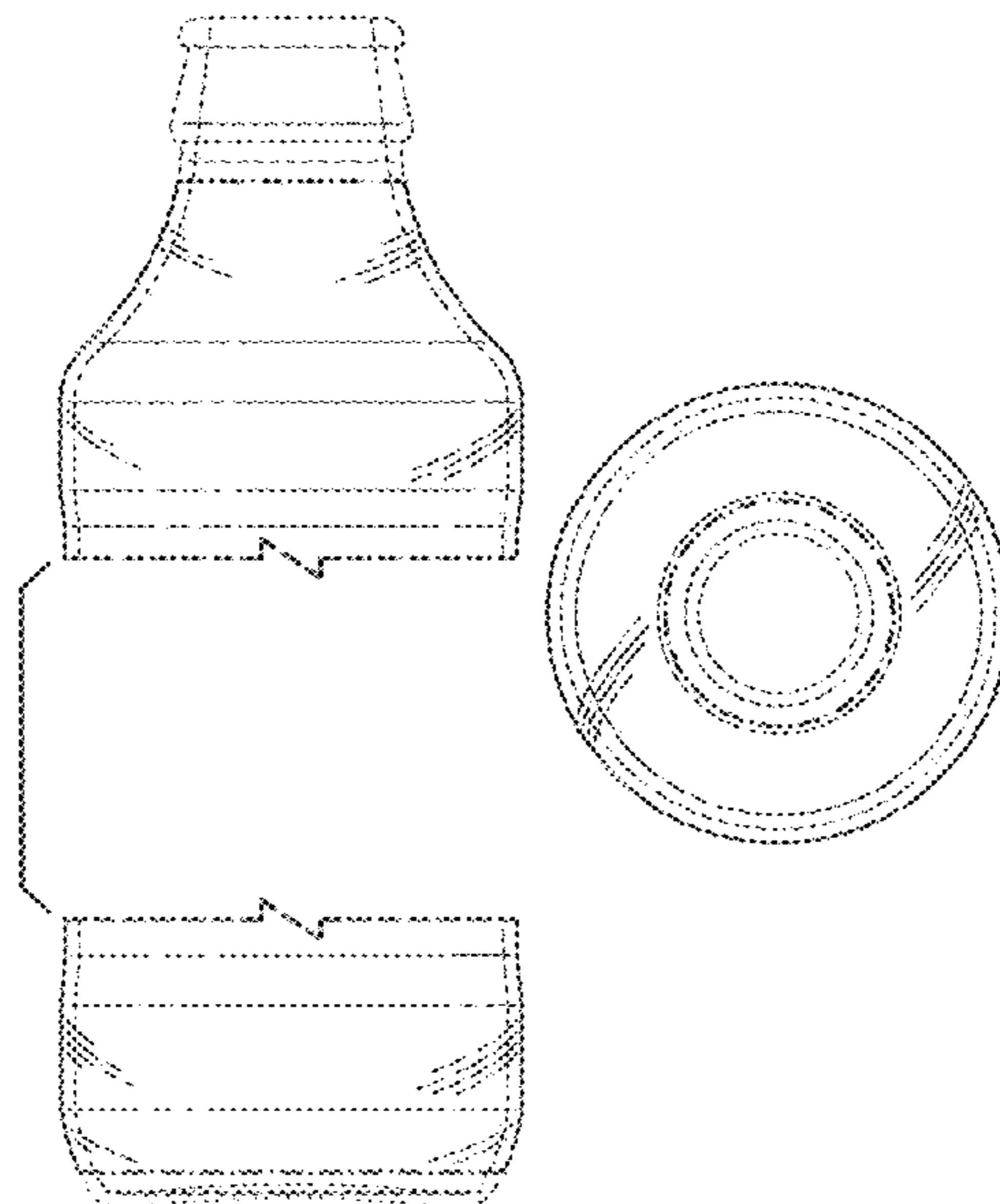
Evenly dashed break lines that separate portions of the container, and a space and a bracket between these broken lines, form no part of the claimed design.

The terms top, left, right, bottom, rear, side, and front are used for reference only and do not limit the claimed design.

Shading lines shown in the drawings represent surface contours, or transparency, translucency, or opacity, and not surface ornamentation, and such lines, in and of themselves, are not part of the claimed design.

Portions of the container not shown in the drawings form no part of the claimed design.

**1 Claim, 2 Drawing Sheets**



(56)

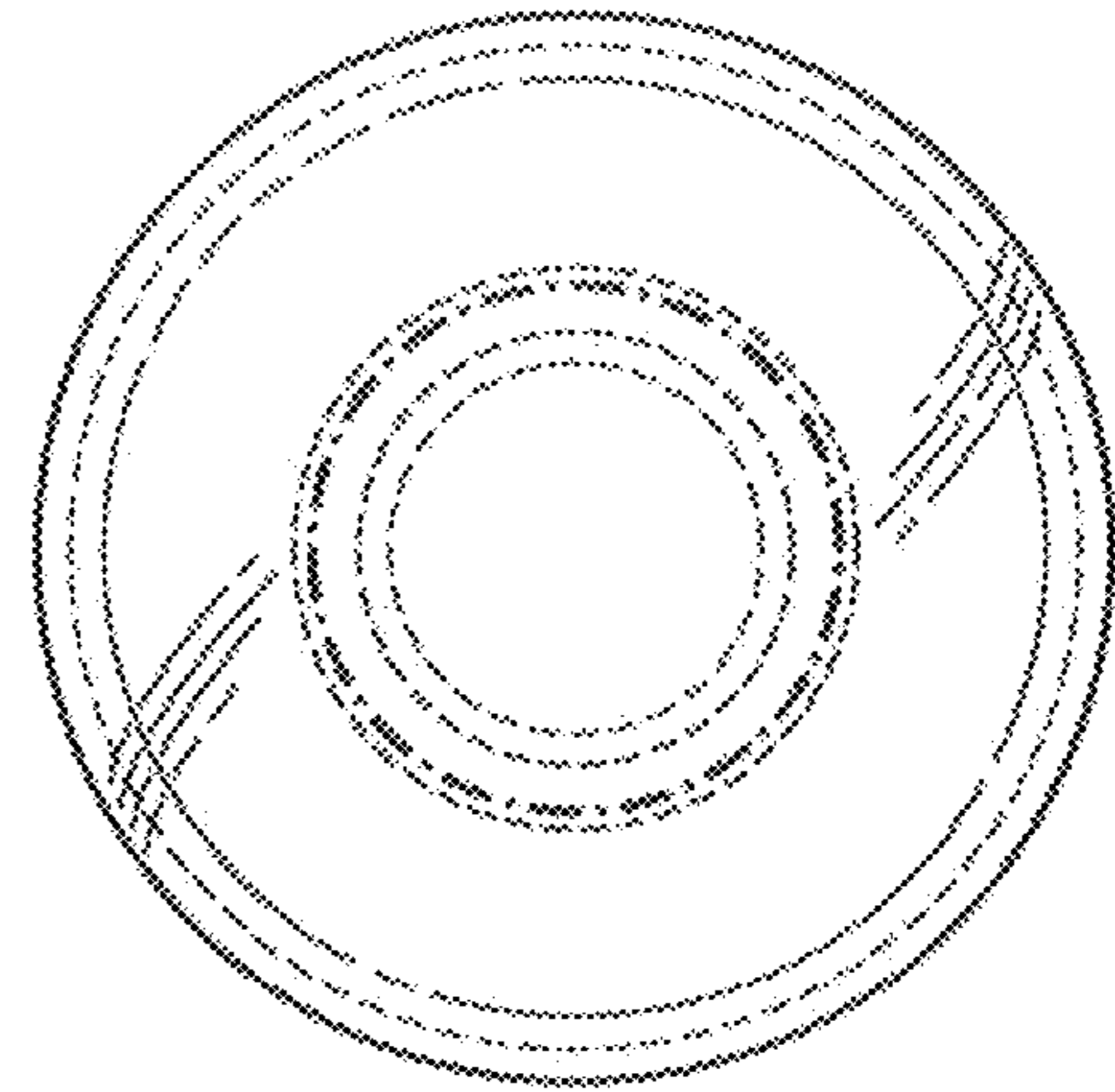
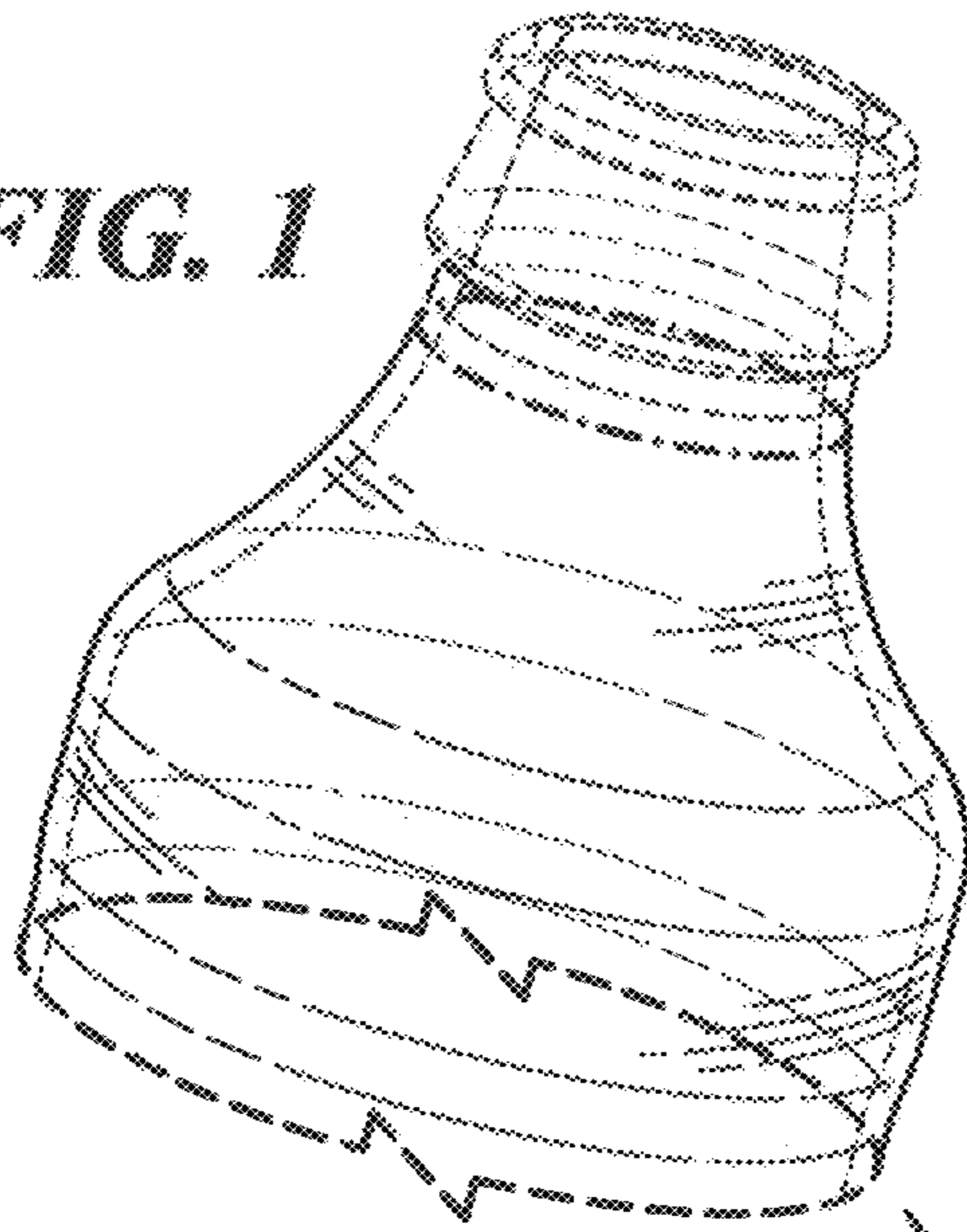
**References Cited**

U.S. PATENT DOCUMENTS

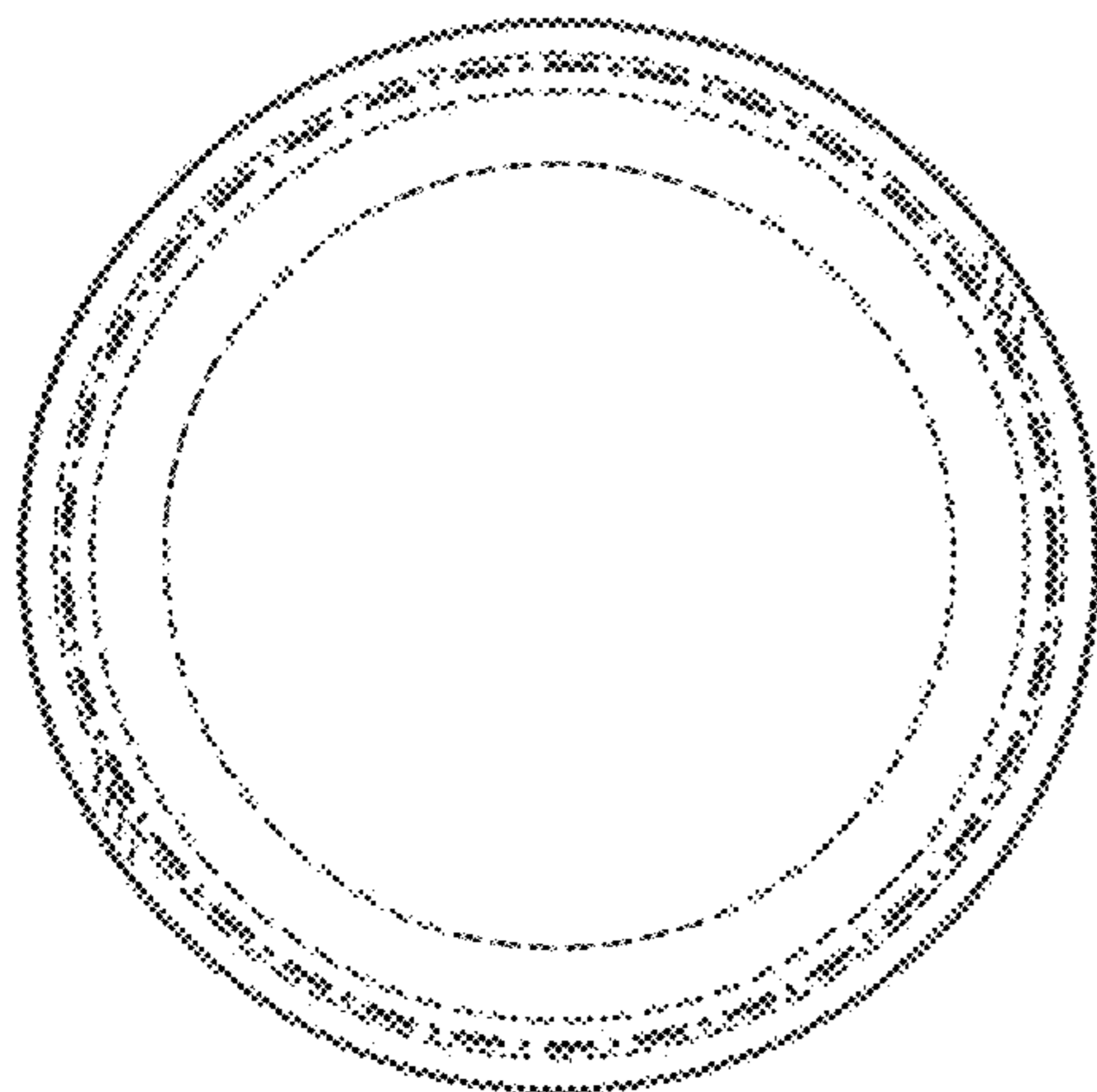
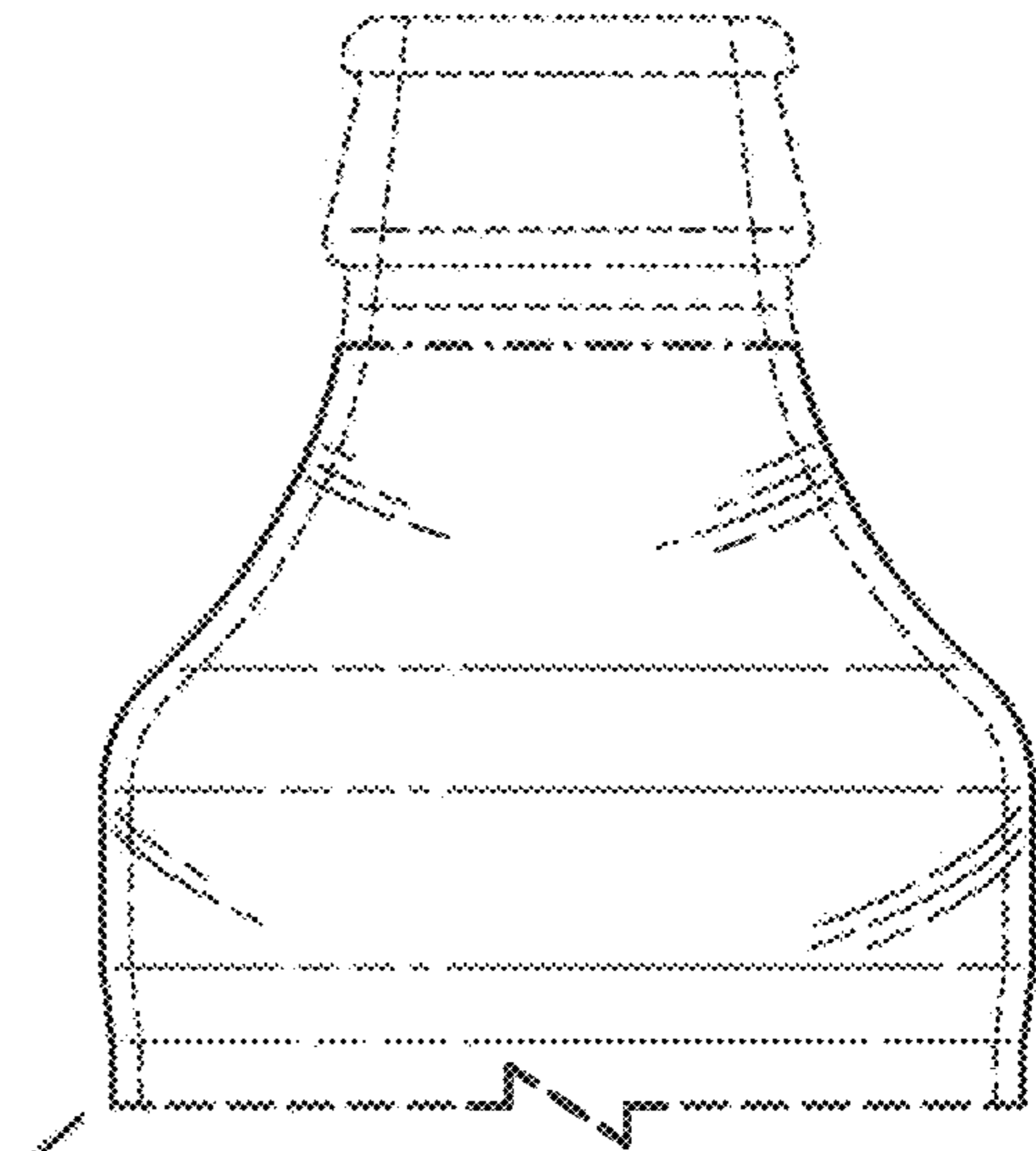
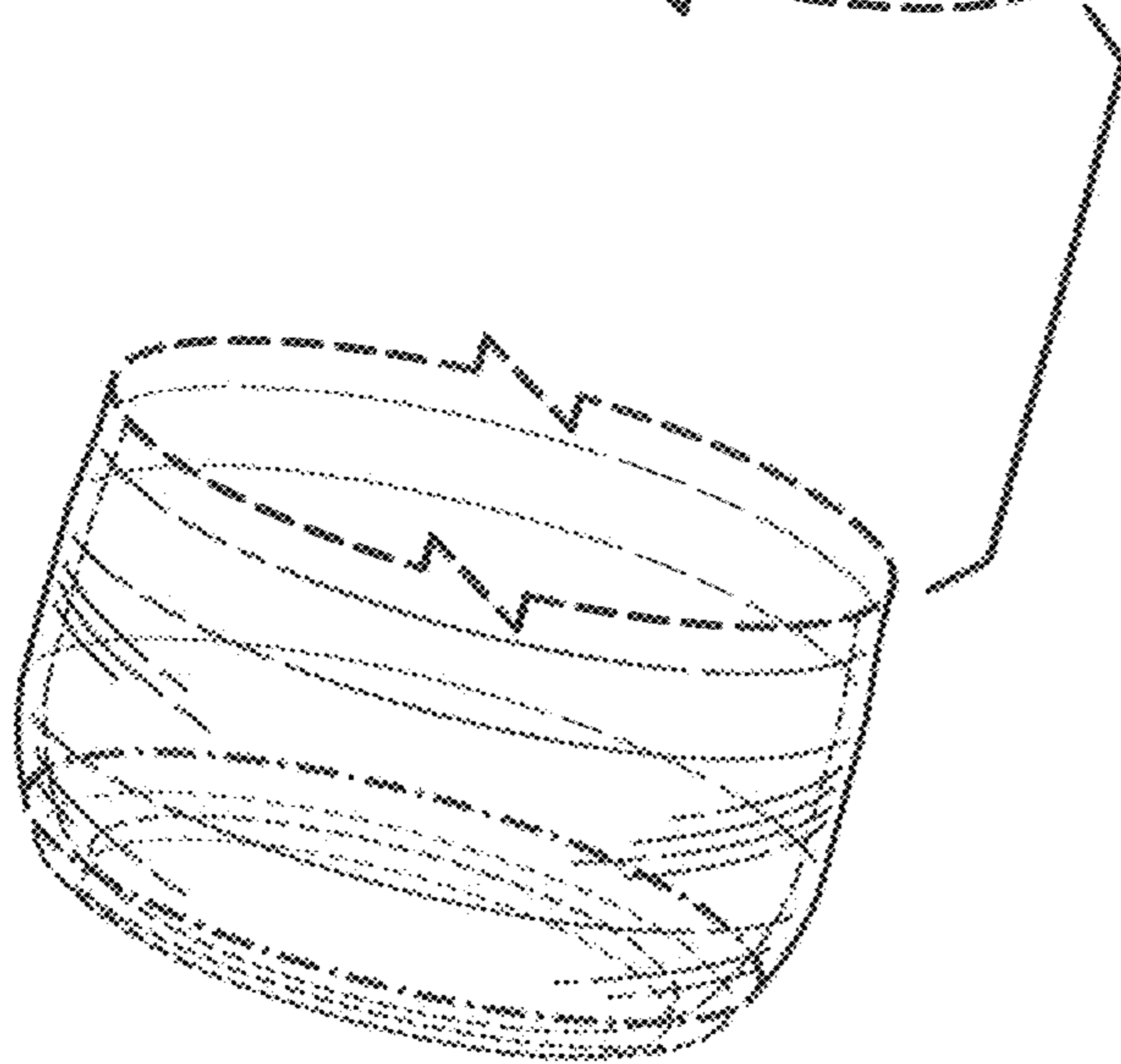
D247,471 S	3/1978	Strand	D605,040 S	12/2009	Fry et al.	
D248,835 S	8/1978	Korsmeyer	D620,360 S	7/2010	Walsh	
D248,927 S	8/1978	Cassia	D638,708 S	5/2011	Walsh	
D268,907 S	5/1983	Sledge	D639,164 S	6/2011	Walsh	
D275,736 S	10/1984	Aldrich, III	D643,291 S	8/2011	Haskins	
D280,708 S	9/1985	Yoshimura	D673,858 S	1/2013	Horio	
D280,801 S	10/1985	Yoshimura	D684,059 S	6/2013	Johnson et al.	
D295,372 S	4/1988	Klette et al.	D687,710 S	8/2013	Johnson et al.	
D309,876 S	8/1990	Mesnard	D696,585 S	12/2013	Manne et al.	
D385,800 S	11/1997	Lusker	D697,404 S	1/2014	Johnson et al.	
D393,207 S	4/1998	Farlander et al.	D697,420 S	1/2014	Hamill	
D431,468 S	10/2000	Potts	D704,557 S	5/2014	Hamill	
D449,228 S	10/2001	Nosella	D707,132 S	6/2014	Brookner et al.	
D454,503 S	3/2002	Riddick, III et al.	D718,137 S *	11/2014	Ahlgren .....	D9/500
D489,983 S	5/2004	Futral et al.	D734,154 S	7/2015	Johnson et al.	
D489,984 S	5/2004	Futral et al.	D759,493 S	6/2016	Evers et al.	
D514,448 S	2/2006	Kuzma et al.	D790,968 S	7/2017	Thompson	
D548,090 S	8/2007	Waldner	D813,676 S	3/2018	Pelkey	
D569,252 S	5/2008	Borsari et al.	D838,176 S *	1/2019	Harris .....	D9/516
D571,661 S	6/2008	Ulibarri	D838,177 S *	1/2019	Paredes .....	D9/516
			D845,769 S	4/2019	Delbon	
			D848,265 S	5/2019	Harris et al.	
			D849,542 S	5/2019	Harris et al.	

\* cited by examiner

**FIG. 1**

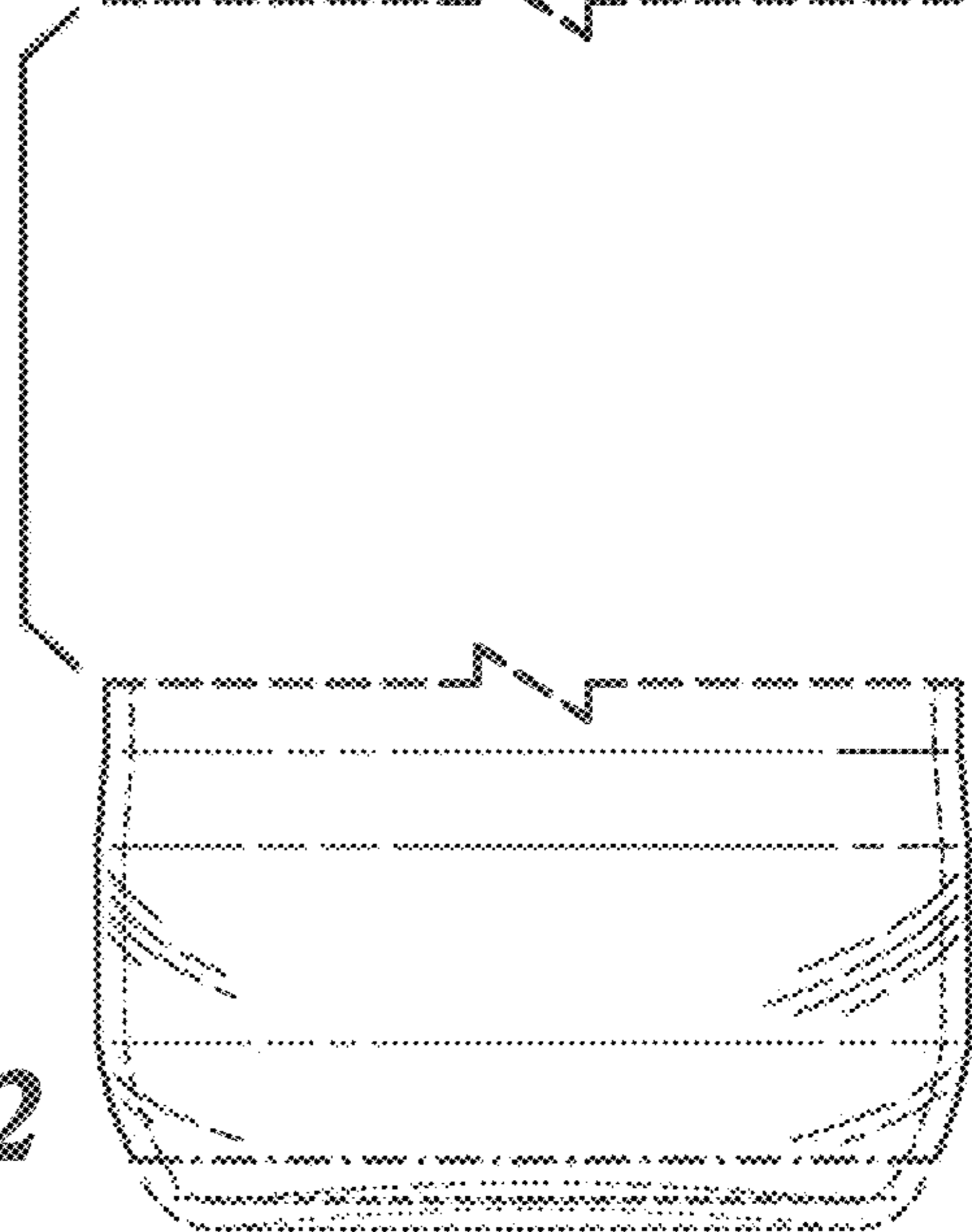


**FIG. 3**

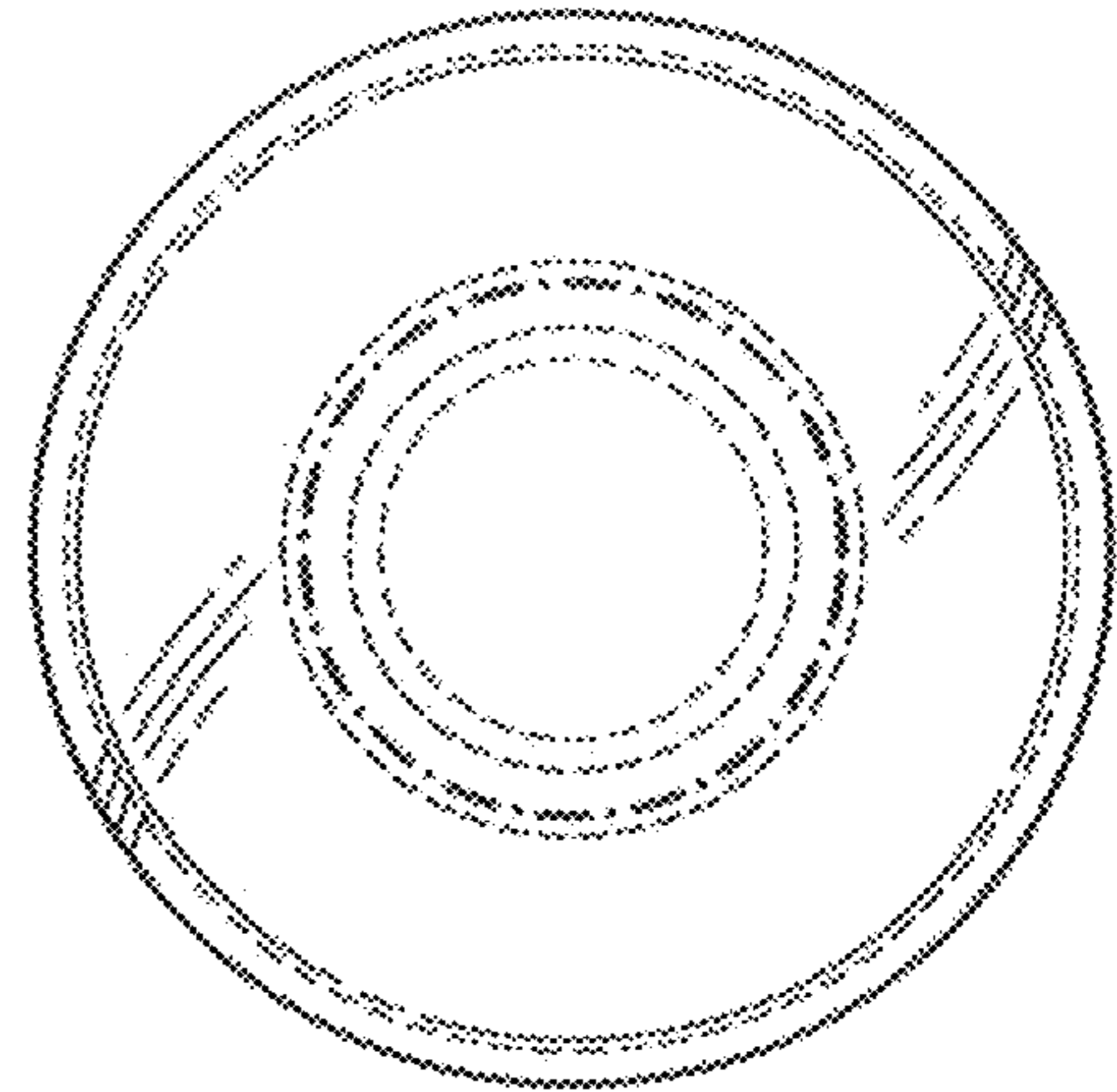
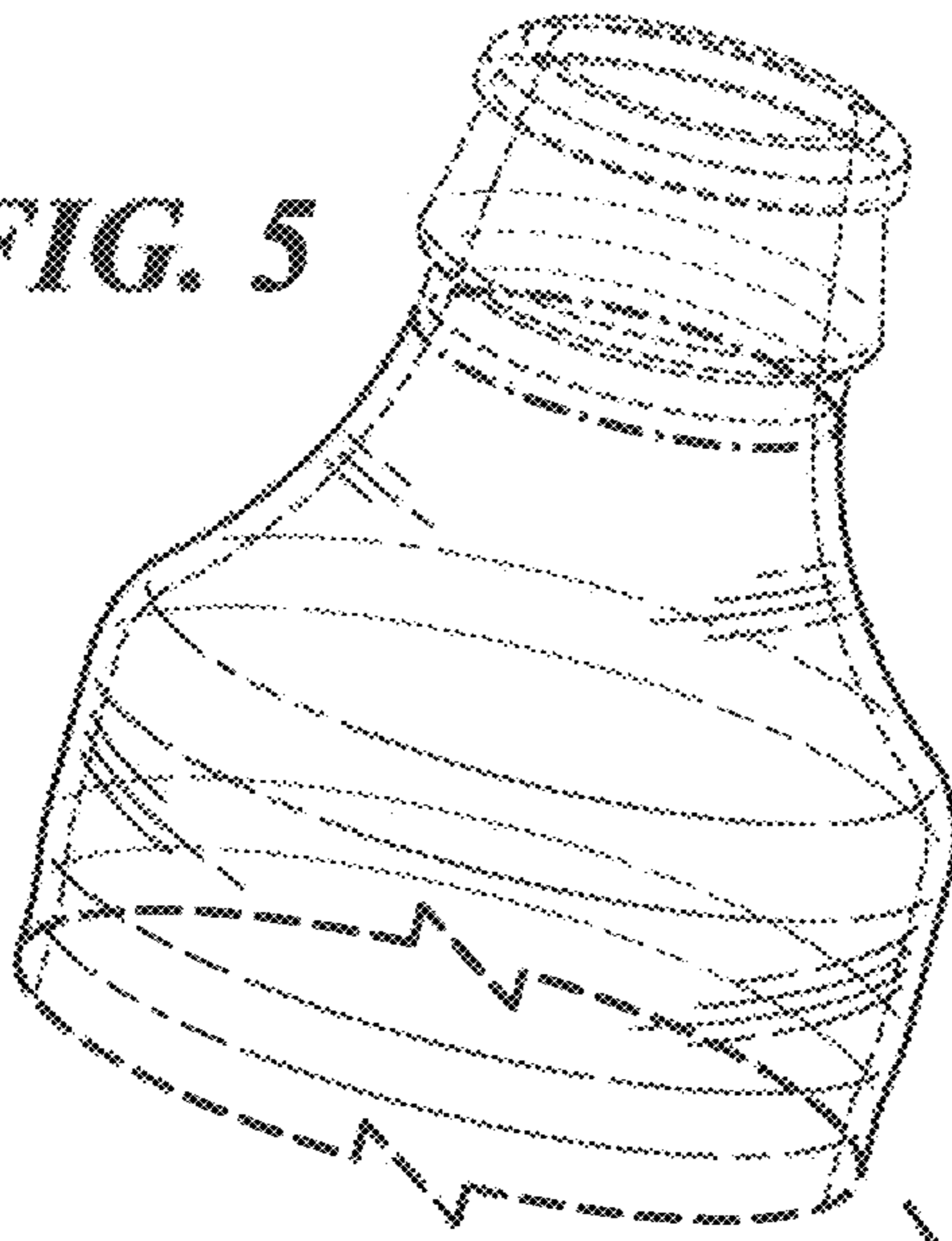


**FIG. 4**

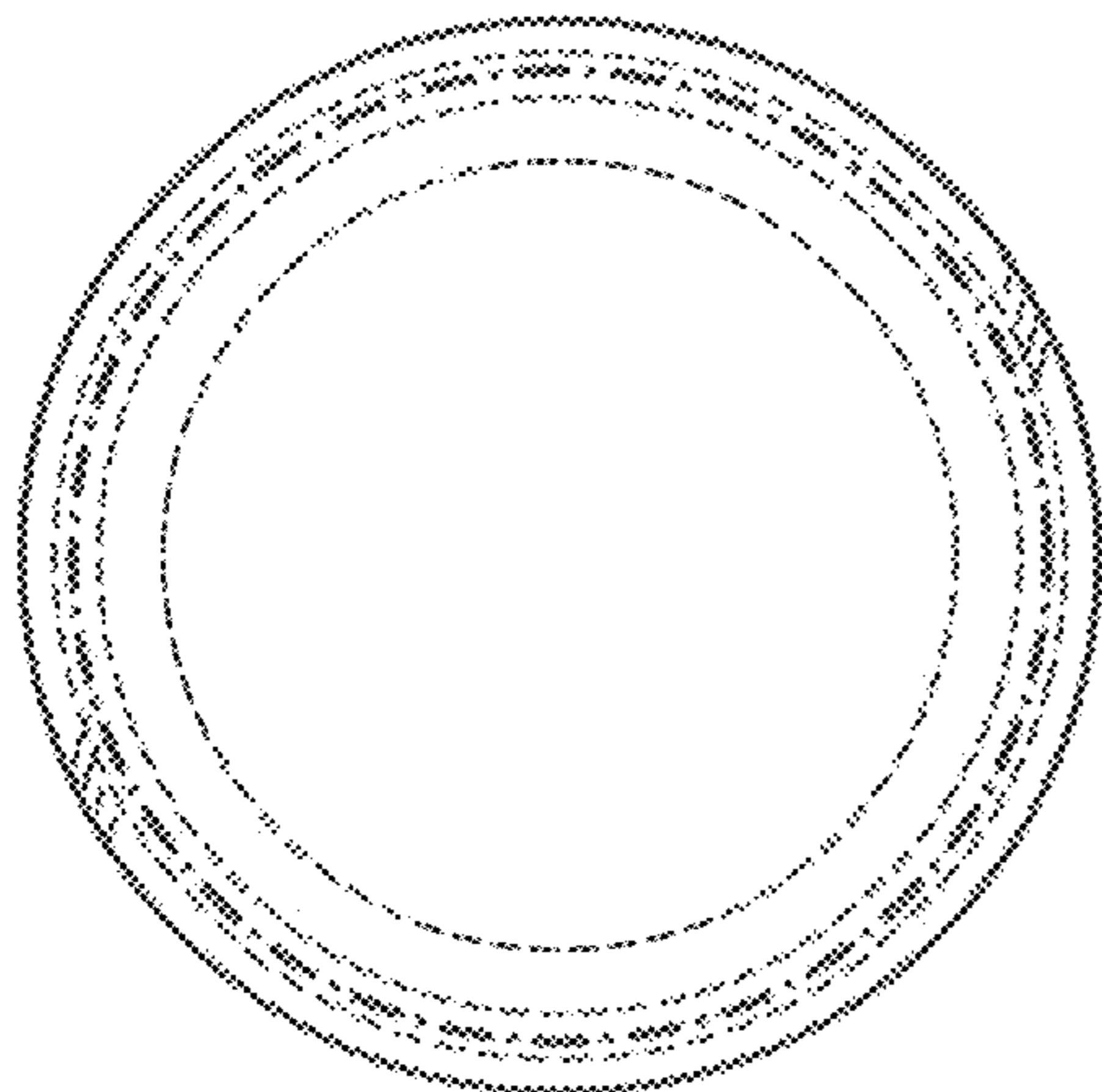
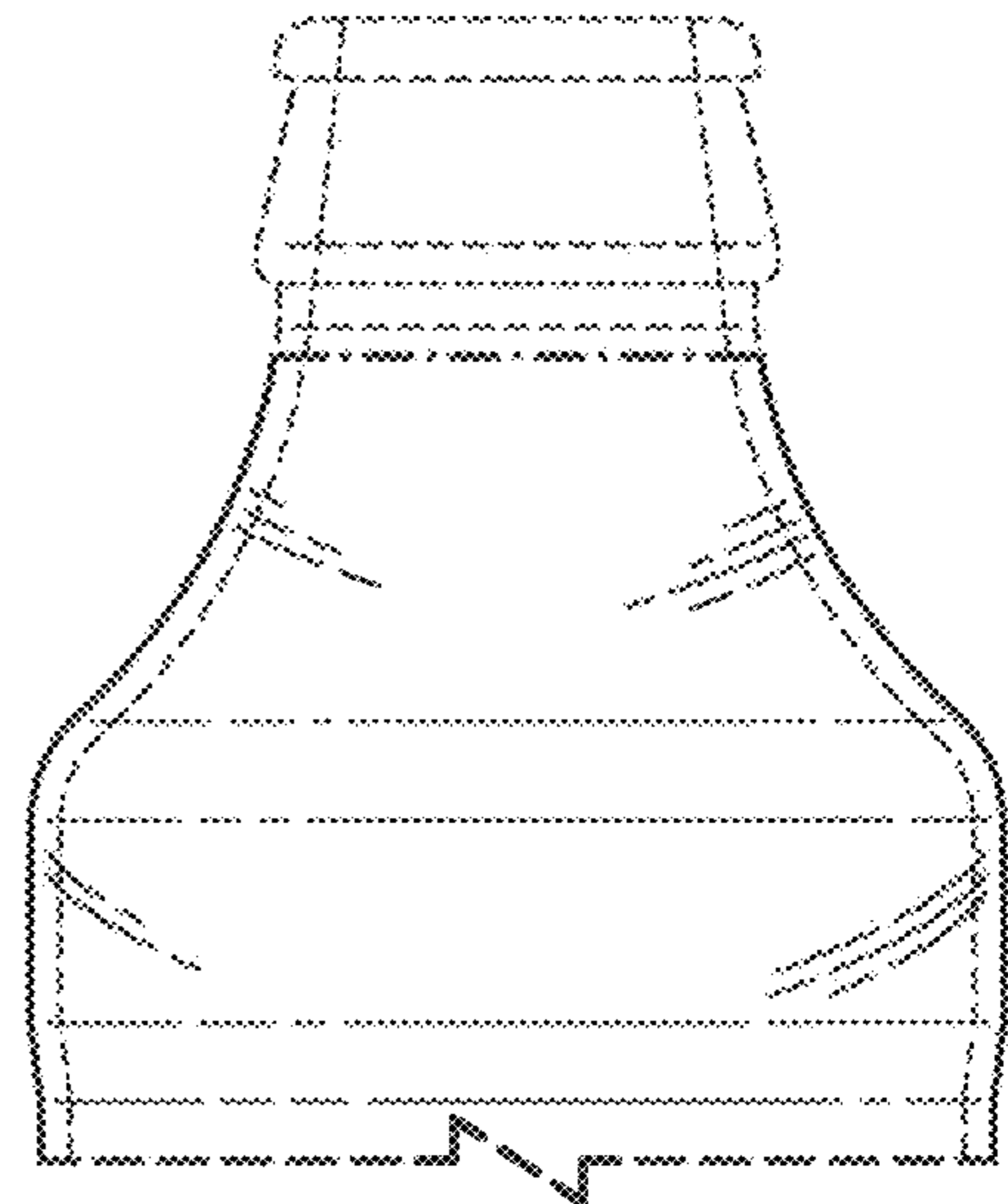
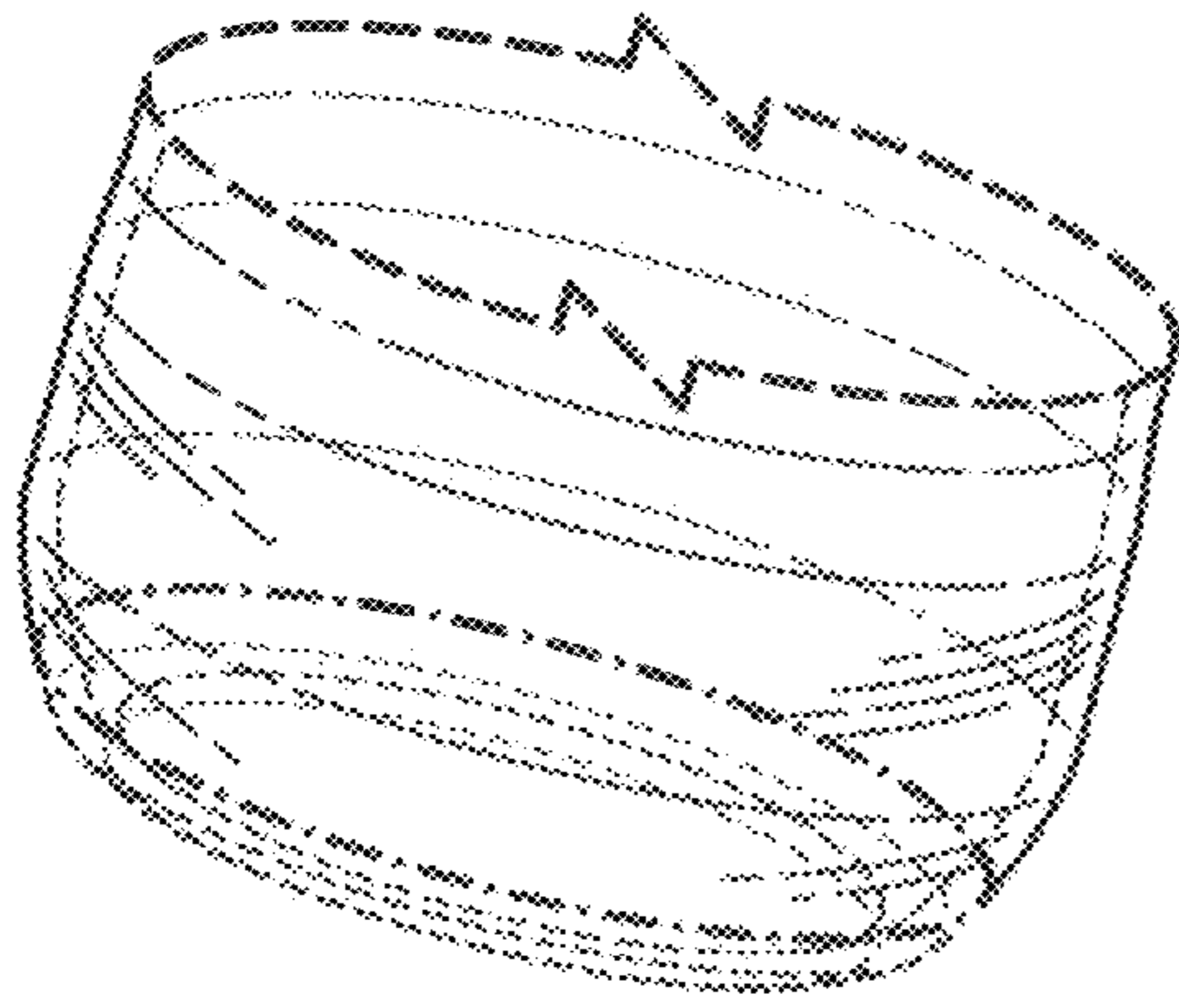
**FIG. 2**



**FIG. 5**



**FIG. 7**



**FIG. 8**

**FIG. 6**

