



US00D889264S

(12) **United States Design Patent**
Cartis et al.

(10) **Patent No.:** **US D889,264 S**
(45) **Date of Patent:** **** Jul. 7, 2020**

(54) **BOTTLE**
(71) Applicant: **PepsiCo, Inc.**, Purchase, NY (US)
(72) Inventors: **Emilian D. Cartis**, London (GB);
William R. Eaton, Southbury, CT
(US); **Niklas Gustafsson**, New York,
NY (US); **Kamal Mahajan**, Tarrytown,
NY (US); **Charles White**, Parsippany,
NJ (US)

D547,667 S 7/2007 DeMaso et al.
D571,214 S 6/2008 Caszatt
D584,947 S 1/2009 Bourne
D590,267 S 4/2009 Oommen et al.
D603,268 S 11/2009 Bourne
(Continued)

FOREIGN PATENT DOCUMENTS

CN 301830134 2/2012
CN 302173511 11/2012
(Continued)

(73) Assignee: **PepsiCo, Inc.**, Purchase, NY (US)

(**) Term: **15 Years**

(21) Appl. No.: **29/664,761**

(22) Filed: **Sep. 27, 2018**

OTHER PUBLICATIONS

Photograph of “Verday Chlorophyll Water” and “Pineapple Fat Water” bottles, believed taken Apr. 17, 2017.
(Continued)

Primary Examiner — Dana Meyrow
(74) *Attorney, Agent, or Firm* — Sterne, Kessler,
Goldstein & Fox P.L.L.C.

Related U.S. Application Data

(63) Continuation of application No. 29/601,442, filed on
Apr. 21, 2017, now Pat. No. Des. 829,556.

(51) **LOC (12) Cl.** **09-01**

(52) **U.S. Cl.**
USPC **D9/500; D9/502**

(58) **Field of Classification Search**

USPC D9/434, 500, 502–505, 516, 530, 537,
D9/539, 545, 549, 557–558, 715, 719;
D7/509–511, 523
CPC B65D 1/00; B65D 1/02; B65D 1/0223;
B65D 23/00; B65D 81/00; B65D
2501/00; B65D 2501/0009

See application file for complete search history.

(57)

CLAIM

The ornamental design for a bottle, as shown and described.

DESCRIPTION

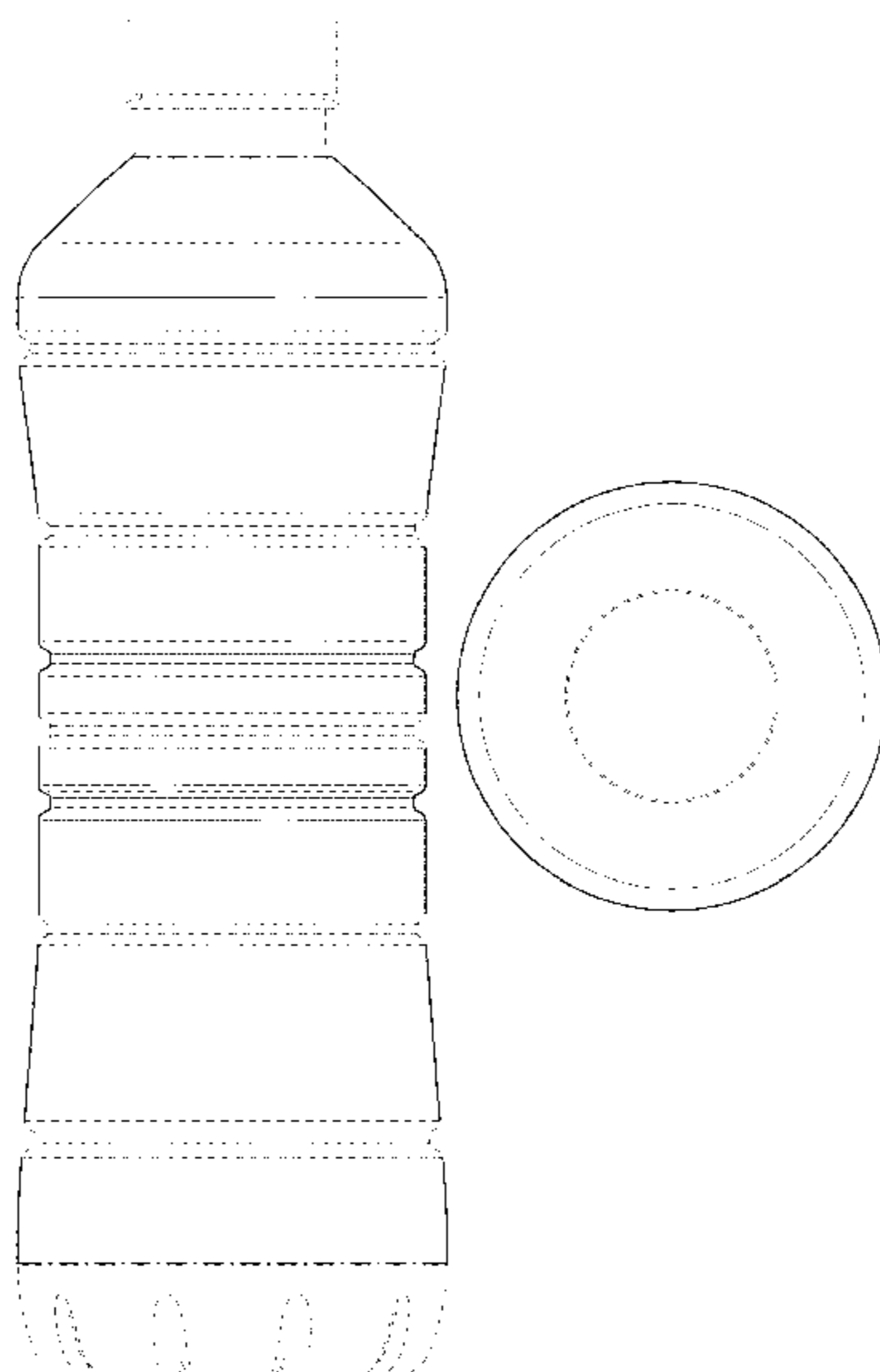
FIG. 1 is a top perspective view of a bottle showing the
claimed design;
FIG. 2 is a bottom perspective view thereof;
FIG. 3 is a front view thereof;
FIG. 4 is a rear view thereof;
FIG. 5 is a left side view thereof;
FIG. 6 is a right side view thereof;
FIG. 7 is a top view thereof; and,
FIG. 8 is a bottom view thereof.
The dashed broken lines in the figures show portions of the
bottle that form no part of the claimed design.
The dot-dash broken lines in the figures show boundaries
that form no part of the claimed design.

(56) **References Cited**

U.S. PATENT DOCUMENTS

D452,440 S 12/2001 Bezek et al.
D504,069 S 4/2005 Gross et al.
D506,931 S 7/2005 Delmotte
D545,194 S 6/2007 Goudsblom

1 Claim, 7 Drawing Sheets



(56)

References Cited

FOREIGN PATENT DOCUMENTS

U.S. PATENT DOCUMENTS

D605,518 S 12/2009 Desjardins
 D608,203 S 1/2010 Yourist
 D611,838 S 3/2010 Metzger et al.
 D613,166 S 4/2010 Bentley
 D613,167 S 4/2010 Stoffers et al.
 D615,403 S 5/2010 Goetz
 D622,605 S 8/2010 Perez et al.
 D623,067 S 9/2010 Lovelace, Jr. et al.
 D633,793 S 3/2011 Reagan et al.
 D635,461 S 4/2011 Inoi et al.
 D637,909 S 5/2011 Fleischhacker et al.
 D641,244 S 7/2011 Bysick et al.
 D642,471 S 8/2011 White et al.
 D642,922 S 8/2011 Kuzma et al.
 D645,351 S 9/2011 McMillan et al.
 D652,732 S 1/2012 Oommen et al.
 D652,733 S 1/2012 Oommen et al.
 D653,951 S * 2/2012 Scott D9/502
 D664,437 S 7/2012 Barel
 D664,438 S 7/2012 Barel
 D667,306 S 9/2012 Verea
 D671,007 S 11/2012 Lovelace, Jr. et al.
 D671,413 S 11/2012 Yourist
 D682,700 S 5/2013 White et al.
 D689,375 S 9/2013 Garner
 D698,656 S 2/2014 Fleischhacker et al.
 D699,114 S 2/2014 Fleischhacker et al.
 D700,517 S 3/2014 Oommen et al.
 D703,048 S * 4/2014 Lopez D9/500
 D703,049 S * 4/2014 Riley D9/500
 D703,538 S * 4/2014 Paredes D9/500
 D709,377 S 7/2014 Kondo
 D726,539 S 4/2015 Paredes et al.
 D739,758 S 9/2015 Kissinger et al.
 D740,663 S 10/2015 Zeboudj
 D742,238 S 11/2015 Llewellyn et al.
 D744,835 S 12/2015 Warner et al.
 D746,685 S 1/2016 Foley
 D746,686 S 1/2016 Yourist
 D746,687 S 1/2016 Yourist
 D746,688 S 1/2016 Yourist
 D747,209 S 1/2016 Barel
 D755,049 S 5/2016 Clark et al.
 D755,636 S 5/2016 Hanan
 D763,090 S 8/2016 Zeng et al.
 D805,902 S * 12/2017 Warner D9/502
 D805,903 S * 12/2017 Warner D9/502
 D829,556 S * 10/2018 Cartis D9/537
 D830,181 S * 10/2018 Druart D9/537
 D874,934 S * 2/2020 Yourist D9/502

CN 302854863 6/2014
 CN 302907297 8/2014
 CN 303017692 12/2014
 CN 303393352 9/2015
 CN 303450158 11/2015
 EM 000144373-0001 6/2004
 EM 000144373-0002 6/2004
 EM 000181128-0001 8/2004
 EM 000181128-0002 8/2004
 EM 000181128-0003 8/2004
 EM 000283718-0002 3/2005
 EM 000283718-0003 3/2005
 EM 000526744-0001 6/2006
 EM 000526744-0003 6/2006
 EM 000526744-0004 6/2006
 EM 000546213-0001 7/2006
 EM 000546213-0003 7/2006
 EM 000554860-0008 8/2006
 EM 000479787-0002 3/2007
 EM 001038590-0001 11/2008
 EM 001595687-0001 8/2009
 EM 001999491-0002 3/2012
 EM 001999491-0003 3/2012
 EM 002430256-0002 3/2014
 EM 002430256-0003 3/2014
 EM 002430256-0004 3/2014
 EM 002430256-0005 3/2014
 EM 002473611-0001 7/2014
 EM 002614214-0001 1/2015
 EM 002614214-0002 1/2015
 EM 002614214-0003 1/2015
 EM 002614214-0004 1/2015
 EM 002614214-0005 1/2015
 EM 002639393-0003 2/2015
 EM 002696179-0001 5/2015
 EM 002731307-0001 9/2015
 EM 003474832-0001 11/2016
 EM 003728575-0001 2/2017
 EM 003771898-0001 3/2017
 EM 003792803-0001 3/2017
 JP D1487454 1/2014
 WO WO D071995-001 7/2009

OTHER PUBLICATIONS

Digital Image of ViO BiO LiMO Bottle, believed available on May 24, 2017.
 “Braklanserer Farris & Juice,” FastFood, believed available on May 24, 2017.
 “Fairlife Core Power High Protein Milk Shake,” announced Mar. 2012, [online], site visited Apr. 26, 2018. Available from Internet, URL: <http://www.amazon.com> (Year: 2012).

* cited by examiner

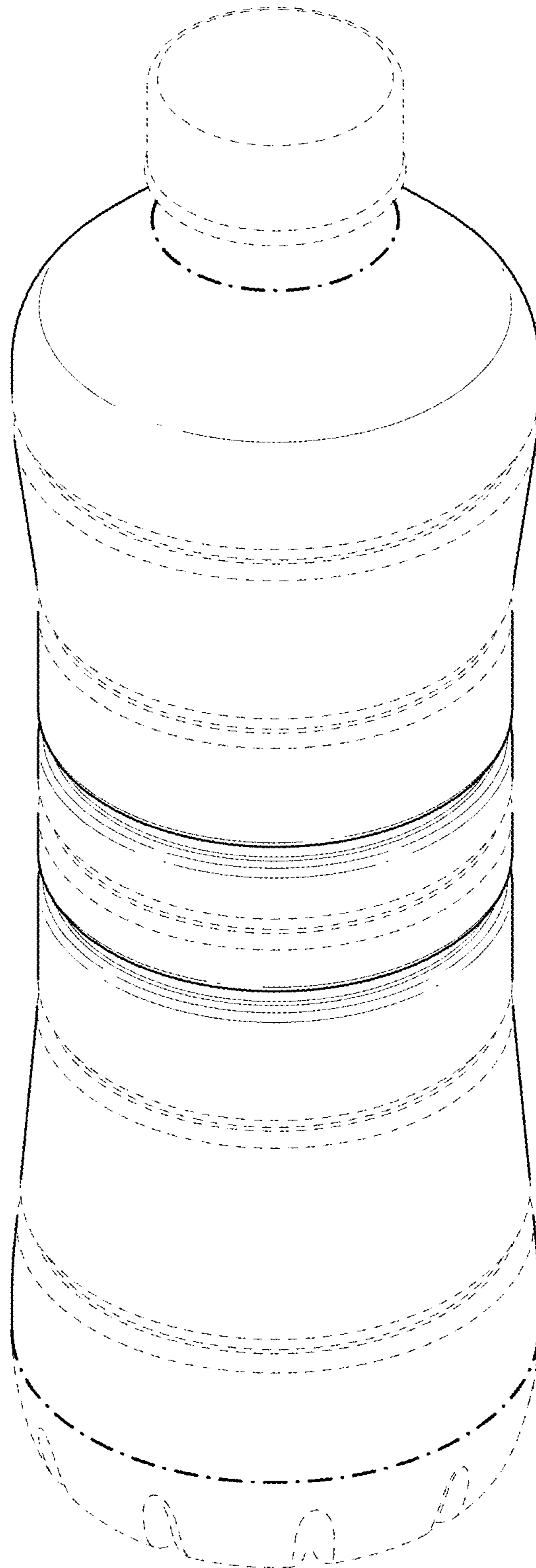


FIG. 1

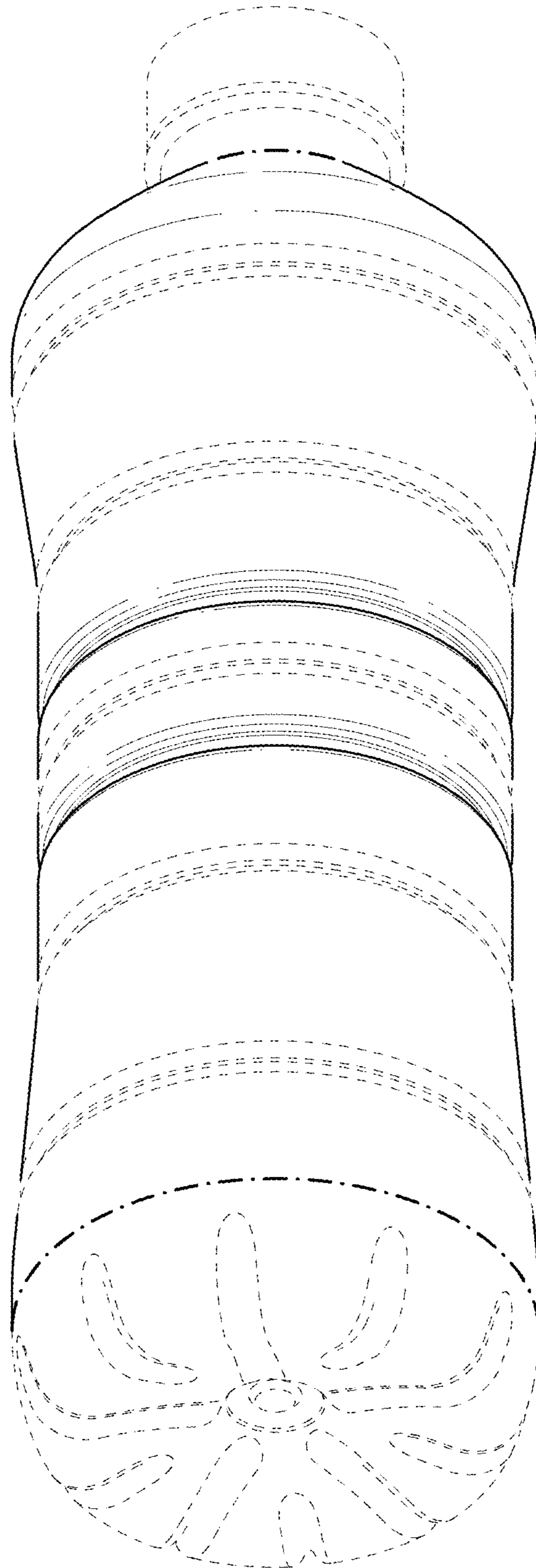


FIG. 2

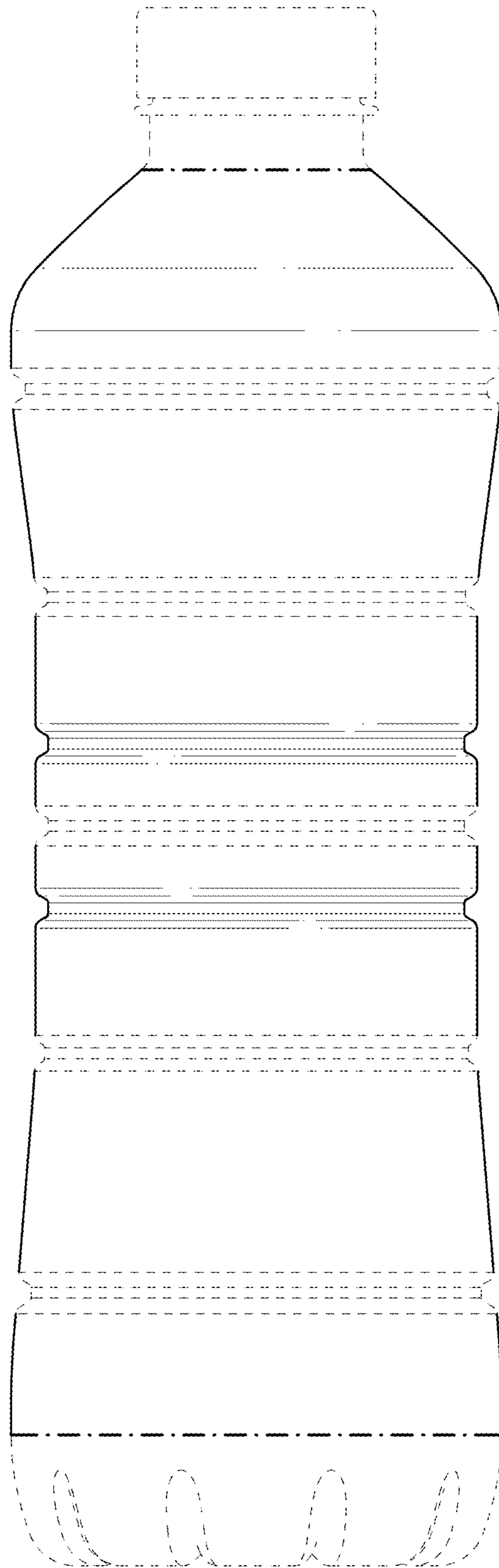


FIG. 3

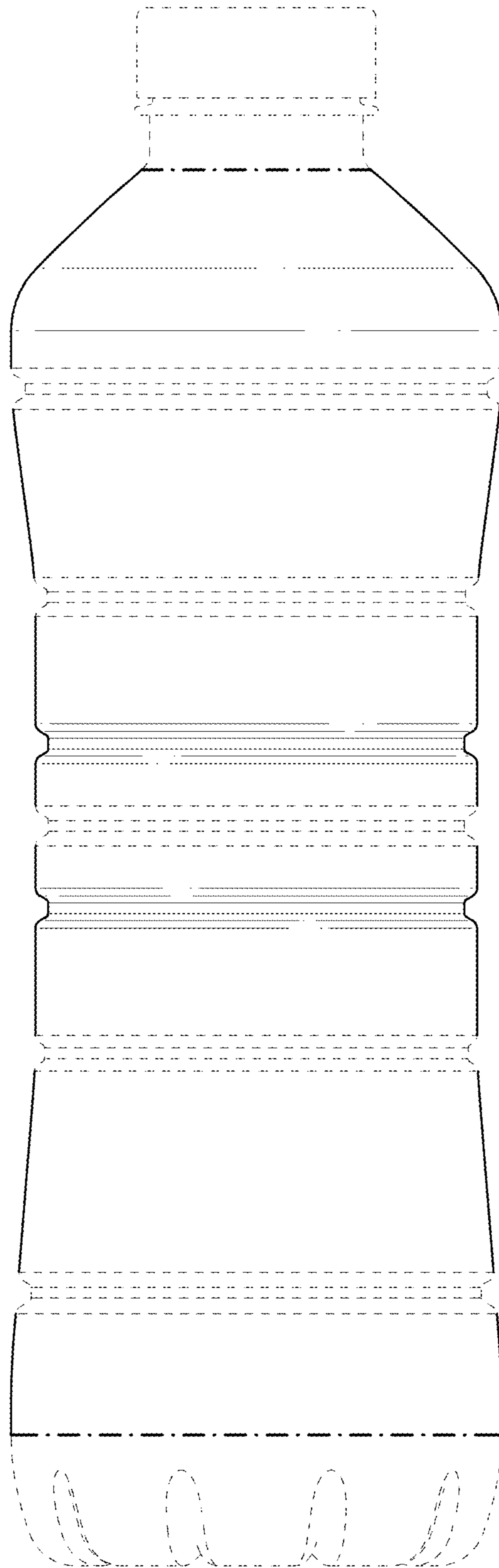


FIG. 4

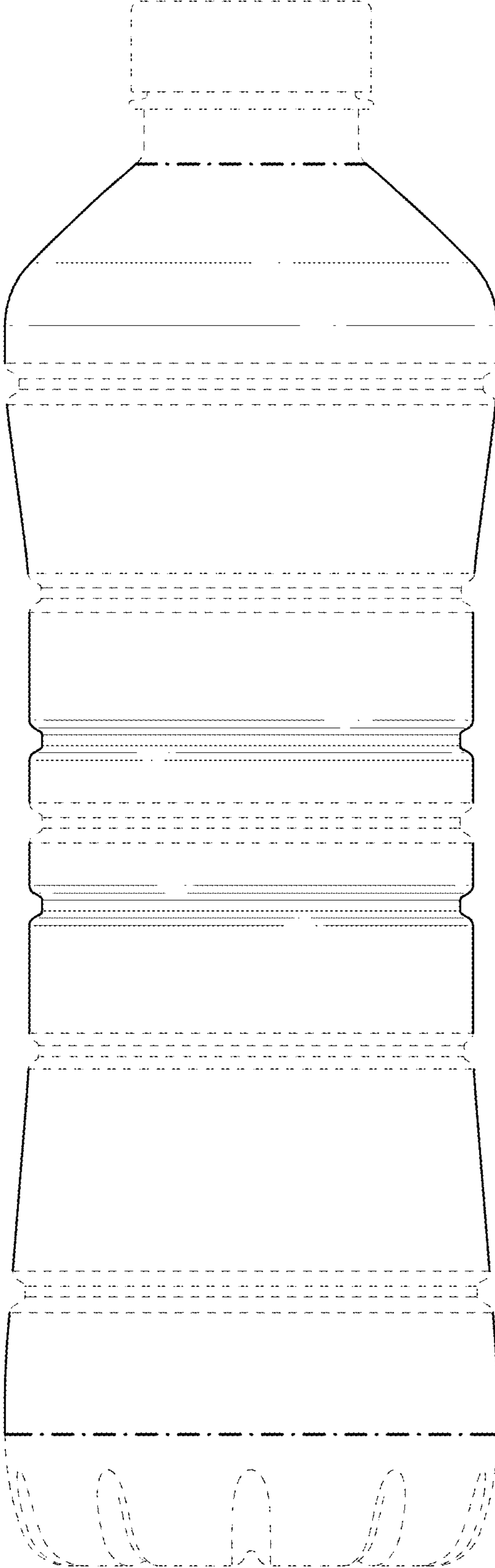


FIG. 5

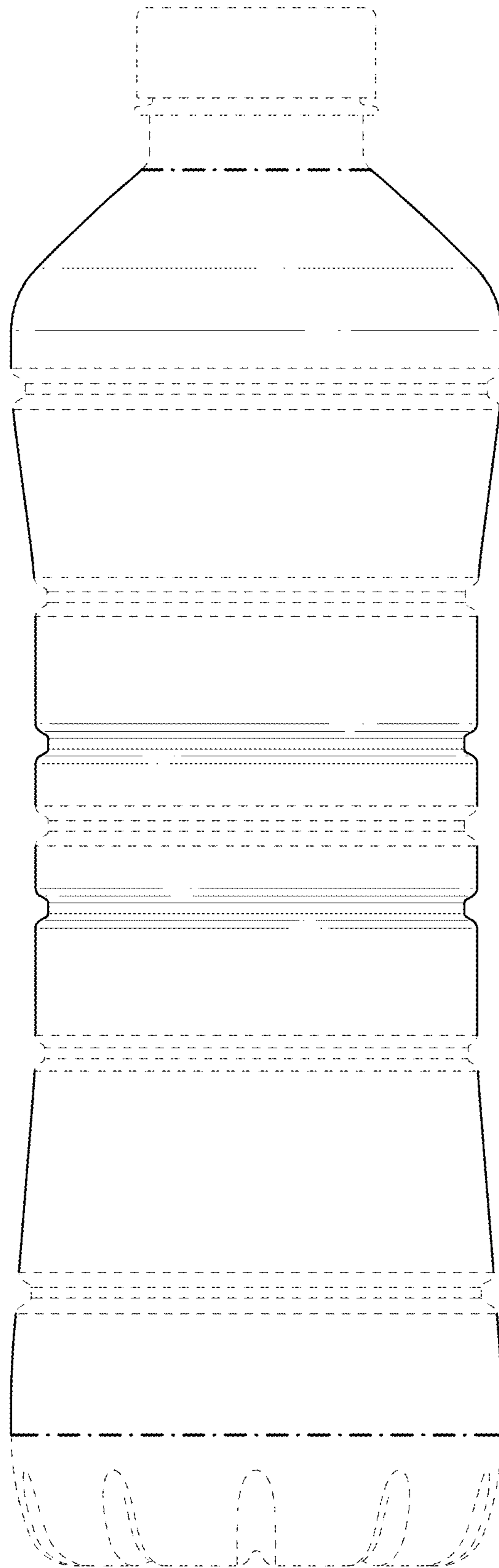


FIG. 6

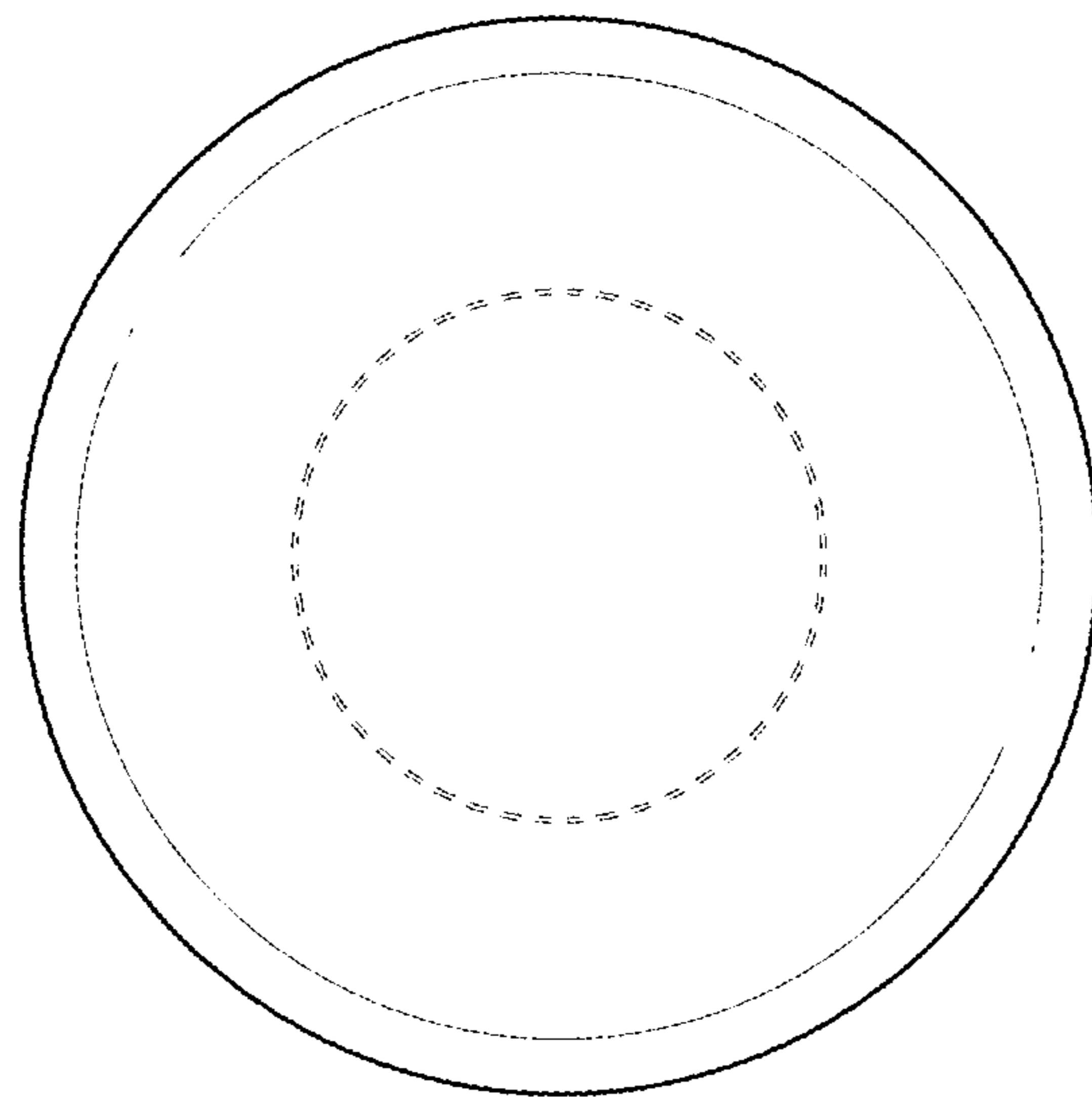


FIG. 7

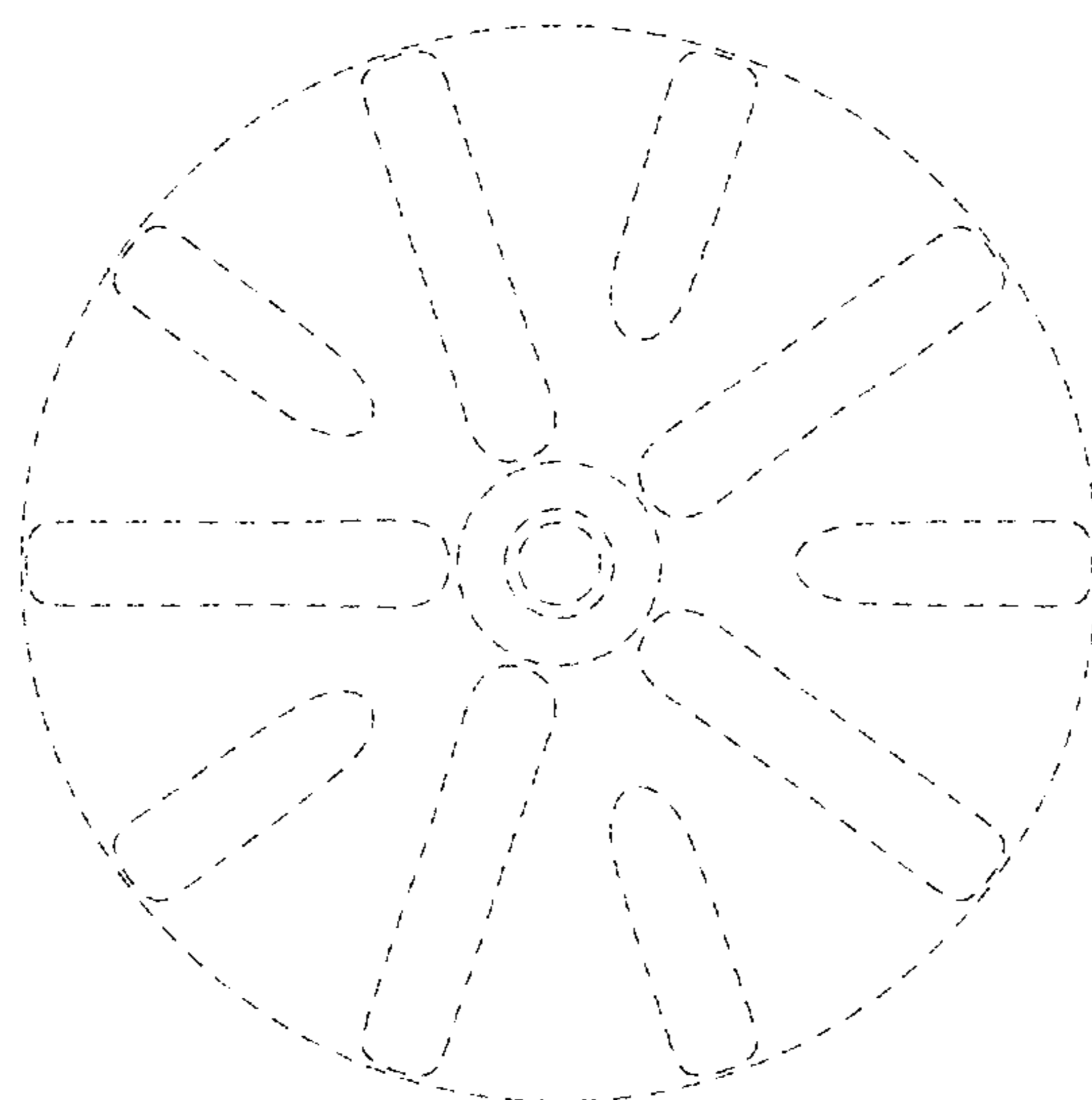


FIG. 8