



US00D889263S

(12) **United States Design Patent**
Scharf

(10) **Patent No.:** **US D889,263 S**

(45) **Date of Patent:** **** Jul. 7, 2020**

(54) **TAMPER EVIDENT BOTTLE CAP**

3/0479; B01F 3/0446; B01F 13/002;
A47G 19/26; A47G 19/2266; A47G
19/2205;

(71) Applicant: **KOWABUNGA PATENT &
TRADEMARK 1 LLC**, New York, NY
(US)

(Continued)

(72) Inventor: **Paul Alan Scharf**, New York, NY (US)

(56)

References Cited

(73) Assignee: **KOWABUNGA PATENT &
TRADEMARK 1 LLC**, New York, NY
(US)

U.S. PATENT DOCUMENTS

D83,901 S * 4/1931 Huffman D9/453
D98,626 S * 2/1936 Smith D9/453

(Continued)

(**) Term: **15 Years**

FOREIGN PATENT DOCUMENTS

(21) Appl. No.: **29/686,607**

CN 305593171 * 2/2020

(22) Filed: **Apr. 5, 2019**

Primary Examiner — Catherine S Posthauer

(51) **LOC (12) Cl.** **09-07**

(74) *Attorney, Agent, or Firm* — Collard & Roe, P.C.

(52) **U.S. Cl.**

(57)

CLAIM

USPC **D9/452**

(58) **Field of Classification Search**

The ornamental design for a tamper evident bottle cap, as shown and described.

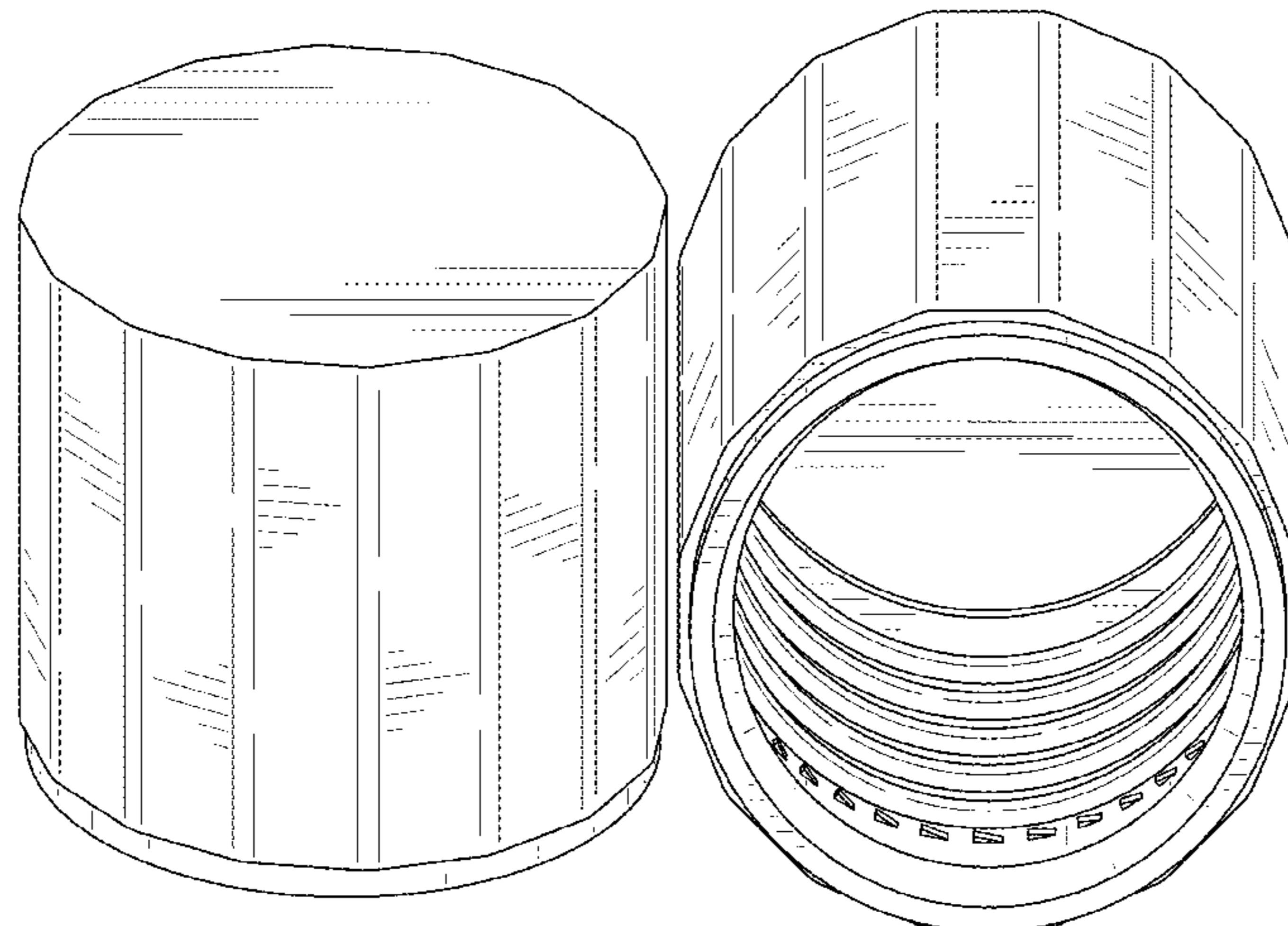
USPC D6/512, 515, 542, 543; D7/509, 510,
D7/511, 300, 312, 313, 619.1, 387, 391,
D7/392, 392.1, 393, 396.1, 396.2, 397,
D7/398, 900; D9/434, 435, 439, 440,
D9/443, 444, 445, 447, 448, 449, 450,
D9/452, 453, 454, 682, 685, 686, 688,
D9/689, 690, 707, 708, 723, 724;
D23/206, 213, 214, 226, 227, 249, 259,
D23/260, 261; D24/112, 113, 127, 162,
D24/193, 197, 199; D28/4, 76, 77, 84,
D28/85, 91.1

DESCRIPTION

CPC ... B65D 1/00; B65D 1/02; B65D 1/10; B65D
1/46; B65D 2585/56; B65D 2585/545;
B65D 47/00; B65D 47/06; B65D 47/08;
B65D 5/46; B65D 41/00; B65D 41/34;
B65D 41/0471; B65D 41/122; B65D
41/3438; B65D 41/3428; B65D 53/02;
B65D 23/04; B65D 41/0414; B65D
41/0485; B65D 59/06; B65D 81/3211;
B65D 81/325; B65D 81/3205; B65D
83/753; B65D 83/68; B65D 83/752; B01F

FIG. 1 is a top perspective view of a tamper evident bottle cap, showing my new design;
FIG. 2 is a front elevational view thereof;
FIG. 3 is a rear elevational view thereof;
FIG. 4 is a top view thereof;
FIG. 5 is a bottom view thereof;
FIG. 6 is a front bottom perspective view thereof;
FIG. 7 is a rear bottom perspective view thereof;
FIG. 8 is a front elevational view thereof, shown in a position of use with an exemplary bottle;
FIG. 9 is a top perspective view thereof with a ring portion of the tamper evident bottle cap separated and retained on the bottle; and,
FIG. 10 is a front bottom perspective view thereof, with the exemplary bottle removed, showing the ring as separated from the cap.

(Continued)



The broken lines are shown for the purpose of illustrating environmental subject matter of an exemplary bottle and form no part of the claim.

1 Claim, 8 Drawing Sheets

(58) Field of Classification Search

CPC A47G 19/2272; B65F 1/14; A47J 27/04;
 A47J 27/004; A47J 36/24; A47J 36/2411;
 A47J 36/2416; A47J 36/2433; A47J
 39/00; A47J 39/006; A47J 36/2438; A45D
 34/005; A45D 34/04; A45D 34/02; A45D
 34/06; A45D 2200/051; A45D 2200/05;
 A45D 2200/052

See application file for complete search history.

(56) References Cited

U.S. PATENT DOCUMENTS

D152,625 S * 2/1949 Kronman D9/453
 D184,083 S * 12/1958 Crabbell D9/453

4,635,806 A * 1/1987 Williamson B65D 50/041
 215/220
 D311,072 S * 10/1990 Martinoni D28/84
 D314,250 S * 1/1991 Bakic D28/84
 D442,089 S * 5/2001 Sadeghi D9/452
 D465,731 S * 11/2002 Brant D9/453
 D534,802 S * 1/2007 German D9/453
 D542,134 S * 5/2007 Chadfield D9/445
 D574,462 S * 8/2008 Huang D23/213
 D578,889 S * 10/2008 Sadiq D9/453
 D584,149 S * 1/2009 Lohrman D9/453
 D615,864 S * 5/2010 Fuchs D9/453
 D660,694 S * 5/2012 Mongeon D9/445
 D673,852 S * 1/2013 Wood D9/453
 D688,128 S * 8/2013 Krause B65D 55/0854
 D9/453
 D762,115 S * 7/2016 Corvaglia D9/443
 D824,257 S * 7/2018 Wood D9/453
 D836,439 S * 12/2018 Tran D9/453
 D838,171 S * 1/2019 Wood D9/453
 D863,963 S * 10/2019 Berroa Garcia D9/453

* cited by examiner

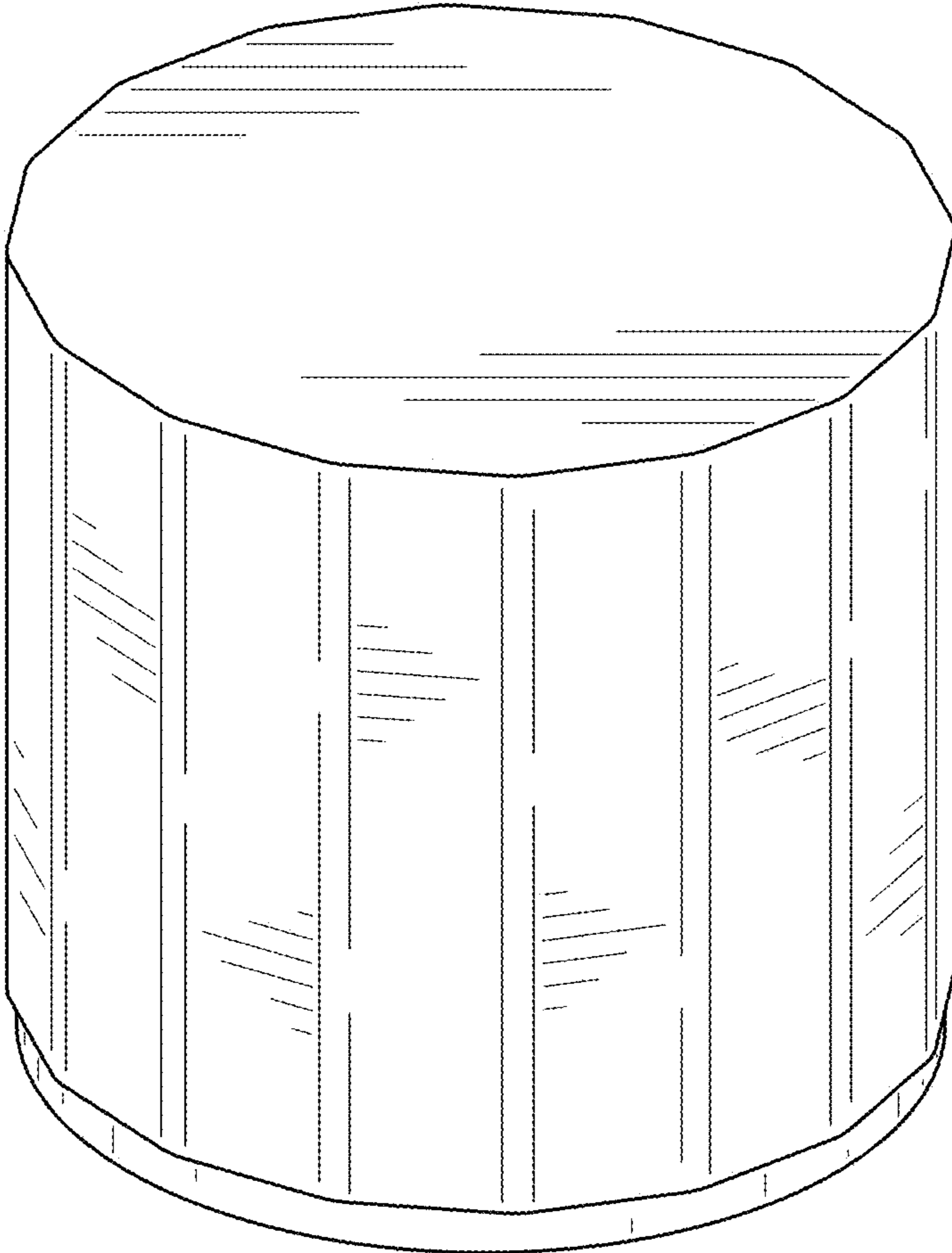


FIG. 1

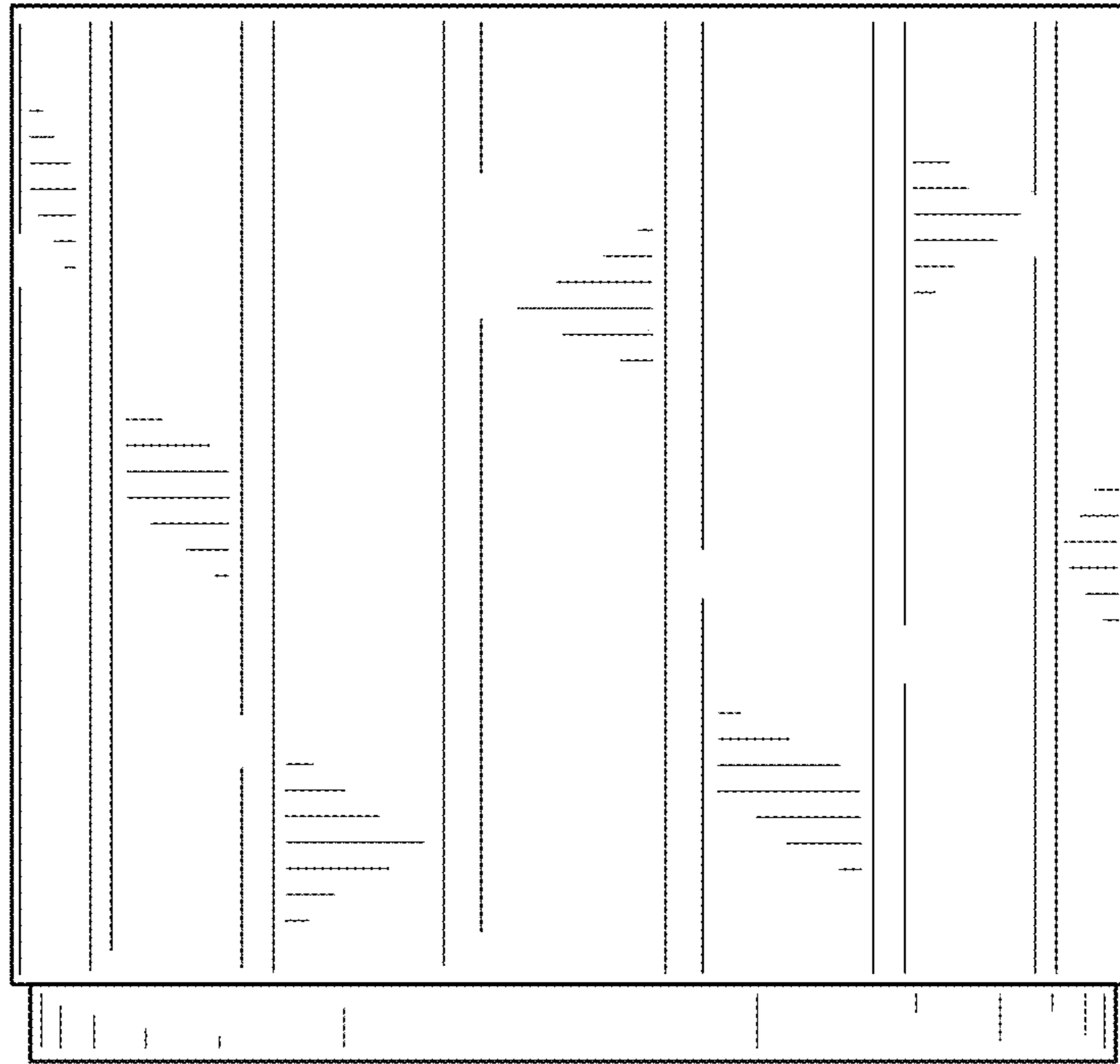


FIG. 2

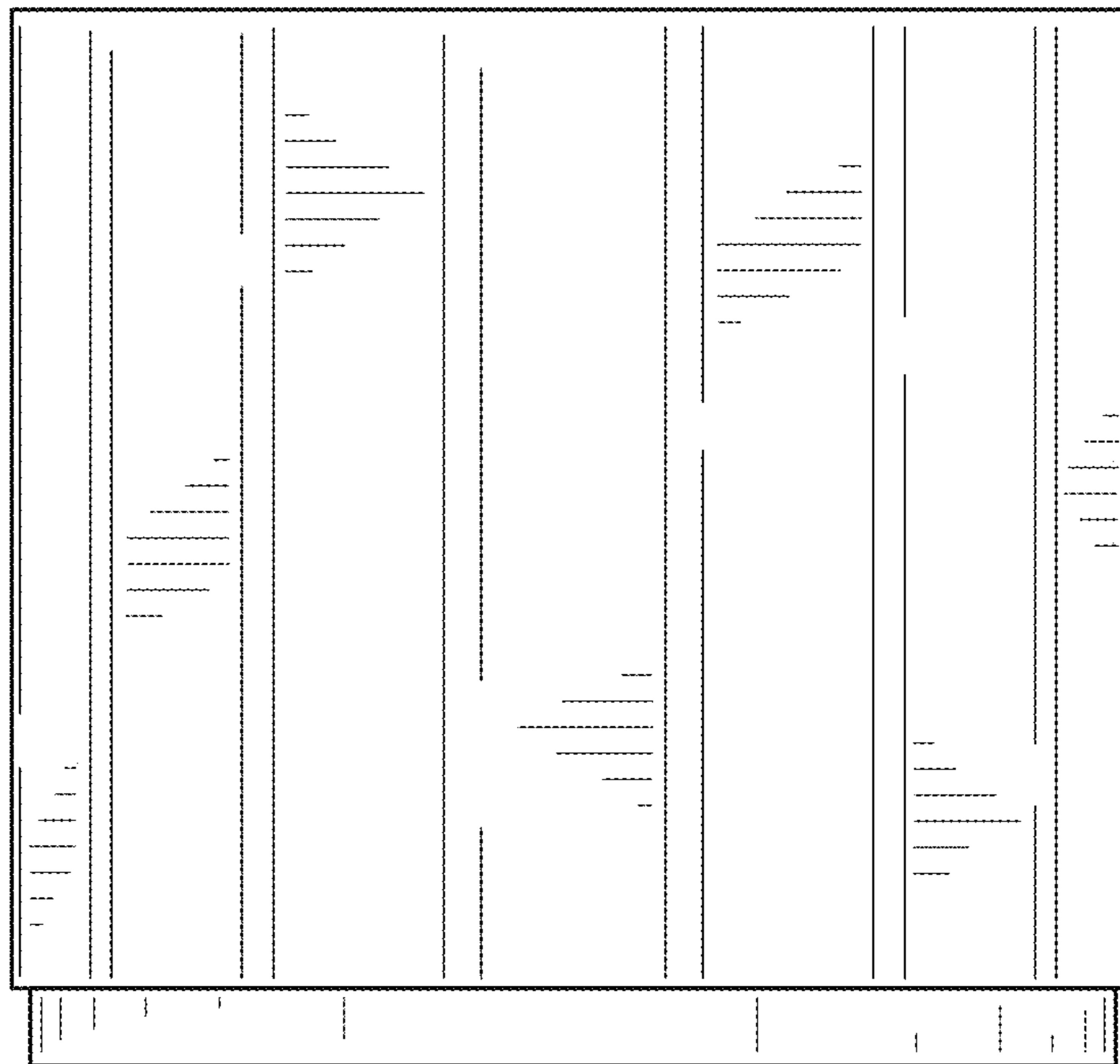


FIG. 3

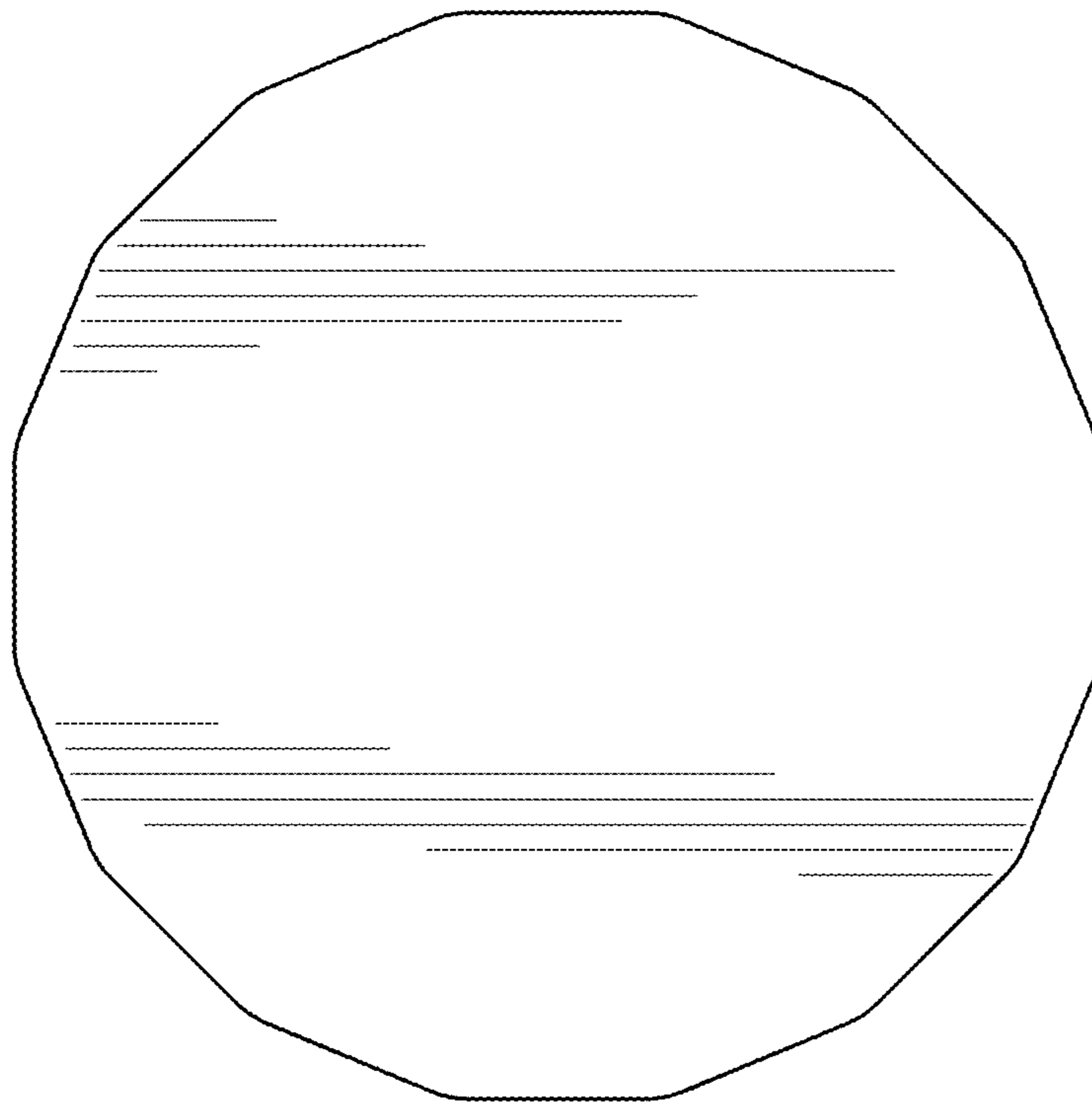


FIG. 4

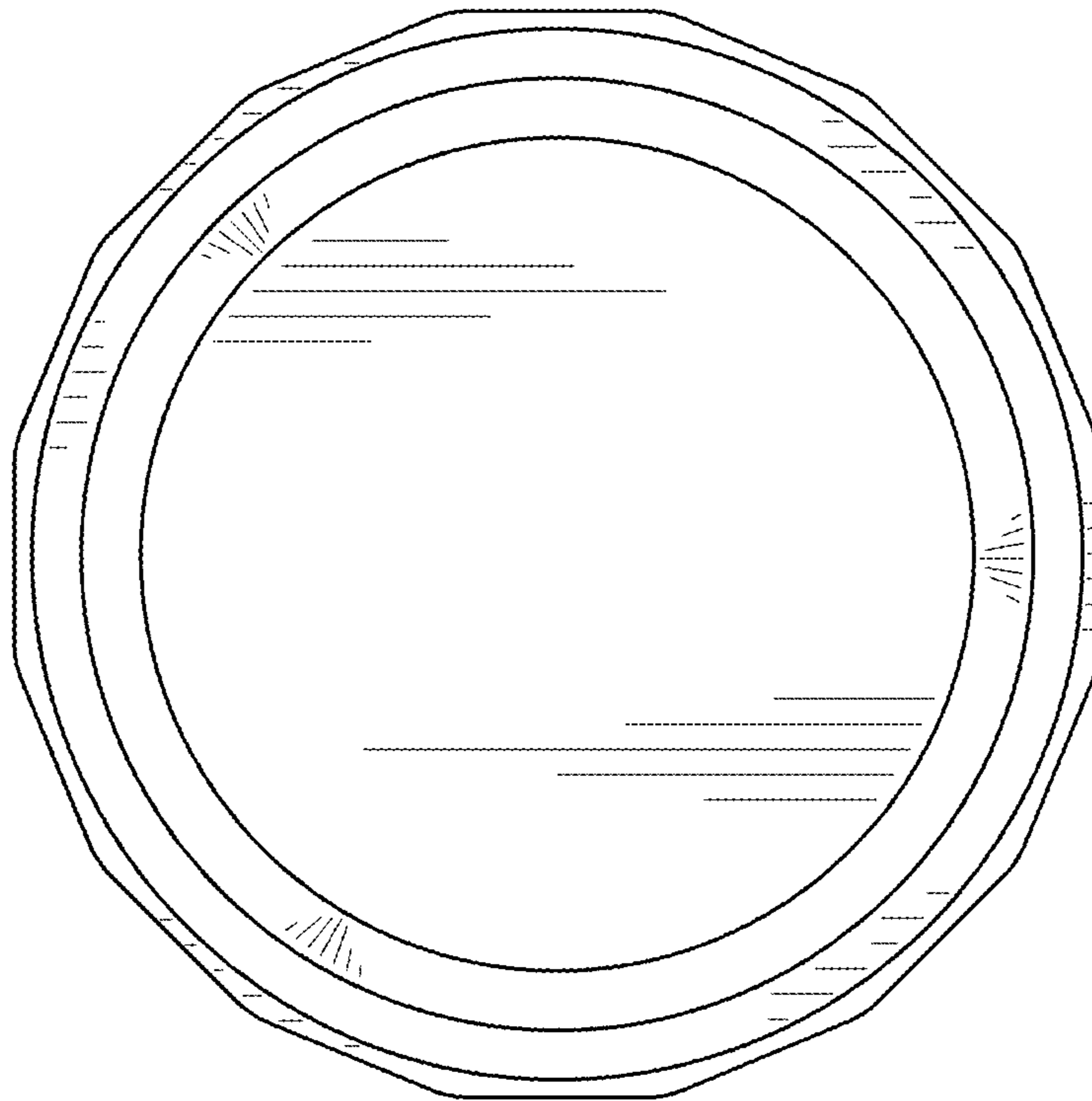


FIG. 5

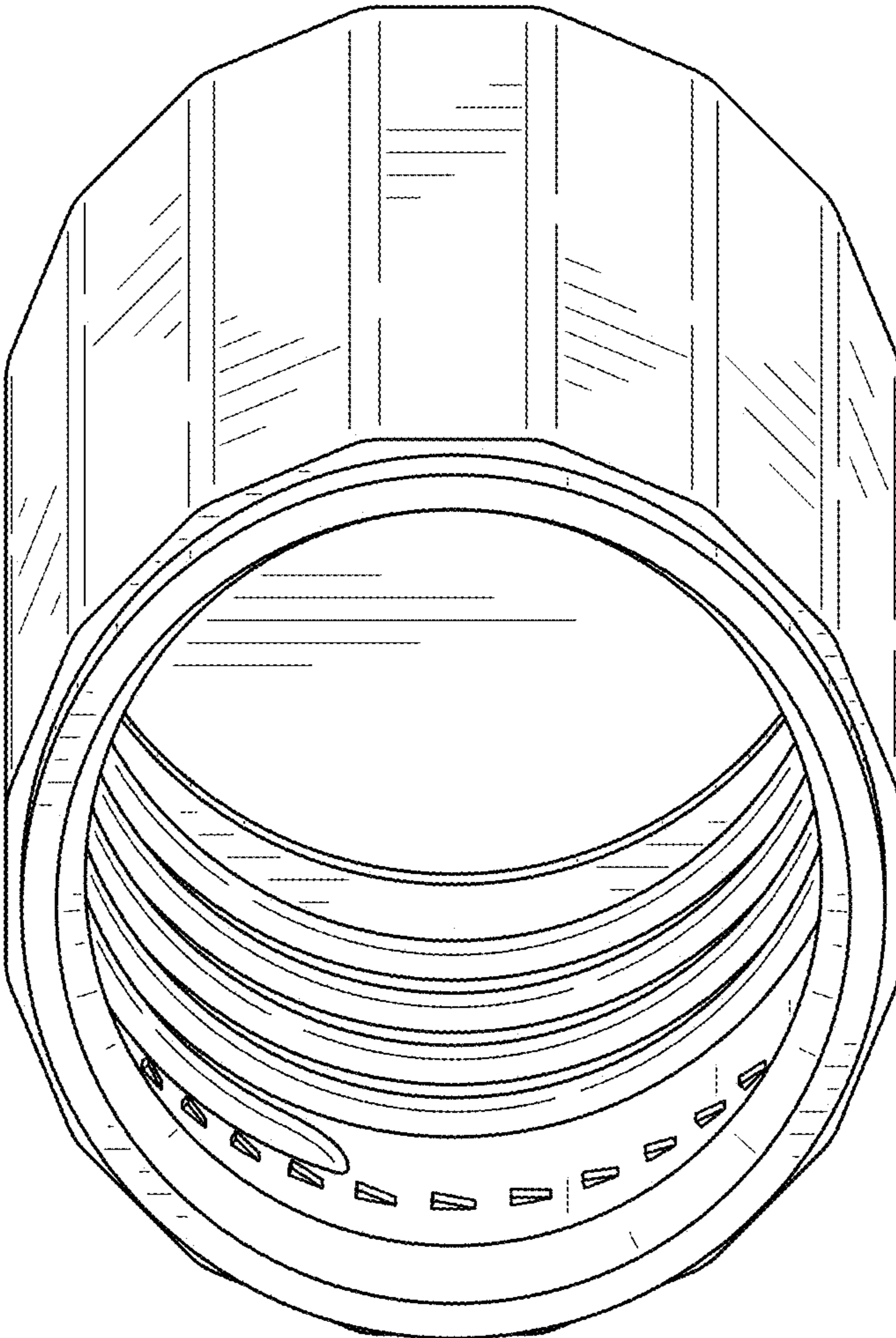


FIG. 6

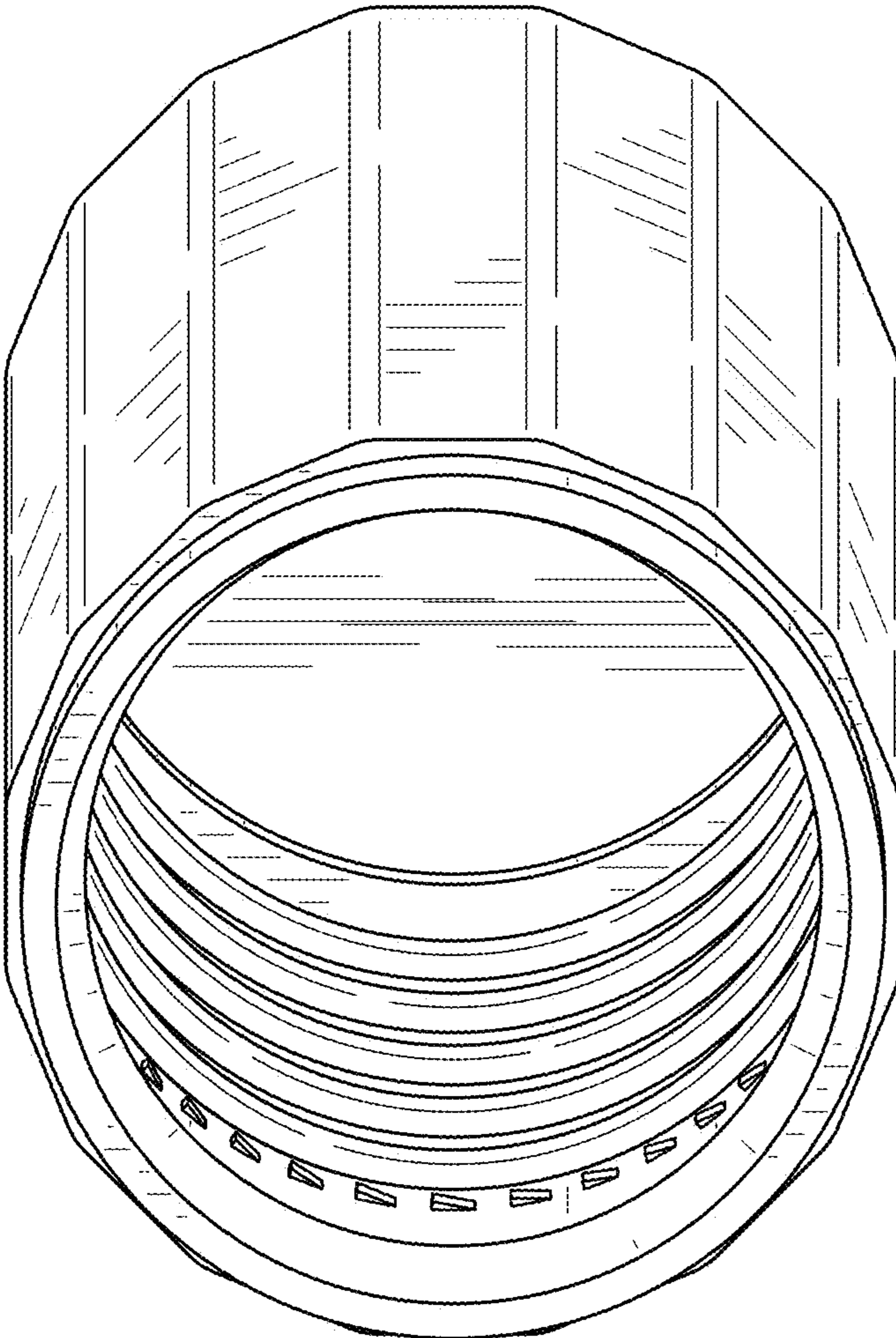


FIG. 7

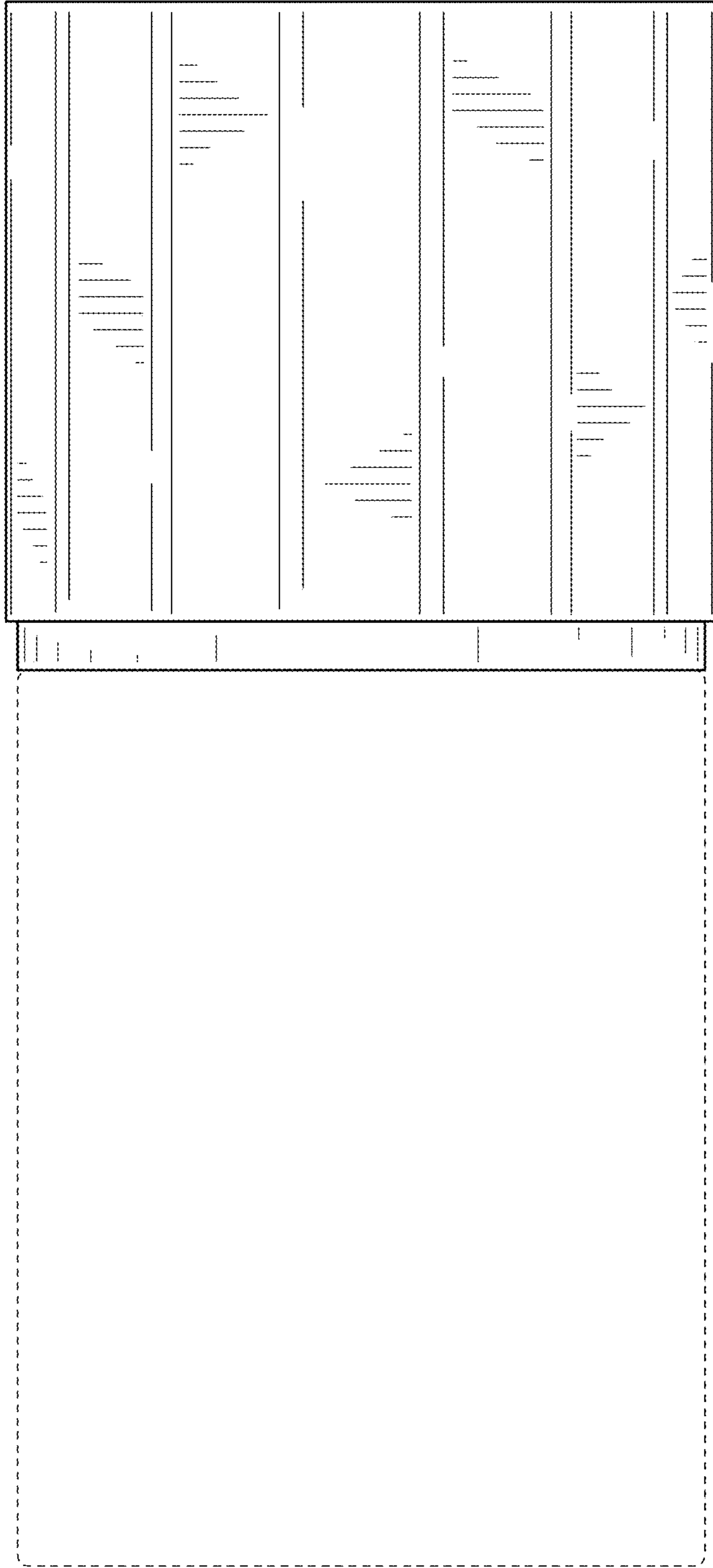


FIG. 8

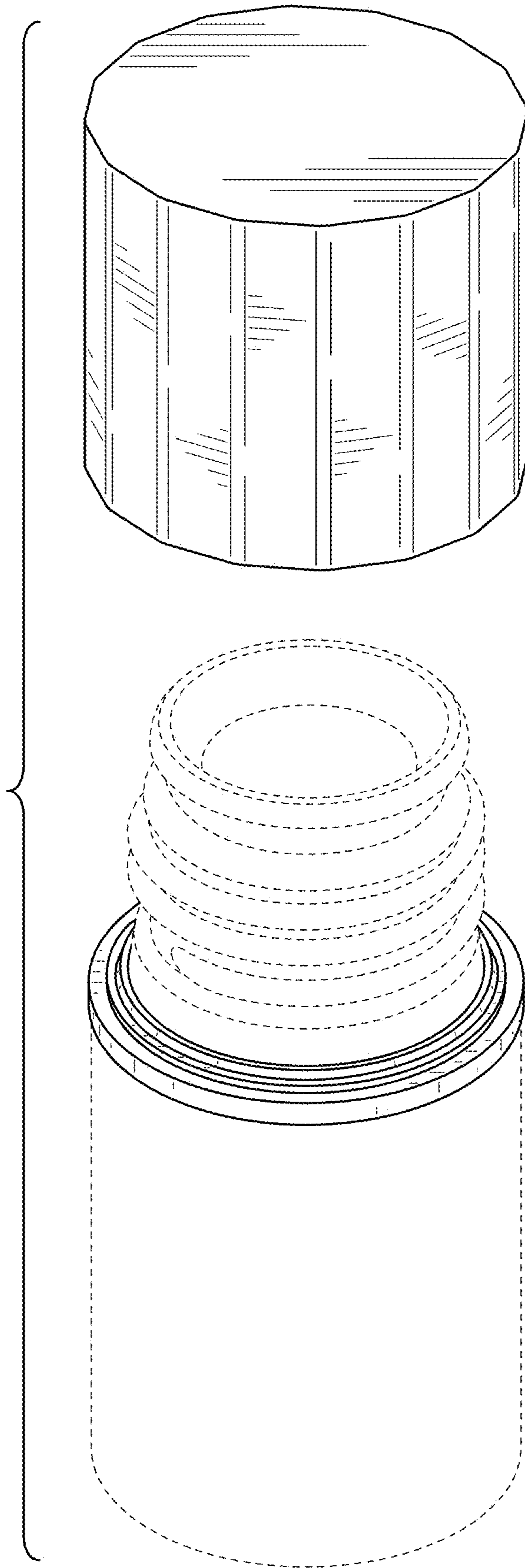


FIG. 9

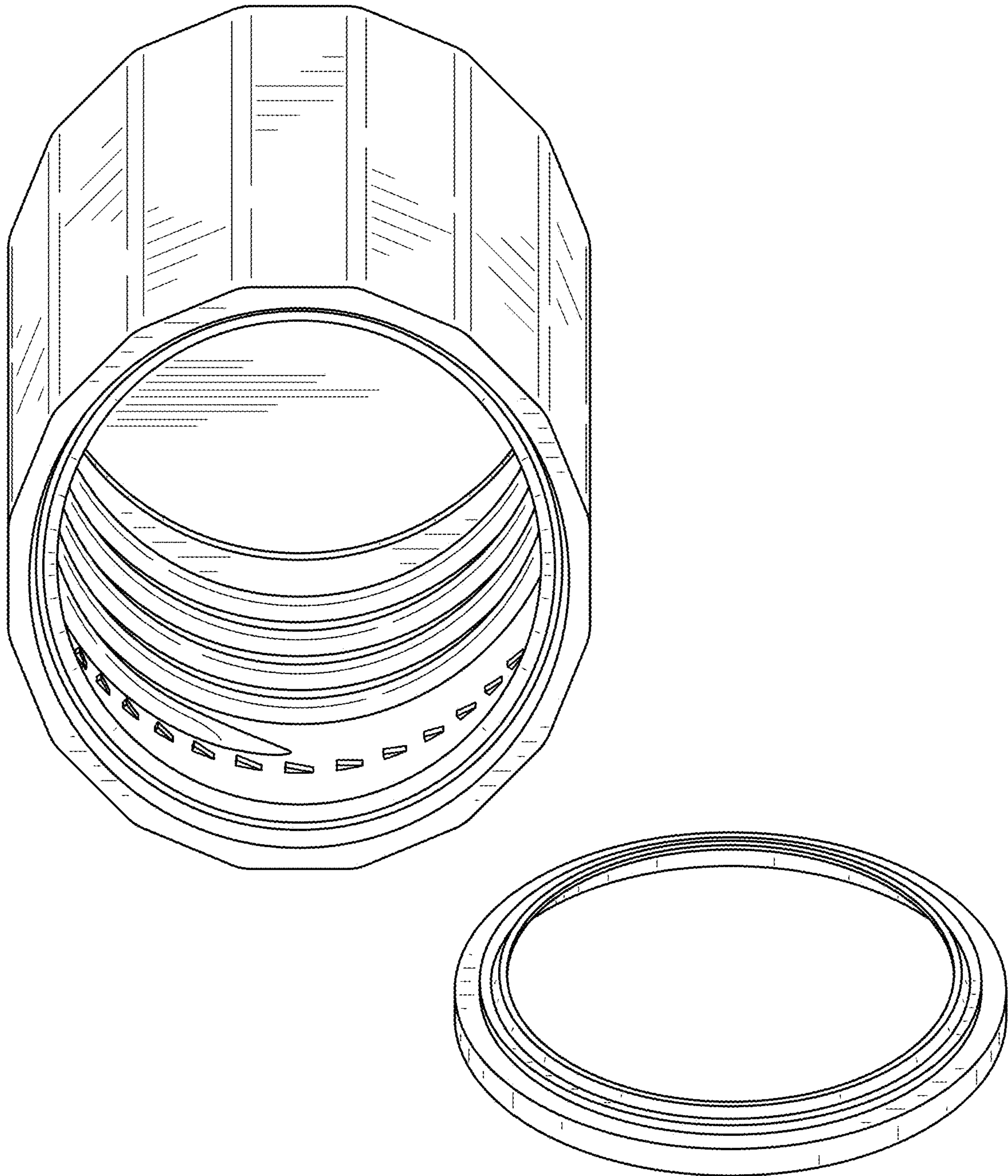


FIG. 10