



US00D889254S

(12) **United States Design Patent**
Copete Vilella

(10) **Patent No.:** **US D889,254 S**
(45) **Date of Patent:** **** Jul. 7, 2020**

- (54) **PIPE CLAMP**
- (71) Applicants: **Ramon Ceravalls Pujol**, Castellar del Valles (ES); **Núria Lopez Puche**, Castellar del Valles (ES)
- (72) Inventor: **Angel Copete Vilella**, Castellar del Valles (ES)
- (73) Assignees: **Ramon Ceravalls Pujol**, Castellar del Valles (ES); **Núria Lopez Puche**, Castellar del Valles (ES)
- (**) Term: **15 Years**
- (21) Appl. No.: **29/666,940**
- (22) Filed: **Oct. 17, 2018**
- (51) **LOC (12) Cl.** **08-08**
- (52) **U.S. Cl.**
USPC **D8/394; D8/396**
- (58) **Field of Classification Search**
USPC D8/394–396, 72
CPC . D06F 55/00; A44D 2203/00; A61B 17/0664;
A61B 17/04; A61B 17/1265; A43D
79/00; A41B 3/08; A41F 15/02; A62F
2/0063
See application file for complete search history.

- 4,317,262 A * 3/1982 Wells, Jr. F16L 3/12
24/16 PB
- 4,372,011 A * 2/1983 Aranyos F16L 3/233
24/16 PB
- 4,502,186 A * 3/1985 Clarke F16L 33/035
24/16 PB
- 4,557,024 A * 12/1985 Roberts F16L 33/035
24/20 TT
- 4,623,102 A * 11/1986 Hough, Jr. F16L 3/1236
248/68.1
- 4,840,345 A * 6/1989 Neil F16L 3/12
24/16 PB
- D307,541 S * 5/1990 Tres D13/154
- 4,935,992 A * 6/1990 Due F16L 3/23
24/16 R
- D317,558 S * 6/1991 Daigle D8/354
- 5,024,405 A * 6/1991 McGuire F16B 7/0493
24/16 PB
- D319,298 S * 8/1991 Due D23/265

(Continued)

FOREIGN PATENT DOCUMENTS

ES 1196965 U 11/2017
Primary Examiner — John Windmuller
 (74) *Attorney, Agent, or Firm* — Ross T. Robinson

(57) **CLAIM**

The ornamental design for a pipe clamp, as shown and described.

DESCRIPTION

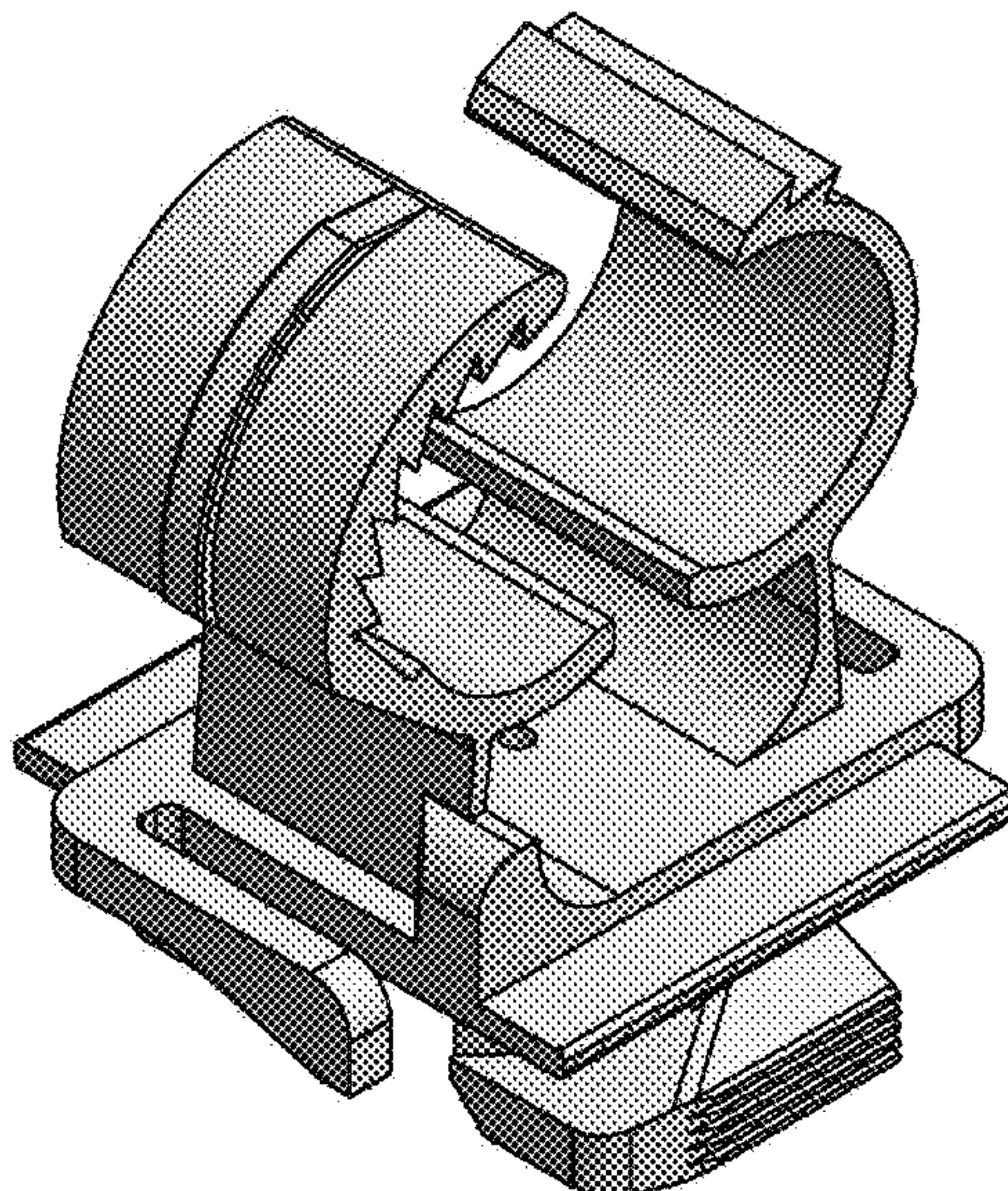
FIG. 1 is a front view of a pipe clamp in accordance with the design;
 FIG. 2 is a left-side view thereof;
 FIG. 3 is a right-side view thereof;
 FIG. 4 is a bottom view thereof;
 FIG. 5 is a top view thereof;
 FIG. 6 is a top-right perspective view thereof;
 FIG. 7 is a top-left perspective view thereof; and,
 FIG. 8 is a bottom-left perspective view thereof.

1 Claim, 8 Drawing Sheets

(56) **References Cited**

U.S. PATENT DOCUMENTS

- 2,881,762 A * 4/1959 Lowrie A61B 17/064
29/564
- 3,605,200 A * 9/1971 Vallinotto et al. F16L 3/12
24/20 TT
- 3,913,187 A * 10/1975 Okuda F16L 3/1075
24/484
- 3,925,851 A * 12/1975 Bevans B65D 63/1027
24/20 TT
- 3,954,238 A * 5/1976 Nivet F16L 3/1075
248/68.1



(56)

References Cited

U.S. PATENT DOCUMENTS

5,280,866	A *	1/1994	Ueki	F16L 3/233				
						248/74.2			
D344,672	S *	3/1994	Current	D8/373				
5,305,978	A *	4/1994	Current	F16L 3/1075				
						248/230.4			
5,367,750	A *	11/1994	Ward	F16L 3/12				
						24/16 PB			
5,423,501	A *	6/1995	Yu	A01G 17/08				
						248/61			
5,725,185	A *	3/1998	Auclair	F16L 3/12				
						248/73			
5,775,653	A *	7/1998	Horney	F16L 3/137				
						24/16 PB			
D408,230	S *	4/1999	Evans	D8/1				
D414,399	S *	9/1999	Nakamura	D8/356				
D418,725	S *	1/2000	Evans	D8/1				
D424,922	S *	5/2000	Sherman	D8/395				
D438,781	S *	3/2001	Leach	D8/394				
6,206,331	B1 *	3/2001	Keith	B60R 16/0215				
						248/73			
D439,833	S *	4/2001	Nakamura	D8/356				
6,470,542	B1 *	10/2002	Giannini	A43B 3/0078				
						24/129 A			
6,488,664	B1 *	12/2002	Solomon	A61M 16/0666				
						24/20 R			
D473,130	S *	4/2003	Leung	D8/396				
D537,334	S *	2/2007	Lee	D8/396				
D580,748	S *	11/2008	Polak	D8/394				
7,784,745	B2 *	8/2010	Dodge	F16L 3/1075				
						248/73			
D634,011	S *	3/2011	Phillips	D24/143				
D695,100	S *	12/2013	Whitaker	D8/396				
D710,190	S *	8/2014	Weger	D8/396				
8,961,340	B2 *	2/2015	Boatwright	A63B 60/28				
						473/568			
2006/0076462	A1 *	4/2006	Ceravalls Pujol	F16L 3/1033				
						248/67.7			

* cited by examiner

FIG. 1

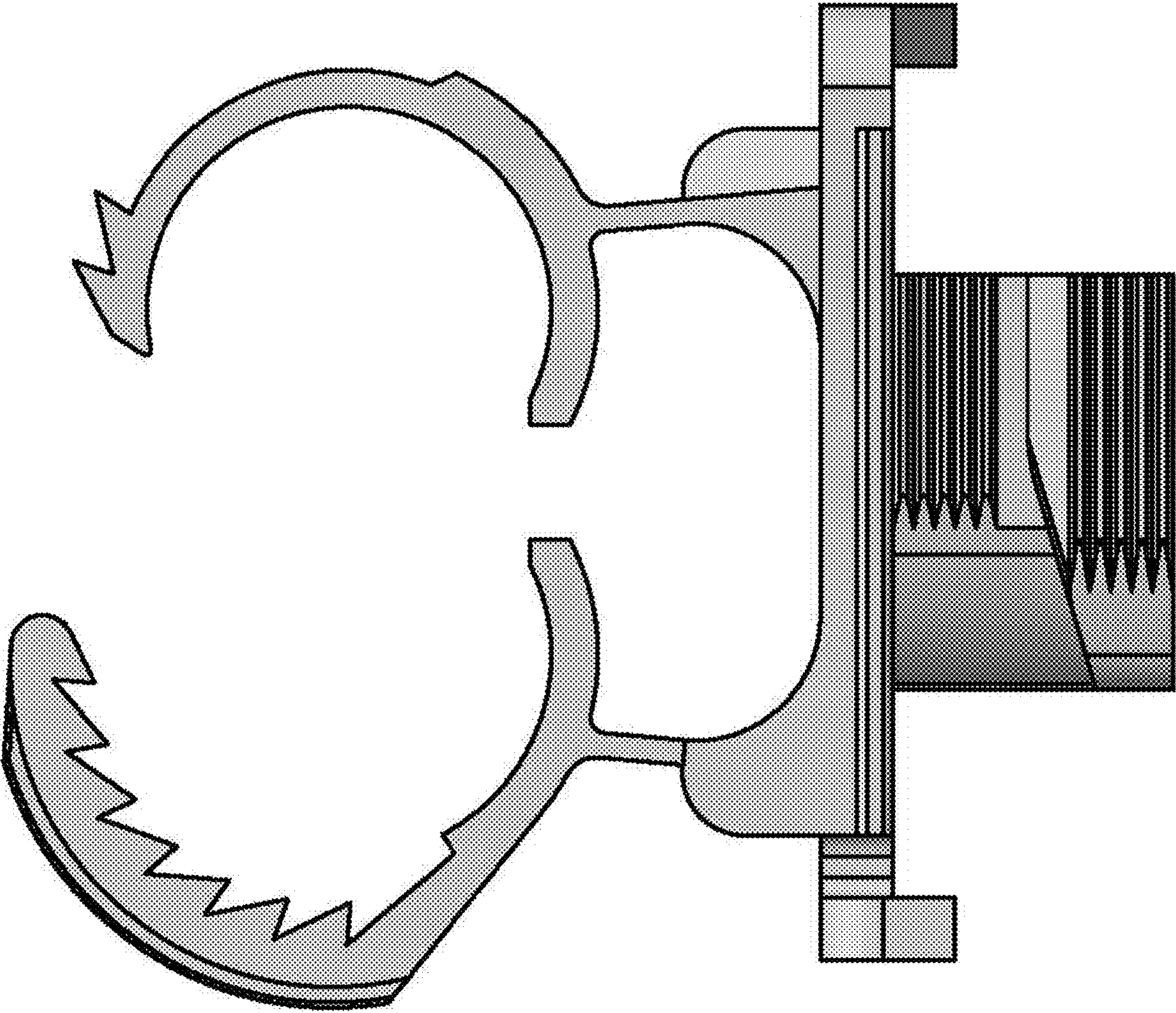


FIG. 2

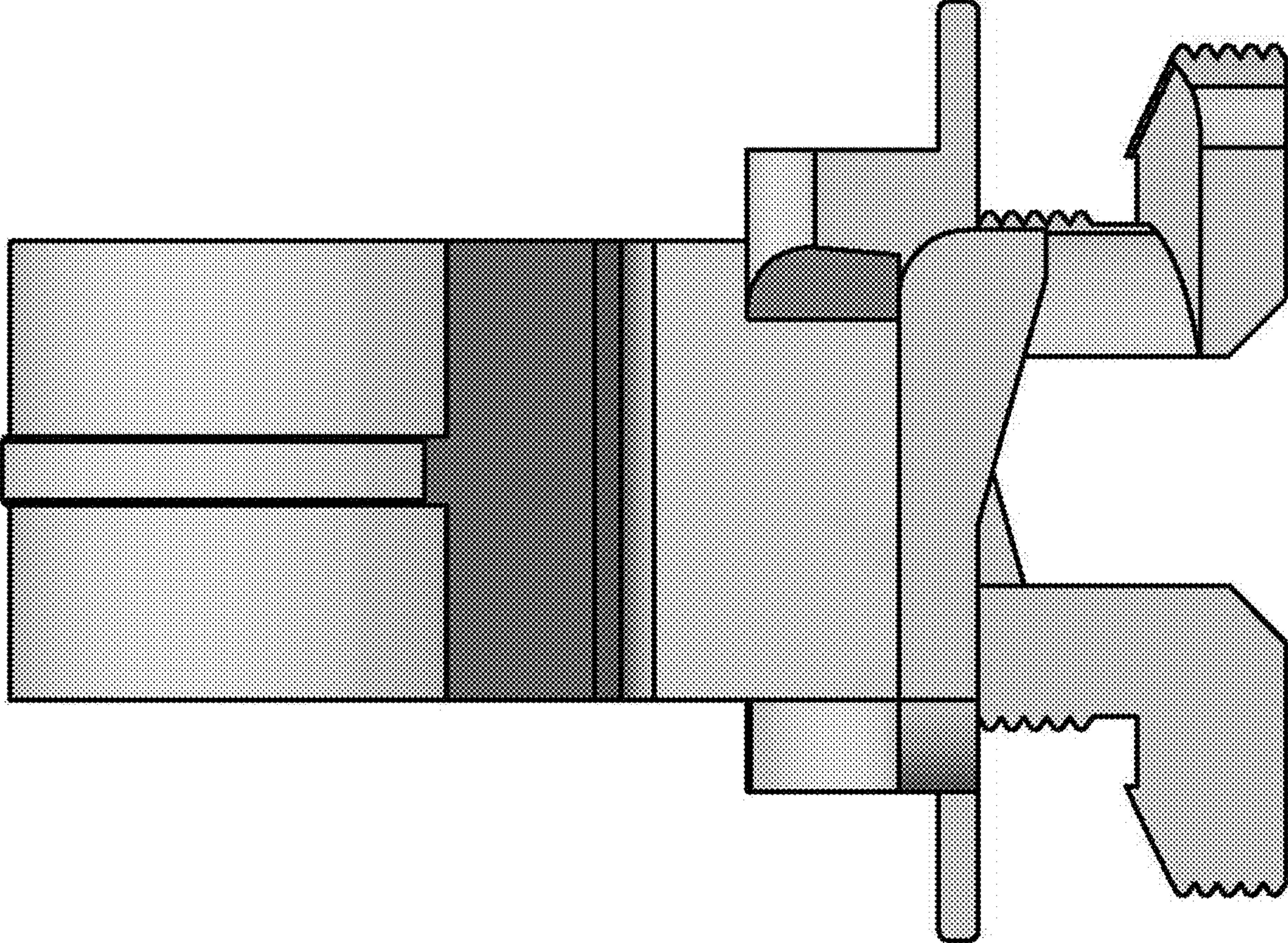
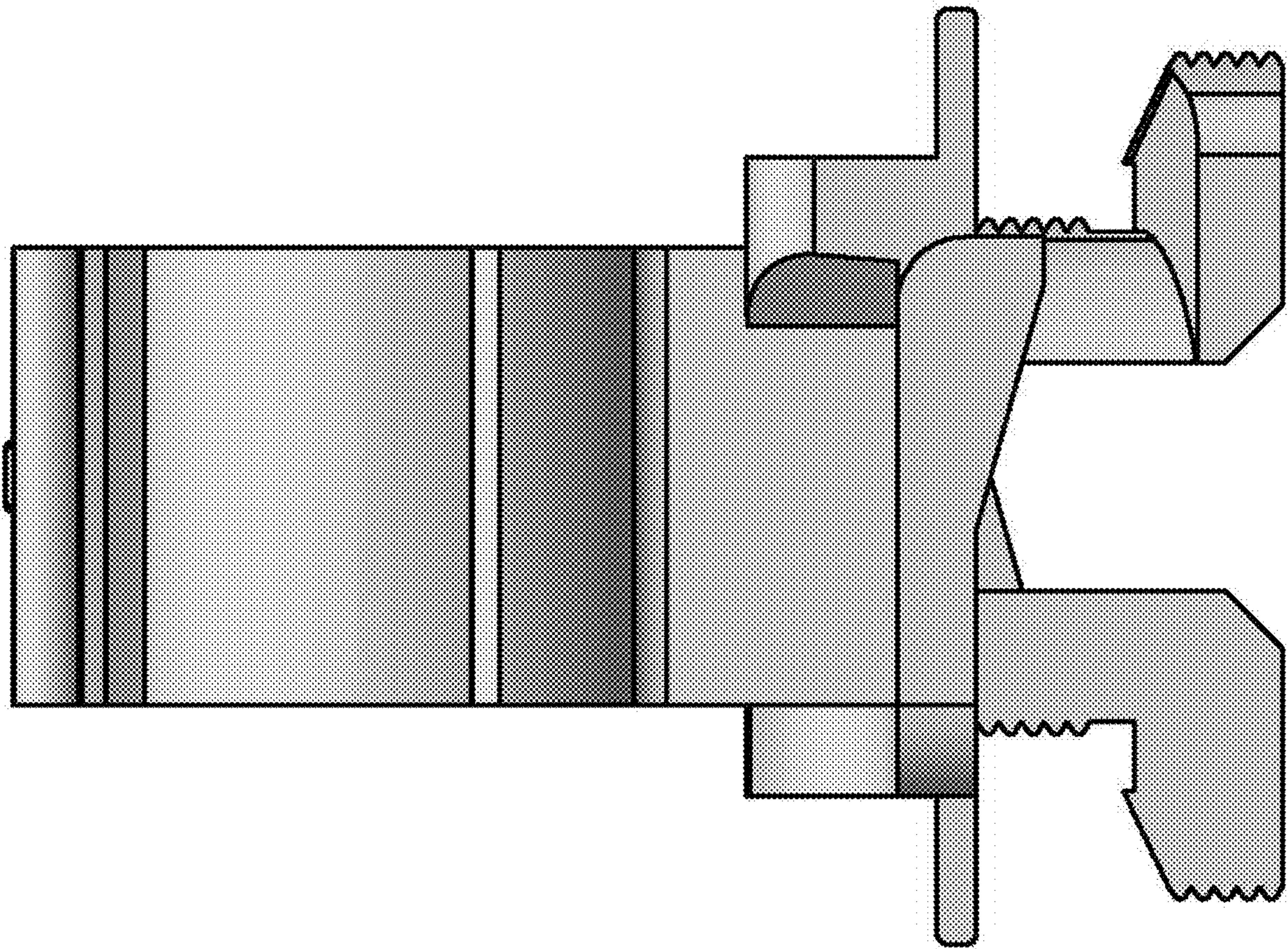


FIG. 3



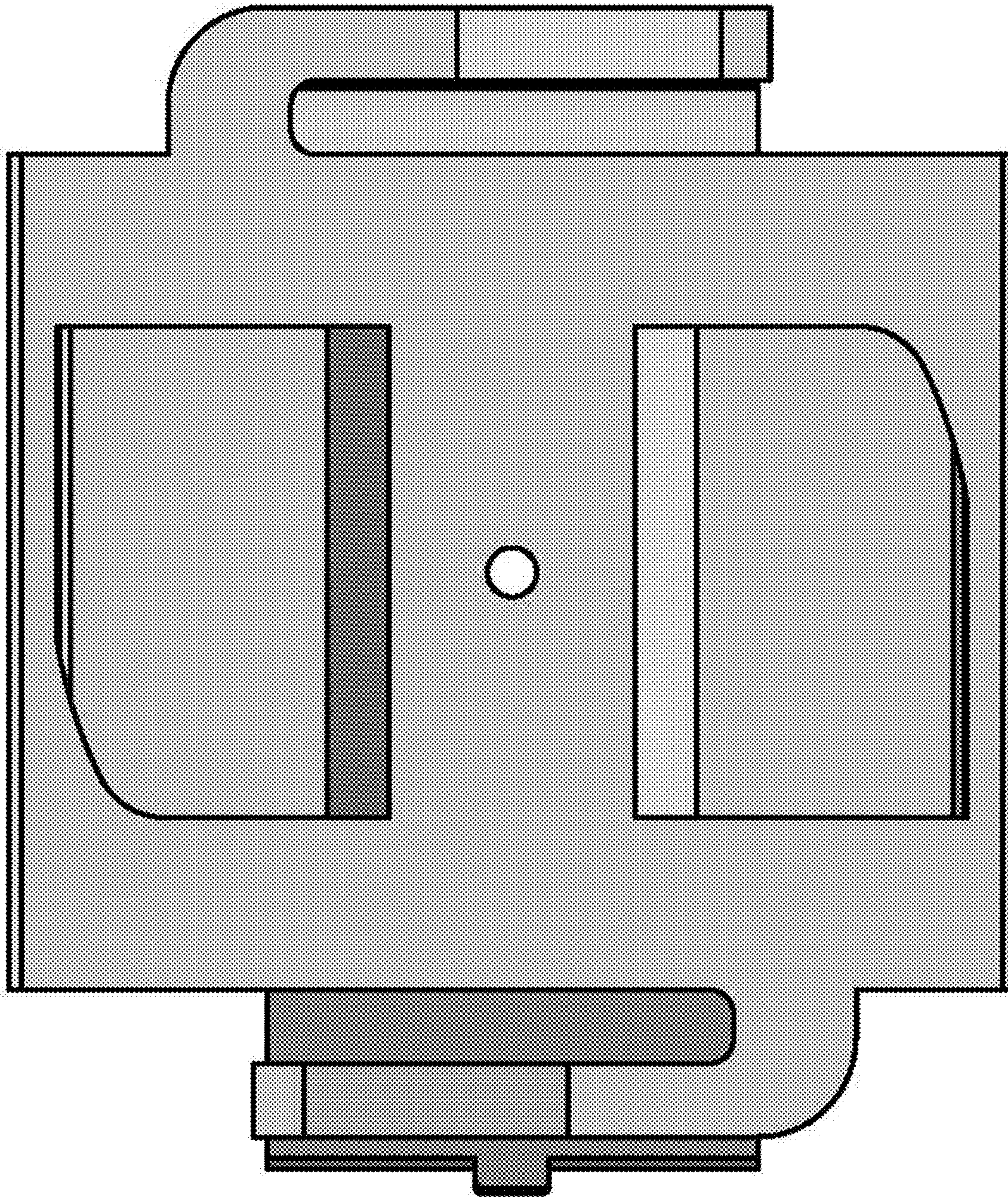


FIG. 4

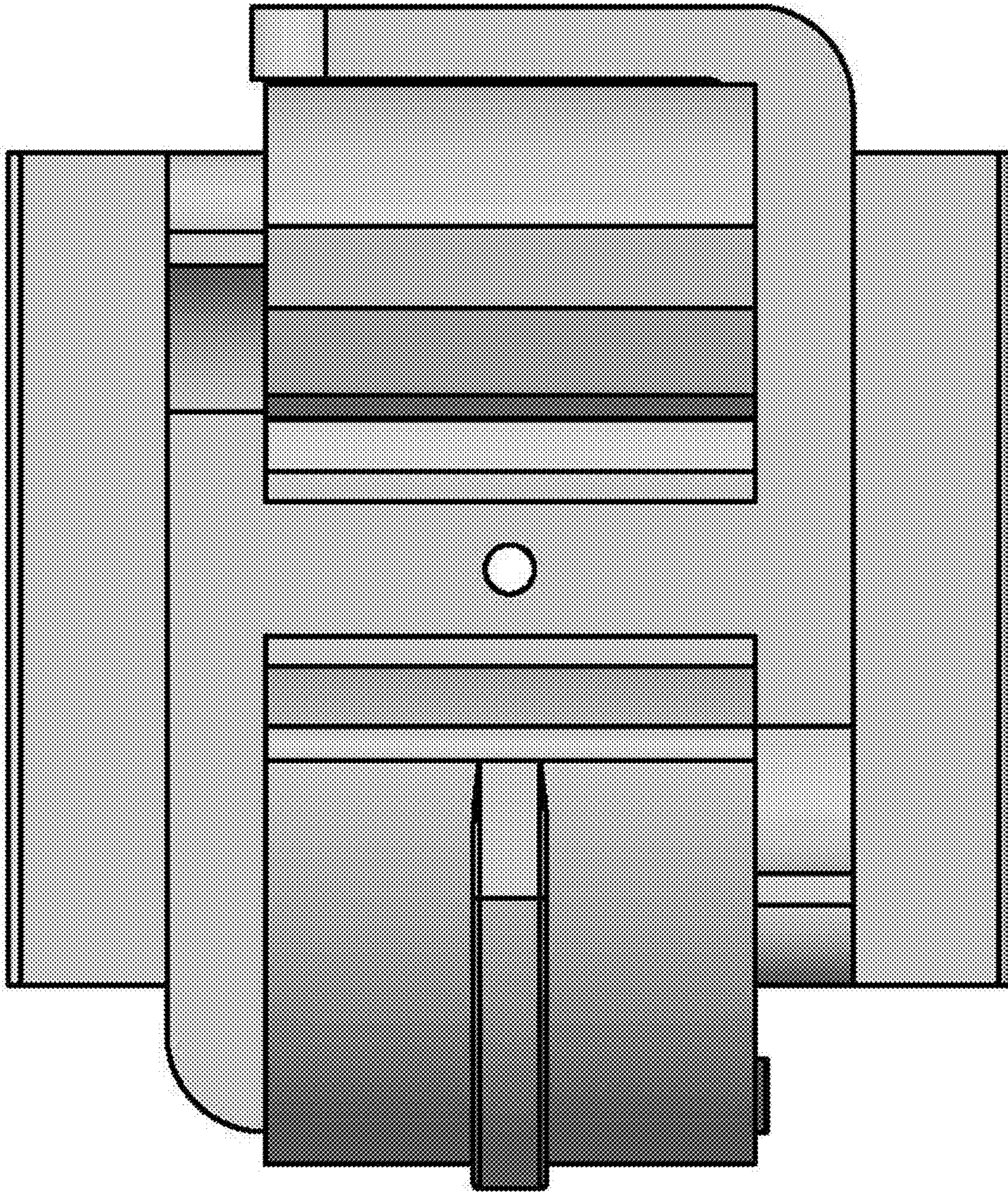


FIG. 5

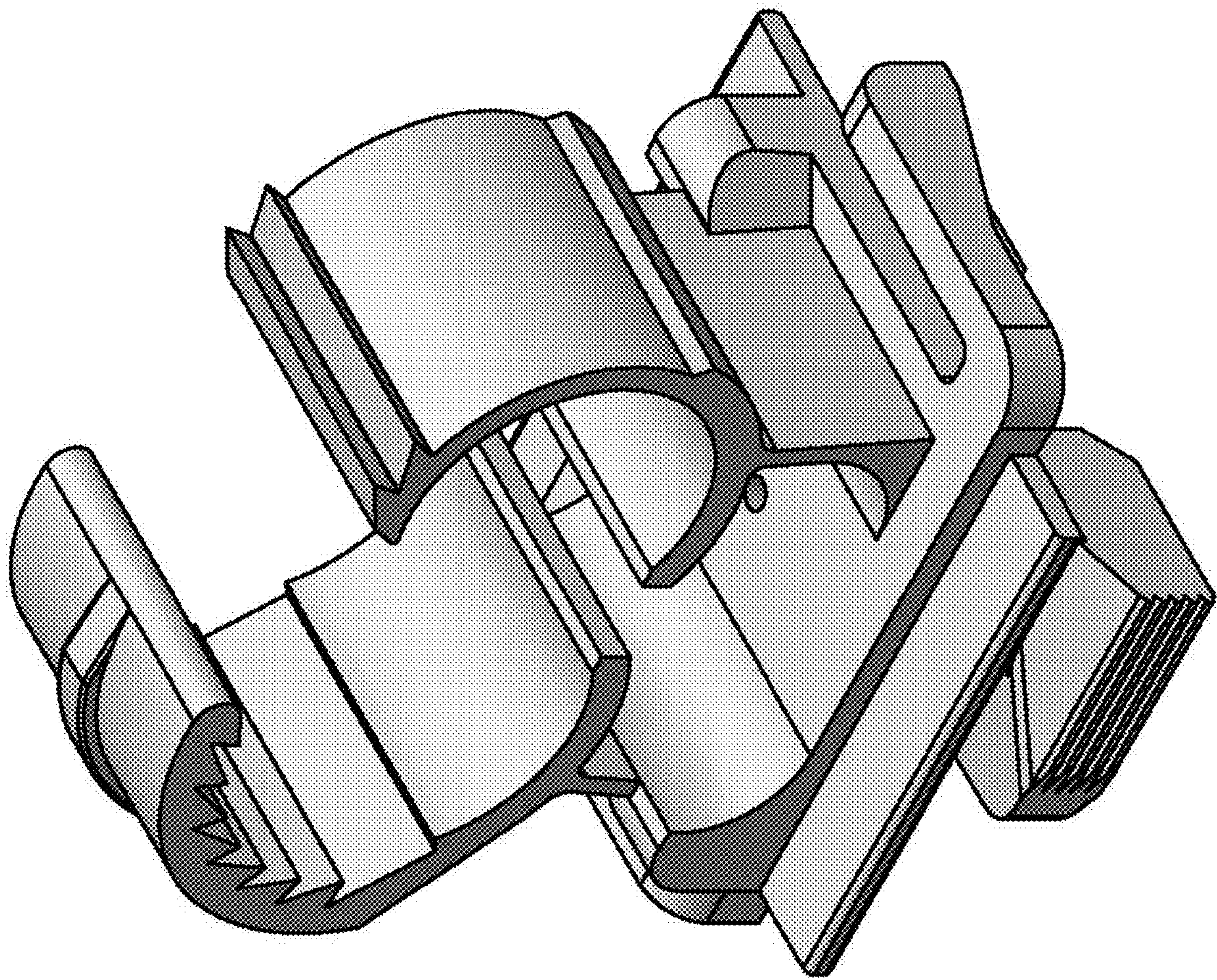


FIG. 6

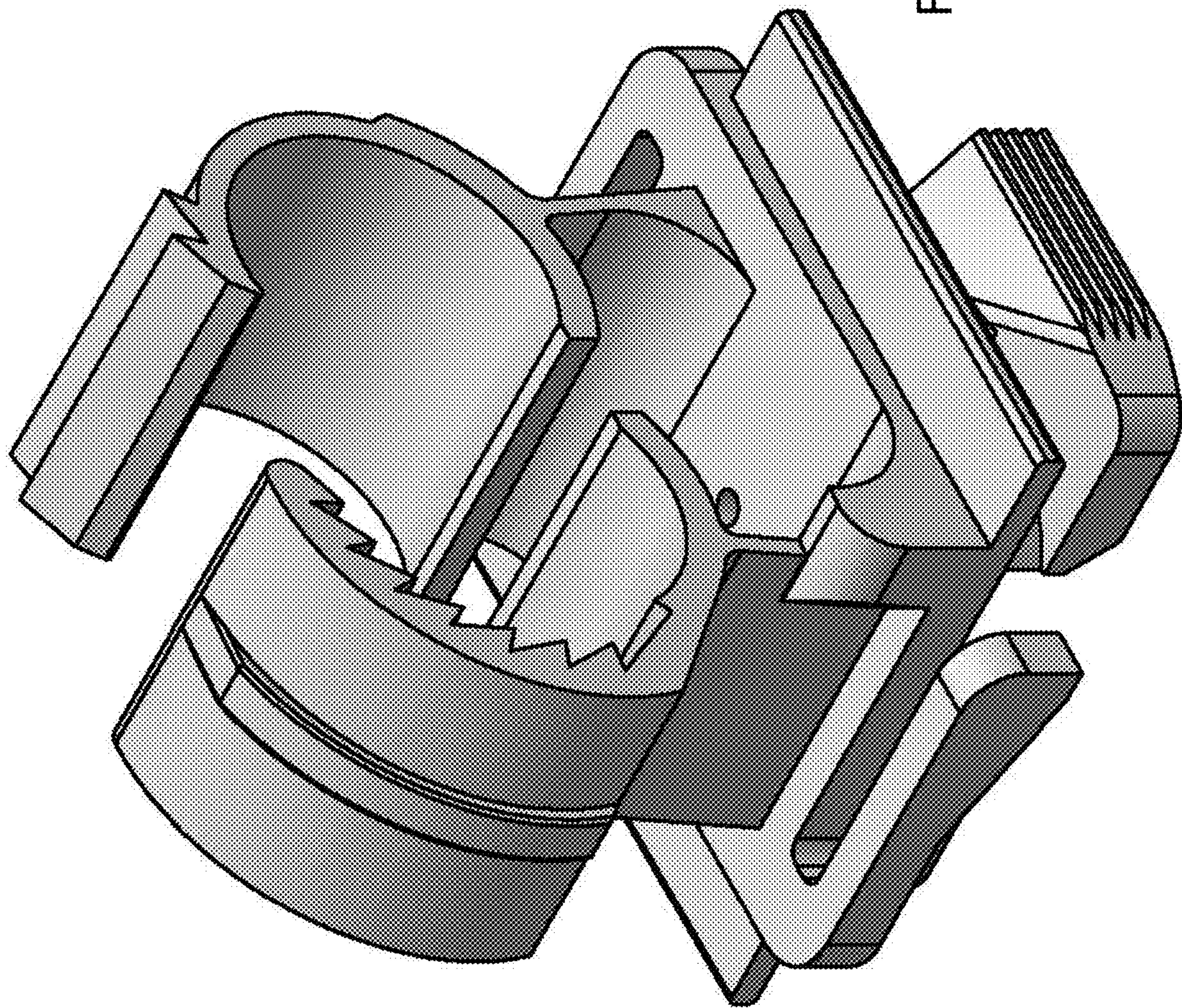


FIG. 7

FIG. 8

