



US00D889252S

(12) **United States Design Patent** (10) **Patent No.:** **US D889,252 S**
Seiler (45) **Date of Patent:** **** Jul. 7, 2020**

(54) **CONNECTING DEVICES FOR PARTS OF FURNITURE OR PARTS OF MACHINES**

(71) Applicant: **LAMELLO AG**, Bubendorf (CH)

(72) Inventor: **Philipp Seiler**, Arboldswil (CH)

(73) Assignee: **Lamello AG**, Bubendorf (CH)

(**) Term: **15 Years**

(21) Appl. No.: **35/506,467**

(22) Filed: **Sep. 21, 2018**

(80) **Hague Agreement Data**

Int. Filing Date: **Sep. 21, 2018**

Int. Reg. No.: **DM/103114**

Int. Reg. Date: **Sep. 21, 2018**

Int. Reg. Pub. Date: **Mar. 22, 2019**

(51) **LOC (12) Cl.** **08-08**

(52) **U.S. Cl.**

USPC **D8/382**

CPC **F16L 37/08** (2013.01)

(58) **Field of Classification Search**

USPC D8/382, 339, 341, 336, 331, 396, 349;
24/92; 403/408.1, 245, 256, 257, 321,
403/292

CPC .. F16L 37/08; F16L 37/0845; A47B 88/0407;
B29C 53/785; E04B 2001/2424; E04B
2001/2454; F16B 2/12; F16B 2/06

See application file for complete search history.

(56) **References Cited**

U.S. PATENT DOCUMENTS

4,641,988 A * 2/1987 Ganner F16B 12/2027
403/245

4,826,222 A * 5/1989 Davis E05C 3/10
292/197

5,517,730 A * 5/1996 Ho A44B 1/12
24/108

5,529,428 A * 6/1996 Bischof F16B 12/14
403/408.1

5,730,544 A * 3/1998 Dils F16B 12/04
403/13

D422,893 S * 4/2000 Heredos-Formby D8/339

D484,030 S * 12/2003 Thach D8/382

D525,111 S * 7/2006 Farrell D8/331

D528,400 S * 9/2006 Vetter D8/331

D531,887 S * 11/2006 Rimer, Jr. D8/382

D539,129 S * 3/2007 Griffiths D8/382

D560,484 S * 1/2008 Smith D8/396

D640,537 S * 6/2011 Parks D8/396

8,092,114 B2 * 1/2012 Baur E05B 63/123
403/254

8,240,942 B2 * 8/2012 Baur B27F 5/023
403/292

D686,903 S * 7/2013 Guichot D8/331

(Continued)

Primary Examiner — Richard E Chilcot

(74) *Attorney, Agent, or Firm* — Aslan Law, P.C.

(57) **CLAIM**

The ornamental design for a connecting devices for parts of furniture or parts of machines, as shown and described.

DESCRIPTION

1.1-2.7 Connecting devices for parts of furniture or parts of machines.

1.1 : Perspective

1.2 : Front

1.3 : Left

1.4 : Back

1.5 : Right

1.6 : Top

1.7 : Bottom

2.1 : Perspective

2.2 : Front

2.3 : Left

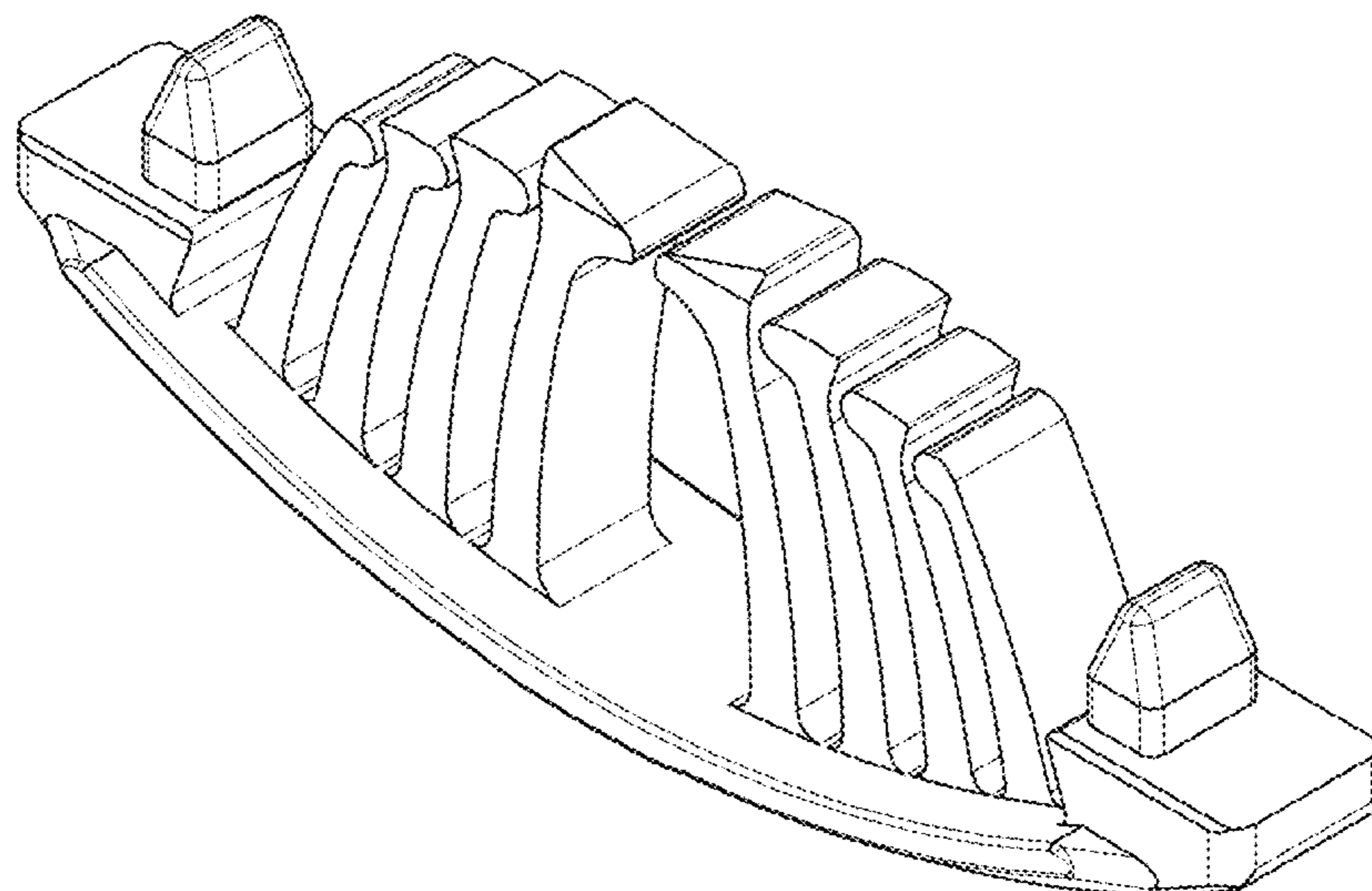
2.4 : Back

2.5 : Right

2.6 : Top

2.7 : Bottom

1 Claim, 14 Drawing Sheets



(56)

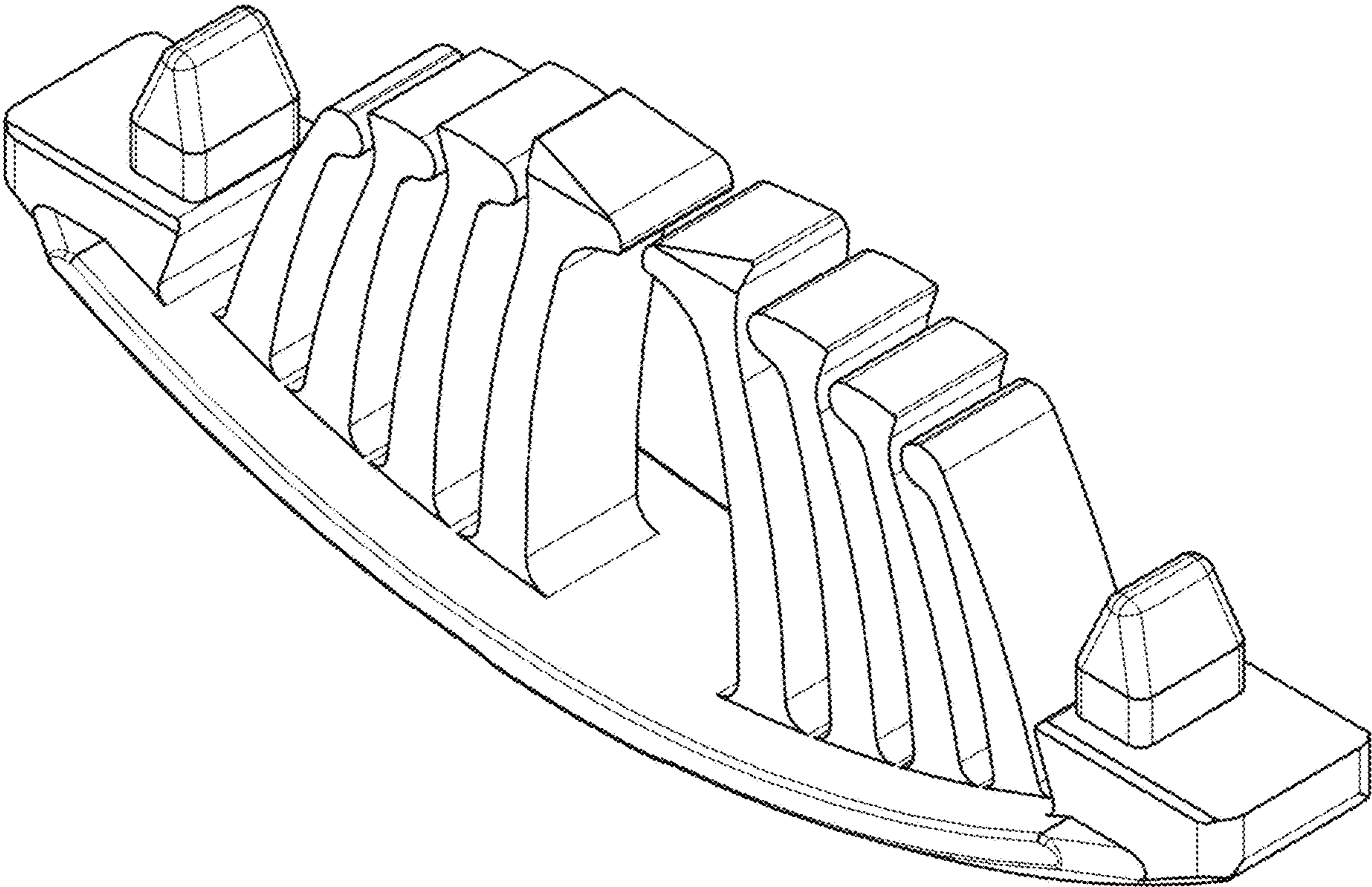
References Cited

U.S. PATENT DOCUMENTS

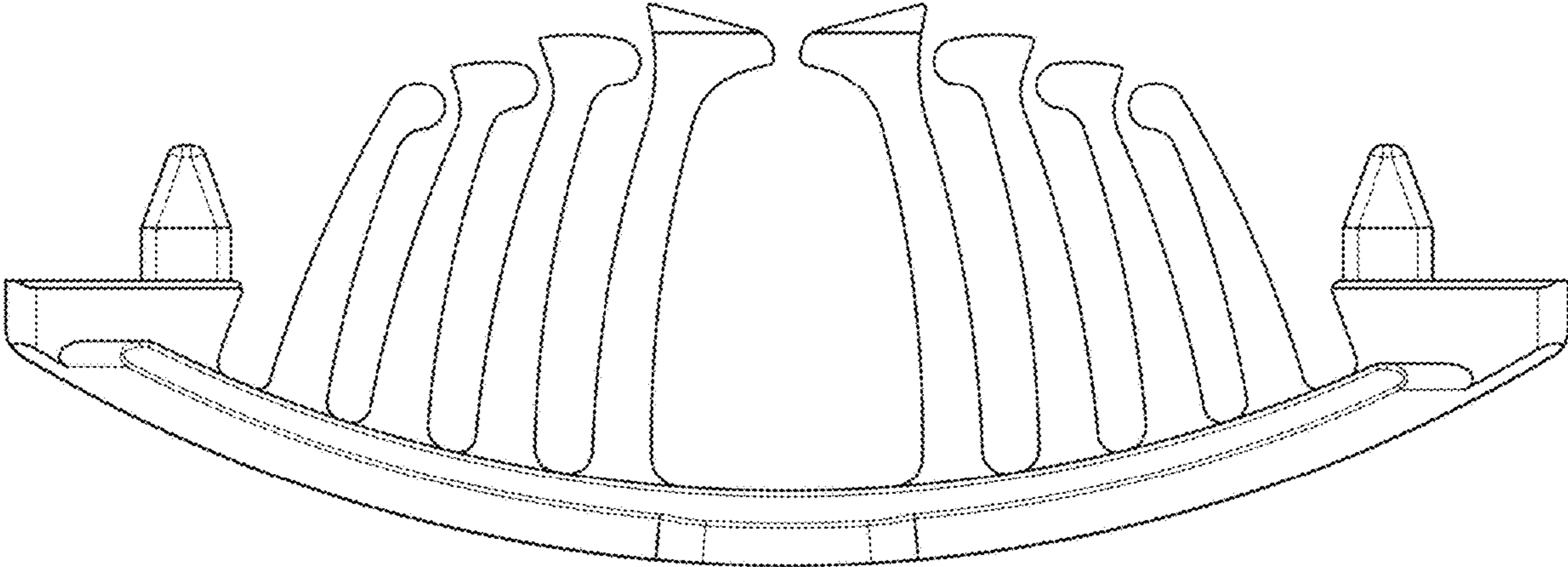
D733,544 S * 7/2015 Baur D8/382

* cited by examiner

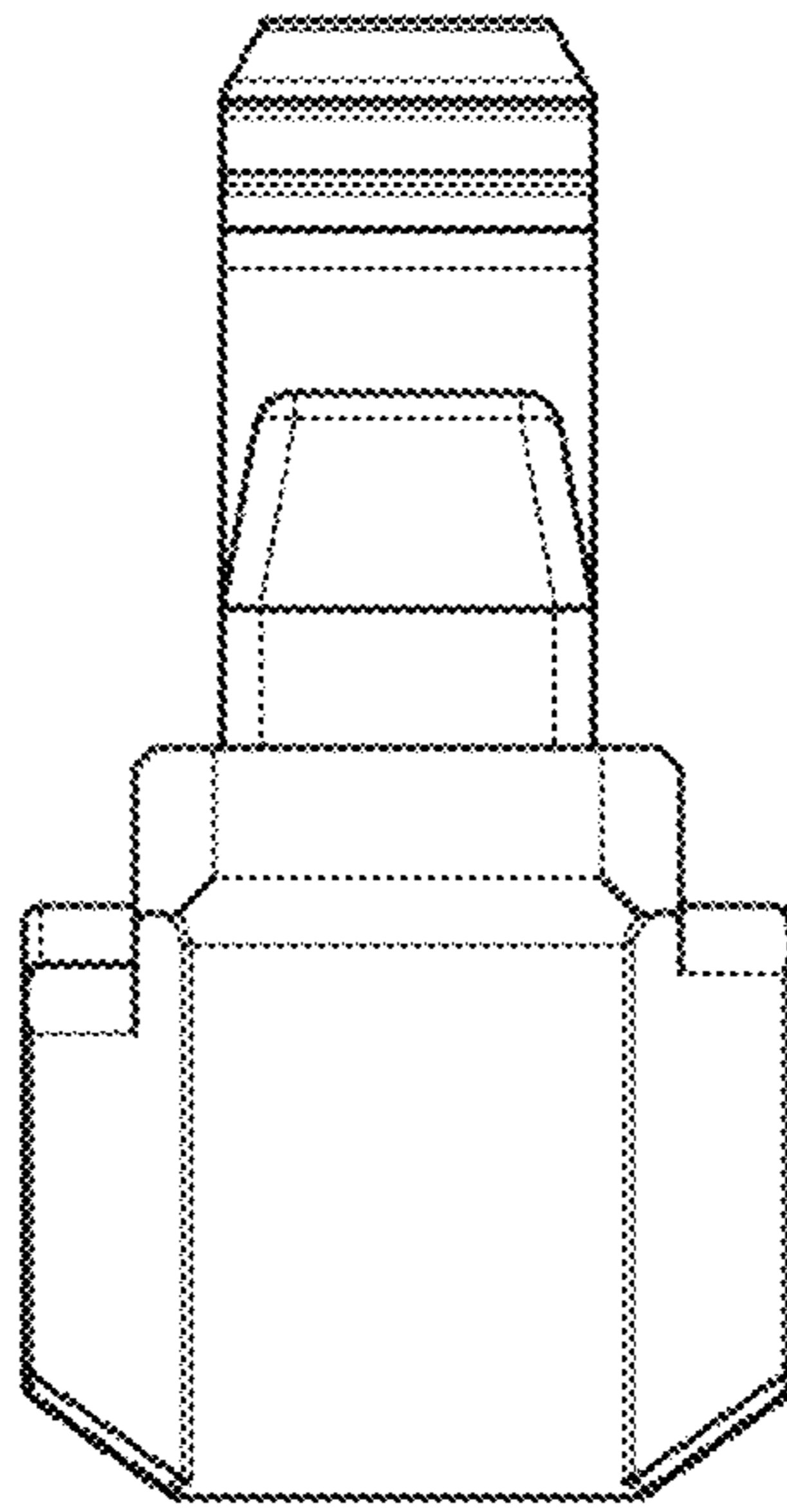
1.1



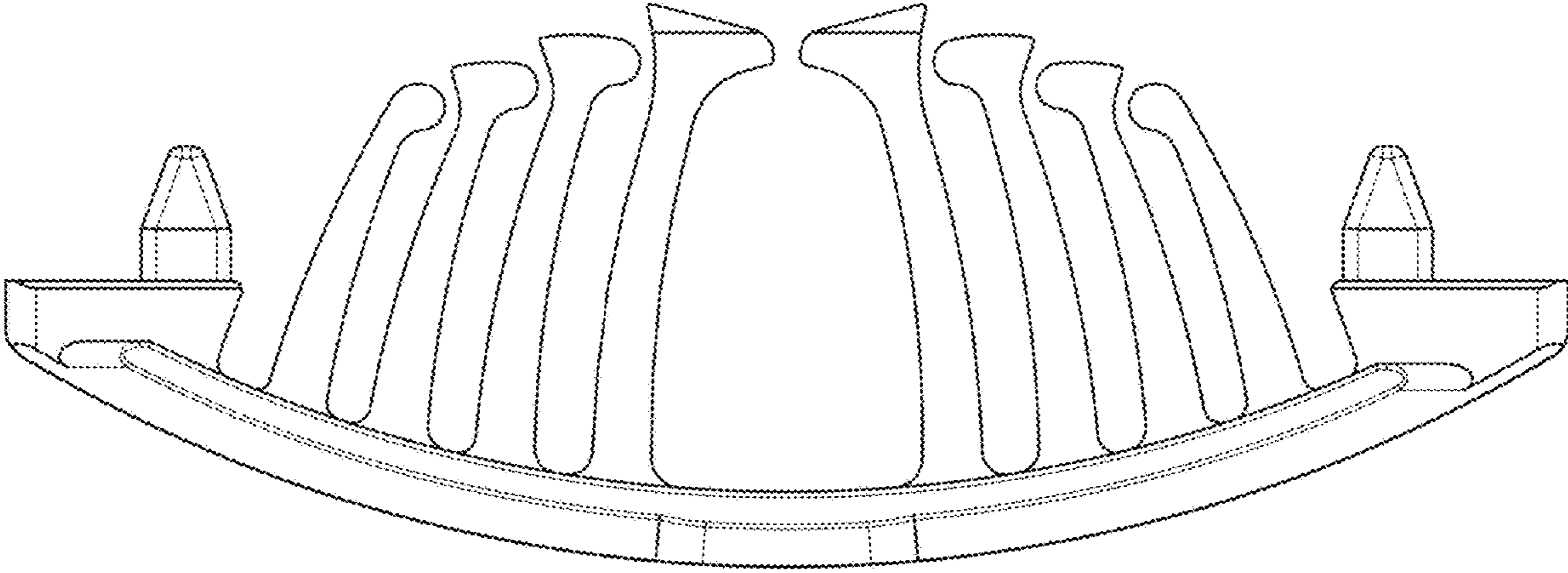
1.2



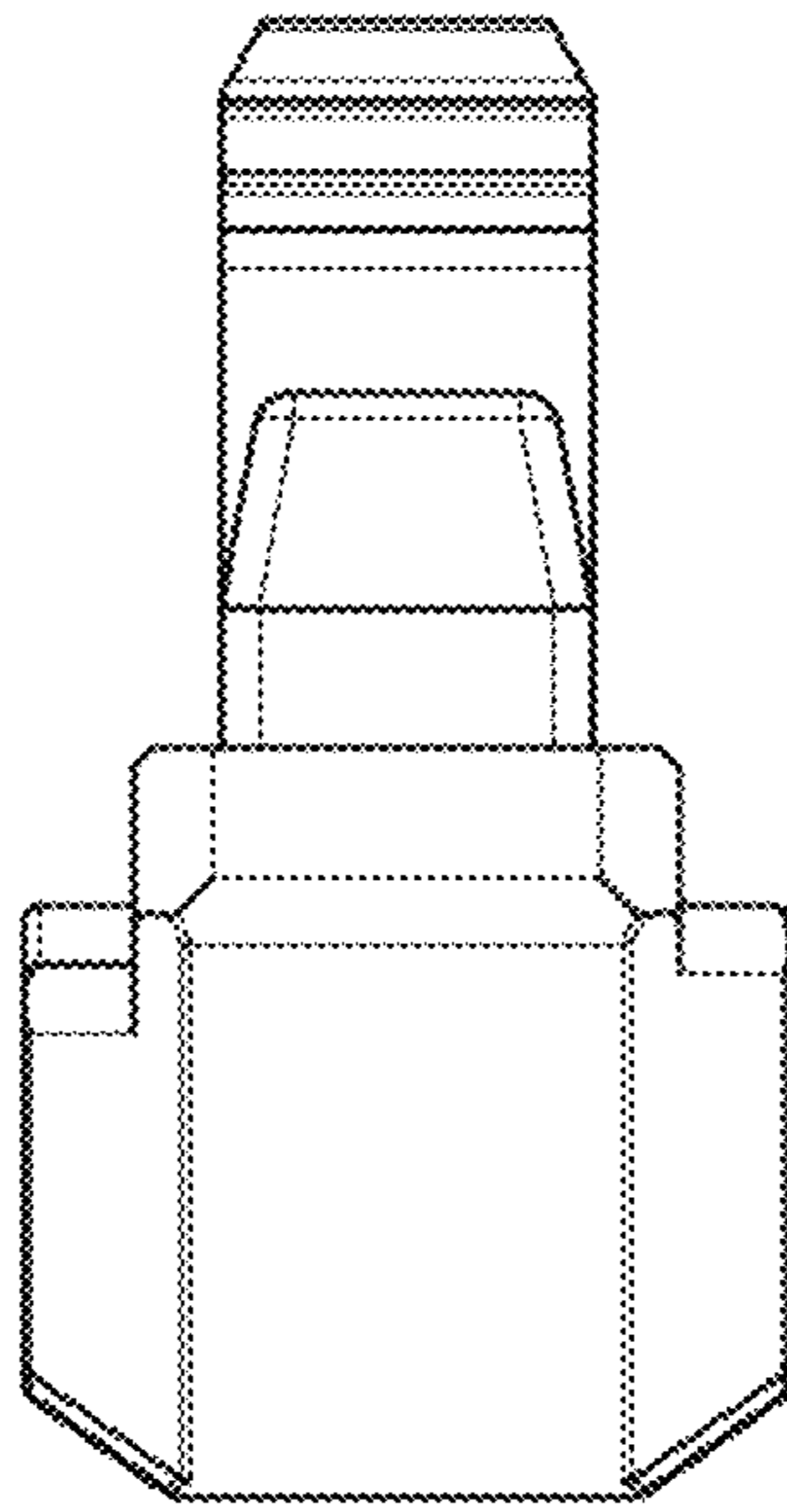
1.3



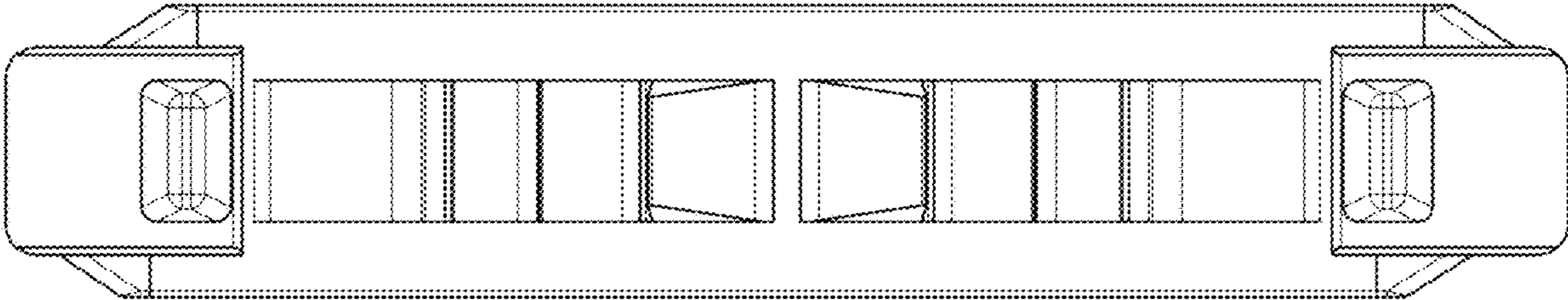
1.4



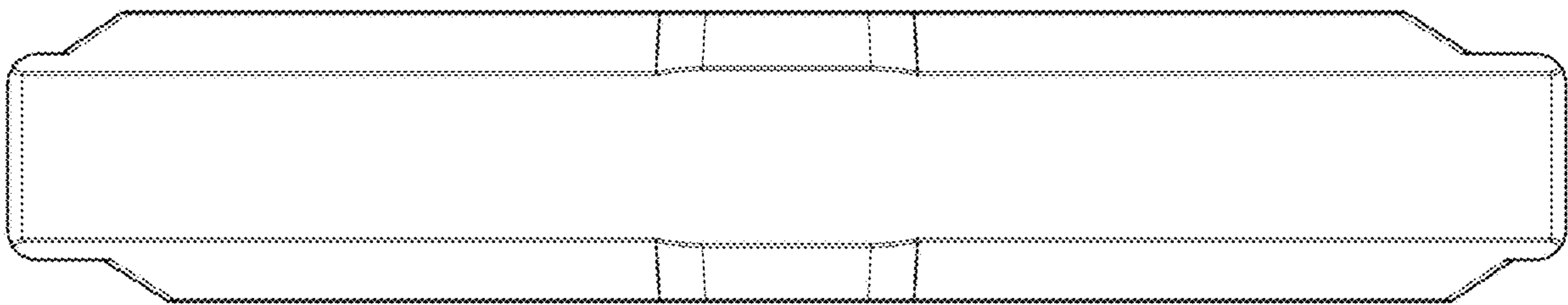
1.5



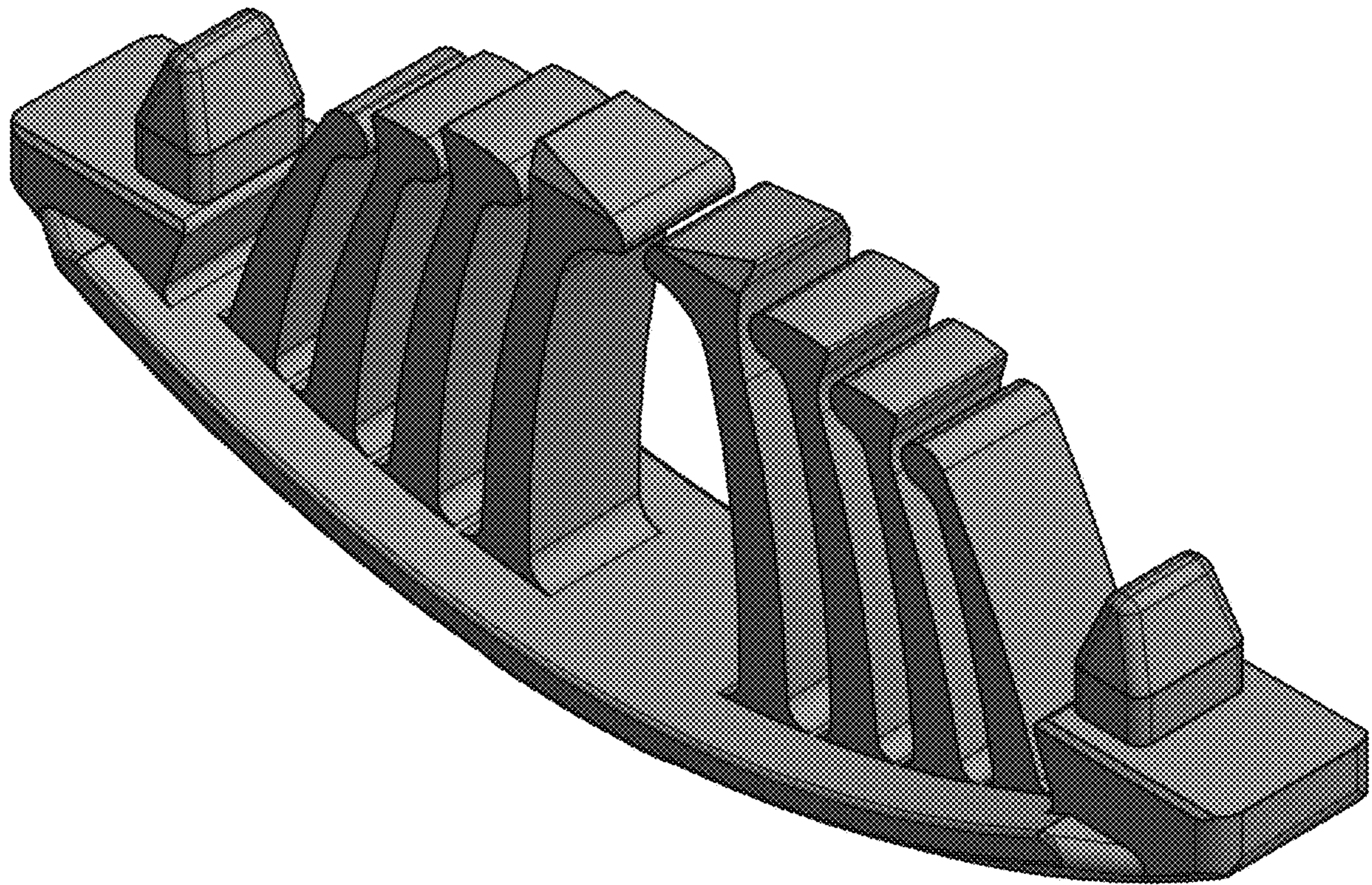
1.6



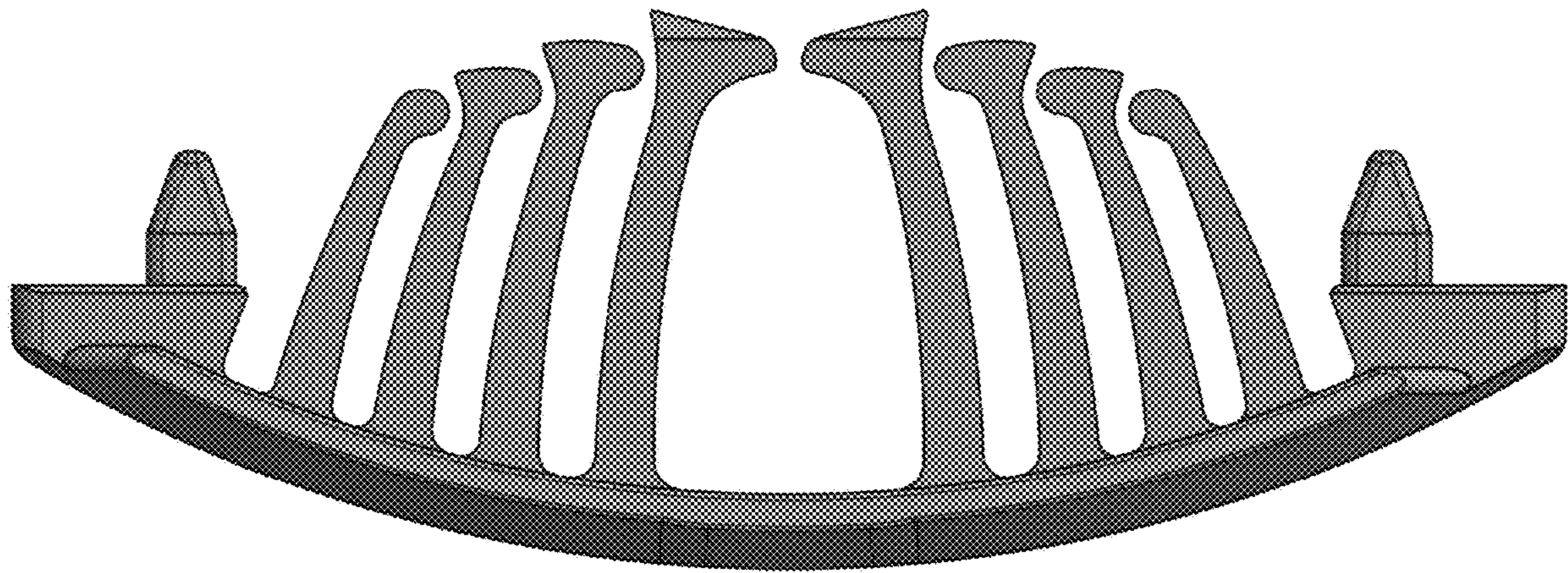
1.7



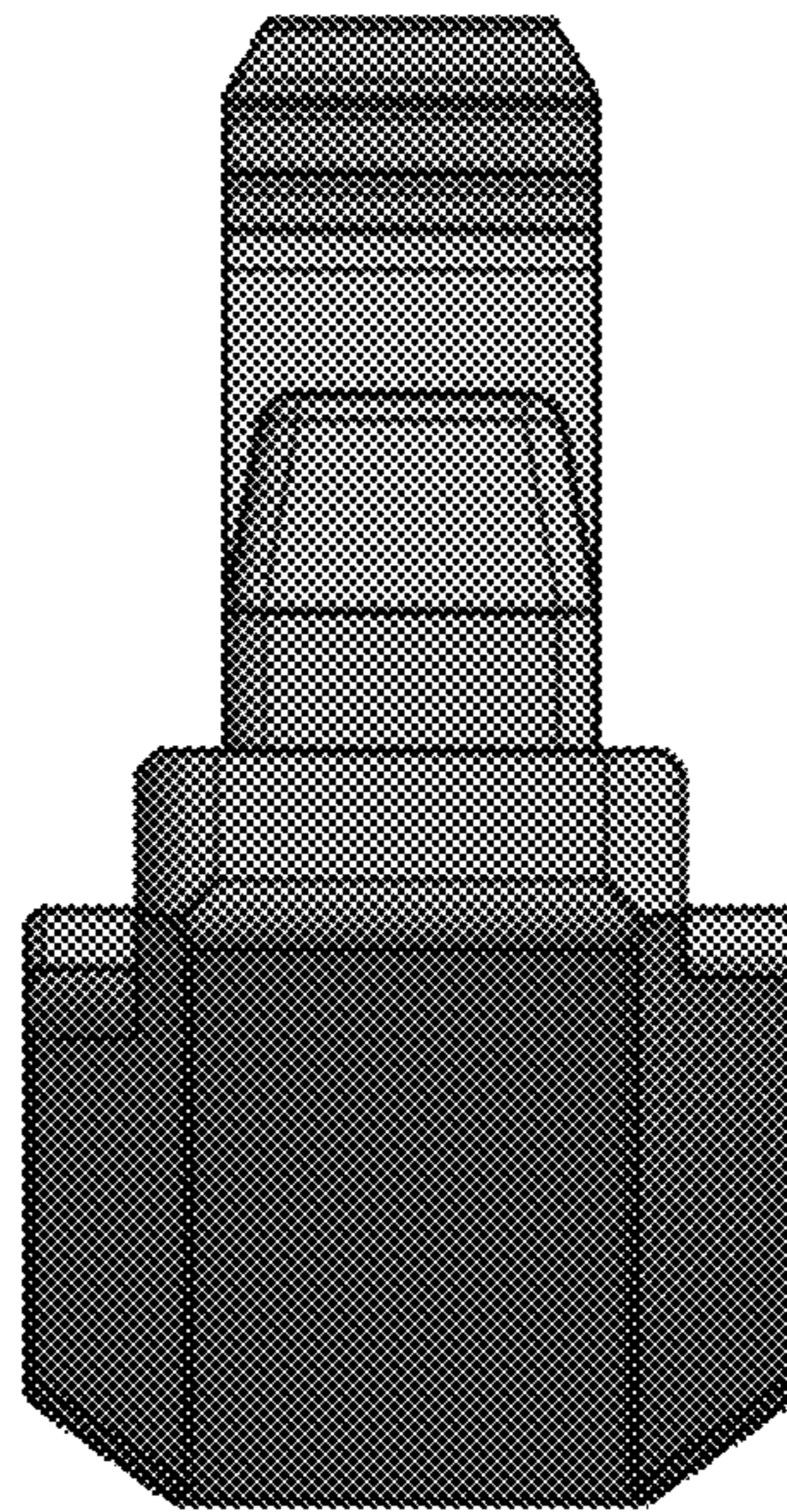
2.1



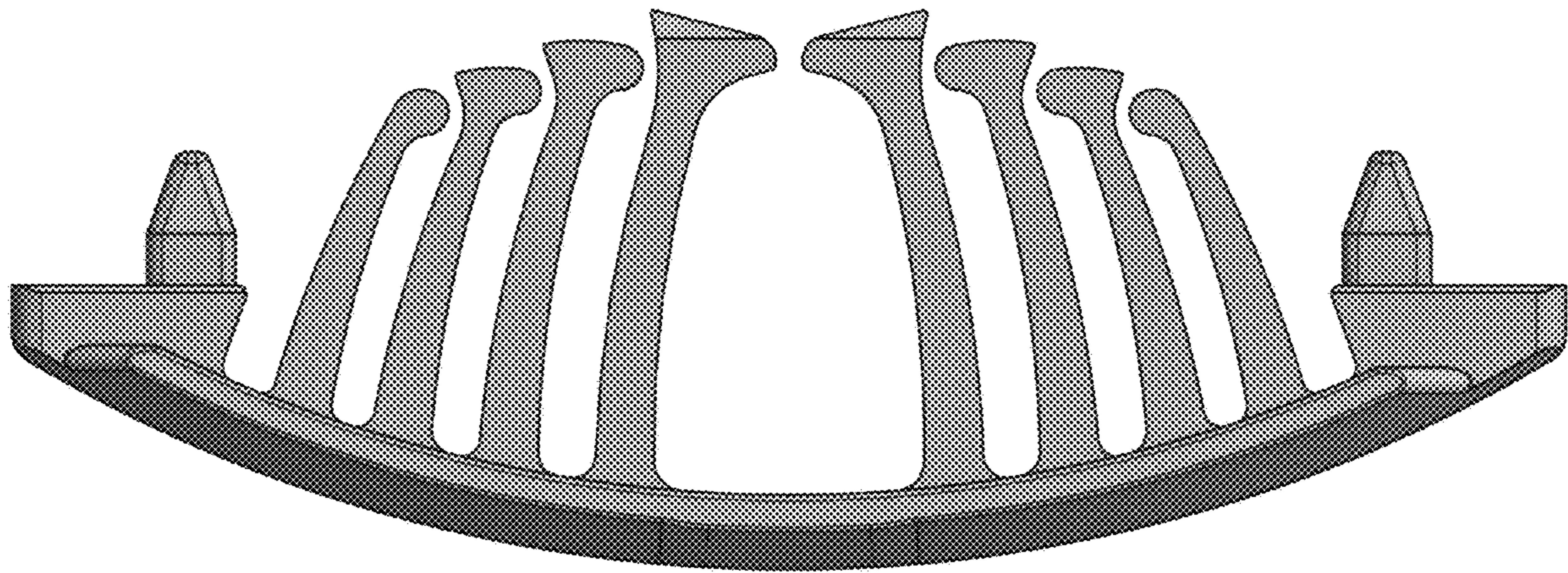
2.2



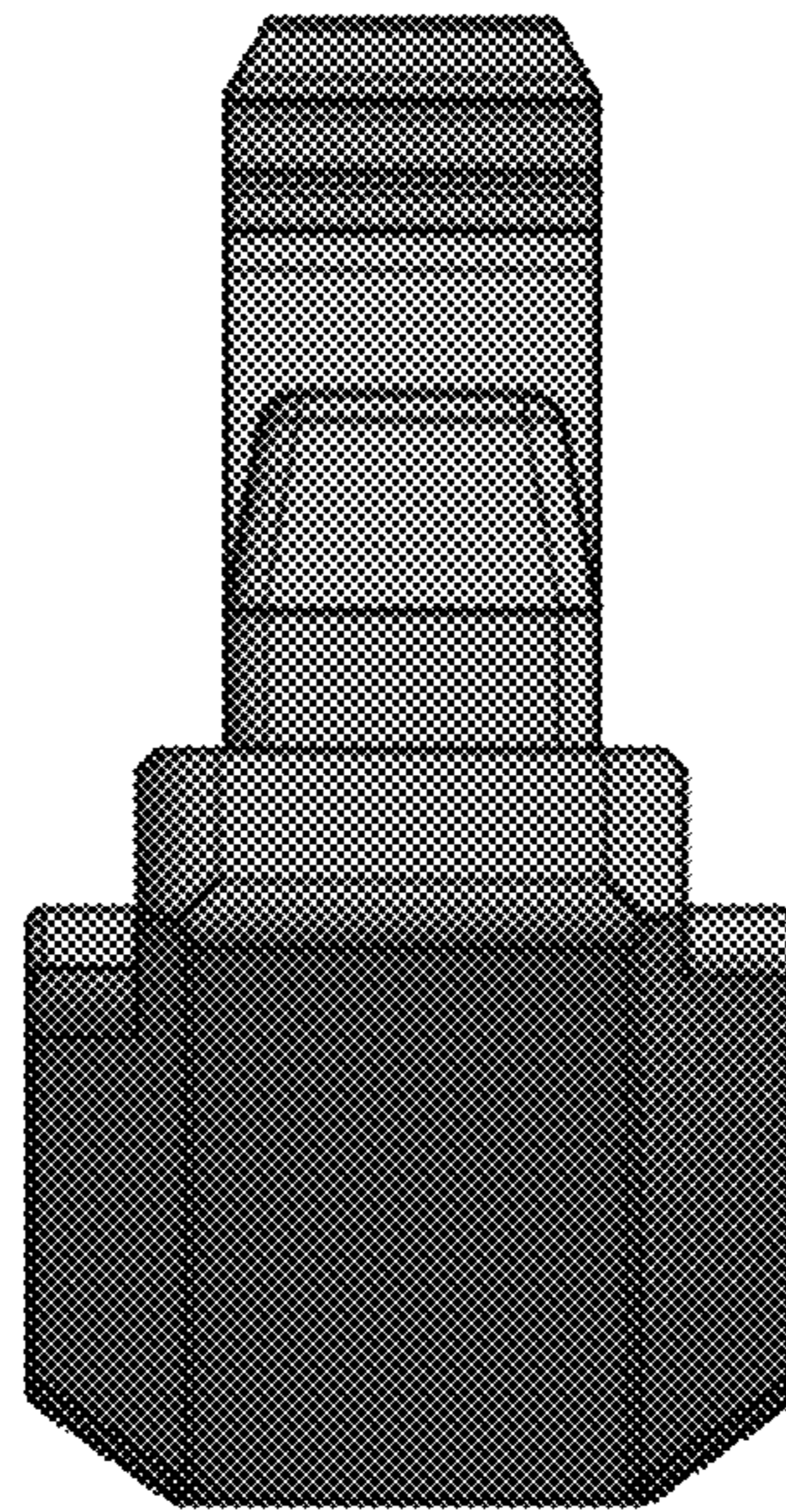
2.3



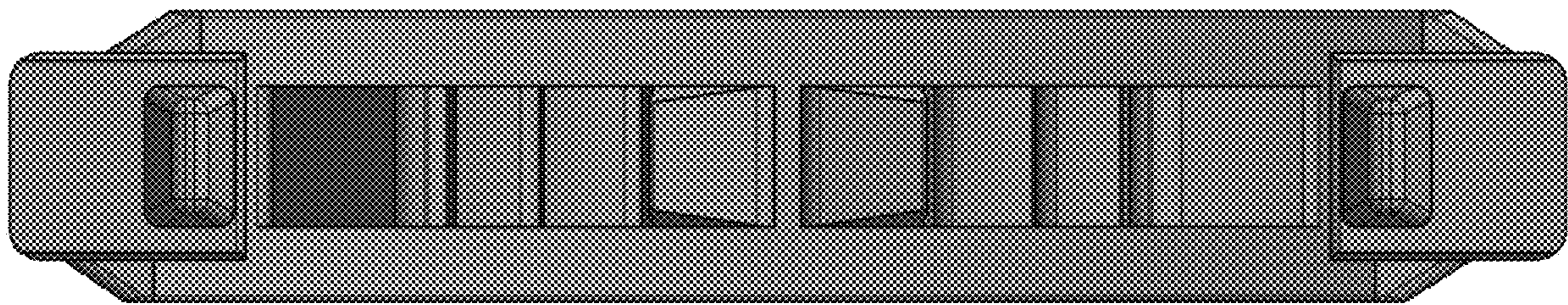
2.4



2.5



2.6



2.7

