



US00D889249S

(12) **United States Design Patent** (10) **Patent No.:** **US D889,249 S**
Chen (45) **Date of Patent:** **** Jul. 7, 2020**

(54) **DOOR HANDLE REINFORCEMENT**

(71) Applicant: **Wen Chen**, Pompano Beach, FL (US)

(72) Inventor: **Wen Chen**, Pompano Beach, FL (US)

(**) Term: **15 Years**

(21) Appl. No.: **29/666,691**

(22) Filed: **Oct. 15, 2018**

(51) **LOC (12) Cl.** **11-05**

(52) **U.S. Cl.**
USPC **D8/350**

(58) **Field of Classification Search**

USPC D8/350, 330, 331, 336, 338, 339, 340,
D8/343, 300, 301, 400; D10/108, 123,
D10/125, 156, 158, 162, 169, 171, 174,
D10/177, 184

CPC G05B 19/00; G05B 15/00; E05B 49/00;
E05B 49/02; E05B 9/00; E05B 17/00;
E05B 37/00; E05B 3/00; E05B 13/103;
E05B 1/00; E05B 47/00; Y10T 70/8324;
Y10T 70/8459; Y10T 70/8514; Y10T
70/8568

See application file for complete search history.

(56) **References Cited**

U.S. PATENT DOCUMENTS

D301,872 S * 6/1989 Copeland D13/177
D432,899 S * 10/2000 Nistor D8/331

D649,011 S * 11/2011 Gordon D8/330
D662,396 S * 6/2012 Misner D8/334
D670,152 S * 11/2012 Gordon D8/330
D672,632 S * 12/2012 Misner D8/334
D684,843 S * 6/2013 Charette D8/331
D809,367 S * 2/2018 Kuo D8/331
D841,429 S * 2/2019 Fryer D8/343
D846,367 S * 4/2019 Romero, Jr. D8/343
D850,886 S * 6/2019 Huang D8/331
D851,478 S * 6/2019 Huang D8/331

* cited by examiner

Primary Examiner — Mark A Goodwin

Assistant Examiner — Benjamin M Weeks

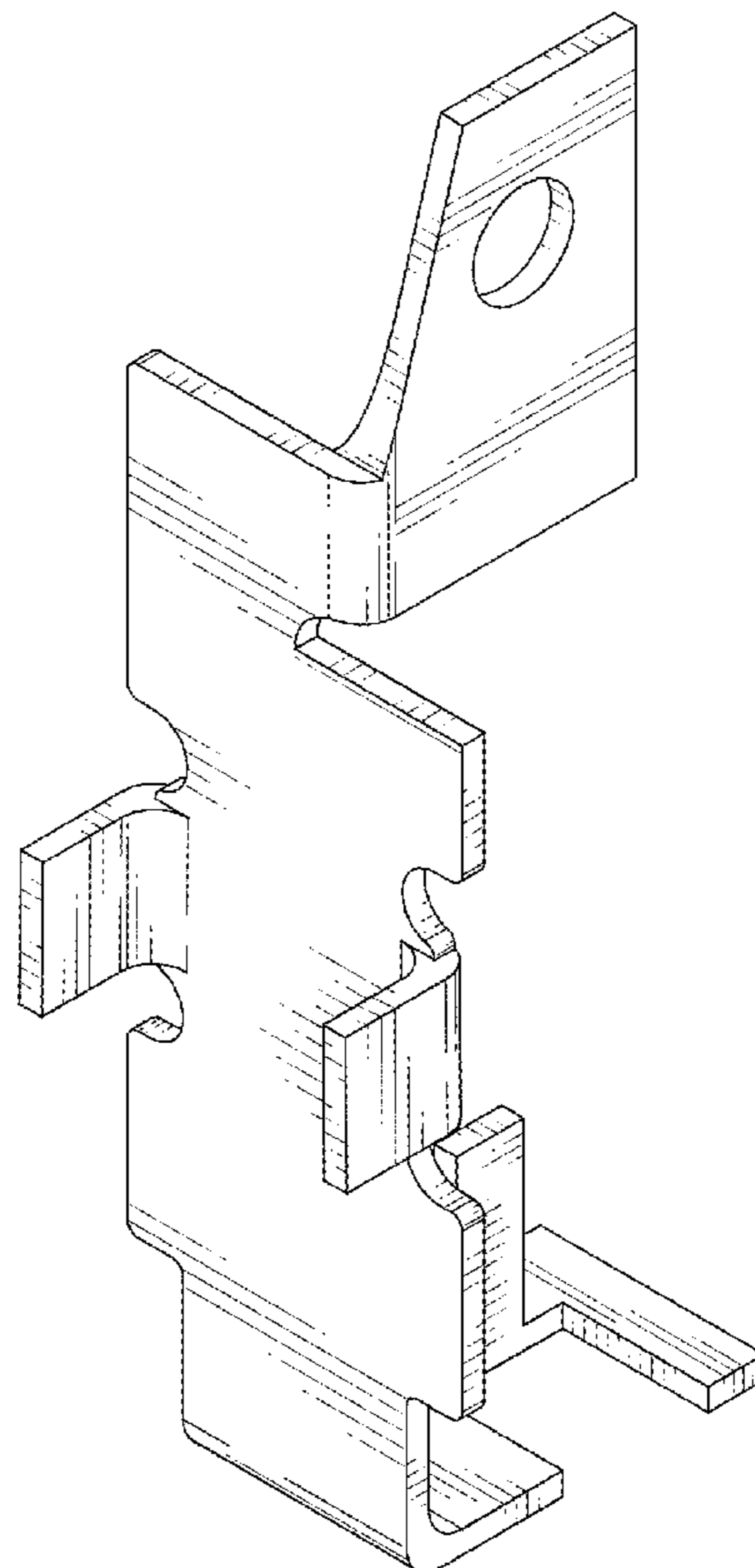
(57) **CLAIM**

The ornamental design for a door handle reinforcement, as shown and described.

DESCRIPTION

FIG. 1 is a top right perspective view of a door handle reinforcement showing my new design;
FIG. 2 is a top left perspective view thereof;
FIG. 3 is a bottom left perspective view thereof;
FIG. 4 is a front view thereof;
FIG. 5 is a back view thereof;
FIG. 6 is a top view thereof;
FIG. 7 is a bottom view thereof;
FIG. 8 is a left view thereof; and,
FIG. 9 is a right view thereof.

1 Claim, 9 Drawing Sheets



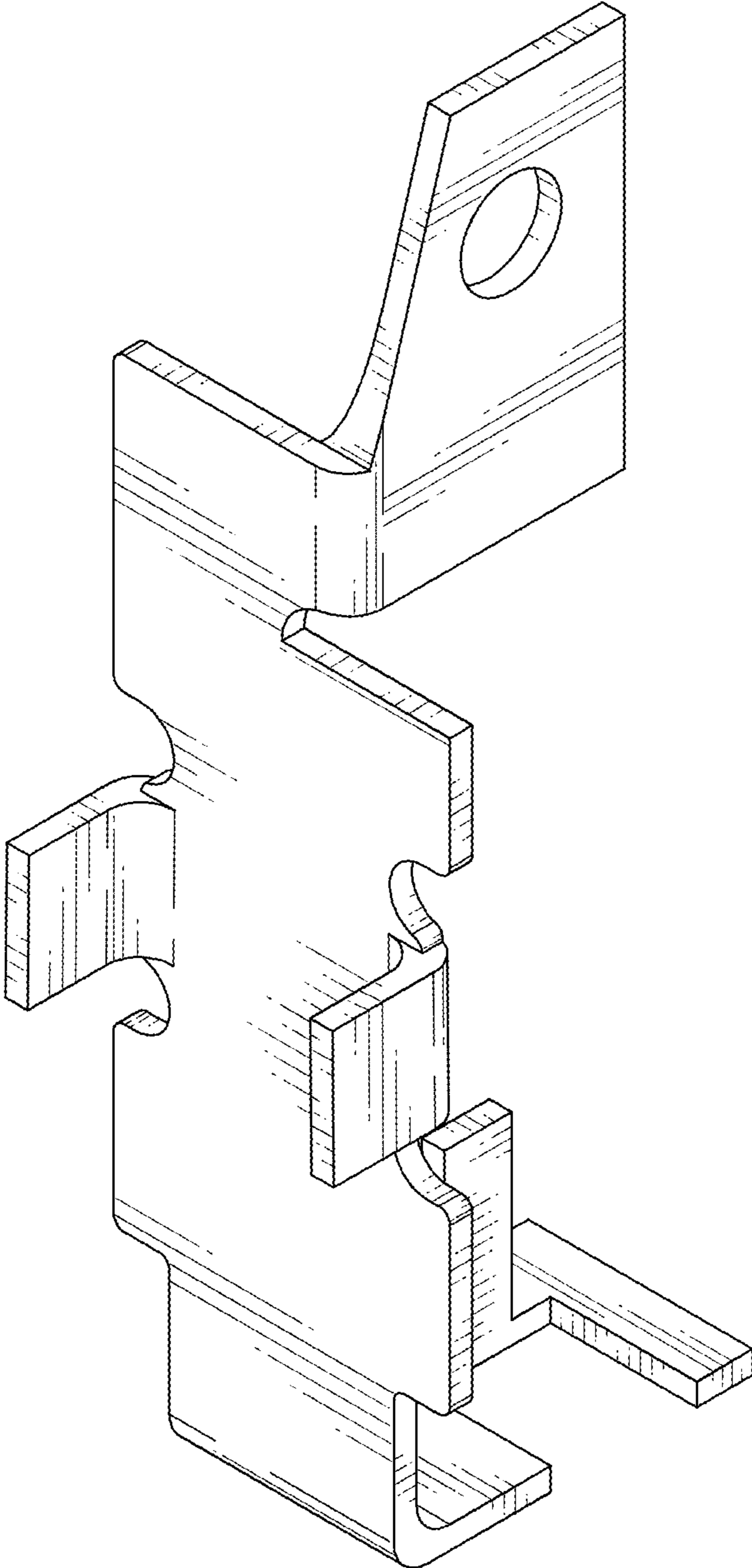


FIG. 1

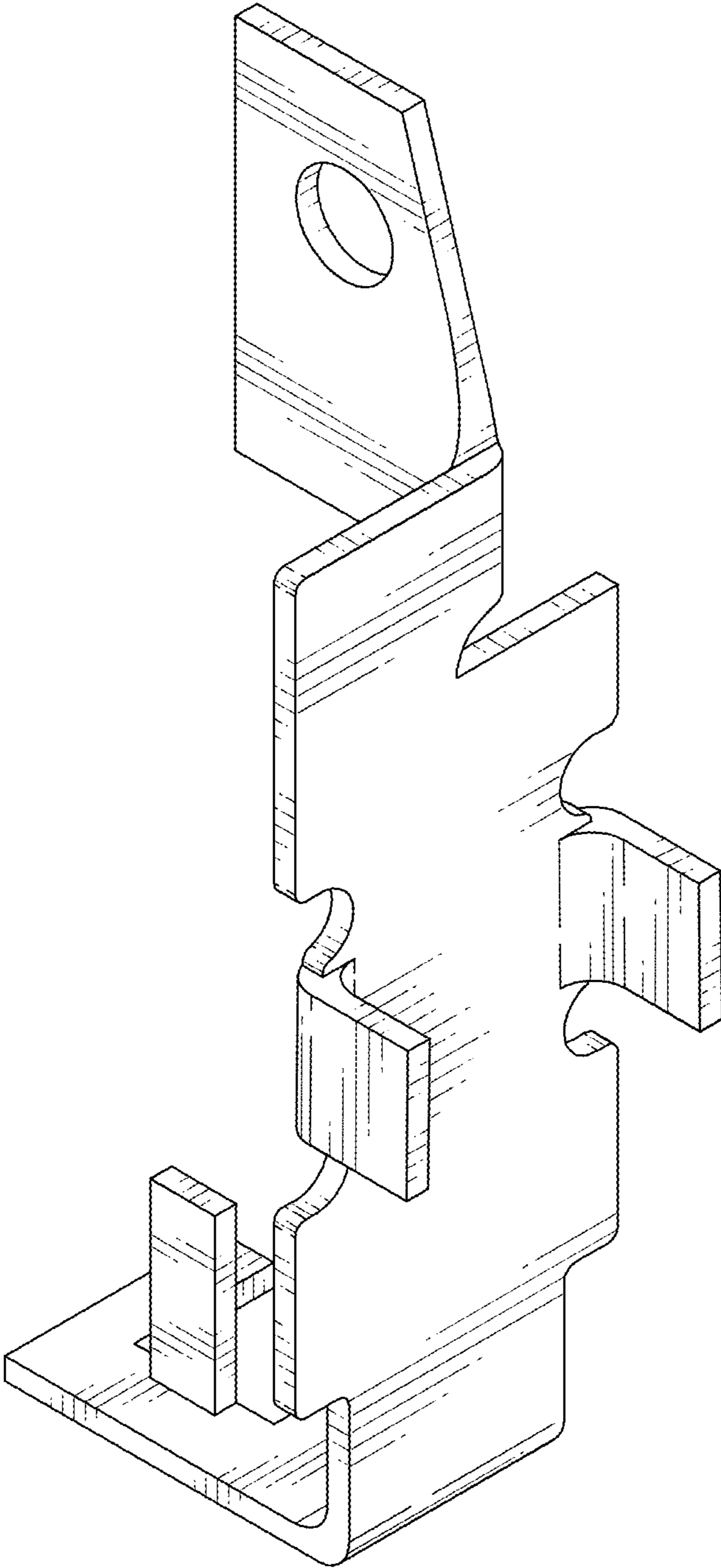


FIG. 2

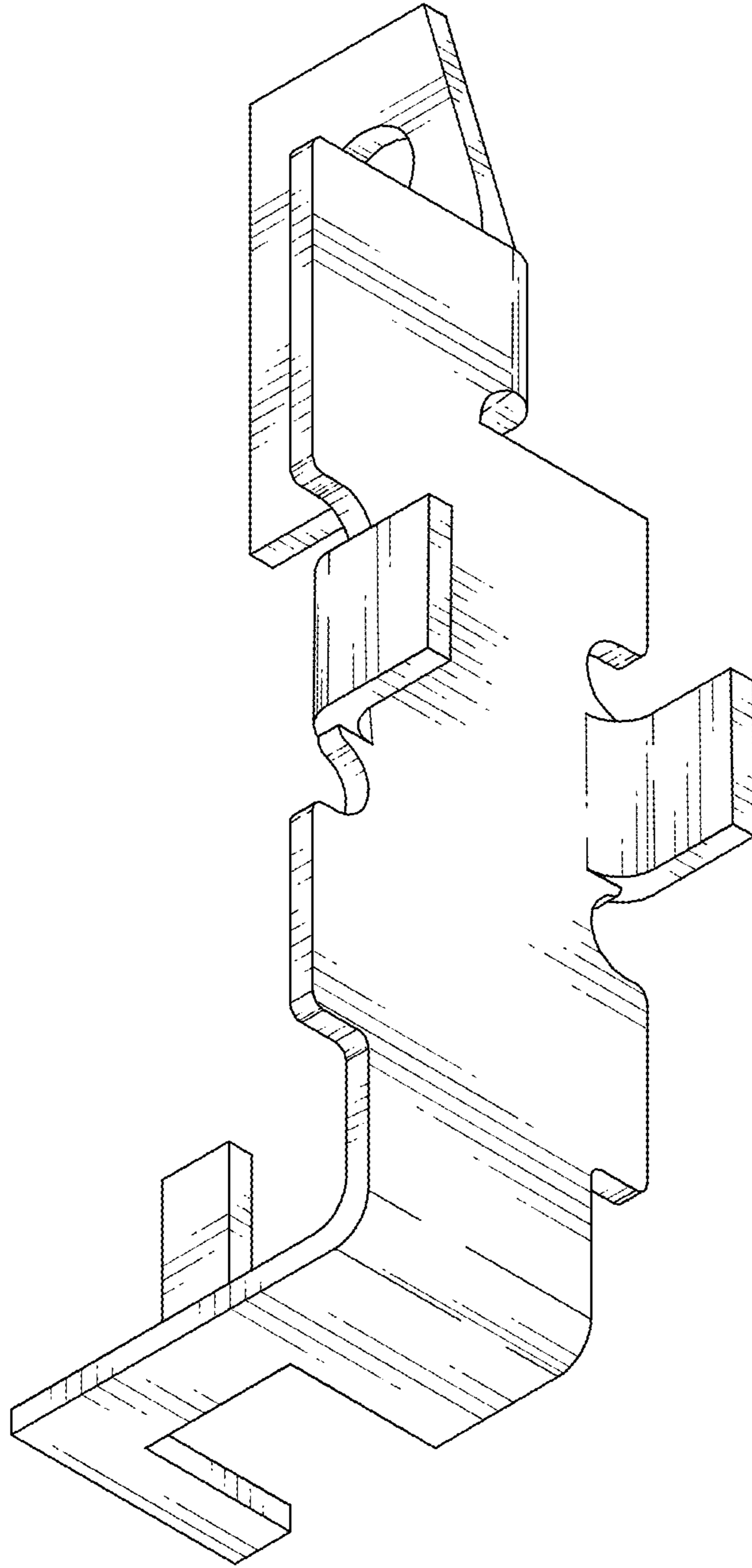


FIG. 3

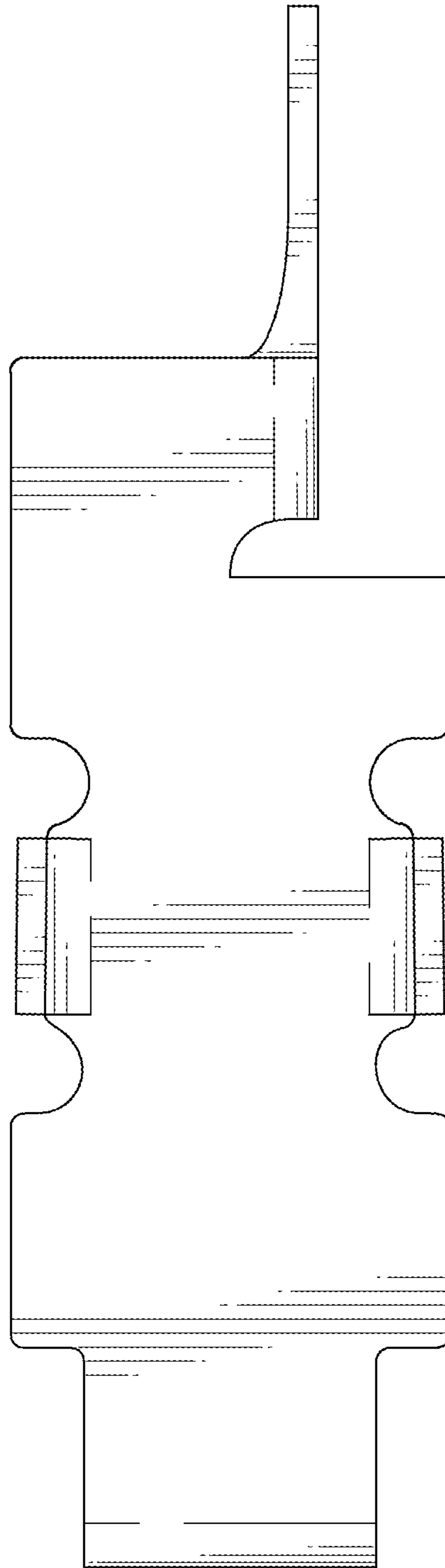


FIG. 4

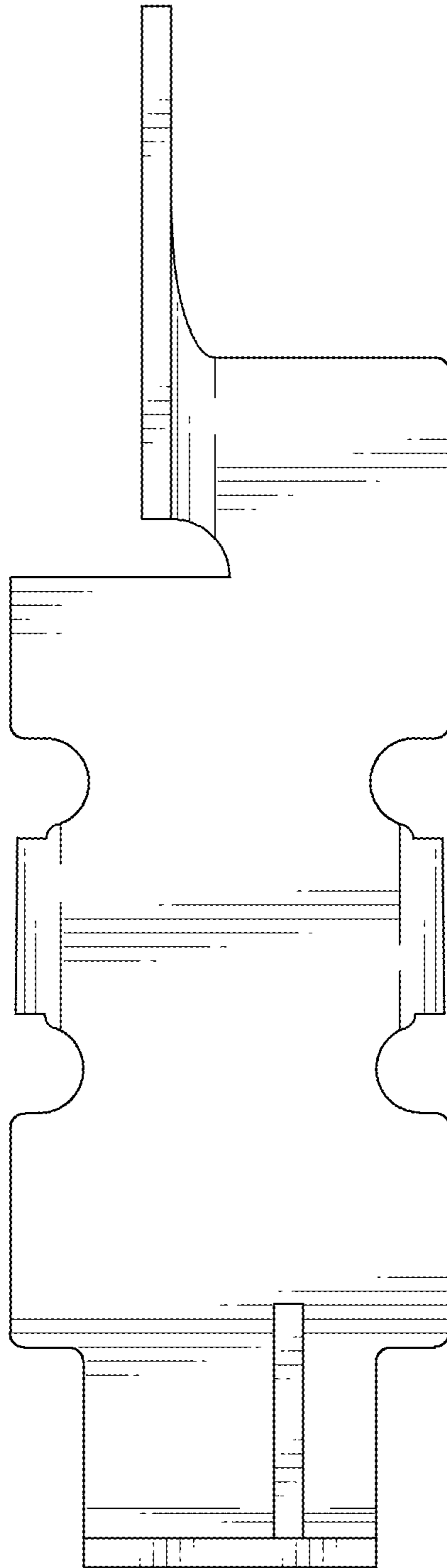


FIG. 5

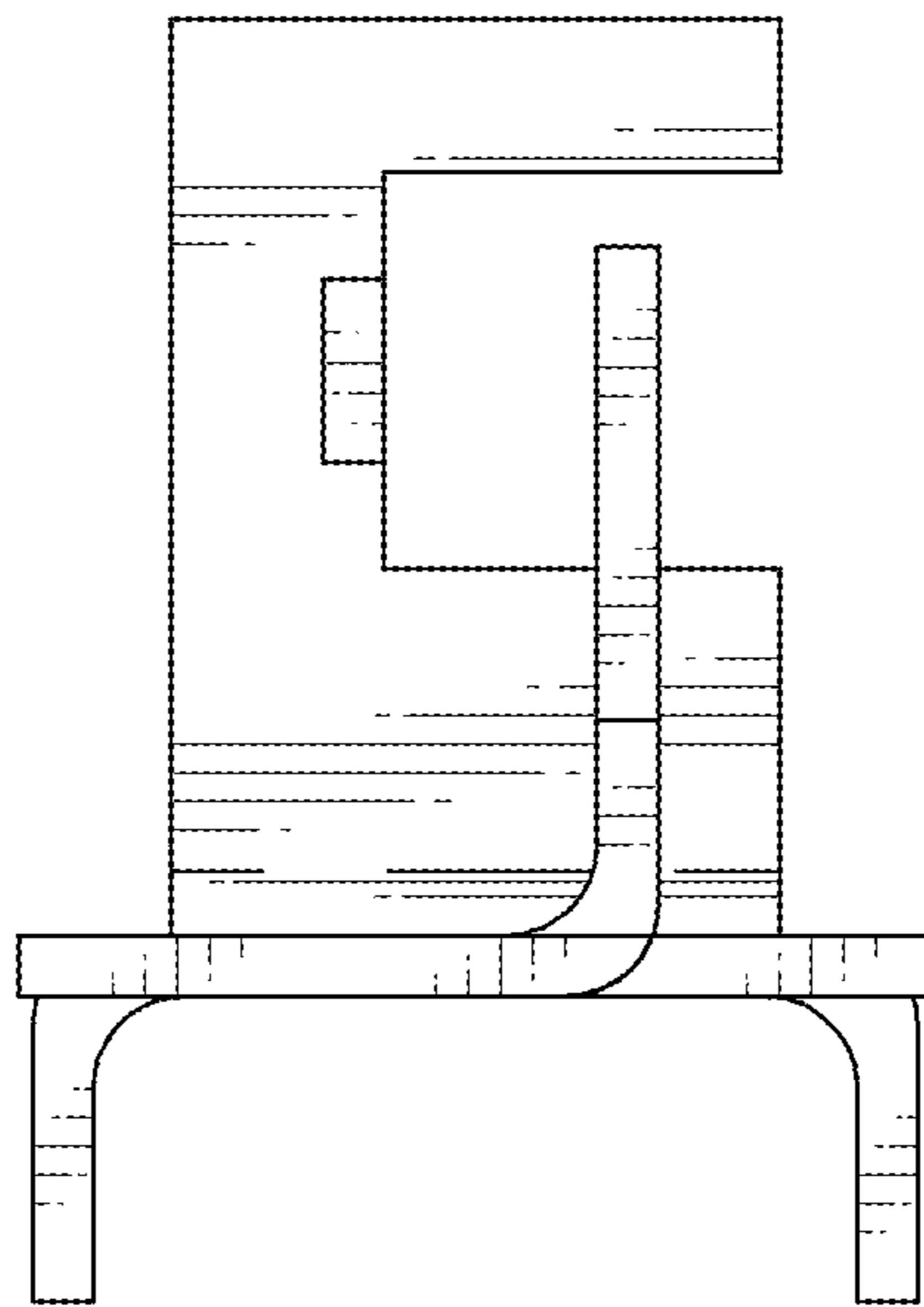


FIG. 6

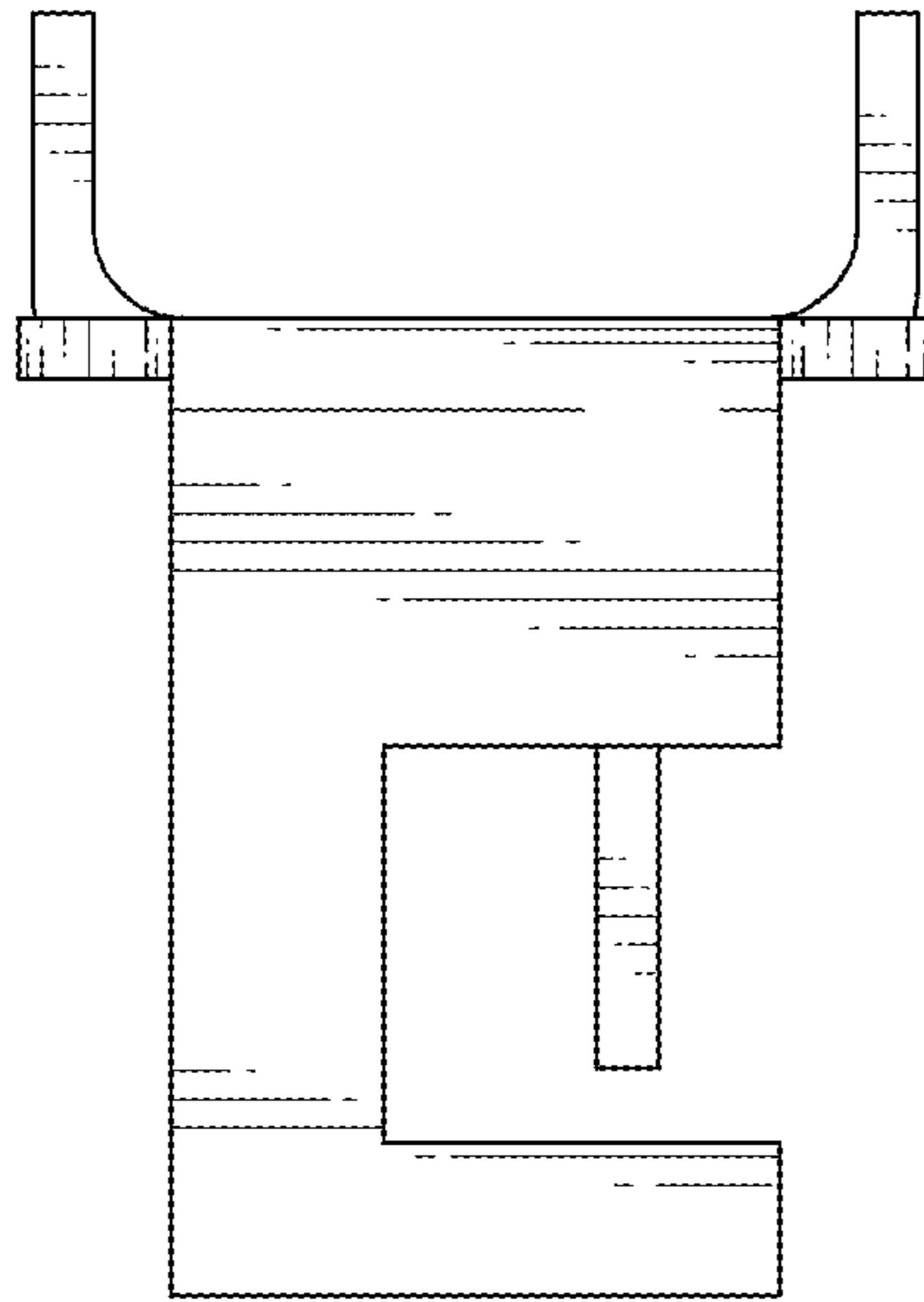


FIG. 7

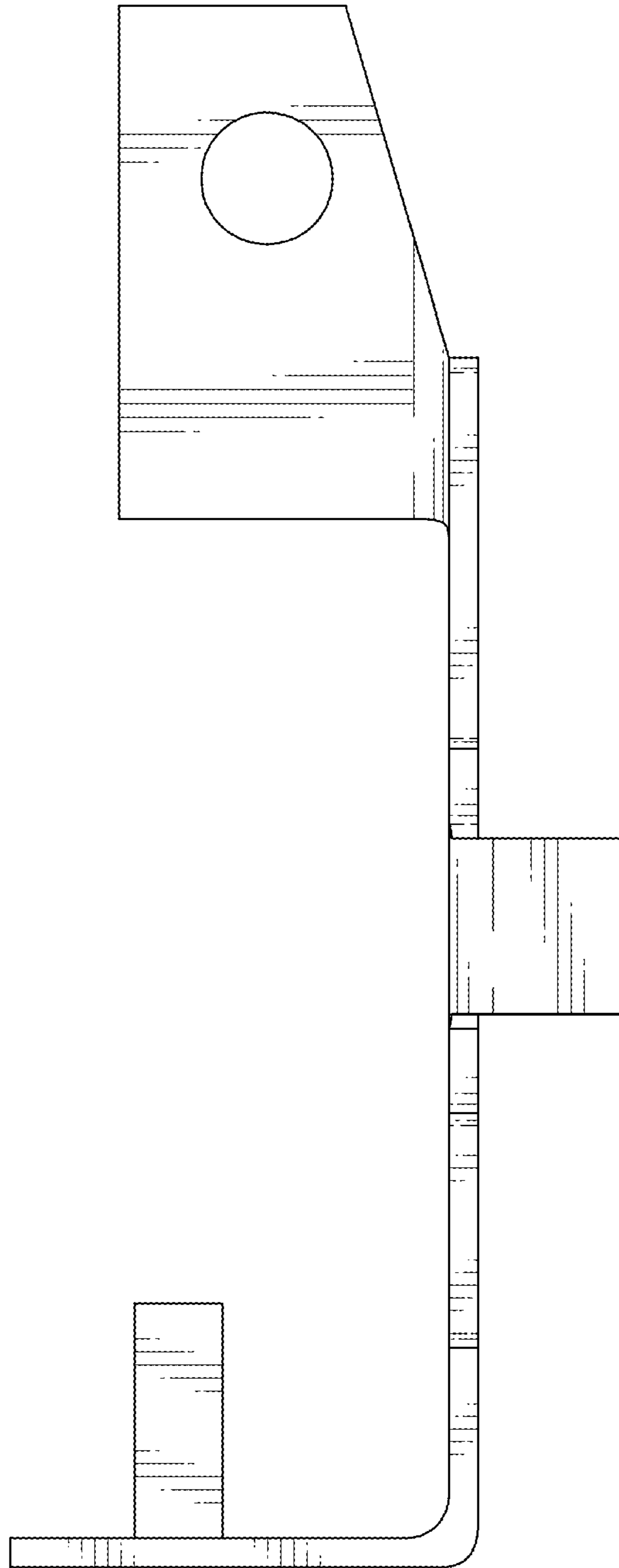


FIG. 8

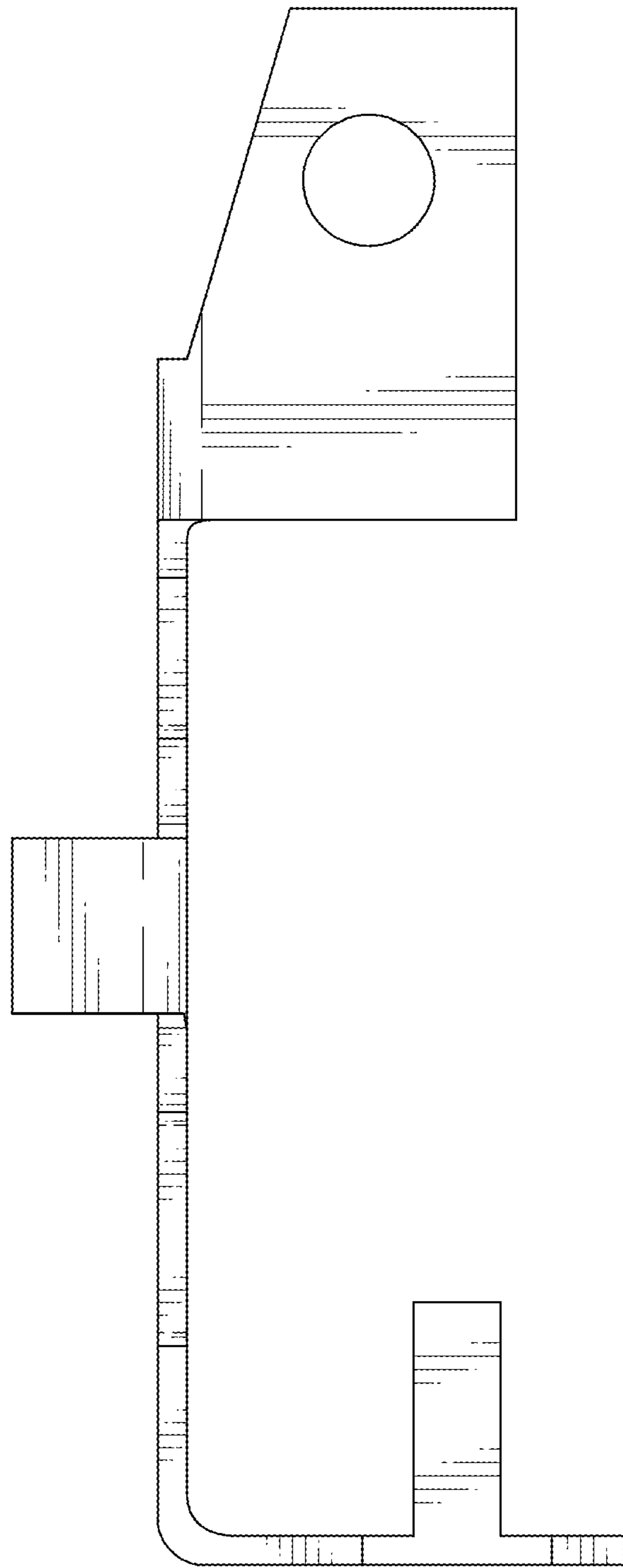


FIG. 9