



US00D889248S

(12) **United States Design Patent**
Baldwin

(10) **Patent No.:** **US D889,248 S**
(45) **Date of Patent:** **** Jul. 7, 2020**

- (54) **PARTIAL DUPLEX ADAPTER INSERT**
- (71) Applicant: **Jeffrey P. Baldwin**, Phoenix, AZ (US)
- (72) Inventor: **Jeffrey P. Baldwin**, Phoenix, AZ (US)
- (**) Term: **15 Years**
- (21) Appl. No.: **29/649,135**
- (22) Filed: **May 25, 2018**
- (51) **LOC (12) Cl.** **11-05**
- (52) **U.S. Cl.**
USPC **D8/350; D8/353**
- (58) **Field of Classification Search**
USPC D13/137.1, 154, 156, 173, 177.184;
D8/350, 353
CPC H01R 13/447; H01R 13/639; H01R
13/6395; H01R 13/6397; H01R 25/006;
H01R 31/06; H02G 3/14
See application file for complete search history.

(56) **References Cited**

U.S. PATENT DOCUMENTS

D502,687 S *	3/2005	Sherman	D13/156
7,479,598 B1 *	1/2009	Shotey	H02G 3/14 174/135
7,820,910 B1 *	10/2010	Cleghorn	H02G 3/14 174/66
7,968,794 B1 *	6/2011	Baldwin	H02G 3/18 174/66

7,977,594 B1 *	7/2011	Miserendino	H01H 21/08 200/330
8,558,111 B1 *	10/2013	Baldwin	H02G 3/14 174/66
8,563,859 B1 *	10/2013	Baldwin	H02G 3/14 174/53
D861,458 S *	10/2019	Baldwin	D8/350
D861,459 S *	10/2019	Baldwin	D8/350
2008/0293293 A1 *	11/2008	Drane	H02G 3/14 439/536

* cited by examiner

Primary Examiner — Selina Sikder

(74) *Attorney, Agent, or Firm* — Booth Udall Fuller, PLC

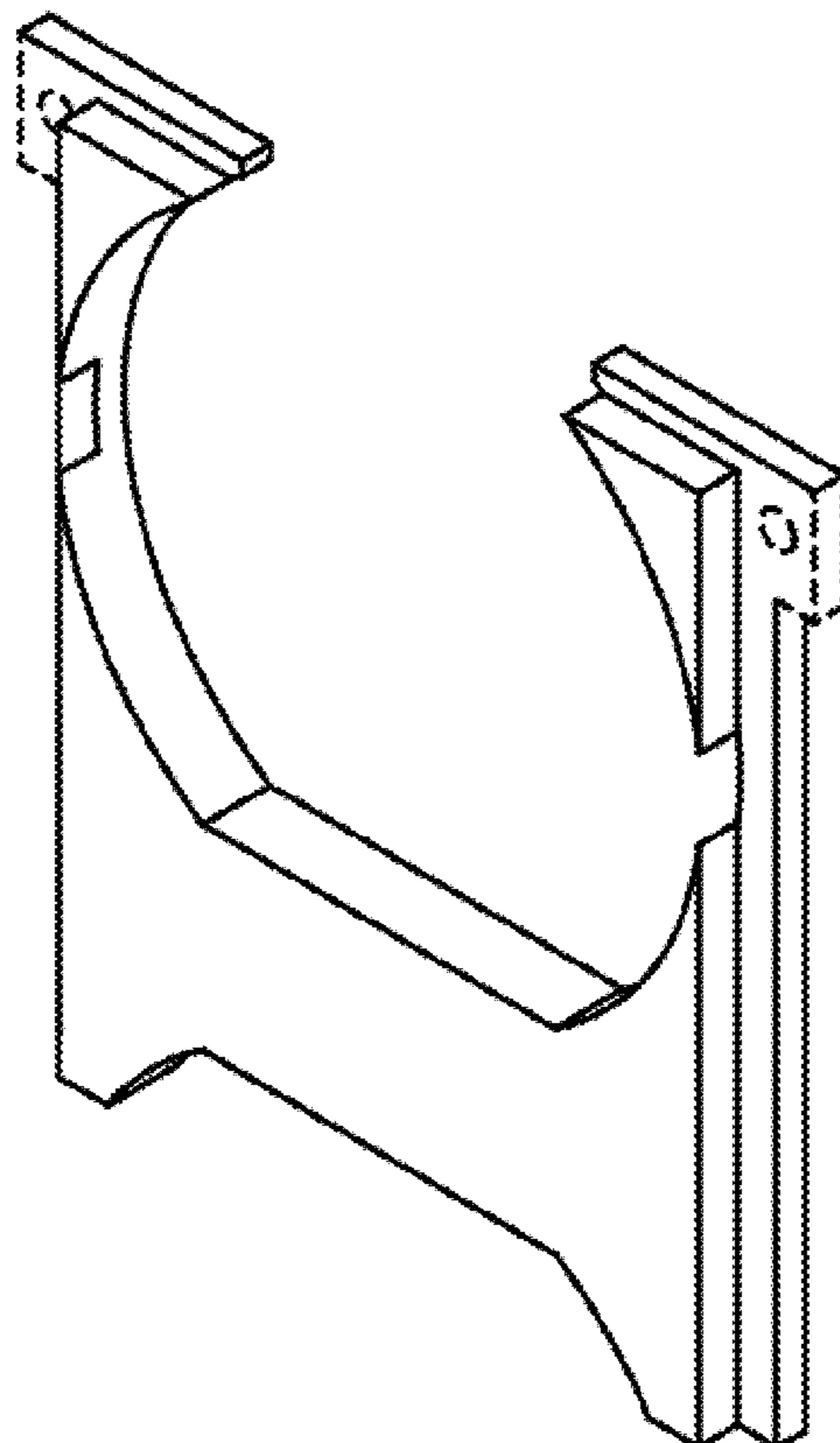
(57) **CLAIM**

The ornamental design for a partial duplex adapter insert, as shown and described.

DESCRIPTION

FIG. 1 is a top view of a partial duplex adapter insert;
 FIG. 2 is a left side view thereof;
 FIG. 3 is a front view thereof;
 FIG. 4 is a right side view thereof;
 FIG. 5 is a rear view thereof;
 FIG. 6 is a bottom view thereof; and,
 FIG. 7 is a front perspective view thereof.
 The broken lines are included for the purpose of illustrating environmental features and form no part of the claimed design.

1 Claim, 1 Drawing Sheet



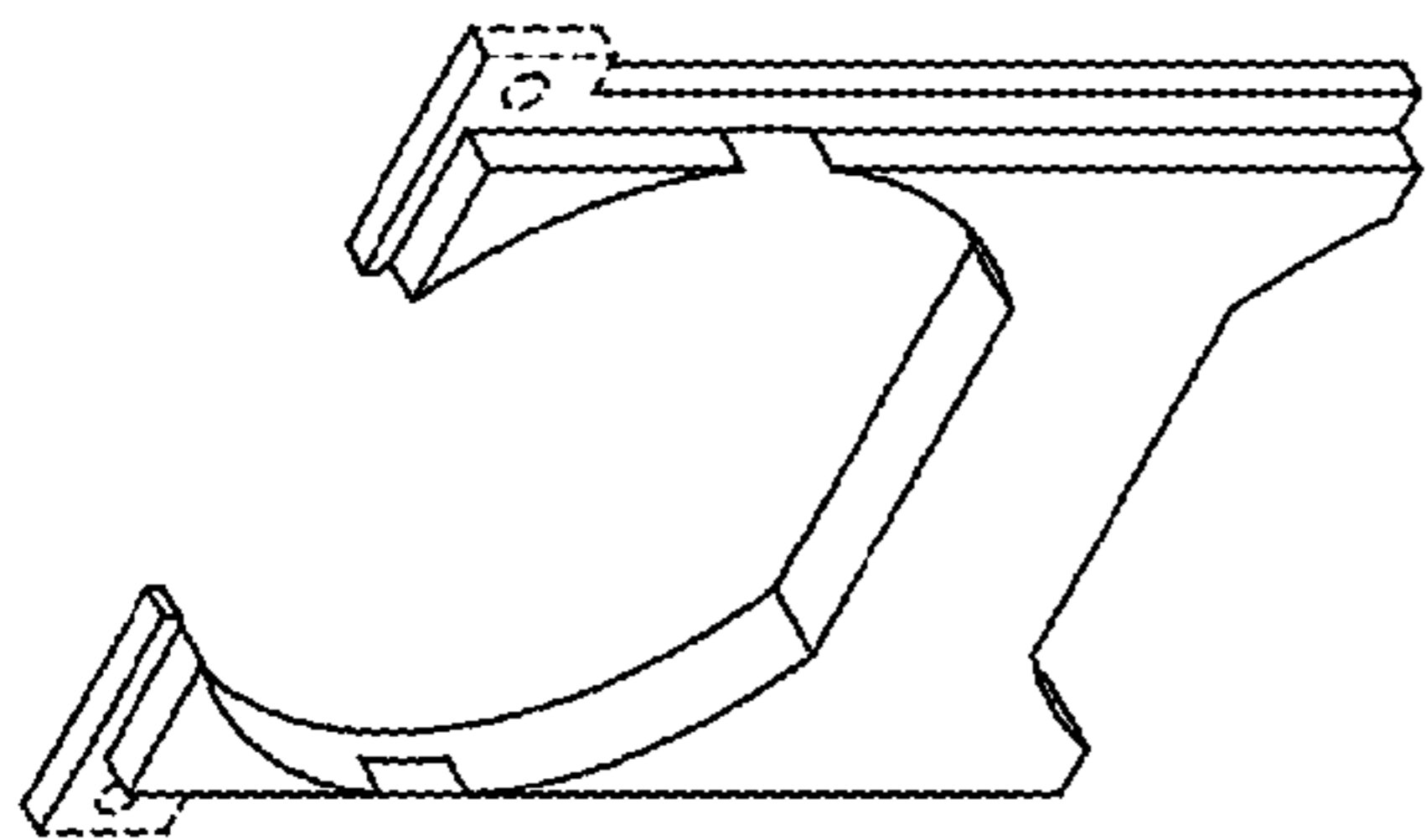


FIG. 7

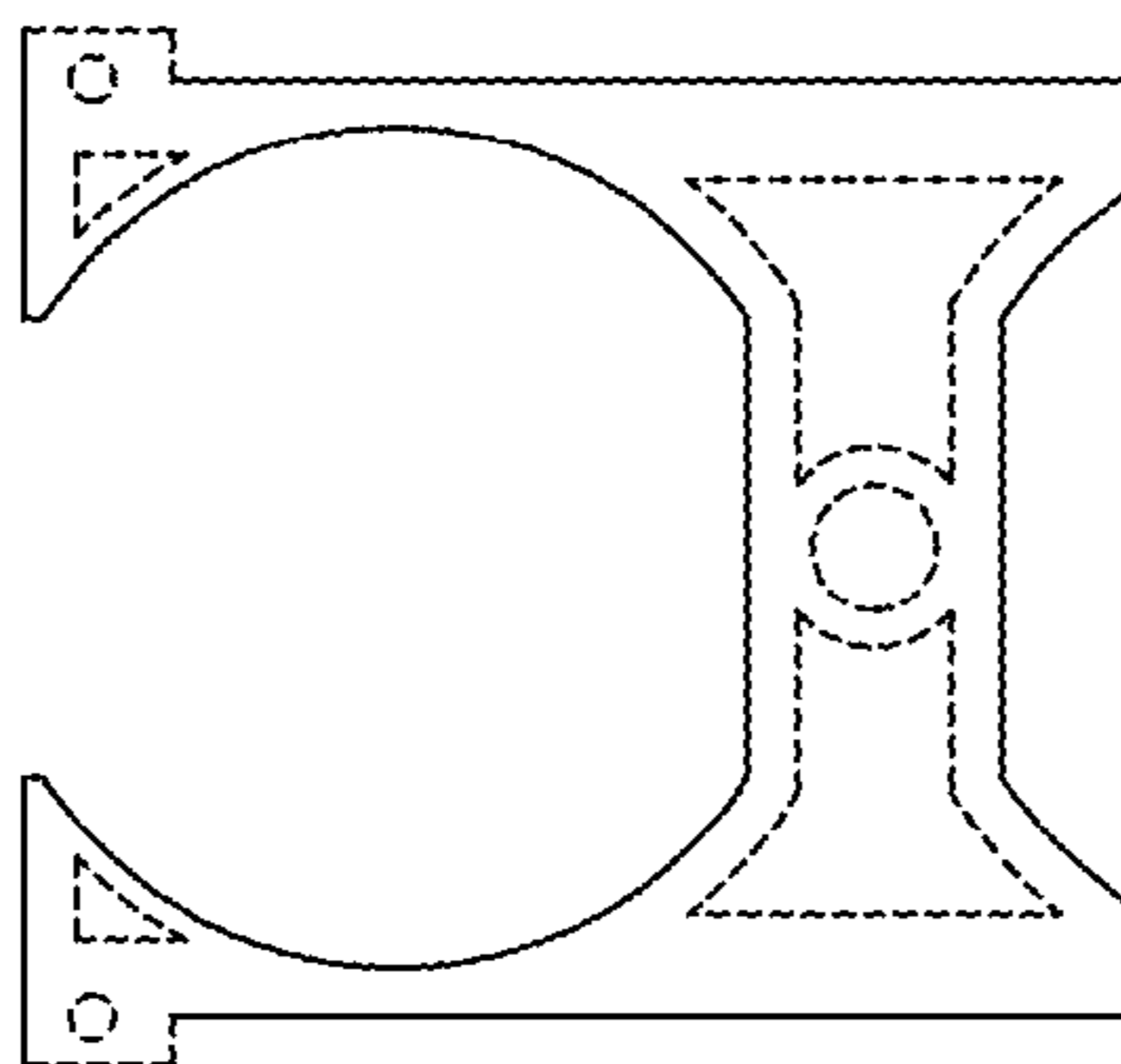


FIG. 5



FIG. 4



FIG. 1

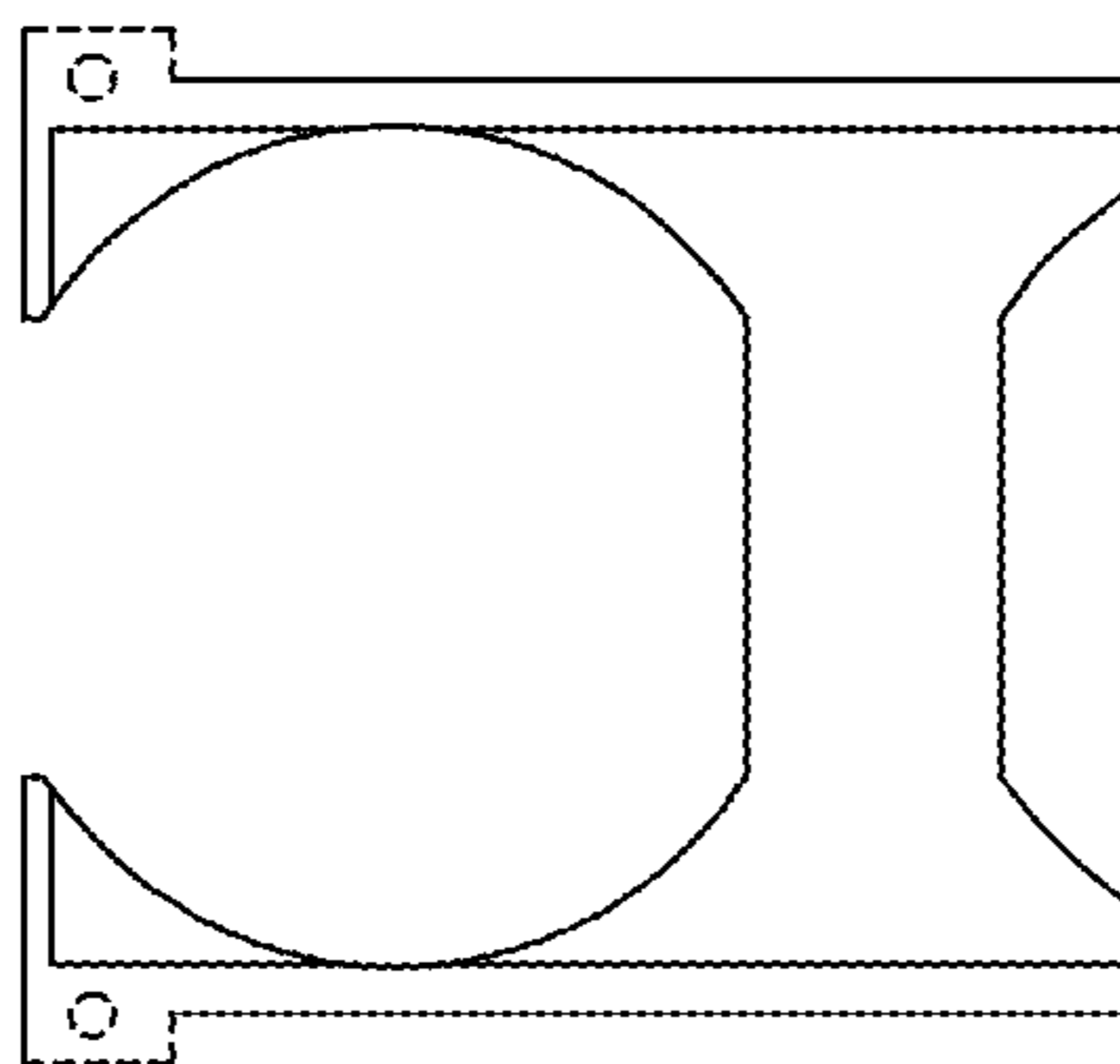


FIG. 3

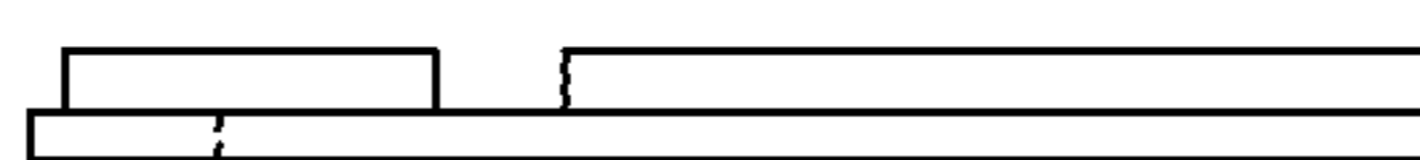


FIG. 2



FIG. 6