



US00D889247S

(12) **United States Design Patent**
Baltz, Jr. et al.

(10) **Patent No.:** **US D889,247 S**
(45) **Date of Patent:** **** Jul. 7, 2020**

(54) **VENTILATION SCREED CONNECTOR**

(71) Applicant: **Alabama Metal Industries Corporation**, Birmingham, AL (US)

(72) Inventors: **Gary George Baltz, Jr.**, Mountain Brook, AL (US); **Frederic C. Mayer, Jr.**, Hoover, AL (US)

(73) Assignee: **ALABAMA METAL INDUSTRIES CORPORATION**

(**) Term: **15 Years**

(21) Appl. No.: **29/703,679**

(22) Filed: **Aug. 29, 2019**

Related U.S. Application Data

(63) Continuation of application No. 16/194,775, filed on Nov. 19, 2018, now Pat. No. 10,533,324.

(51) **LOC (12) Cl.** **08-08**

(52) **U.S. Cl.**
USPC **D8/349**; D25/199

(58) **Field of Classification Search**
USPC D25/119–123, 164, 199; D8/349, 354, D8/376, 377, 382, 383, 394, 395, D8/400–403; D12/220, 221; D26/138
CPC E04B 1/00; E04B 1/38; E04B 1/40; E04B 1/54; E04B 1/58; E04B 1/5806; E04B 1/5818; E04B 2001/405
See application file for complete search history.

(56) **References Cited**

U.S. PATENT DOCUMENTS

D47,727 S * 8/1915 Heulings D25/119
D47,729 S * 8/1915 Heulings D25/119

2,131,115 A * 9/1938 Naisuler E06B 3/30
D25/119
D236,026 S * 7/1975 McCracken D25/199
D239,082 S * 3/1976 Manning D8/383
D360,038 S * 7/1995 Bancroft D25/119
D402,534 S * 12/1998 McCoy D8/354
D455,504 S * 4/2002 Foster D25/164
D473,662 S * 4/2003 Shaw D25/119
D556,560 S * 12/2007 Tsuda D8/382
D607,125 S * 12/2009 Dudash D25/164
D724,239 S * 3/2015 Stanfill D25/119
9,068,355 B1 * 6/2015 Ksiezopolski E04F 19/02
D764,075 S * 8/2016 Honda D25/119
D800,343 S * 10/2017 Stanfill D25/119

* cited by examiner

Primary Examiner — Llorellys Martinez

(74) *Attorney, Agent, or Firm* — Jennifer Meredith, Esq.;
Lippes Mathias Wexler Friedman, LLP

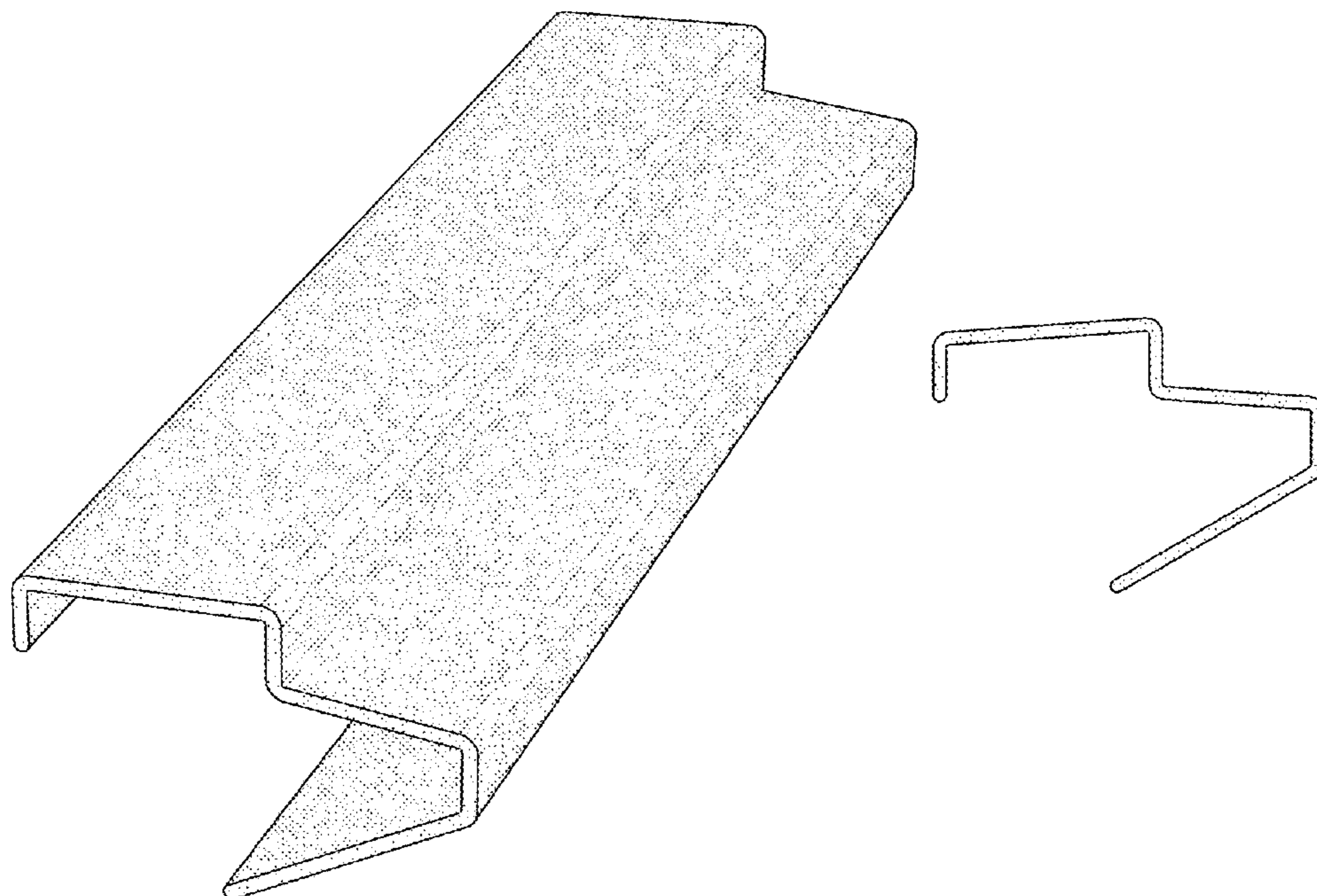
(57) **CLAIM**

The ornamental design for a ventilation screed connector, as shown and described.

DESCRIPTION

FIG. 1 is a top, front perspective view of a ventilation screed connector showing our new design;
FIG. 2 is a top, rear perspective view of the ventilation screed connector;
FIG. 3 is a top view of the ventilation screed connector;
FIG. 4 is a bottom view of the ventilation screed connector;
FIG. 5 is a left side view of the ventilation screed connector;
FIG. 6 is a right side view of the ventilation screed connector;
FIG. 7 is a top view of the ventilation screed connector; and,
FIG. 8 is a bottom view of the ventilation screed connector.

1 Claim, 8 Drawing Sheets



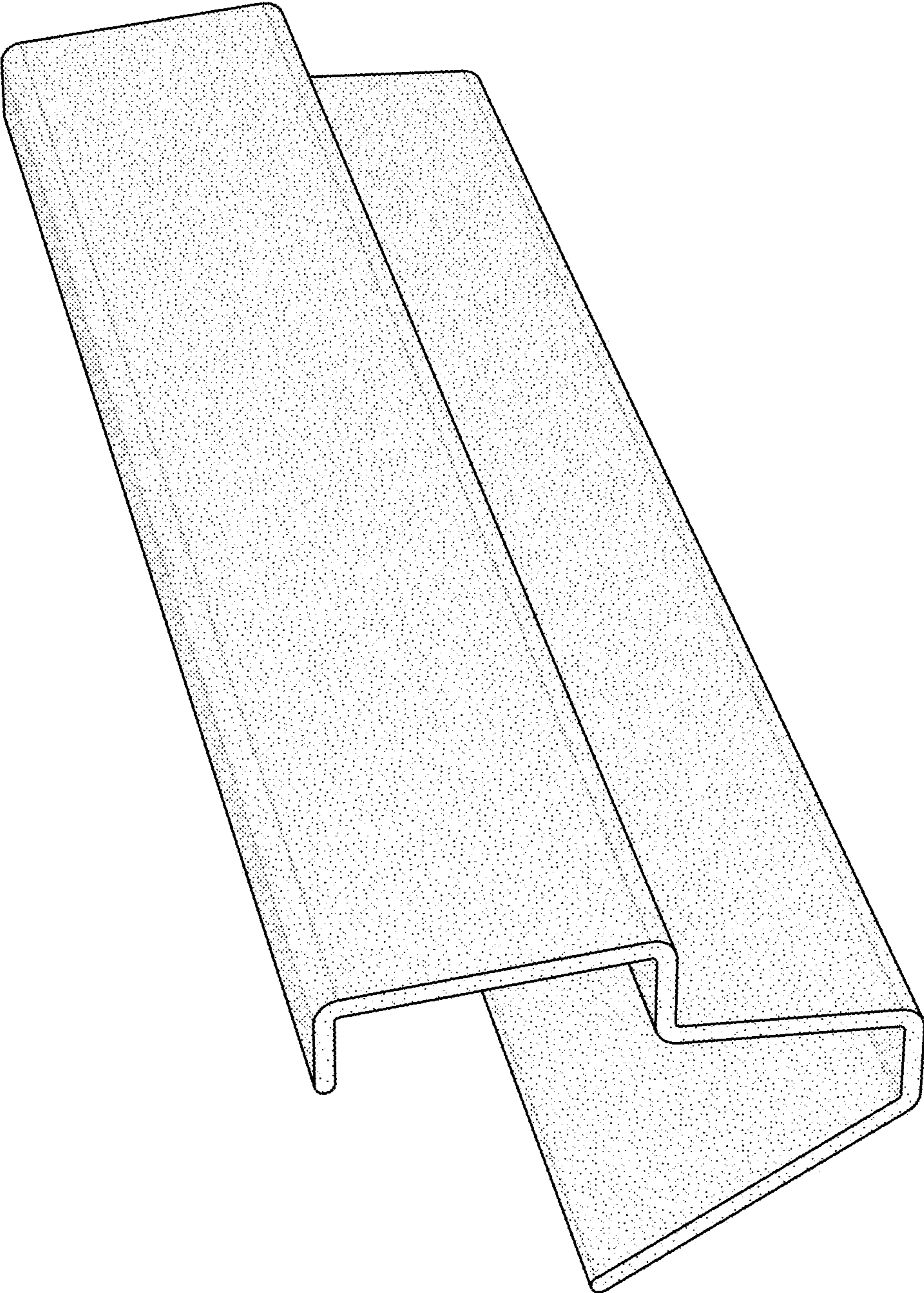


FIG.1

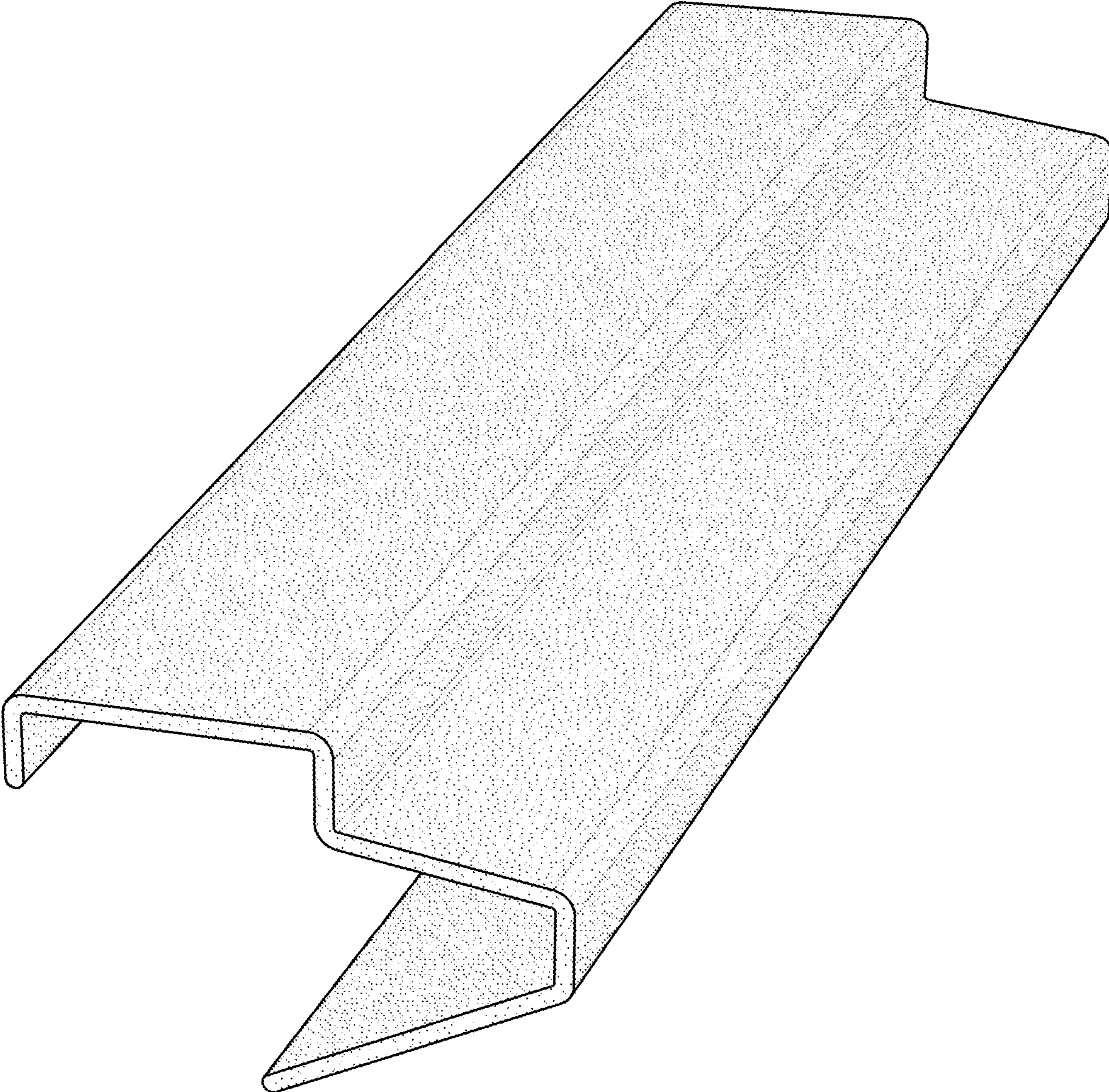


FIG.2

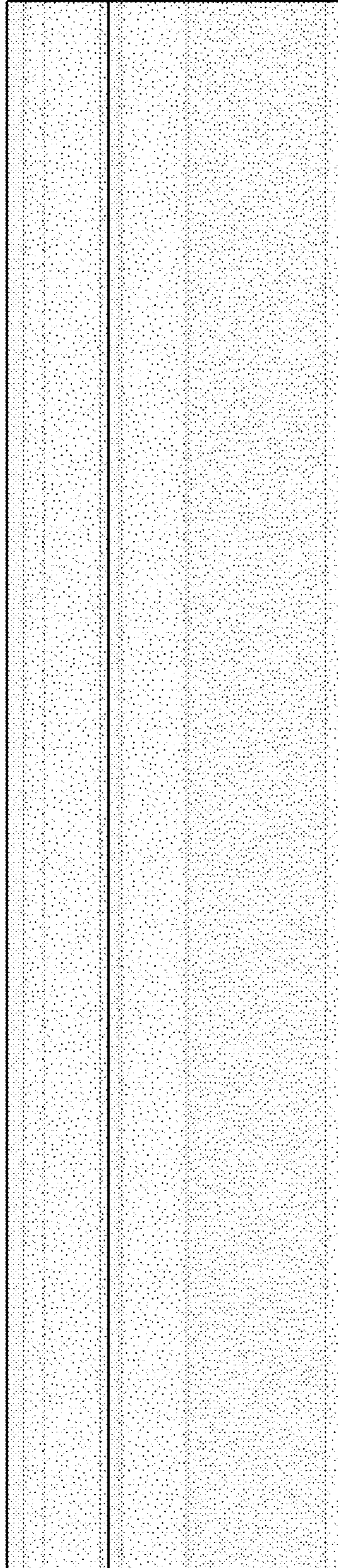


FIG.3

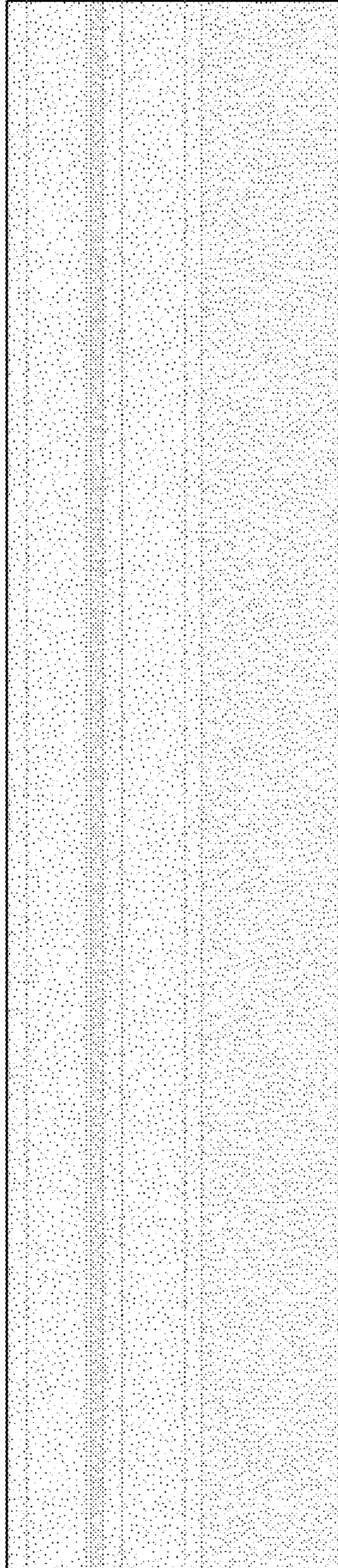


FIG.4

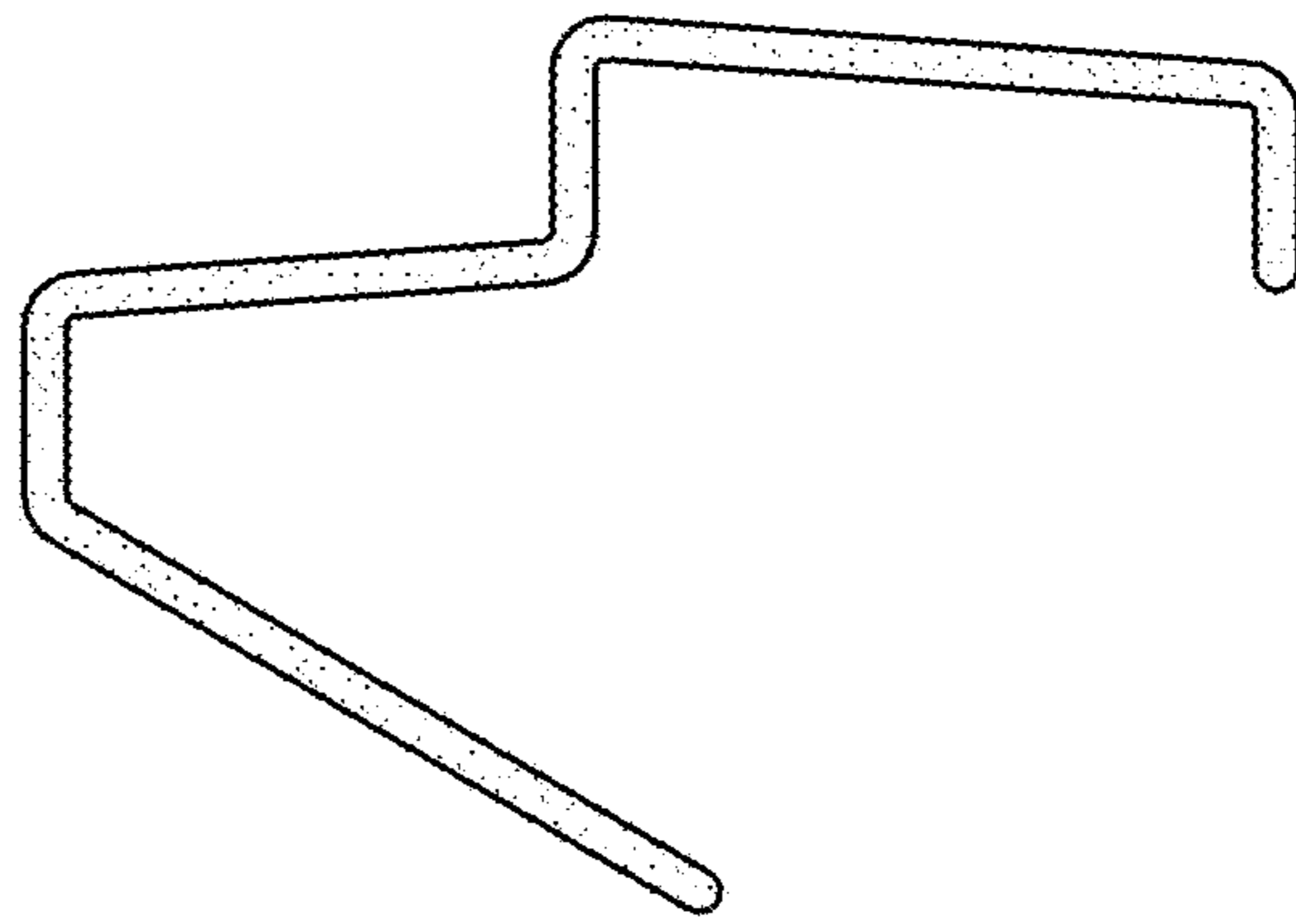


FIG.5

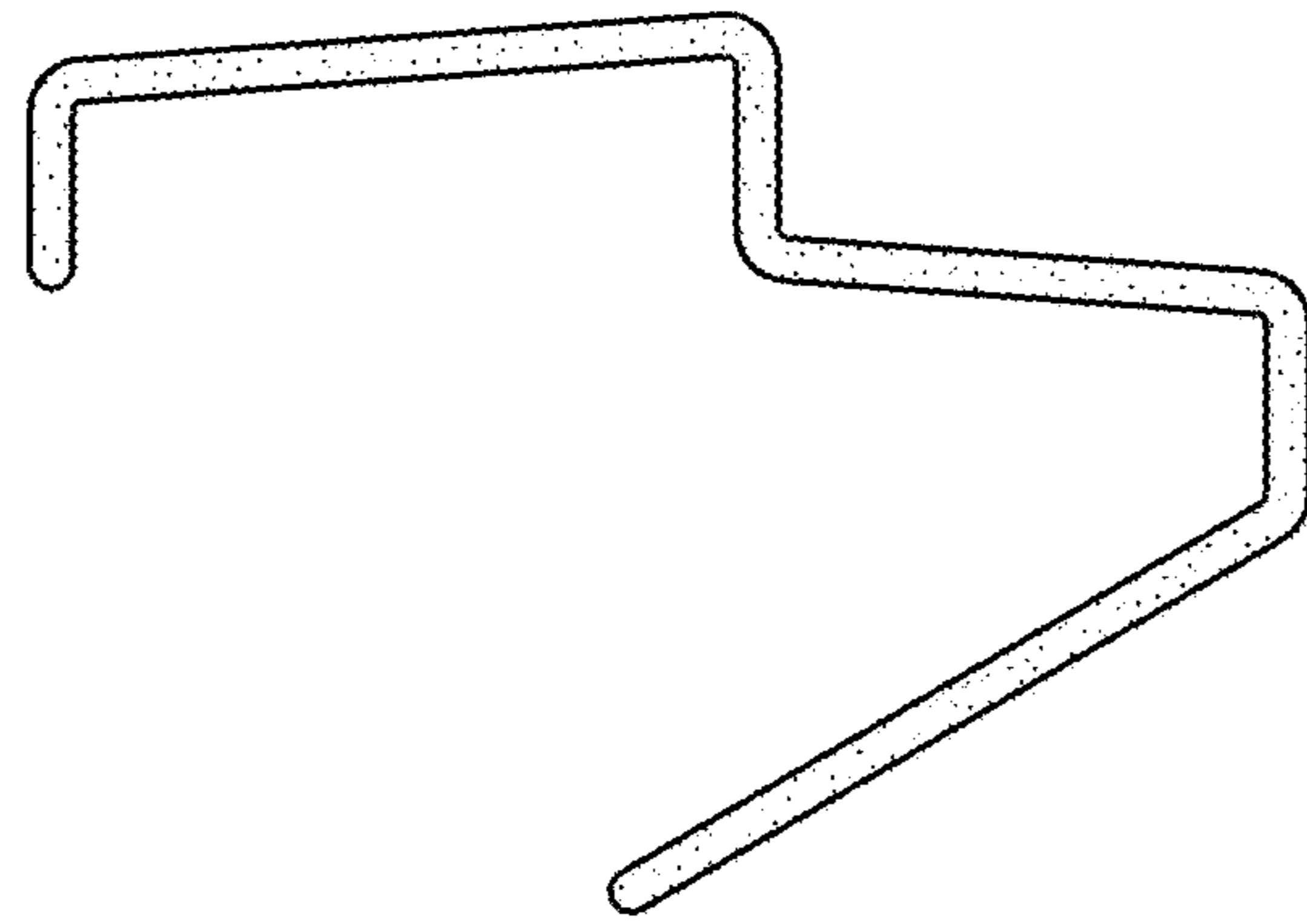


FIG.6

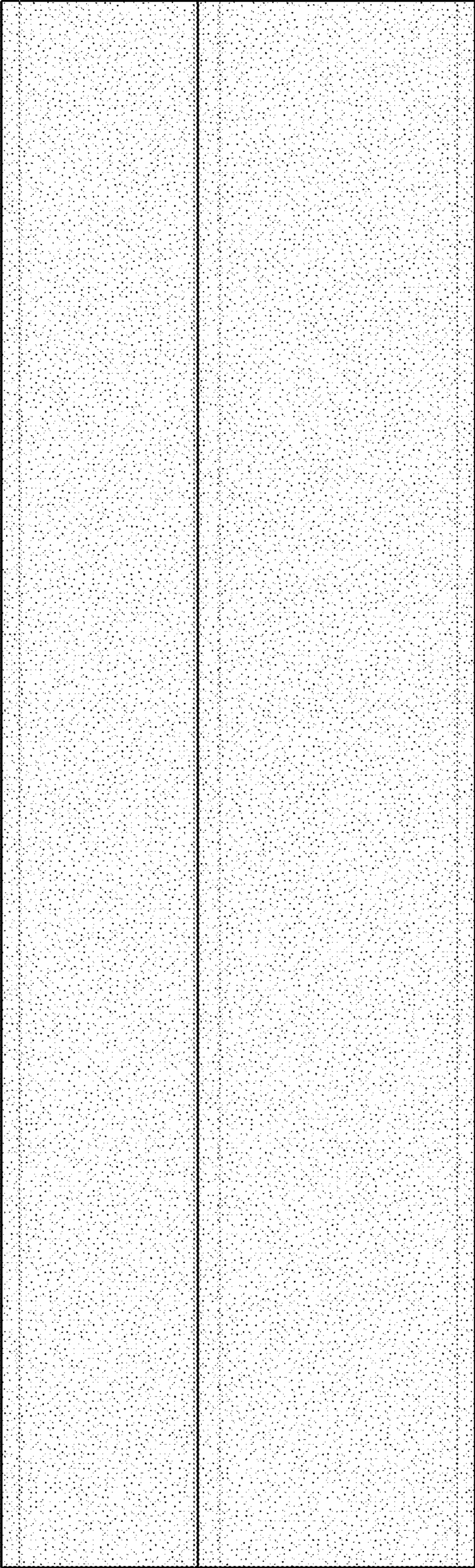


FIG.7

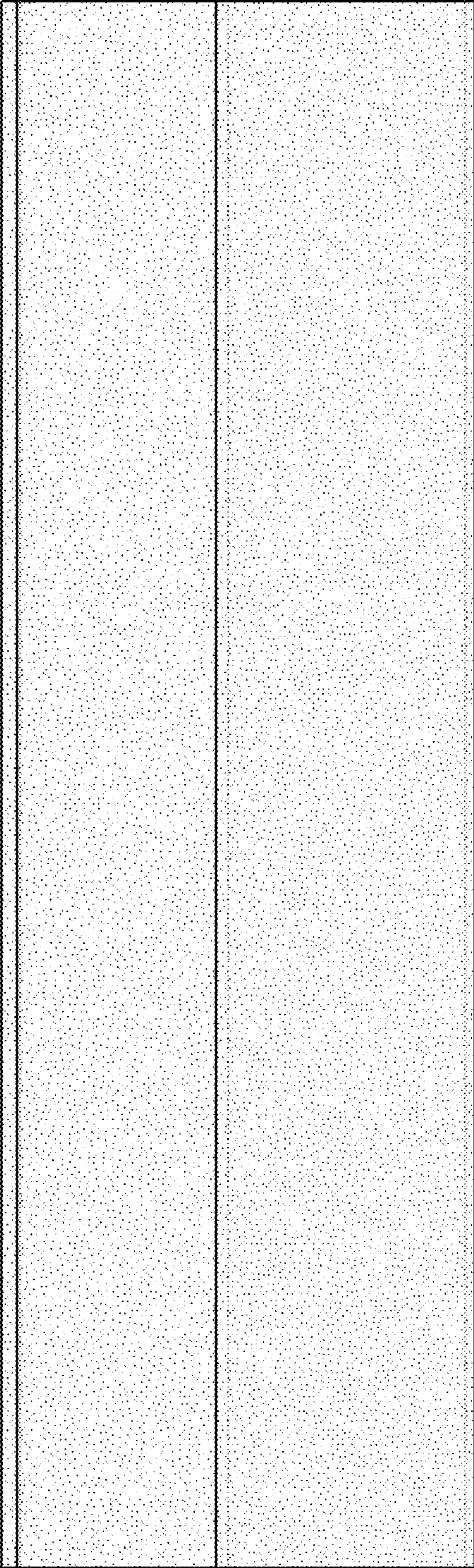


FIG.8