



US00D889246S

(12) **United States Design Patent**
Guo et al.

(10) **Patent No.:** **US D889,246 S**

(45) **Date of Patent:** **** Jul. 7, 2020**

(54) **MECHATRONIC KEY**

(56) **References Cited**

(71) Applicant: **WIMA TECHNOLOGY (ZHUHAI) CO., LTD.**, Zhuhai (CN)

U.S. PATENT DOCUMENTS

(72) Inventors: **Xinji Guo**, Zhuhai (CN); **Junchun Deng**, Zhuhai (CN); **Zhenyan Lin**, Zhuhai (CN)

D357,852 S *	5/1995	Shen	D8/347
D370,168 S *	5/1996	Widen	D8/347
D702,527 S *	4/2014	Yashar	D8/347
9,243,426 B2 *	1/2016	Gerlings	E05B 19/0017
9,739,075 B2 *	8/2017	Baki	B22D 21/025

(73) Assignee: **WIMA TECHNOLOGY (ZHUHAI) CO., LTD.**, Zhuhai (CN)

* cited by examiner

(**) Term: **15 Years**

Primary Examiner — Doris Clark

(21) Appl. No.: **29/653,938**

(74) *Attorney, Agent, or Firm* — Bayramoglu Law Offices LLC

(22) Filed: **Jun. 20, 2018**

(57) **CLAIM**

The ornamental design for a mechatronic key, as shown and described.

(30) **Foreign Application Priority Data**

DESCRIPTION

Apr. 8, 2018 (CN) 2018 3 0137527

FIG. 1 is a front view of a mechatronic key showing the new design;

(51) **LOC (12) Cl.** **08-07**

FIG. 2 is a rear view thereof;

(52) **U.S. Cl.**

FIG. 3 is a left side view thereof;

USPC **D8/347**

FIG. 4 is a right side view thereof;

(58) **Field of Classification Search**

FIG. 5 is a top view thereof;

USPC D8/347

FIG. 6 is a bottom view thereof;

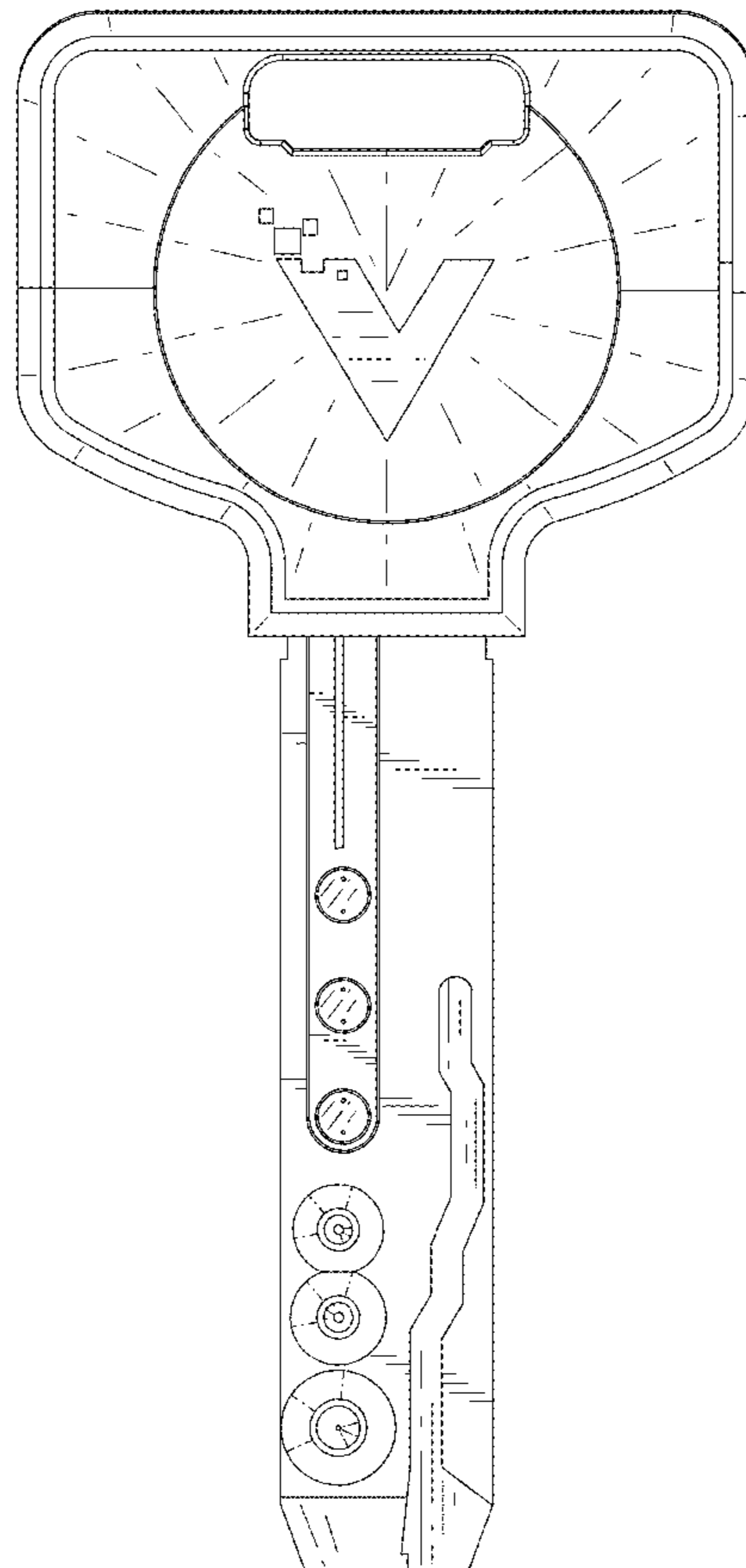
CPC .. E05B 19/24; E05B 19/0017; E05B 19/0041;
E05B 19/0052; E05B 19/0058; E05B
19/00

FIG. 7 is a perspective view thereof; and,

FIG. 8 is another perspective view thereof.

See application file for complete search history.

1 Claim, 8 Drawing Sheets



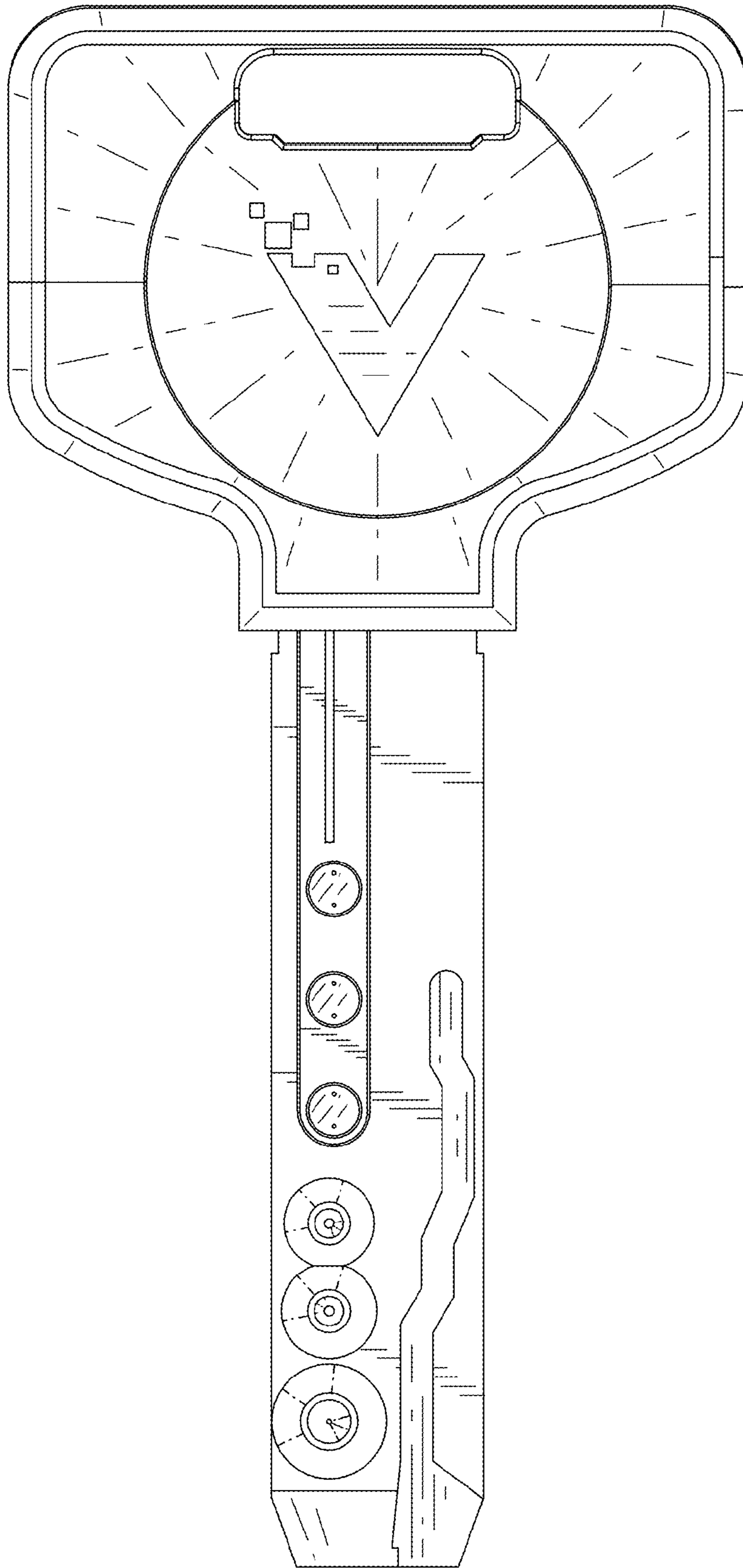


FIG. 1

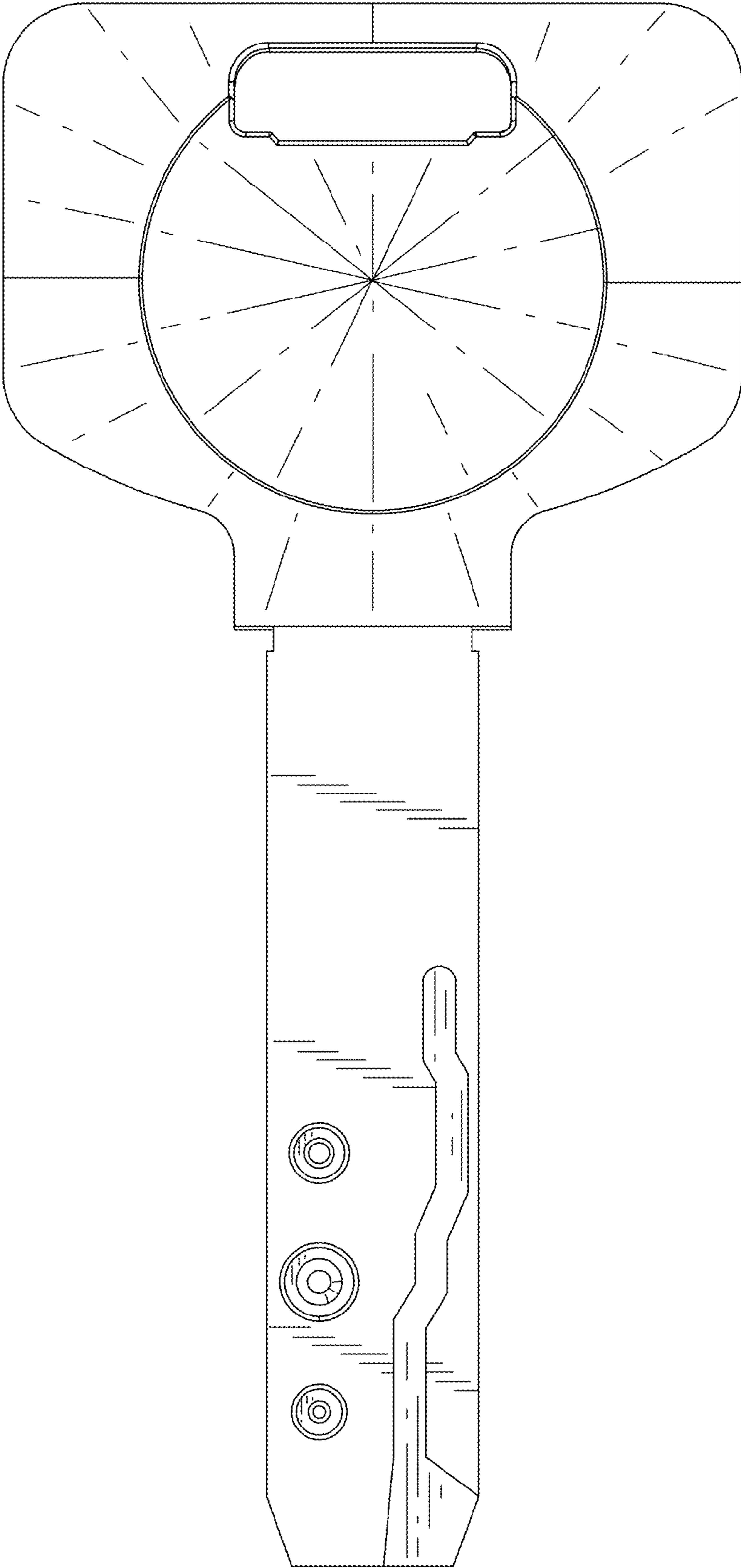


FIG. 2

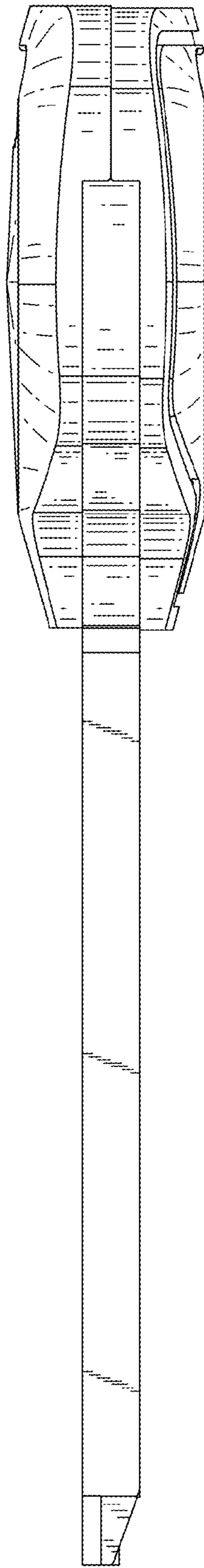


FIG. 3

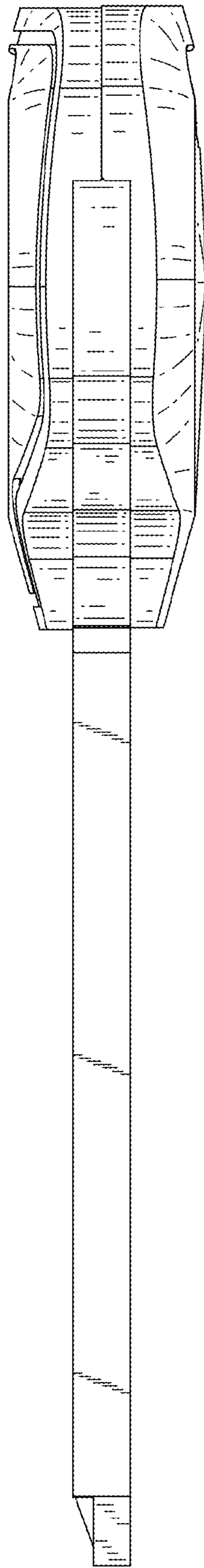


FIG. 4

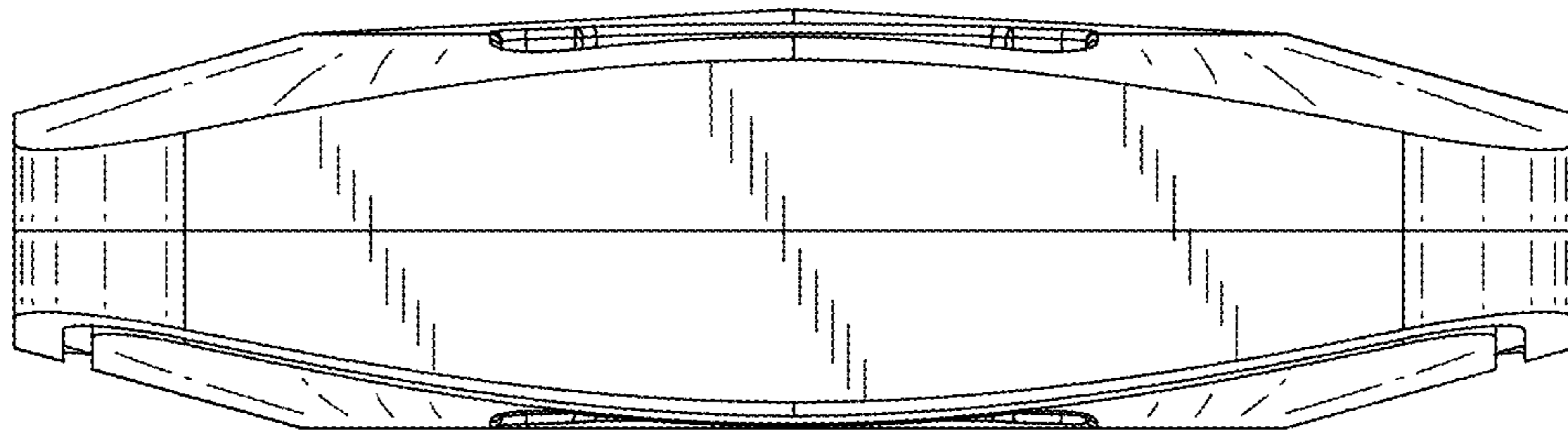


FIG. 5

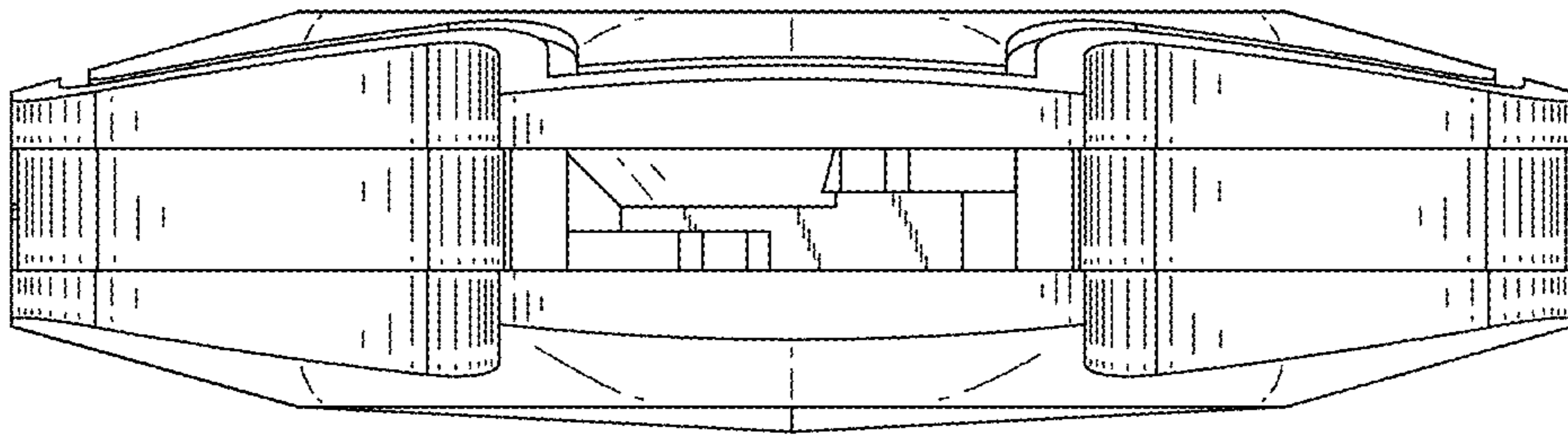


FIG. 6

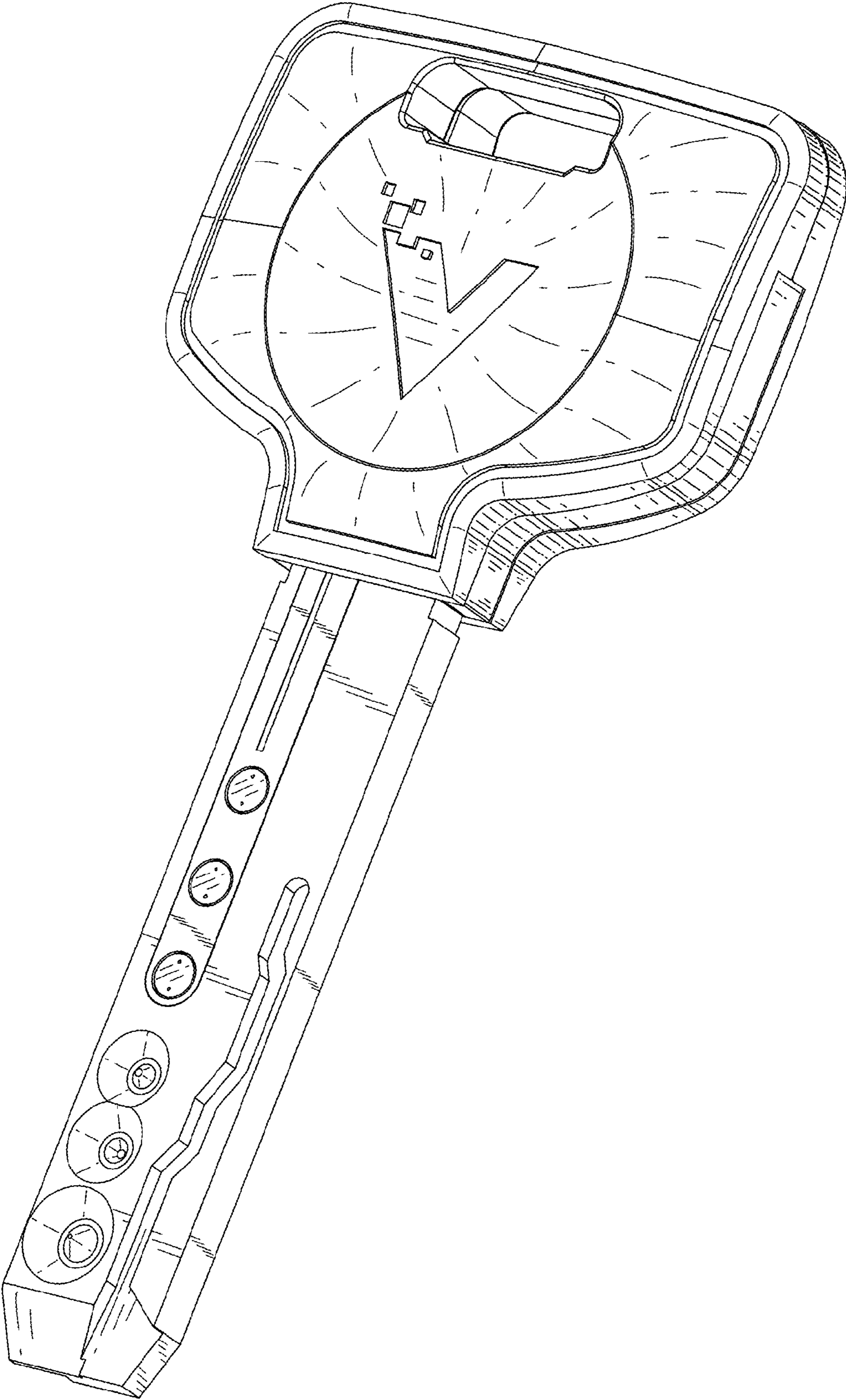


FIG. 7

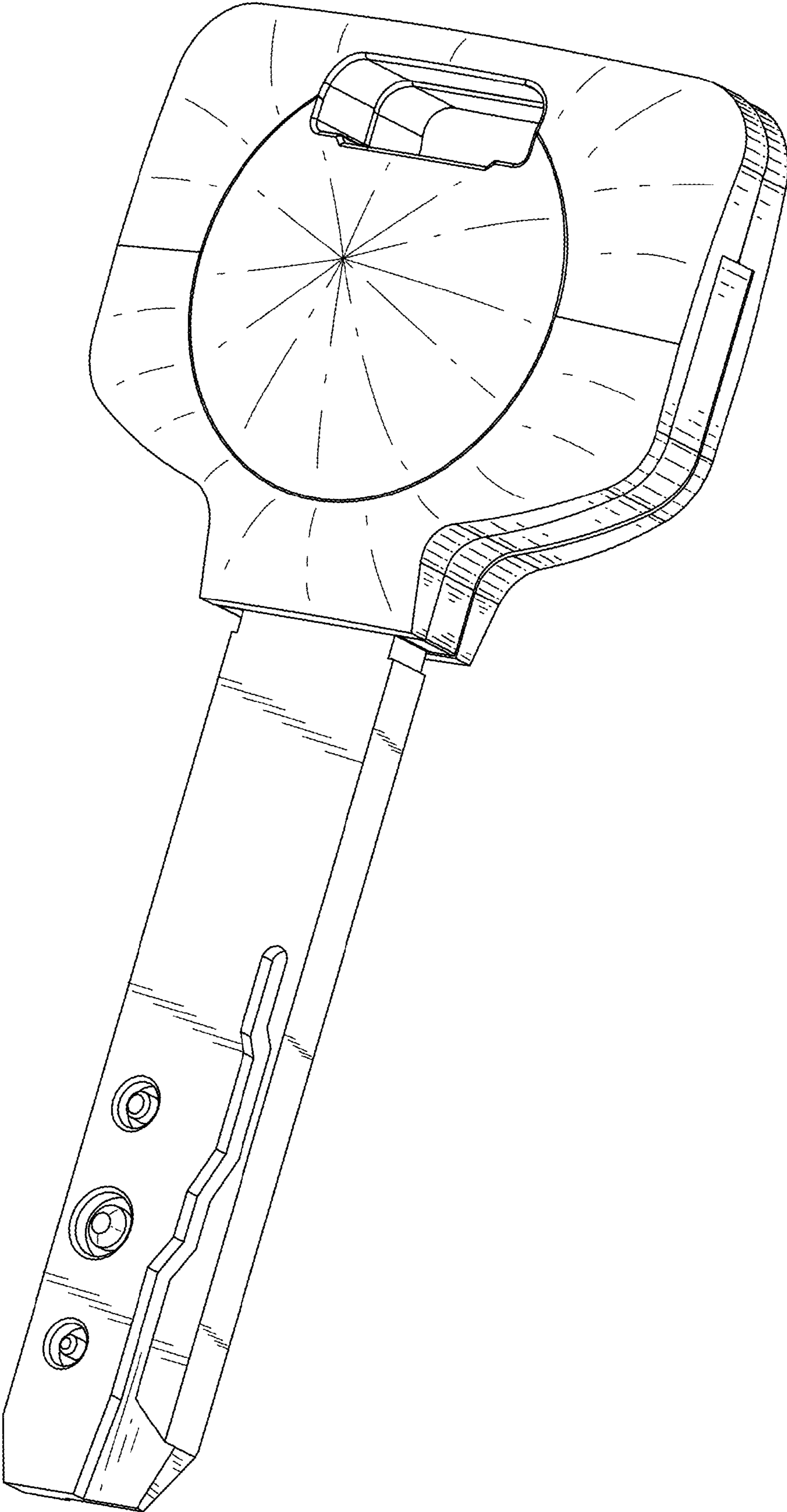


FIG. 8