



US00D889245S

(12) **United States Design Patent**
Luebeck et al.

(10) **Patent No.:** **US D889,245 S**
(45) **Date of Patent:** **** Jul. 7, 2020**

- (54) **LOCKING DEVICE**
- (71) Applicant: **Carrier Corporation**, Palm Beach Gardens, FL (US)
- (72) Inventors: **Jon Marc Luebeck**, Stayton, OR (US);
Bonnie McClure, Salem, OR (US);
Steve Switzer, Atlanta, GA (US)
- (73) Assignee: **CARRIER CORPORATION**, Palm Beach Gardens, FL (US)
- (**) Term: **15 Years**
- (21) Appl. No.: **29/657,341**
- (22) Filed: **Jul. 20, 2018**
- (51) **LOC (12) Cl.** **08-07**
- (52) **U.S. Cl.**
USPC **D8/331**
- (58) **Field of Classification Search**
USPC D8/301, 302, 330, 331, 308, 350, 351,
D8/352, 353
CPC ... E05B 9/00; E05B 9/002; E05B 9/02; E05B
1/00; E05B 3/00; E05B 37/00; E05B
47/00; E05B 47/06; E05B 15/00; E05B
15/02; Y10T 70/8568; Y10T 70/8459;
Y10T 70/8515
See application file for complete search history.

(56) **References Cited**

U.S. PATENT DOCUMENTS

D351,982 S *	11/1994	Chen	D8/301
D369,288 S *	4/1996	Jensen	D8/310
D379,916 S *	6/1997	Chung	D8/308
D380,133 S *	6/1997	Rochette	D8/301
5,934,117 A *	8/1999	Shen	E05B 55/06 70/149
6,619,710 B1 *	9/2003	Hwang	E05B 63/006 292/336.3
D494,841 S *	8/2004	Moon	D8/352

D495,229 S *	8/2004	Ellis	D8/301
6,979,029 B2 *	12/2005	Shen	E05B 15/02 292/336.3
7,066,507 B2 *	6/2006	Don	E05B 9/08 292/169
D553,949 S *	10/2007	Luo	D8/338
D558,026 S *	12/2007	Luo	D8/338
D569,221 S *	5/2008	Mitchell	D8/330
D582,246 S *	12/2008	Veltz	D8/308
D591,138 S *	4/2009	Blanchette	D8/330
D601,877 S *	10/2009	Mitchell	D8/330
D607,303 S *	1/2010	Kim	D8/331
D614,475 S *	4/2010	Min	D8/331
D635,442 S *	4/2011	Roberts, III	D8/330
D635,444 S *	4/2011	Roberts, III	D8/330
D639,135 S *	6/2011	Doucet	D8/330
7,984,631 B2 *	7/2011	Case	E05B 15/02 70/278.1
D663,603 S *	7/2012	Guo	D8/302

(Continued)

Primary Examiner — Steven J Czyn

(74) *Attorney, Agent, or Firm* — Cantor Colburn LLP

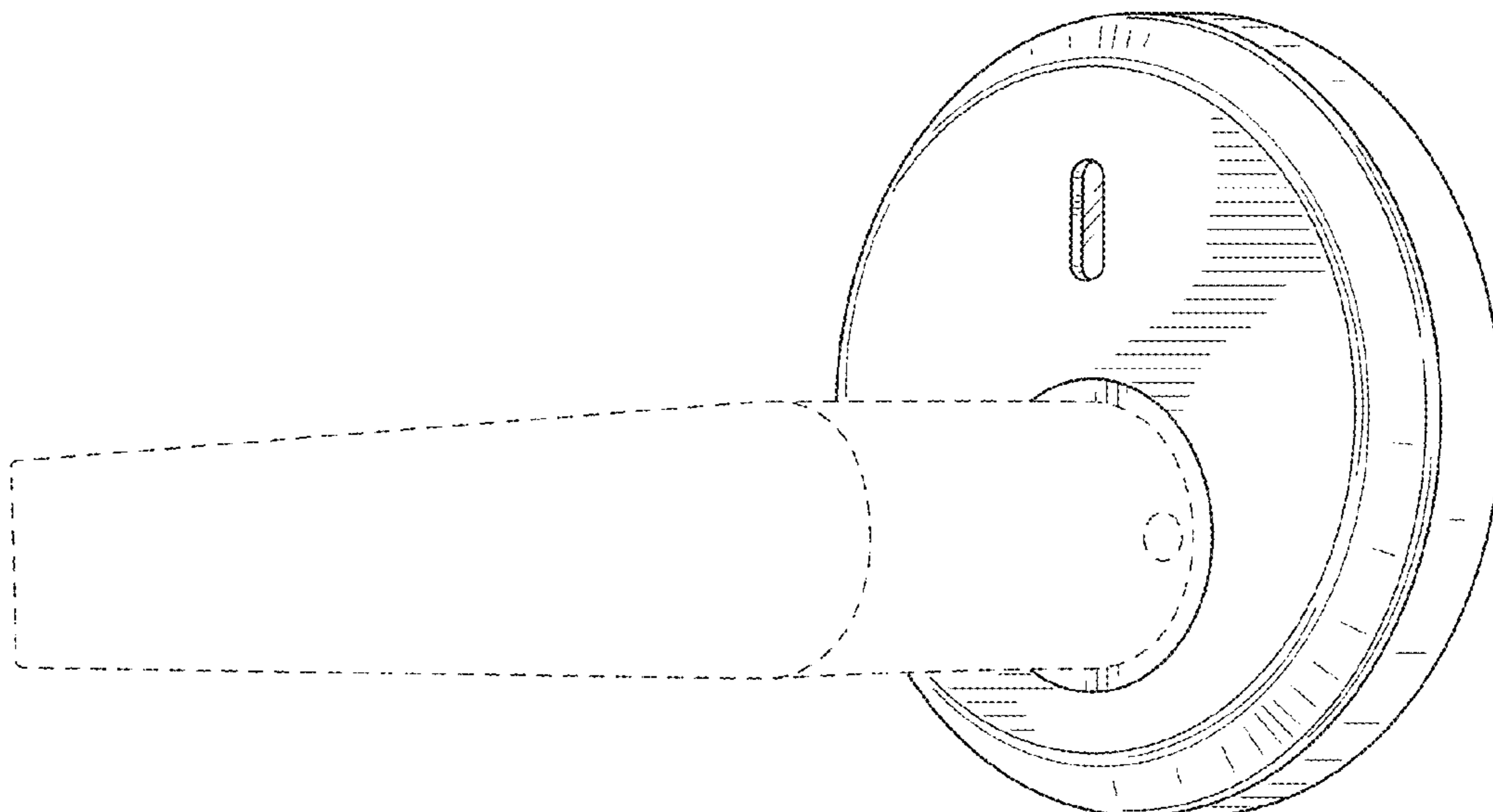
(57) **CLAIM**

We claim, the ornamental design for a locking device, as shown and described.

DESCRIPTION

FIG. 1 is a perspective view of a locking device, showing our new design;
 FIG. 2 is a front view thereof;
 FIG. 3 is a rear view thereof;
 FIG. 4 is a side view thereof;
 FIG. 5 is another side view thereof;
 FIG. 6 is a top view thereof;
 FIG. 7 is a bottom view thereof; and,
 FIG. 8 is a perspective view of the locking device, shown in use with environment.
 The broken lines depict portions of the article and environment that form no part of the claimed design.

1 Claim, 5 Drawing Sheets



(56)

References Cited

U.S. PATENT DOCUMENTS

D679,986 S * 4/2013 Hsieh D8/330
 D682,656 S * 5/2013 Cramer D8/331
 D682,659 S * 5/2013 Genord D8/330
 D701,743 S * 4/2014 Genord D8/330
 D737,657 S * 9/2015 Nadgouda D8/331
 D737,661 S * 9/2015 Chan D8/330
 D738,186 S * 9/2015 Nadgouda D8/331
 D738,192 S * 9/2015 Hetfield D8/350
 D767,365 S * 9/2016 Yu D8/330
 D772,691 S * 11/2016 Han D8/330
 D772,692 S * 11/2016 Meyerhoffer D8/331
 D773,281 S * 12/2016 Meyerhoffer D8/331
 D774,875 S * 12/2016 Yu D8/353
 D778,138 S * 2/2017 Meyerhoffer D8/334
 D779,920 S * 2/2017 Cahill D8/330
 D782,282 S * 3/2017 Huang D8/353
 D788,568 S * 6/2017 Karnani D8/330
 D788,569 S * 6/2017 Karnani D8/330
 D790,948 S * 7/2017 Lai D8/330
 D790,951 S * 7/2017 Ferreira Sanchez D8/331
 D791,569 S * 7/2017 Chen D8/331
 D792,192 S * 7/2017 Huang D8/331
 D794,414 S * 8/2017 Chou D8/330
 D803,027 S * 11/2017 Huang D8/331

D806,514 S * 1/2018 Singtoroj D8/321
 D812,448 S * 3/2018 Schneider D8/331
 D814,265 S * 4/2018 Kasper D8/330
 D817,148 S * 5/2018 Carpintero D8/331
 D818,795 S * 5/2018 Morstatt D8/331
 D818,797 S * 5/2018 Morstatt D8/334
 D826,683 S * 8/2018 Hsu D8/308
 D838,572 S * 1/2019 Su D8/301
 D843,195 S * 3/2019 Ronge D8/302
 D852,026 S * 6/2019 Fechner D8/352
 D867,853 S * 11/2019 Lin D8/331
 2013/0276491 A1 * 10/2013 Huang E05B 9/002
 70/448
 2014/0311197 A1 * 10/2014 Abel E05B 41/00
 70/432
 2014/0319858 A1 * 10/2014 Huang E05B 3/003
 292/357
 2017/0114570 A1 * 4/2017 Hallett E05B 47/00
 2018/0058103 A1 * 3/2018 Heisler E05B 47/00
 2018/0102012 A1 * 4/2018 Cahill G07C 9/00944
 2018/0128013 A1 * 5/2018 Park E05B 9/082
 2018/0313113 A1 * 11/2018 Hickman E05B 47/00
 2018/0334831 A1 * 11/2018 Shyu E05B 3/00
 2019/0218819 A1 * 7/2019 Schuberth E05B 13/002
 2019/0323263 A1 * 10/2019 Kwon E05B 27/0003

* cited by examiner

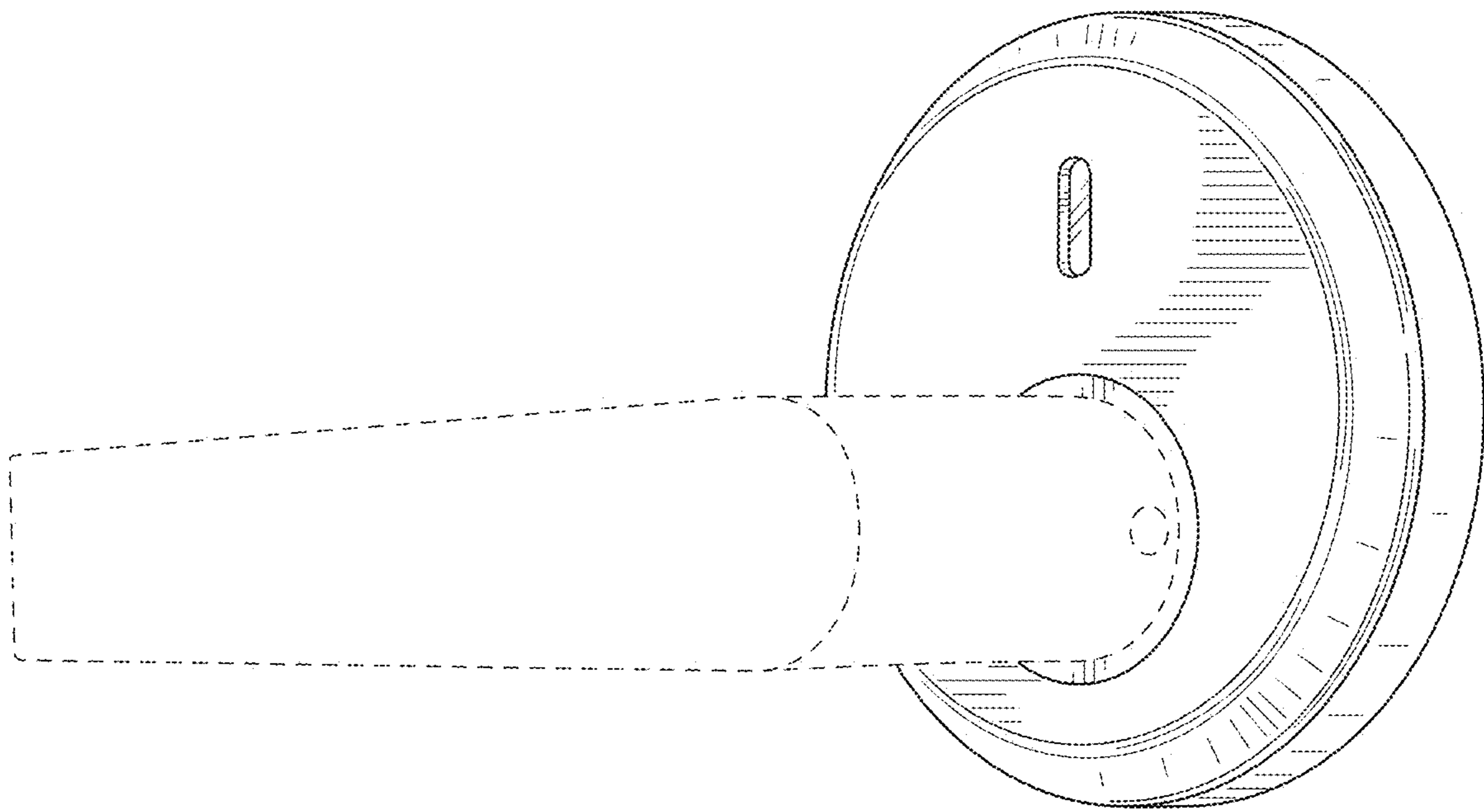


FIG. 1

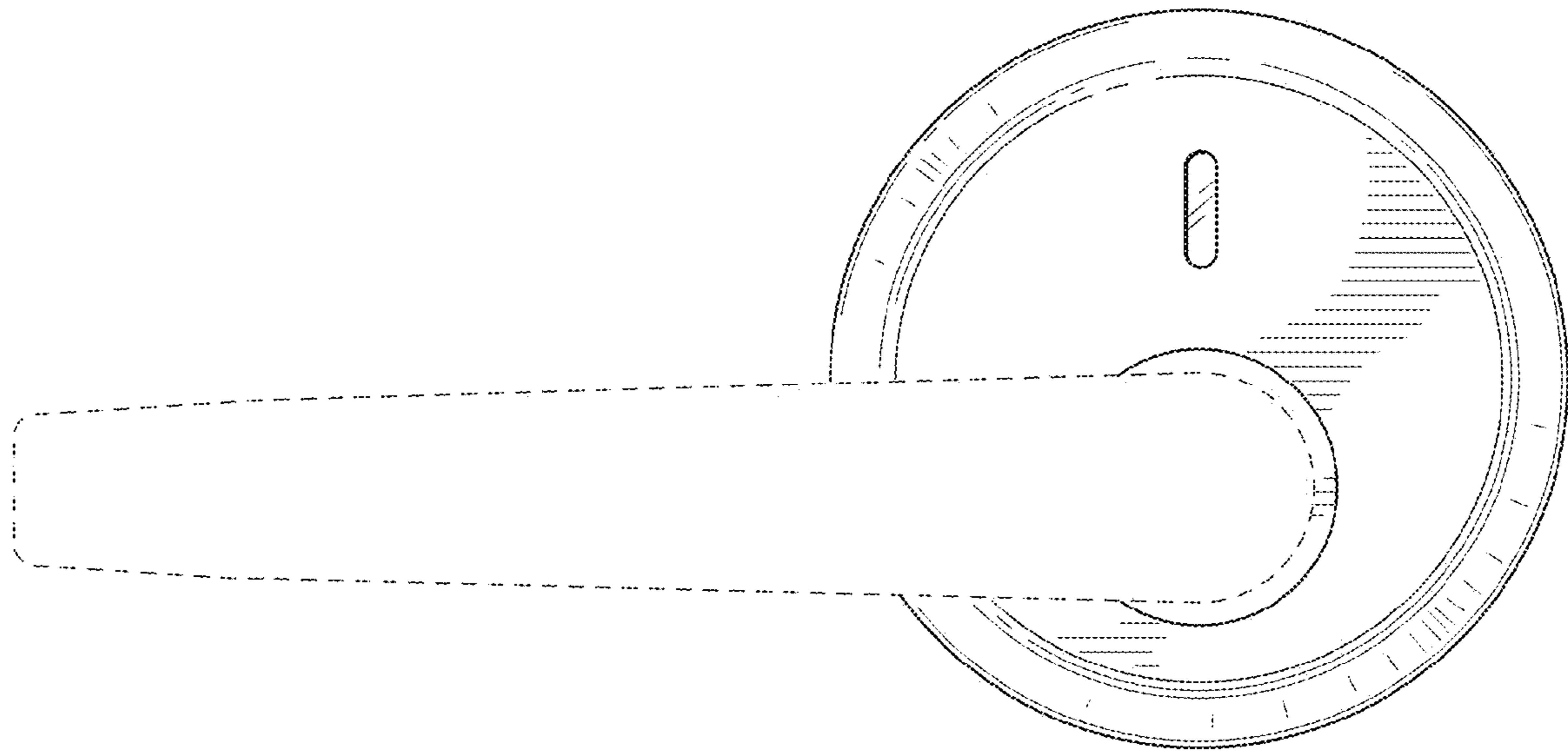


FIG. 2

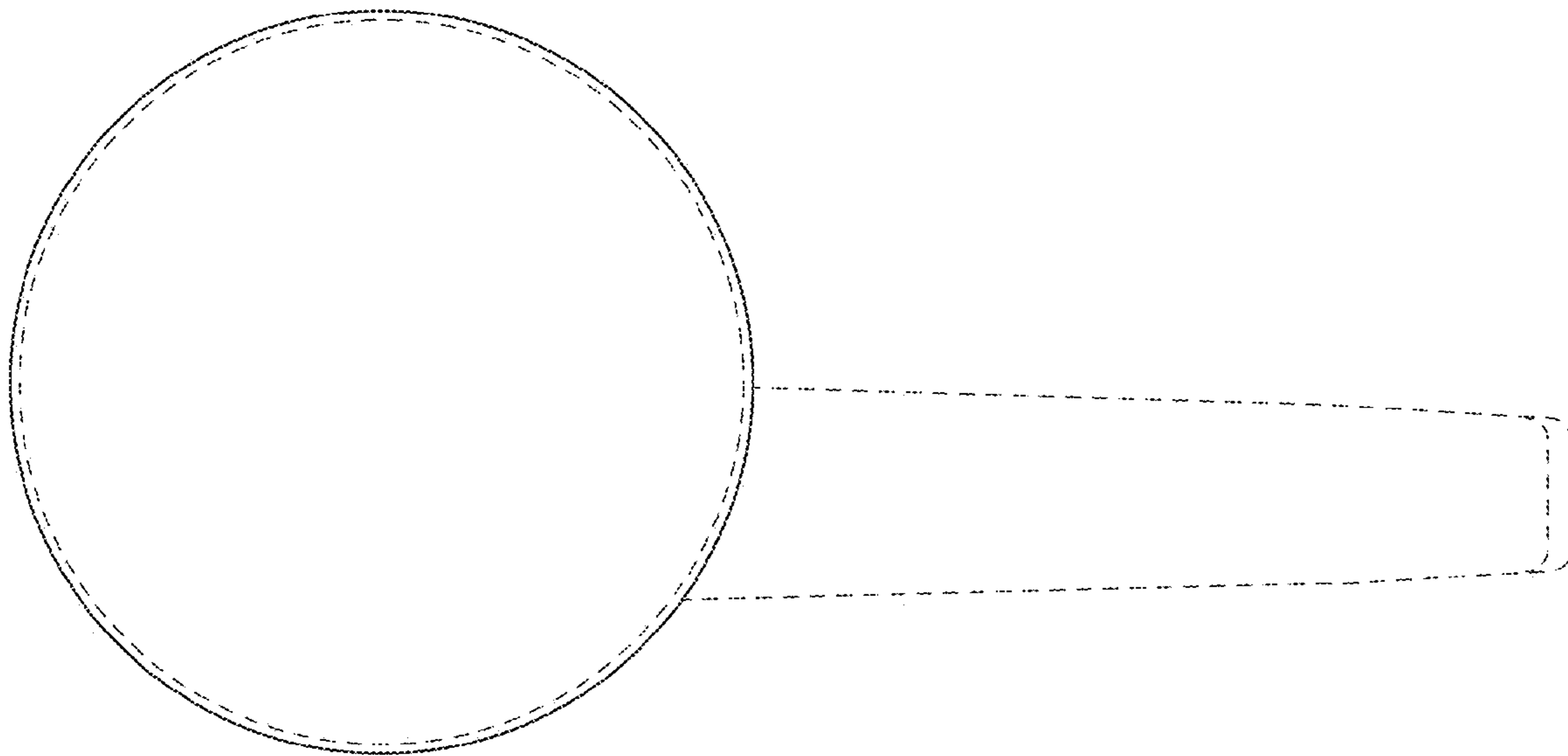


FIG. 3

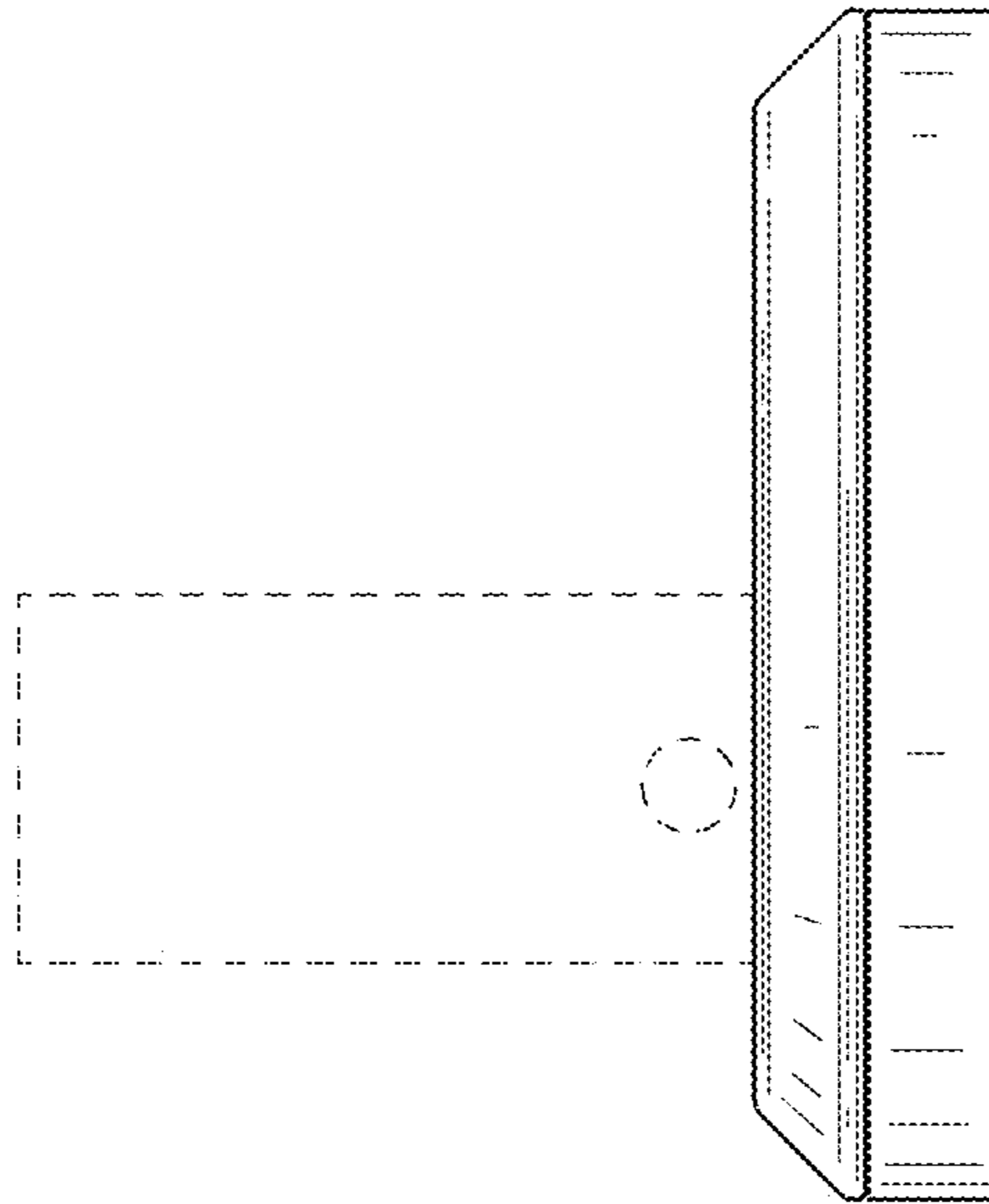


FIG. 4

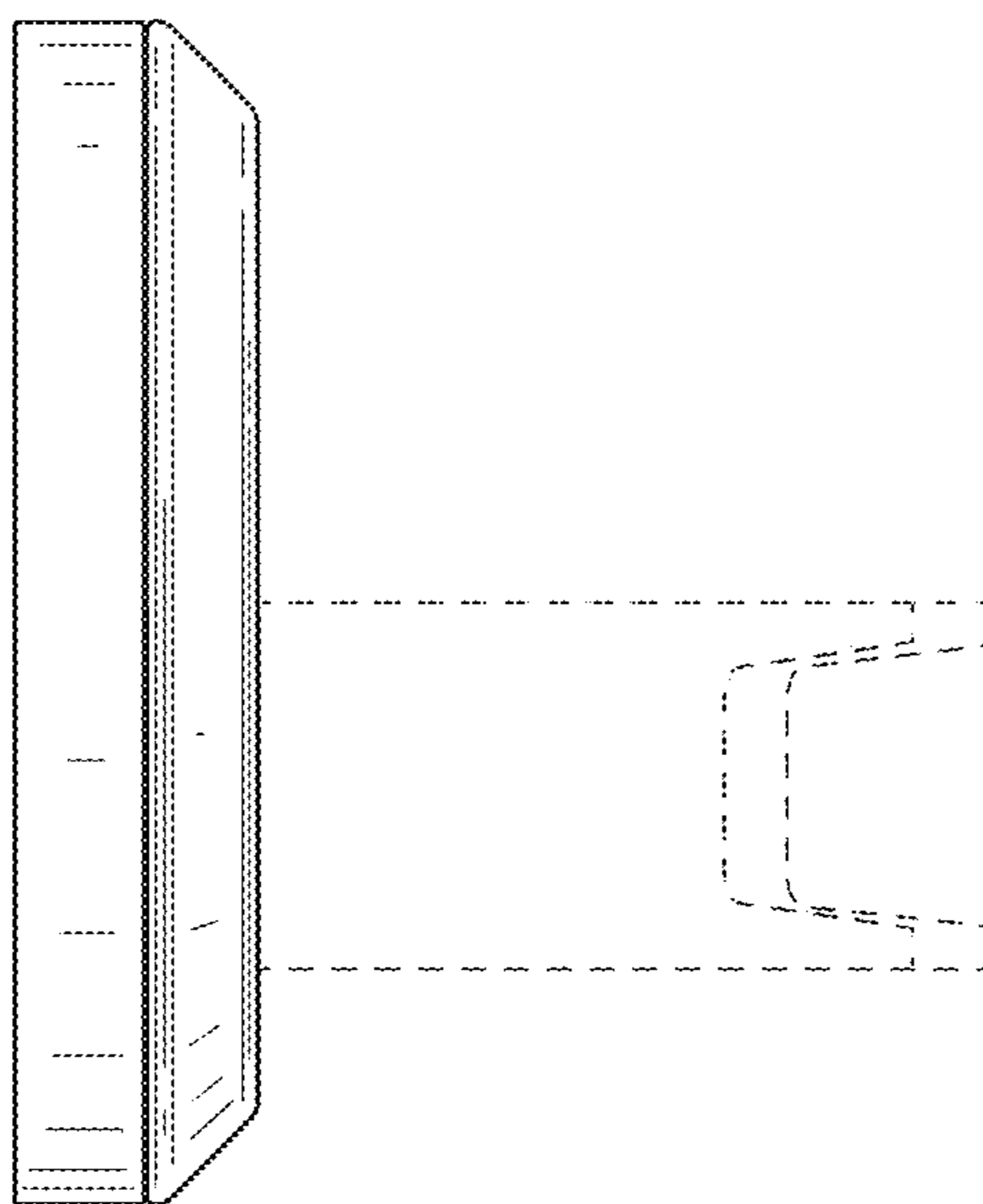


FIG. 5

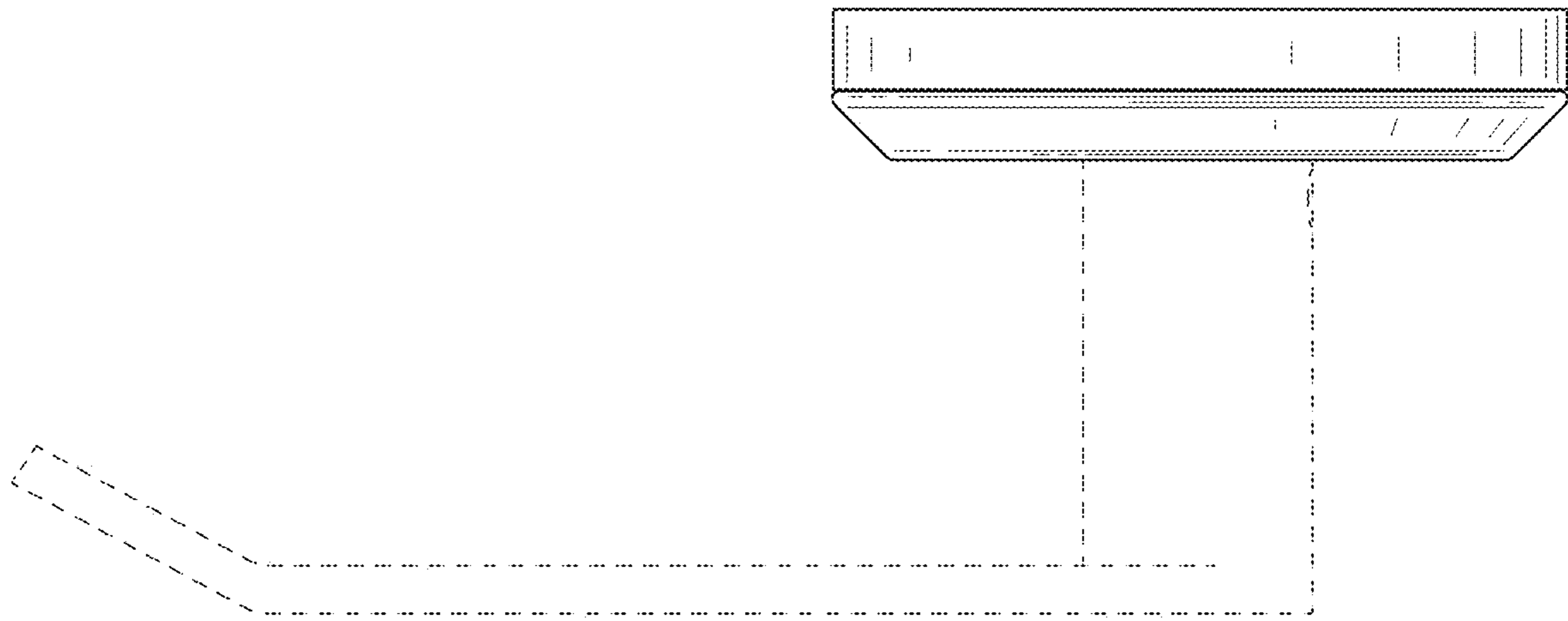


FIG. 6

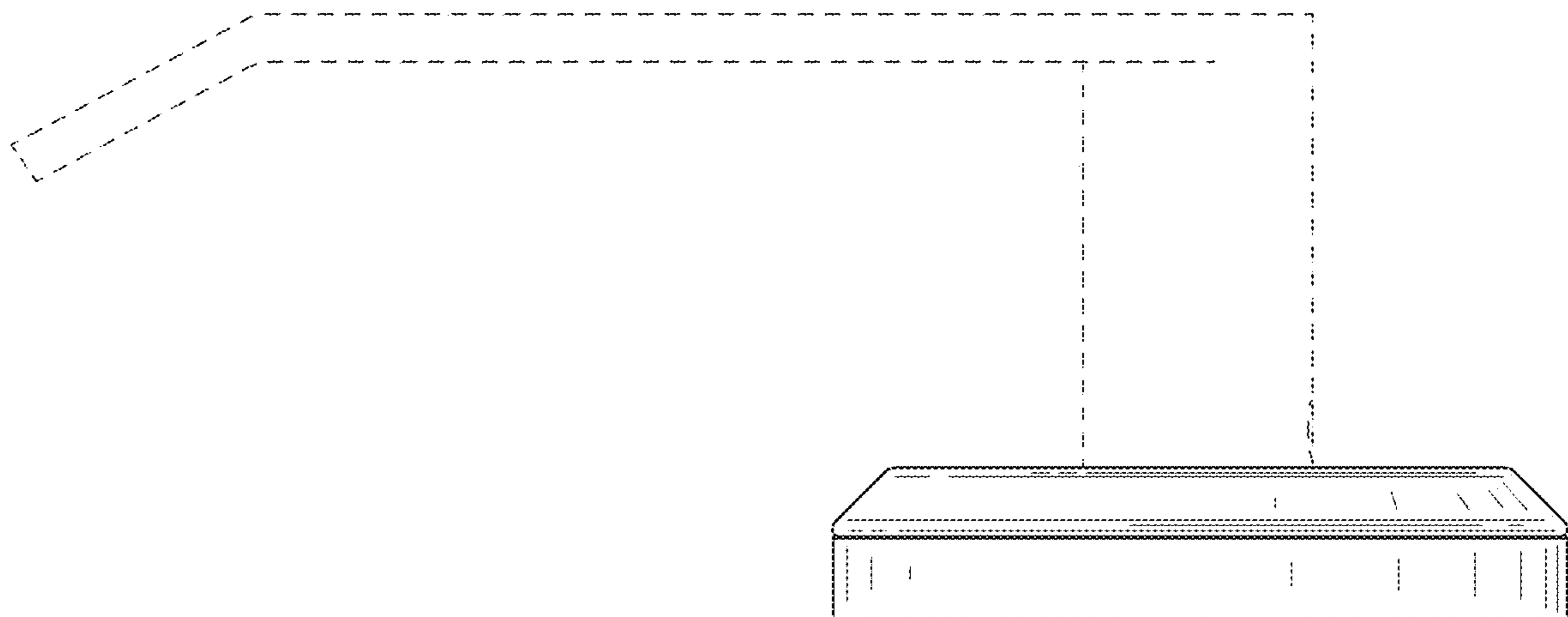


FIG. 7

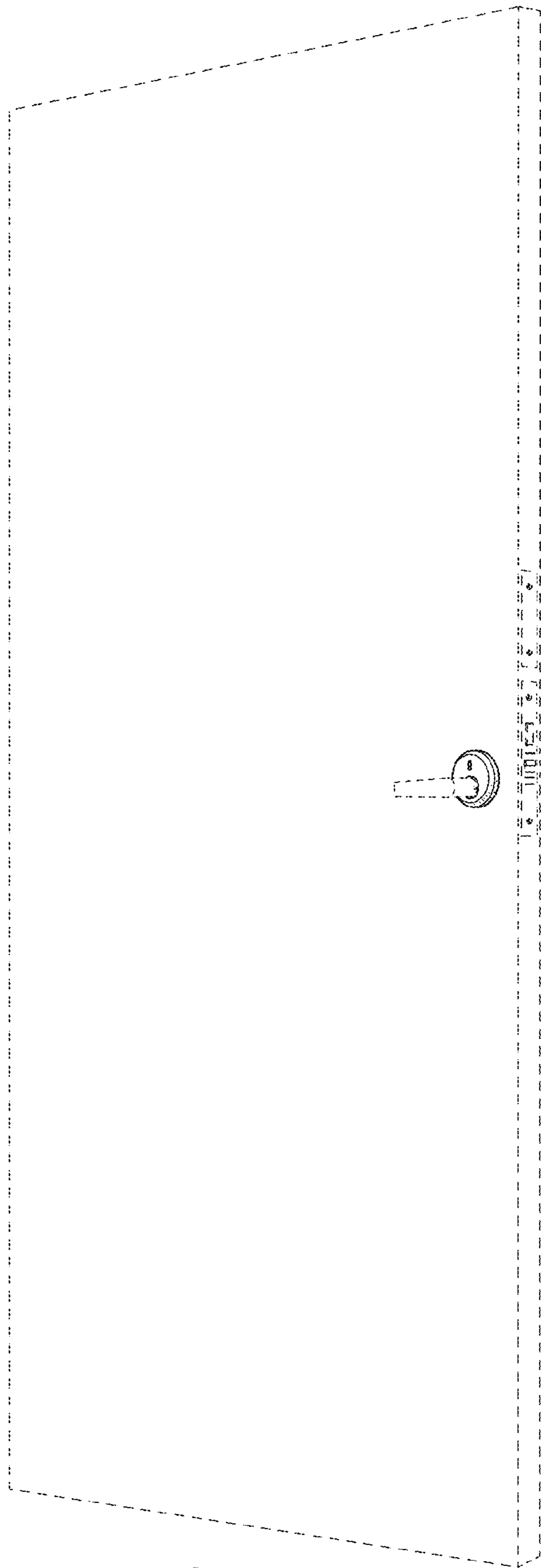


FIG. 8