



US00D889244S

(12) **United States Design Patent**  
**Griswold**

(10) **Patent No.:** **US D889,244 S**

(45) **Date of Patent:** **\*\* Jul. 7, 2020**

(54) **DOOR OPERATOR**

(71) Applicant: **ASSA ABLOY Accessories and Door Controls Group, Inc.**, Monroe, NC (US)

(72) Inventor: **Lee Griswold**, Bethel, CT (US)

(73) Assignee: **ASSA ABLOY Accessories and Door Controls Group, Inc.**, Monroe, NC (US)

D271,277	S	*	11/1983	Okazaki	.....	D8/330
D271,845	S	*	12/1983	Matsuo	.....	D8/330
4,419,786	A	*	12/1983	Surko, Jr.	.....	E05F 3/22 16/51
D273,457	S	*	4/1984	Matsuo	.....	D8/330
D295,254	S	*	4/1988	Matsuo	.....	D8/330
4,837,890	A	*	6/1989	Tully	.....	E05C 17/28 16/71
D364,081	S	*	11/1995	Yates	.....	D8/330
5,511,284	A	*	4/1996	Current	.....	E05C 17/28 16/49

(Continued)

(\*\*) Term: **15 Years**

(21) Appl. No.: **29/638,858**

(22) Filed: **Mar. 1, 2018**

(51) **LOC (12) Cl.** ..... **08-07**

(52) **U.S. Cl.**  
USPC ..... **D8/330**

(58) **Field of Classification Search**  
USPC ..... D8/330, 331, 336, 338, 339, 343, 344,  
D8/346

CPC ..... E05F 3/00; E05F 3/02; E05F 3/102; E05F  
3/10; E05F 3/22; E05F 3/04; E05F 3/221;  
E05F 3/225; E05F 3/227

See application file for complete search history.

(56) **References Cited**

U.S. PATENT DOCUMENTS

2,994,906	A	*	8/1961	Check	.....	E05F 3/102 16/51
3,188,682	A	*	6/1965	Check	.....	E05F 3/00 16/49
D234,938	S	*	4/1975	Guerrero et al.	.....	D8/330
D241,003	S	*	8/1976	Meisner et al.	.....	D8/330
D241,512	S	*	9/1976	Hiraishi et al.	.....	D8/330
D241,910	S	*	10/1976	Meisner et al.	.....	D8/330
4,086,681	A	*	5/1978	Nakanishi	.....	E05F 3/00 16/49
4,286,412	A	*	9/1981	Stevens	.....	E05C 17/28 292/270
D261,099	S	*	10/1981	Russell	.....	D8/330

OTHER PUBLICATIONS

ASSA ABLOY Accessories and Door Controls Group, Inc. Canadian Application No. 183347, Examination Report, dated May 9, 2019.

USPTO; U.S. Appl. No. 29/638,849, filed Mar. 1, 2018.

*Primary Examiner* — Steven J Czyz

(74) *Attorney, Agent, or Firm* — Moore & Van Allen PLLC; Jeffrey R. Gray

(57) **CLAIM**

I claim the ornamental designs for a door operator, as shown and described.

**DESCRIPTION**

FIG. 1 is a front view showing our new design for a door operator;

FIG. 2 is a back view of the door operator of FIG. 1;

FIG. 3 is a top view of the door operator of FIG. 1;

FIG. 4 is a bottom view of the door operator of FIG. 1;

FIG. 5 is a left side view of the door operator of FIG. 1;

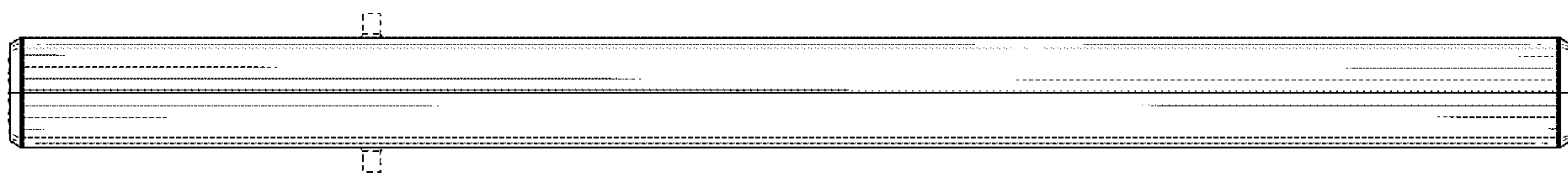
FIG. 6 is a right side view of the door operator of FIG. 1;

and,

FIG. 7 is a top perspective view of the door operator of FIG. 1.

The broken lines depict portions of the article that form no part of the claimed design.

**1 Claim, 4 Drawing Sheets**



(56)

References Cited

U.S. PATENT DOCUMENTS

D413,055 S \* 8/1999 Mullet ..... D8/330  
 D416,779 S \* 11/1999 Trumpinski ..... D8/330  
 D421,561 S \* 3/2000 Fenwick ..... D8/330  
 D422,195 S \* 4/2000 Tonozzi ..... D8/330  
 D424,404 S \* 5/2000 Jensen ..... D8/330  
 D428,793 S \* 8/2000 Bruno ..... D8/330  
 D429,992 S \* 8/2000 Ginzel ..... D8/330  
 D438,088 S \* 2/2001 Tomlinson ..... D8/330  
 D439,131 S \* 3/2001 Bruno ..... D8/330  
 6,205,615 B1 \* 3/2001 Jensen ..... E05F 3/00  
 16/49  
 D578,862 S \* 10/2008 James ..... D8/330  
 D587,092 S \* 2/2009 Kaluza ..... D8/330  
 D589,781 S \* 4/2009 Lee ..... D8/330  
 D638,686 S \* 5/2011 Gordon ..... D8/330  
 7,971,316 B2 \* 7/2011 Copeland, II ..... E05F 3/12  
 16/79  
 D647,780 S \* 11/2011 Kaluza ..... D8/330  
 D658,033 S \* 4/2012 Kaluza ..... D8/330

D658,034 S \* 4/2012 Kaluza ..... D8/330  
 D658,035 S \* 4/2012 Kaluza ..... D8/330  
 D669,333 S \* 10/2012 Tien ..... D8/330  
 D669,334 S \* 10/2012 Tien ..... D8/330  
 D669,335 S \* 10/2012 Tien ..... D8/330  
 D669,336 S \* 10/2012 Tien ..... D8/330  
 D669,337 S \* 10/2012 Tien ..... D8/330  
 D669,338 S \* 10/2012 Tien ..... D8/330  
 8,499,495 B2 \* 8/2013 Houser ..... E05F 15/63  
 49/340  
 8,739,468 B2 \* 6/2014 Yamaguchi ..... E05F 3/106  
 49/379  
 9,121,211 B1 \* 9/2015 White ..... E05F 3/20  
 D740,643 S \* 10/2015 Watson ..... D8/330  
 D804,930 S \* 12/2017 Heitz ..... D8/330  
 D804,931 S \* 12/2017 Heitz ..... D8/330  
 D816,461 S \* 5/2018 Heitz ..... D8/330  
 D818,344 S \* 5/2018 Heitz ..... D8/330  
 D850,885 S \* 6/2019 Ronge ..... D8/330  
 2014/0259927 A1 \* 9/2014 McNally, II ..... E05F 15/70  
 49/13

\* cited by examiner

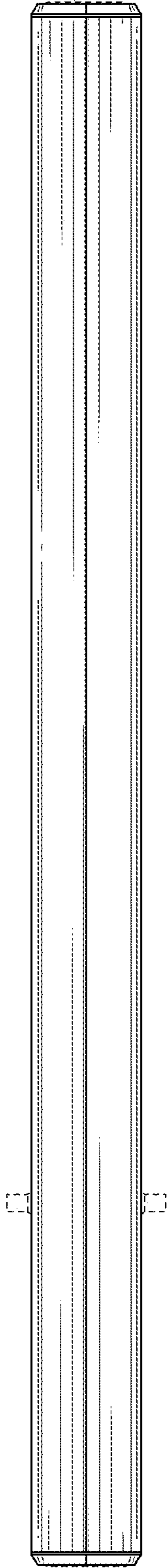


FIG. 1

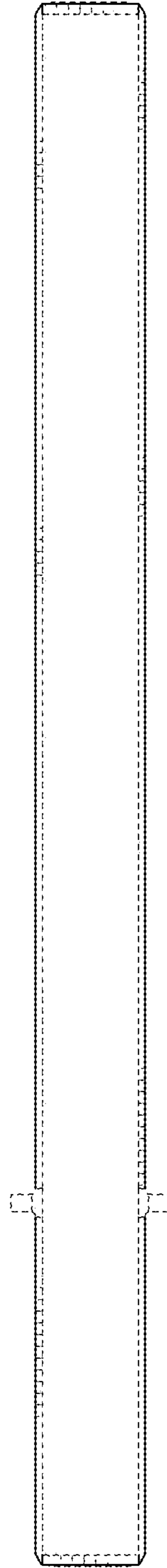


FIG. 2

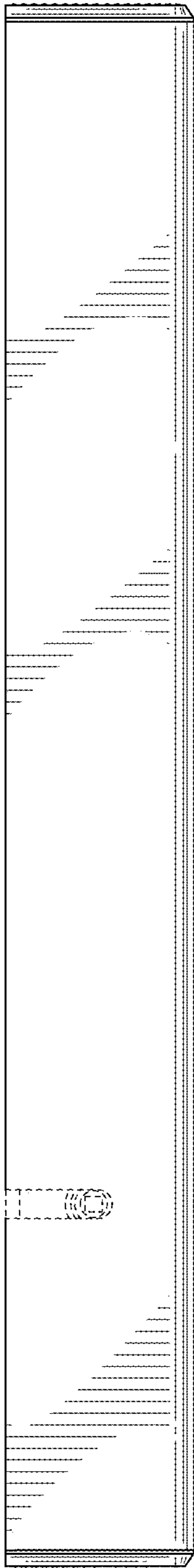


FIG. 3

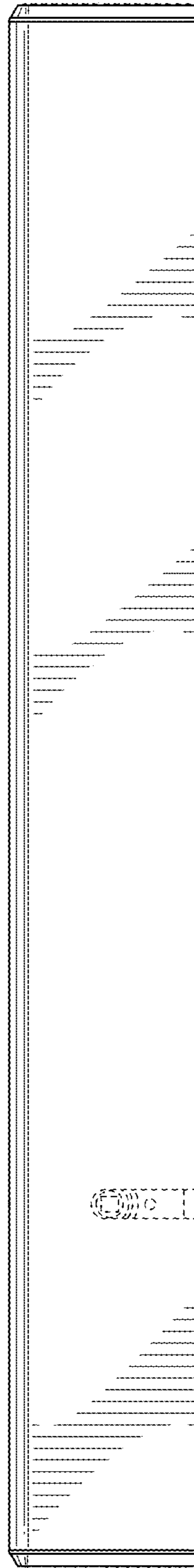


FIG. 4

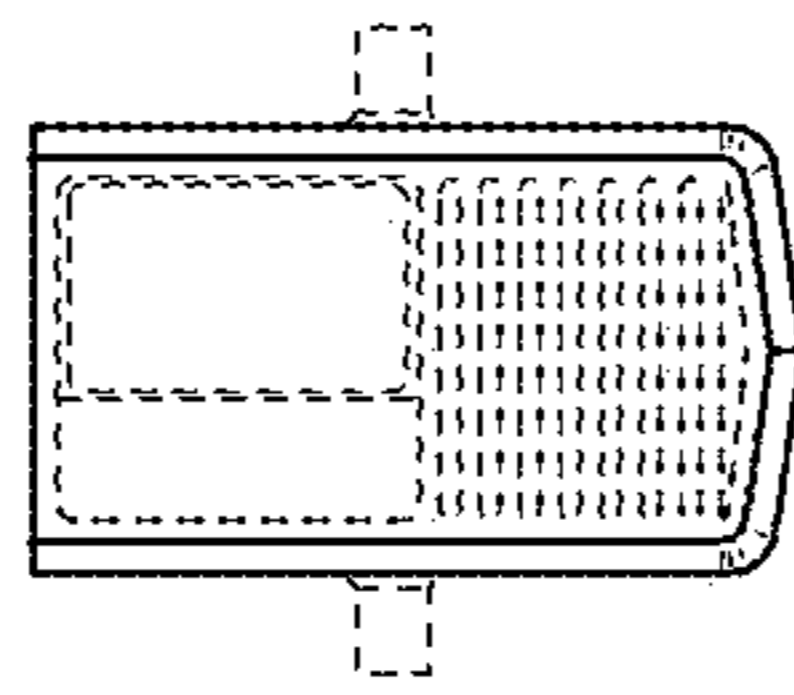


FIG. 5

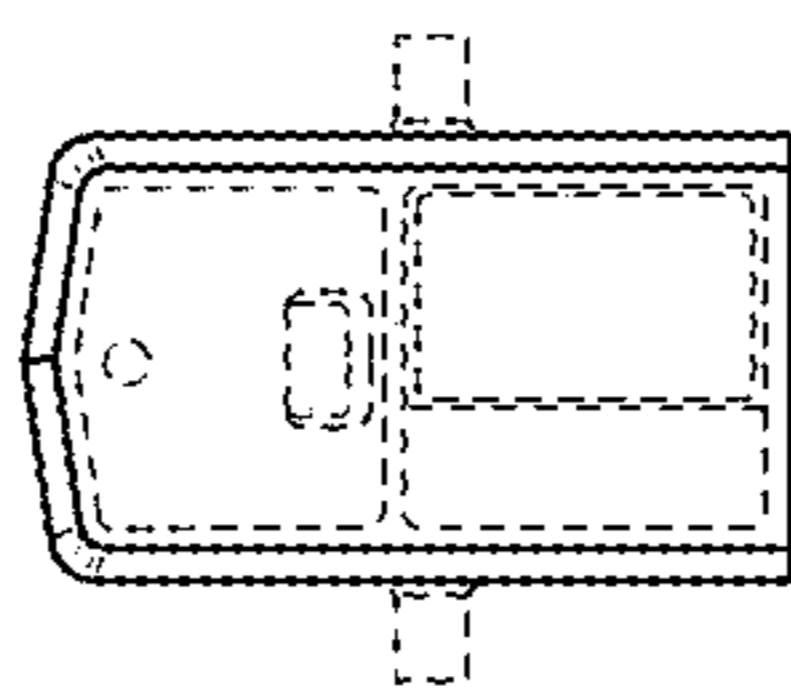


FIG. 6

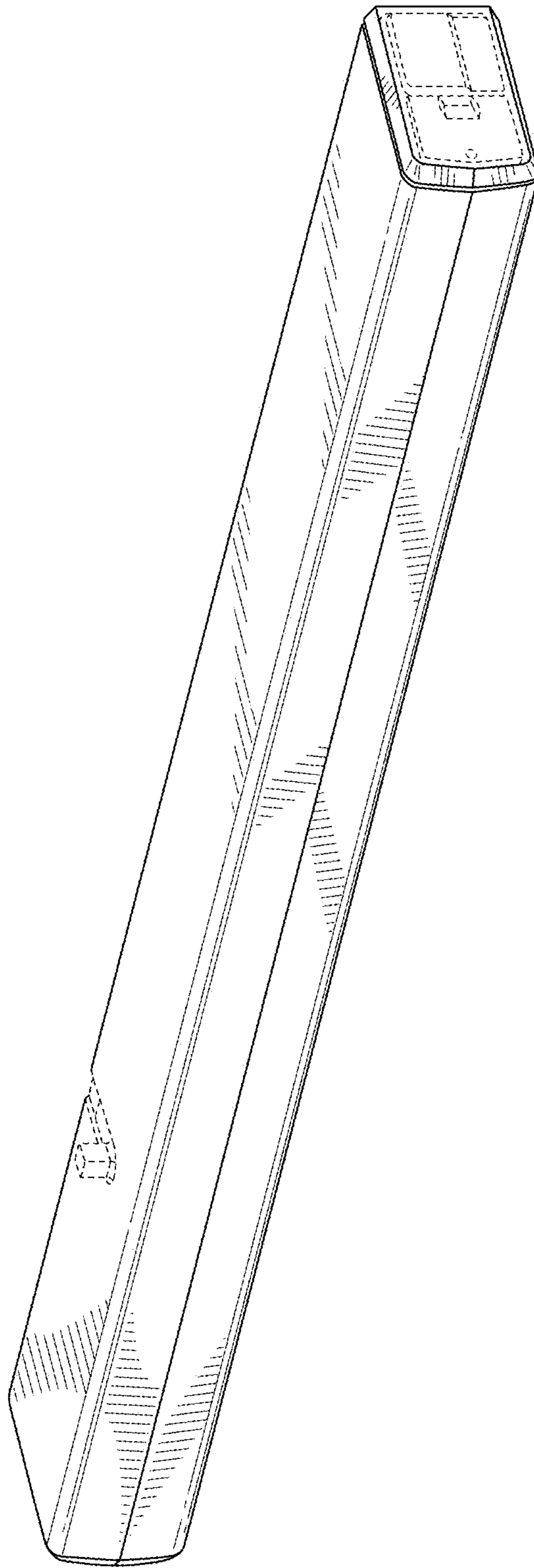


FIG. 7