



US00D889243S

(12) **United States Design Patent**
Eads

(10) **Patent No.:** **US D889,243 S**
(45) **Date of Patent:** **** Jul. 7, 2020**

(54) **PULL**

(71) Applicant: **DELTA FAUCET COMPANY,**
Indianapolis, IN (US)

(72) Inventor: **Thad Eads,** Urbana, IN (US)

(73) Assignee: **DELTA FAUCET COMPANY,**
Indianapolis, IN (US)

(**) Term: **15 Years**

(21) Appl. No.: **29/683,522**

(22) Filed: **Mar. 13, 2019**

(51) **LOC (12) Cl.** **08-06**

(52) **U.S. Cl.**
USPC **D8/316**

(58) **Field of Classification Search**
USPC D8/316, 315, 317, 319, 320, 321, 331,
D8/337, 338, 341; D28/41, 42
CPC Y10T 16/469; Y10T 16/44; Y10T 16/458;
Y10T 16/498; Y10T 16/476; Y10T
16/459; Y10T 16/466; Y10T 16/4713;
Y10T 16/4644; Y10T 16/513; Y10T
16/509; Y10T 16/473; Y10T 16/462;
Y10T 16/4701

See application file for complete search history.

(56) **References Cited**

U.S. PATENT DOCUMENTS

D343,107 S * 1/1994 Fulton D8/315
D403,230 S * 12/1998 Ziemer D8/317

D431,444 S * 10/2000 Short D8/316
D551,056 S * 9/2007 Ricereto D8/317
D569,704 S * 5/2008 Riceretot D8/315
D574,695 S * 8/2008 Krumpe D8/316
D597,396 S * 8/2009 Menzies D8/315
D606,839 S * 12/2009 Urquiola D8/316
D719,008 S * 12/2014 Han D8/315
D730,148 S * 5/2015 Magnusson D8/313
D780,552 S * 3/2017 Zimmer D8/316

* cited by examiner

Primary Examiner — Keli L Hill

Assistant Examiner — Harold E Blackwell, II

(74) *Attorney, Agent, or Firm* — Nirav D. Parikh; Edgar
A. Zarins

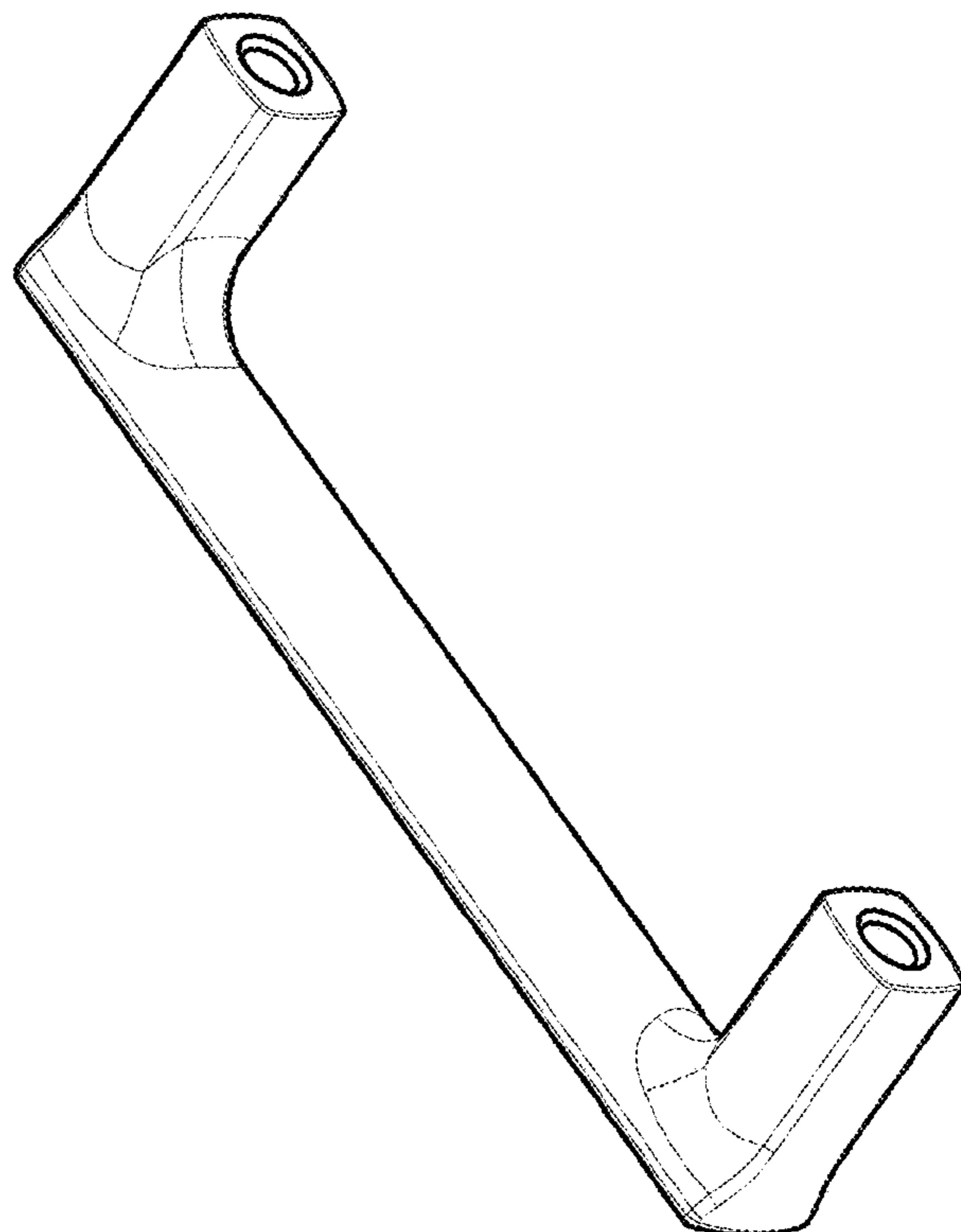
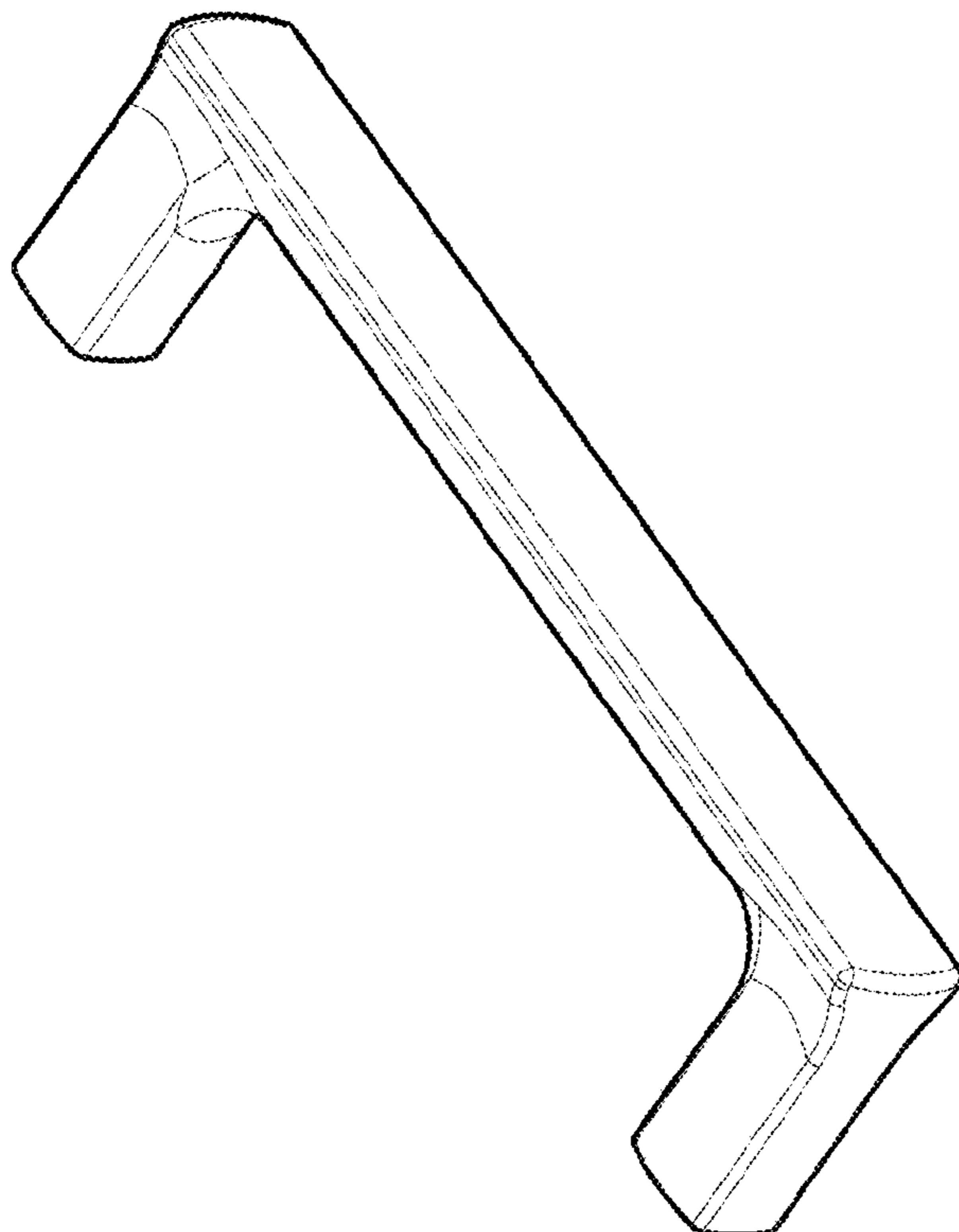
(57) **CLAIM**

The ornamental design for a pull, as shown and described.

DESCRIPTION

FIG. 1 is a front perspective view of a pull showing my new design;
FIG. 2 is a rear perspective view thereof;
FIG. 3 is a front elevational view thereof;
FIG. 4 is a left side view thereof;
FIG. 5 is a rear view thereof;
FIG. 6 is a right side view thereof;
FIG. 7 is a top plan view thereof; and,
FIG. 8 is a bottom view thereof.

1 Claim, 4 Drawing Sheets



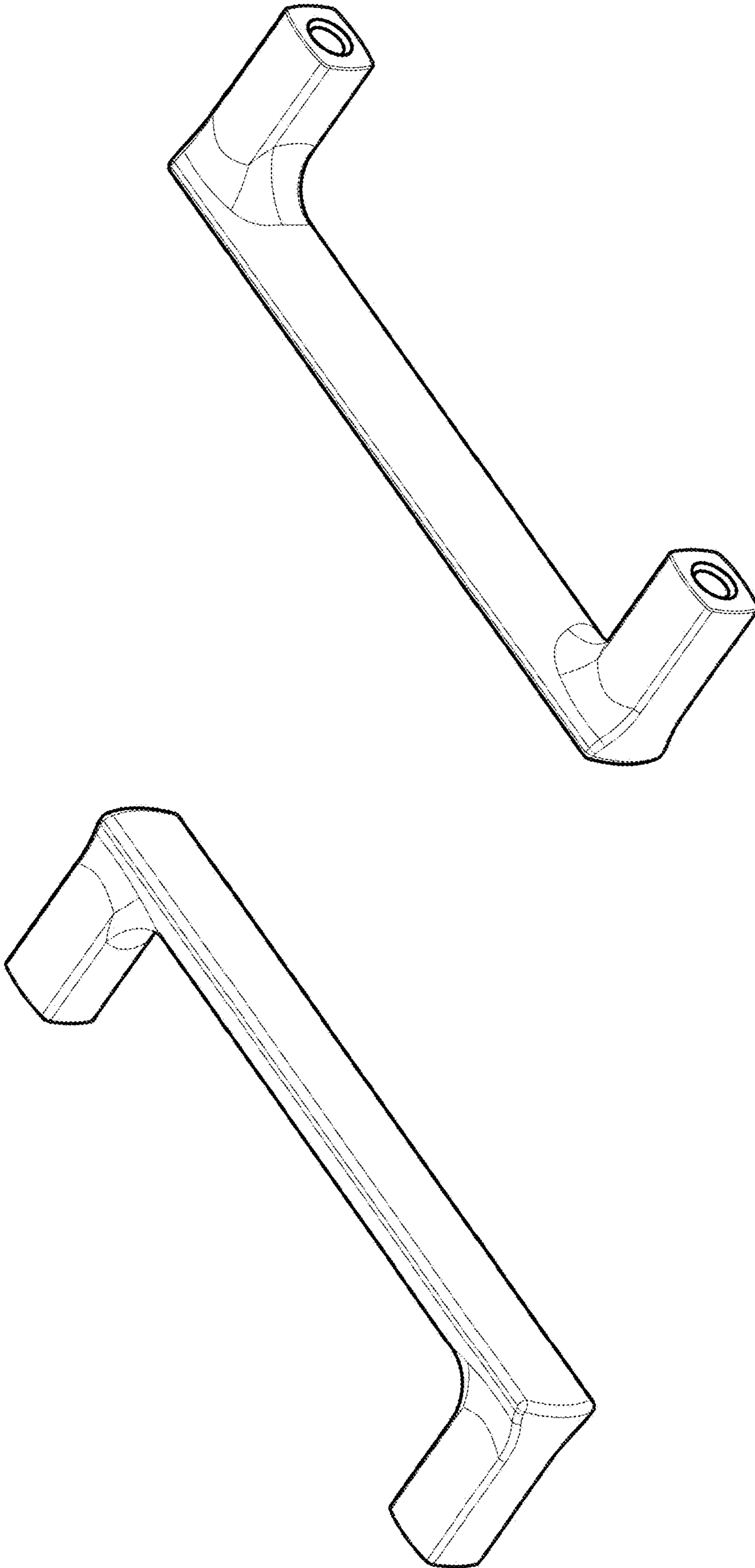


FIG - 2

FIG - 1

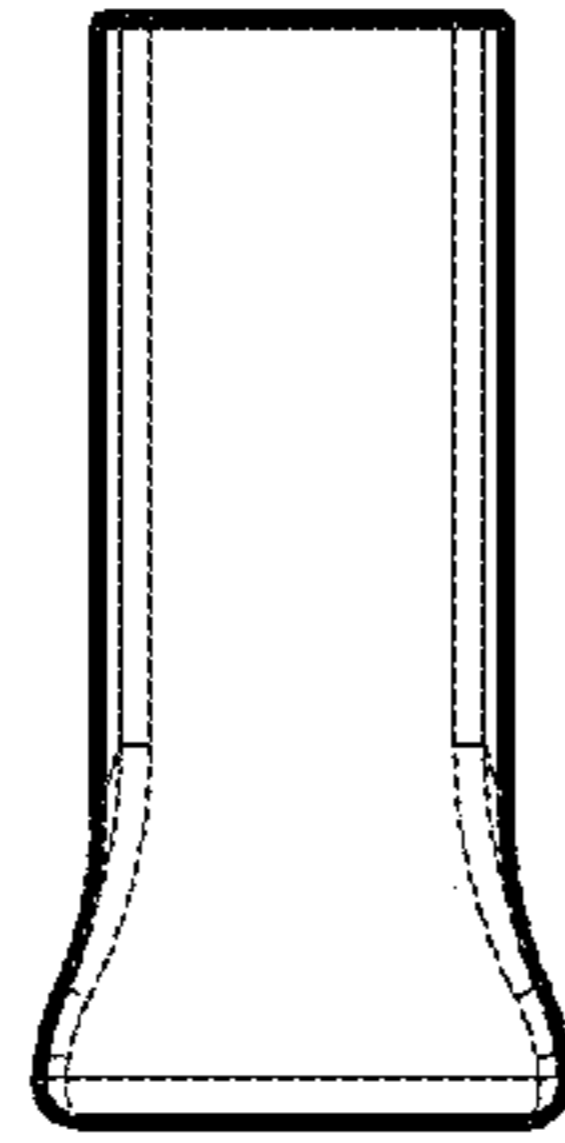


FIG - 4

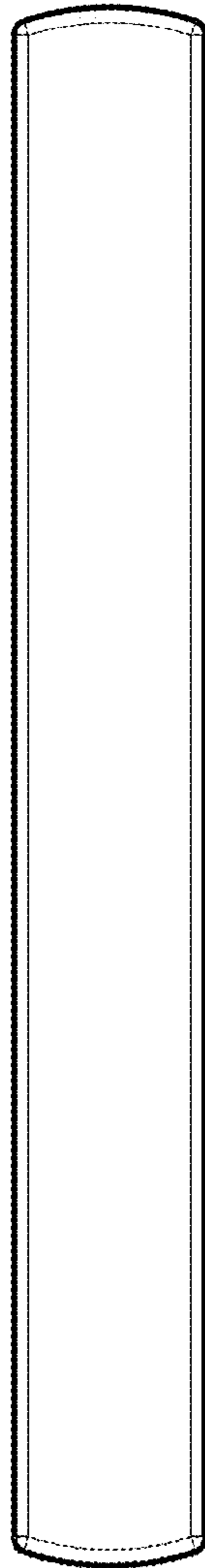


FIG - 3

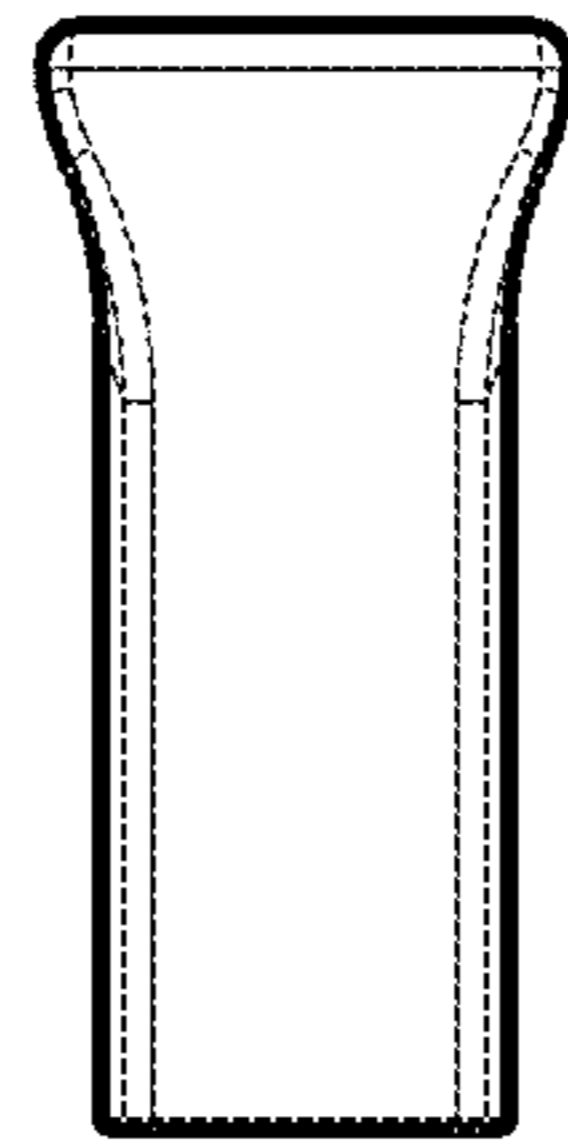


FIG - 6

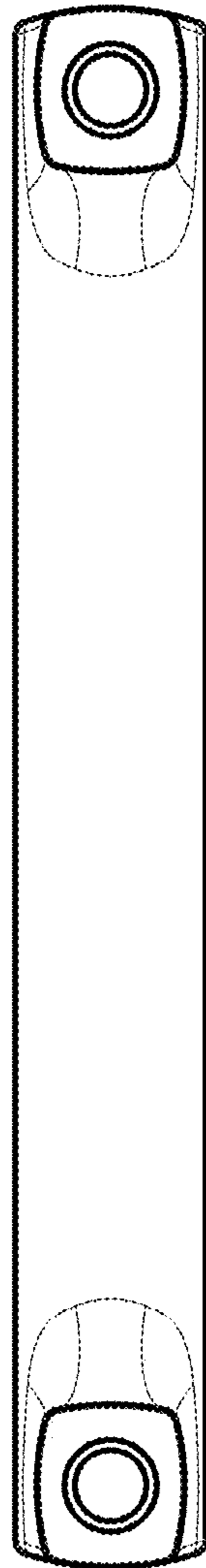


FIG - 5

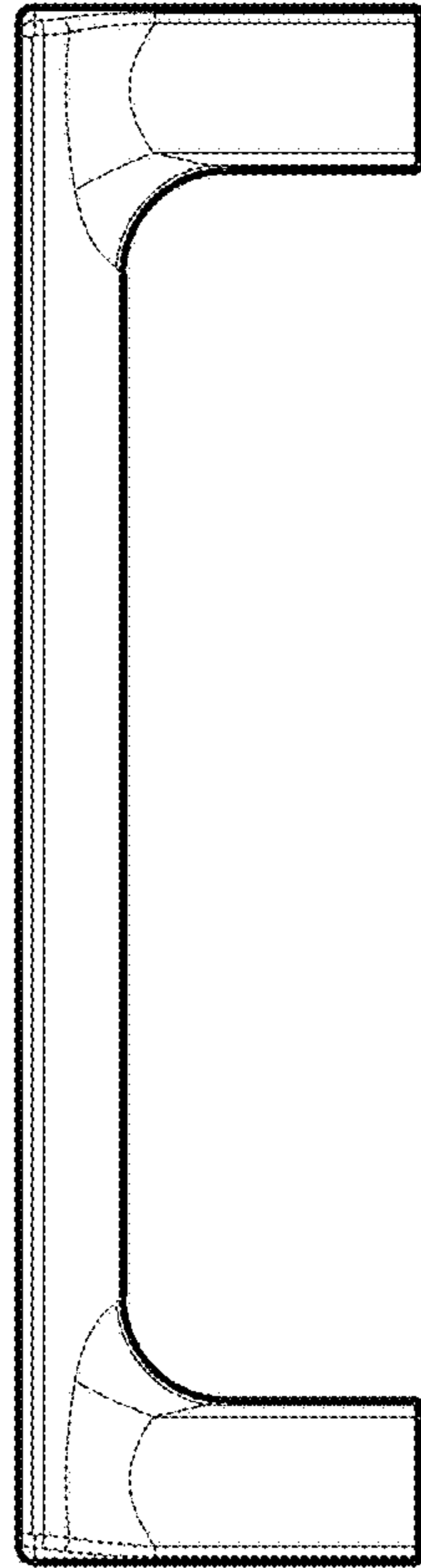


FIG - 8

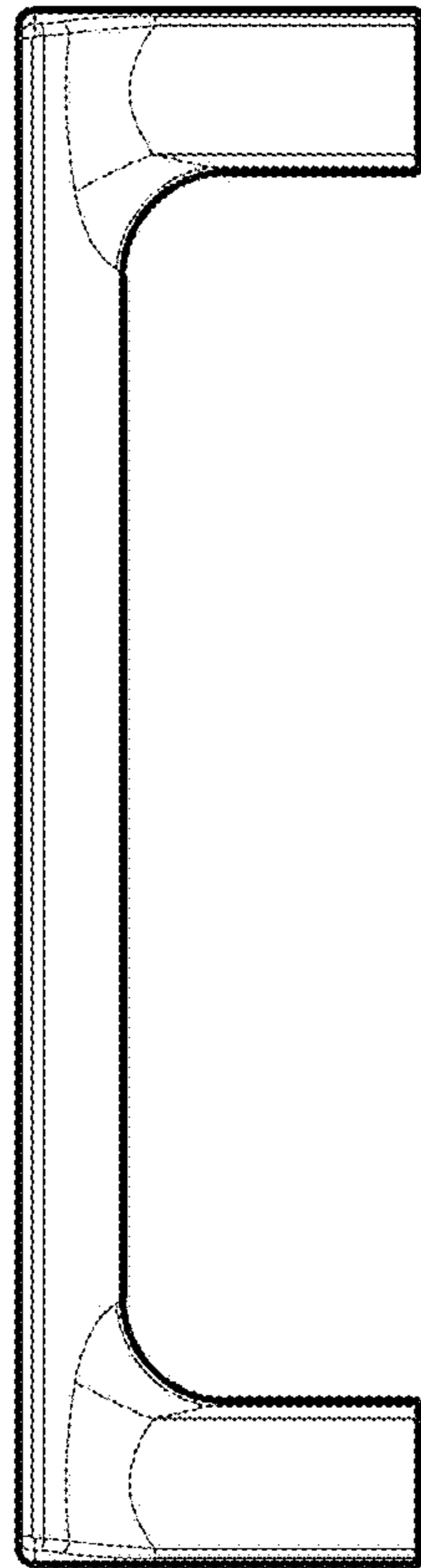


FIG - 7