



US00D889242S

(12) **United States Design Patent** (10) **Patent No.:** **US D889,242 S**
Jimenez (45) **Date of Patent:** **** Jul. 7, 2020**

(54) **TOOL HANDLE HAMMER END AND HANG HOLE**

(71) Applicant: **Level 5 Tools, LLC**, Kansas City, KS (US)

(72) Inventor: **Eduardo J. Jimenez**, Manalapan, NJ (US)

(73) Assignee: **Level 5 Tools, LLC**, Kansas City, KS (US)

(**) Term: **15 Years**

(21) Appl. No.: **29/668,225**

(22) Filed: **Oct. 29, 2018**

Related U.S. Application Data

(63) Continuation-in-part of application No. 29/599,676, filed on Apr. 5, 2017, now Pat. No. Des. 838,159.

(51) **LOC (12) Cl.** **08-05**

(52) **U.S. Cl.**
USPC **D8/107**

(58) **Field of Classification Search**
USPC D8/107, 14, 82, 83; D4/138; D7/395; D32/49, 52
CPC B25G 1/105; B25G 1/102; B25G 1/125; B25G 1/10; B25F 1/00; Y10T 16/44; Y10T 16/498; Y10T 16/476; A47L 13/022

See application file for complete search history.

(56) **References Cited**

U.S. PATENT DOCUMENTS

- 5,956,799 A 9/1999 Pannacione et al.
- 6,131,290 A * 10/2000 Chiou B25F 1/00 16/436
- D444,692 S * 7/2001 Marquardt D7/395
- D446,104 S * 8/2001 Chen D8/107

- D456,236 S 4/2002 Norton
- D462,251 S * 9/2002 Collins D8/107
- D472,125 S 3/2003 Hsu
- D487,387 S * 3/2004 Chen D8/107
- D494,007 S * 8/2004 Rae D7/395
- D498,124 S 11/2004 Mitchell
- D527,244 S * 8/2006 Holby D8/107
- D535,174 S * 1/2007 Chen D8/107
- D535,541 S * 1/2007 Holby D8/107
- D562,517 S 2/2008 Henke et al.
- D569,215 S * 5/2008 Chiu D8/107
- 7,458,127 B2 * 12/2008 Bruno A47L 13/022 15/235.4
- D608,177 S 1/2010 Perlman
- D612,702 S 3/2010 Perlman
- D616,206 S * 5/2010 Junting D4/138
- D629,578 S * 12/2010 Molina D32/46
- D629,649 S 12/2010 Barber
- 8,205,341 B2 6/2012 Rosso et al.

(Continued)

Primary Examiner — Philip S Hyder

(74) *Attorney, Agent, or Firm* — Law Office of Mark Brown, LLC; Ryan S. Hinderliter

(57) **CLAIM**

The ornamental design for a tool handle hammer end and hang hole, as shown and described.

DESCRIPTION

FIG. 1 is a lower, proximal end, right side, perspective view of a tool handle hammer end and hang hole, showing my new design; the broken lines indicating a handle and blade are shown for illustrative purposes only and form no part of the claimed design;

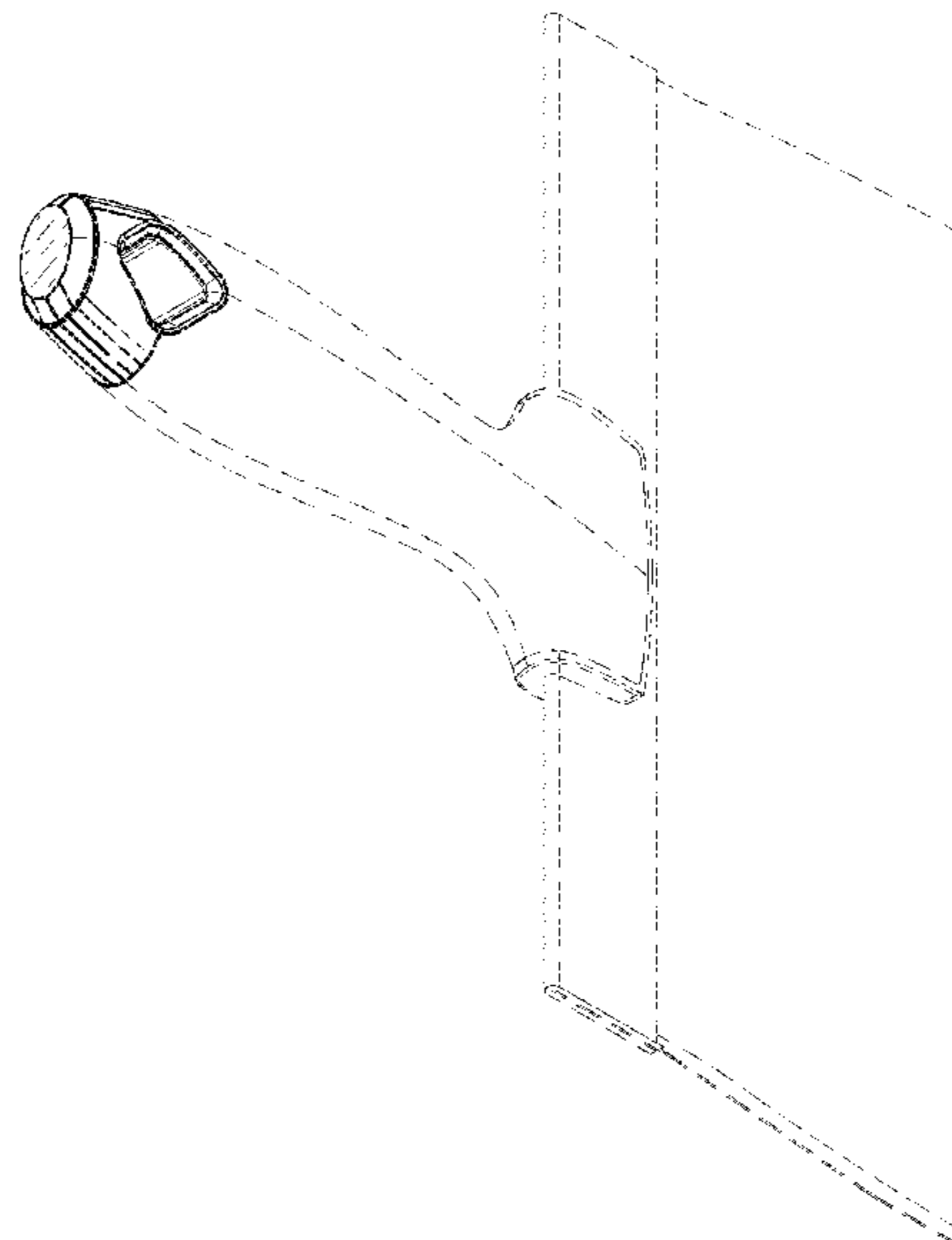
FIG. 2 is an upper, distal end, right side, perspective view thereof;

FIG. 3 is a right-side elevational view thereof, the left side being a mirror image thereof;

FIG. 4 is a proximal end elevational view thereof; and,

FIG. 5 is a top plan view thereof; the bottom plan view being a mirror image thereof.

1 Claim, 3 Drawing Sheets



(56)

References Cited

U.S. PATENT DOCUMENTS

D669,332	S	10/2012	Hoertnagl	
D674,259	S	1/2013	Metaxatos et al.	
D682,062	S	5/2013	Metaxatos et al.	
D693,077	S *	11/2013	Thompson	D32/46
D733,517	S *	7/2015	Constantine	D8/107
D793,837	S	8/2017	Su	
D808,241	S	1/2018	Levand et al.	
D808,242	S	1/2018	Levand et al.	
D828,740	S	9/2018	Levand et al.	
10,369,687	B2 *	8/2019	Levand	B26B 11/001
D864,693	S *	10/2019	Levand	D8/107

* cited by examiner

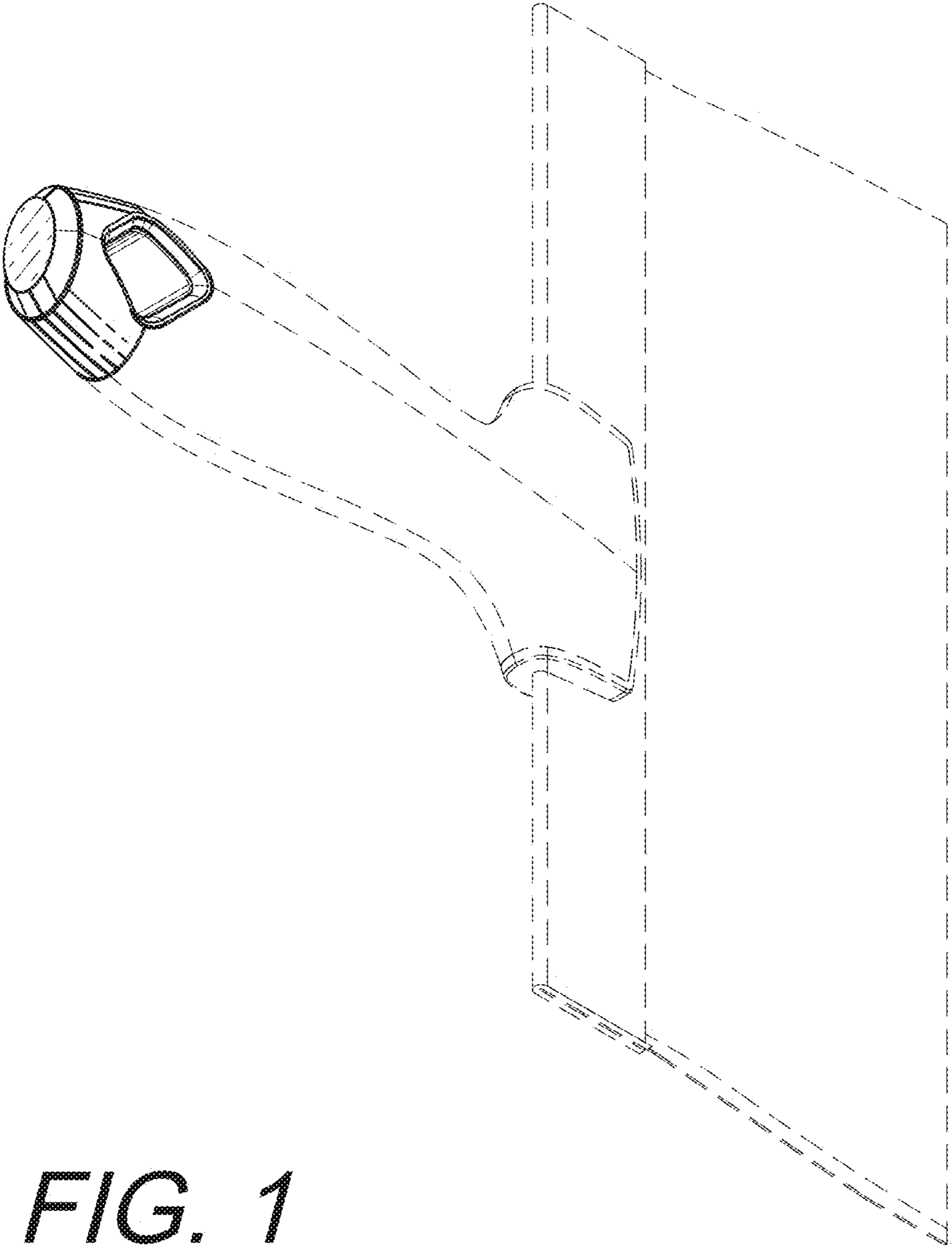


FIG. 1

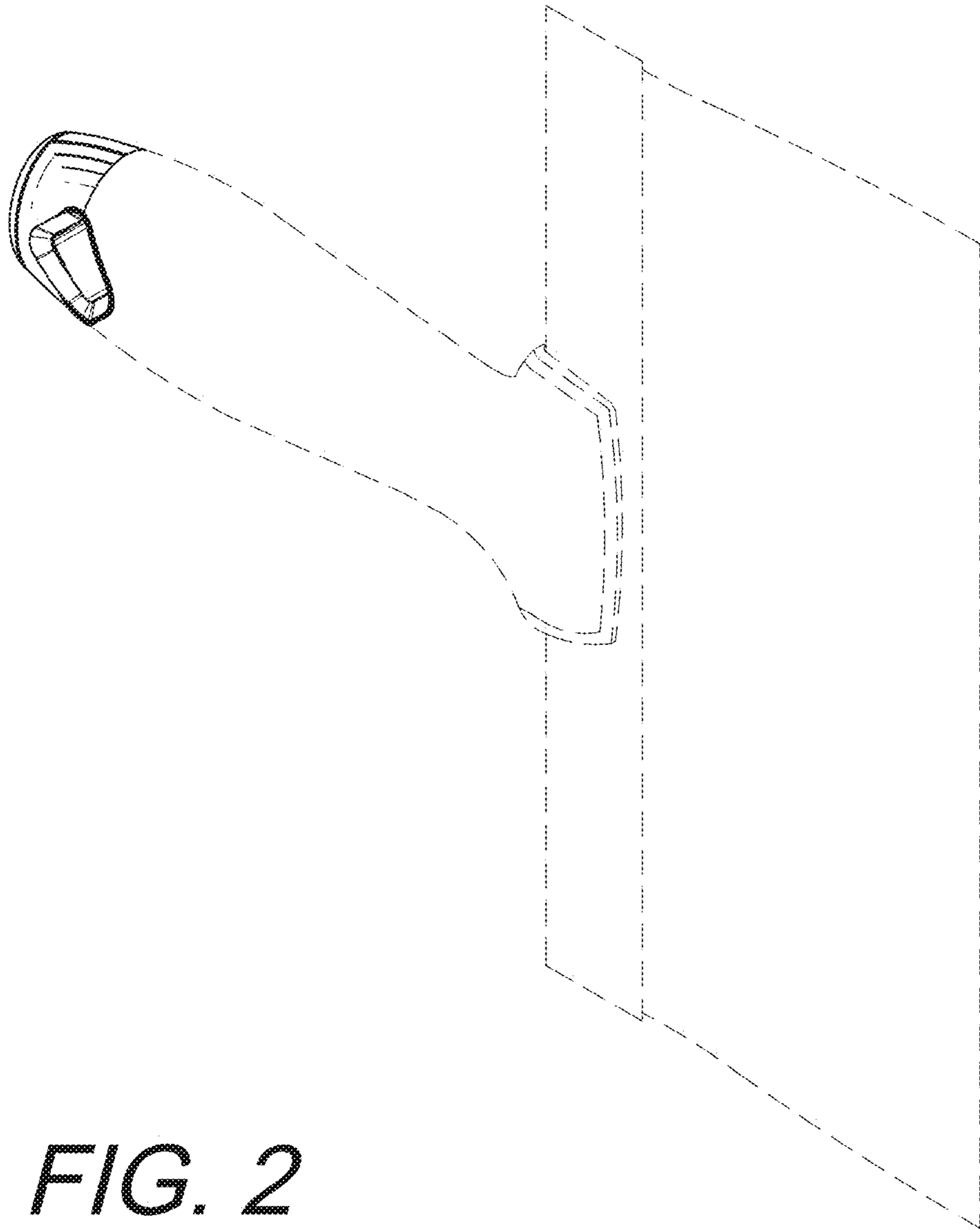


FIG. 2

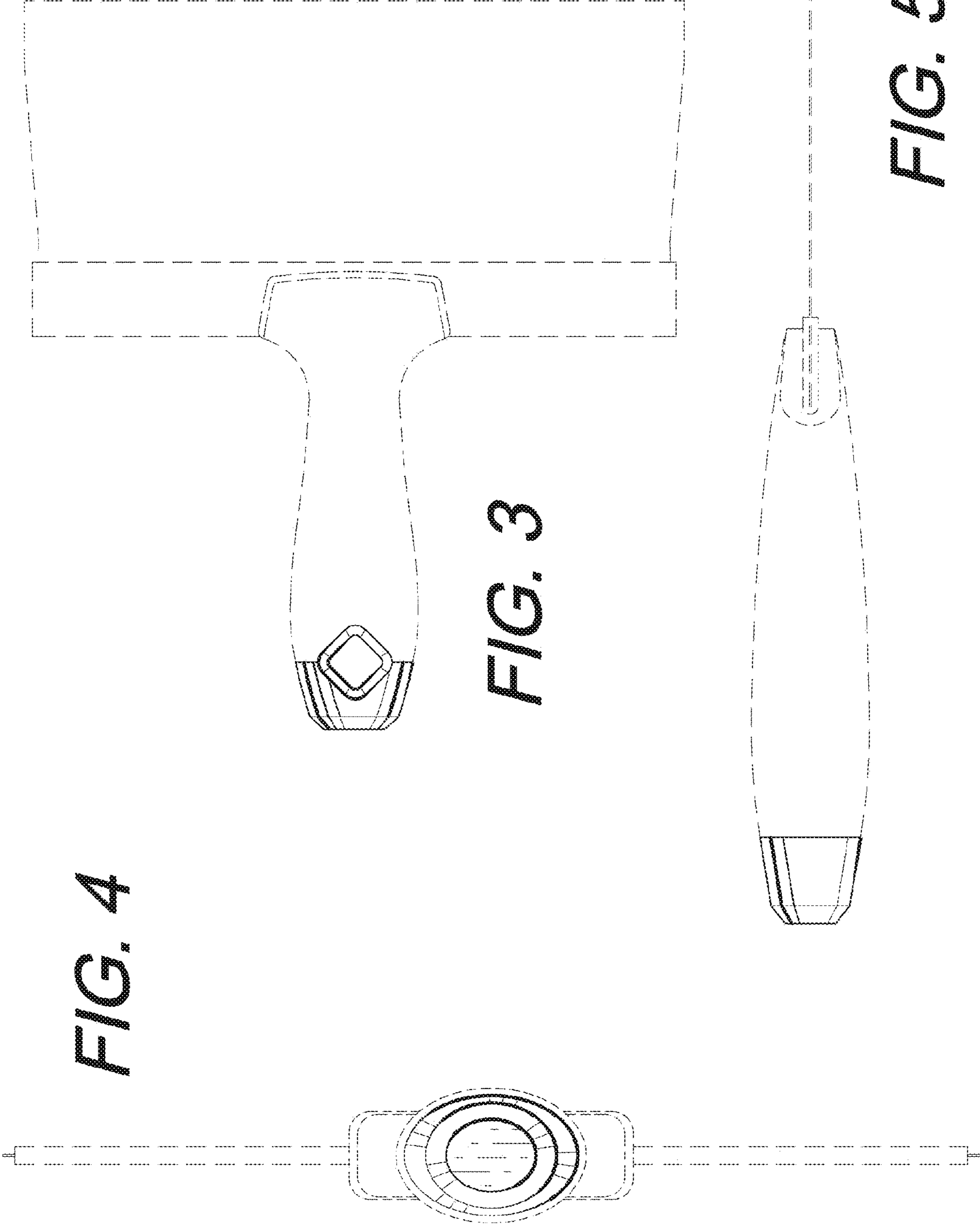


FIG. 4

FIG. 3

FIG. 5