



US00D889240S

(12) **United States Design Patent**  
**Liang**

(10) **Patent No.:** **US D889,240 S**

(45) **Date of Patent:** **\*\* Jul. 7, 2020**

(54) **HOOK KNIFE**

(71) Applicant: **NITE IZE, INC.**, Boulder, CO (US)

(72) Inventor: **Robin Liang**, Guandong (CN)

(73) Assignee: **Nite Ize, Inc.**, Boulder, CO (US)

(\*\*) Term: **15 Years**

(21) Appl. No.: **29/650,680**

(22) Filed: **Jun. 8, 2018**

(51) **LOC (12) Cl.** ..... **08-03**

(52) **U.S. Cl.**  
USPC ..... **D8/100**

(58) **Field of Classification Search**

USPC ..... D8/14, 17, 98, 99, 100, 105; D22/118

CPC .... B26B 1/00; B26B 1/02; B26B 1/04; B26B  
5/00; B26B 5/006; B26B 1/10; B26B  
1/046

See application file for complete search history.

(56) **References Cited**

**U.S. PATENT DOCUMENTS**

D117,093 S *	10/1939	Florman	.....	D8/348
3,453,729 A *	7/1969	Larson	.....	B26B 5/001 30/162
D405,953 S *	2/1999	Legg	.....	D3/210
D422,189 S *	4/2000	Parsons	.....	D8/100
6,112,352 A *	9/2000	Legg	.....	B26B 11/008 7/118
D461,387 S	8/2002	Glesser	.....	
D661,084 S *	6/2012	Rubin	.....	D3/210
9,061,427 B2 *	6/2015	Rubin	.....	B26B 11/00
D772,679 S *	11/2016	Hawker	.....	D3/210
D773,908 S *	12/2016	Arakelian	.....	D8/16

\* cited by examiner

*Primary Examiner* — Philip S Hyder

(74) *Attorney, Agent, or Firm* — Hayes and Boone, LLP

(57) **CLAIM**

The ornamental design for the hook knife, as shown and described.

**DESCRIPTION**

FIG. 1 shows a front perspective view of a hook knife in the open position;

FIG. 2 shows a front perspective view of the hook knife in the closed position;

FIG. 3 shows a rear perspective view of the hook knife in the open position of FIG. 1;

FIG. 4 shows a rear perspective view of the hook knife in the closed position of FIG. 2;

FIG. 5 shows a top plan view of the hook knife in the open position of FIG. 1;

FIG. 6 shows a top plan view of the hook knife in the closed position of FIG. 2;

FIG. 7 shows a bottom plan view of the hook knife in the open position of FIG. 1;

FIG. 8 shows a bottom plan view of the hook knife in the closed position of FIG. 2;

FIG. 9 shows a rear elevation view of the hook knife in the open position of FIG. 1;

FIG. 10 shows a rear elevation view of the hook knife in the closed position of FIG. 2;

FIG. 11 shows a front elevation view of the hook knife in the open position of FIG. 1;

FIG. 12 shows a front elevation view of the hook knife in the closed position of FIG. 2;

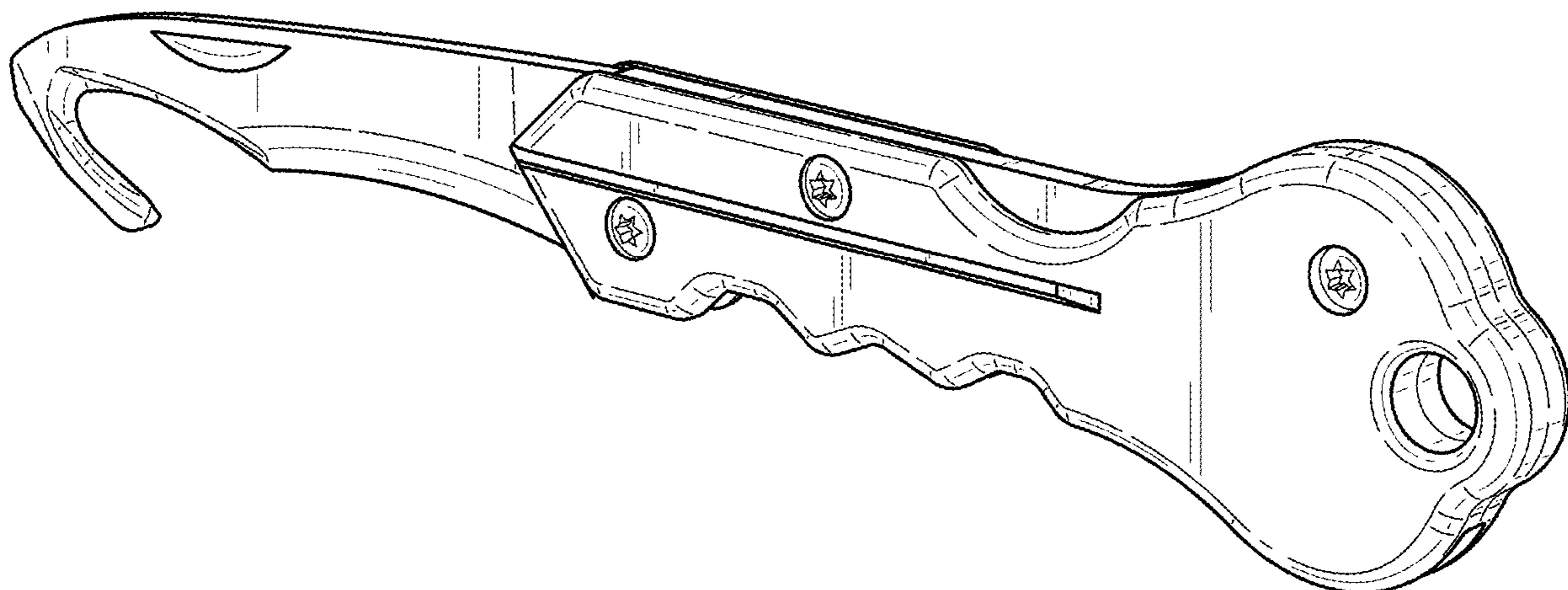
FIG. 13 shows a left side elevation view of the hook knife in the open position of FIG. 1;

FIG. 14 shows a right side elevation view of the hook knife in the open position of FIG. 1;

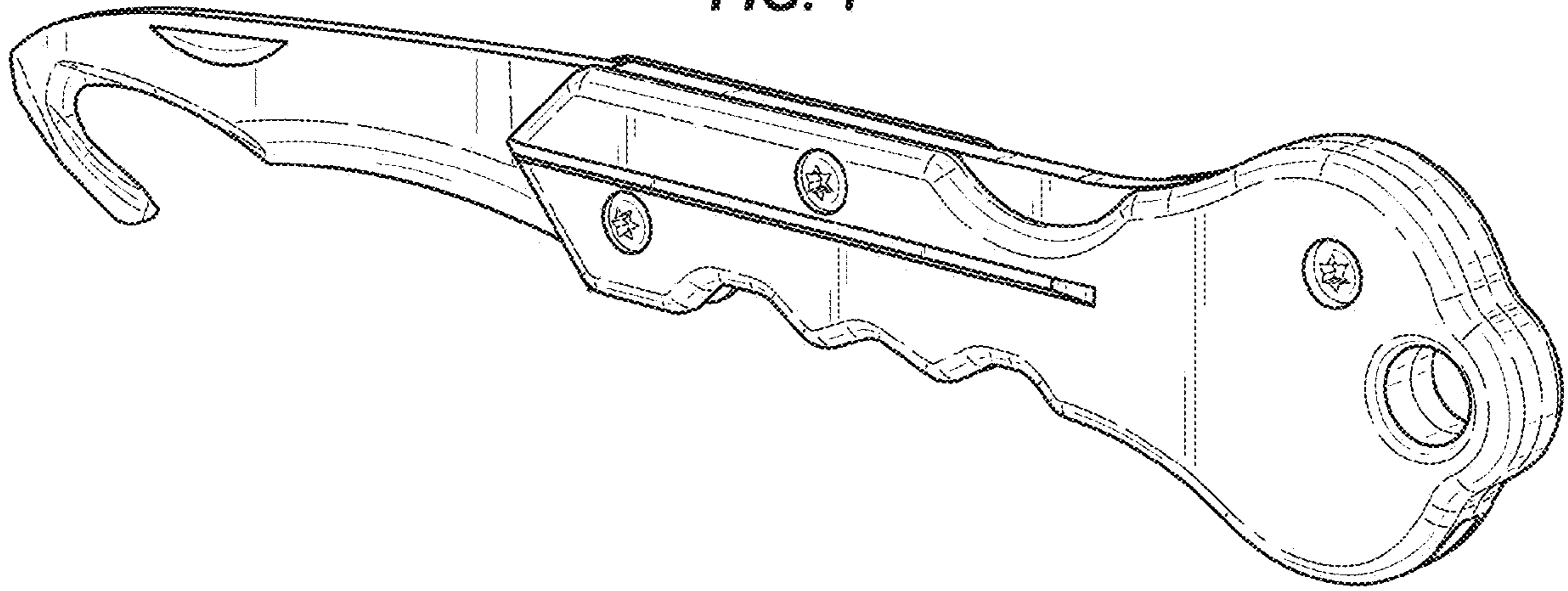
FIG. 15 shows a left side elevation view of the hook knife in the closed position of FIG. 2; and,

FIG. 16 shows a right side elevation view of the hook knife in the closed position of FIG. 2.

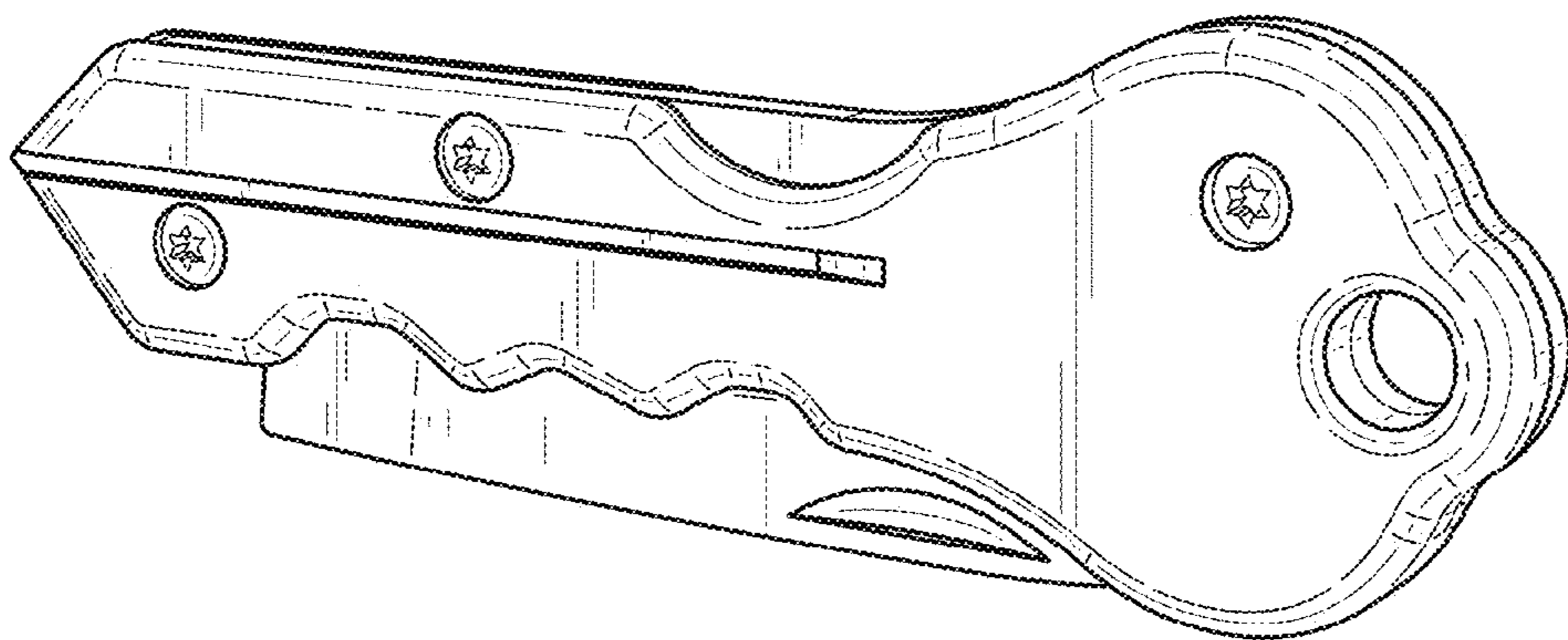
**1 Claim, 5 Drawing Sheets**



**FIG. 1**



**FIG. 2**



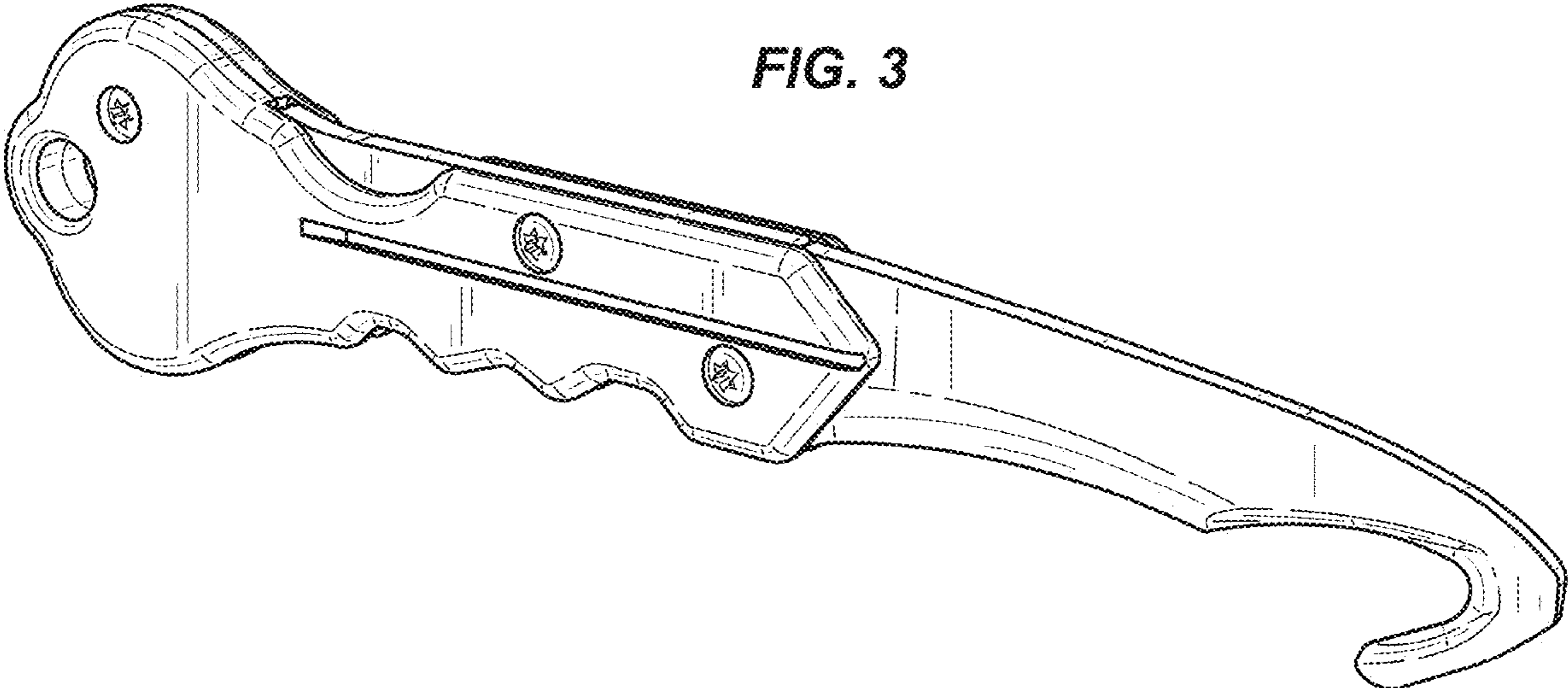
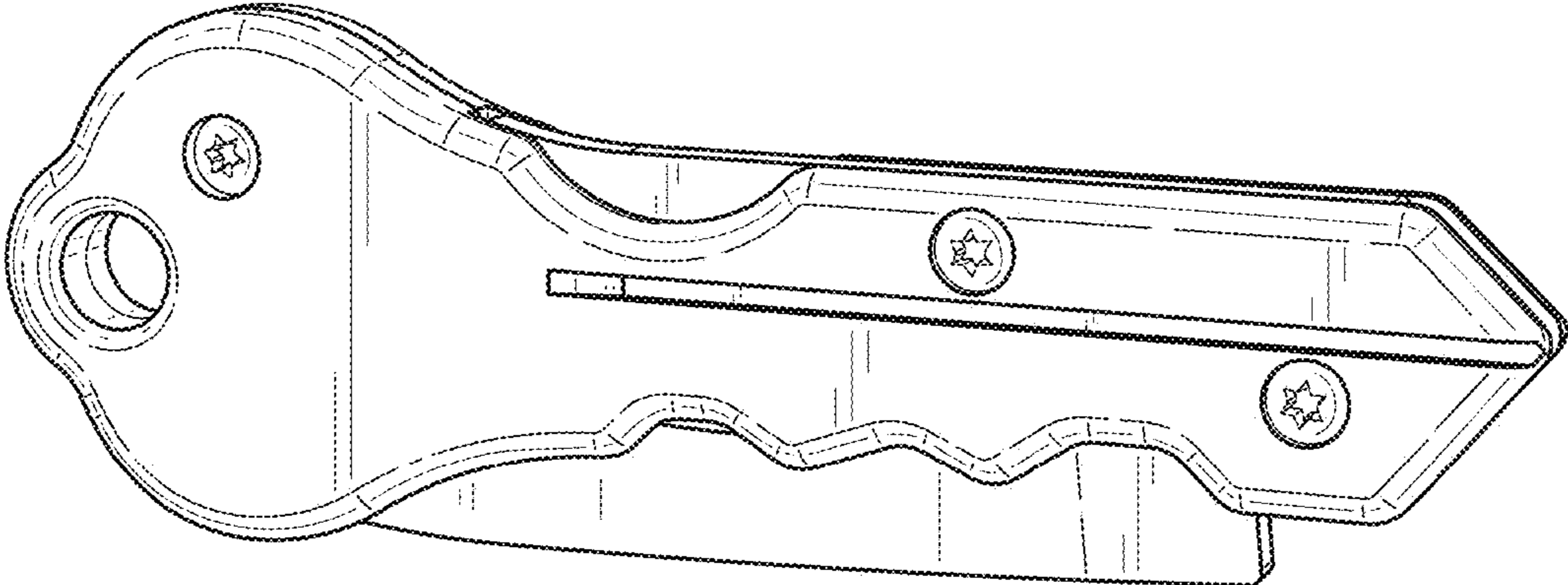
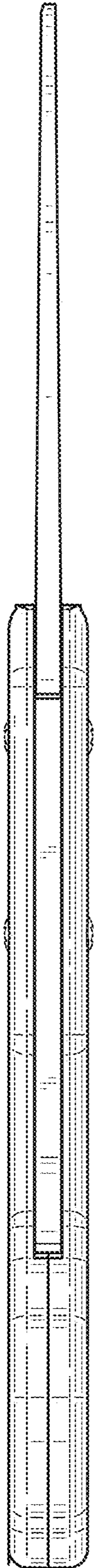


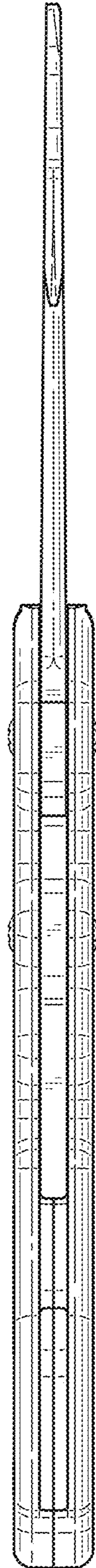
FIG. 4



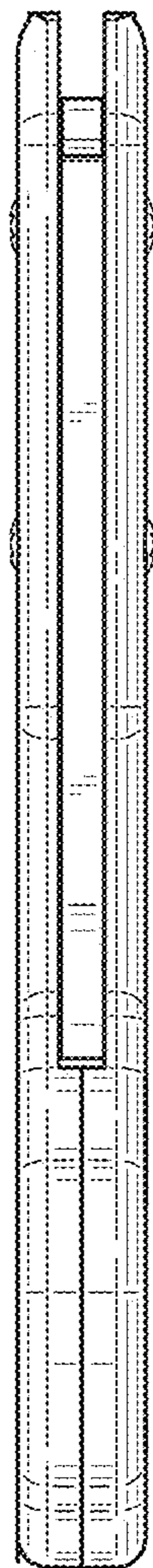
**FIG. 5**



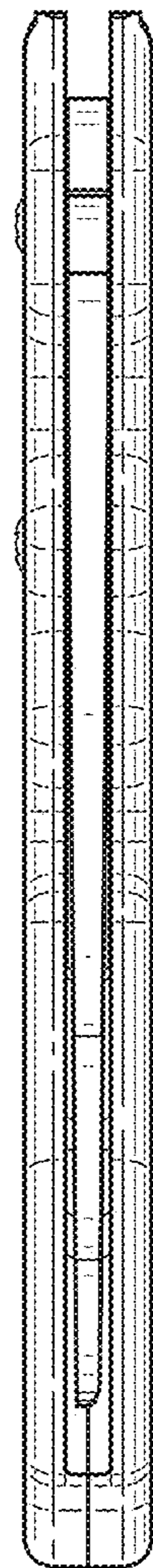
**FIG. 7**

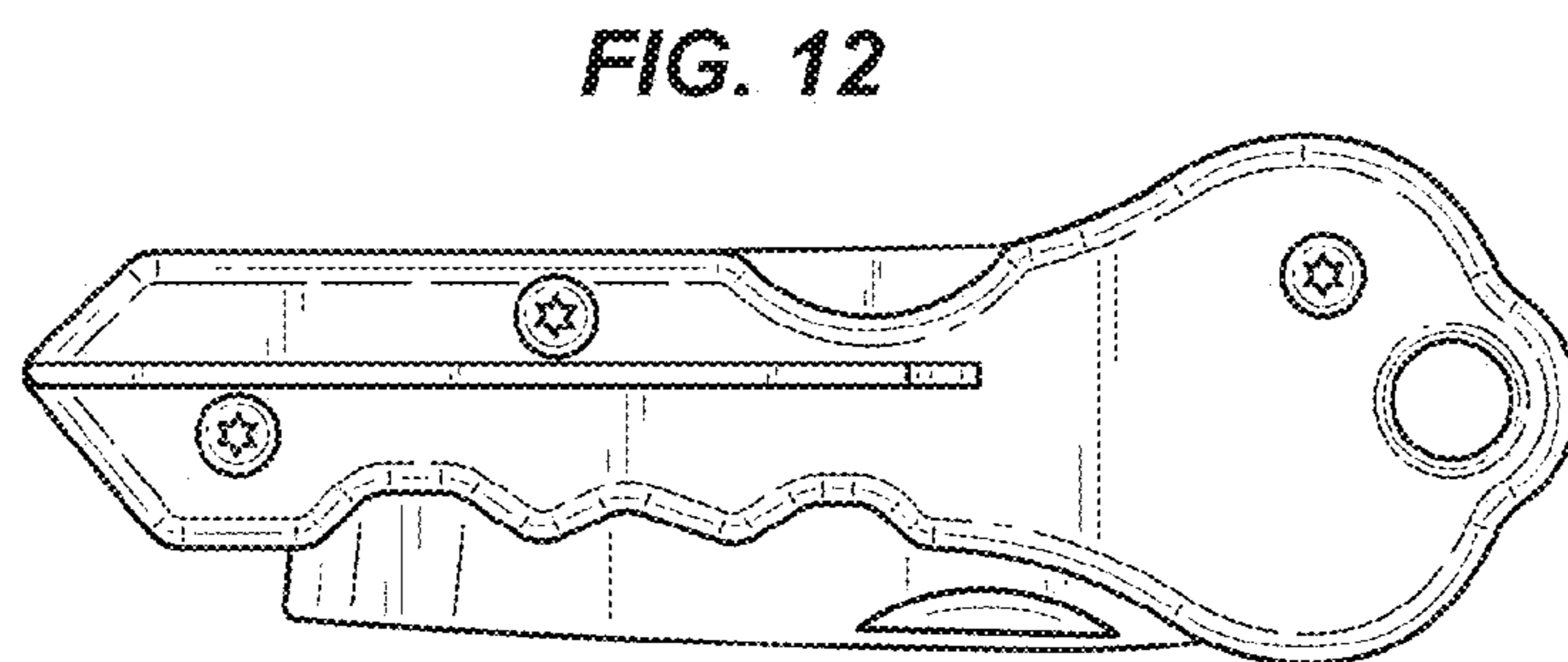
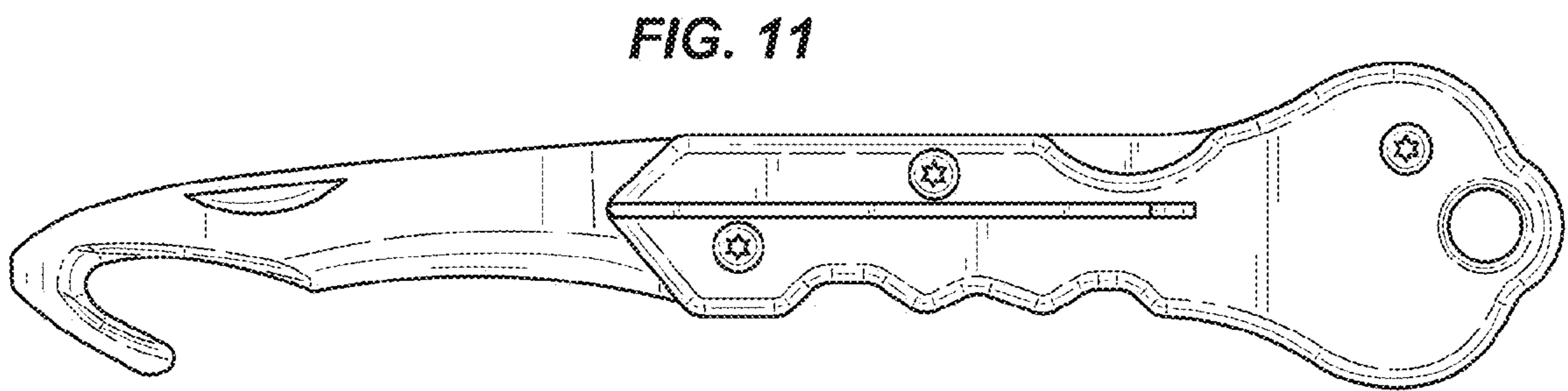
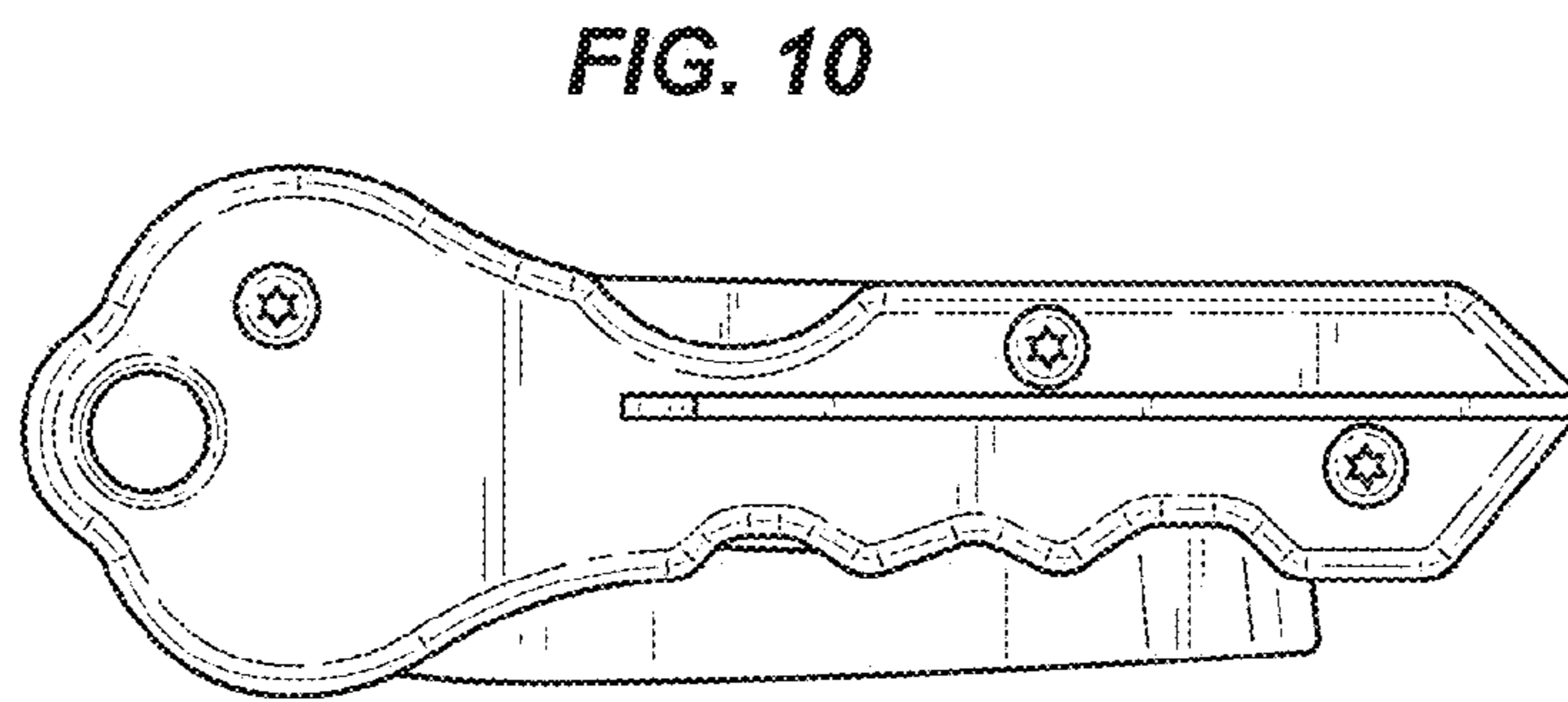
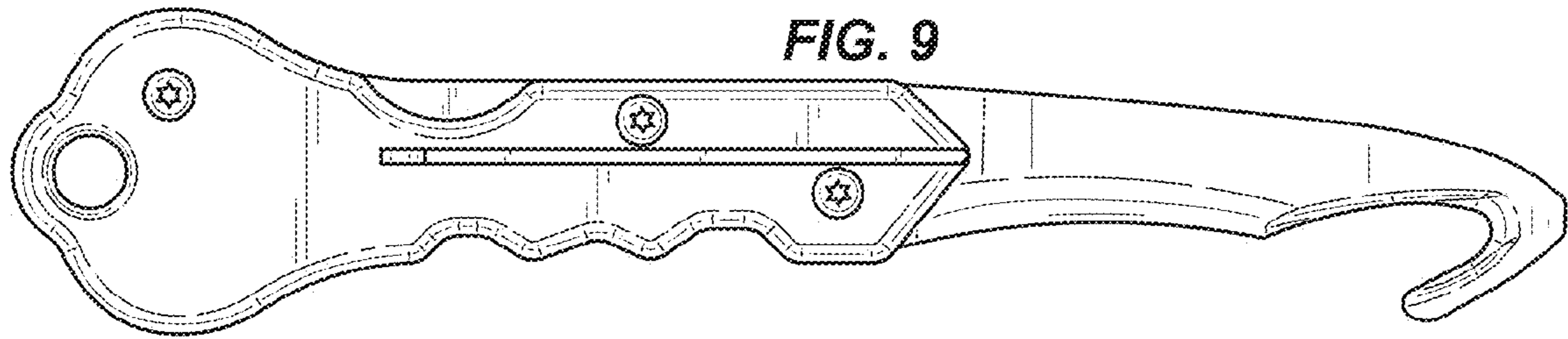


**FIG. 6**

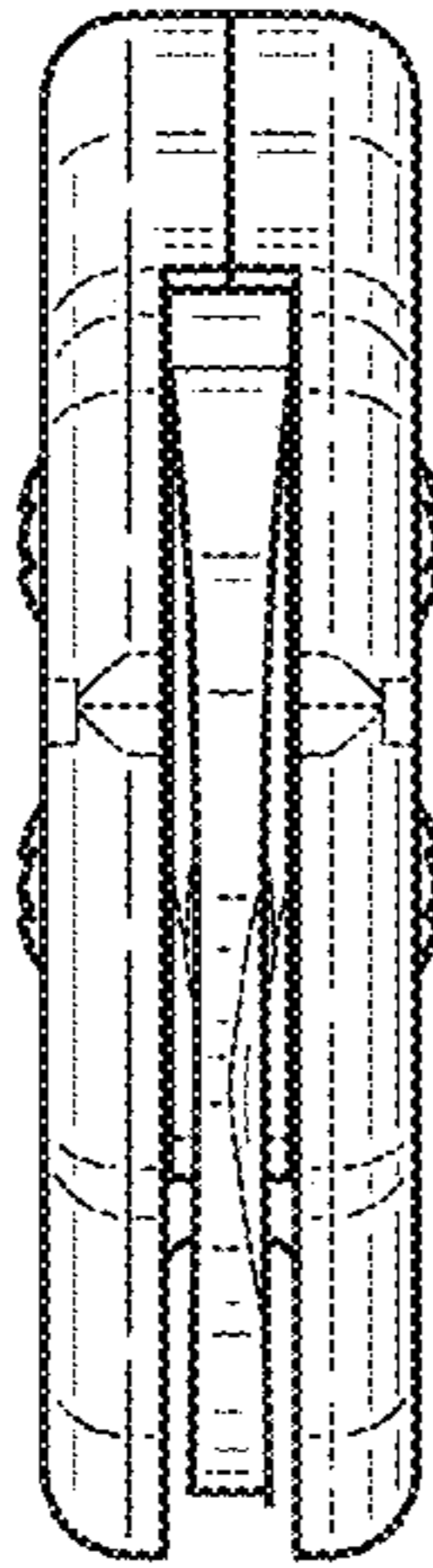


**FIG. 8**

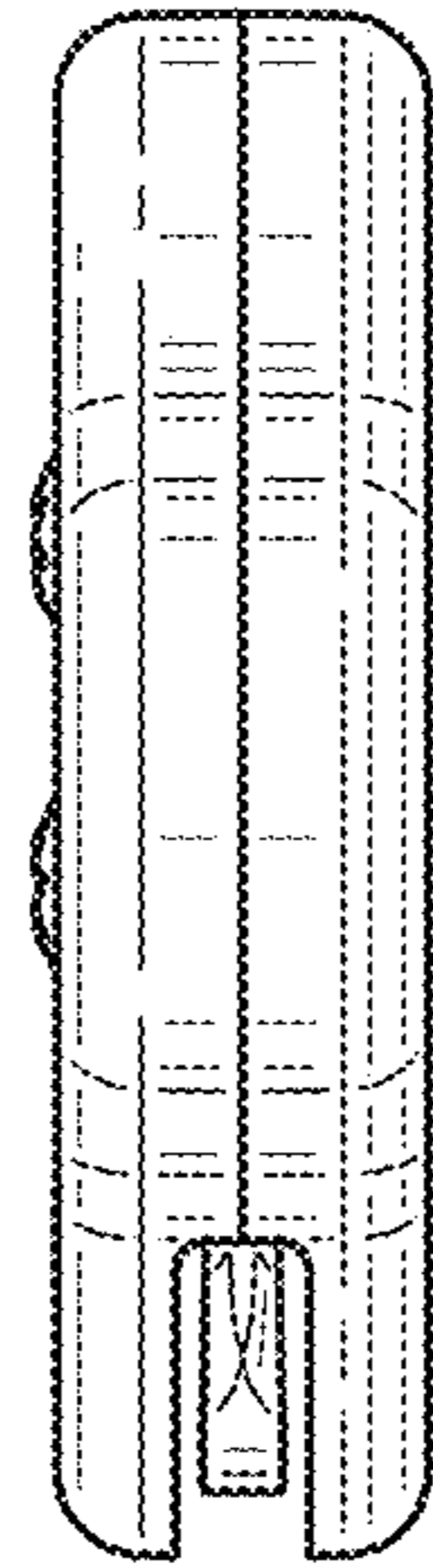




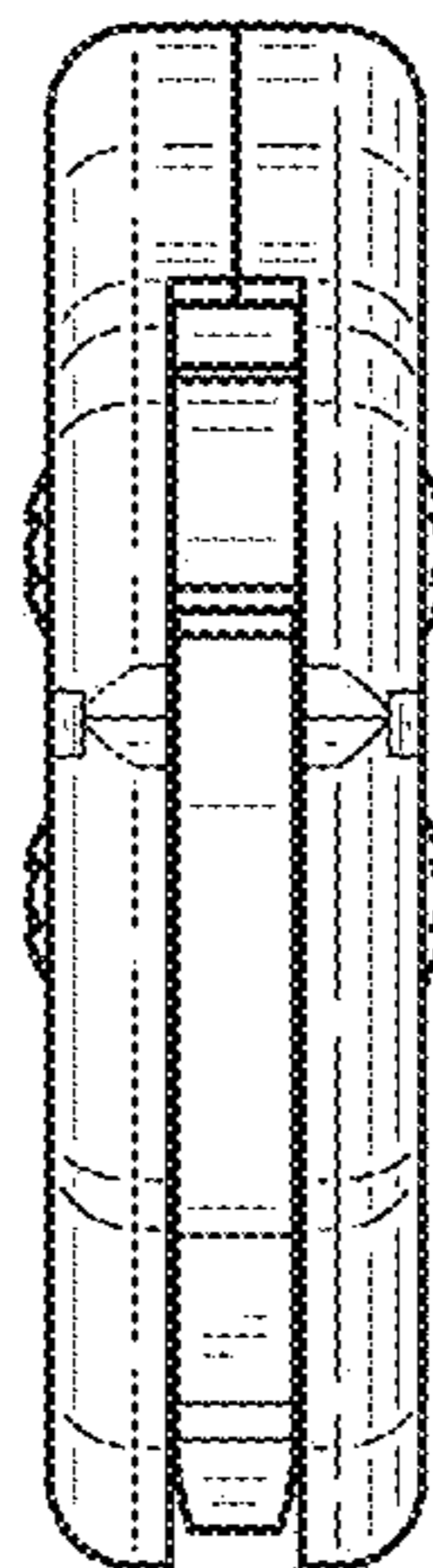
**FIG. 13**



**FIG. 14**



**FIG. 15**



**FIG. 16**

