



US00D889238S

(12) **United States Design Patent** (10) **Patent No.:** **US D889,238 S**
Marfione et al. (45) **Date of Patent:** **** Jul. 7, 2020**

- (54) **POCKET KNIFE**
- (71) Applicants: **Anthony Louis Marfione**, Fletcher, NC (US); **Sean Christopher Marfione**, Fletcher, NC (US)
- (72) Inventors: **Anthony Louis Marfione**, Fletcher, NC (US); **Sean Christopher Marfione**, Fletcher, NC (US)
- (73) Assignee: **Microtech Knives, Inc.**, Bradford, PA (US)
- (**) Term: **15 Years**
- (21) Appl. No.: **29/692,194**
- (22) Filed: **May 23, 2019**
- (51) **LOC (12) Cl.** **08-03**
- (52) **U.S. Cl.**
USPC **D8/99**
- (58) **Field of Classification Search**
USPC D8/98, 99, 100, 105, 107; D22/118
CPC B26B 5/001; B26B 5/003; B26B 11/00;
B26B 1/02; B26B 1/10; B26B 1/04;
B26B 1/042; B26B 1/044; B26B 1/046
See application file for complete search history.

5,502,895 A	4/1996	Lemaire	
5,511,311 A	4/1996	Collins	
5,617,635 A	4/1997	Berns	
D385,173 S	10/1997	McWillis	
D387,966 S	12/1997	Horn	
D389,389 S	1/1998	Glesser	
5,819,414 A	10/1998	Marifone	
D407,002 S	3/1999	Morton	
D407,004 S	3/1999	Hull	
6,085,423 A	7/2000	Marifone	
6,101,724 A	8/2000	Halligan	
6,148,522 A	11/2000	Dobandi	
D435,421 S	12/2000	Strider	
6,154,965 A	12/2000	Sakai	
D438,443 S	3/2001	Keating	
D464,246 S	10/2002	Sloan	
D473,917 S	4/2003	Carter, III	
D474,669 S	5/2003	Onion	
D488,045 S	4/2004	Onion	
D494,440 S *	8/2004	Carter, III D22/118
D505,057 S	5/2005	Ralph	

(Continued)

Primary Examiner — Philip S Hyder
 (74) *Attorney, Agent, or Firm* — Steve LeBlanc, LLC

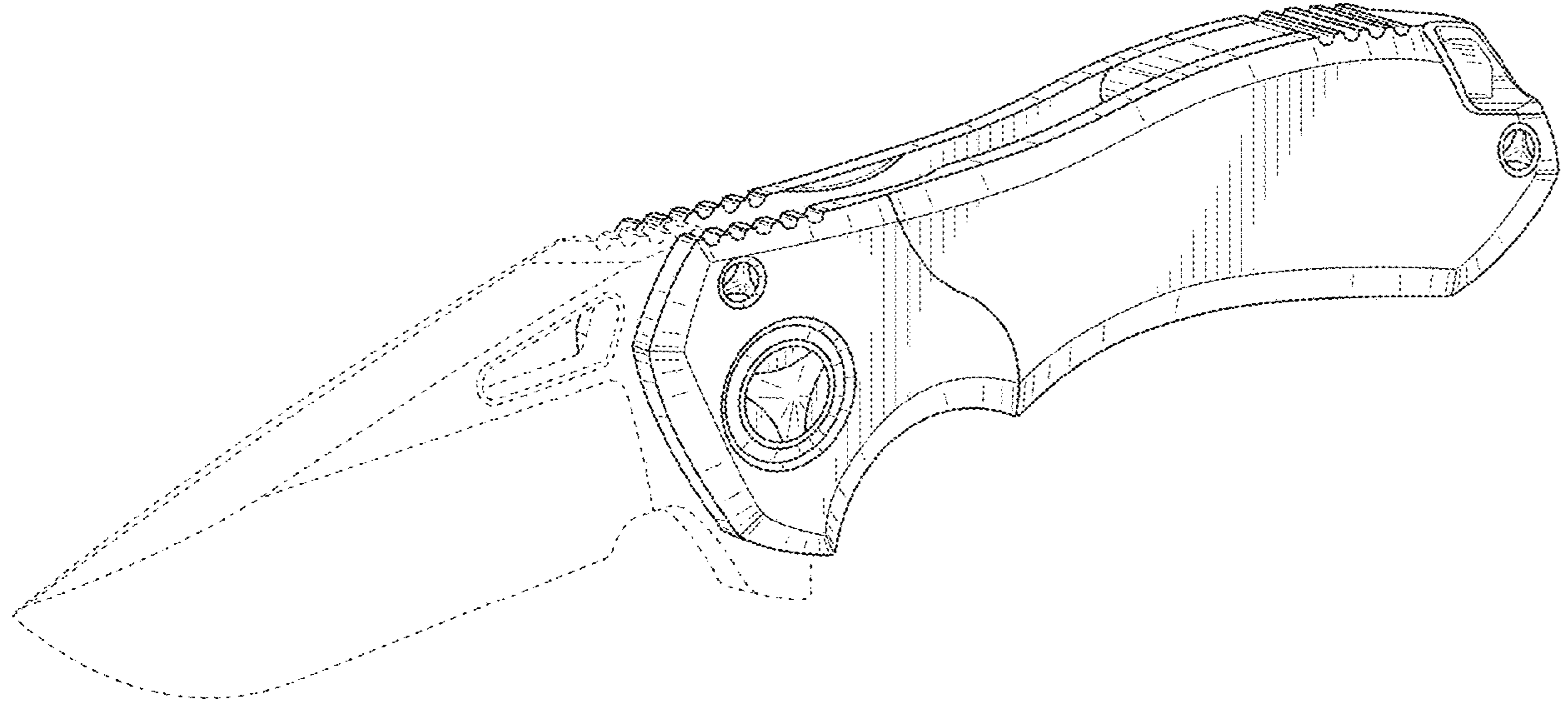
(57) **CLAIM**
 The ornamental design for a pocket knife, as shown and described.

DESCRIPTION

FIG. 1 is a perspective view of a pocket knife showing our new design;
 FIG. 2 is a left side elevation view thereof;
 FIG. 3 is a right side elevation view thereof;
 FIG. 4 is a top plan view thereof;
 FIG. 5 is a bottom plan view thereof;
 FIG. 6 is a front elevation view thereof; and,
 FIG. 7 is a rear elevation view thereof.
 The broken line showing of the blade forms no part of the claimed design.

1 Claim, 5 Drawing Sheets

- (56) **References Cited**
 U.S. PATENT DOCUMENTS
- | | | |
|-------------|---------|-----------|
| 1,056,404 A | 3/1913 | Lorenzo |
| 1,231,058 A | 6/1917 | Pansa |
| 2,854,745 A | 10/1958 | Braverman |
| 4,089,112 A | 5/1978 | Richards |
| D265,719 S | 9/1982 | Dowdy |
| D276,887 S | 12/1984 | Sakurai |
| 4,523,379 A | 6/1985 | Osterhout |
| 4,744,146 A | 5/1988 | Schmidt |
| 4,947,552 A | 9/1990 | Barnes |
| 5,060,379 A | 10/1991 | Neely |
| D347,375 S | 5/1994 | Sakai |



(56)

References Cited

U.S. PATENT DOCUMENTS

D510,249 S 10/2005 Ray
 7,086,158 B1 9/2006 Halpern
 7,305,729 B2 12/2007 Dehner
 7,305,769 B2 12/2007 McHenry
 D560,996 S * 2/2008 Onion D8/99
 D567,054 S * 4/2008 Renzi D8/99
 D567,055 S 4/2008 Renzi
 D569,213 S * 5/2008 Renzi D8/99
 D570,180 S * 6/2008 Onion D8/99
 D578,857 S 10/2008 Yang-Fu
 D613,754 S 4/2010 Barcheck
 D614,933 S 5/2010 Freeman
 7,797,838 B2 9/2010 Chu
 D636,051 S 4/2011 Freeman
 7,979,990 B2 7/2011 Hawk et al.
 8,028,419 B2 10/2011 VanHoy
 D677,551 S 3/2013 Pelton
 D696,567 S * 12/2013 Leh D8/99
 D697,780 S 1/2014 Pelton
 8,671,578 B1 3/2014 Frazer
 D703,510 S * 4/2014 Hyma D8/99
 D706,107 S 6/2014 Pelton

D716,127 S * 10/2014 Leh D8/99
 D737,110 S 8/2015 Schuft
 D743,769 S * 11/2015 Glesser D8/99
 D753,459 S 4/2016 Glesser
 D765,217 S 8/2016 Tom
 D768,455 S * 10/2016 Xin D8/99
 D768,456 S 10/2016 Cheng
 D768,458 S 10/2016 Mingyi
 D769,692 S * 10/2016 Squiers D8/99
 D769,694 S 10/2016 Mingyi
 9,573,282 B1 2/2017 Sheahan
 D789,763 S * 6/2017 Squiers D8/99
 D863,928 S * 10/2019 Chalfant D8/99
 D863,930 S * 10/2019 Chalfant D8/99
 2005/0044717 A1 3/2005 Nishihara
 2005/0252010 A1 11/2005 Freeman
 2006/0143929 A1 7/2006 Lake
 2007/0204468 A1 9/2007 Cheng
 2012/0180320 A1 7/2012 Lo
 2012/0304470 A1 * 12/2012 Freeman B26B 1/046
 30/159
 2015/0343650 A1 * 12/2015 Valdez B26B 1/044
 30/159
 2015/0367520 A1 12/2015 MacNair

* cited by examiner

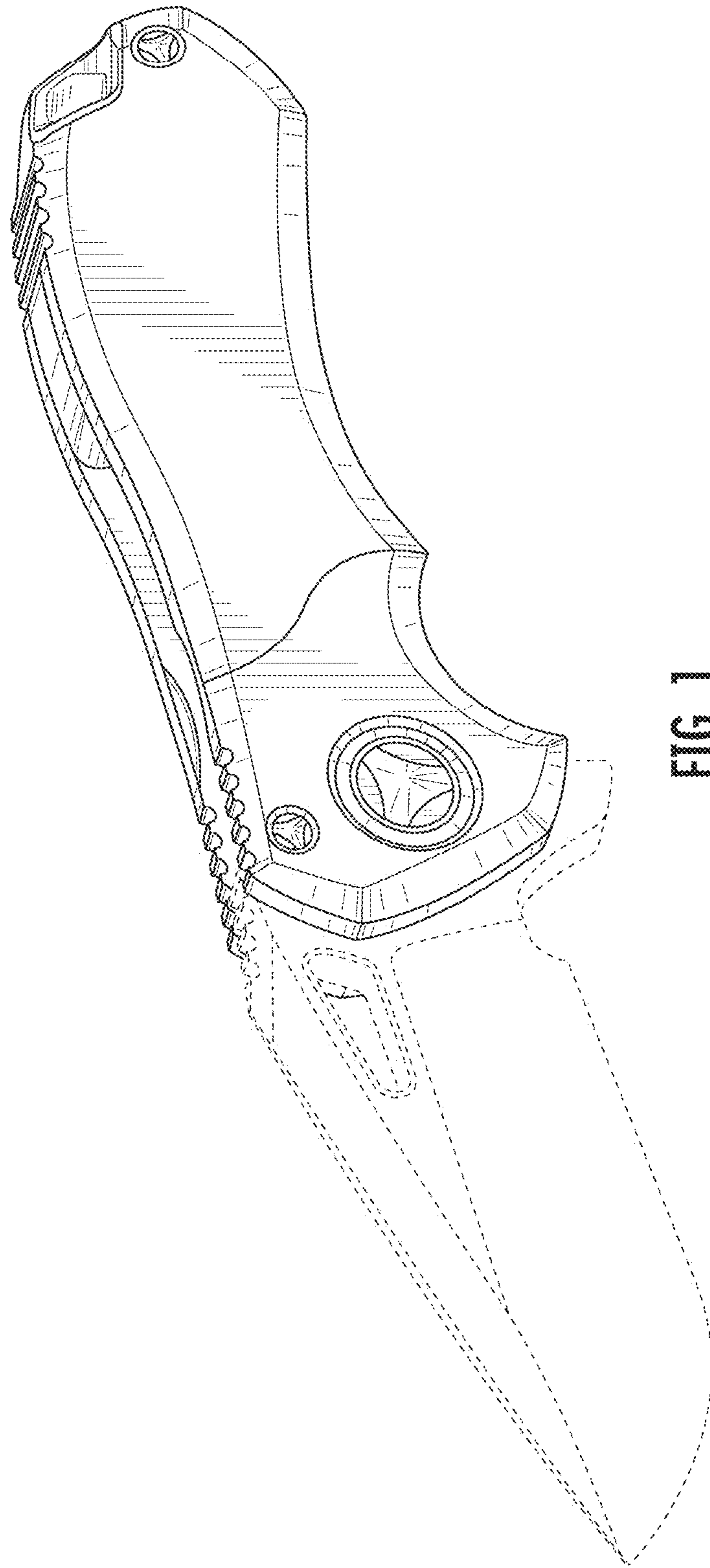


FIG. 1

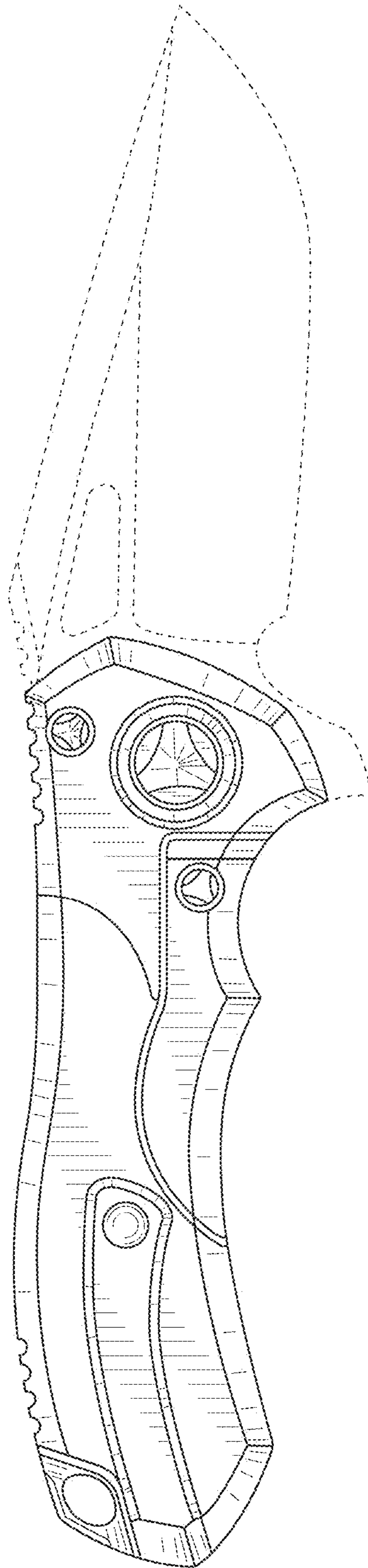


FIG. 2

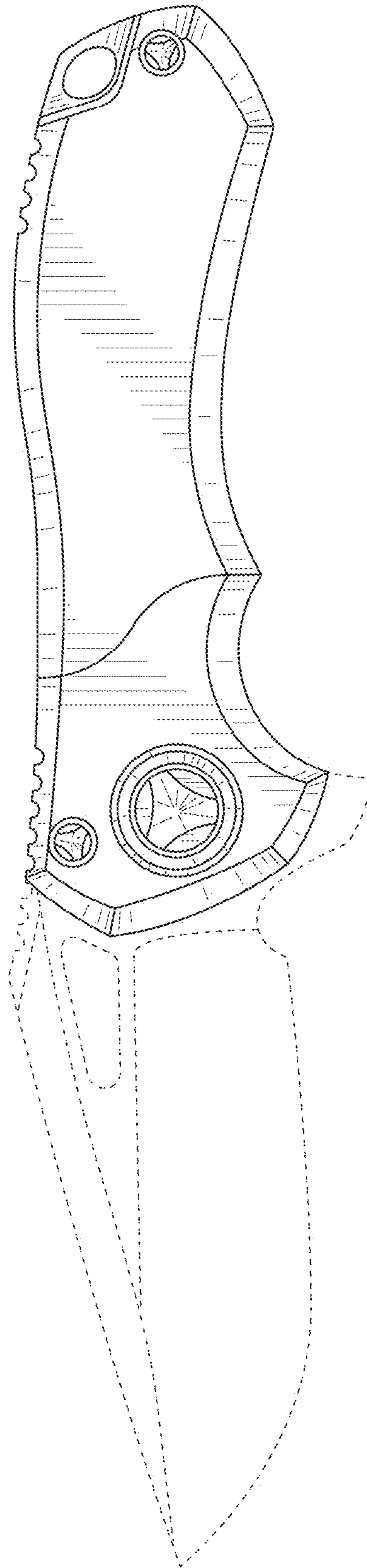


FIG. 3

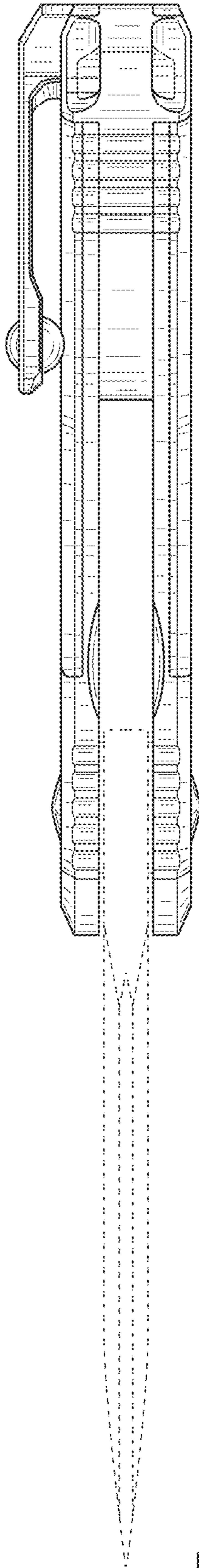


FIG. 4

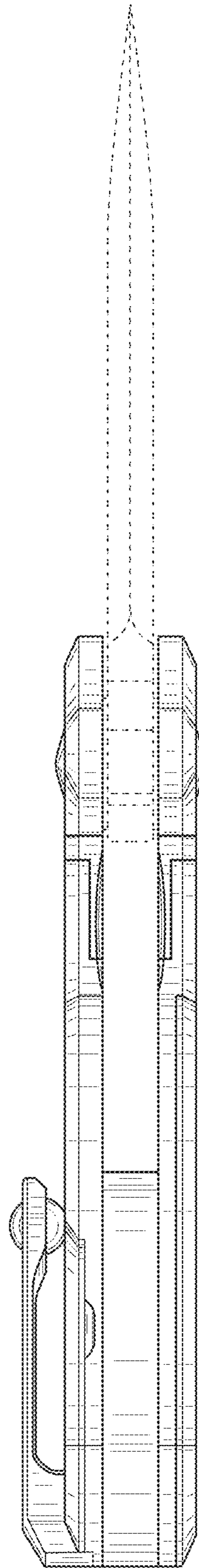


FIG. 5

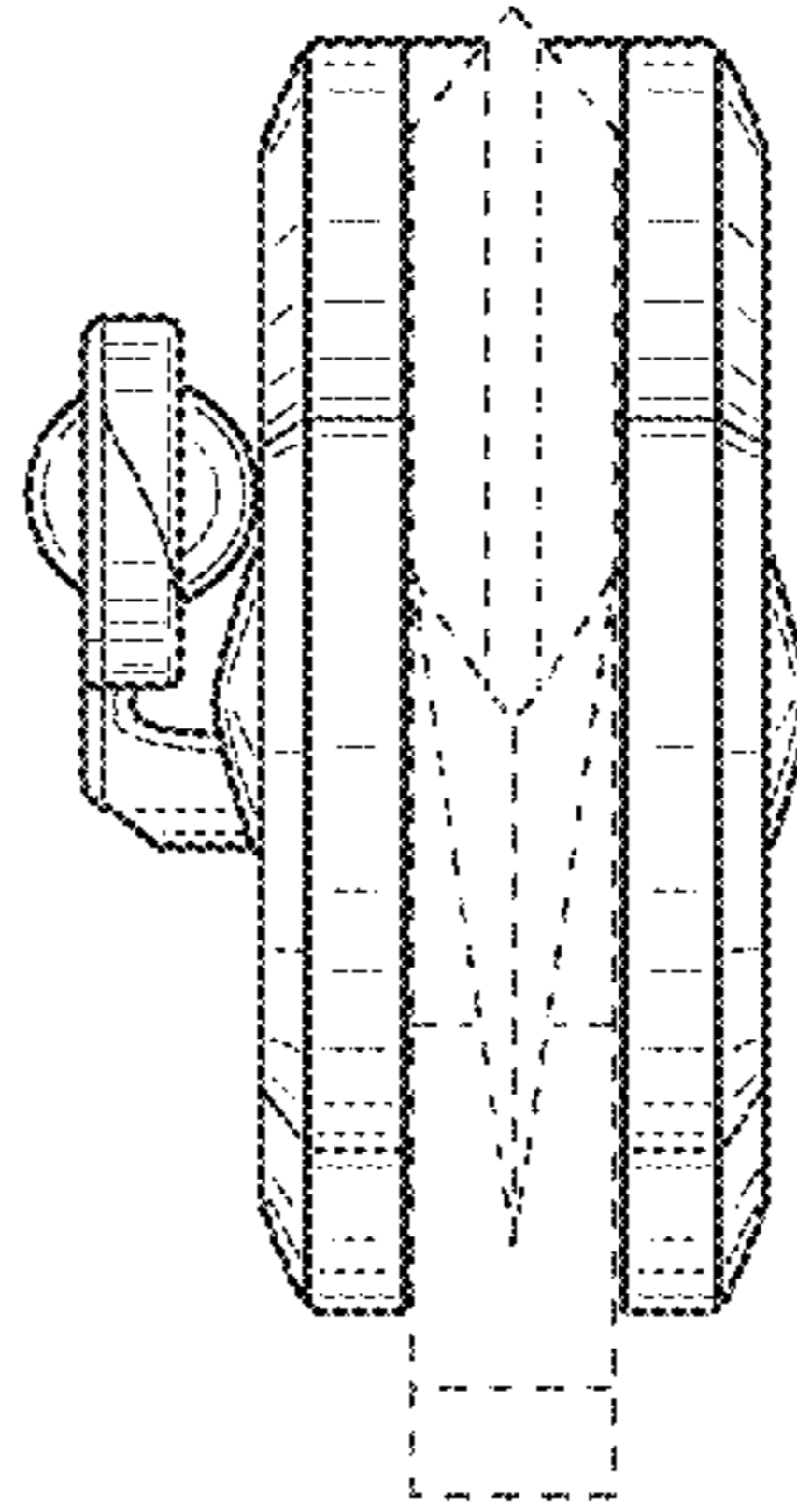


FIG. 6

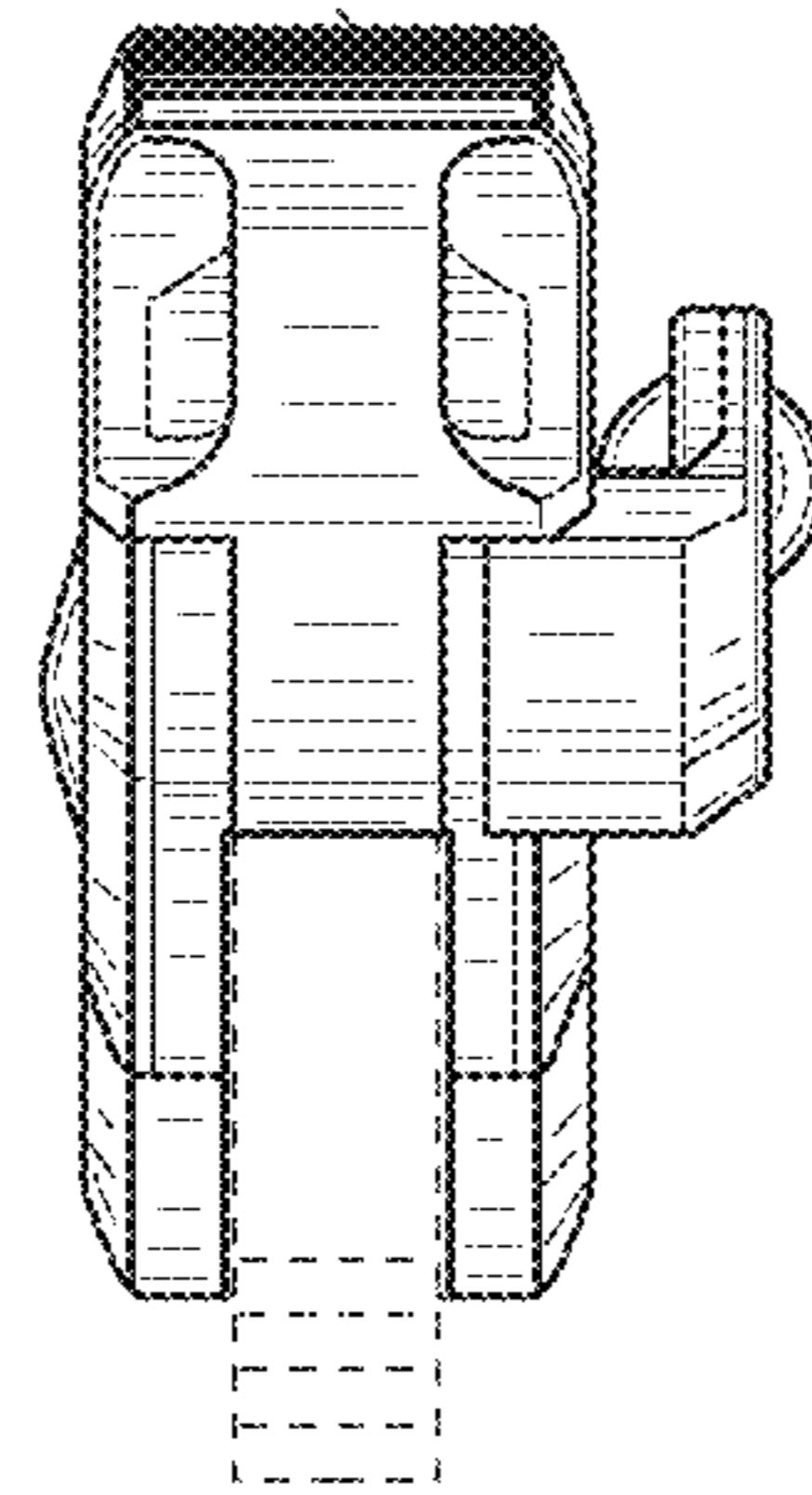


FIG. 7