



US00D889237S

(12) **United States Design Patent**
Bloch

(10) **Patent No.:** **US D889,237 S**

(45) **Date of Patent:** **** Jul. 7, 2020**

- (54) **KNIFE WITH A REMOVABLE WHISTLE**
- (71) Applicant: **Outdoor Edge Cutlery Corporation,**
Denver, CO (US)
- (72) Inventor: **David R. Bloch,** Morrison, CO (US)
- (73) Assignee: **OUTDOOR EDGE CUTLERY**
CORPORATION, Denver, CO (US)
- (**) Term: **15 Years**

Primary Examiner — Philip S Hyder
(74) *Attorney, Agent, or Firm* — Fisherbroyles, LLP;
Craig W. Mueller

(21) Appl. No.: **29/676,107**

(22) Filed: **Jan. 8, 2019**

(51) **LOC (12) Cl.** **08-03**

(52) **U.S. Cl.**
USPC **D8/99; D10/119.3**

(58) **Field of Classification Search**
USPC D8/14, 98.99, 105; D10/119.1, 119.2,
D10/119.3
CPC B26B 1/00; B26B 1/02; B26B 1/04; B26B
1/042; B26B 1/044; B26B 1/048; B26B
1/08; B26B 1/10; B26B 11/00
See application file for complete search history.

(56) **References Cited**

U.S. PATENT DOCUMENTS

4,882,841	A	11/1989	Margolis	
5,214,853	A	6/1993	Bray et al.	
5,279,628	A *	1/1994	Hutchens F24B 15/005 44/506
5,313,376	A *	5/1994	McIntosh F21V 33/0084 362/119
D474,391	S *	5/2003	Padden D26/38
6,619,225	B1	9/2003	Presniakov et al.	

(Continued)

FOREIGN PATENT DOCUMENTS

CN		99201502	Y	2/2000
CN		201895331	U	7/2011

(Continued)

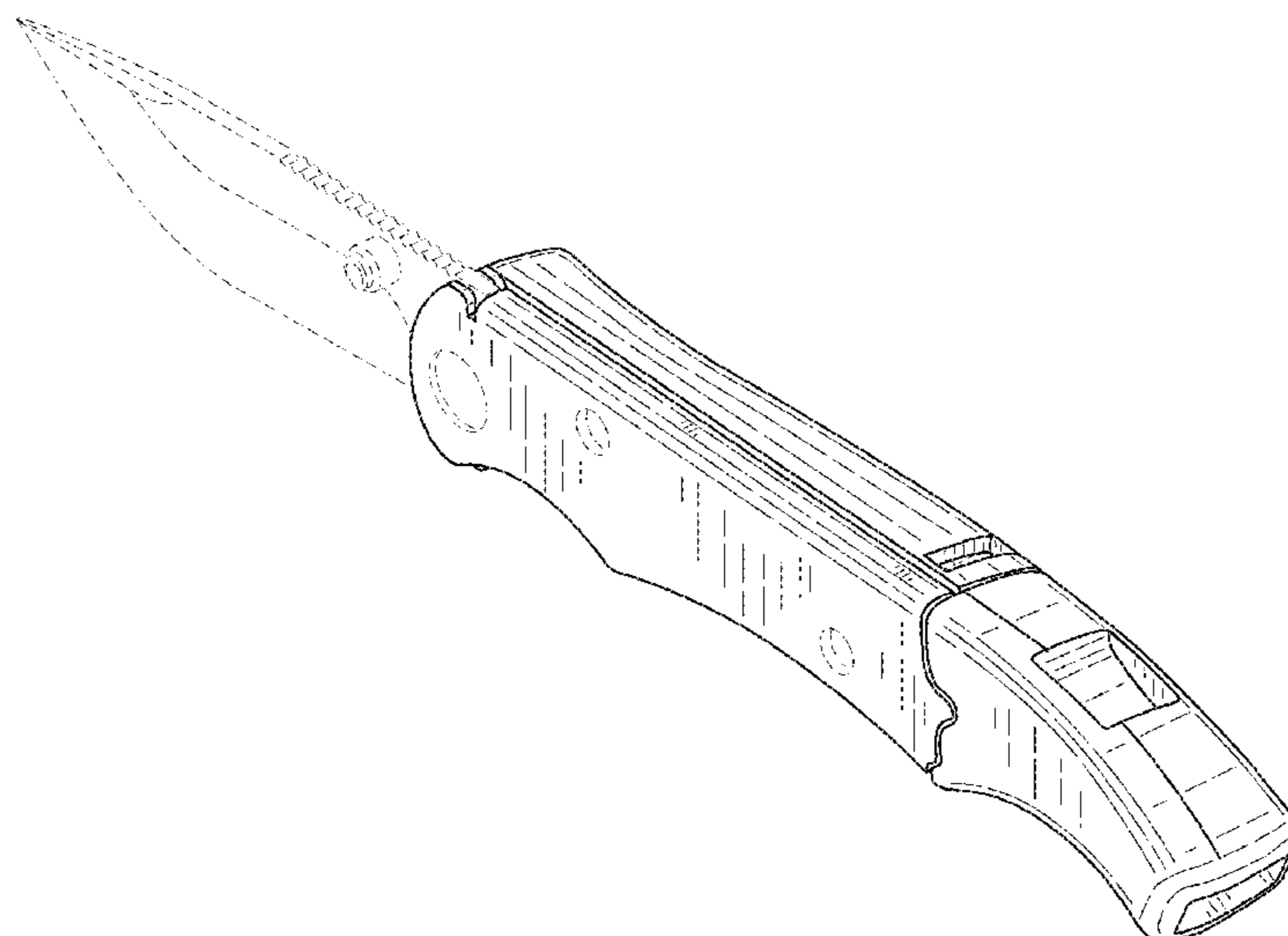
(57) **CLAIM**

The ornamental design for a knife with a removable whistle,
as shown and described.

DESCRIPTION

FIG. 1 is a front perspective view of the knife showing the new design;
 FIG. 2 is a rear perspective view thereof;
 FIG. 3 is a front elevation view thereof;
 FIG. 4 is a rear elevation view thereof;
 FIG. 5 is a top plan view thereof;
 FIG. 6 is a bottom plan view thereof;
 FIG. 7 is a left elevation view thereof;
 FIG. 8 is a right elevation view thereof;
 FIG. 9 is a perspective view of the knife in a second position of use, wherein a whistle is removed from a knife handle;
 FIG. 10 is a front perspective view of the knife in a third position of use wherein a knife blade is in a folded configuration;
 FIG. 11 is a rear perspective view thereof;
 FIG. 12 is a front elevation view thereof;
 FIG. 13 is a rear elevation view thereof;
 FIG. 14 is a top plan view thereof;
 FIG. 15 is a bottom plan view thereof;
 FIG. 16 is a left elevation view thereof;
 FIG. 17 is a right elevation view thereof; and,
 FIG. 18 is a perspective view of the knife in a fourth position of use, wherein the whistle is removed from the knife handle and the knife blade is in the folded configuration.
 The broken lines depict portions of the knife with removable whistle in which the design is embodied that are not considered part of the claimed design.

1 Claim, 14 Drawing Sheets



(56)

References Cited

U.S. PATENT DOCUMENTS

D502,421 S * 3/2005 Cheng D10/119.1
D758,822 S * 6/2016 Windom D8/99
D863,927 S * 10/2019 Chalfant D8/99
2013/0025131 A1* 1/2013 Porret G10K 5/00
30/123
2016/0271810 A1* 9/2016 Cassie B26B 11/00
2017/0355086 A1* 12/2017 Lee B26B 11/001

FOREIGN PATENT DOCUMENTS

CN 205614706 U 10/2016
EP 2551072 B1 9/2018

* cited by examiner

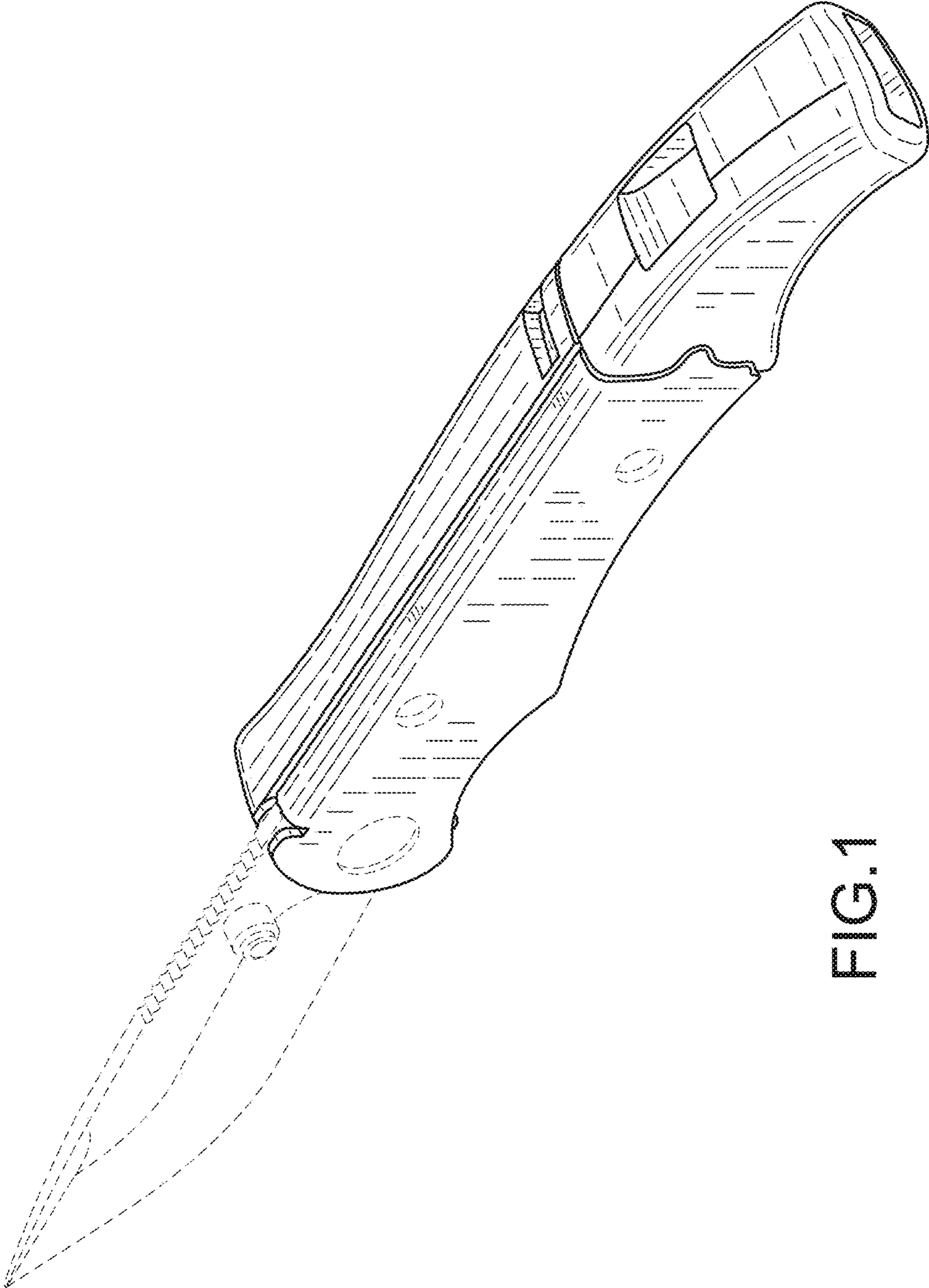


FIG.1

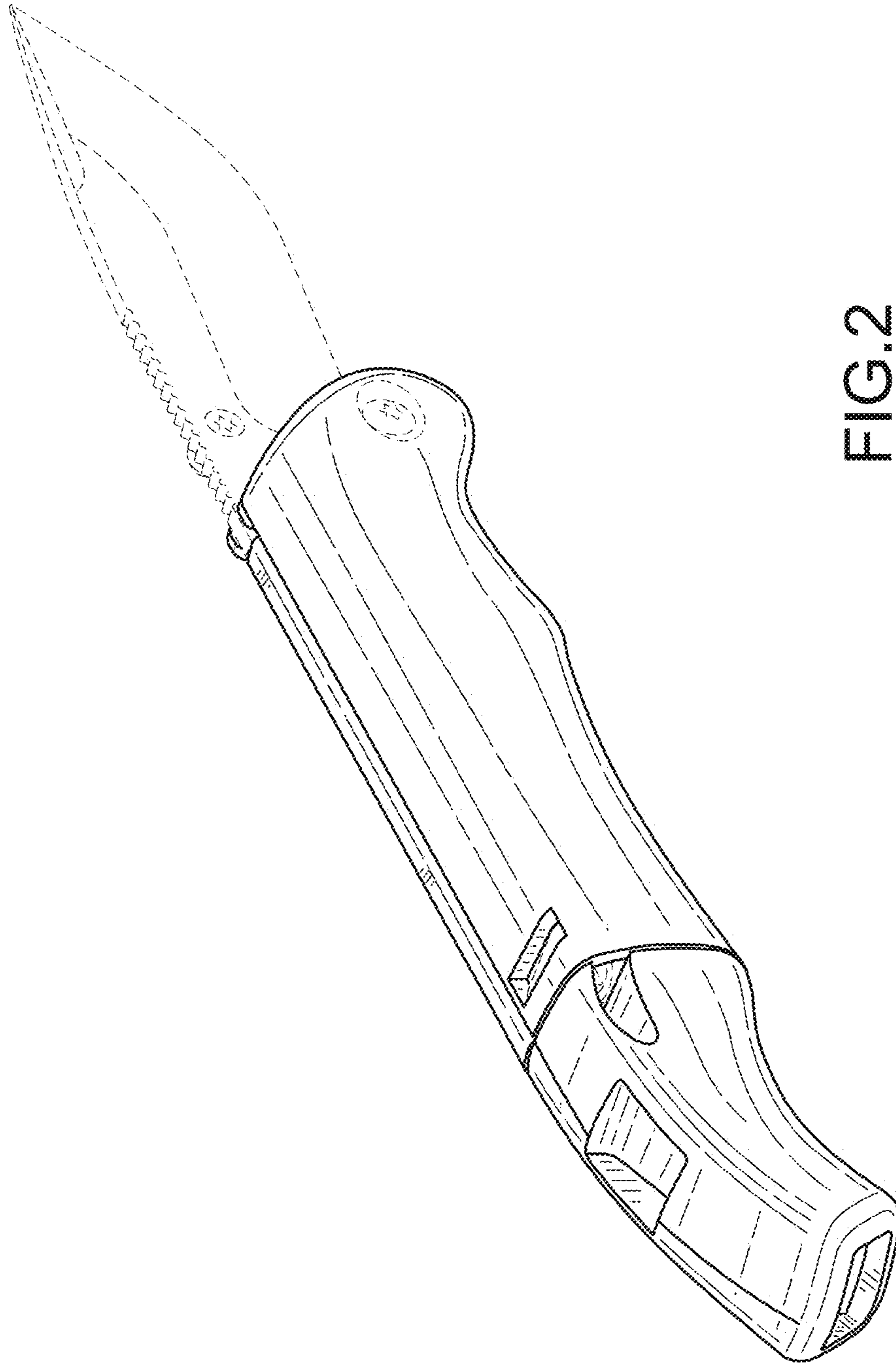


FIG.2

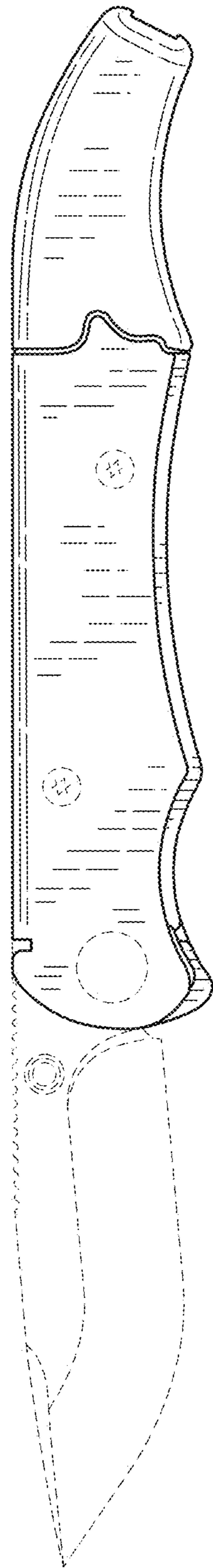


FIG. 3

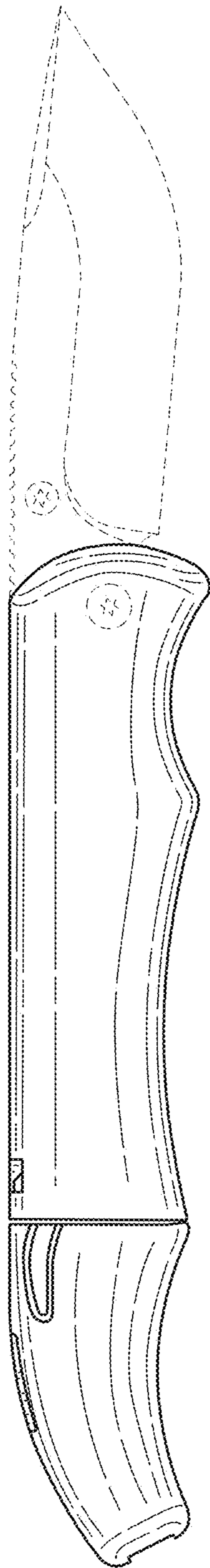


FIG.4

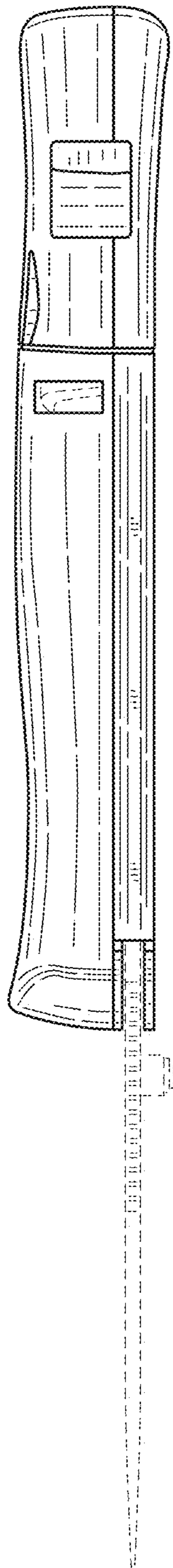


FIG. 5

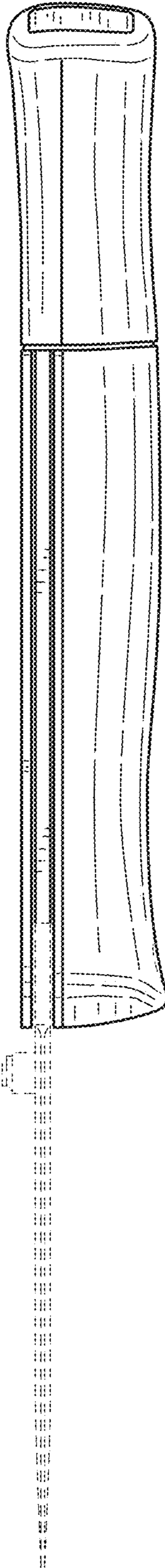


FIG. 6

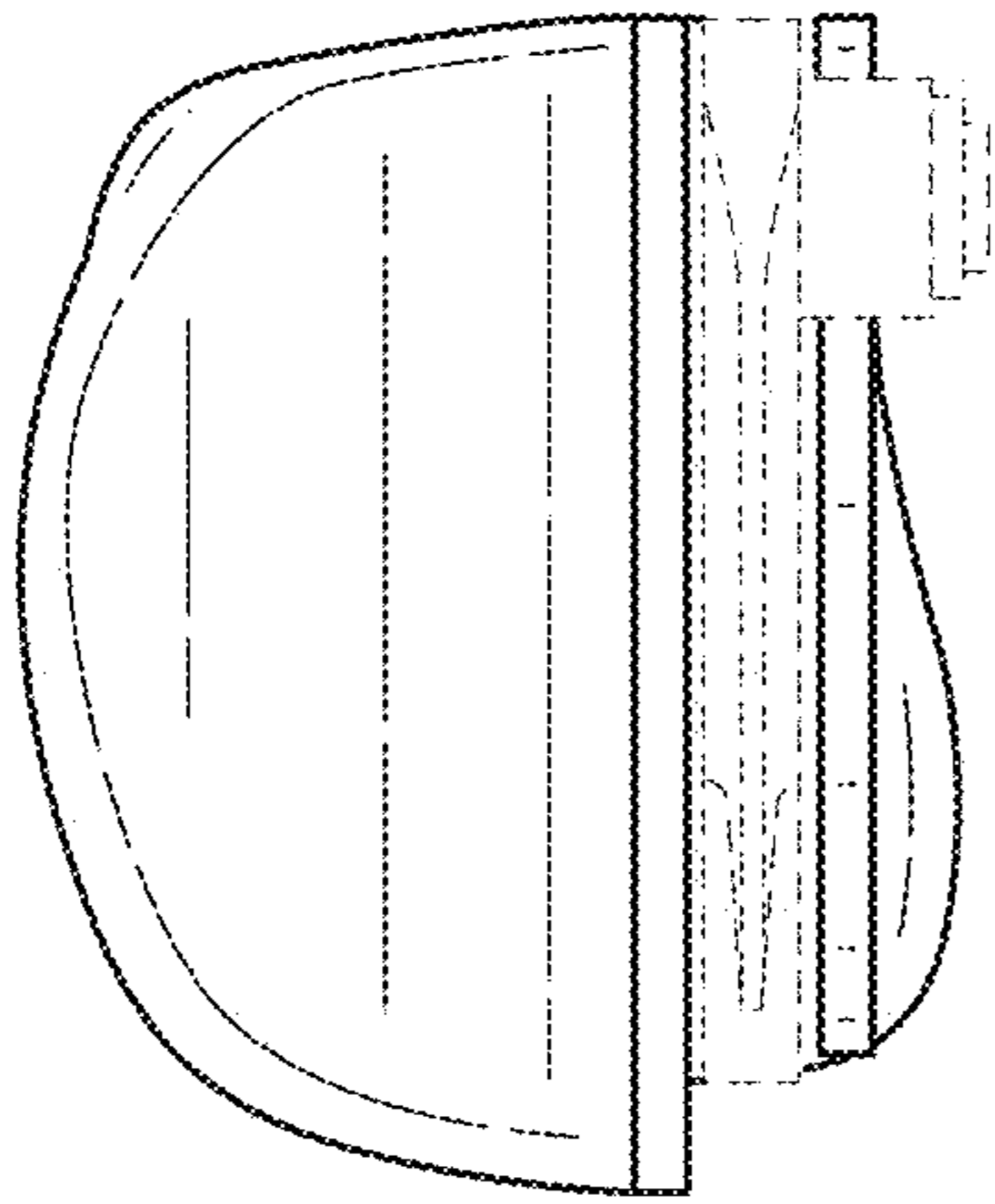


FIG. 7

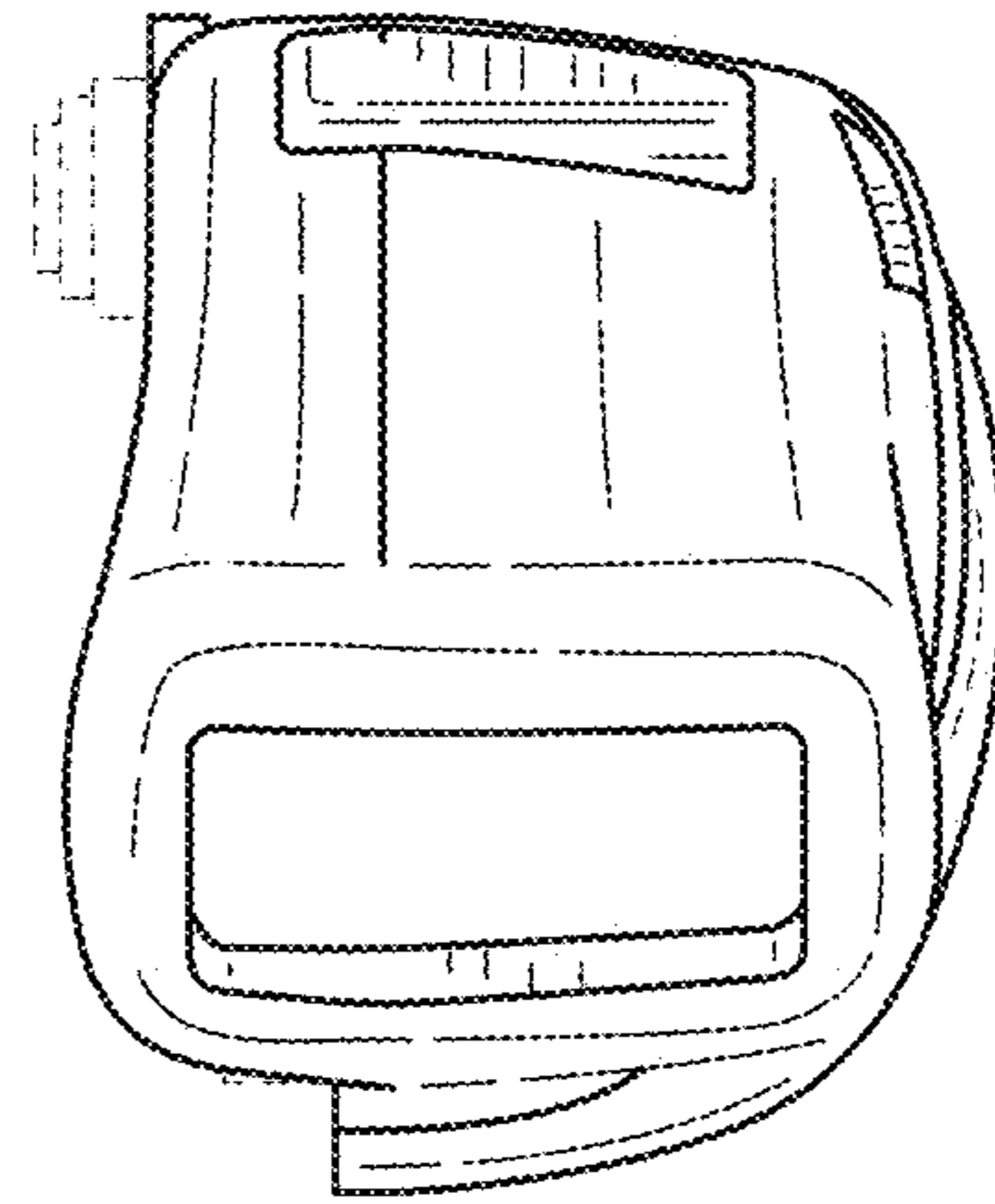


FIG. 8

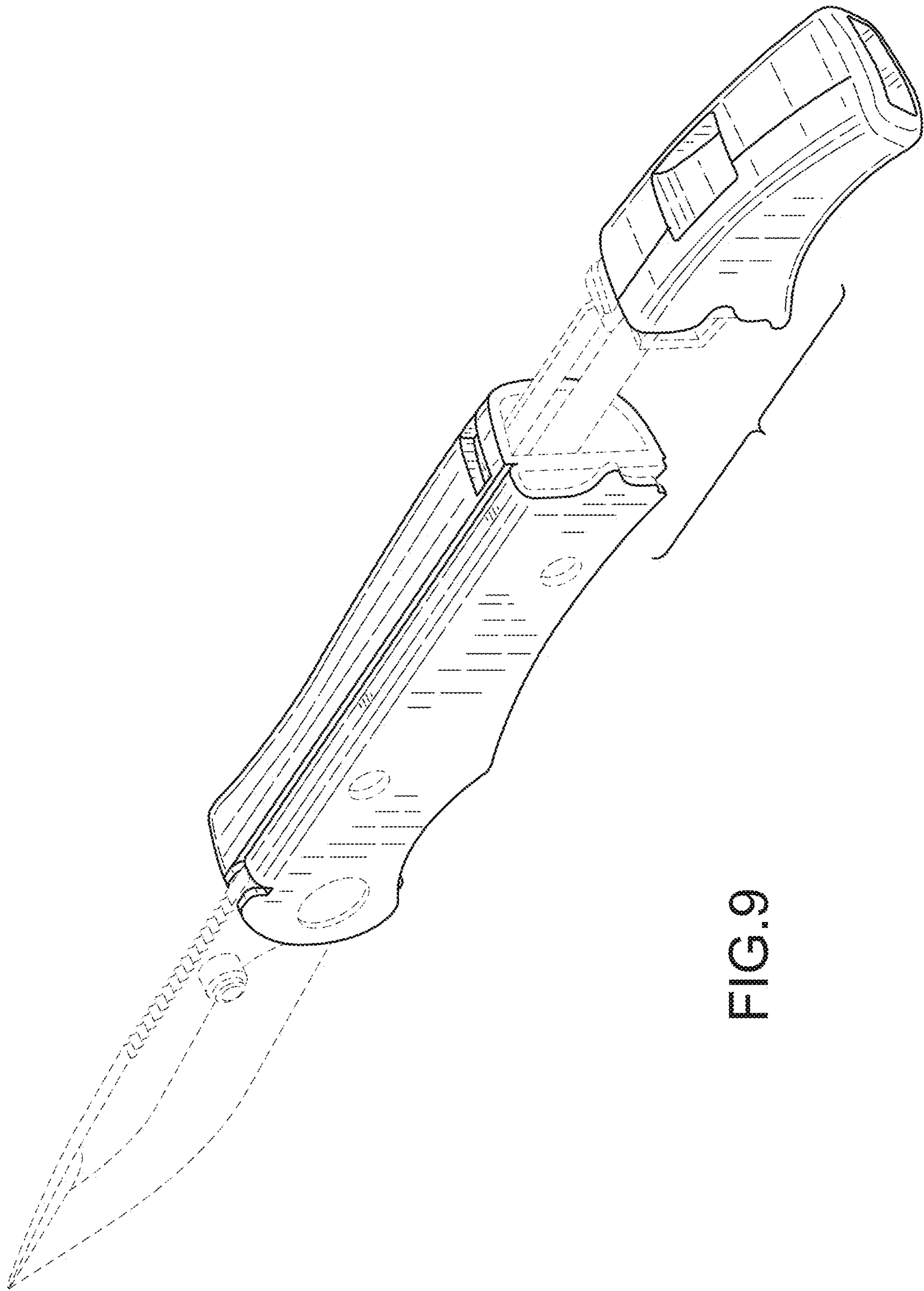


FIG. 9

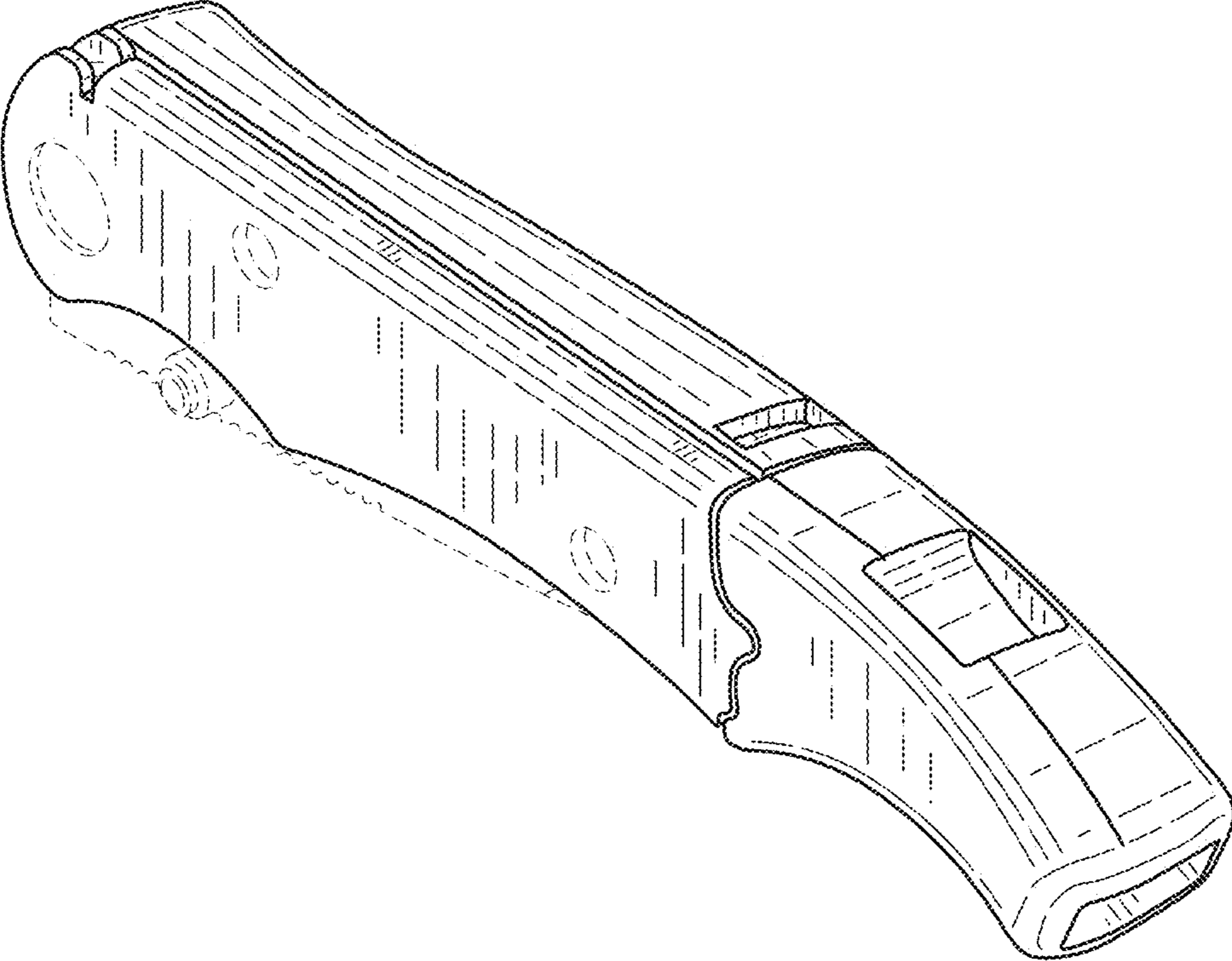


FIG.10

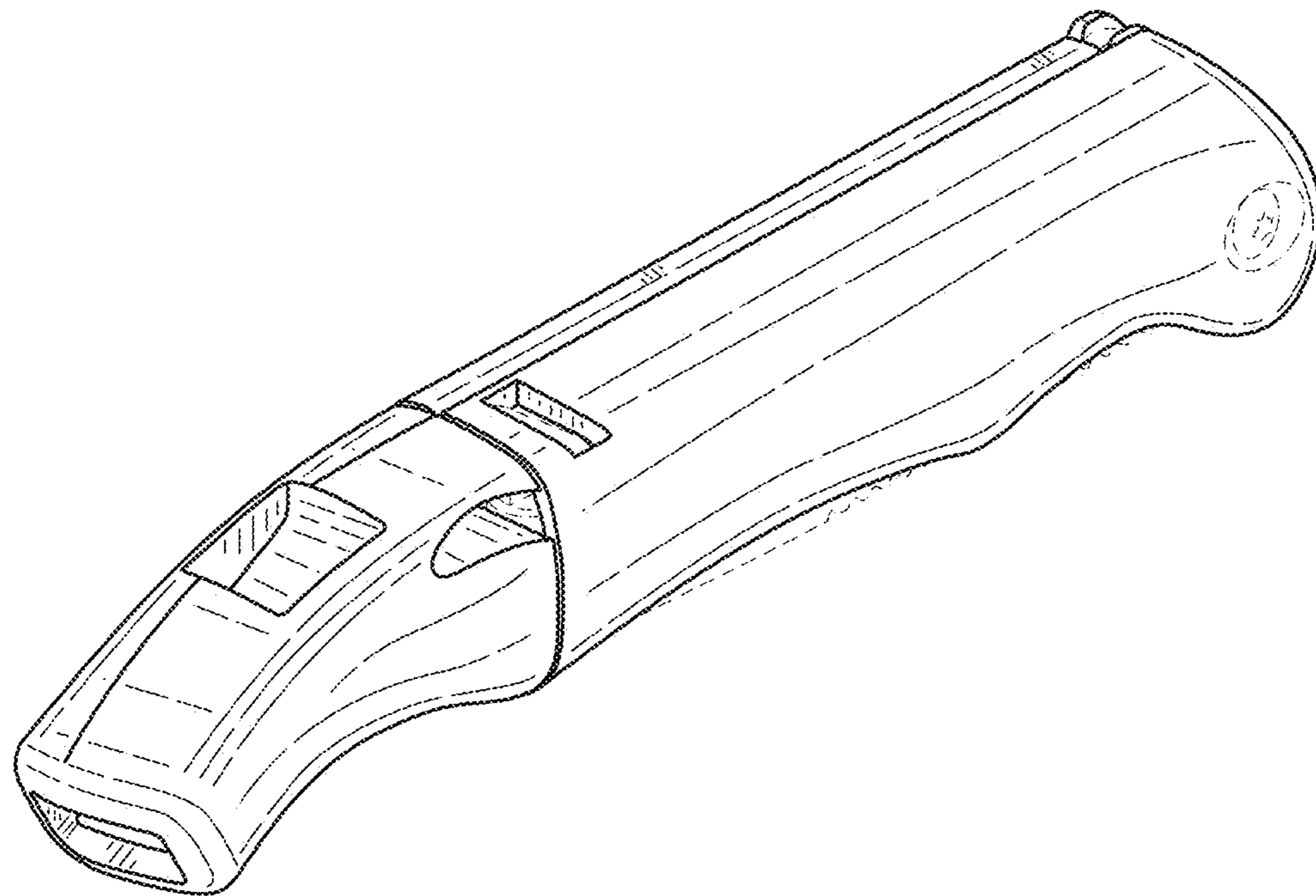


FIG.11

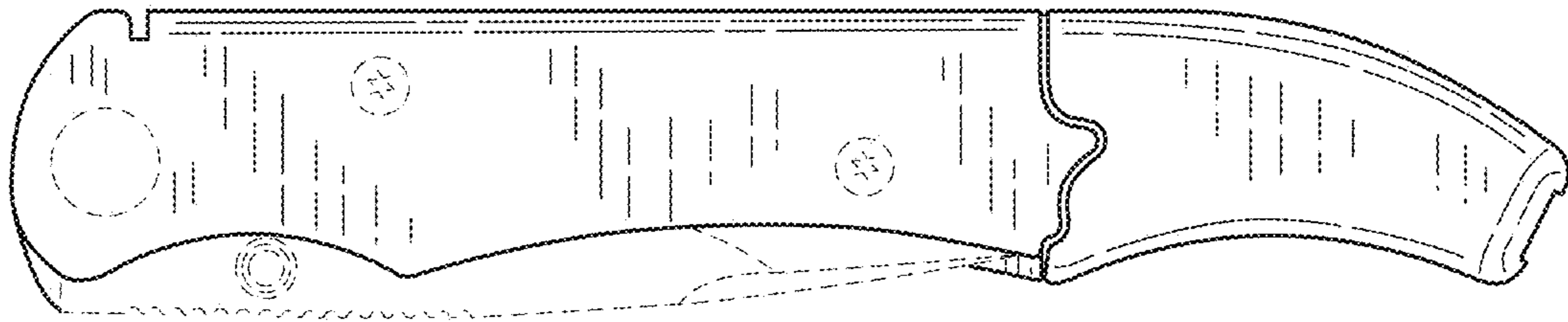


FIG. 12

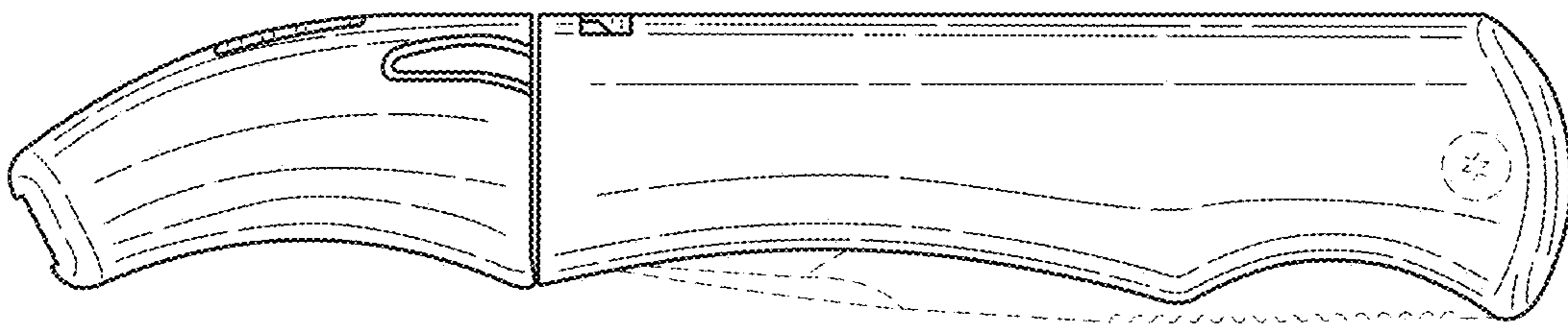


FIG. 13

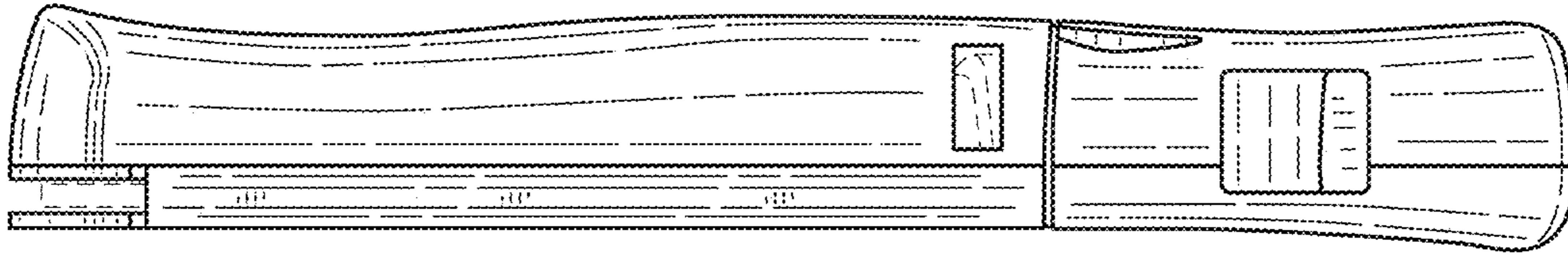


FIG. 14

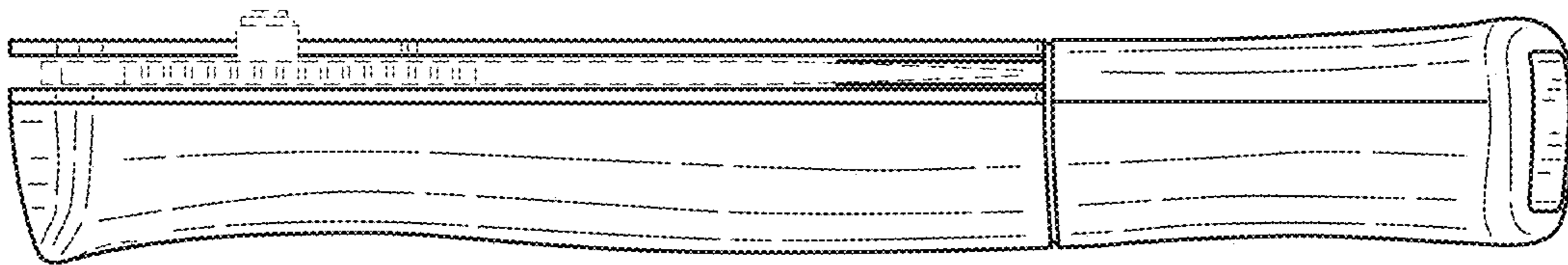


FIG. 15

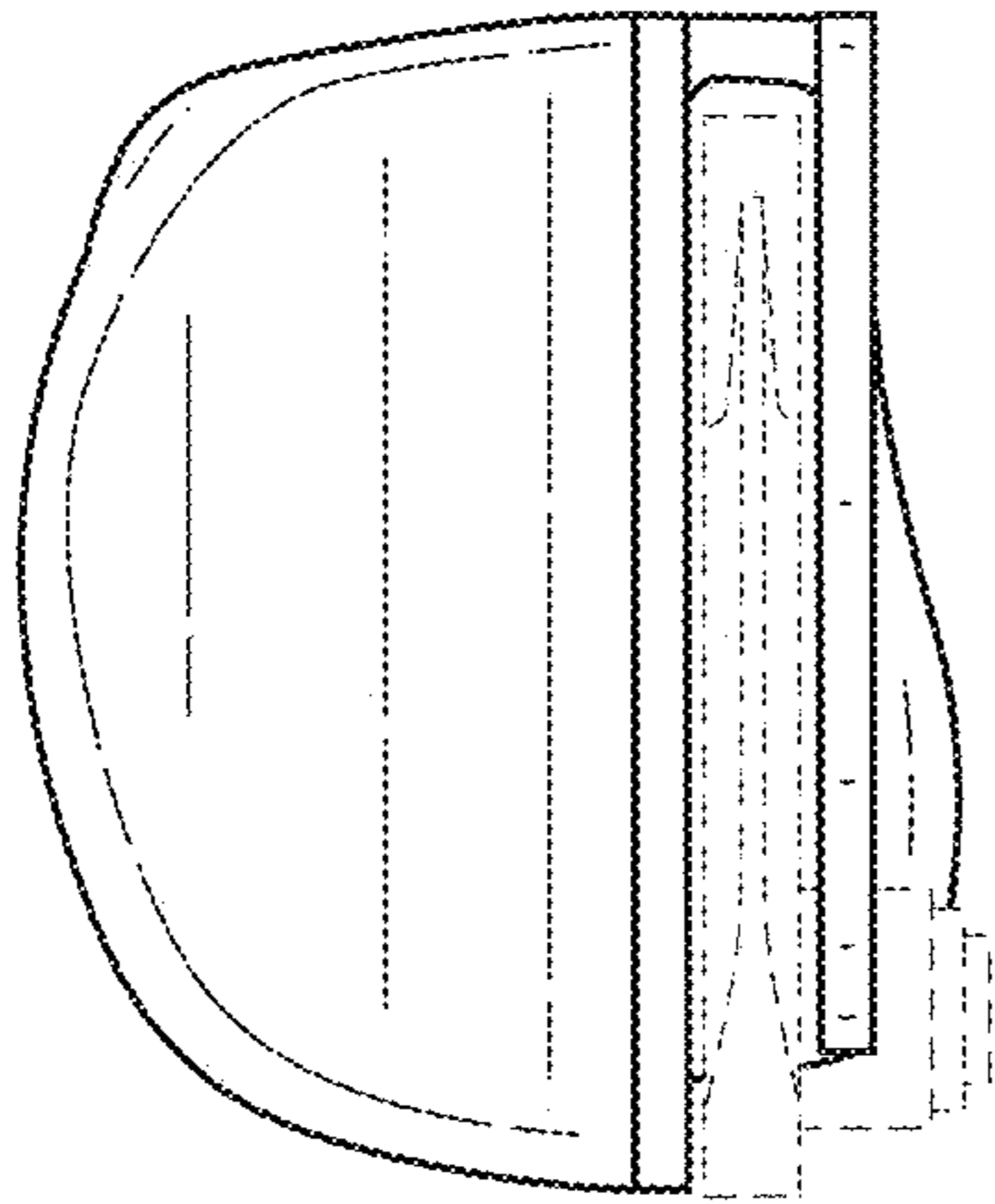


FIG. 16

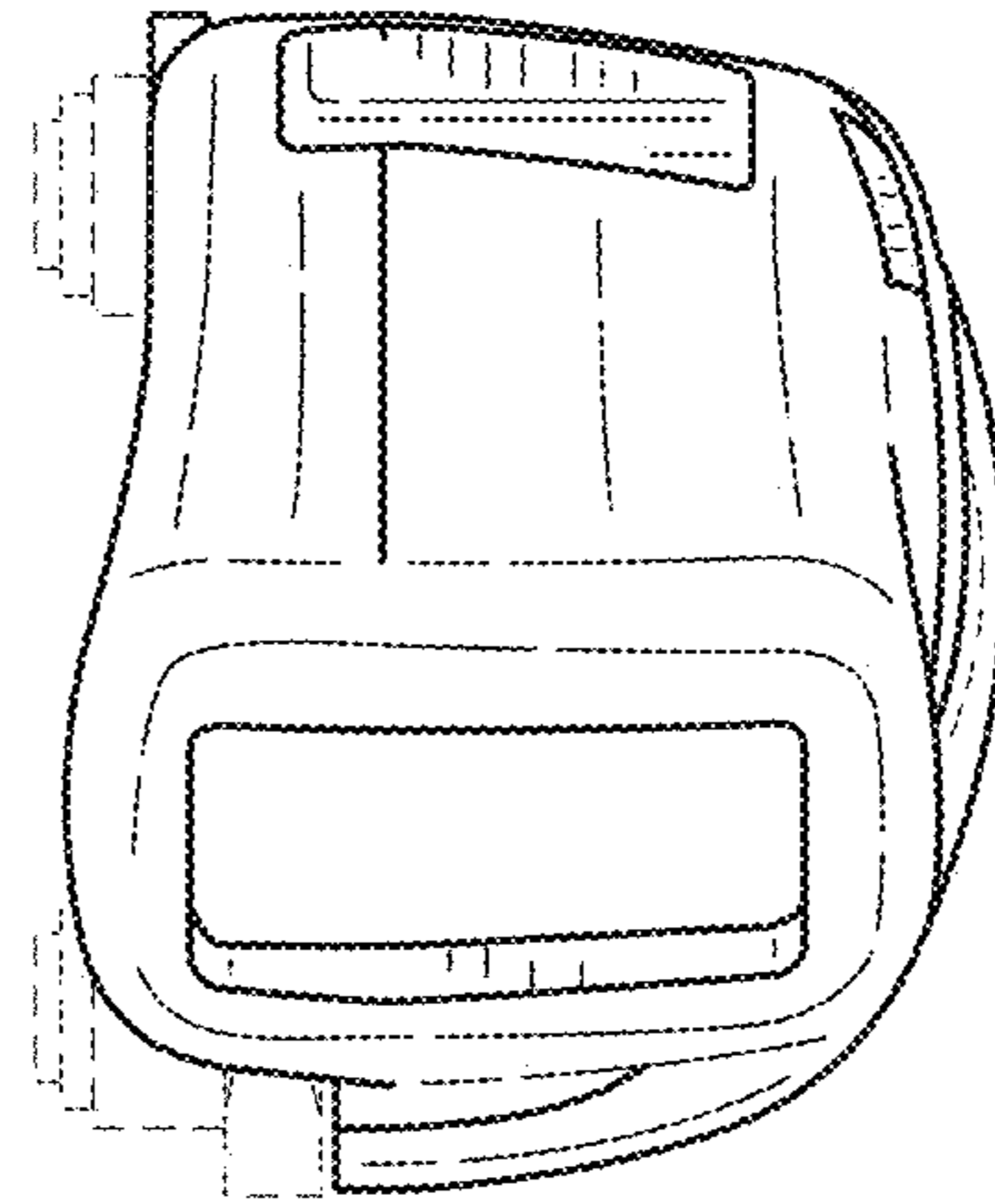


FIG. 17

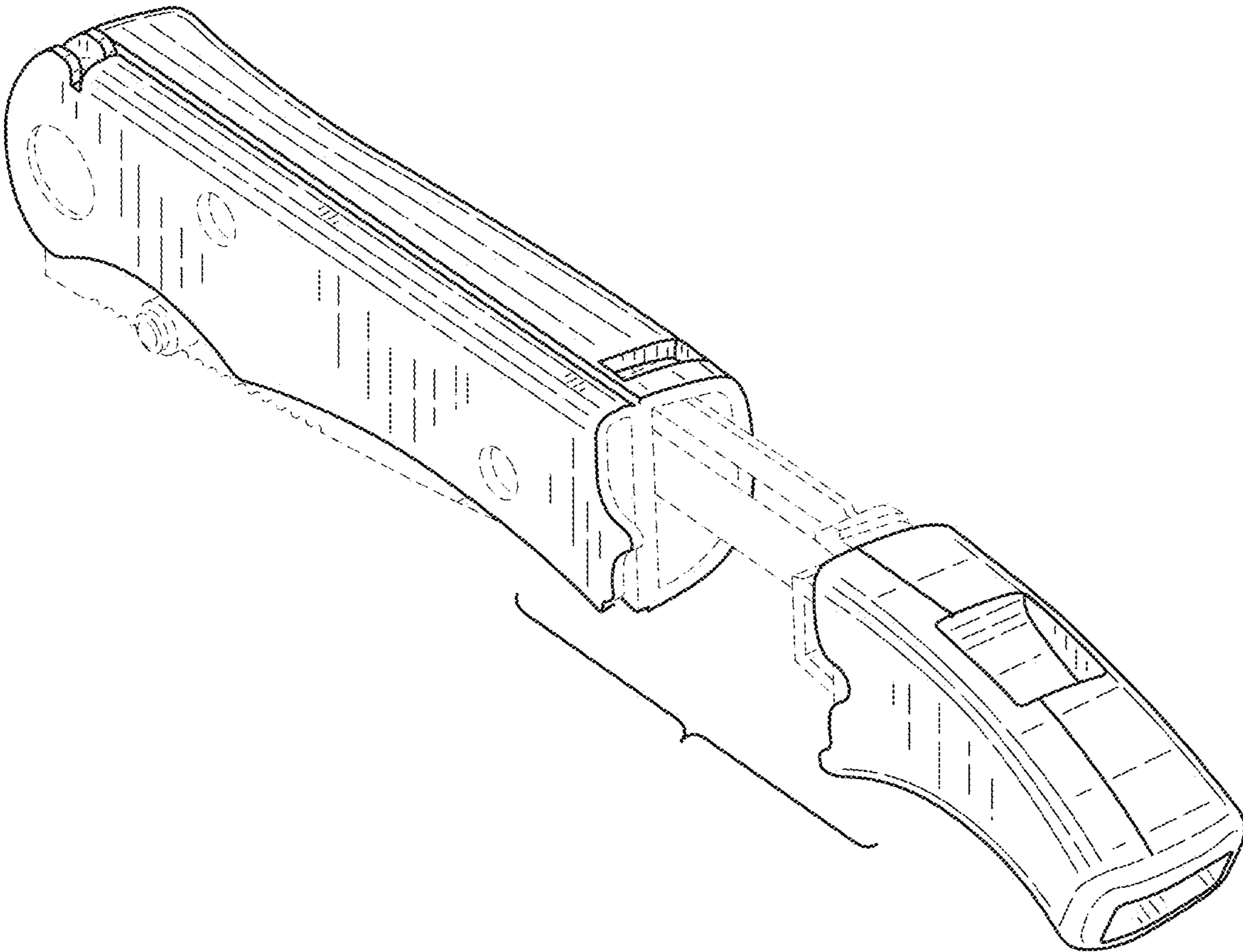


FIG.18