



US00D889235S

(12) **United States Design Patent**  
**Bloch**

(10) **Patent No.:** **US D889,235 S**

(45) **Date of Patent:** **\*\* Jul. 7, 2020**

(54) **KNIFE AND ASSOCIATED SHEATH**

(71) Applicant: **Outdoor Edge Cutlery Corporation,**  
Denver, CO (US)

(72) Inventor: **David R. Bloch,** Morrison, CO (US)

(73) Assignee: **Outdoor Edge Cutlery Corporation,**  
Denver, CO (US)

(\*\*) Term: **15 Years**

(21) Appl. No.: **29/676,113**

(22) Filed: **Jan. 8, 2019**

(51) **LOC (12) Cl.** ..... **08-03**

(52) **U.S. Cl.**  
USPC ..... **D8/98; D22/118**

(58) **Field of Classification Search**  
USPC ..... D8/14, 98, 99, 100, 105, 107; D22/118;  
D11/214, 215, 216

(Continued)

(56) **References Cited**

**U.S. PATENT DOCUMENTS**

2,391,574 A 12/1945 Glenn  
2,527,710 A 10/1950 Davidson, Jr.

(Continued)

**OTHER PUBLICATIONS**

“5 in 1 Outdoor Survival Gear Escape Paracord Bracelet Flint/Whistle/Compass/Scraper,” believed to be on sale at least by Aug. 17, 2016, retrieved from [https://www.boardwalkbuy.com/products/5-in-1-outdoor-survival-gear-escape-paracord-bracelet-flint-whistle-compass-scraper?utm\\_medium=cpc&utm\\_source=googlepla&gclid=CjwKEAjlwItC9BRDRvMfD2N66nllSJACq8591rKgFVKcoy8Fg9KD9-v2gMf9\\_vb1Aw8o0EvLi6Bt1uRoClwPw\\_wcB](https://www.boardwalkbuy.com/products/5-in-1-outdoor-survival-gear-escape-paracord-bracelet-flint-whistle-compass-scraper?utm_medium=cpc&utm_source=googlepla&gclid=CjwKEAjlwItC9BRDRvMfD2N66nllSJACq8591rKgFVKcoy8Fg9KD9-v2gMf9_vb1Aw8o0EvLi6Bt1uRoClwPw_wcB), 4 pages.

*Primary Examiner* — Philip S Hyder

(74) *Attorney, Agent, or Firm* — FisherBroyles, LLP;  
Craig W. Mueller

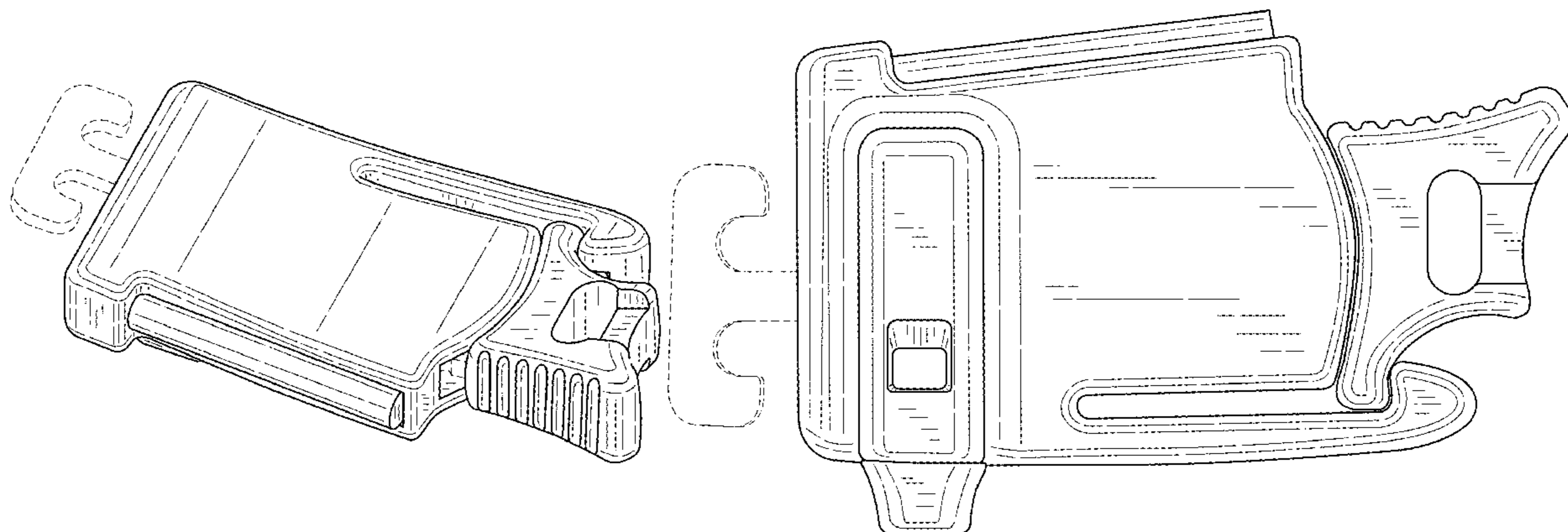
(57) **CLAIM**

The ornamental design for a knife and associated sheath, as shown and described.

**DESCRIPTION**

FIG. 1 is a front perspective view of the knife and associated sheath shown in a first position of use, wherein a portion of the knife is located within the sheath;  
FIG. 2 is a rear perspective view thereof;  
FIG. 3 is a top plan view thereof;  
FIG. 4 is a bottom plan view thereof;  
FIG. 5 is a left elevation view thereof;  
FIG. 6 is a right elevation view thereof;  
FIG. 7 is a rear elevation view thereof;  
FIG. 8 is a front elevation view thereof;  
FIG. 9 is a perspective view of the knife and associated sheath shown in a second position of use, wherein the knife is spaced from the sheath;  
FIG. 10 is a top plan view thereof;  
FIG. 11 is a bottom plan view thereof;  
FIG. 12 is a left elevation view thereof;  
FIG. 13 is a right elevation view thereof;  
FIG. 14 is a rear elevation view thereof;  
FIG. 15 is a front elevation thereof;  
FIG. 16 is a perspective view of the knife and associated sheath interconnected to a bracelet shown in a first position of use, wherein a portion of the knife is located within the sheath;  
FIG. 17 is a top plan view thereof;  
FIG. 18 is a bottom plan view thereof;  
FIG. 19 is a left elevation view thereof;  
FIG. 20 is a right elevation view thereof;  
FIG. 21 is a rear elevation view thereof;  
FIG. 22 is a front elevation view thereof;  
FIG. 23 is a perspective view of the knife and associated sheath interconnected to a bracelet shown in a second position of use, wherein the knife is spaced from the sheath;  
FIG. 24 is top plan view thereof;  
FIG. 25 is a bottom plan view thereof;  
FIG. 26 is a left elevation view thereof;  
FIG. 27 is a right elevation view thereof;  
FIG. 28 is a front elevation view thereof; and,  
FIG. 29 is a rear elevation view thereof.

(Continued)



The broken line showing of the bracelet is provided for purposes of environment and forms no part of the claimed design. The blade and the end piece are depicted by broken lines because they illustrate elements of the knife and associated sheath that are not part of the claimed design.

**1 Claim, 25 Drawing Sheets**

**(58) Field of Classification Search**

CPC .. B26B 3/00; B26B 3/06; B26B 29/00; B26B 29/02; B26B 11/00; B26B 29/025

See application file for complete search history.

**(56) References Cited**

U.S. PATENT DOCUMENTS

2,618,057	A	11/1952	Gibson
2,783,536	A	3/1957	Boast
2,901,823	A	9/1959	Widen
3,246,713	A	4/1966	Nichols
3,524,570	A	8/1970	Seguine
3,823,421	A	7/1974	Collins
3,823,522	A	7/1974	Forgett
3,958,330	A	5/1976	Hutchens
4,150,464	A	4/1979	Tracy
4,404,747	A	9/1983	Collins
D300,112	S *	3/1989	Osterhout ..... D8/107
4,835,863	A	6/1989	Salandre
4,854,044	A	8/1989	Collins
4,964,554	A	10/1990	Collins
4,998,550	A	3/1991	Archambault
5,002,213	A	3/1991	Newton
D321,548	S *	11/1991	Collins ..... D22/118
5,067,239	A	11/1991	Collins
5,092,046	A	3/1992	Collins
5,123,167	A	6/1992	Kelley
5,146,684	A	9/1992	Hagler
5,222,279	A	6/1993	Franco et al.
5,379,520	A	1/1995	Collins
5,507,076	A	4/1996	Anscher
5,511,311	A	4/1996	Collins

5,647,130	A	7/1997	Collins
5,794,347	A	8/1998	Serpa
5,915,793	A	6/1999	Serpa
6,293,448	B1	9/2001	Pietrusynski
6,442,843	B1	9/2002	Jue
D465,542	S *	11/2002	Bloch ..... D22/118
7,080,456	B2	7/2006	Wu
7,434,316	B2	10/2008	Nenadic
7,469,475	B2	12/2008	Wong
7,597,223	B1	10/2009	Martinez
8,322,586	B2	12/2012	Davis
D691,910	S *	10/2013	Kelleghan ..... D11/216
D723,132	S *	2/2015	Borland ..... D22/118
9,044,870	B2 *	6/2015	Yeh ..... B26B 29/025
9,084,455	B2 *	7/2015	Millan ..... B26B 9/00
9,095,202	B1	8/2015	Vanheteren
9,254,577	B2	2/2016	Kommer
D770,327	S *	11/2016	Chan ..... D11/216
D772,006	S	11/2016	Squiers et al.
D808,239	S *	1/2018	Bloch ..... D8/98
9,986,795	B2 *	6/2018	Bloch ..... A45D 29/04
9,999,279	B2 *	6/2018	Bloch ..... A45D 29/04
D842,066	S *	3/2019	Bloch ..... D8/98
2005/0204565	A1 *	9/2005	Wong ..... B01J 2/20 30/151
2006/0021229	A1 *	2/2006	Wu ..... B26B 3/06 30/151
2007/0266569	A1 *	11/2007	Nenadic ..... B26B 3/06 30/151
2008/0250652	A1	10/2008	Fellhoelter
2010/0270343	A1	10/2010	Clark
2011/0139645	A1	6/2011	Ranieri
2012/0102759	A1	5/2012	Huang
2013/0031935	A1	2/2013	Kelleghan
2014/0109615	A1 *	4/2014	Millan ..... B26B 9/00 63/1.12
2014/0137414	A1	5/2014	Murphy et al.
2014/0338197	A1	11/2014	Frazer et al.
2015/0190938	A1 *	7/2015	Kommer ..... B26B 29/025 30/151
2015/0208795	A1	7/2015	Vanheteren
2017/0340070	A1 *	11/2017	Bloch ..... G04B 37/0008
2018/0352910	A1 *	12/2018	Bloch ..... B26B 11/008

\* cited by examiner

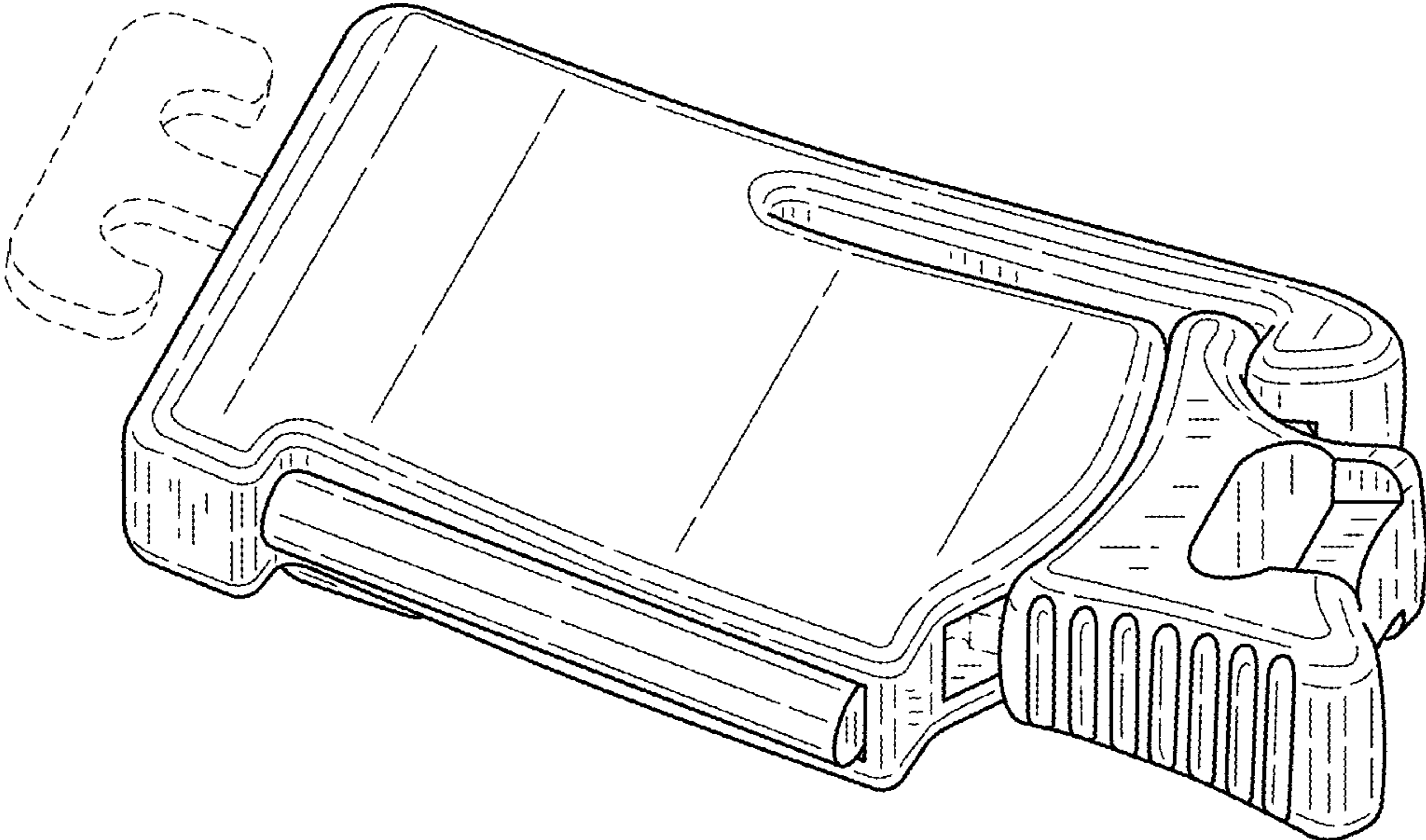


FIG.1

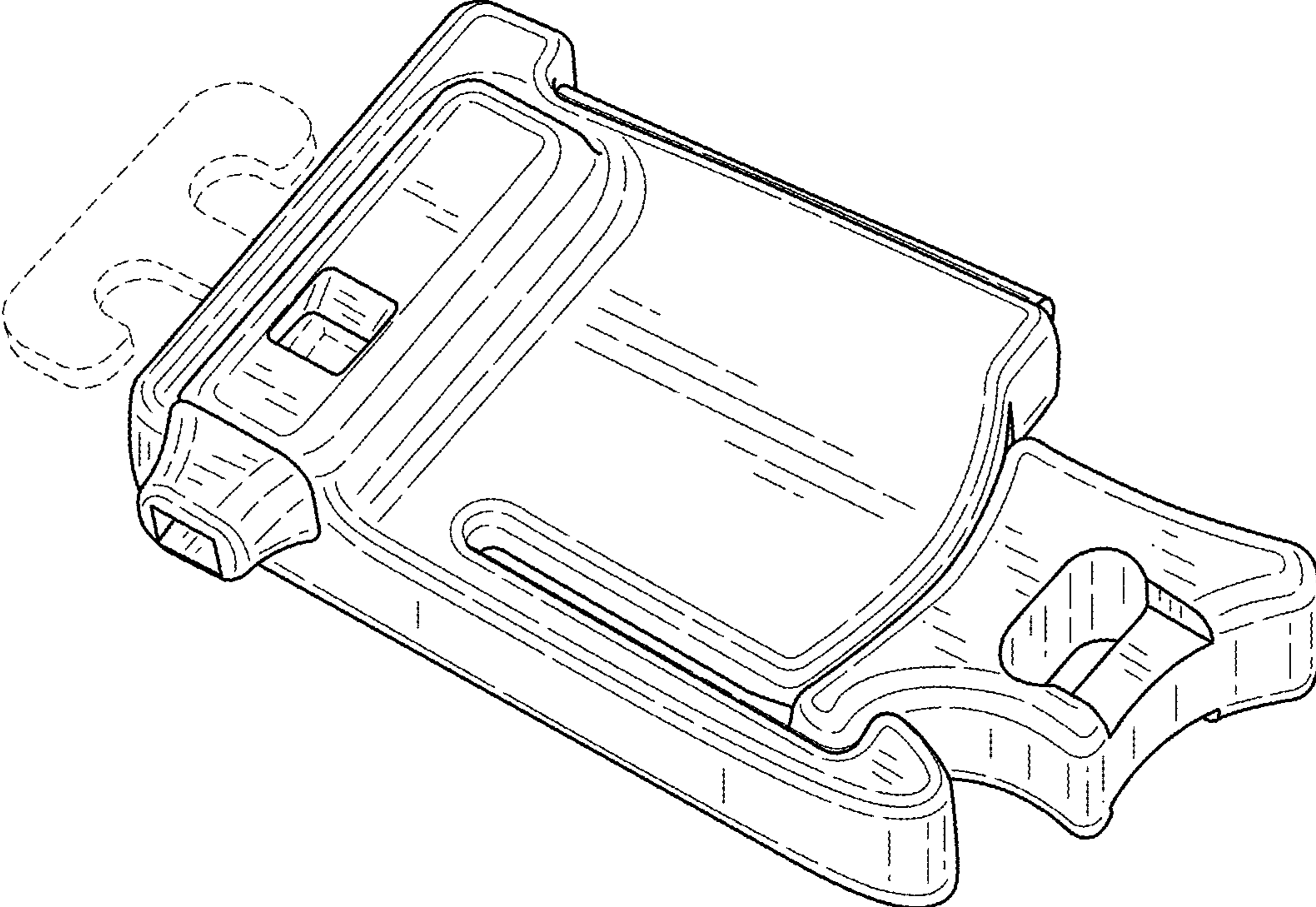


FIG.2

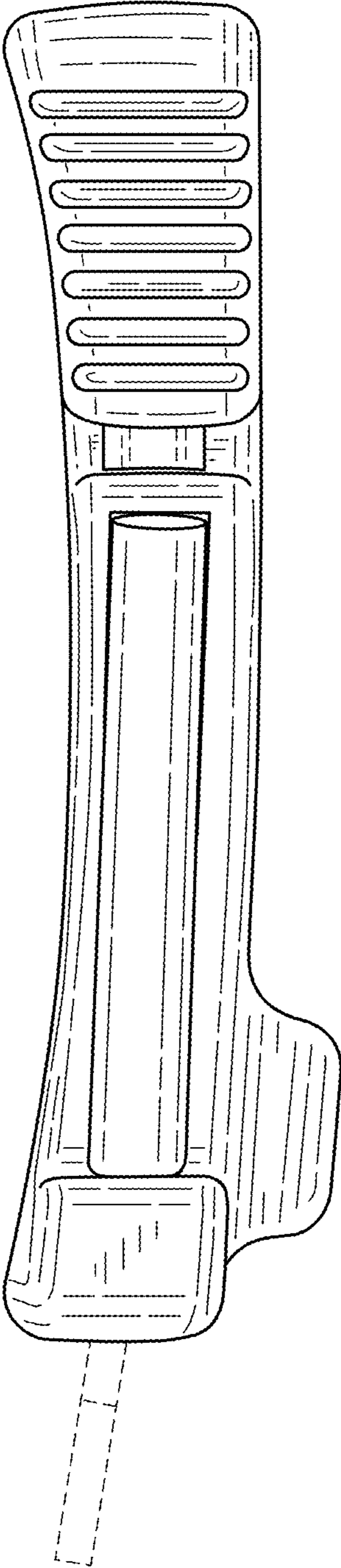


FIG.3

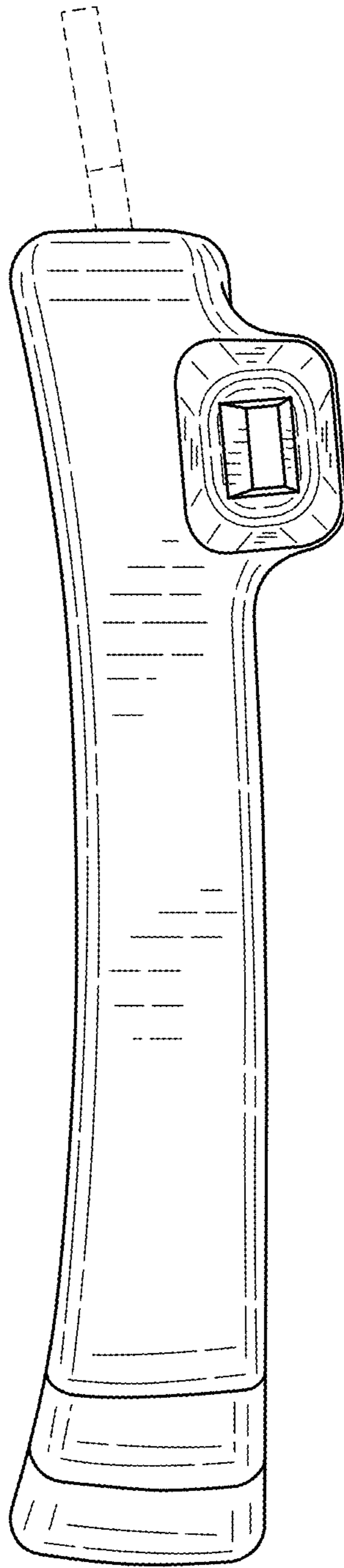


FIG.4

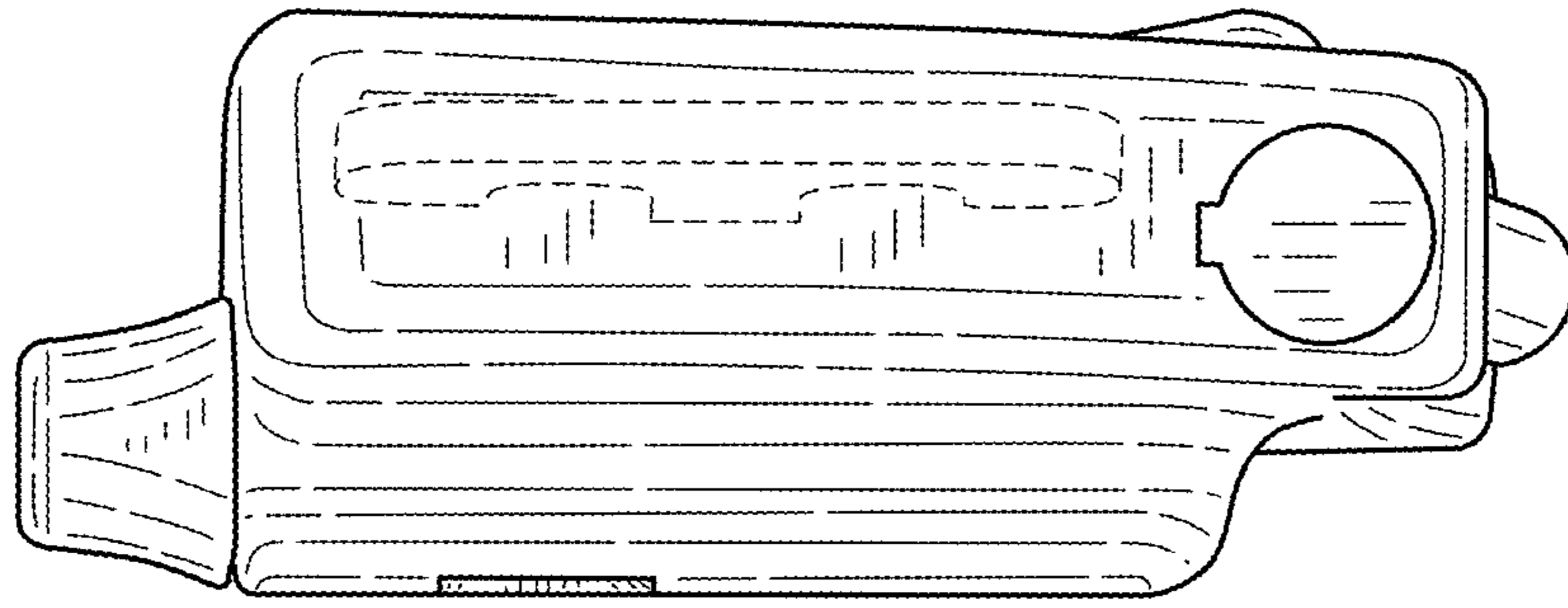


FIG.5

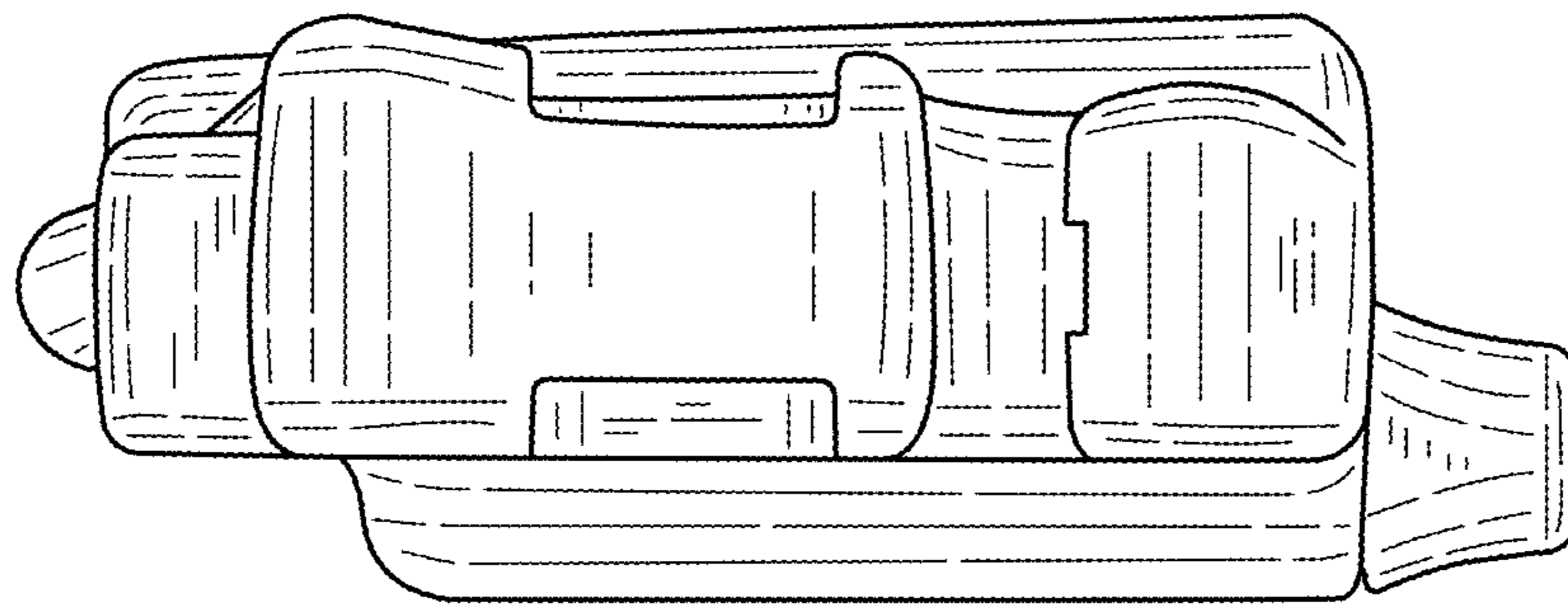


FIG.6

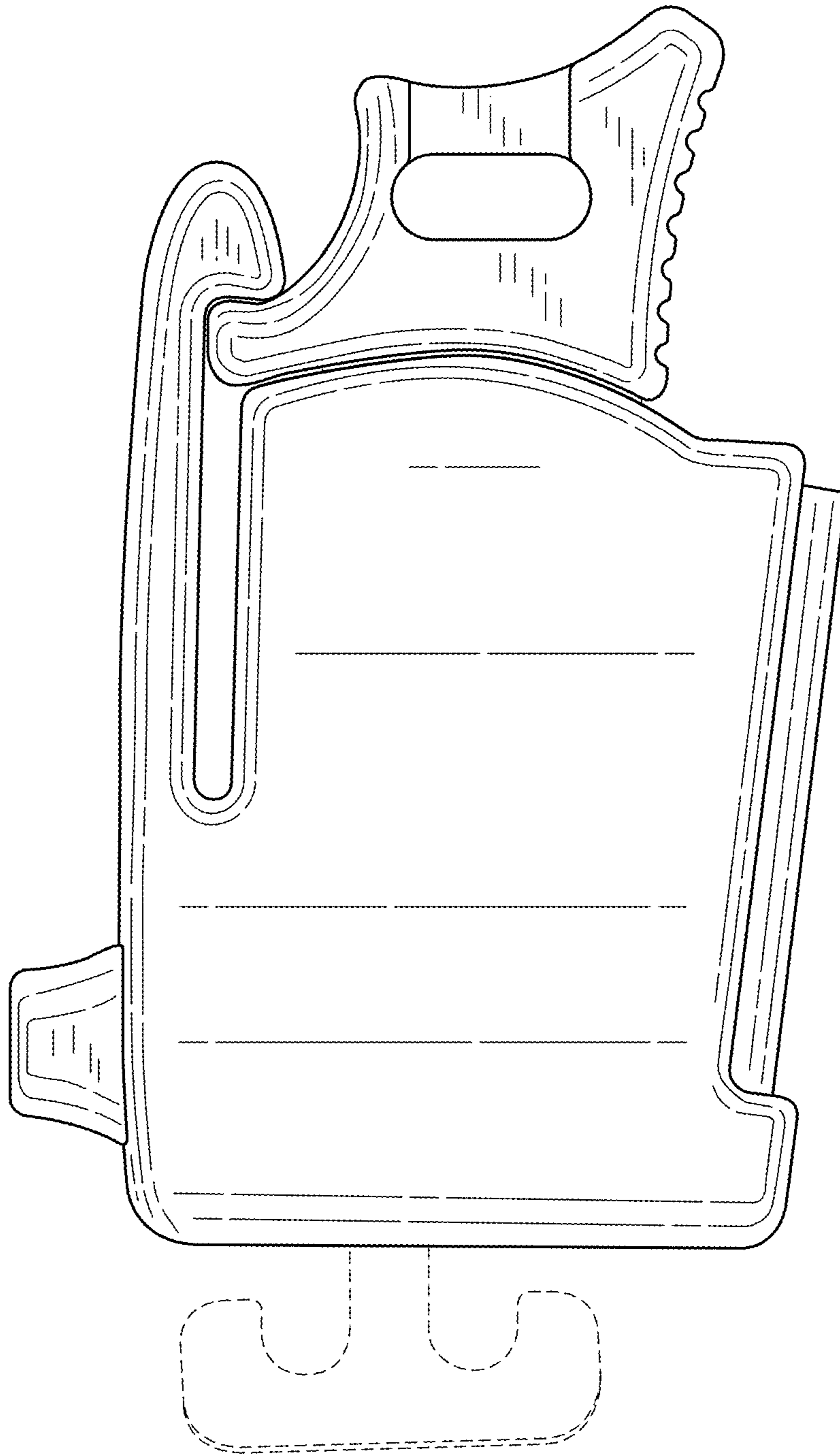


FIG.7



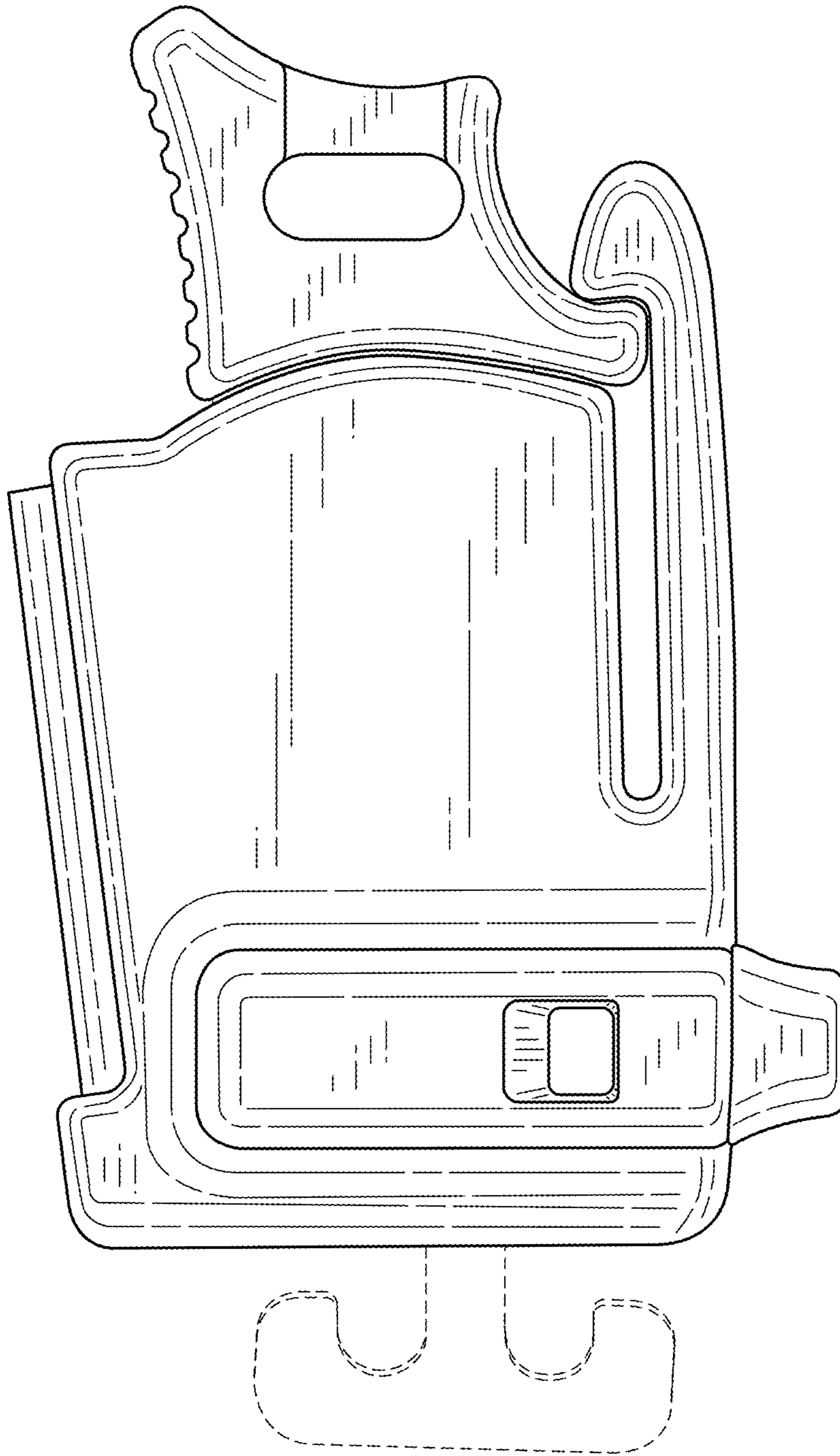


FIG. 8

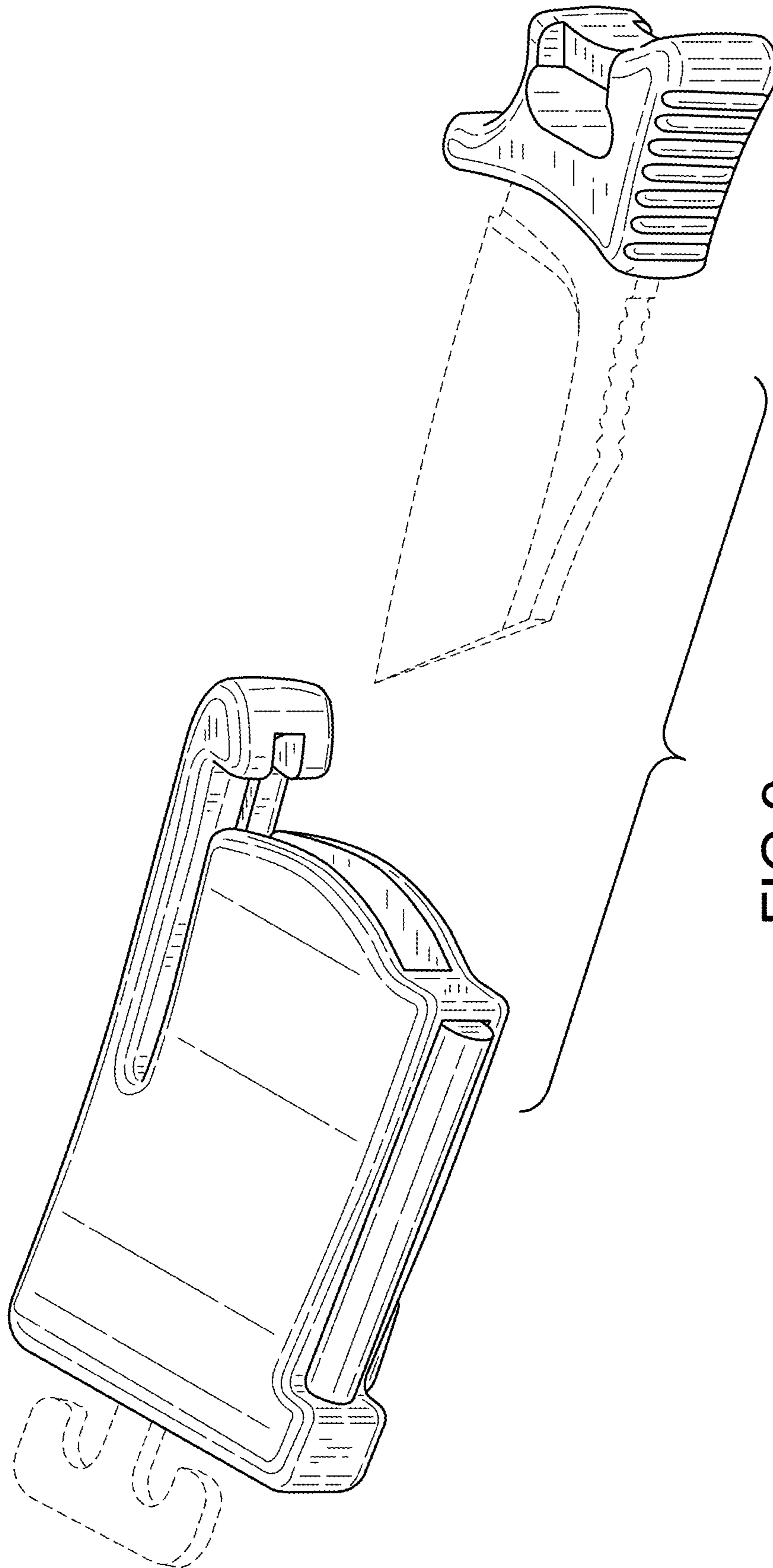


FIG. 9

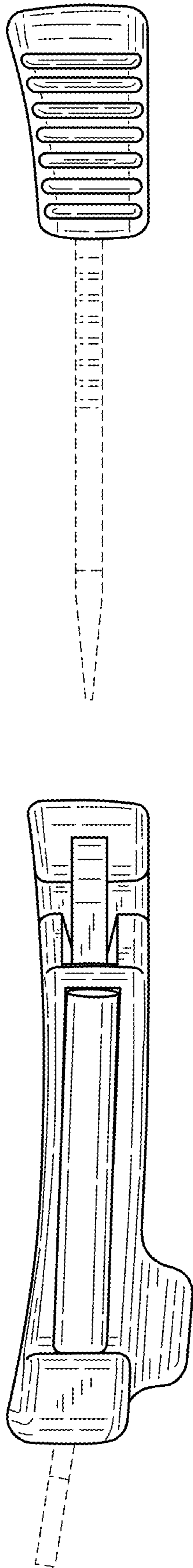


FIG.10

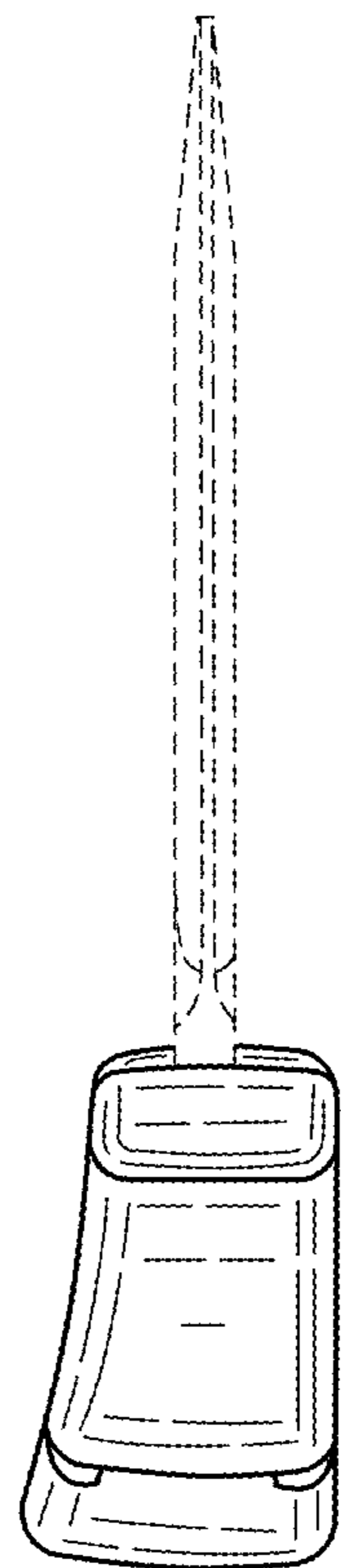
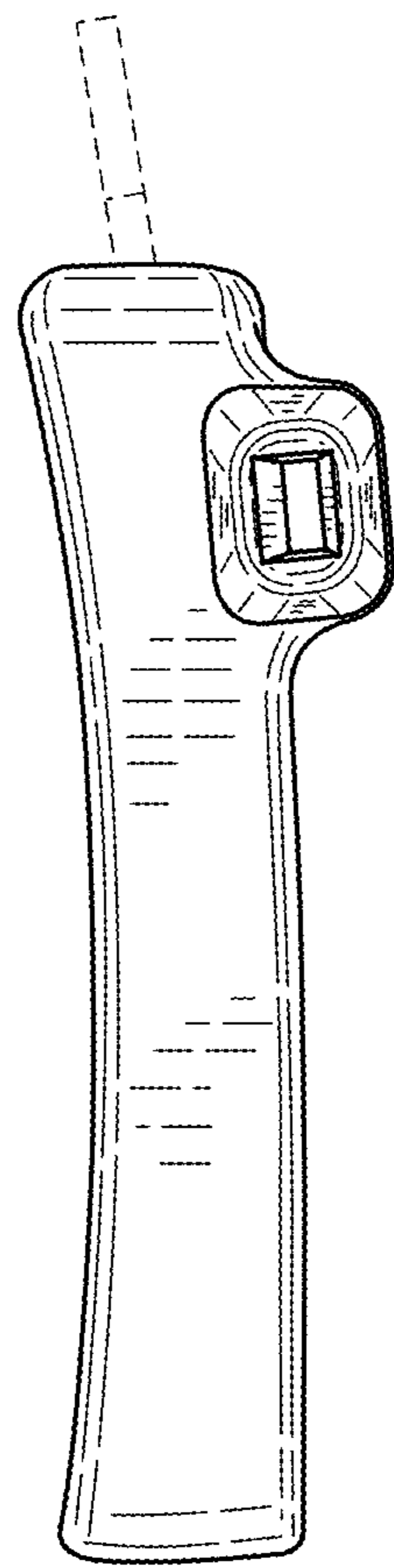


FIG.11

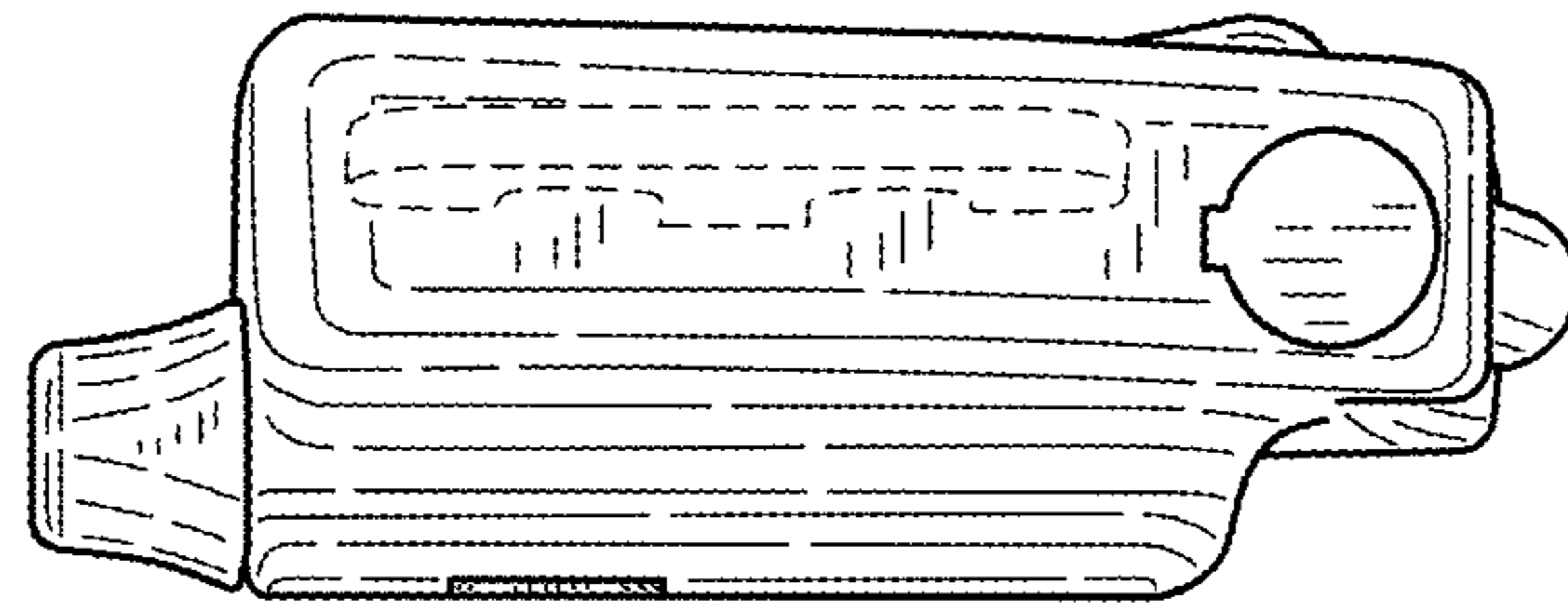


FIG.12

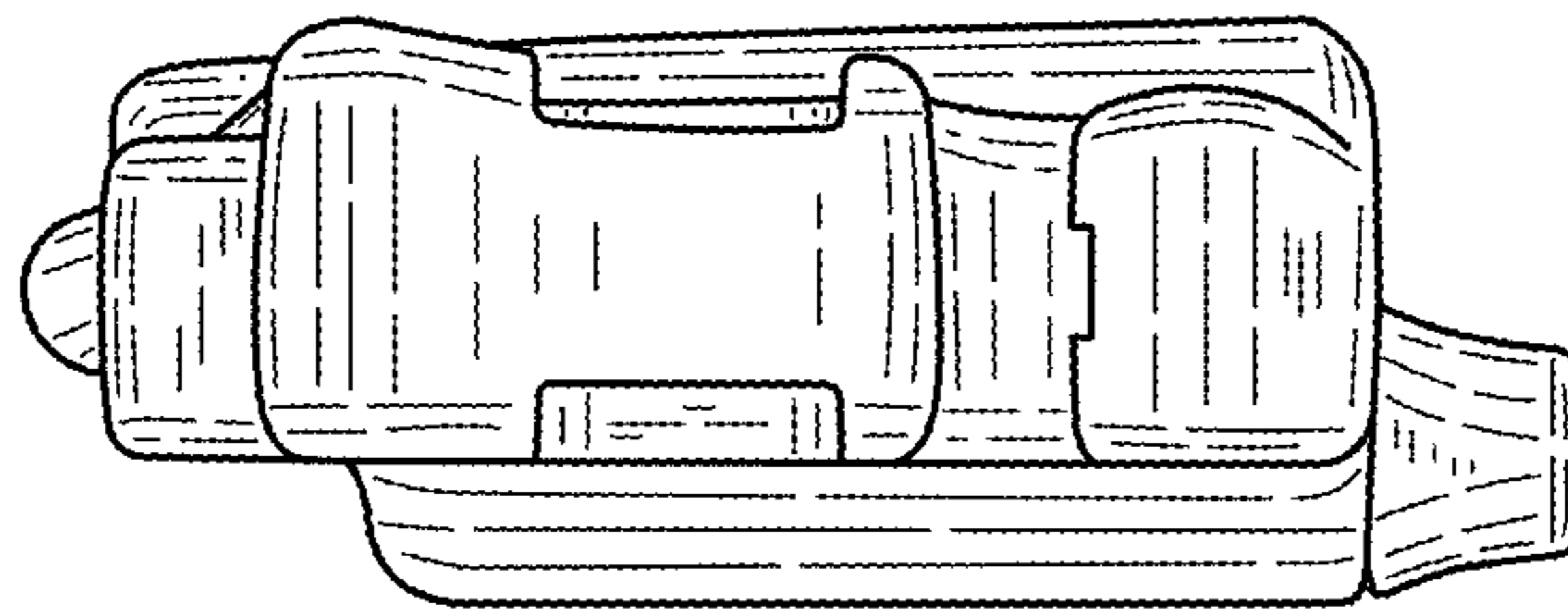


FIG.13

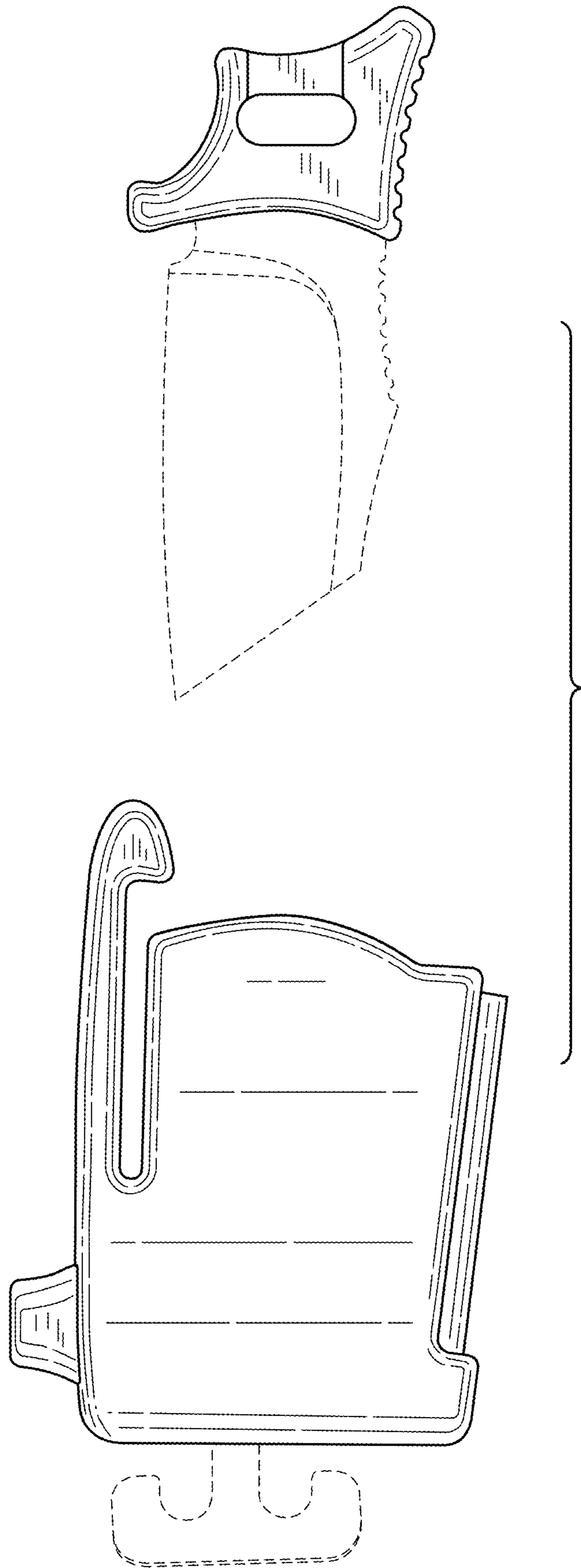


FIG.14

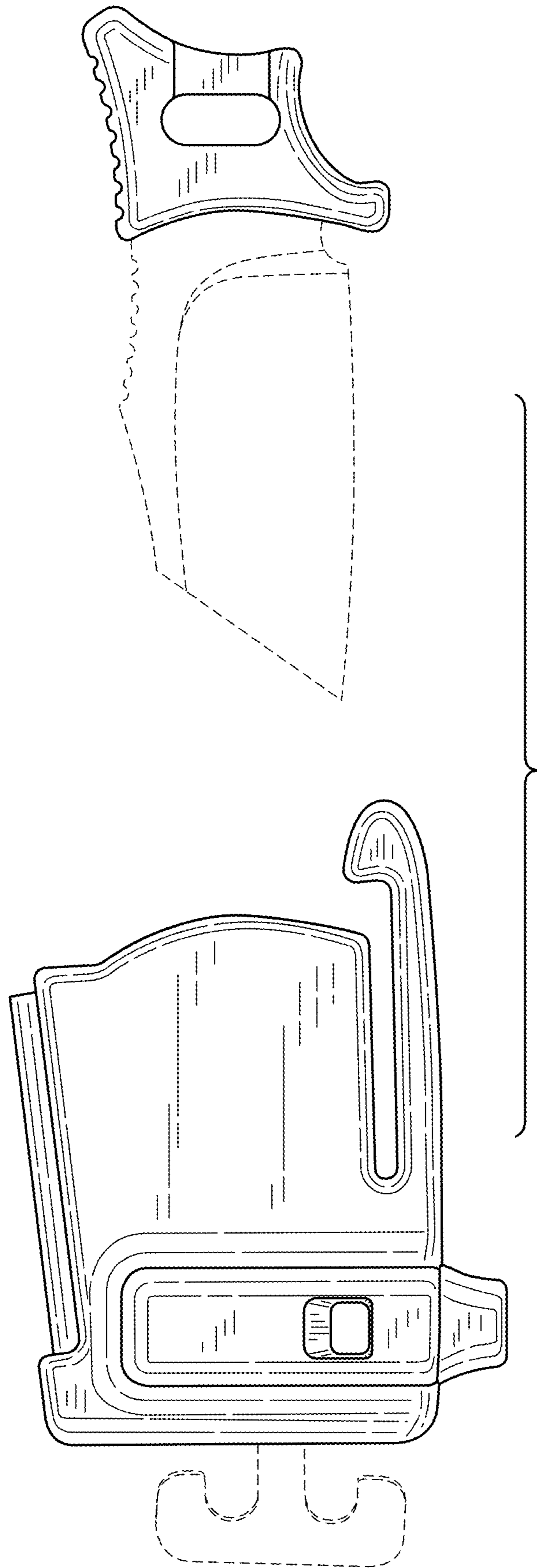


FIG.15

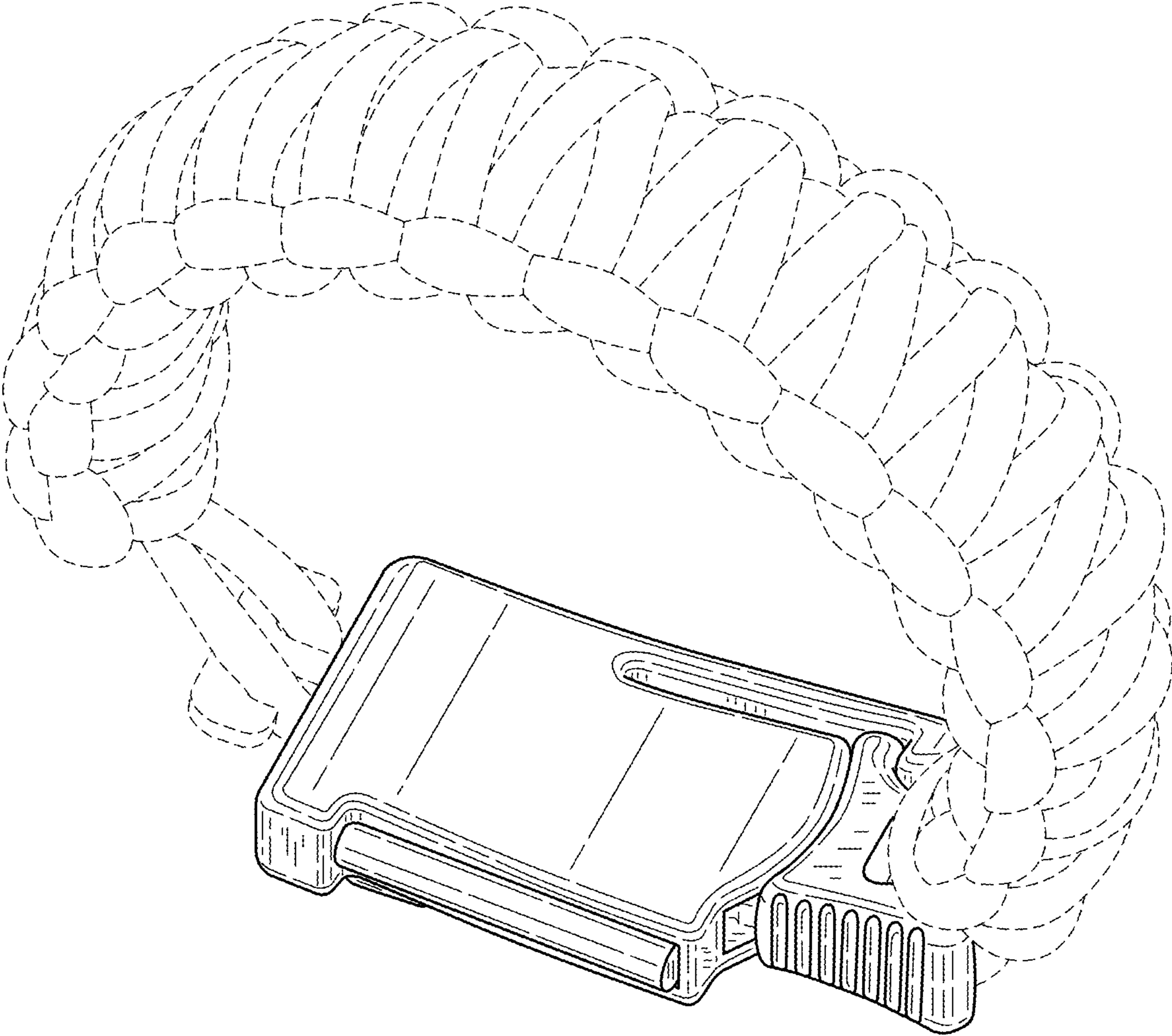


FIG.16



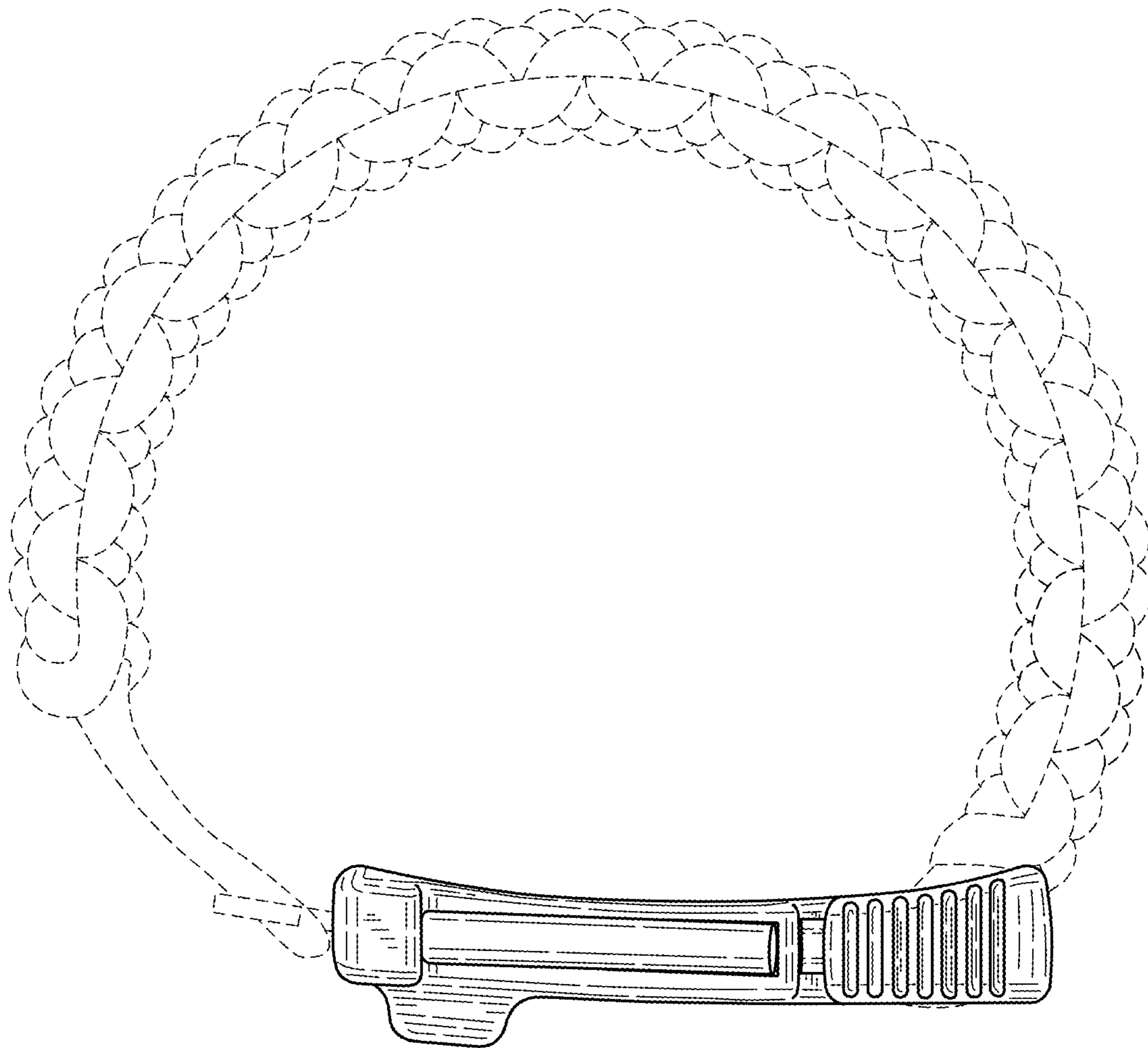


FIG.17

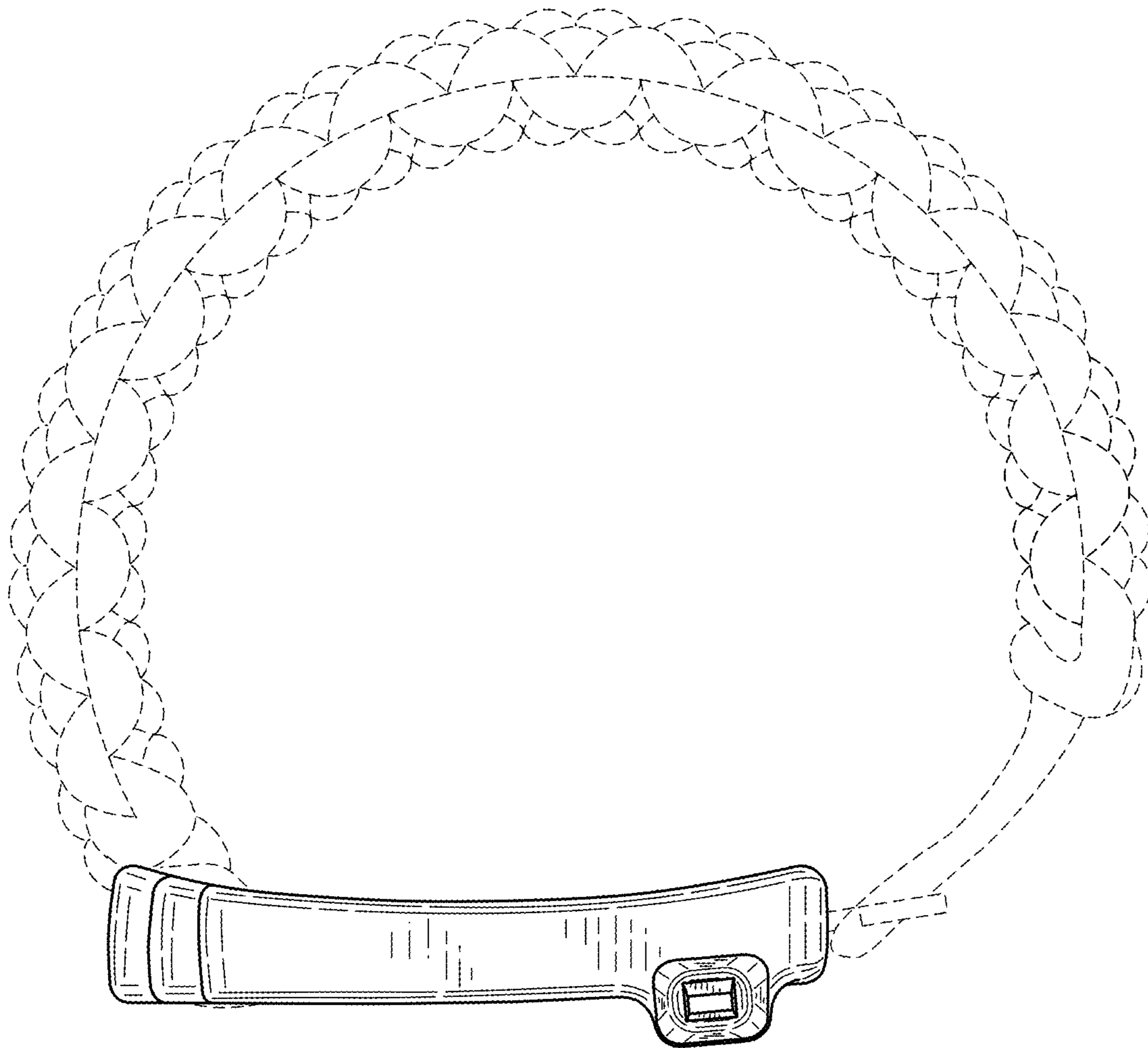


FIG.18

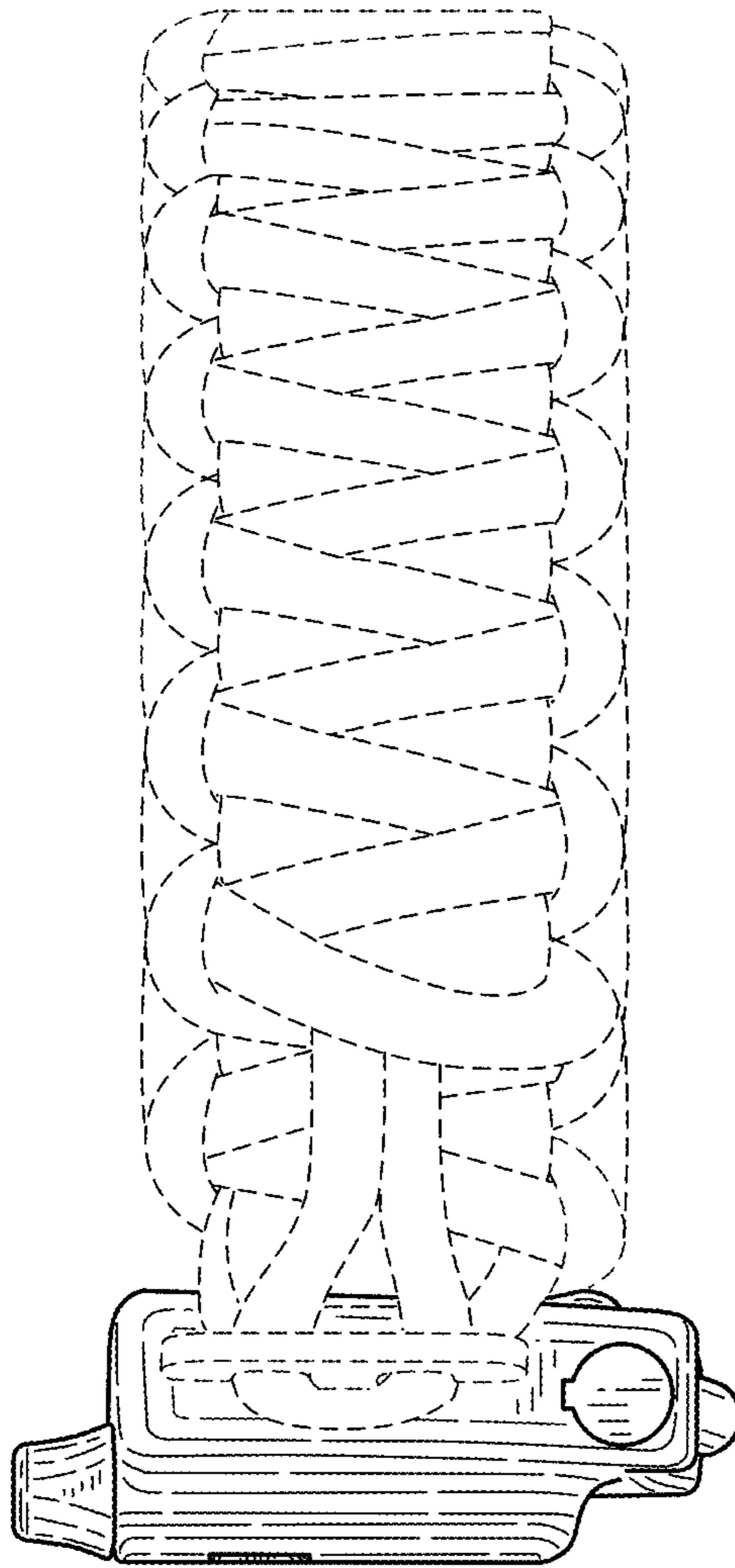


FIG.19

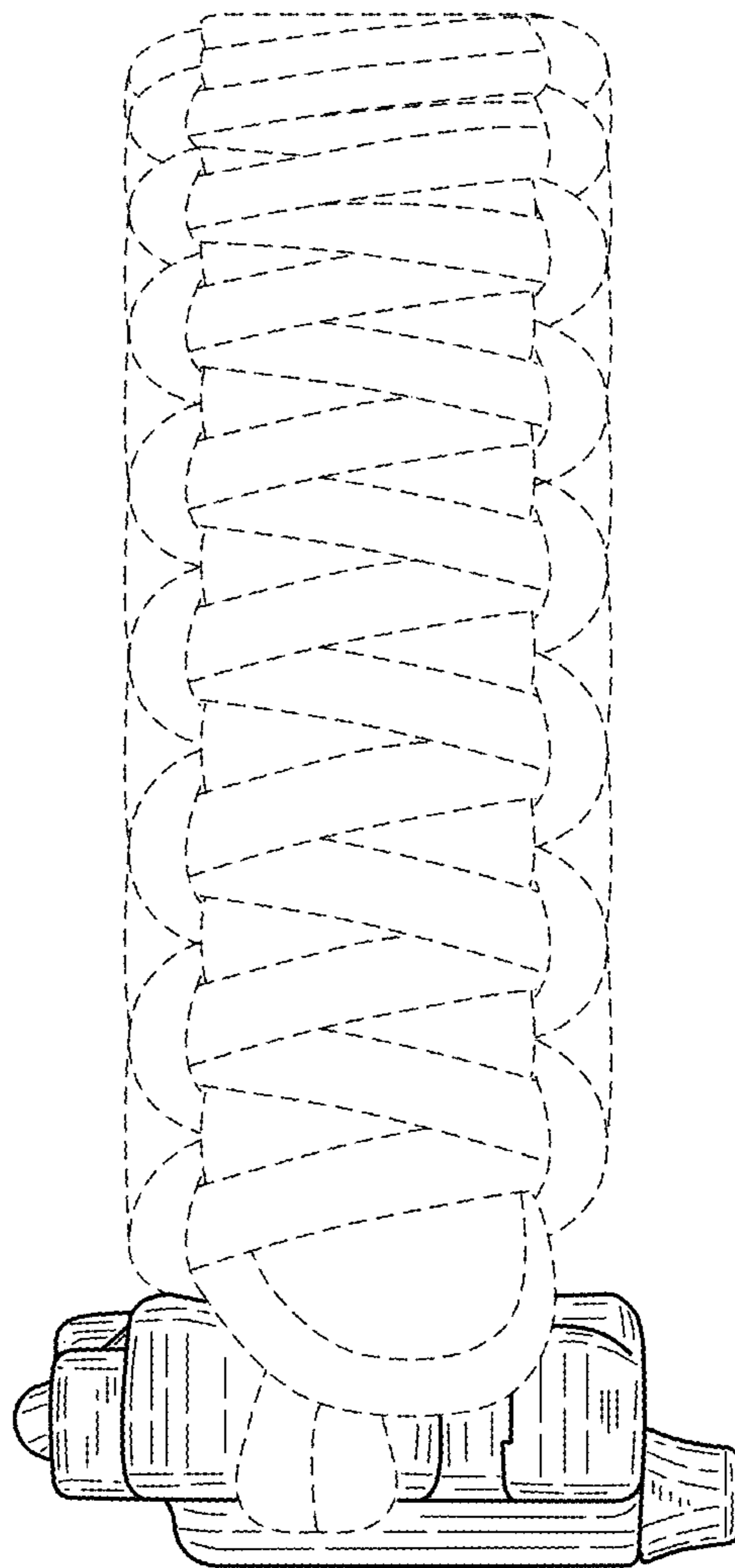


FIG.20

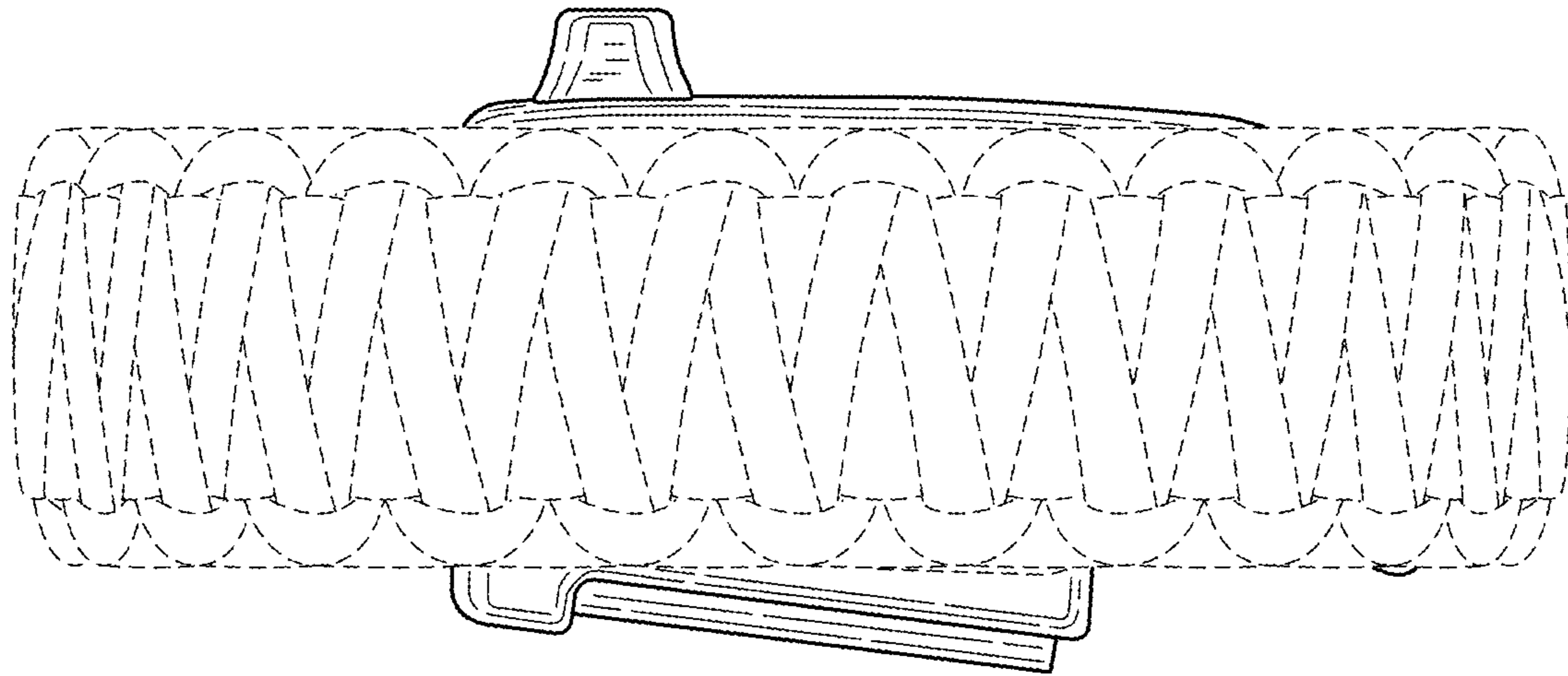


FIG. 21

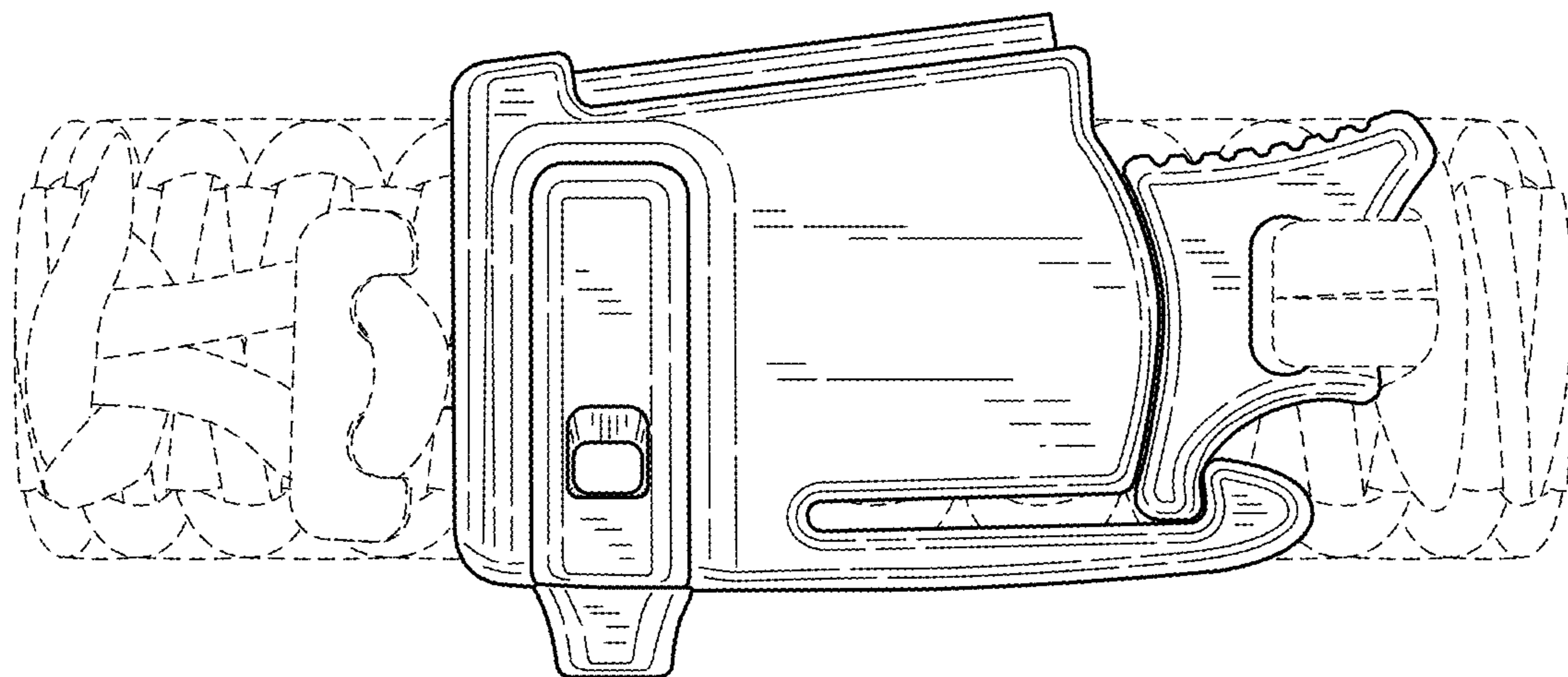


FIG. 22

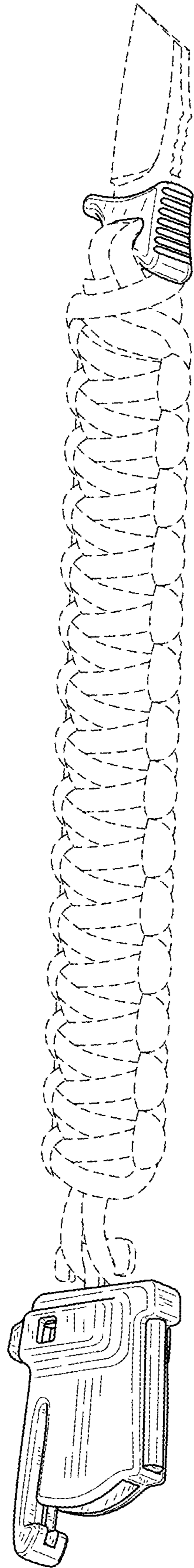


FIG.23

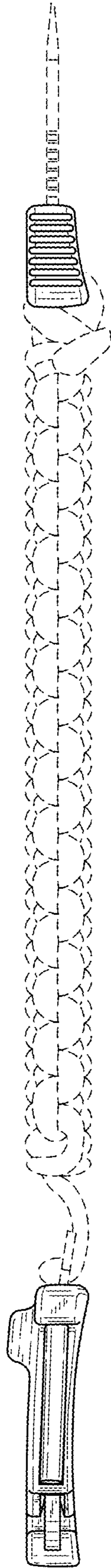


FIG.24

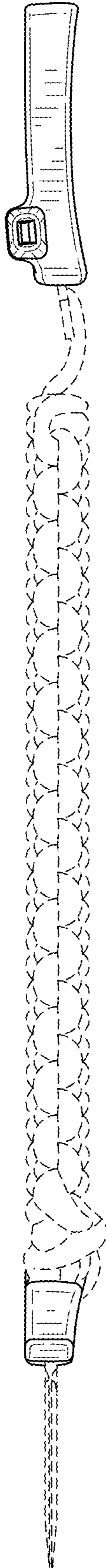


FIG.25



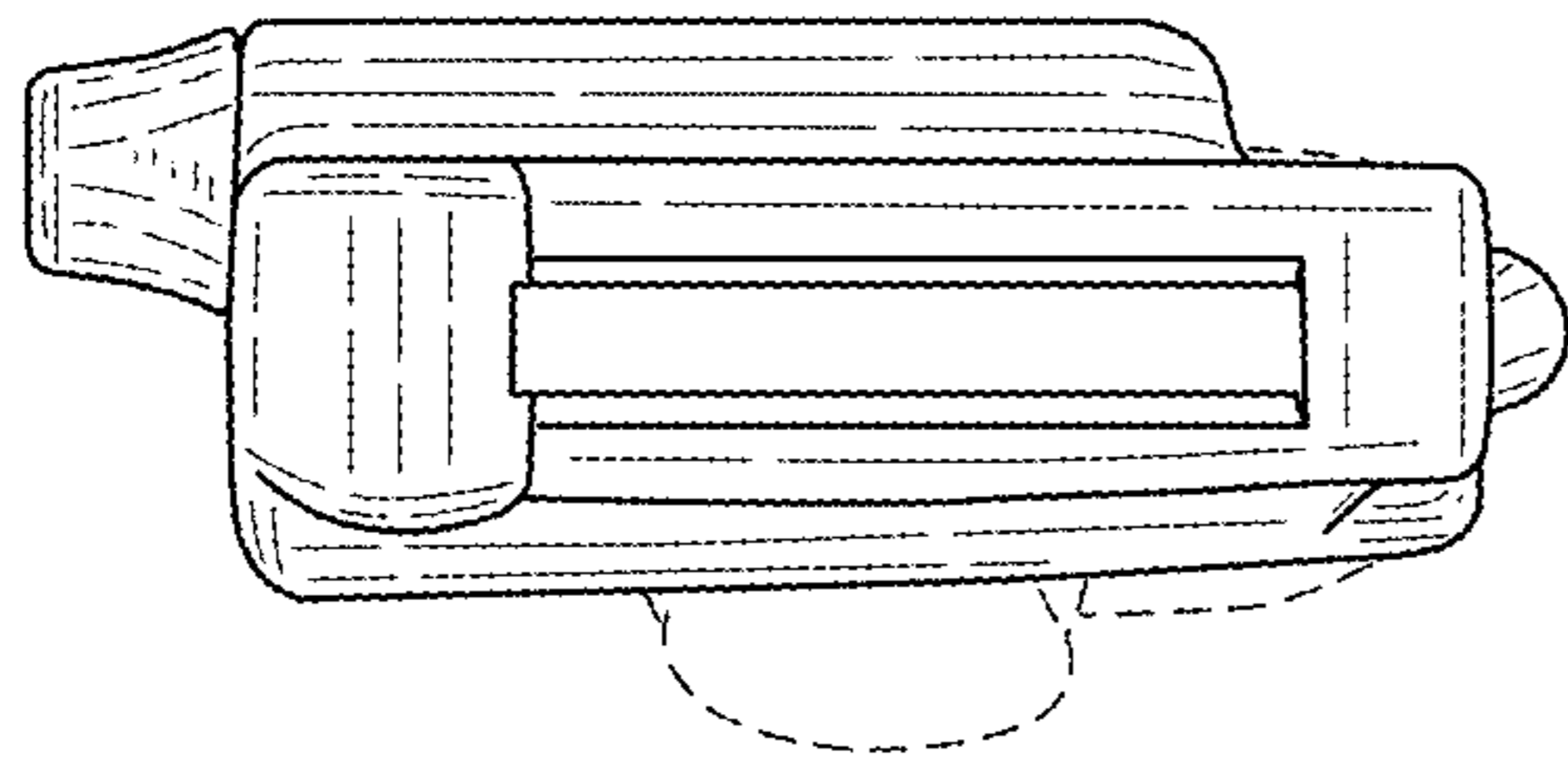


FIG. 26

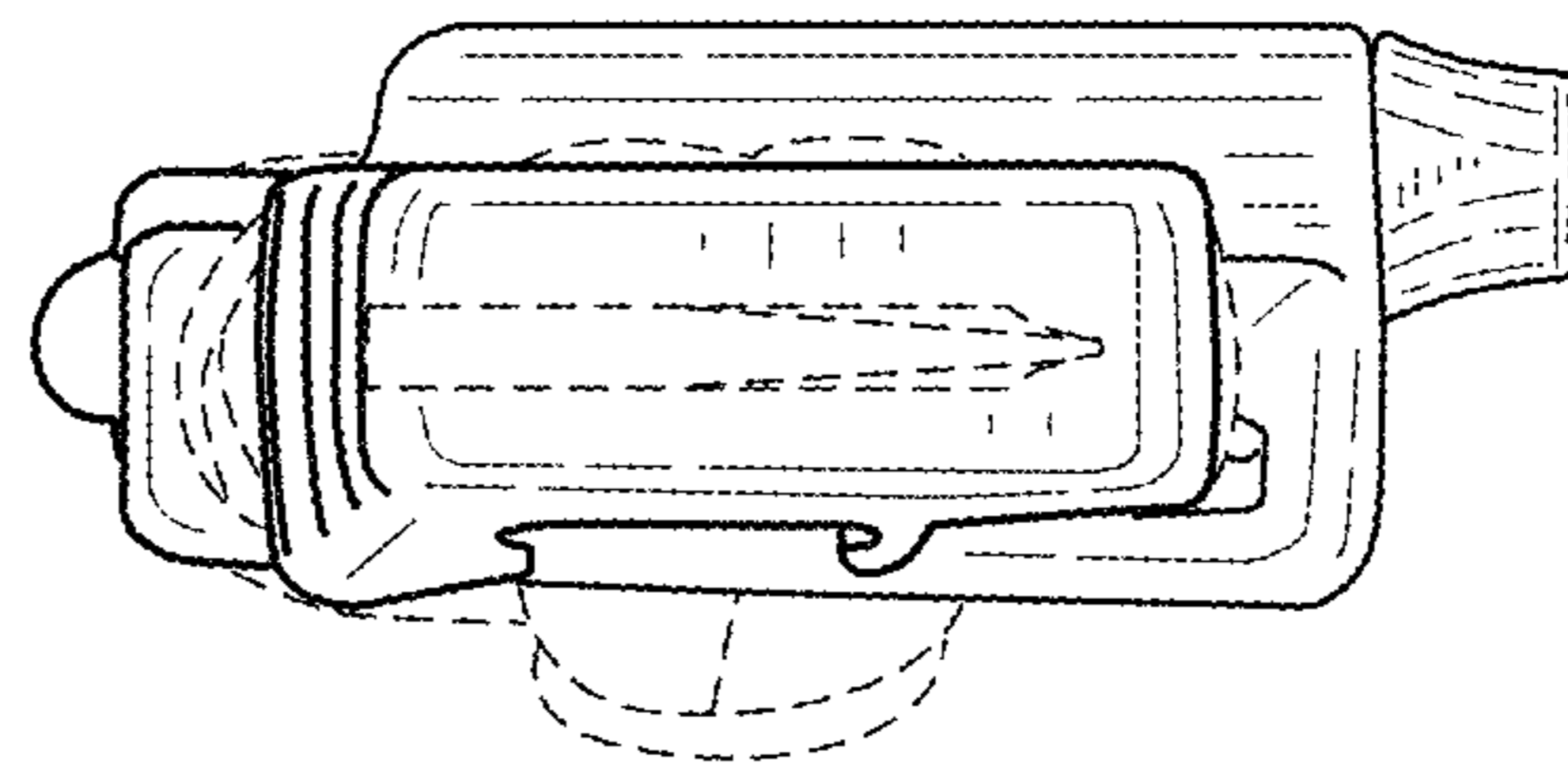


FIG. 27

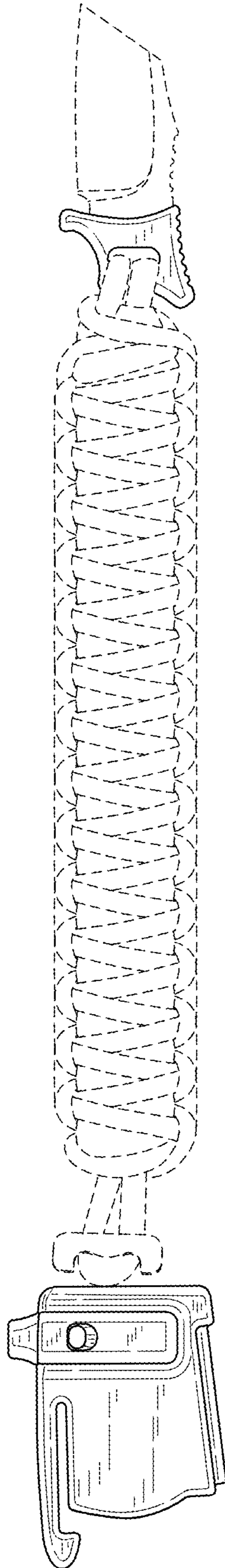


FIG.28

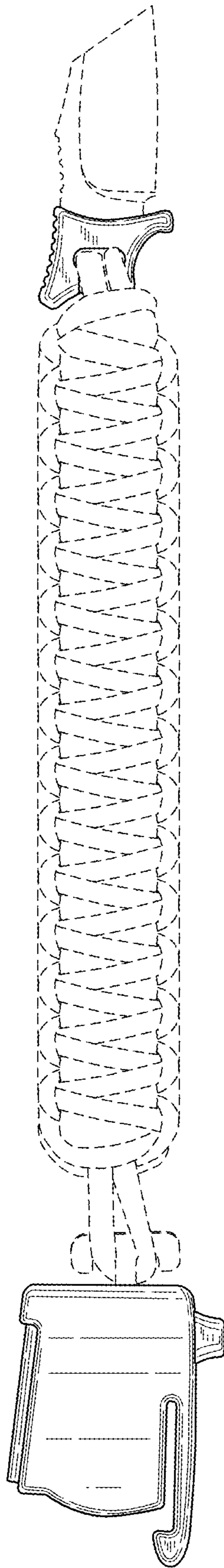


FIG.29