



US00D889233S

(12) **United States Design Patent**  
**Weber**

(10) **Patent No.:** **US D889,233 S**

(45) **Date of Patent:** **\*\* Jul. 7, 2020**

(54) **C-CLAMP**

(71) Applicant: **Tory Weber Innovation Corporation,**  
Calgary (CA)

(72) Inventor: **Tory Weber,** Calgary (CA)

(\*\*) Term: **15 Years**

(21) Appl. No.: **29/671,114**

(22) Filed: **Nov. 22, 2018**

(51) **LOC (12) Cl.** ..... **08-05**

(52) **U.S. Cl.**  
USPC ..... **D8/72**

(58) **Field of Classification Search**  
USPC ..... D8/71-74, 394-399, 59; 248/63, 72,  
248/74.1, 689, 124.2; 81/487, 385, 386,  
81/388-390; 269/3, 4, 6, 143, 165, 240,  
269/243, 246-249, 254 R, 147-149;  
29/256, 257, 276; 408/103, 104-109  
CPC ..... B25B 1/00; B25B 5/00  
See application file for complete search history.

(56) **References Cited**

**U.S. PATENT DOCUMENTS**

D328,846 S \* 8/1992 Sorensen ..... D8/72  
5,197,360 A \* 3/1993 Wooster, Jr. .... B25B 5/068  
269/170  
D376,970 S \* 12/1996 Drake ..... D8/72

D417,377 S \* 12/1999 Blank ..... D8/72  
D480,617 S \* 10/2003 Varzino ..... D8/73  
D489,241 S \* 5/2004 Parham ..... D8/73  
D545,161 S \* 6/2007 Ranieri ..... D8/72  
D597,814 S \* 8/2009 Yang ..... D8/72  
D677,140 S \* 3/2013 Krohmer ..... D8/72  
8,882,093 B2 \* 11/2014 Kuo ..... B25B 5/068  
269/168  
D788,561 S \* 6/2017 Miller ..... D8/72  
D793,835 S \* 8/2017 Cerezo Lotina ..... D8/72  
D850,879 S \* 6/2019 Wong ..... D8/72

\* cited by examiner

*Primary Examiner* — David G Muller

(74) *Attorney, Agent, or Firm* — Ryan W. Dupuis; Ade &  
Company Inc.; Kyle R. Satterthwaite

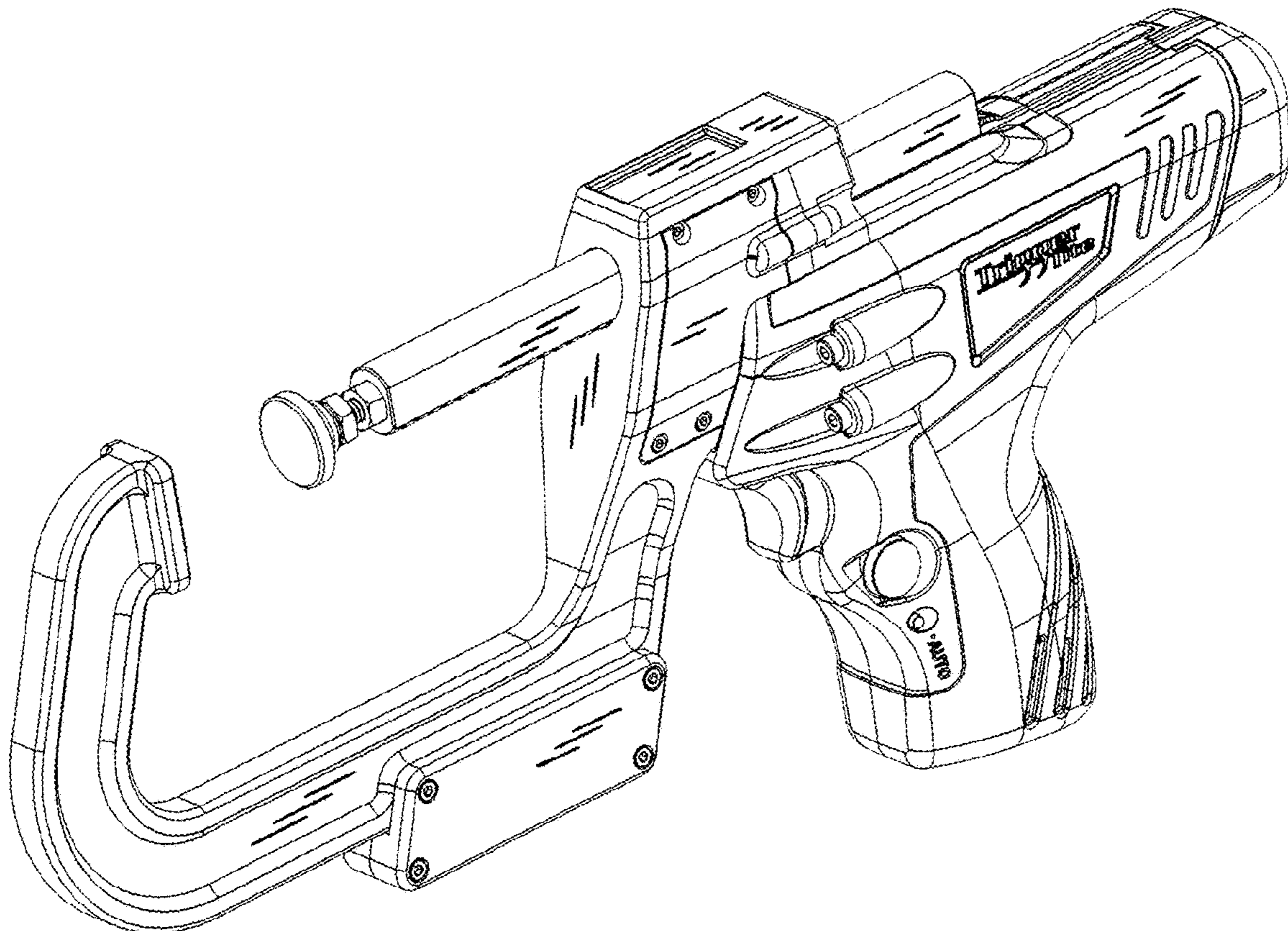
(57) **CLAIM**

The ornamental design for a C-clamp, as shown and described.

**DESCRIPTION**

FIG. 1 is a perspective view of the C-clamp;  
FIG. 2 is a right side elevational view of the C-clamp;  
FIG. 3 is a top view of the C-clamp;  
FIG. 4 is a bottom view of the C-clamp;  
FIG. 5 is a left side elevational view of the C-clamp;  
FIG. 6 is a front elevational view of the C-clamp; and,  
FIG. 7 is a rear elevational view of the C-clamp.

**1 Claim, 7 Drawing Sheets**



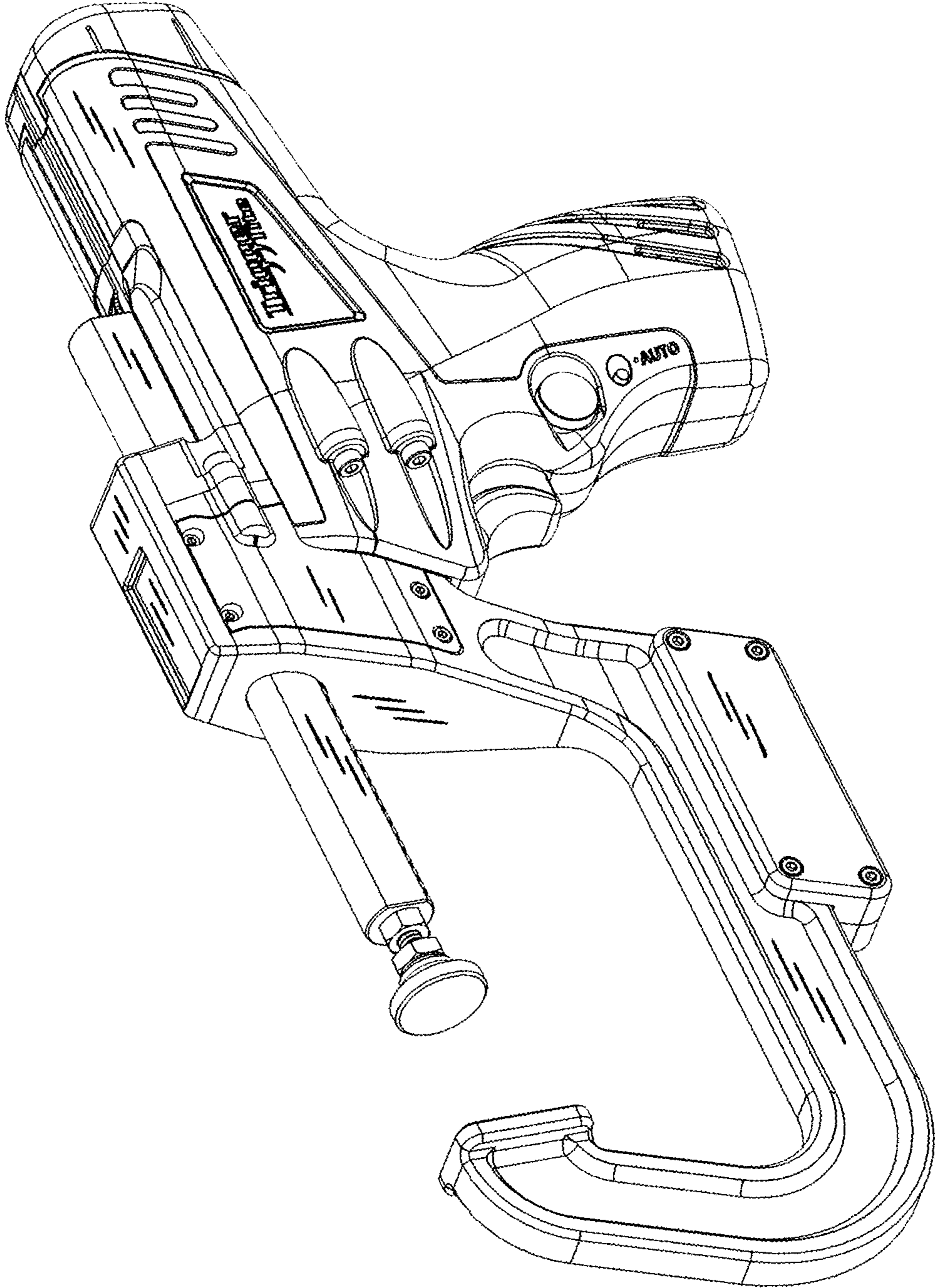


FIG. 1



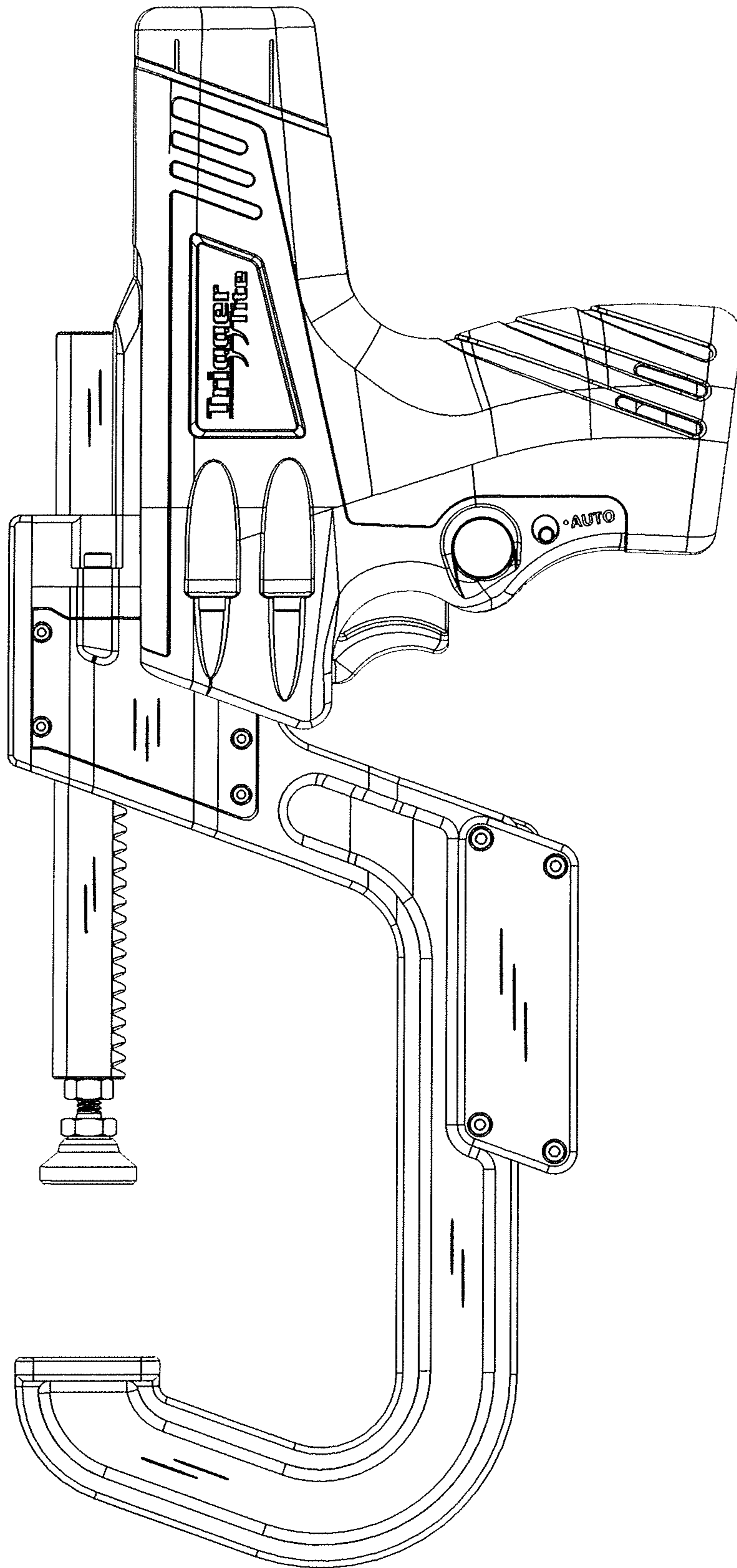


FIG. 2

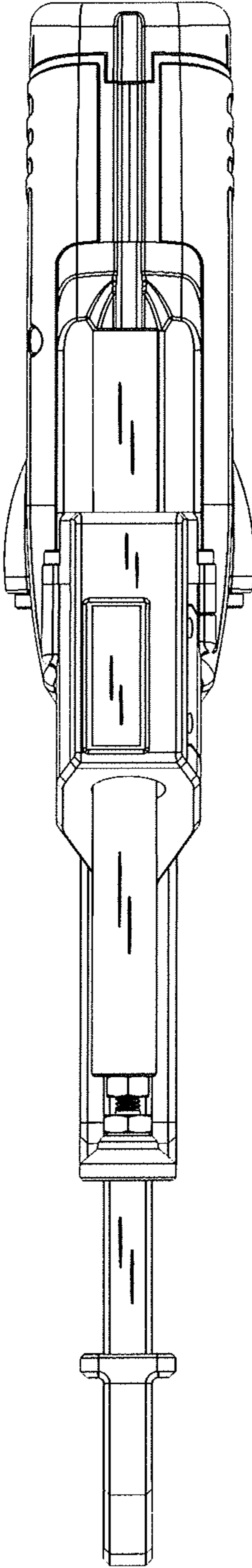


FIG. 3

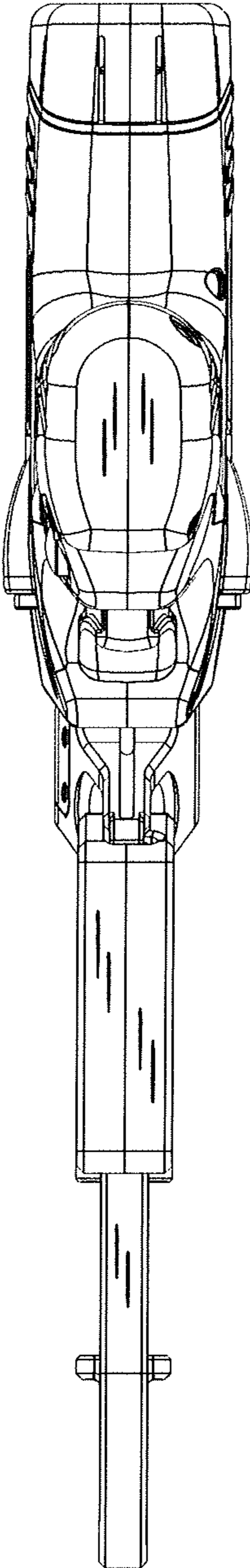


FIG. 4

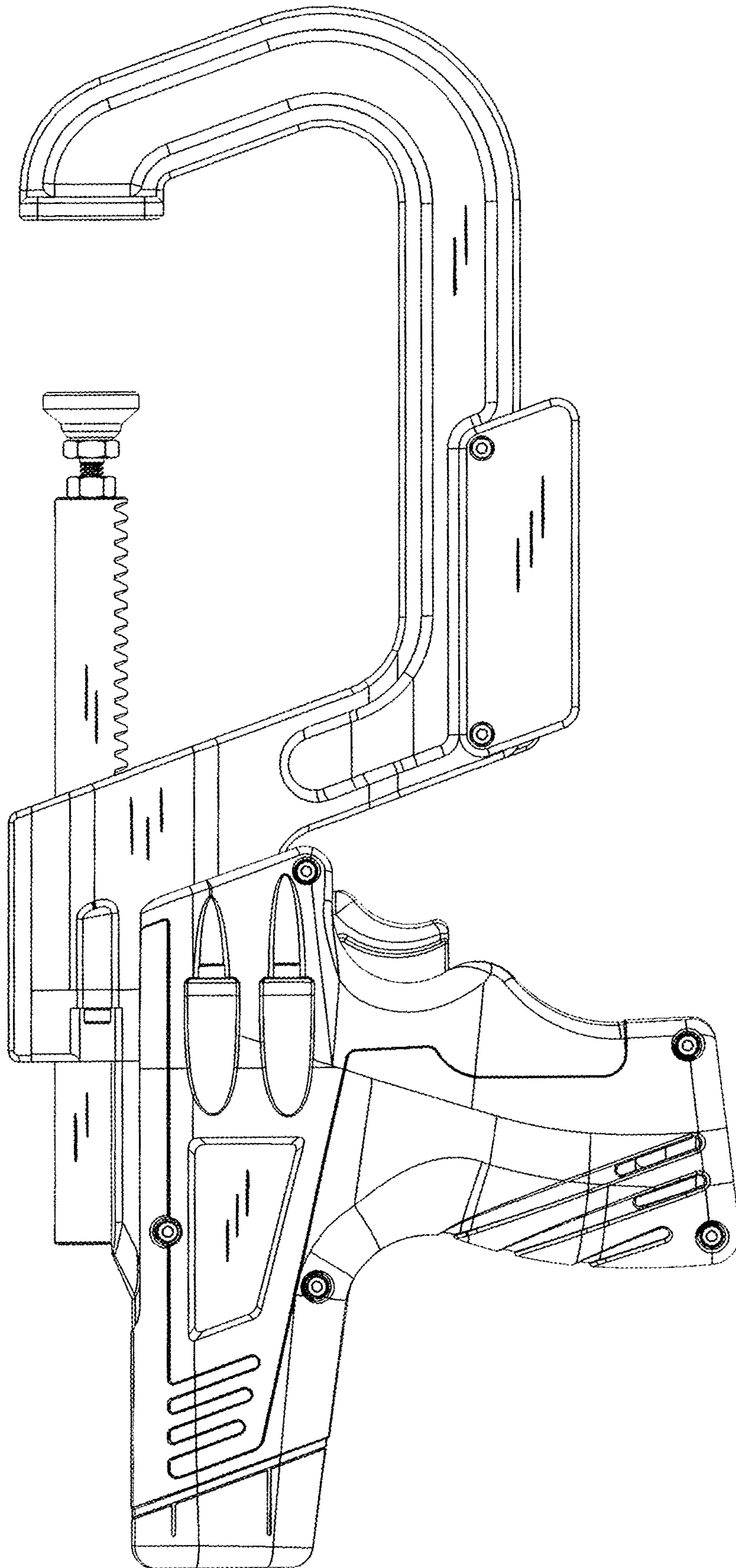


FIG. 5

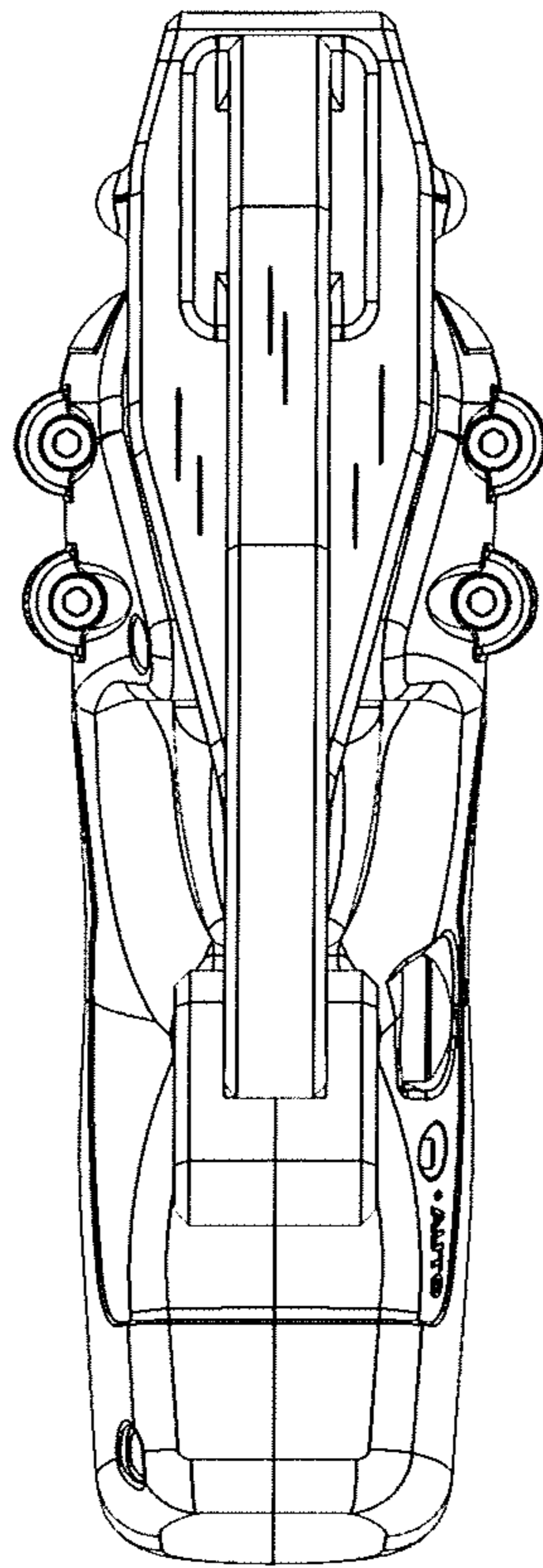


FIG. 6

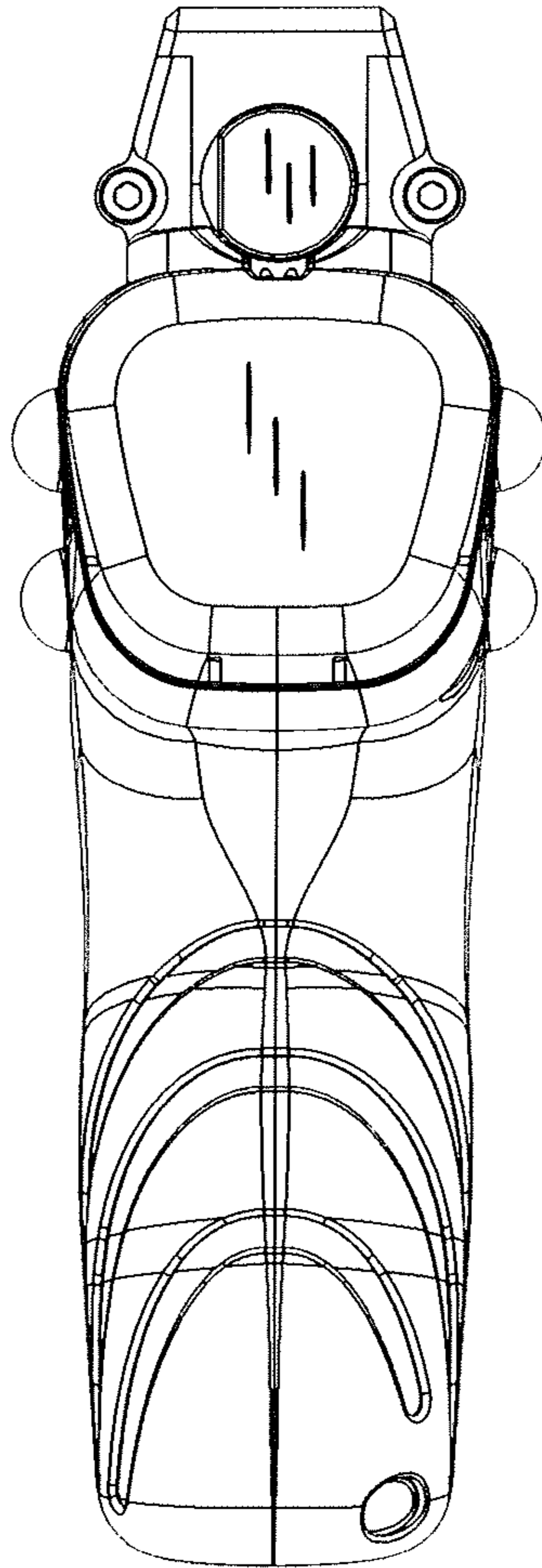


FIG. 7