



US00D889232S

(12) **United States Design Patent**
Qin

(10) **Patent No.:** **US D889,232 S**

(45) **Date of Patent:** **** Jul. 7, 2020**

(54) **CUP TURNER**

(71) Applicant: **Qiaoyuan Qin**, Shenzhen (CN)

(72) Inventor: **Qiaoyuan Qin**, Shenzhen (CN)

(**) Term: **15 Years**

(21) Appl. No.: **29/729,351**

(22) Filed: **Mar. 26, 2020**

(51) **LOC (12) Cl.** **08-05**

(52) **U.S. Cl.**

USPC **D8/71; D8/354**

(58) **Field of Classification Search**

USPC D8/71, 105, 107, 333, 349, 354, 356,
D8/358, 360, 360.1, 367, 373, 382, 383,
D8/394-396, 400; D23/261; D26/38

CPC ... F16H 7/06; F16H 7/12; F16H 55/08; F16H
55/30; E02F 5/06; E02F 5/14

See application file for complete search history.

(56) **References Cited**

U.S. PATENT DOCUMENTS

D362,382 S *	9/1995	Cloud	D8/354
D371,957 S *	7/1996	Hinton	D8/354
D382,463 S *	8/1997	Cloud	D8/354
D478,269 S *	8/2003	Snyder	D23/249
D559,080 S *	1/2008	Boote	D8/354
D571,192 S *	6/2008	Stomp	D8/356
D641,611 S *	7/2011	Minayoshi	D8/354
D691,874 S *	10/2013	Ganski	D8/356
D691,877 S *	10/2013	Ganski	D8/356
D754,919 S *	4/2016	Alarcon	D27/101
2007/0246613 A1 *	10/2007	Kennedy	H02G 3/32 248/56

OTHER PUBLICATIONS

“Cup Turner with On/Off Switch—Cuptisserie Tumbler Turner Kit for Crafts Tumbler Cuptisserie Turner Machine with Rotisserie Motor”, Retrieved Mar. 25, 2020]. Retrieved from Internet, <https://www.amazon.co.uk/Cup-Turner-Off-Switch-Cuptisserie/dp/B07Z4QYSL9/>.

“Belupai DIY Printing Tumbler Turner Cup Rotating Machine Metal Frame Turner with Balance Steering Shaft”, Retrieved Mar. 25, 2020]. Retrieved from Internet, <https://www.amazon.co.uk/Cup-Turner-Off-Switch-Cuptisserie/dp/B07Z4QYSL9/>.

* cited by examiner

Primary Examiner — Janice Hallmark

Assistant Examiner — Harold E Blackwell, II

(57) **CLAIM**

The ornamental design for a cup turner, as shown and described.

DESCRIPTION

FIG. 1 is a perspective view of a cup turner showing my new design;

FIG. 2 is another perspective view thereof;

FIG. 3 is a front elevational view thereof;

FIG. 4 is a rear elevational view thereof;

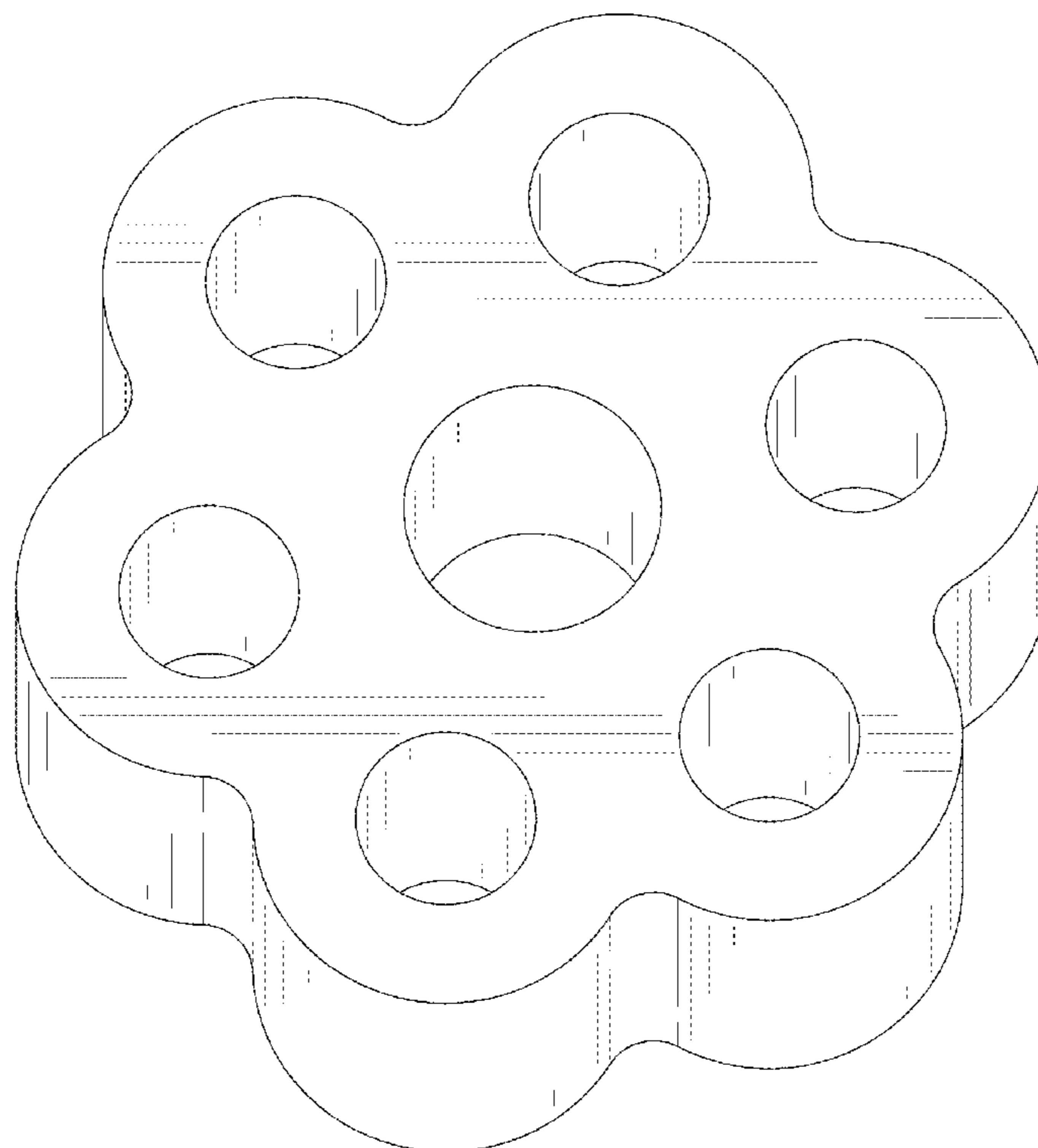
FIG. 5 is a left side elevational view thereof;

FIG. 6 is a right side elevational view thereof;

FIG. 7 is a top plan view thereof; and,

FIG. 8 is a bottom plan view thereof.

1 Claim, 8 Drawing Sheets



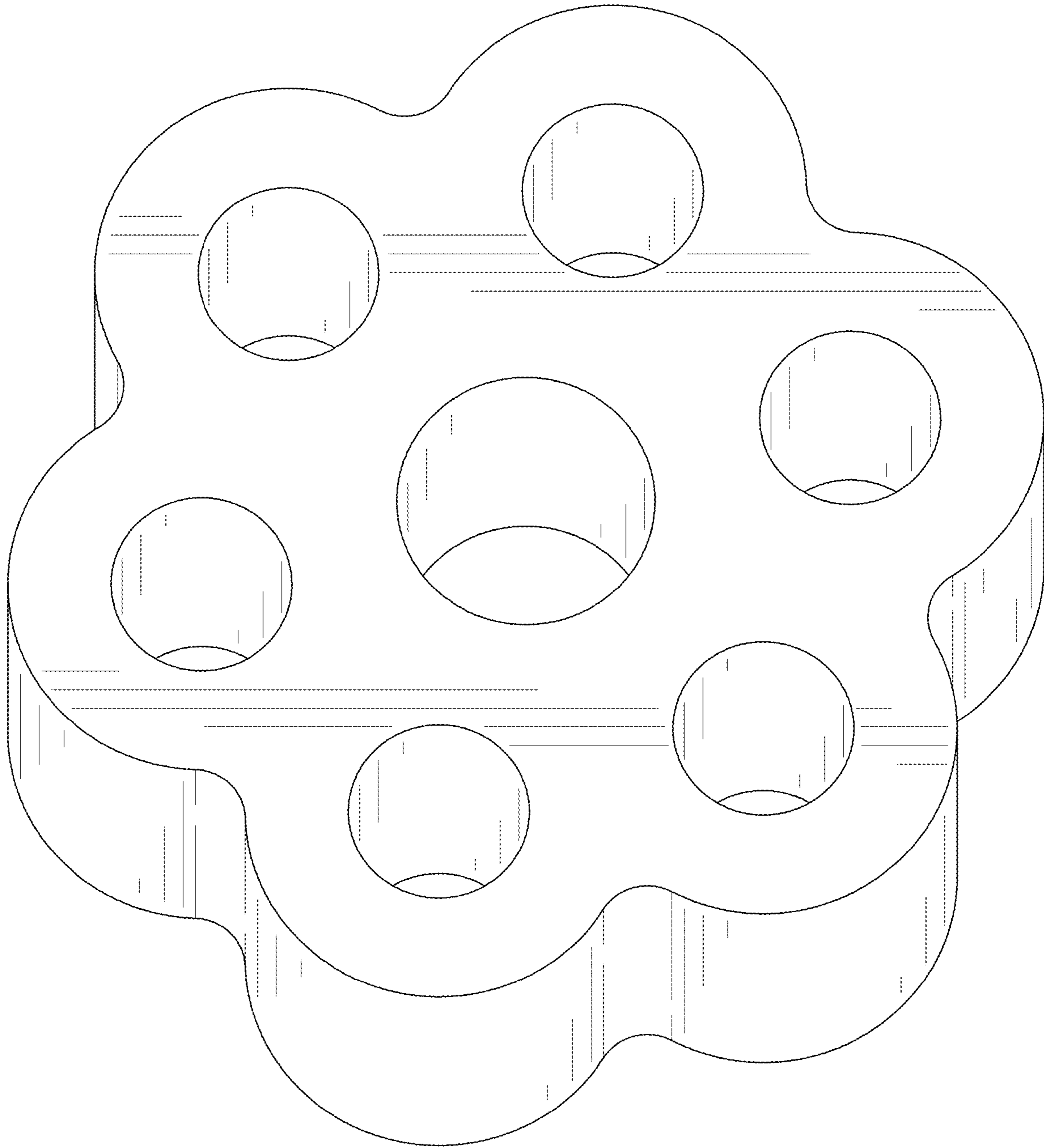


FIG. 1

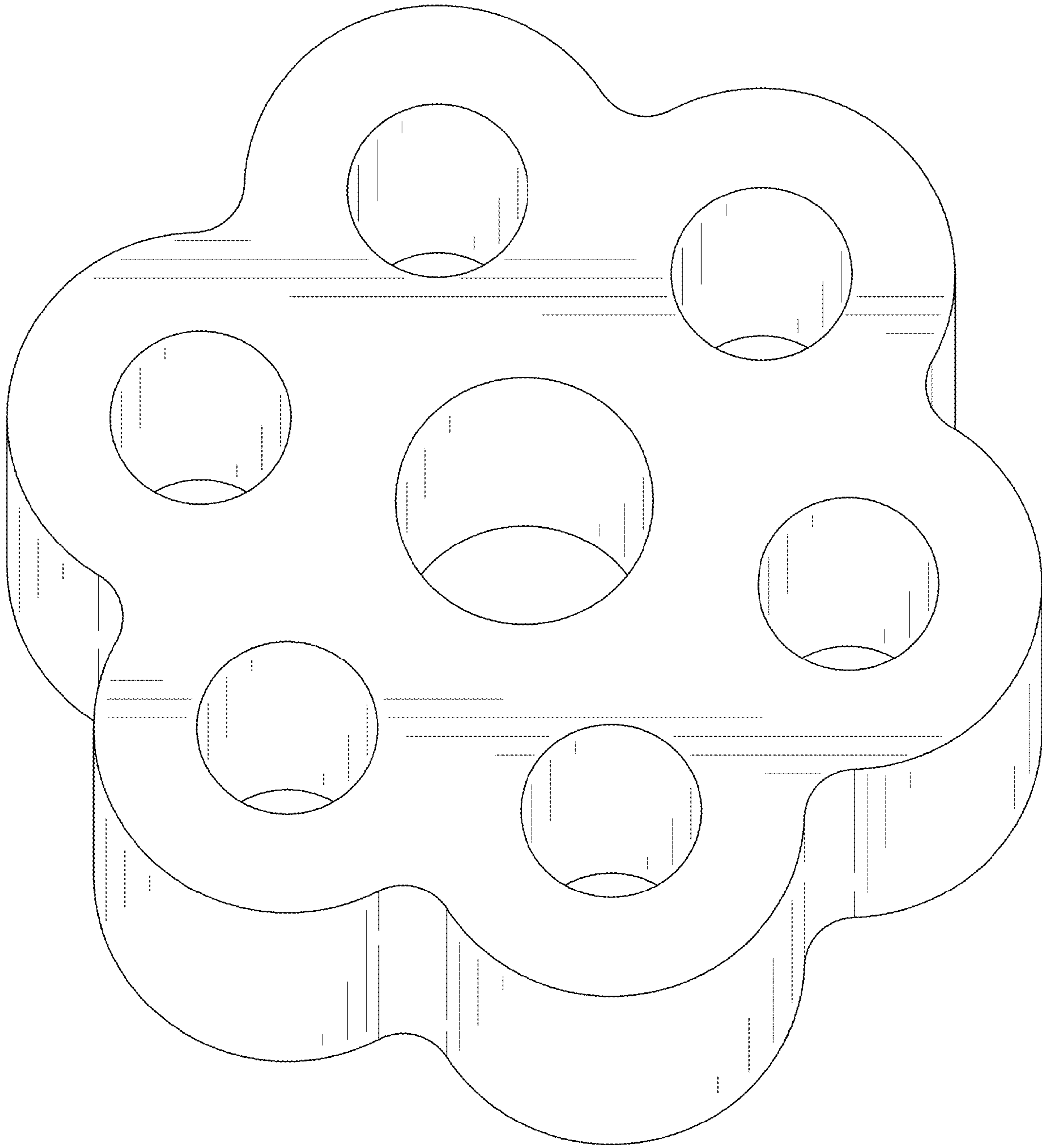


FIG. 2

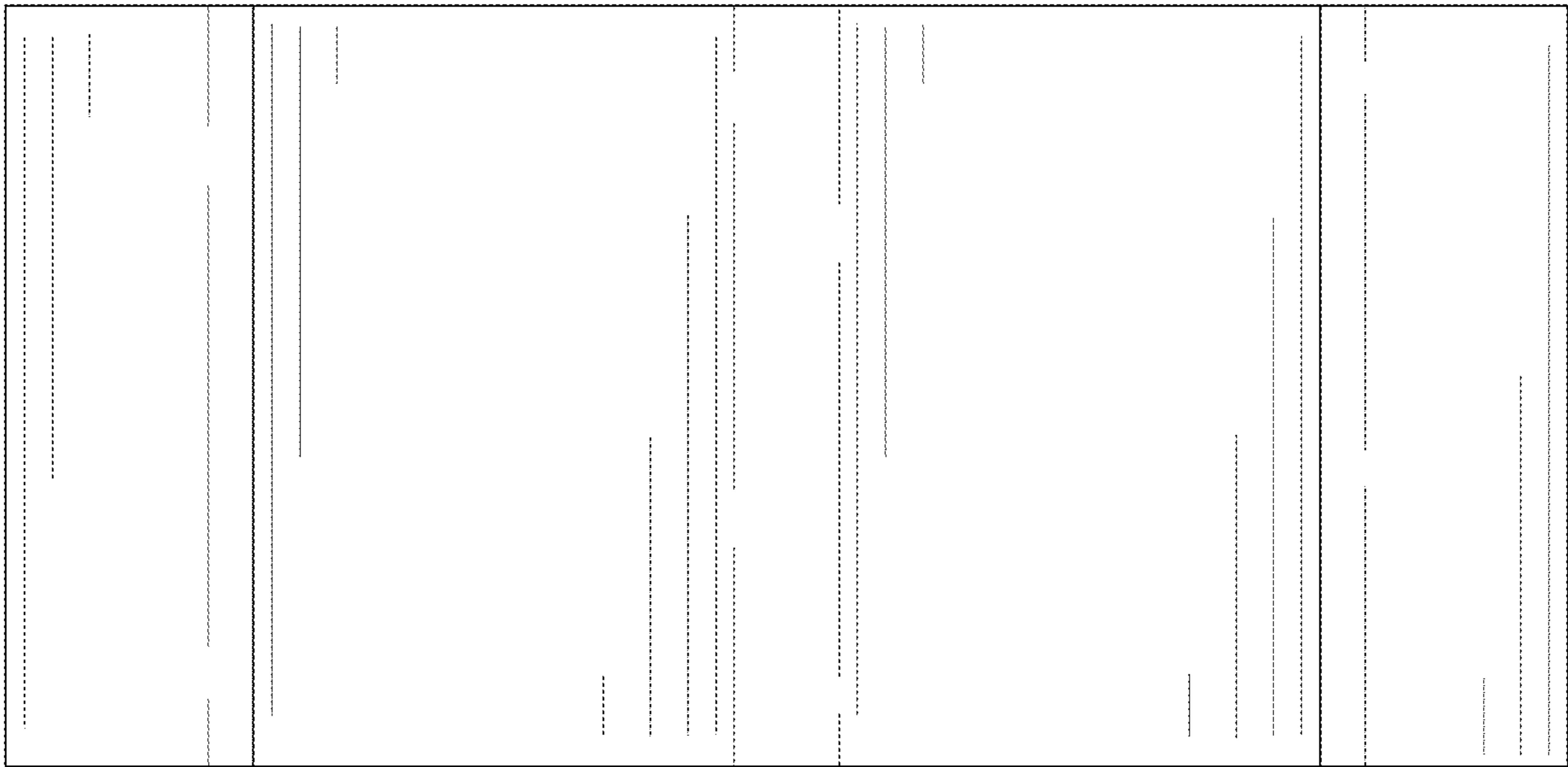


FIG. 3

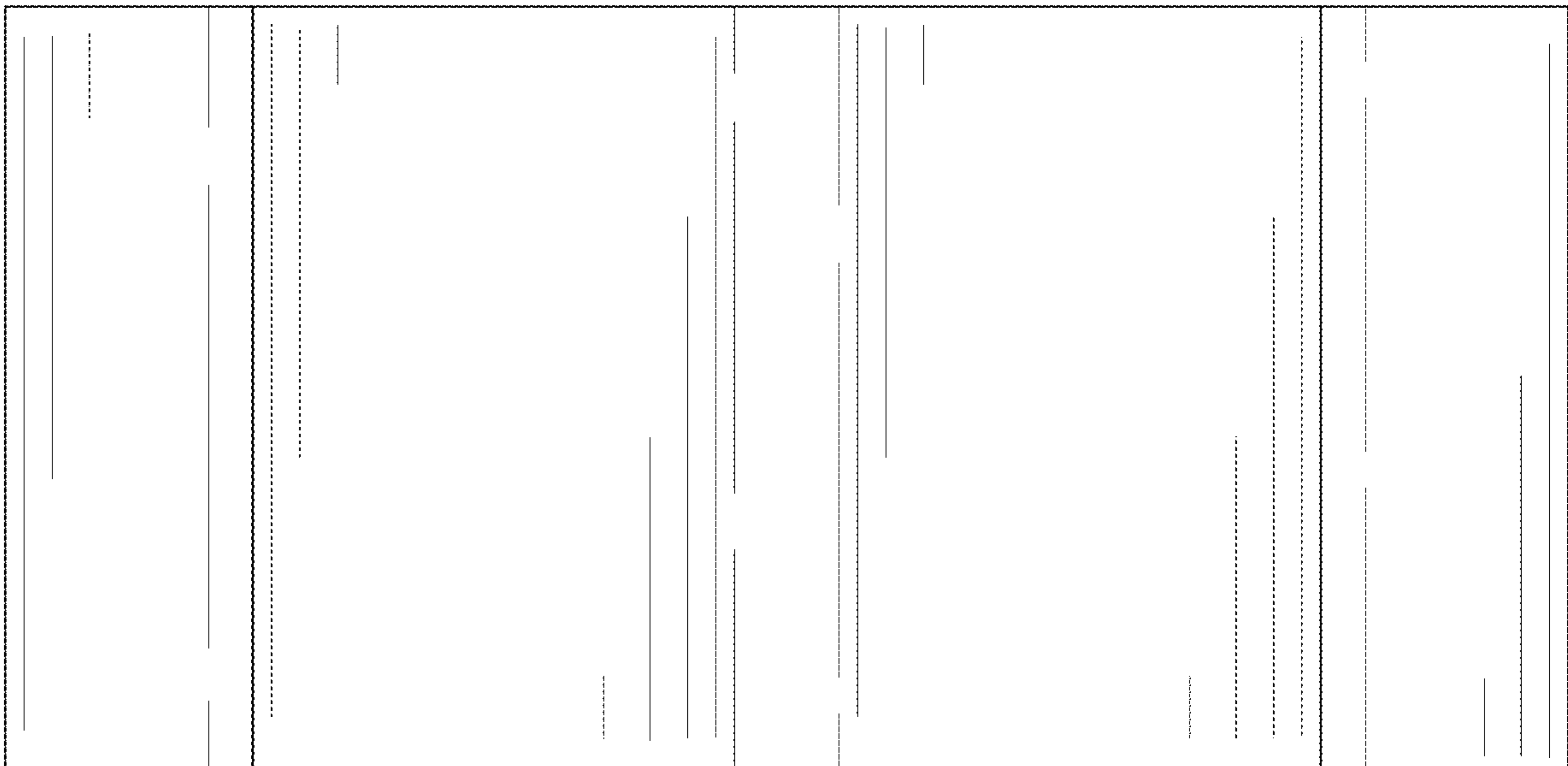


FIG. 4

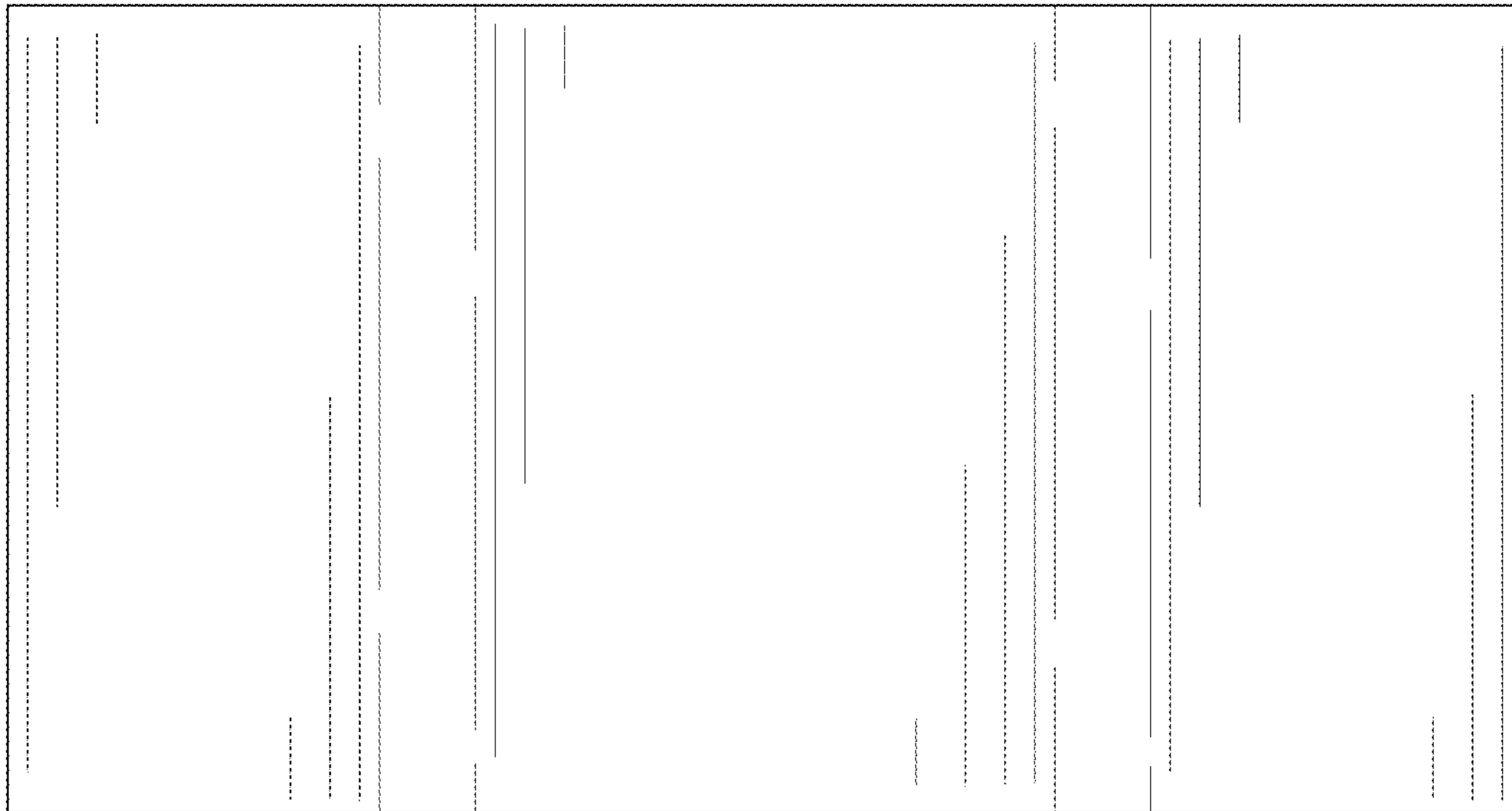


FIG. 5

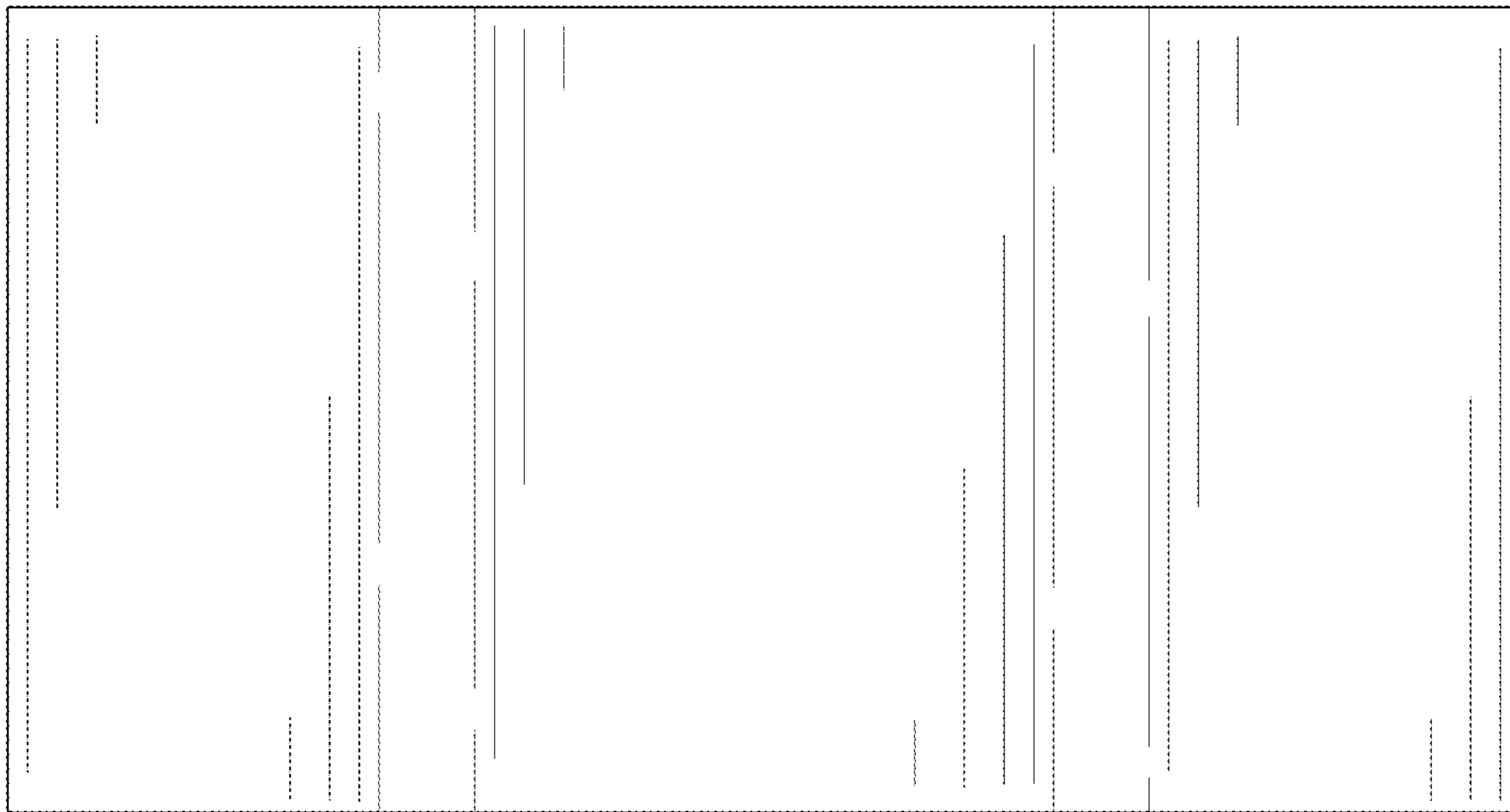


FIG. 6

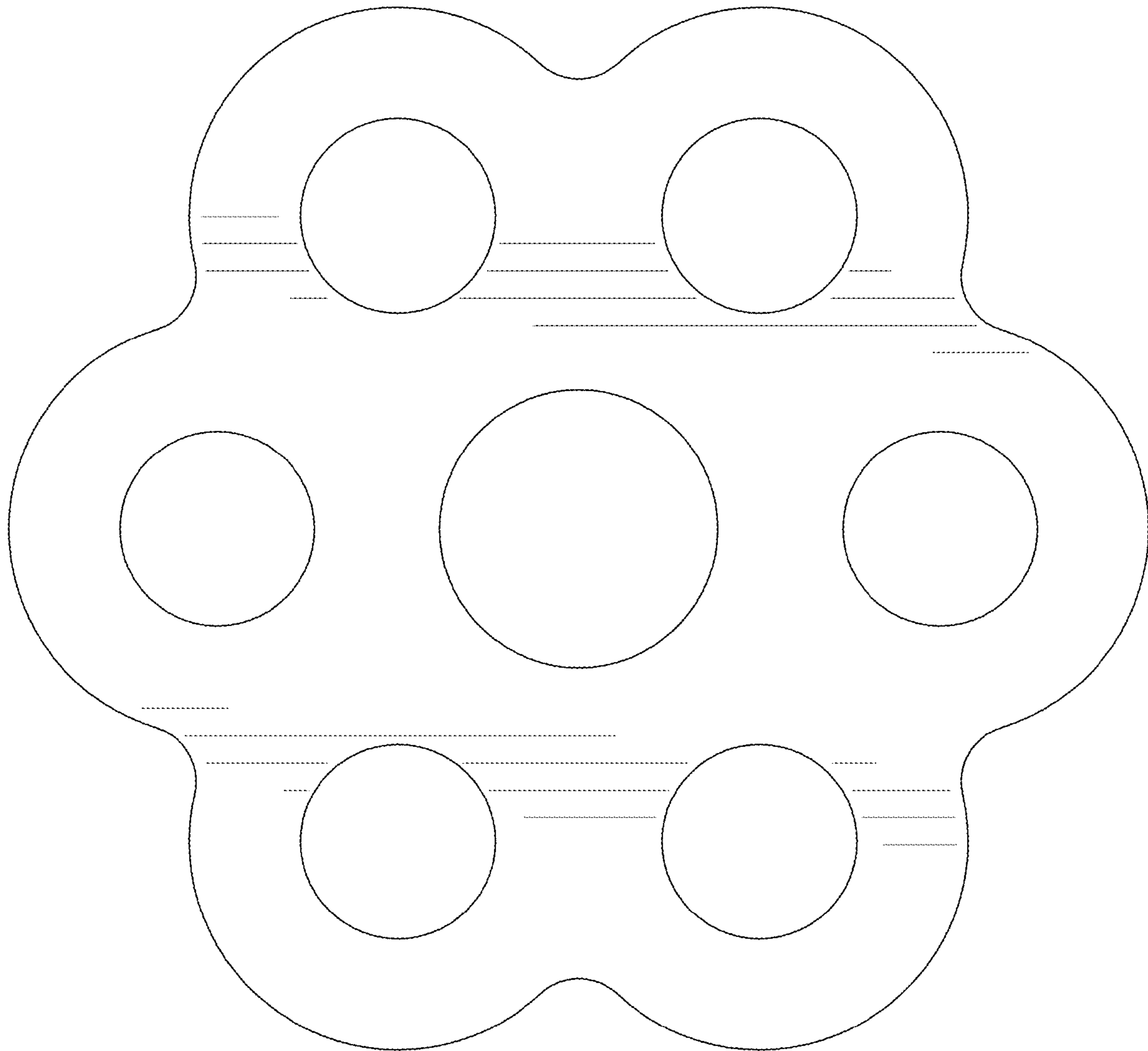


FIG. 7

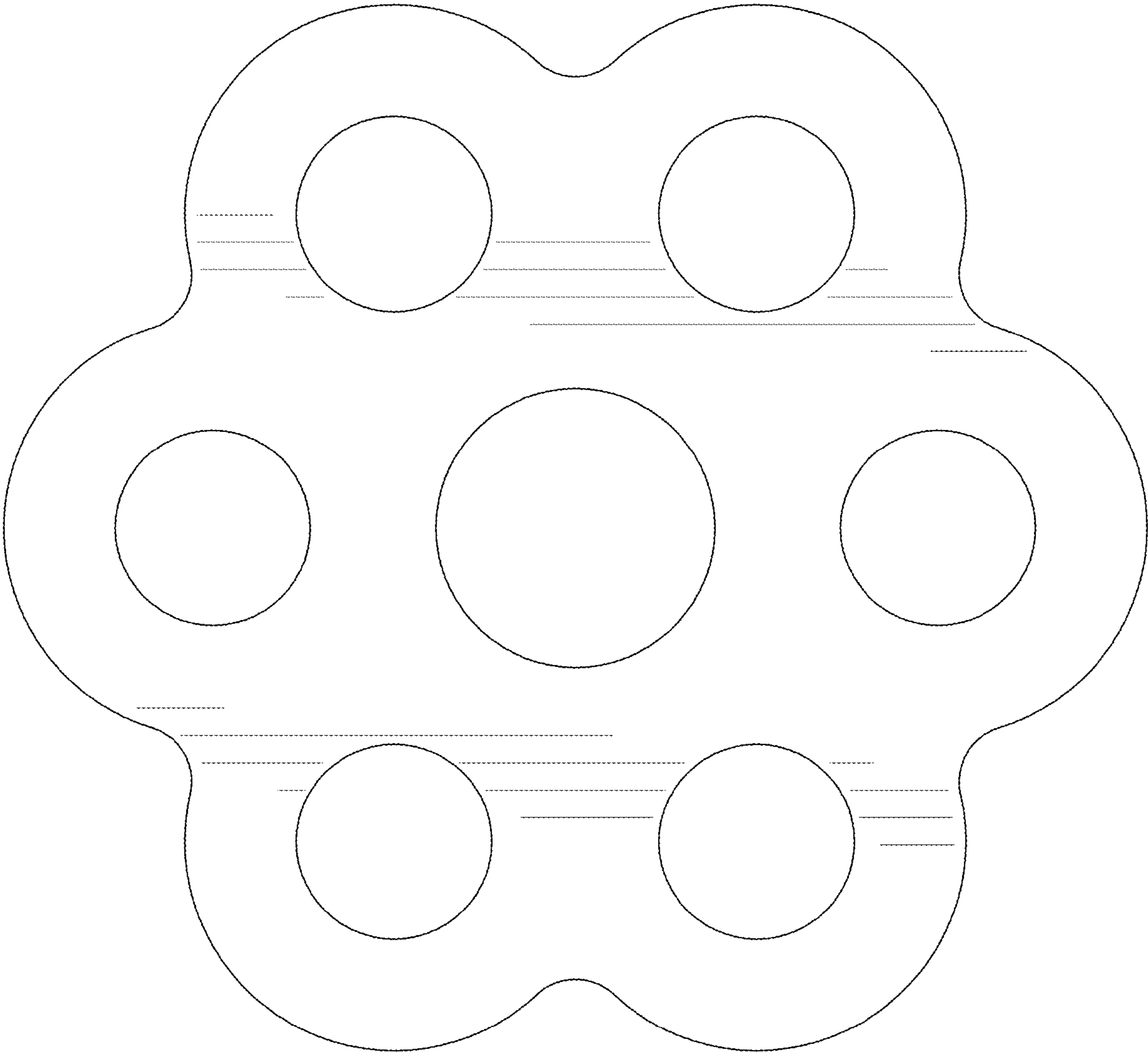


FIG. 8