



US00D889230S

(12) **United States Design Patent**  
**Wilmes et al.**

(10) **Patent No.:** **US D889,230 S**  
(45) **Date of Patent:** **\*\* Jul. 7, 2020**

- (54) **INFLATION GUN**
- (71) Applicant: **Campbell Hausfeld, LLC**, Harrison, OH (US)
- (72) Inventors: **Darrin W. Wilmes**, Cincinnati, OH (US); **Nicholas Steven Hafele**, Cincinnati, OH (US)
- (73) Assignee: **Campbell Hausfeld, LLC**, Harrison, OH (US)
- (\*\*) Term: **15 Years**
- (21) Appl. No.: **29/690,453**
- (22) Filed: **May 8, 2019**

- 4,658,869 A 4/1987 Soon-Fu
  - 4,998,438 A 3/1991 Martin
  - 5,351,562 A 10/1994 Scott
  - 5,590,696 A \* 1/1997 Phillips ..... B60S 5/043  
141/19
  - 5,832,974 A \* 11/1998 Jou ..... B08B 5/02  
141/392
  - 5,878,774 A \* 3/1999 Zanetti ..... B60S 5/043  
137/228
  - 6,145,161 A \* 11/2000 Jou ..... B05B 1/005  
15/331
  - 6,572,000 B2 6/2003 Hirai et al.
  - 6,585,173 B2 7/2003 Schmon et al.
- (Continued)

**Related U.S. Application Data**

- (62) Division of application No. 29/618,077, filed on Sep. 19, 2017, now Pat. No. Des. 863,016.
- (51) **LOC (12) Cl.** ..... **08-05**
- (52) **U.S. Cl.**  
USPC ..... **D8/68**
- (58) **Field of Classification Search**  
USPC ..... D8/61, 67, 68  
CPC .... B62D 23/005; B62D 29/00; B62D 29/043;  
B62D 31/00; B62D 33/046; B60Q 1/0005  
See application file for complete search history.

**References Cited**

**U.S. PATENT DOCUMENTS**

- 1,666,283 A 4/1928 Farley
- 1,933,610 A 11/1933 Wahl
- 2,047,405 A 7/1936 Byars
- 2,501,801 A 3/1950 Wallin
- 2,942,507 A 6/1960 Fischer et al.
- 3,480,087 A 11/1969 Boeger
- 3,482,781 A 12/1969 Sharpe
- 4,116,245 A 9/1978 Ayers

**FOREIGN PATENT DOCUMENTS**

- EP 1247586 A1 10/2002
- WO 200695144 A1 9/2006

*Primary Examiner* — Darlington Ly

(74) *Attorney, Agent, or Firm* — Banner & Witcoff, Ltd.

(57) **CLAIM**

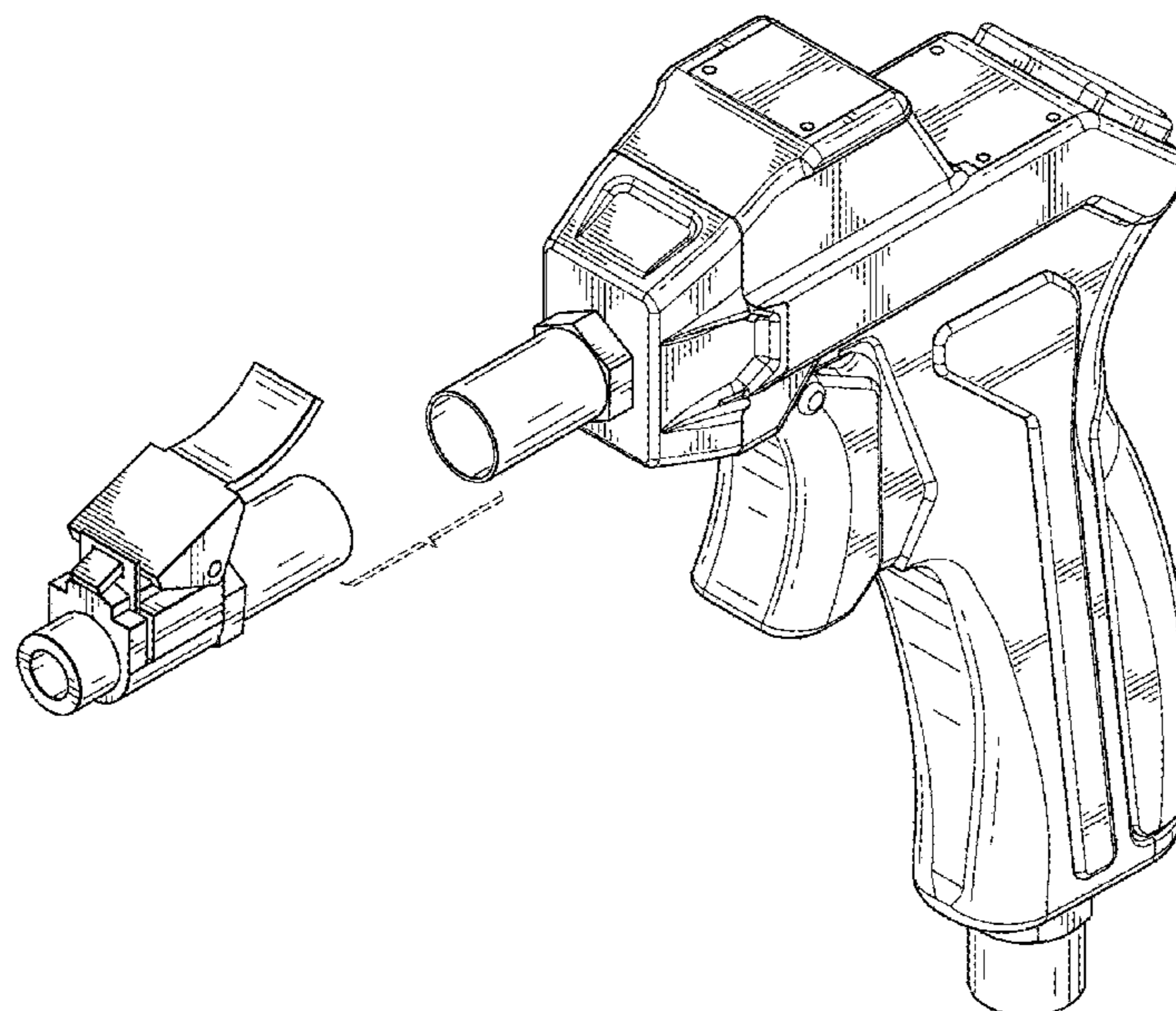
The ornamental design for an inflation gun, as shown and described.

**DESCRIPTION**

FIG. 1 is a top, front, and right side perspective view of an inflation gun showing our new design;  
 FIG. 2 is a top, front, and left side perspective view thereof;  
 FIG. 3 is a front elevation view thereof;  
 FIG. 4 is a rear elevation view thereof;  
 FIG. 5 is a left side elevation view thereof;  
 FIG. 6 is a right side elevation view thereof;  
 FIG. 7 is a bottom plan view thereof; and,  
 FIG. 8 is a top plan view thereof.

The inflation gun is shown with a symbolic break in its length. The appearance of any portion of the article between the break lines forms no part of the claimed design.

**1 Claim, 6 Drawing Sheets**



(56)

**References Cited**

U.S. PATENT DOCUMENTS

|              |      |         |                  |                       |
|--------------|------|---------|------------------|-----------------------|
| 6,698,672    | B1 * | 3/2004  | Linkletter ..... | B05B 1/005<br>239/526 |
| 6,892,921    | B2   | 5/2005  | Beville          |                       |
| 7,017,838    | B2   | 3/2006  | Schmon           |                       |
| 7,021,514    | B2   | 4/2006  | Beville          |                       |
| 7,216,813    | B2   | 5/2007  | Rogers           |                       |
| 7,249,519    | B2   | 7/2007  | Rogers           |                       |
| 7,384,004    | B2   | 6/2008  | Rogers           |                       |
| 7,422,164    | B2   | 9/2008  | Matsumoto        |                       |
| 7,458,270    | B2   | 12/2008 | Kiefer et al.    |                       |
| 7,509,864    | B2   | 3/2009  | Charpie          |                       |
| 8,418,713    | B2   | 4/2013  | Huang            |                       |
| D826,022     | S *  | 8/2018  | Lam .....        | D8/68                 |
| 2010/0006176 | A1 * | 1/2010  | Pansegrouw ..... | B63B 25/24<br>141/10  |
| 2011/0005787 | A1   | 1/2011  | Friberg et al.   |                       |
| 2012/0012671 | A1   | 1/2012  | Brose et al.     |                       |
| 2012/0114505 | A1 * | 5/2012  | Pansegrouw ..... | B60P 7/065<br>417/54  |
| 2018/0216612 | A1 * | 8/2018  | Khubani .....    | F04B 49/022           |

\* cited by examiner

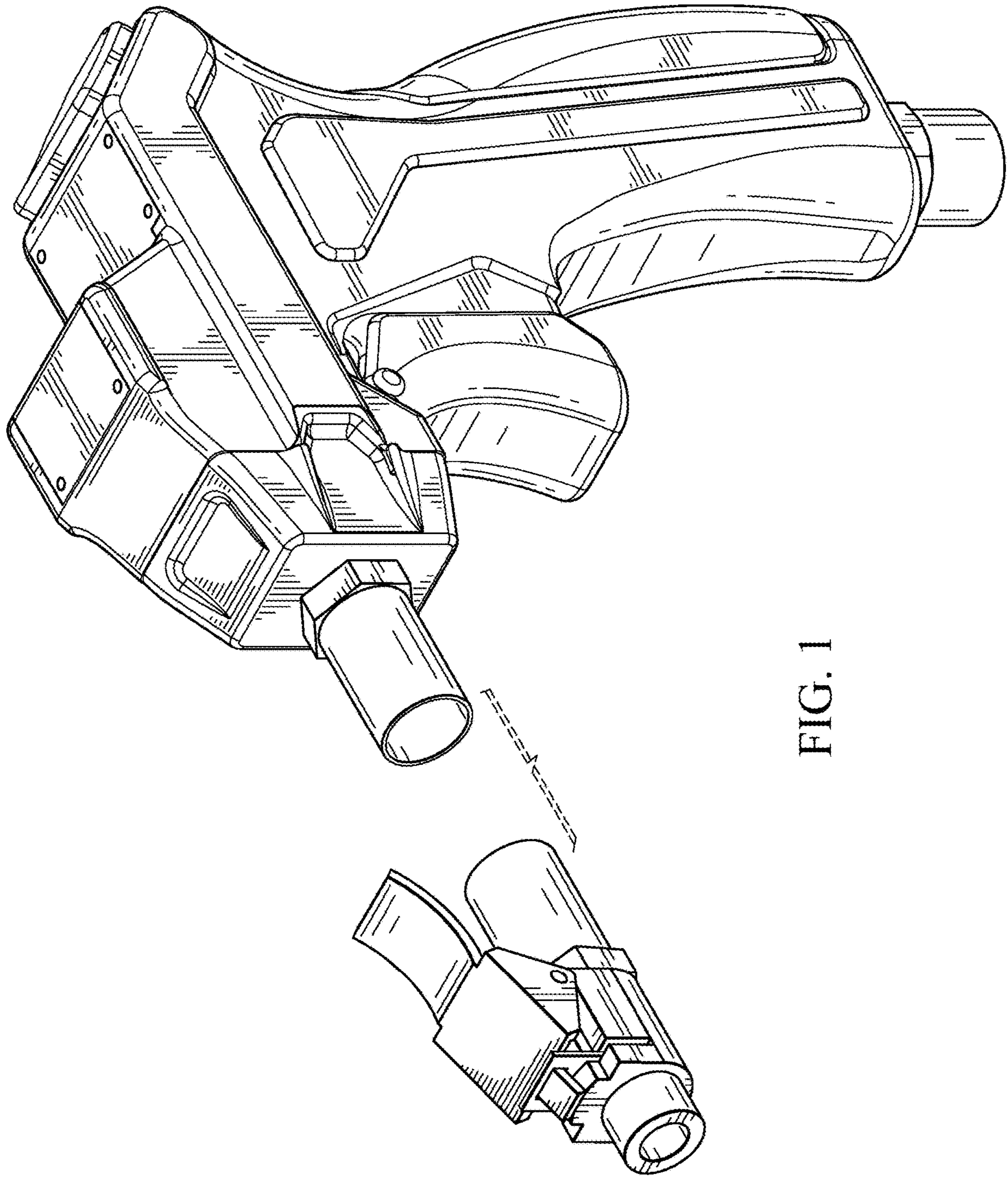


FIG. 1

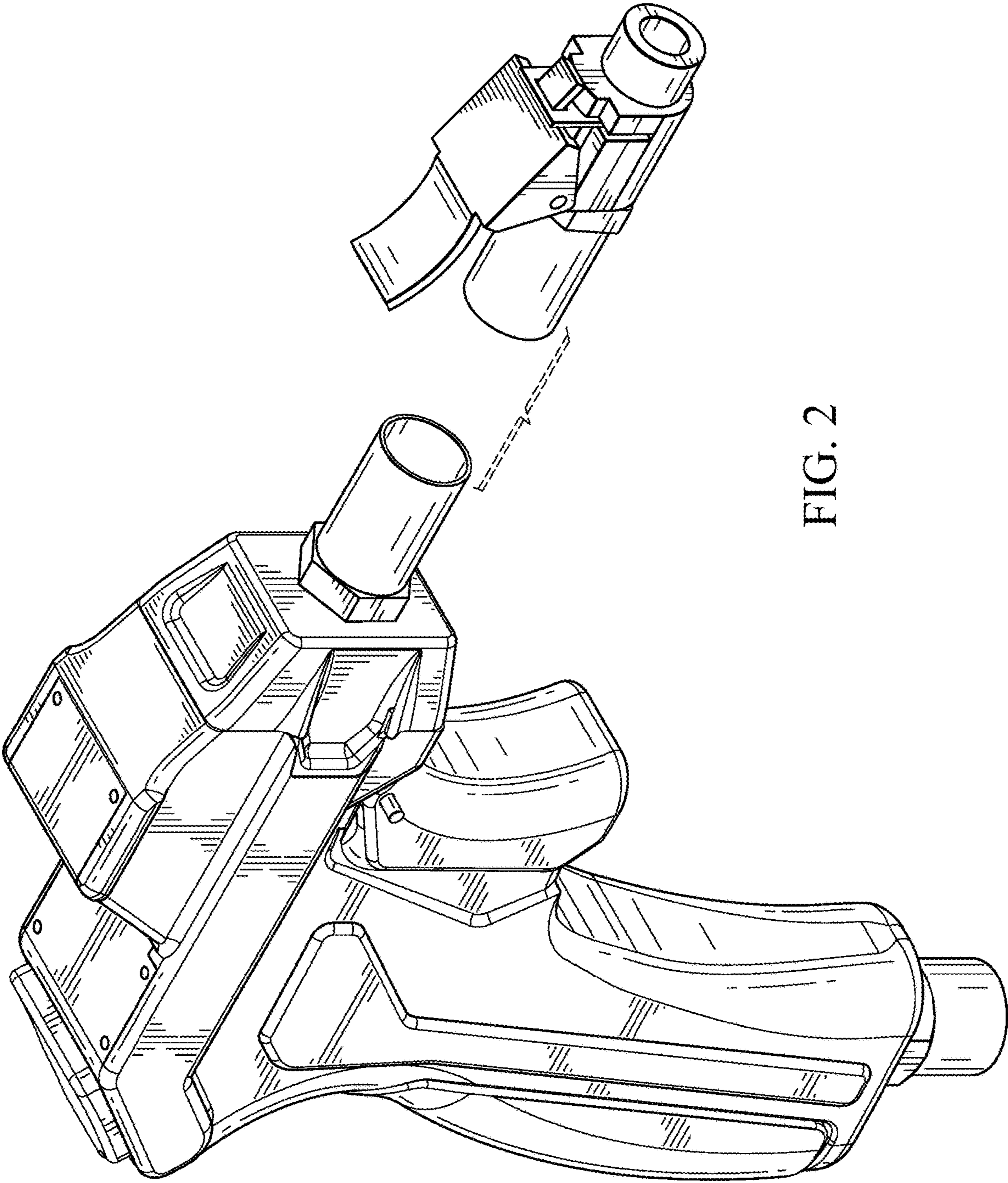


FIG. 2

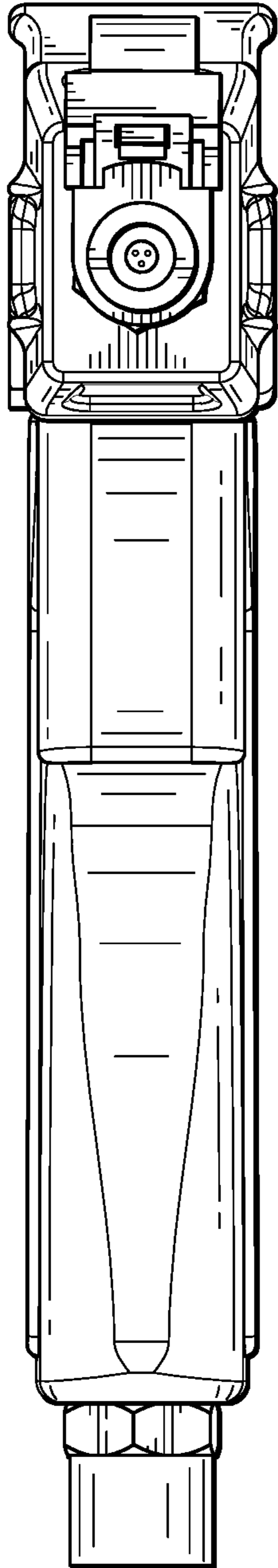


FIG. 3

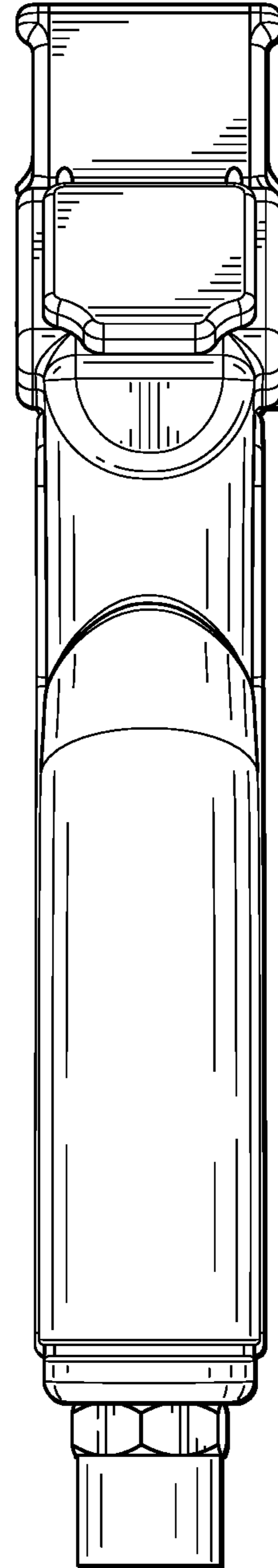
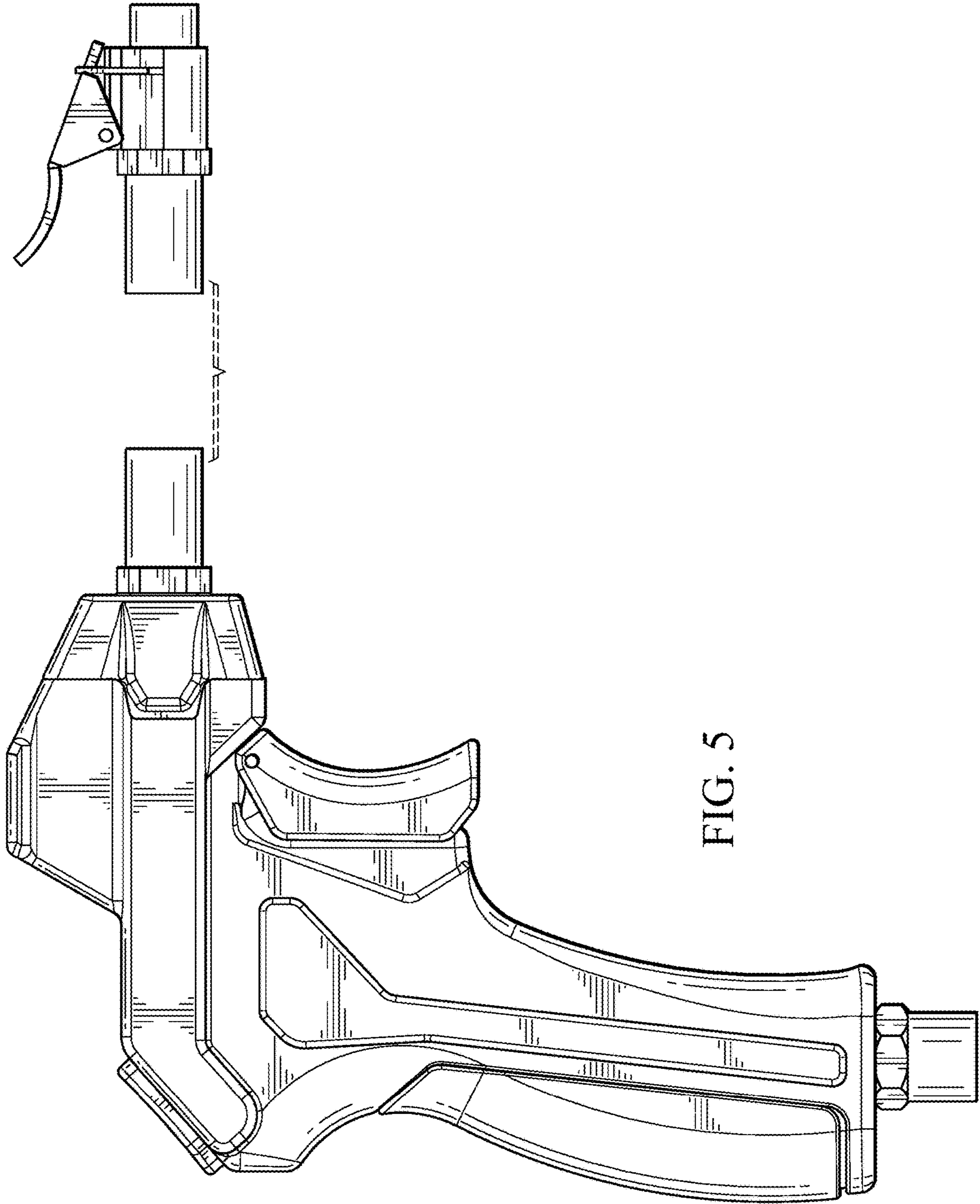


FIG. 4



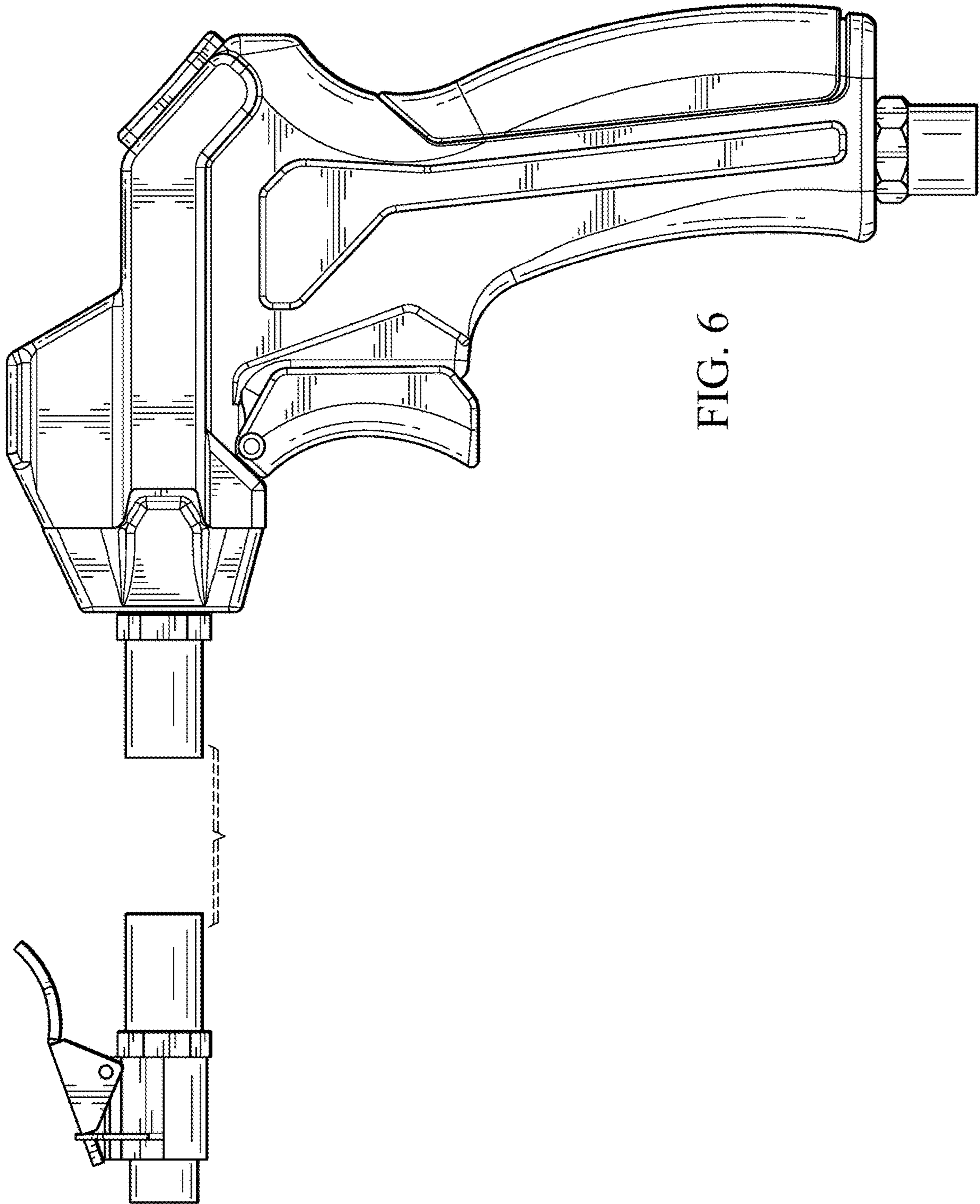


FIG. 6

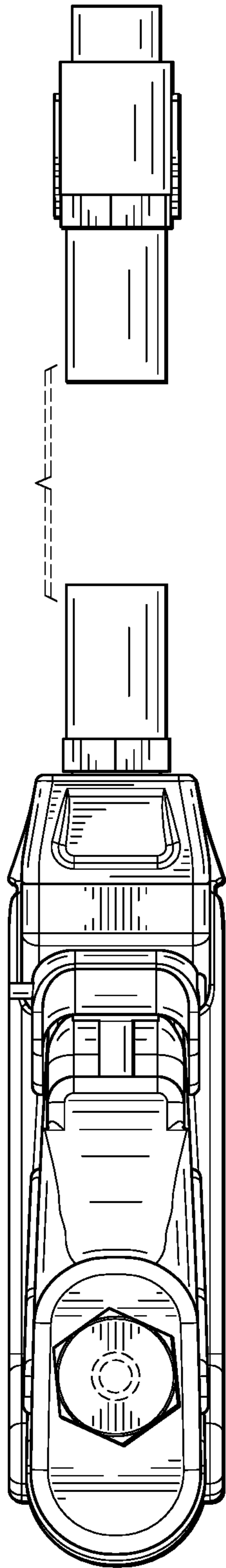


FIG. 7

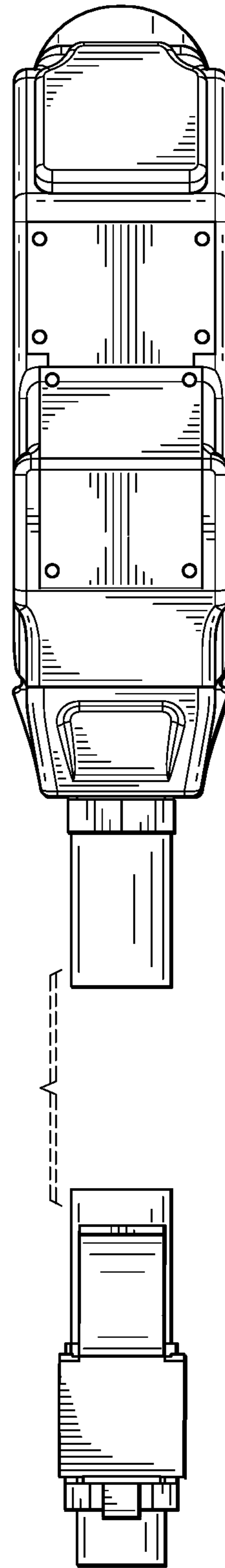


FIG. 8